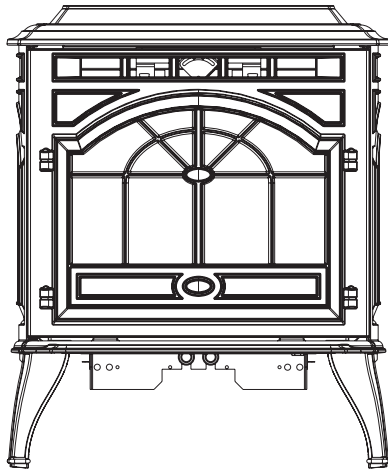


QUADRA-FIRE®



CASTILE GAS STOVE DIRECT VENT ROOM HEATER



Owner's Manual Installation and Operation

Model:

CASTILE-GAS-MBK
CASTILE-GAS-PMH
CASTILE-GAS-CSB
CASTILE-GAS-CWL

Tested and
Listed by  Portland
Oregon USA
OMNI-Test Laboratories, Inc.

CAUTION



• Important operating and maintenance instructions included.

DO NOT DISCARD THIS MANUAL

• Read, understand and follow these instructions for safe installation and operation.

• Leave this manual with party responsible for use and operation.

**DO NOT
DISCARD**

⚠ WARNING: If the information in these instructions is not followed exactly, a fire or explosion may result causing property damage, personal injury, or death.

- Do not store or use gasoline or other flammable vapors and liquids in the vicinity of this or any other appliance.
- **What to do if you smell gas**
 - Do not try to light any appliance. Do not touch any electrical switch. Do not use any phone in your building.
 - Immediately call your gas supplier from a neighbor's phone. Follow the gas supplier's instructions.
 - If you cannot reach your gas supplier, call the fire department.
- Installation and service must be performed by a qualified installer, service agency, or the gas supplier.

⚠ WARNING



HOT SURFACES!

Glass and other surfaces are hot during operation AND cool down.

Hot glass will cause burns.

- Do not touch glass until it is cooled
- NEVER allow children to touch glass
- Keep children away
- CAREFULLY SUPERVISE children in the same room as appliance
- Alert children and adults to hazards of high temperatures

High temperatures may ignite clothing or other flammable materials.

- Keep clothing, furniture, draperies and other combustibles away.

In the Commonwealth of Massachusetts:

- installation must be performed by a licensed plumber or gas fitter.

See Table of Contents for additional Commonwealth of Massachusetts requirements.

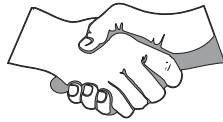


Installation and service of this appliance should be performed by qualified personnel. Hearth & Home Technologies suggests NFI certified or factory-trained professionals, or technicians supervised by an NFI certified professional.

This appliance may be installed as an OEM installation in manufactured home (USA only) or mobile home and must be installed in accordance with the manufacturer's instructions and the manufactured home construction and safety standard, *Title 24 CFR, Part 3280* or *Standard for Installation in Mobile Homes, CAN/CSA Z240MH*.

This appliance is only for use with the type(s) of gas indicated on the rating plate.

Congratulations



and Welcome to the Quadra-Fire Family!

Hearth & Home Technologies welcomes you to our tradition of excellence! In choosing a Quadra-Fire appliance, you have our assurance of commitment to quality, durability, and performance.

This commitment begins with our research of the market, including 'Voice of the Customer' contacts, ensuring we make products that will satisfy your needs. Our Research and Development facility then employs the world's most advanced technology to achieve the optimum operation of our stoves, inserts and fireplaces. And yet we are old-fashioned when it comes to craftsmanship. Each appliance is

meticulously fabricated and gold and nickel surfaces are hand-finished for lasting beauty and enjoyment. Our pledge to quality is completed as each model undergoes a quality control inspection. From design, to fabrication, to shipping: Our guarantee of quality is more than a word, it's Quadra-Fire tradition, and we proudly back this tradition with a Limited Lifetime Warranty.

We wish you and your family many years of enjoyment in the warmth and comfort of your hearth appliance. Thank you for choosing Quadra-Fire.

SAMPLE OF SERIAL NUMBER / SAFETY LABEL LOCATION: HANGING ON A CHAIN ON BACK OF APPLIANCE

MODEL / MODÈLE: CASTILE GAS STOVE Serial No / Numéro du [REDACTED]

Report No. / Rapport Numéro 061-S-645

APPROVED FOR CANADA AND USA TO: ANSI Z21.88-2003 / CSA 2.33b-2003 Vented Gas Fireplace Heaters, and applicable sections of UL307b Gas Burning Heating Appliances for Manufactured Homes and Recreational Vehicles, CAN/CGA 2.43-2003. This appliance is manufactured for use at high altitudes. This appliance is manufactured for operation with Natural Gas. For conversion to propane Manufacturer's Part #LPK-MB and instructions must be used. This appliance may be installed in a bedroom or bed-sitting room; in Canada refer to CAN/CGA 2.43-2003.

APPROUVÉ POUR LE CANADA ET LES ÉTATS-UNIS: ANSI Z21.88b-2003 / CSA 2.33b-2003 Fournaises au Gaz avec Ventilation, et les sections applicables de UL 307b Appareils de Chauffage Au Gaz pour les Maisons et les Véhicules de Loisirs, CAN/CGA 2.43-2003. Cet appareil est manufacturé pour l'opération avec le Gaz Naturel. Pour une conversion au gaz propane les pièces du Manufacturier #LPK-MB et ses instructions doivent être utilisées. Cet appareil peut être utilisé dans une chambre à coucher ou salle de séjour; au Canada, l'installation d'un thermostat à distance est possible.

VENTED GAS FIREPLACE HEATER NOT FOR USE WITH SOLID FUEL
FOURNAISE AU GAZ AVEC VENTILATION NE PAS UTILISER AVEC COMBUSTIBLE SOLIDE

1445 North Highway
www.quadrafire.com

Thermal Efficiency / Efficacité thermique*
81.62% NS (blower on / avec ventilateur allumé)
82.75% LP (blower on / avec ventilateur allumé)
* With Maximum horizontal length. / Avec longueur horizontale maximum.
P.A.1-42 Canada Minimum pipe (P.A.1-42 Le Canada tuyau minimum) 87.33% NS / 86.41% LP

	For use with Natural Gas Usage Au Gaz Naturel 0-2000 FT	For use with Propane Usage Au Gaz Propane 0-2000 FT	
Input Rate on "H" (BTU/hr)	31,000	30,000	Puissance Émise à "H" (BTU/hr)
Input Rate on "LP" (BTU/hr)	22,000	23,000	Puissance Émise à "LP" (BTU/hr)
Maximum Output (BTU/hr)**	29,843	21,519	Puissance Maximum (BTU/hr)**
Main Burner Orifice	1/8"	4/63	Orifice du Brûleur Principal
Minimum Inlet Pressure (Inches W.C.)	4.5"	11"	Pression Minimum de l'Alcove (Pouces W.C.)
Maximum Inlet Pressure (Inches W.C.)	7.0"	14"	Pression Maximum de l'Alcove (Pouces W.C.)
Manifold Pressure on "H" (Inches W.C.)	3.5"	10"	Pression du Collecteur or Écoulement à "H" (pouces W.C.)
**Max Venting, Blower On		14"	Ventilation Maximum, Ventilateur Allumé

This appliance equipped only for altitudes 0-2000' (0-610m) in USA; and in Canada for altitudes 0-2000' (0-610m). In the U.S.A. for Altitudes above 2000', the vent configuration, orifice, or combination of both may need to be changed. See Owner's Manual for information. In Canada, these changes may be required. For altitudes above 2000' in the U.S.A. and Canada, refer to the Owner's Manual for information. Cet appareil est équipé pour les altitudes de 0-2000' (0-610m) aux États-Unis, et au Canada pour les altitudes de 0-2000' (0-610m). Pour les altitudes au-dessus de 2000' aux États-Unis, la configuration du ventilateur, son orifice ou les deux peuvent éventuellement avoir besoin d'être réglés. Voyez le manuel du propriétaire pour les informations sur ces changements.

This appliance must be installed in accordance with local codes, if any (and Commonwealth of Massachusetts approved); if none, follow the National Fuel Gas Code, ANSI Z223.1 or Canadian Installation Codes, CAN/CGA-B149. Install and use only in accordance with manufacturer's installation and operating instructions. NOTE: Have the gas supply line installed in accordance with local building codes by a qualified installer approved and/or licensed as such in your locality. (In the Commonwealth of Massachusetts, installation must be performed by a licensed plumber or gas fitter.) Cet appareil doit être installé en accord avec les codes locaux, s'il y a lieu, et en accord avec les instructions d'installation et d'opération du fabricant. NOTE: Le conduit gaz doit être installé conformément aux codes de construction locaux. L'installation doit être effectuée par un technicien qualifié et/ou muni d'une licence de la province ou du territoire concerné. (Dans la République de Massachusetts, l'installation doit être effectuée par un plombier ou un installateur agréé et/ou licencié à gaz.)

MINIMUM CLEARANCES TO COMBUSTIBLES / ESPACE MINIMUM AUX COMBUSTIBLES
Minimum Clearances required from combustible construction for all appliance surfaces.
Espaces minimums exigés de la construction combustible aux surfaces de l'appareil.

A. Side of stove top to side wall 8-12 in. (216mm)
B. Back of stove to back wall (air shield) 14 in. (36mm)
C. Corner of stove top to side wall 1 in. (25mm)
D. Minimum Alcove Height 54 in. (1372mm)
E. Maximum Alcove Depth 35 in. (914mm)
F. Minimum Alcove Width 40 in. (1016mm)

Du côté du poêle au côté du mur Le contrôle arrière au mur arrière (écran)
Du coin du dessus du poêle au mur de côté Hauteur minimum du plancher au plafond Profondeur maximum de l'alcove Largeur minimum de l'alcove

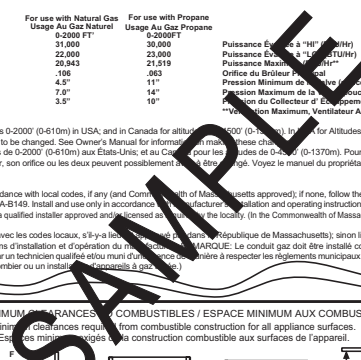
HEARTH: A non-combustible hearth pad is not required. However, the floor beneath the stove must be stable, level, and strong enough to support the stove without a tipping hazard.
CHEMINÉE: Un coussinet non-combustible de cheminée n'est pas exigé. Cependant, le plancher en dessous du poêle doit être droit, à niveau et assez fort pour supporter le poêle sans le hazard de basculer.

Date of Manufacture / Date du Manufacturier

2008 2009 2010 Jan Feb Mar Apr May Jun Jul Aug Sep Oct Nov Dec

DO NOT REMOVE THIS LABEL / NE PAS ENLEVER L'ÉTIQUETTE Made in U.S.A. / Fait Aux États-Unis 7023-111E

Serial Number
Barcode
Model Name
Test Lab & Report No.



Manufactured Date

- TABLE OF CONTENTS -

Section 1: Listing and Code Approvals

- A. Appliance Certifications4
- B. Glass Specifications.....4
- C. BTU Specifications.....4
- D. High Altitude Installations.....4
- E. Non-Combustible Materials.....4
- F. Combustible Materials4
- G. Requirements for the
Commonwealth of Massachusetts5

Section 2: Getting Started

- A. Design & Installation
Considerations6
- B. Tools and Supplies Needed.....6
- C. Inspect Appliance & Components6

Section 3: Appliance Location & Clearances

- A. Selecting Appliance Location.....7
- B. Clearances to Combustibles.....7

Section 4: Termination Locations

- A. Vent Termination Minimum
Clearances.....8

Section 5: Vent Information

- A. Venting Components10
- B. Use of Elbows.....10
- C. Measuring Standards.....10
- D. How to Use the Vent Graph11
- E. Venting Guidelines.....11
- F. Horizontal Termination12
- G. Vertical Termination15

Section 6: Gas Information

- A. Fuel Conversions.....23
- B. Gas Pressures.....25
- C. Gas Connection.....25

Section 7: Electrical Information

- A. Recommendation for Wire27
- B. Connecting to the Appliance27
- C. Standing Pilot Ignition System Wiring ..27

Section 8: Appliance Setup

- A. Remove Shipping Materials29
- B. Accessories.....29
- C. Top to Rear Conversion29
- D. Baffle Installation/Adjustment.....30
- E. Leg Leveling System.....30
- F. Positioning the Logs.....31
- G. Mineral Wool31
- H. Opening the Front Door31
- I. Glass Door Assembly32
- J. Blower Installation32
- K. Damper Adjustment34
- L. Shutter Adjustment34

Section 9: Operating Instructions

- A. Before Lighting Appliance35
- B. Controls.....35
- C. Lighting Appliance.....36
- D. After Appliance is Lit37
- E. Frequently Asked Questions.....37

Section 10: Troubleshooting38

Section 11: Maintaining & Servicing Appliance

- A. Maintenance Tasks41

Section 12: Reference Materials

- A. Appliance Dimension Diagram42
- B. Vent Components Diagram43
- C. Vent Components List44
- D. Service Parts List.....46
- E. Accessories50
- F. Warranty Policy.....51
- G. Contact Information52

1

Listing and Code Approvals

A. Appliance Certification

MODEL:	Castile Gas Stove
LABORATORY:	OMNI Test Laboratories, Inc. 061-S-64-5
TYPE:	Direct Vent Gas Heater
STANDARD:	ANSI Z21.88b-2003 · CSA 2.33b-2003 · UL307b · CAN/CBA 2.17-M91

The product is listed to ANSI standards for "Vented Gas Appliance Heaters" and applicable sections of "Gas Burning Heating Appliances for Manufactured Homes and Recreational Vehicles" and "Gas Fired Appliances for use at High Altitudes".

Manufactured Home or Mobile Home installation may occur only after the home is site located and must conform with the Manufactured Home Construction and Safety Standard, Title 24 CFR, Part 3280, or, when such a standard is not applicable, the Standard for Manufactured Home Installations, ANSI/NCSBCS A225.1, or Standard for Gas Equipped Recreational Vehicles and Mobile Housing, CSA Z240.4.

When installed, the appliance must be electrically grounded in accordance with local codes or, in the absence of local codes, with the National Electrical Code, ANSI/NFPA 70, or the Canadian Electrical Code, CSA C22.1.

B. Glass Specifications

This appliance is equipped with 5mm ceramic glass. Replace glass only with 5mm ceramic glass. Please contact your dealer for replacement glass.

NOTE: This installation must conform with local codes. In the absence of local codes you must comply with the **National Fuel Gas Code, ANSI Z223.1-latest edition** in the U.S.A. and the **CAN/CGA B149 Installation Codes** in Canada.



WARNING

Do NOT use this appliance if any part has been under water. Immediately call a qualified service technician to inspect the unit and to replace any part of the control system and any gas control which has been under water.

C. BTU Specifications

Model <i>(US or Canada)</i>	Maximum Input BTU	Minimum Input BTU	Orifice Size (DMS)	*Efficiency Up To	**P.4 %
Castile Gas Stove (NG)	31,000	22,000	.106	81.43	57.33
Castile Gas Stove (LP)	30,000	23,000	.063	82.75	56.41

*Maximum Vent Blower On

**Canada Only

D. High Altitude Installations

Omni-Test Laboratories listed gas appliances are tested and approved without requiring changes for elevations from 0 to 2000 feet in the U.S.A. and 0 to 4500 feet in Canada.

When installing this appliance at an elevation above 2000 feet, it may be necessary to decrease the input rating by changing the existing burner orifice to a smaller size. Input rate should be reduced by 4% for each 1000 feet above a 2000 foot elevation in the U.S.A. If the heating value of the gas has been reduced, these rules do not apply. To identify the proper orifice size, check with the local gas utility.

If installing this appliance at an elevation above 4500 feet (in Canada), check with local authorities.

E. Non-Combustible Materials

Materials that are reported as passing ASTM E 136, Standard Test Method for Behavior of Materials in a Vertical Tube Furnace at 750°C, shall be considered non-combustible materials.

F. Combustible Materials

Materials made of or surfaced with wood, compressed paper, plant fibers, plastics, or other materials that can ignite and burn, whether flame proofed or not, or whether plastered or unplastered shall be considered combustible materials.

NOTE: The following requirements reference various Massachusetts and national codes not contained in this document.

G. Requirements for the Commonwealth of Massachusetts

For all side wall horizontally vented gas fueled equipment installed in every dwelling, building or structure used in whole or in part for residential purposes, including those owned or operated by the Commonwealth and where the side wall exhaust vent termination is less than seven (7) feet above finished grade in the area of the venting, including but not limited to decks and porches, the following requirements shall be satisfied:

Installation of Carbon Monoxide Detectors

At the time of installation of the side wall horizontal vented gas fueled equipment, the installing plumber or gas fitter shall observe that a hard wired carbon monoxide detector with an alarm and battery back-up is installed on the floor level where the gas equipment is to be installed. In addition, the installing plumber or gas fitter shall observe that a battery operated or hard wired carbon monoxide detector with an alarm is installed on each additional level of the dwelling, building or structure served by the side wall horizontal vented gas fueled equipment. It shall be the responsibility of the property owner to secure the services of qualified licensed professionals for the installation of hard wired carbon monoxide detectors.

In the event that the side wall horizontally vented gas fueled equipment is installed in a crawl space or an attic, the hard wired carbon monoxide detector with alarm and battery back-up may be installed on the next adjacent floor level.

In the event that the requirements of this subdivision can not be met at the time of completion of installation, the owner shall have a period of thirty (30) days to comply with the above requirements; provided, however, that during said thirty (30) day period, a battery operated carbon monoxide detector with an alarm shall be installed.

Approved Carbon Monoxide Detectors

Each carbon monoxide detector as required in accordance with the above provisions shall comply with NFPA 720 and be ANSI/UL 2034 listed and IAS certified.

Signage

A metal or plastic identification plate shall be permanently mounted to the exterior of the building at a minimum height of eight (8) feet above grade directly in line with the exhaust vent terminal for the horizontally vented gas fueled heating appliance or equipment. The sign shall read, in print size no less than one-half (1/2) inch in size, "**GAS VENT DIRECTLY BELOW. KEEP CLEAR OF ALL OBSTRUCTIONS.**"

Inspection

The state or local gas inspector of the side wall horizontally vented gas fueled equipment shall not approve the installation unless, upon inspection, the inspector observes carbon monoxide detectors and signage installed in accordance with the provisions of 248 CMR 5.08(2)(a) 1 through 4.

Exemptions

The following equipment is exempt from 248 CMR 5.08(2)(a) 1 through 4:

- The equipment listed in Chapter 10 entitled "Equipment Not Required To Be Vented" in the most current edition of NFPA 54 as adopted by the Board; and
- Product Approved side wall horizontally vented gas fueled equipment installed in a room or structure separated from the dwelling, building or structure used in whole or in part for residential purposes.

MANUFACTURER REQUIREMENTS

Gas Equipment Venting System Provided

When the manufacturer of Product Approved side wall horizontally vented gas fueled equipment provides a venting system design or venting system components with the equipment, the instructions provided by the manufacturer for installation of the equipment and the venting system shall include:

- Detailed instructions for the installation of the venting system design or the venting system components; and
- A complete parts list for the venting system design or venting system.

Gas Equipment Venting System NOT Provided

When the manufacturer of a Product Approved side wall horizontally vented gas fueled equipment does not provide the parts for venting the flue gases, but identifies "special venting systems", the following requirements shall be satisfied by the manufacturer:

- The referenced "special venting system" instructions shall be included with the appliance or equipment installation instructions; and
- The "special venting system" shall be Product Approved by the Board, and the instructions for that system shall include a parts list and detailed installation instructions.

A copy of all installation instructions for all Product Approved side wall horizontally vented gas fueled equipment, all venting instructions, all parts lists for venting instructions, and/or all venting design instructions shall remain with the appliance or equipment at the completion of the installation.

See Gas Connection section for additional Commonwealth of Massachusetts requirements.

2

Getting Started

A. Design & Installation Considerations

Quadra-Fire direct vent gas appliances are designed to operate with all combustion air drawn from outside of the building and all exhaust gases expelled to the outside. No additional air source is required.

CAUTION

- Check building codes prior to installation.
- Installation **MUST** comply with local, regional, state and national codes and regulations.
 - Consult local building, fire officials or authorities having jurisdiction about restrictions, installation inspection, and permits.

When planning an installation, it is necessary to determine the following information before installing:

- Where the appliance is to be installed.
- The vent system configuration to be used.
- Gas supply piping.
- Electrical wiring.
- Whether optional accessories - devices such as a blower, thermostat or remote control - are desired.

WARNING

- Keep appliance dry.
- Mold or rust may cause odors.
 - Water may damage controls.

B. Tools and Supplies Needed

Before beginning the installation be sure that the following tools and building supplies are available. **Note: Not all tools will apply to every installation.**

Reciprocating saw	Variable Speed Drill/Driver
Pliers	Wrench Set
Hammer	Framing Square
Phillips Screwdriver	Framing Material
Flat Blade Screwdriver	Hi temp caulking material
Plumb Line	Voltmeter
Level	Gloves
Manometer	Safety Glasses
Tape Measure	Non-corrosive Leak Check Solution or combustible gas detector

C. Inspect Appliance & Components

WARNING



Inspect appliance and components for damage. Damaged parts may impair safe operation.



- Do NOT install damaged components.
- Do NOT install incomplete components.
- Do NOT install substitute components.

Report damaged parts to dealer.

- Carefully remove the appliance and components from the packaging.
- Remove cast door and glass door, and set aside on protective surface.
- Remove log set and component pack from firebox.
- Report to your dealer any parts damaged in shipment, particularly the condition of the glass.
- **Read all of the instructions before starting the installation. Follow these instructions carefully during the installation to ensure maximum safety and benefit.**

WARNING



Hearth & Home Technologies disclaims any responsibility for, and the **warranty will be voided** by, the following actions:

- Installation and use of any damaged appliance or vent system component.
- Modification of the appliance or vent system.
- Installation other than as instructed by Hearth & Home Technologies.
- Improper positioning of the gas logs or the glass door.
- Installation and/or use of any component part not approved by Hearth & Home Technologies.

Any such action may cause a fire hazard.

3 Appliance Location and Clearances

NOTE:

- Illustrations reflect typical installations and are **FOR DESIGN PURPOSES ONLY.**
- Illustrations/diagrams are not drawn to scale.
- Actual installation may vary due to individual design preference.

⚠ WARNING

Fire Risk

Provide adequate clearance:

- Around air openings
- To combustibles
- For service access

Locate appliance away from traffic areas.

A. Selecting Appliance Location

When selecting a location for your appliance it is important to consider the required clearances to walls (see **Figure 3.1**).

⚠ WARNING

Fire Risk.

- Locate and install appliance to all clearance specifications in manual.

NOTE: For actual appliance dimensions refer to Section 12.

B. Clearances

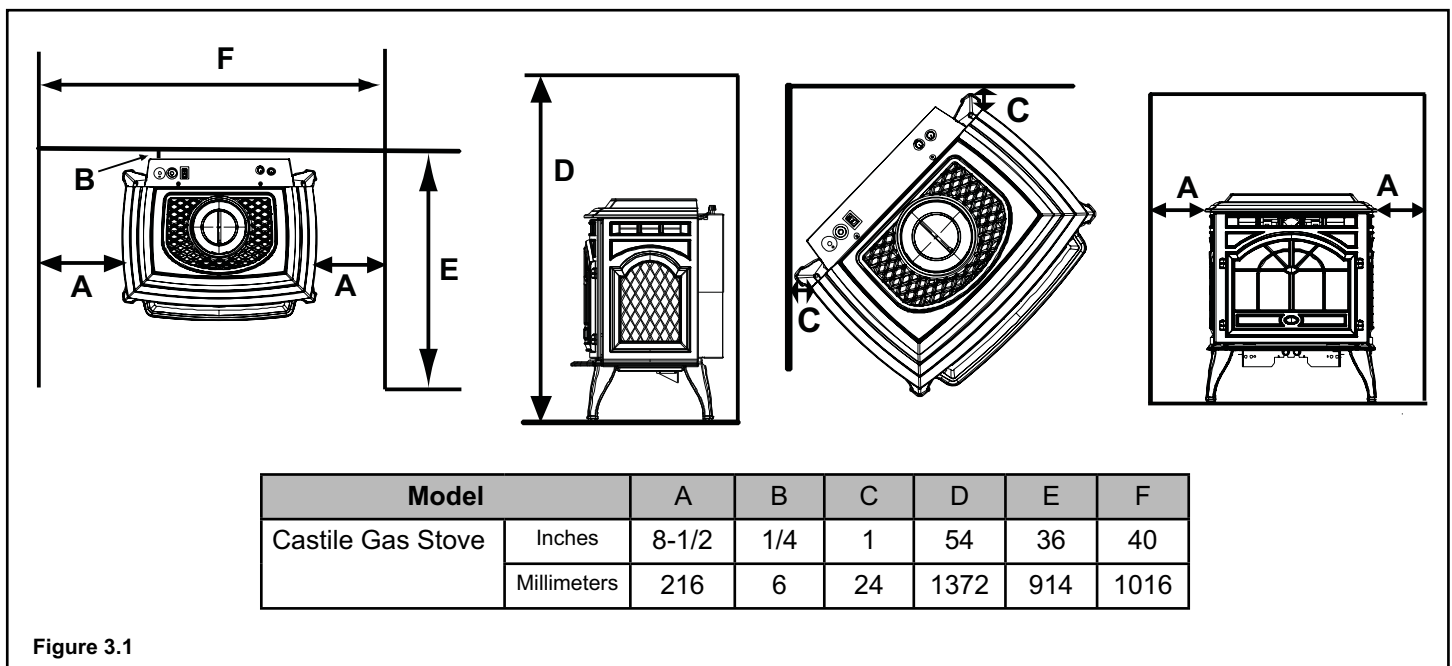


Figure 3.1

It is permissible to place the appliance on carpet.

CAUTION

Some carpet materials may be sensitive to radiant heat from the appliance causing discoloration or odor.

NOTE: Flooring beneath appliance may reach 90 degrees plus room ambient temperature. Check with flooring manufacturer for maximum temperature allowed on flooring surfaces.

⚠ WARNING

Fire Risk.


Odor Risk.


Tipping Risk

- Install appliance on a stable, level platform/ floor strong enough to support appliance without tipping.
- USE wood flooring, ceramic tile, brick hearth or high pressure laminate flooring applied directly over the sub-flooring material.


4 Termination Locations

A. Vent Termination Minimum Clearances


WARNING



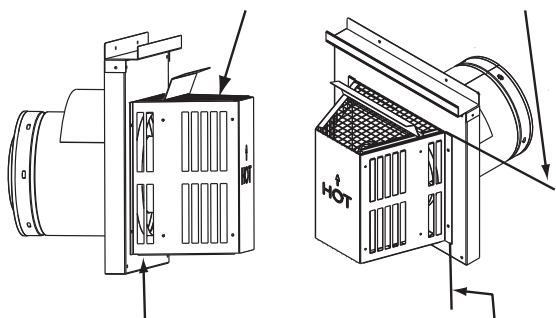
Fire Risk.
Explosion Risk.
Maintain vent clearance to combustibles as specified.



- Do not pack air space with insulation or other materials.

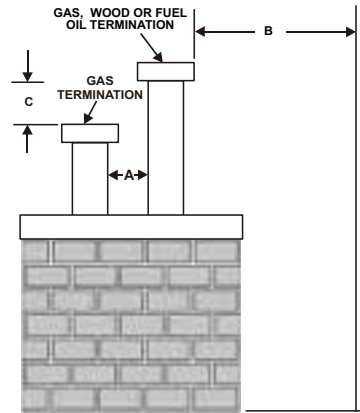
Failure to keep insulation or other materials away from vent pipe may cause fire.

Measure vertical clearances from this surface.



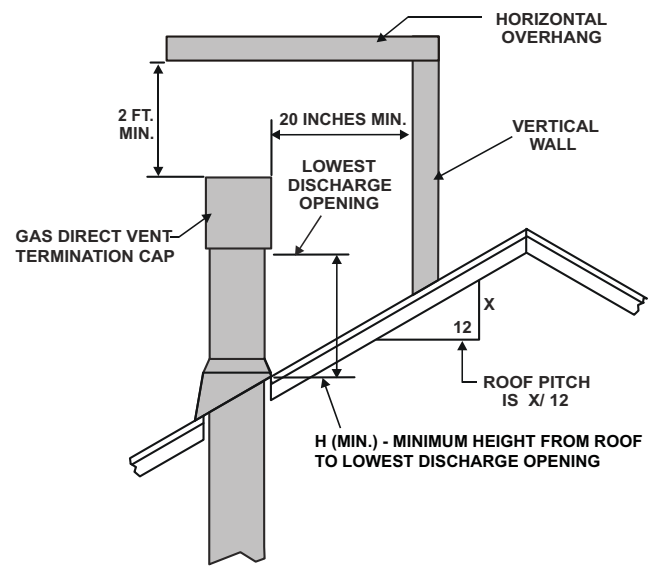
Measure horizontal clearances from this surface.
(See Figure 4.4 for specific clearances.)

Figure 4.1 Termination Clearances



	Gas Termination	Wood & Fuel Oil Termination	Comments
A	6 in.	20 in. min.	Horizontal distance between terminations
B	20 in.	24 in. min.	Distance to perpendicular wall
C	18 in.	18 in.	Vertical distance between terminations

Figure 4.2 Multiple Vertical Termination

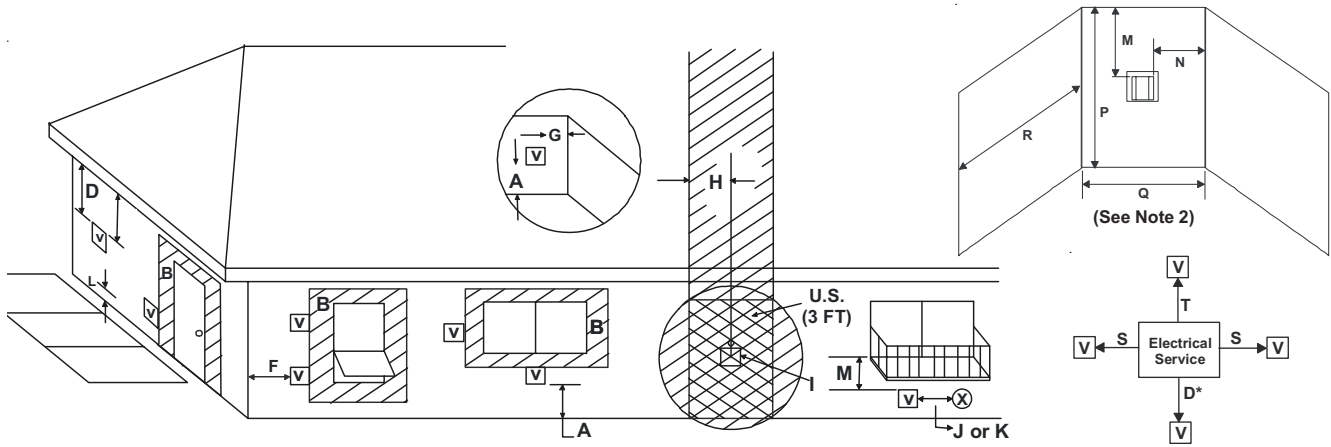


Roof Pitch	H (Min.) Ft
Flat to 6/12	1.0*
Over 6/12 to 7/12	1.25
Over 7/12 to 8/12	1.5*
Over 8/12 to 9/12	2.0*
Over 9/12 to 10/12	2.5*
Over 10/12 to 11/12	3.25
Over 11/12 to 12/12	4.0
Over 12/12 to 14/12	5.0
Over 14/12 to 16/12	6.0
Over 16/12 to 18/12	7.0
Over 18/12 to 20/12	7.5
Over 20/12 to 21/12	8.0

* 3 foot minimum in snow regions

Figure 4.3 Minimum Height from Roof to Lowest Discharge Opening

Figure 4.3 specifies minimum vent heights for various pitched roofs.



V = VENT TERMINAL **X** = AIR SUPPLY INLET [Hatched] = AREA WHERE TERMINAL IS NOT PERMITTED

- A = 12 inches clearances above grade, veranda, porch, deck or balcony (See Note 1)
- B = 12 inches clearances to window or door that may be opened, or to permanently closed window. (Glass)
- D* = 18 inches vertical clearance to unventilated soffit or to ventilated soffit located above the terminal
*30 inches for vinyl clad soffits and below electrical service
- F = 9 inches clearance to outside corner
- G = 6 inches clearance to inside corner
- H = 3 ft. (Canada) not to be installed above a gas meter/regulator assembly within 3 feet (90cm) horizontally from the center-line of the regulator
- I = 3 ft. clearance to gas service regulator vent outlet
- J = 9 inches (U.S.A.)
12 inches (Canada) clearance to non-mechanical air supply inlet to building or the combustion air inlet to any other appliance

- K = 3 ft. (U.S.A.)
6 ft. (Canada) clearance to a mechanical (powered) air supply inlet
- L** = 7 ft. clearance above paved sidewalk or a paved driveway located on **public** property (See Note 1)
- M*** = 18 inches clearance under veranda, porch, deck, balcony or overhang
42 inches vinyl
- S = 6 inches clearance from sides of electrical service (See Note 3)
- T = 12 inches clearance above electrical service (See Note 3)

Alcove Applications

- N = 6 inches non-vinyl sidewalls
12 inches vinyl sidewalls
- P = 8 ft.

	Q_{MIN}	R_{MAX}
1 cap	3 feet	2 x Q _{ACTUAL}
2 caps	6 feet	1 x Q _{ACTUAL}
3 caps	9 feet	2/3 x Q _{ACTUAL}
4 caps	12 feet	1/2 x Q _{ACTUAL}
Q_{MIN} = # termination caps x 3		R_{MAX} = (2 / # termination caps) x Q_{ACTUAL}

** a vent shall not terminate directly above a sidewalk or paved driveway which is located between two single family dwellings and serves both dwellings.

*** only permitted if veranda, porch, deck or balcony is fully open on a minimum of 2 sides beneath the floor, or meets Note 2.

NOTE 1: On private property where termination is less than 7 feet above a sidewalk, driveway, deck, porch, veranda or balcony, use of a listed cap is suggested. (See vents components pages.)

NOTE 2: Termination in an alcove space (spaces only open on one side and without an overhang) are permitted with the dimensions specified for vinyl or non-vinyl siding and soffits. **1.** There must be at least 3 feet minimum between termination caps. **2.** All mechanical air intakes within 10 feet of a termination cap must be a minimum of 3 feet below the termination cap. **3.** All gravity air intakes within 3 feet of a termination cap must be a minimum of 1 foot below the termination cap.

NOTE 3: Location of the vent termination must not interfere with access to the electrical service.

NOTE: Local codes or regulations may require different clearances.

NOTE: Termination caps may be hot. Consider their proximity to doors or other traffic areas.

WARNING: In the U.S.: Vent system termination is **NOT** permitted in screened porches. You must follow side wall, overhang and ground clearances as stated in the instructions.

In Canada: Vent system termination is **NOT** permitted in screened porches. Vent system termination is permitted in porch areas with two or more sides open. You must follow side wall, overhang and ground clearances as stated in the instructions.

Quadra-Fire assumes no responsibility for the improper performance of the appliance when the venting system does not meet these requirements.

CAUTION: IF EXTERIOR WALLS ARE FINISHED WITH VINYL SIDING, IT IS SUGGESTED THAT A VINYL PROTECTOR KIT BE INSTALLED (part #VPK-DV).

Figure 4.4

5

Vent Information

A. Venting Components

In order to comply with applicable codes and product warranties, use only following venting components:

- Hearth & Home Technologies (HHT)
- Security Chimney's Secure Vent Chimney System
- Selkirk Metalbestos
- AmeriVent
- Simpson Dura-Vent (SDV)

DO NOT USE FIELD-FABRICATED VENTING COMPONENTS. Refer to the venting manufacturer's instructions.

This product is approved to be vented either horizontally, through the side wall or vertically through the roof. You may vent through a Class A or masonry chimney if an approved adapter is used.

This appliance is a direct vent heater. All combustion air must come directly from the outside of the building. The vent pipe for this unit consists of an inner and an outer pipe. The inner pipe carries the appliance exhaust out of the system, and the outer pipe brings fresh combustion air into the appliance.

- A round support box/wall thimble or heat shield is required when the venting passes through a combustible wall.
- A support box or ceiling firestop is required when the venting passes through a ceiling.
- Roof flashing and a storm collar are required when venting passes through the roof.
- Follow instructions provided with the venting for installation of these items.

B. Use of Elbows

CAUTION

ALL vent configuration specifications **MUST** be followed.

- This product is tested and listed to these specifications.
- Appliance performance will suffer if specifications are not followed.

Diagonal runs have both vertical and horizontal vent aspects when calculating the effects. Use the rise for the vertical aspect and the run for the horizontal aspect. (See **Figure 5.1.**)

Two 45° elbows may be used in place of one 90° elbow. On 45° runs, one foot of diagonal is equal to 8-1/2 in. (216mm) horizontal run and 8-1/2 in. (216mm) vertical run. A length of straight pipe is allowed between two elbows. (See **Figure 5.1.**)

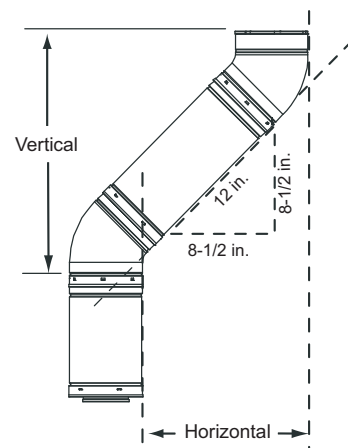


Figure 5.1

C. Measuring Standards

Vertical and horizontal measurements were made using the following standards.

- Pipe measurements are from center line to center line.
- Horizontal terminations are measured to the outside of the mounting surface (flange of termination cap). See **Figure 4.1** on page 8.
- Vertical terminations are measured to the top of the last pipe before termination cap.
- Horizontal pipe installed level with 1/4 in. rise.

WARNING



Fire Hazard.
Explosion Risk.
Asphyxiation Risk.

Do NOT connect this gas appliance to a chimney flue serving a separate solid-fuel or gas burning appliance.

- Vent this appliance directly outside.
- Use separate vent system for this appliance.



May impair safe operation of this appliance or other appliances connected to the flue.

D. How to Use the Vent Graph

1. Measure the vertical distance from the top of appliance to the center of the 90° elbow. On the graph below, draw a horizontal line from that measurement on the vertical axis across until it intersects with the slanted line.
2. From the point of this intersection, draw a vertical line to the bottom of the graph.
3. The point at which this line meets the bottom line of the graph is the maximum length of the horizontal run.

EXAMPLE 1: If the vertical dimension from the center line of the flue vent to the center of the 90° elbow is 7 ft. (2.13 m), the horizontal run to the outer wall flange must not exceed 16 ft. (5m).

EXAMPLE 2: If the vertical dimension from the center line of the flue vent to the center of the 90° elbow is 21 ft. (6m), the horizontal run to the outer wall flange must not exceed 12 ft. 10 in. (4m).

4. Each 90° elbow is equivalent to 3 ft. (914mm) of vent pipe and each 45° elbow is equivalent to 1 ft. (305mm) of vent pipe, and must be subtracted from vent pipe run. A single vertical to horizontal 90° elbow is already calculated into the allowable 20 ft. (6m) run. Each additional 90° elbow reduces the maximum horizontal distance by 3 ft. (914mm).

EXAMPLE: The use of 3 elbows would reduce the allowable horizontal run to 9 ft. (3 - 1 = 2 elbows x 3 ft. = 6 ft.; 20 ft. max. - 6 ft. = 14 ft. max.).

NOTE: IF YOUR INSTALLATION FALLS WITHIN A SHADED AREA ON THE GRAPH, THE DAMPER MUST BE USED. SEE INFORMATION ON DAMPER ADJUSTMENT ON PAGE 34.

NOTE: In the Commonwealth of Massachusetts, the word damper shall be replaced with the words flue restrictor.

E. Venting Guidelines

NOTES

The maximum horizontal vent run is 20 ft (6m) when the vertical vent rise is 10 ft. (3m).

The minimum horizontal vent run is 6 in. (152mm).

Horizontal sections require a 1/4 in. (6mm) rise for every 12 in. (305 mm) of horizontal travel.

Exterior Vent Diameter = 6-5/8 in. (168mm); Inner Vent Diameter = 4 in. (102mm).

Horizontal sections require noncombustible support every 3 ft. (914mm), e.g. wall straps.

For any vertical termination a minimum of 6 ft. (2m) vertical must be used.

Minimum vertical from appliance top before adding an elbow is 2 in. (51mm).

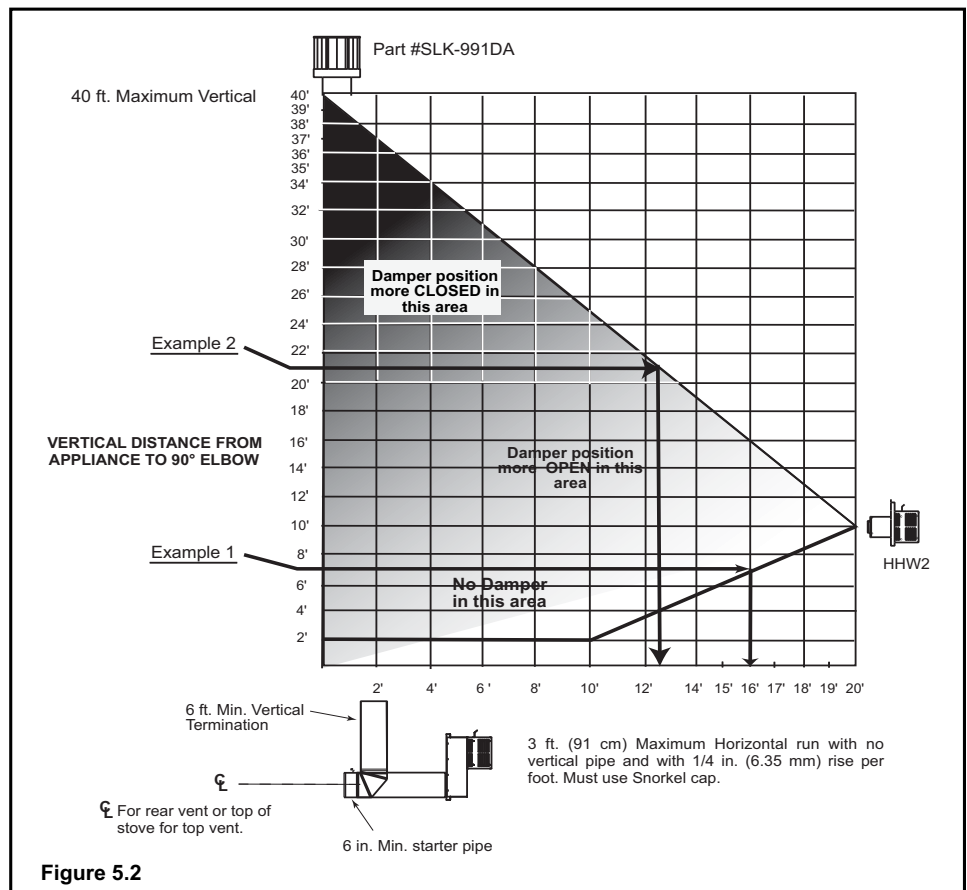
EXCEPTIONS FOR HORIZONTAL INSTALLATIONS:

***When installing this appliance in a rear vent configuration with no vertical rise, a Snorkel Kit must be used.**

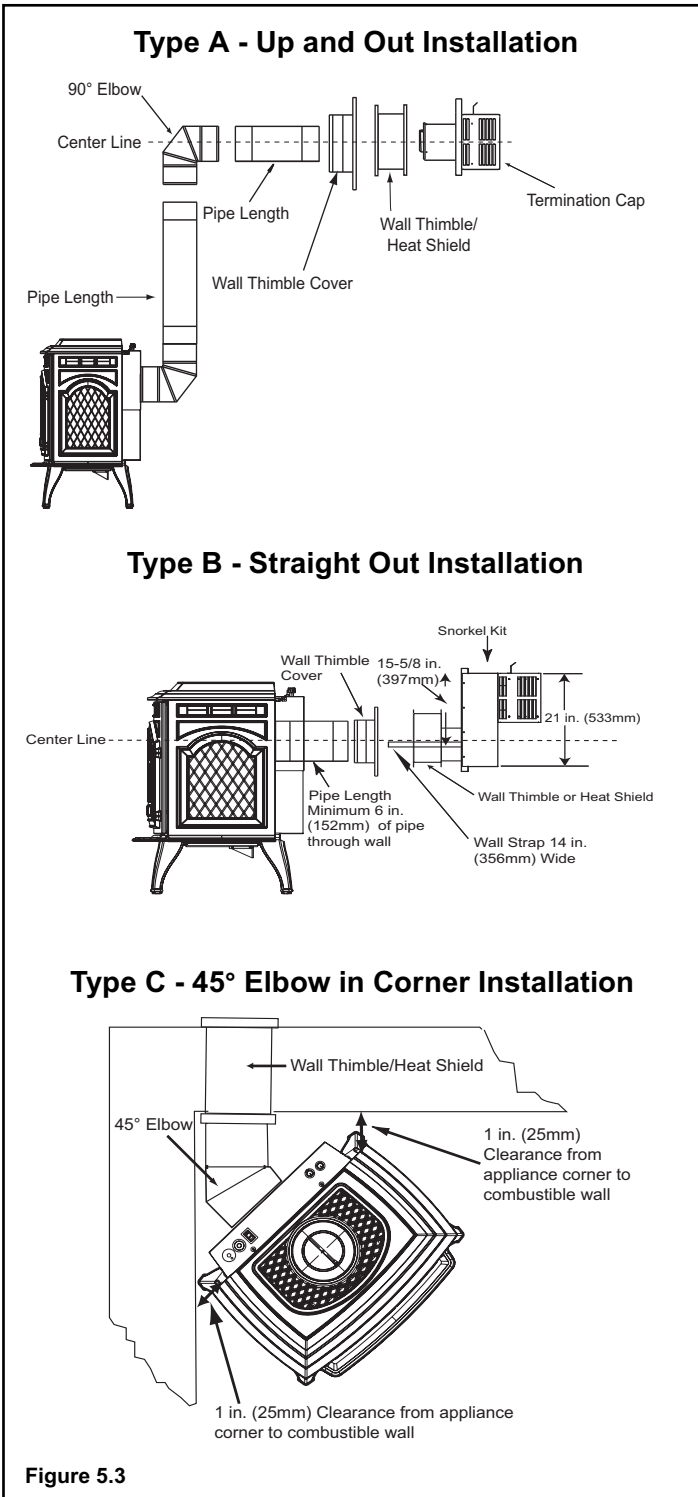
***The maximum horizontal vent run is 3 ft. (914mm)**

***The maximum horizontal vent run with a 45° elbow is 2 ft. (609mm).**

***The minimum horizontal vent run is 6 in. (152mm).**



F. Horizontal Termination



Step 1.

Determine the desired location of the appliance. Check to ensure that wall studs or roof rafters are not in the way when the venting system is attached. If this is the case, you may want to adjust the location of the appliance.

WARNING

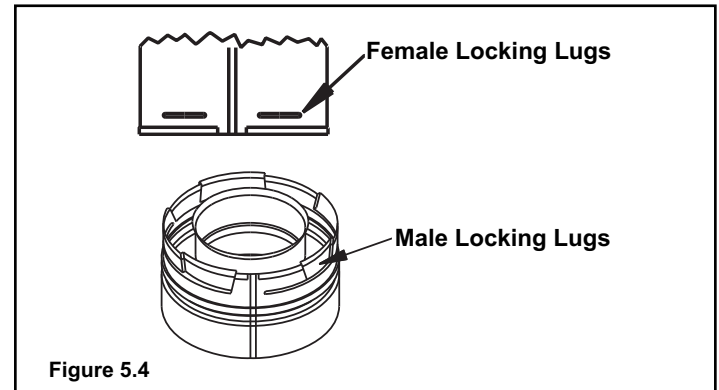
Fire Hazard.
Exhaust Fume Risk.
Impaired Performance of Appliance.

- Ensure vent components are locked together correctly.
- Pipe may separate if not properly joined.

Step 2.

Direct vent pipe is designed with a locking connection. To connect the venting system to the appliance flue outlet, a twist-lock adapter is built into the appliance at the factory. Wall thickness may vary. Remember to include wall thickness in minimum clearances when figuring venting lengths for your installation needs.

Note: Female ends of direct vent pipe/elbows are designed to slide straight onto the male ends of adjacent pipes by orienting the pipe indentations so they match and slide into the entry slots on the male ends, see **Figure 5.4**. Push the pipe sections completely together, then twist-lock one section clockwise approximately one-quarter turn, until the two sections are fully locked. The female locking lugs may not be visible from the outside. They may be located by examining the inside of the female ends.



WARNING

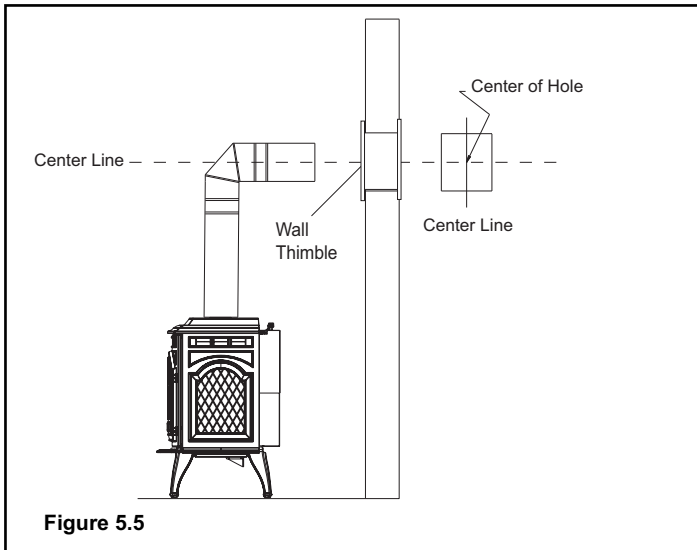
Fire Risk.
Explosion Risk.
Combustion Fume Risk.
Use vent run supports per installation instructions.
Connect vent sections per installation instructions.

- Maintain all clearances to combustibles.
- Do NOT allow vent to sag below connection point to appliance.
- Maintain specified slope (if required).

Improper support may allow vent to sag or separate.

Step 3.

For installations using a round support box/wall thimble (check pipe manufacturer's instructions), mark the wall for a 10 in. x 10 in. (254mm x 254mm) square hole. The center of the square hole should line up with the center line of the horizontal pipe, as shown in **Figure 5.5**. Cut and frame the hole in the exterior wall where the vent will be terminated. If the wall being penetrated is constructed of noncombustible material, i.e. masonry block or concrete, a 7 in. (178mm) diameter hole is acceptable.

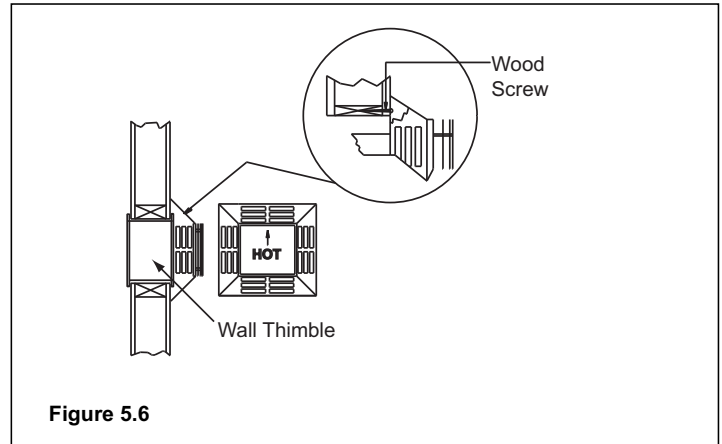


NOTE:

- (1) Installation requires a minimum of 6 in. (152mm) horizontal run of vent with a 1/4 in. (6mm) rise run towards the termination. Each 1 ft. (305mm) of horizontal venting must include a 1/4 in. (6mm) rise. Never allow the vent to run downward. This could cause high temperatures and may present the possibility of a house or structure fire.
- (2) The location of the horizontal vent termination on an exterior wall must meet all local and national building codes, and must not be easily blocked or obstructed, see **Figure 4.4** on page 9.
- (3) For installations requiring a vertical rise on the exterior of the building, a snorkel kit is available with a 14 in. (356mm) and a 36 in. (914mm) tall snorkel termination cap. Follow the same installation procedures as used for standard horizontal terminations. If the snorkel termination must be installed below grade (i.e. basement application), proper drainage must be provided to prevent water from entering the snorkel termination. Do not backfill around snorkel termination.
- (4) Vertical clearances through a wall require 2 in. (51mm) off the top of the venting pipe and 1 in. (25mm) off the sides and bottom.

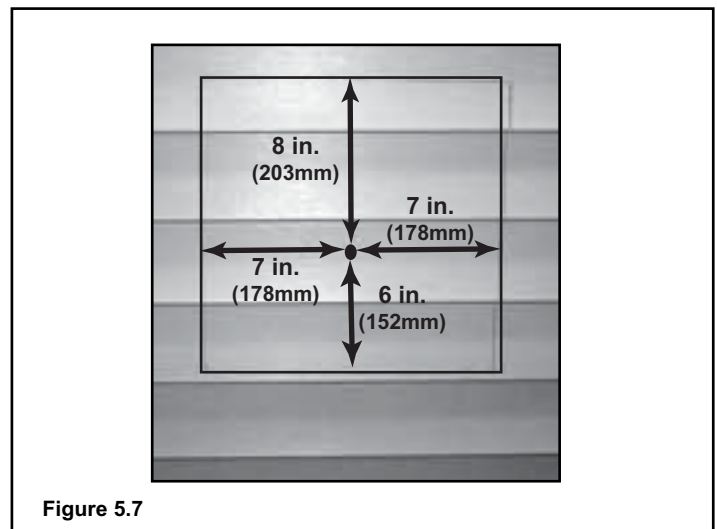
Step 4.

Position the horizontal termination cap in the center of the 10 in. x 10 in. (254mm x 254mm) square hole and run a bead of non-hardening mastic around its outside edges, so as to make a seal between it and the wall, attach termination cap to the exterior wall with the four wood screws provided. The arrow on the vent cap should be pointing up (**Figure 5.6**).





NOTES:

- (1) The four wood screws provided should be replaced with appropriate fasteners for stucco, brick, concrete, or other types of sidings.
- (2) A termination cap with a built-in vinyl siding standoff is highly recommended on a building with vinyl siding. The pilot hole will be 2 in. (51mm) closer to the bottom of the square than the top. Using a framing square, draw a 14 in. x 14 in. (356mm x 356mm) square around the pilot hole in the siding. See **Figure 5.7**.




(NOTE: Some termination caps may cause the vent pipe to be off center on flashing). Ensure that proper clearances to combustible materials are maintained. If you are not using an approved termination cap with a built-in standoff on a building with vinyl siding, a vinyl siding standoff should be installed between the termination cap and the exterior wall (**Figure 5.8**). Follow manufacturer's instructions for attaching the vinyl siding standoff to the horizontal termination cap. The vinyl siding standoff prevents excessive heat from possibly melting the vinyl siding material. The vent terminal cap shall not be recessed into a wall or siding. Remove siding from the area where the standoff will be located.

Note: The attachment from the vent pipe to the vent cap must be sealed with silicone. Venting terminals shall not be recessed into a wall or siding.

⚠ WARNING	
	<p>Fire Hazard. Exhaust Fume Risk. Impaired Performance of Appliance.</p>
<ul style="list-style-type: none"> • Ensure vent components are locked together correctly. • Pipe may separate if not properly joined. 	
	

⚠ WARNING	
Do NOT connect a pipe section to a termination cap without using the telescoping flue section found on the termination cap.	

⚠ WARNING	
	<p>Burn Risk.</p> <ul style="list-style-type: none"> • Local codes may require installation of a cap shield to prevent anything or anyone from touching the hot cap.

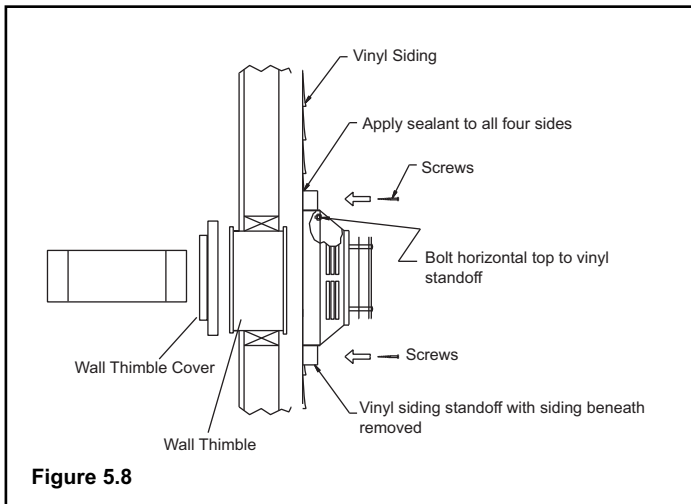


Figure 5.8

Step 5.

Place the wall thimble cover over the pipe assembly and slide the appliance and vent assembly towards the wall, carefully inserting the vent pipe into the vent termination cap assembly. It is important that the vent pipe extend into the vent termination cap a sufficient distance so as to result in a minimum pipe overlap of 1-1/4 in. (32mm). Secure the connection between the vent pipe and the vent termination cap by attaching the two sheet metal strips extending from the vent termination cap assembly into the outer wall of the vent pipe. Use the two sheet metal screws provided to connect the strips to the pipe section (**Figure 5.9**).

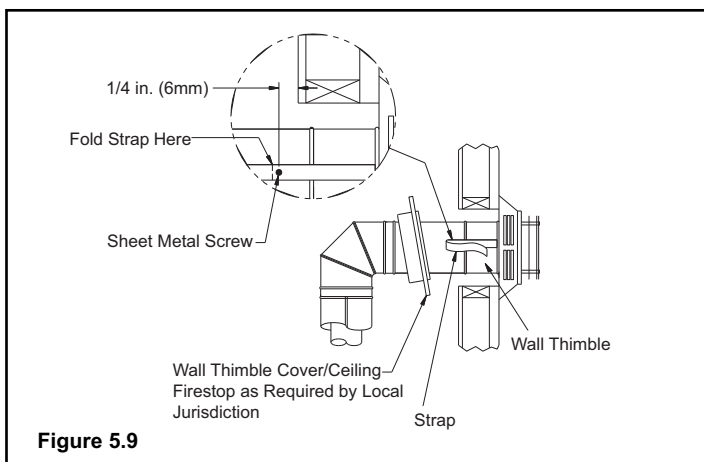
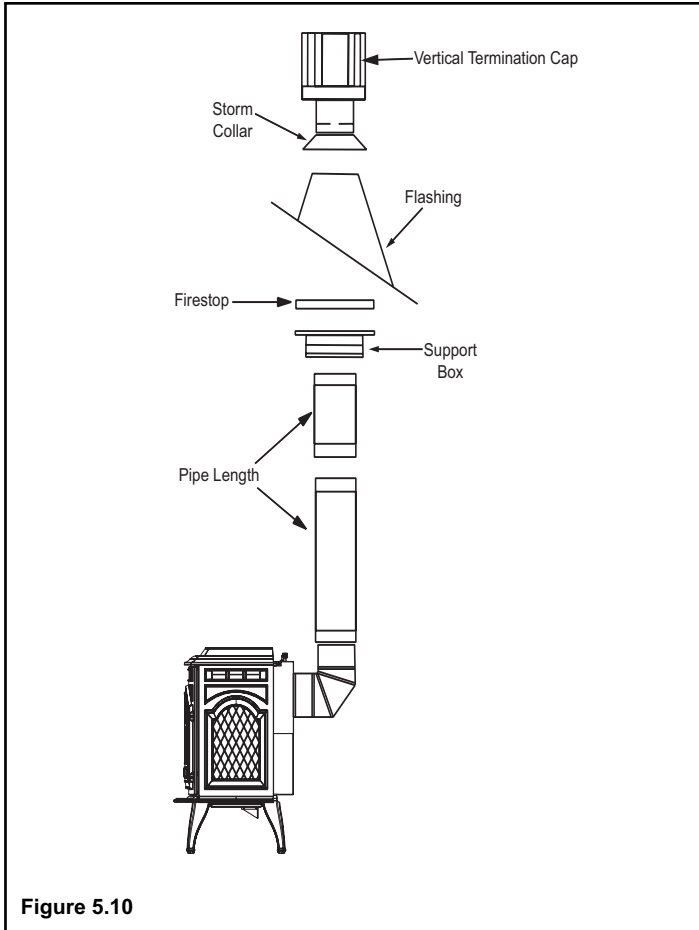



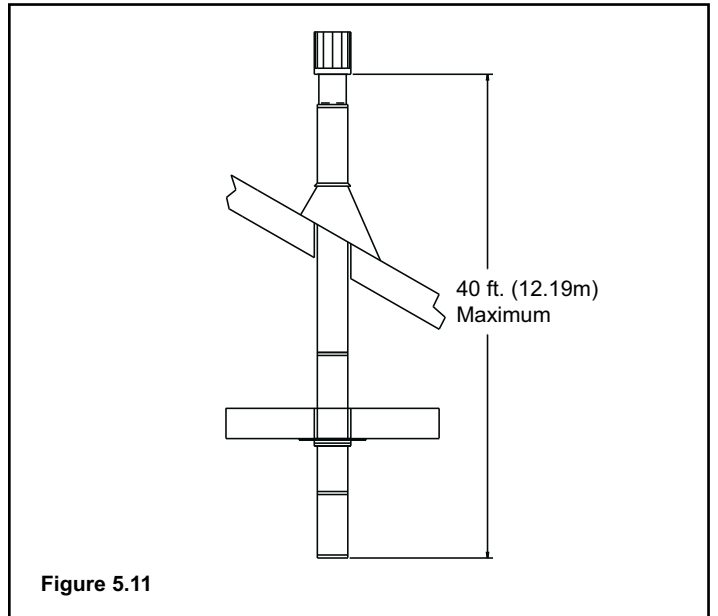
Figure 5.9

G. Vertical Termination

1. Direct Vent Pipe



⚠ WARNING	
	Fire Risk. Explosion Risk. Maintain vent clearance to combustibles as specified.
	• Do not pack air space with insulation or other materials. Failure to keep insulation or other materials away from vent pipe may cause fire.



Step 1.

Check the installation instructions for required 1 in. (25mm) clearances (air space) to combustibles when passing through ceilings, walls, roofs, enclosures, attic rafters, or other nearby combustible surfaces. See page 16, **Figure 5.16** Check the instructions below for maximum vertical rise of the venting system, and any maximum horizontal offset limitations. All offsets must fall within the set parameters of the vent graph (**Figure 5.2**) located on page 11.

NOTE: Maximum vertical rise allowable is 40 ft. (12m) **Figure 5.11**).

NOTE: Maximum number of 45° elbows permitted for a vertical installation is eight, provided their installation does not decrease maximum allowable horizontal run (as specified by vent graph, on page 11).

Step 2.

Set the gas appliance in its desired location. Drop a plumb bob down from the ceiling to the position of the appliance flue exit, and mark the location where the vent will penetrate the ceiling. Drill a small hole at this point. Next, drop a plumb bob from the roof to the hole previously drilled in the ceiling, and mark the spot where the vent will penetrate the roof. Determine if ceiling joists, roof rafters, or other framing will obstruct the venting system. You may wish to relocate the appliance, or to offset, as shown in **Figure 5.12**, on the next page, to avoid cutting loadbearing members. When location is determined, drill small hole.

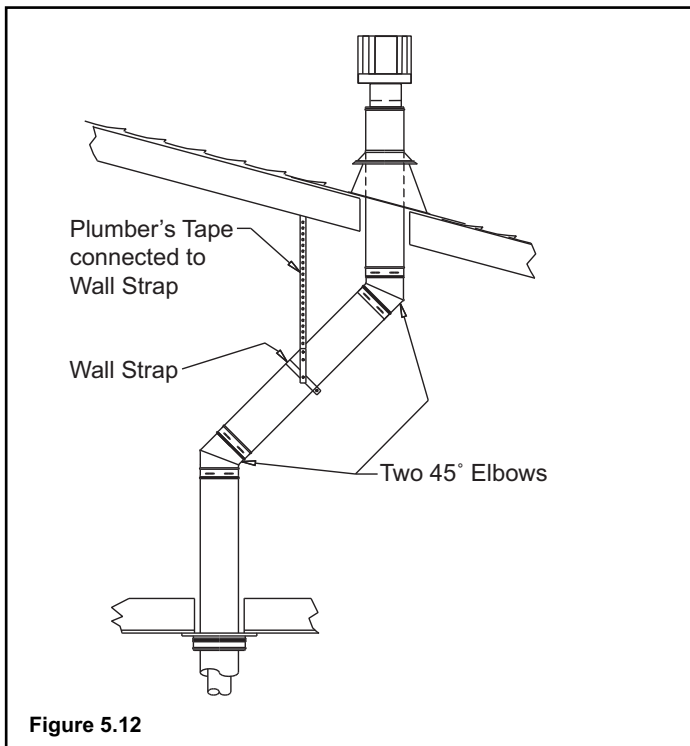


Figure 5.12

Step 3.

To install the round support box/wall thimble cover in a flat ceiling, cut a 10 in. (254mm) square hole in the ceiling, centered on the hole drilled in Step 2. Frame the hole as shown in **Figure 5.13**.

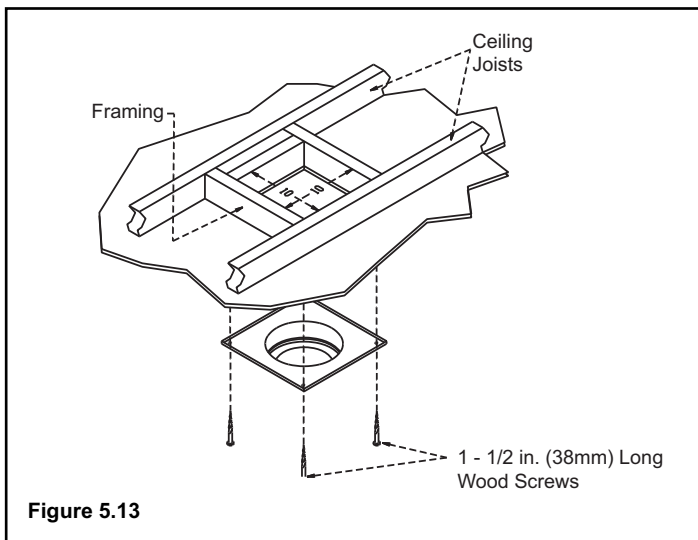


Figure 5.13

Step 4.

Assemble the desired lengths of pipe and elbows necessary to reach from the appliance up through the round support box. Ensure that all pipe and elbow connections are in their fully twist-locked position. Assemble as instructed.

Step 5.

Cut a hole in the roof centered on the small drill hole placed in the roof in Step 2. The hole should be of sufficient size to meet the minimum requirements for clearance to combustibles, as

specified. Continue to assemble lengths of pipe and elbows necessary to reach from the ceiling support box/wall thimble up through the roof line. Galvanized pipe and elbows may be utilized in the attic, as well as above the roofline. The galvanized finish is desirable above the roofline, due to its higher corrosion resistance.

NOTE:

- (1) If an offset is necessary in the attic to avoid obstructions, it is important to support the vent pipe every 3 ft. (914mm) to avoid excessive stress on the elbows, and possible separation. Wall straps are available for this purpose, **Figure 5.12**.
- (2) Whenever possible, use 45° elbows, instead of 90° elbows. The 45° elbow offers less restriction to the flow of flue gases and intake air.

Step 6.

Slip the flashing over the pipe section(s) protruding through the roof. Secure the base of the flashing to the roof with roofing nails. Ensure the roofing material overlaps the top edge of the flashing as shown in **Figure 5.14**. Verify that the chimney is the required height above the roof. See roof pitch table, **Figure 4.3**, on page 8 of this manual.

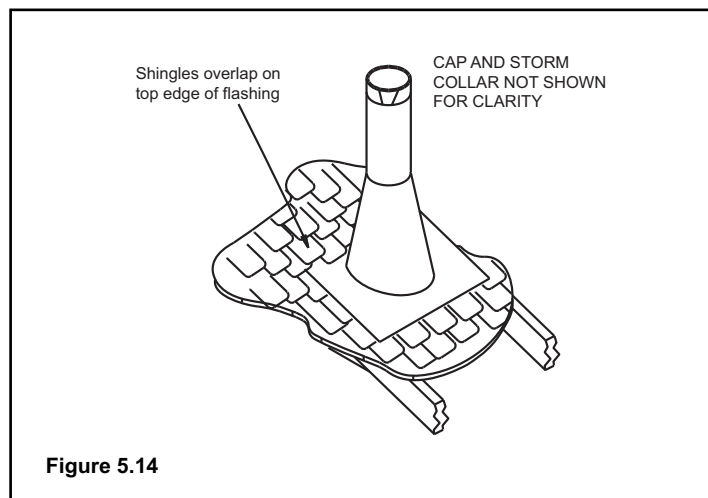


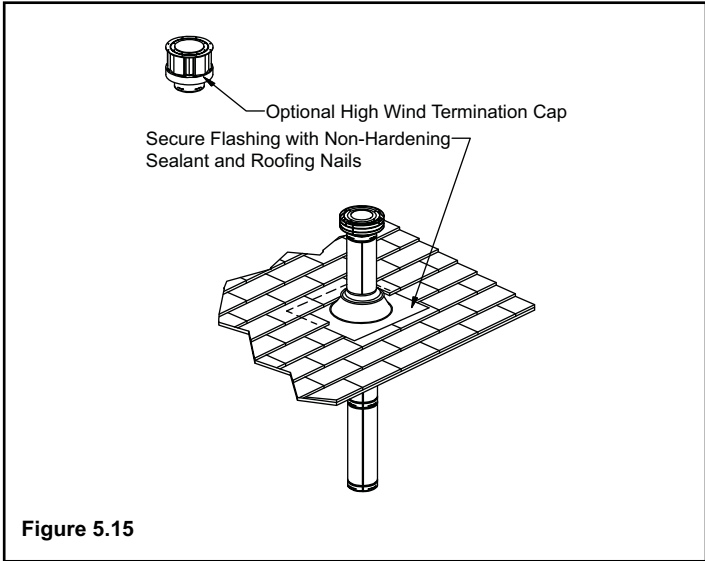
Figure 5.14

Step 7.

Continue to assemble pipe sections until the height of the vent (before adding the termination cap) meets the minimum code requirements as outlined in the current CAN/CGA-B149 Installation Codes (in Canada), the National Fuel Gas Code NFPA 54/ANSI Z223.1 (in USA), or local codes. Note that for steep roof pitches, the vent height must be increased. See Roof Pitch Table (**Figure 4.3**, on page 8). In high wind conditions, nearby trees adjoining rooflines, steep pitched roofs, and other similar factors can result in poor draft, or down drafting. In these cases increasing the vent height or switching to the high wind termination cap may solve this problem.

Step 8.

Slip the storm collar over the pipe, and push it down to the top of the flashing (**Figure 5.15**). Use non-hardening sealant above and below the joint between the storm collar and the pipe.



⚠ WARNING

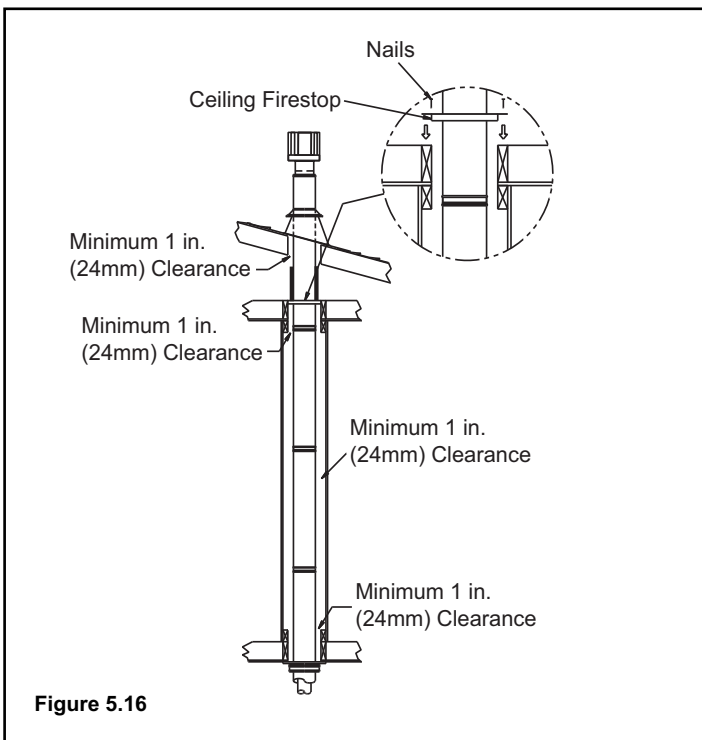
Fire Risk.
Explosion Risk.

- Any occupied areas above the first floor, including closets and storage spaces, which the vertical vent passed through must be enclosed. The enclosure may be framed and sheetrocked with standard construction materials; however, refer to these installation instructions for the minimum allowable clearance between the outside of the vent pipe and the combustible surfaces of the enclosure. Do not fill any of the required air space with insulation.

Step 9.

Twist-lock the vent cap and seal.

Note: For multi-story vertical installations, a ceiling firestop is required at the second floor, and any subsequent floors (**Figure 5.16**). The opening should be framed to 10 in. x 10 in. (254mm x 254mm) inside dimensions, in the same manner as shown in **Figure 5.13**.



2. Cathedral Ceiling

Step 1.

Follow installation Steps 1 and 2 under vertical installation section, page 15.

Step 2.

Using the plumb-bob, mark the center line of the venting system on the ceiling, and drill a small hole through the ceiling and roof at this point. From the roof, locate the drill hole and mark the outline of the cathedral ceiling support box.

Step 3.

Remove shingles or other roof covering as necessary to cut the rectangular hole for the support box. Cut the hole 1/8 in. (3mm) larger than the support box outline.

Step 4.

Lower the support box through the hole in the roof until the bottom of the support box protrudes at least 2 in. (51mm) below the ceiling (Figure 5.17). Align the support box both vertically and horizontally with a level. Temporarily tack the support box in place through the inside walls and into the roof sheathing.

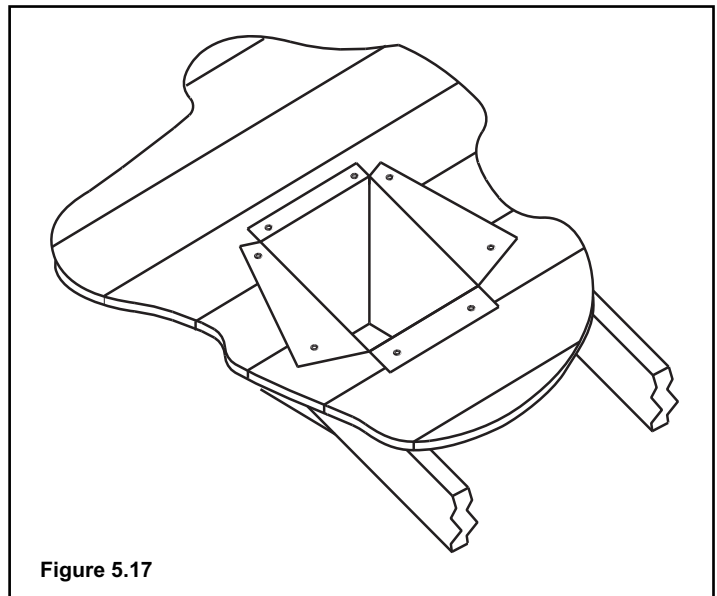


Figure 5.17

Step 6.

Complete the cathedral ceiling installation by following the same procedures outlined in steps 4 through 8 for vertical installations, pages 16-17.

Step 7.

Place the support clamp (provided with the support box) inside the support box (at the bottom), and secure to the pipe section. The clamp allows the support box to support the weight of the pipe sections. Continue to add pipe sections until you are above the roofline.

Step 8.

Install the black trim collar around the outside of the cathedral ceiling support box (Figure 5.19). The two pieces of the trim collar slide over one another to allow for easy adjustment around the support box. Using the six screws provided, secure the four corners and the overlapping sections of the trim collar to the ceiling. You may want to predrill the holes for the overlapped sections for ease of installation.

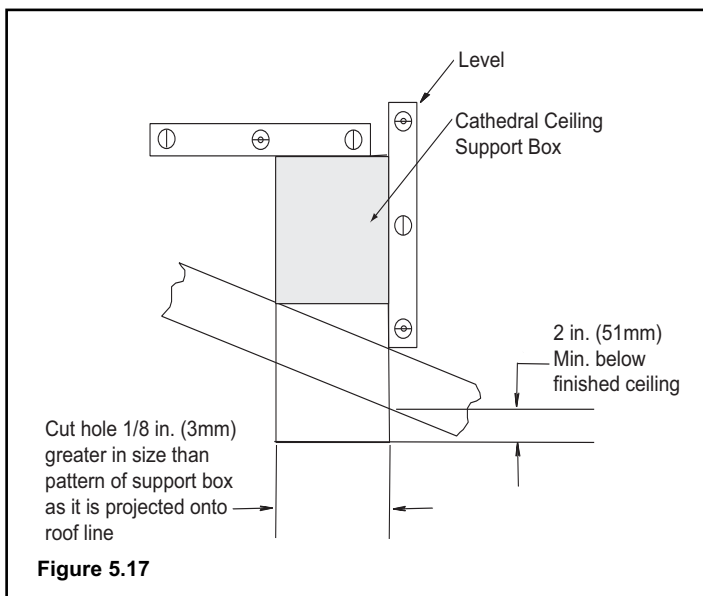


Figure 5.17

Step 5.

Using tin snips, cut the support box from the top corners down to the roofline, and fold the resulting flaps over the roof sheathing (Figure 5.18). Before nailing it to the roof, run a bead of non-hardening mastic around the top edges of the support box to make a seal between it and the roof. Clean out any combustible material from inside the support box.

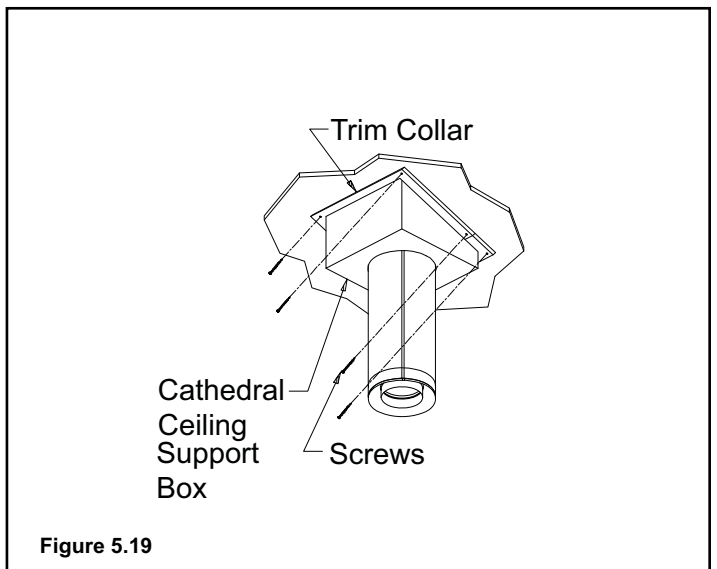


Figure 5.19

3. Class A Metal Chimney

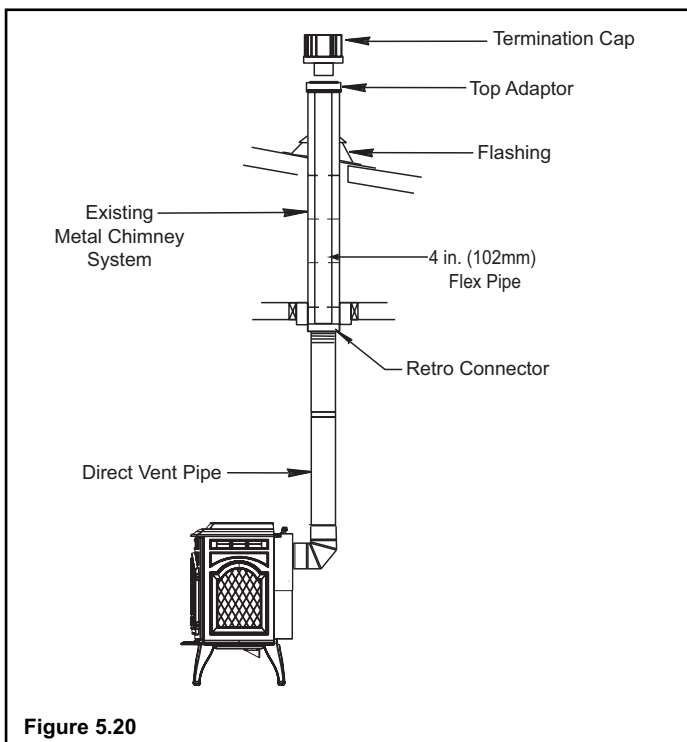


Figure 5.20

CAUTION

Ensure that existing chimney is functionally sound and clean.

- Have inspection done by qualified chimney sweep or professional installer BEFORE converting to direct vent appliance.

Step 1.

Remove existing chimney cap.

Step 2.

Measure the distance from the top of the chimney to the bottom of the ceiling support box, add 3 in. (76mm) to this measurement, and cut a section of 4 in. (101mm) flex pipe to that length (the flex should be fully extended).

Step 3.

Connect the end of the flex pipe section to the underside of the top adaptor, using four sheet metal screws (Figure 5.21).

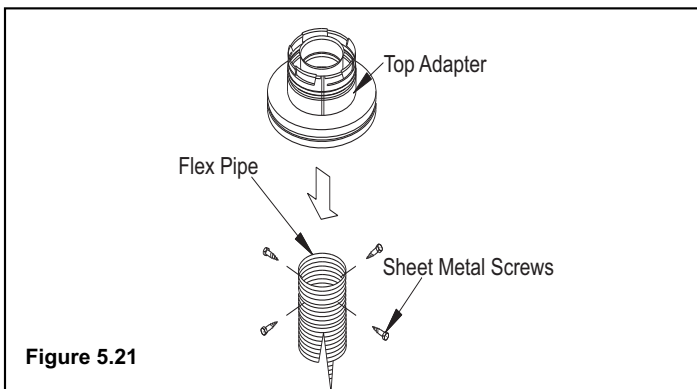


Figure 5.21

Step 4.

Pass the flex pipe down through the center of the chimney system, and center the top adaptor on the top of the chimney pipe. Drill four 1/8 in. (3mm) diameter holes through the top adaptor, and into the chimney top. Ensure that you are drilling into the metal on the chimney. Twist lock the high wind termination cap onto the top adaptor (Figures 5.22 and 5.23).

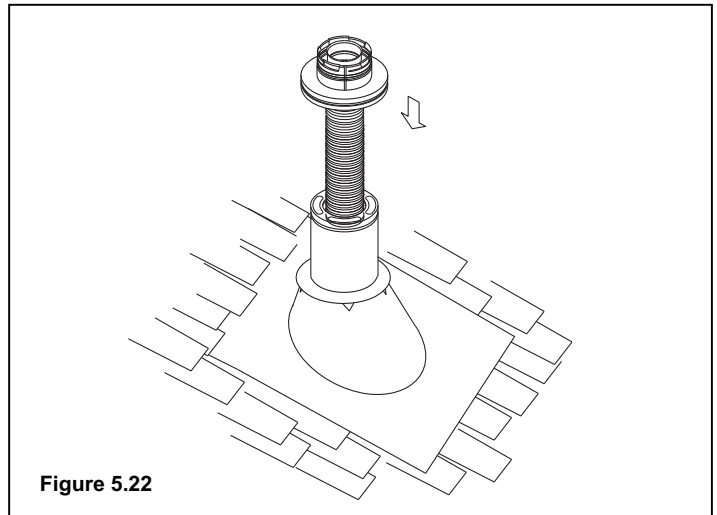


Figure 5.22

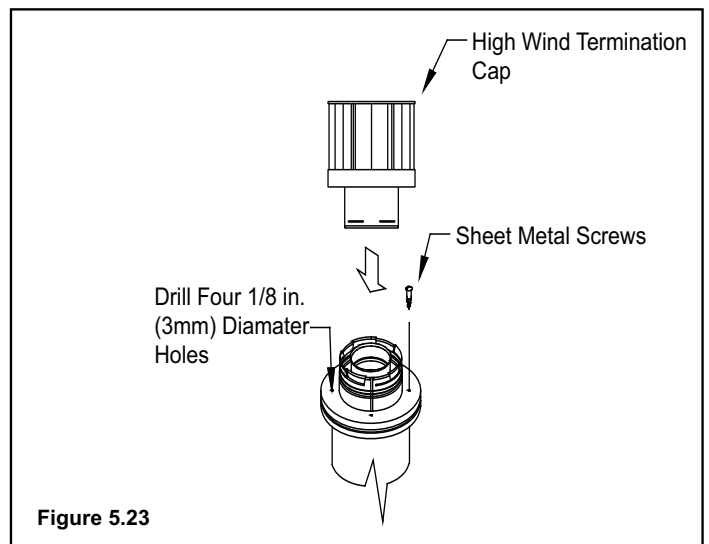


Figure 5.23

Step 5.

Pull the flex pipe down through the ceiling support box, until it protrudes approximately 3 in. (76mm). Connect the flex pipe to the retro connector, and attach with sheet metal screws.

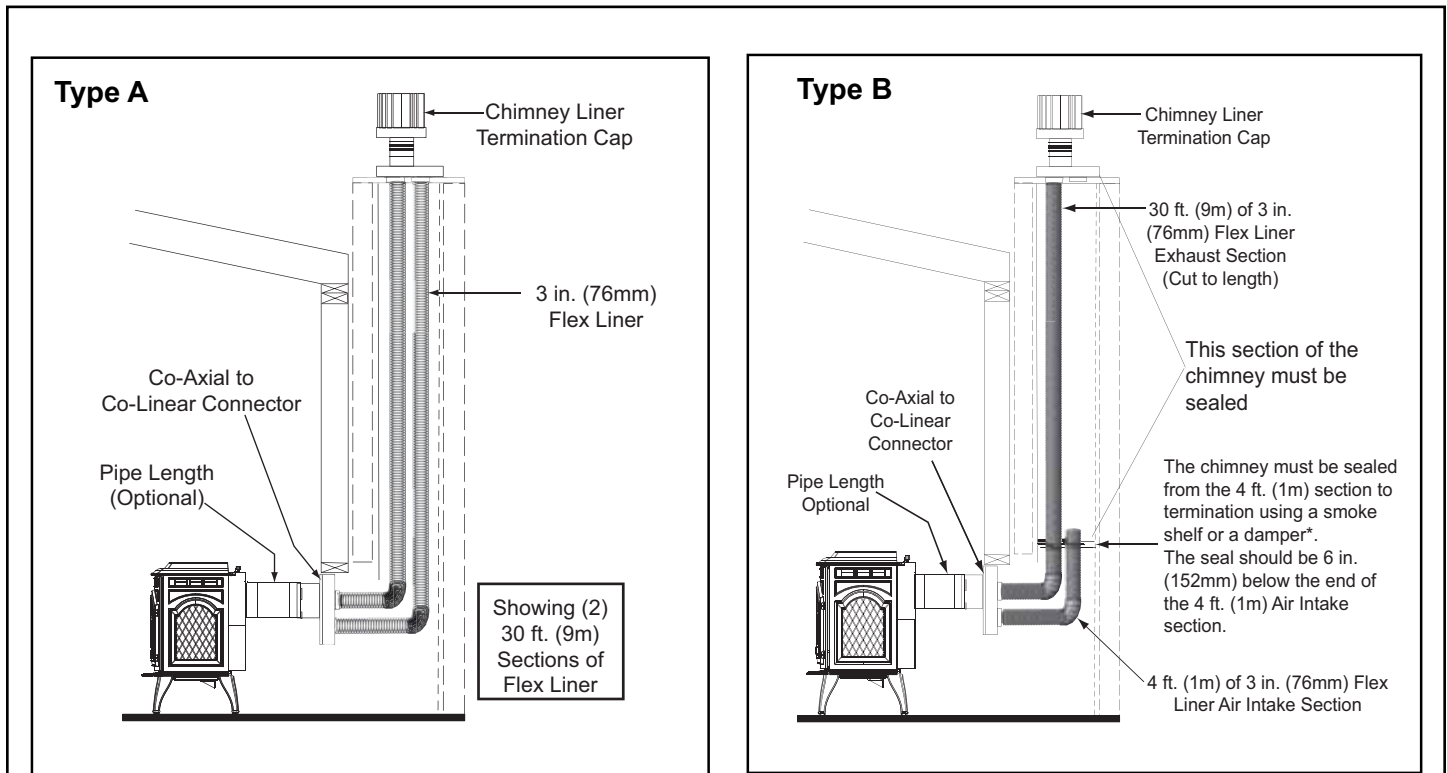
Step 6.

Push the flex pipe back up into the ceiling support box, center the retro connector, and attach it to the support box with sheet metal screws.

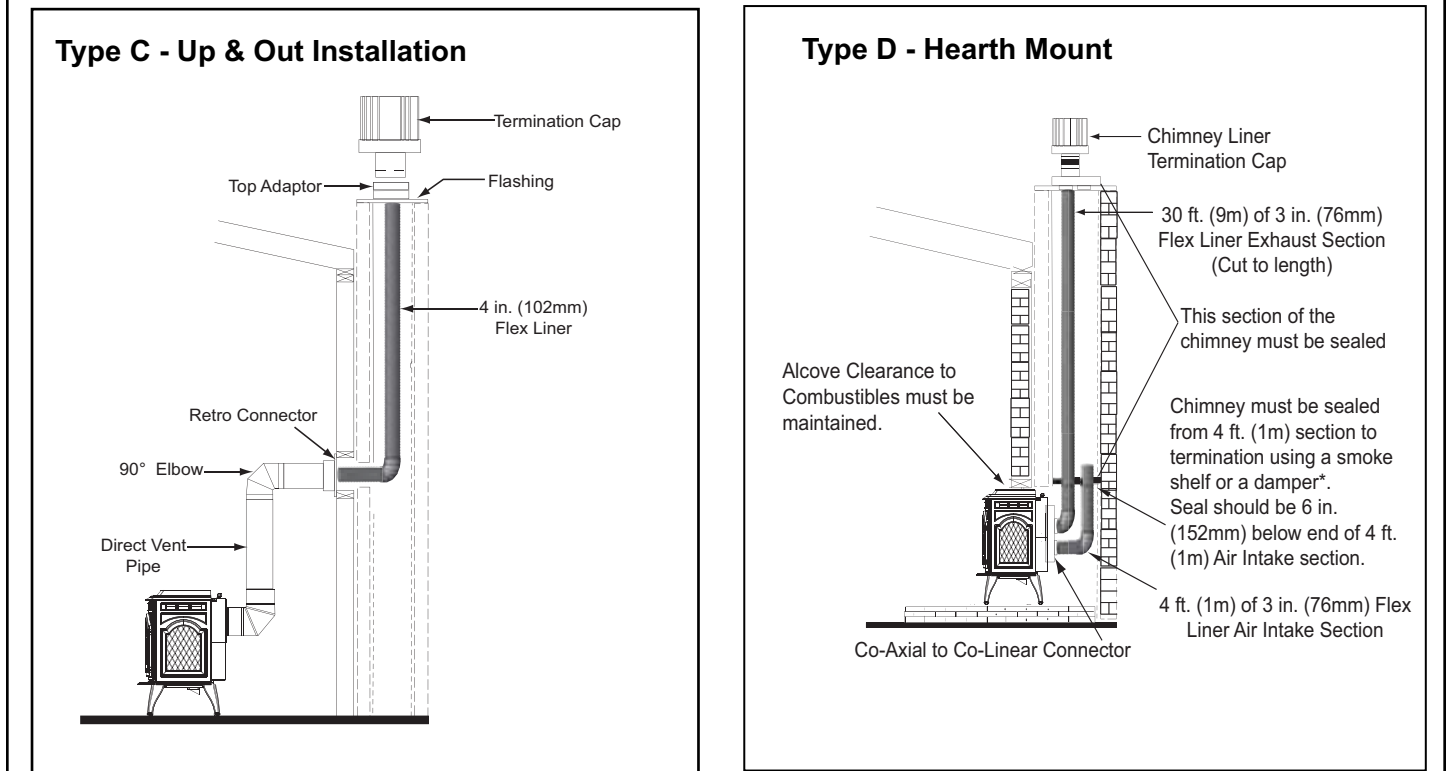
Step 7.

The connection between the appliance and the retro connector may be completed with sections of direct vent pipe.

4. Existing Masonry Chimney



Type A & B Co-Axial to Co-Linear



*NOTE: In the Commonwealth of Massachusetts, the word damper shall be replaced with the words flue restrictor.

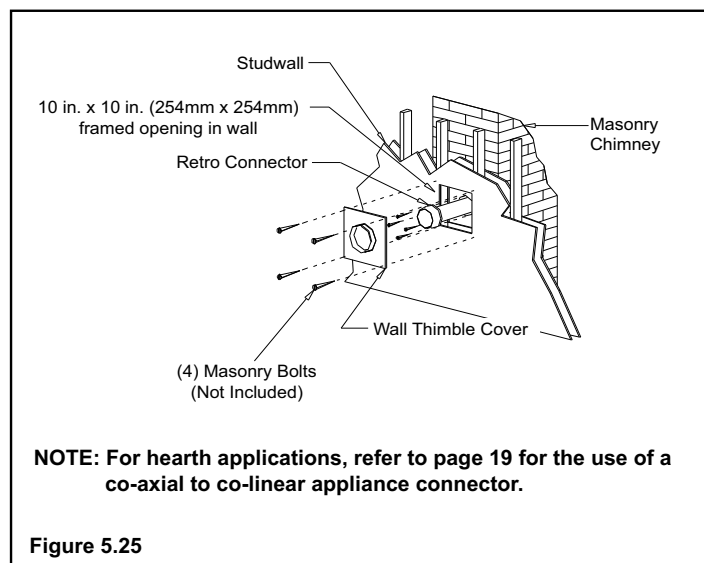
Figure 5.24

Step 1.

Before cutting any holes, assemble the desired sections of direct vent pipe to determine the center of the masonry penetration.

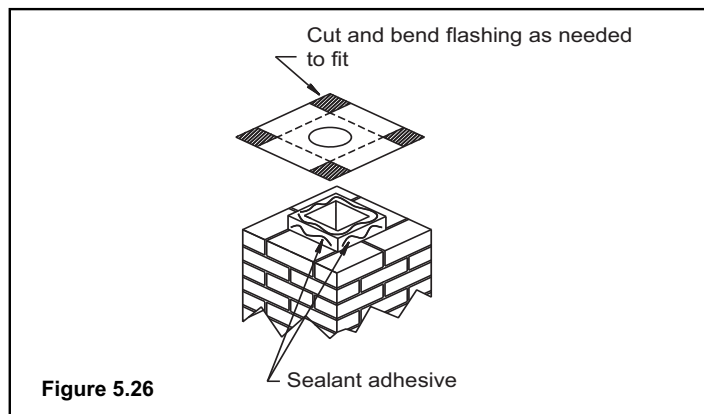
Step 2.

Once the center point of the penetration has been determined, cut a 6 in. (152mm) diameter hole in the masonry. If the hole is too large, the retro connector might not mount properly; if the hole is too small, the appliance might starve for intake air. If there is a frame wall in front of the masonry wall, cut and frame a 10 in. (254mm) square opening in the wall (centered around the 6 in. (152mm) masonry opening). If there is sheet rock only (no studs) in front of the masonry the 10 in. (254mm) opening is still needed, but does not need to be framed. If the hole is framed a wall thimble is required. This allows the retro connector to mount directly on the masonry and provide the correct clearances to combustibles (**Figure 5.25**).



Step 3.

Secure the flashing to the top of the masonry chimney using a bead of non-hardening sealant-adhesive. If the flashing is larger than the top of the chimney, cut and fold flashing as needed to fit chimney (**Figure 5.26**).



Step 4.



To determine the length of flex needed, measure from 3 in. (76mm) above the top of the flashing down to the level of the opening. Add the distance from the center of the chimney out through the wall. Cut a piece of 4 in. (102mm) flex to this length (extended to its nominal length). Be sure to leave 2-3 in. (51-76mm) of flex above the existing chimney to allow for connection to the termination kit.

Step 5.

Connect the flex liner to the top adapter using three sheet metal screws (**Figure 5.21**, page 19).

Step 6.

Feed the flex liner through the flashing into the chimney. Carefully feed the flex liner down the chimney to the bottom and out the opening in the masonry wall, forming an angle to line up the flex liner with the vent opening on the appliance.

 WARNING	
	<p>Fire Risk. Explosion Risk.</p> <ul style="list-style-type: none">Do not let the flex liner sag below the level at which it will connect to the appliance or connector. This could allow hot gas to become trapped and potentially become a fire hazard. The flex liner path should always be sloped up toward the termination cap.

Step 7.

If additional lengths of flex liner are needed to span the chimney height, use a flex coupler to connect the pieces of flex liner together. Connect the flex to the coupler by using four sheet metal screws for each side (**Figure 5.27**, on the next page).

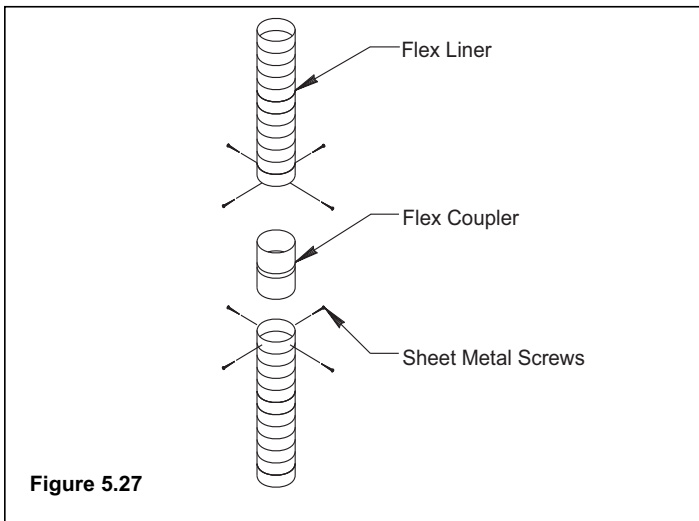


Figure 5.27

Step 8.

Secure the top adapter to the flashing. Use three sheet metal screws through the side of the top adapter into the flange on the flashing (Figure 5.28). Twist lock the high wind termination cap on to the top adapter.

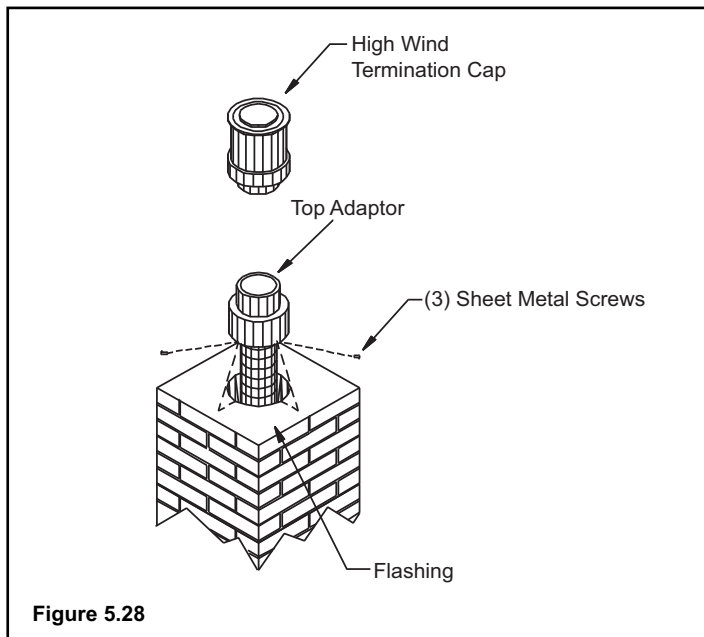


Figure 5.28

Step 9.

Attach the flex to the retro connector. Use three sheet metal screws to attach the flex liner to the connector (Figure 5.29). Mount the retro connector to the masonry wall using masonry bolts. Redrill larger holes on connector as needed. Be careful to ensure that the connector is centered in the opening and the mounting holes line up with the masonry wall.

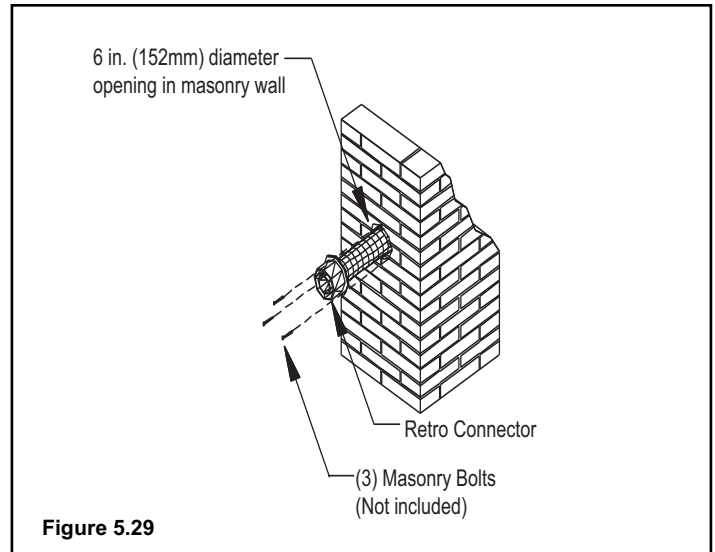


Figure 5.29

Step 10.

Slide wall thimble cover over retro connector and secure with masonry bolts (Figure 5.30). If you have a framed wall in front of the masonry, use wood screws to mount wall thimble cover to framed wall, over retro connector and 10 in. (254mm) square framed opening (Figure 5.25, page 21). If needed, add a section of direct vent pipe to the retro connector in order to extend through the opening in the wall thimble cover.

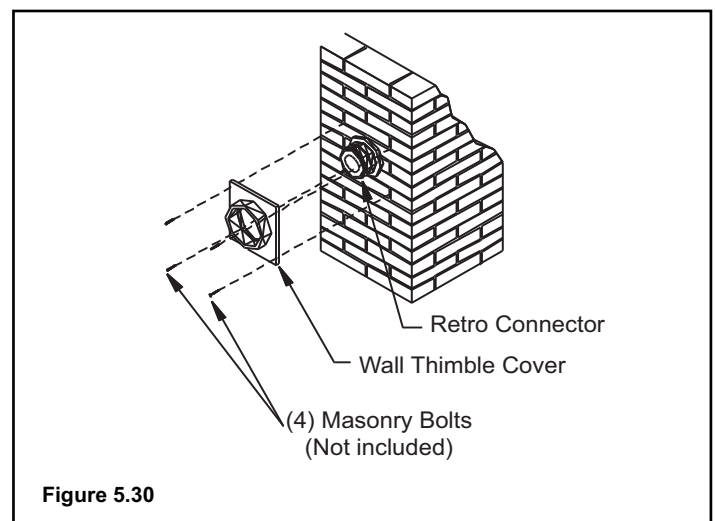


Figure 5.30

Step 11.

The connection between the appliance and the retro connector may be completed with sections of direct vent pipe.

6

Gas Information

A. Fuel Conversions

Before making gas connections ensure that the appliance being installed is compatible with the available gas type.

Any natural or propane gas conversions necessary to meet the appliance and locality needs must be made by a qualified technician using Hearth & Home Technologies specified and approved parts.

1. Converting to LP Gas

NOTE: Gas conversions should only be performed by a qualified service person, and/or where required by state and local codes, licensed installer/service technician. In the Commonwealth of Massachusetts, installation must be performed by a licensed plumber or gas fitter.

KIT CONTENTS: Replacement orifice; replacement pilot injector; valve regulator; conversion label.

TOOLS REQUIRED: #2 phillips screwdriver, slotted screwdriver or Torx TH20, 5/32 in. Allen wrench, 3/32 in. Allen wrench, 5/8 in. open end wrench, 7/16 in. socket, socket wrench, and extension.

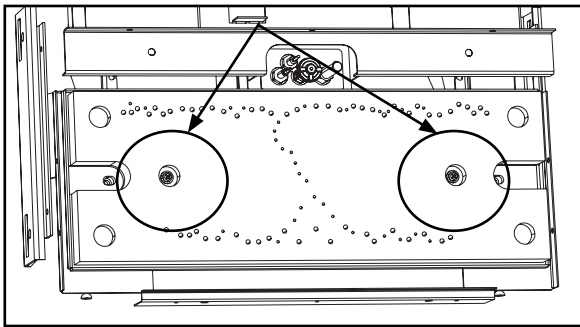


Figure 6.1 Remove front, glass, and logs (if installed). Remove the optional brick set, if installed. Remove the two screws, one on each side of burner. Retain fasteners for reinstallation. Lift burner up and out of the firebox.

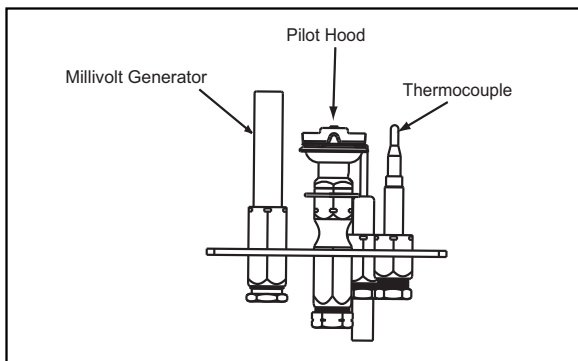


Figure 6.2 Pull off the pilot hood and set it aside.

NOTE: Do not remove the retaining clip from the hood.

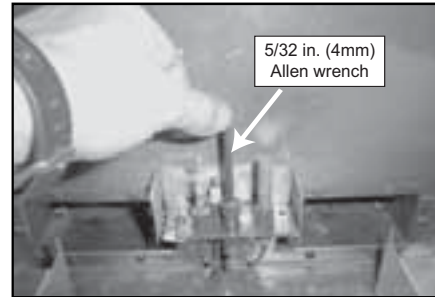


Figure 6.3 Use a 5/32 in. Allen wrench to remove the pilot injector. Replace pilot injector with the one supplied with the appliance (#35 for Propane, #62 for Natural Gas). Replace the pilot hood, snapping into position.



Figure 6.4 Remove the main burner orifice using a 5/8 in. wrench. Replace orifice with the proper size as indicated for your gas type and venting.

PROPANE
.063

NATURAL GAS
.106

Reinstall burner by placing it into the firebox.

Installation is the reverse of the removal. Tighten thumb-screws only finger tight. **DO NOT OVERTIGHTEN.** Reinstall the optional brick set, if applicable.

Reinstall logs, glass and front.

2. Valve Regulator Replacement

WARNING

Fire Risk.
Explosion Risk.

- Disconnect any electrical cords and turn off gas supply to unit before proceeding if converting fuel on an appliance already fully installed.

Remove upper and lower back shield. Loosen the set collars on the extension rods with the 3/32 in. Allen wrench. Remove the rods and adapter cap.

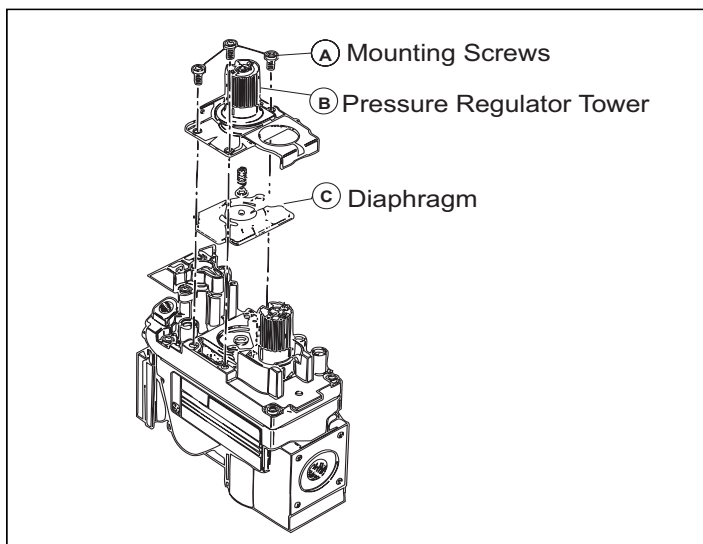


Figure 6.5 Turn control knob to the OFF position, ensure that gas supply to the valve has been turned off. Using a Torx TH20, or slotted screwdriver, remove the three pressure regulator mounting screws (A), pressure regulator tower (B), and diaphragm (C).

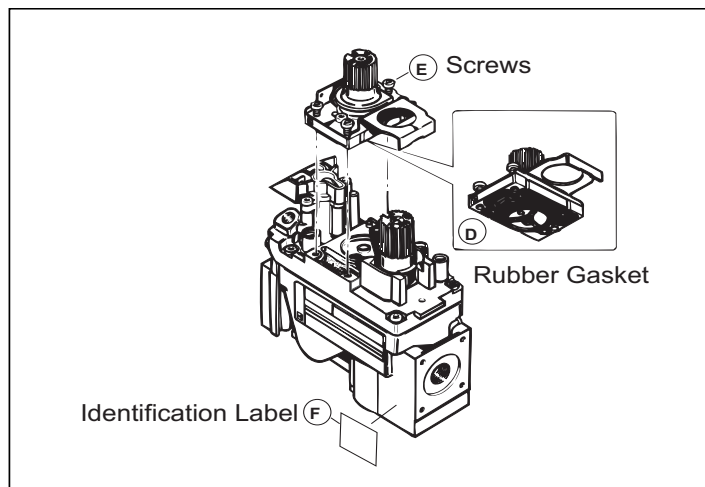


Figure 6.6 Ensure that the rubber gasket (D) is properly positioned and install the new HI/LO pressure regulator assembly to the valve using the new screws (E) supplied with the kit. Tighten screws securely. (Reference torque = 25 in./lb.) Install the enclosed identification label (F) to the valve body where it can be seen.

Fill out the conversion label and attach it to the valve cover.

WARNING

Fire Risk.
Explosion Risk.
Gas Leak Risk.

- Rubber gasket must be seated properly on valve face.
- Do no install a valve or regulator that has been dropped.


WARNING


Fire Risk.
Explosion Risk.

- If the information in these instructions is not followed exactly, a fire, explosion or production of carbon monoxide may result causing property damage, personal injury or loss of life.
- The qualified service agency is responsible for the proper installation of this conversion kit. The installation is not proper and complete until the operation of the converted appliance is checked as specified in the manufacturer's instructions supplied with the kit.

B. Gas Pressures


Proper input pressures required for optimum appliance performance, gas line sizing requirements need to be followed from NFPA51.



WARNING




Fire Risk.
Explosion Hazard.
High pressure will damage valve.

- Disconnect gas supply piping **BEFORE** pressure testing gas line at test pressures above 1/2 psig.
- Close the manual shutoff valve **BEFORE** pressure testing gas line at test pressures equal to or less than 1/2 psig.





WARNING



Verify inlet pressures.

- High pressure may cause overfire condition.
- Low pressure may cause explosion.

Install regulator upstream of valve if line pressure is greater than 1/2 psig.



Pressure requirements for appliance are shown in the table below.

PRESSURE	NG	LP
Minimum Inlet Pressure	5 inches w.c.	11 inches w.c.
Maximum Inlet Pressure	10 inches w.c.	13 inches w.c.
Manifold Pressure on "HI"	3.5 inches w.c.	10 inches w.c.

If the pressure is not sufficient, ensure:

- 1) the piping used is large enough.
- 2) the supply regulator is adequately adjusted.
- 3) that the total gas load for the residence does not exceed the amount supplied.


The supply regulator (the regulator that attaches directly to the residence inlet or to the propane tank) should supply gas at the suggested input pressure listed above. Contact the local gas supplier if the regulator is at an improper pressure.


C. Gas Connection

NOTE: Have the gas supply line installed in accordance with local building codes, if any. If not, follow ANSI Z223.1. Installation should be done by a qualified installer approved and/or licensed as required by the locality. (In the Commonwealth of Massachusetts, installation must be performed by a licensed plumber or gas fitter.)

NOTE: A listed (and Commonwealth of Massachusetts approved) 1/2 inch (13mm) T-handle manual shut-off valve and flexible gas connector are connected to the 1/2 inch (13mm) control valve inlet.

- If substituting for these components, please consult local codes for compliance.**


WARNING



Gas Leak Risk.

- Support control when attaching pipe to prevent bending gas line.

NOTE: The gap between the supply piping and gas access hole may be plugged with non-combustible insulation to prevent cold air infiltration.

Leak test all gas line joints and the gas control valve prior to and after starting the fireplace.

Before making the gas connection, ensure that the appliance you are installing is designed for the type of gas being supplied. This information can be found on the Ratings Label under the appliance. If the appliance has been converted to propane (LP), the valve cover should have a label stating that the unit has been converted to propane.

Connect the gas line at the 3/8 in. (9.5mm) pipe connector on the valve at the back of appliance. We recommend connecting the appliance with an approved flex gas line. If flex gas lines are not approved in your area, you must connect a hard pipe to the gas hookup.

You must supply a manual shut-off valve in a visible location within 3 feet (914mm) of the appliance.

 **WARNING**



Fire or Explosion Hazard

- Gas build-up during line purge may ignite.
- Purge should be performed by qualified technician.
- Ensure adequate ventilation.
- Ensure there are no ignition sources such as sparks or open flame.



- A small amount of air will be in the gas supply lines. When first lighting appliance it will take a short time for air to purge from lines. When purging is complete the appliance will light and operate normally.

Air only needs to be purged again if gas valve has been turned to the OFF position.

Omni-Test Laboratories listed gas appliances are tested and approved without requiring changes for elevations from 0 to 2000 feet in the U.S.A. and 0 to 4500 feet in Canada.

When installing this appliance at an elevation above 2000 feet, it may be necessary to decrease the input rating by changing the existing burner orifice to a smaller size. Input rate should be reduced by 4% for each 1000 feet above a 2000 foot elevation in the U.S.A. If the heating value of the gas has been reduced, these rules do not apply. To identify the proper orifice size, check with the local gas utility.

If installing this appliance at an elevation above 4500 feet (in Canada), check with local authorities.

 **WARNING**



CHECK FOR GAS LEAKS

Explosion Risk
Fire Risk
Asphyxiation Risk

- Check all fittings and connections.
- Do not use open flame.
- After the gas line installation is complete, all connections must be tightened and checked for leaks with a commercially-available, non-corrosive leak check solution. Be sure to rinse off all leak check solution following testing.



Fittings and connections may have loosened during shipping and handling.

 **WARNING**



Fire hazard.

Do NOT change the valve settings.

- This valve has been preset at the factory.
- Changing valve settings may result in fire hazard or bodily injury.

7

Electrical Information

A. Recommendation for Wire

See B5 below for recommended maximum lead length (two wire) when using wall thermostat/switch.

NOTE: This appliance must be electrically wired and grounded in accordance with local codes or, in the absence of local codes, with **National Electric Code ANSI/NFPA 70-latest edition** or the **Canadian Electric Code, CSA C221.1**.

B. Connecting to the Appliance

WARNING



Wire 110v to electrical junction box.
Do NOT wire 110v to the valve.
Do NOT wire 110V to wall switch.
• Incorrect wiring will damage millivolt systems.



1. This appliance may be used with a wall switch, wall mounted thermostat and / or a remote control.
2. If using thermostat, use one compatible with a millivolt gas valve system.
3. Follow parameters for locating thermostat (see individual thermostat instructions) to ensure proper operation of appliance.
4. Use low resistance thermostat wire for wiring from ignition system to the wall switch and thermostat.
5. Use the following chart for wire sizing.

Wire Size	Max. Length
16 gauge	65 feet
18 gauge	40 feet
20 gauge	25 feet
22 gauge	18 feet

6. Keep wire lengths as short as possible by removing any excess wire length.
7. Low voltage and 110 VAC voltage cannot be shared within the same wall box.

8. Ensure the thermostat is mounted level for accurate readings.
9. The thermostat should be mounted on an inside wall and not in direct line with the appliance convection air.
10. If the thermostat is located too close to the appliance, you may need to set the temperature setting slightly higher to maintain the desired temperature in your home.

Do not connect this appliance to a thermostat serving any other appliance.

Bedroom installation in Canada requires this appliance to be connected to a thermostat.

WARNING



Shock hazard.

- This appliance is equipped with a three pronged (grounding) plug for your protection against shock hazard and should be plugged directly into a properly grounded three prong receptacle. Do not cut or remove the grounding prong from this plug.

C. Standing Pilot Ignition System Wiring

This appliance **DOES NOT** require 110 VAC supply for operation. A wiring diagram is shown in **Figure 7.1** on the next page.

This appliance is equipped with a millivolt control valve.

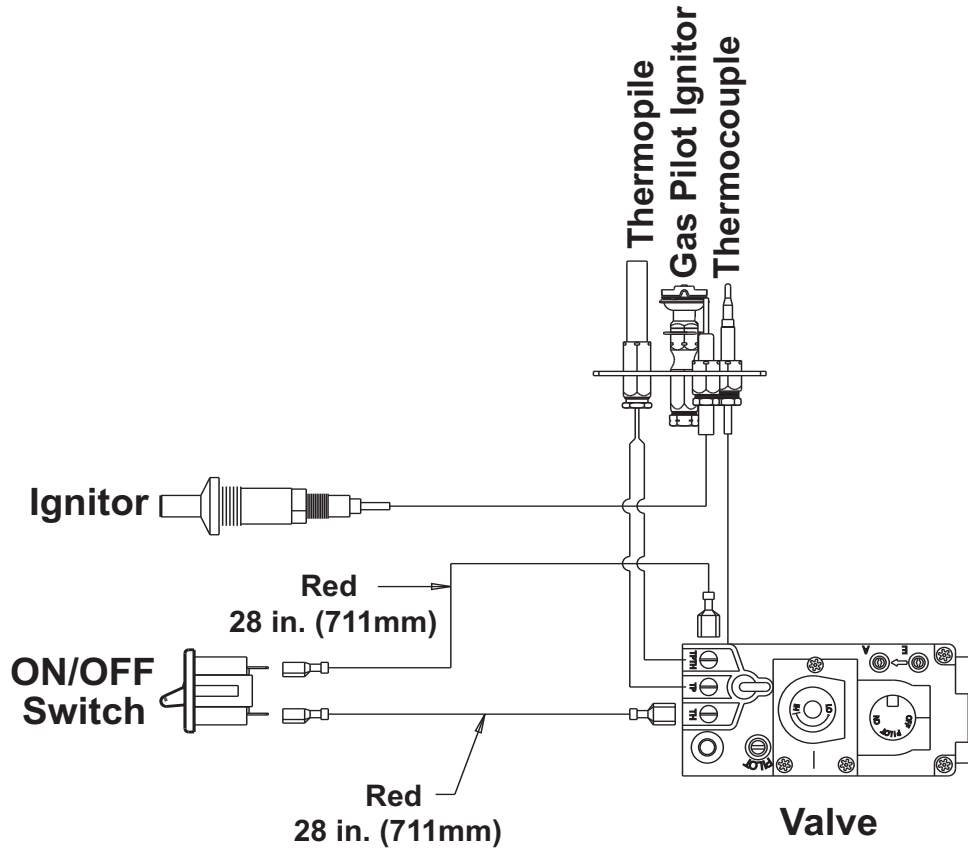


Figure 7.1

CAUTION

Label all wires prior to disconnection when servicing controls. Wiring errors can cause improper and dangerous operation. Verify proper operation after servicing.



CAUTION

Shock hazard.

- Replace damaged wire with type 105° C rated wire.
- Wire must have high temperature insulation.

8

Appliance Setup

A. Remove Shipping Materials

Remove shipping materials from inside or underneath the firebox.

B. Accessories

Install approved accessories per instructions included with accessories. Refer to Section 12 for appropriate accessories.

	WARNING Shock or fire risk. Use ONLY optional accessories approved for this appliance. <ul style="list-style-type: none">• Using non-listed accessories voids warranty.• Using non-listed accessories may result in a safety hazard.• Only Hearth & Home Technologies approved accessories may be used safely.
---	--

C. Top to Rear Vent Conversion

KIT CONTENTS: Rear vent grill.

TOOLS REQUIRED: Power drill; #2 Phillips bit; high-temp silicone sealant (optional.)

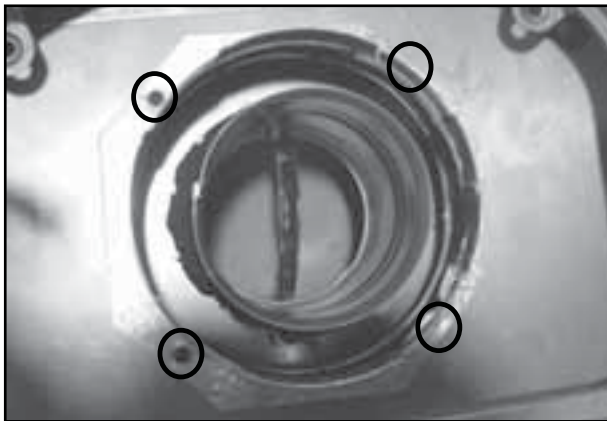




Figure 8.1 Remove top trivet, if installed. Remove vent pipe adapter and gasket by removing 4 screws as indicated. (If gasket breaks, apply high-temp silicone to bottom of adapter before installing (shown in **Figure 8.4**).

CAUTION		
	Sharp Edges <ul style="list-style-type: none">• Wear protective gloves and safety glasses during installation.	

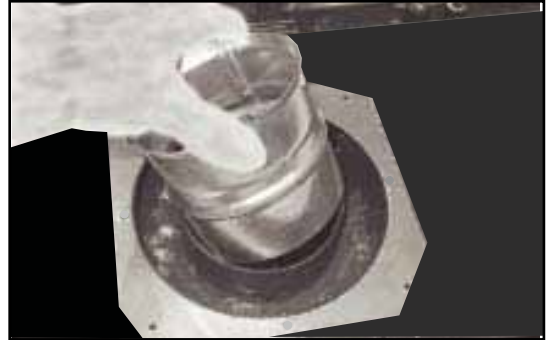


Figure 8.2 Remove the inner collar adapter.

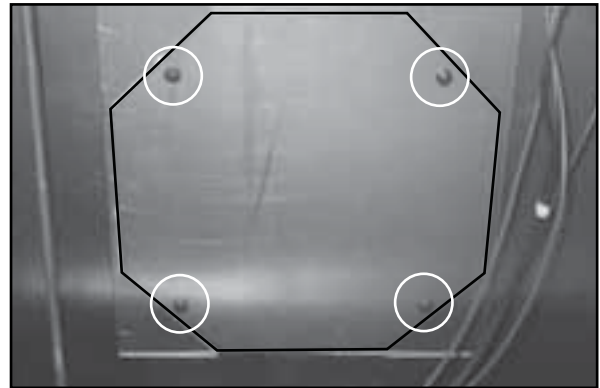


Figure 8.3 Remove the rear valve cover shield. Remove the rear access plate and gasket by removing four screws. Save the screws. Place the cover shield and gasket over the top vent and attach with the four screws previously removed.



Figure 8.4 Insert the inner collar adapter to the rear vent flue.

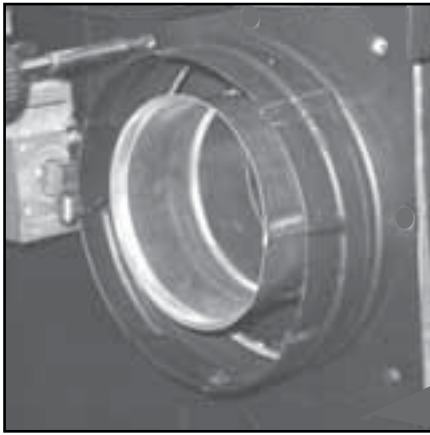


Figure 8.5 Install the vent pipe adapter with gasket or high-temp silicone to the rear vent opening.

E. Leg Leveling System

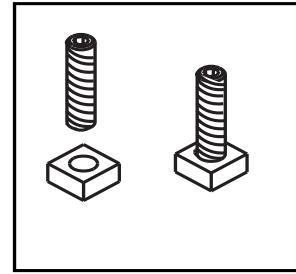


Figure 8.8 Thread Allen bolts through nuts until flush.

NOTE: Two Allen bolts and two nuts are included in the component bag. Normally, only one is required on the leg not touching the floor.

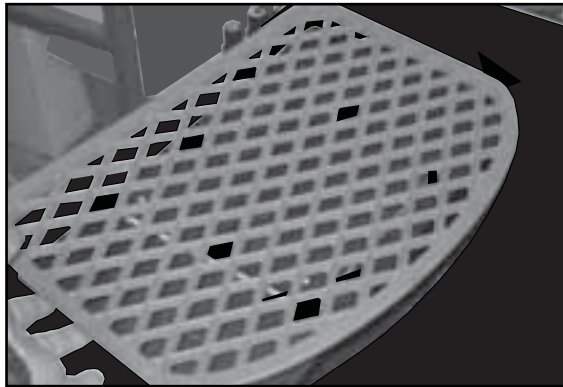


Figure 8.6 Place the grille gently into the opening on top of the appliance.

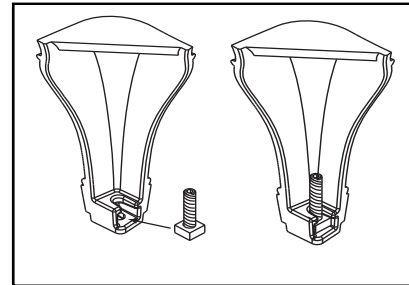


Figure 8.9 Slide assembled nuts and bolts into slots on legs with the nuts on the bottom.

D. Baffle Installation/Adjustment

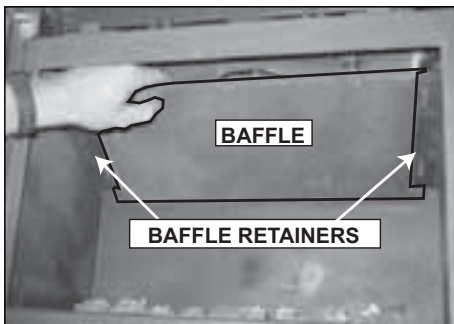


Figure 8.7 Position baffle on top of baffle retainers on left and right sides. Centering baffle on retainers, ensure that the dark painted bevelled edge and darker painted baffle bottom side faces toward the front viewing area of the firebox. Bend the center tabs up to prevent the baffle from sliding out.

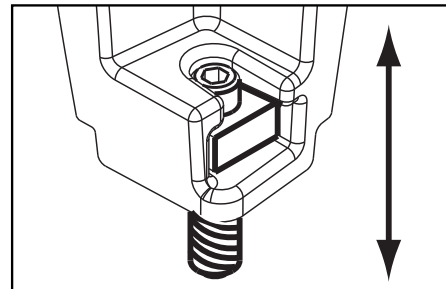


Figure 8.10 Use a 5/32 in. (4mm) Allen wrench to adjust legs up and down to desired level.

F. Positioning the Logs

While still breakable, the logs do not become fragile until after the appliance is burned and they have cured. After curing, any handling must be done with care as breakage can easily occur.

PLEASE NOTE: Logs have been designed to work specifically with the burner of this appliance. Exact placement will ensure proper operation of your gas appliance and reduce sooting.

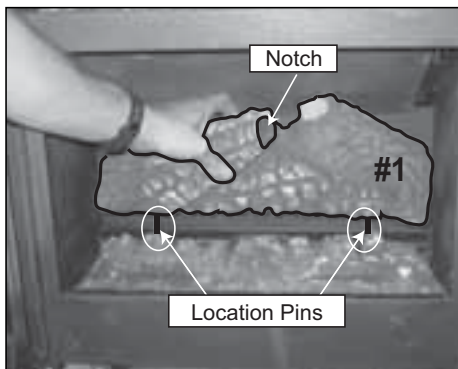


Figure 8.11 Position rear log (#1) over the two locating pins.



Figure 8.12 Put right front log (#2) into place on burner. Lean log back towards rear log until it fits into notch in rear log.

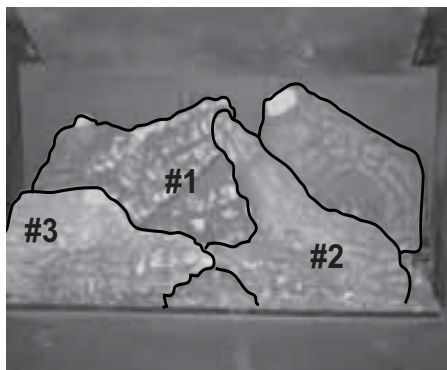



Figure 8.13 Place left front log (#3) into place on burner.

G. Mineral Wool

⚠ WARNING	
	Explosion Risk.
	<ul style="list-style-type: none">• Follow ember placement instructions in manual.• Do NOT place embers directly over burner ports.• Replace ember material annually.
Improperly placed embers interferes with proper burner operation.	

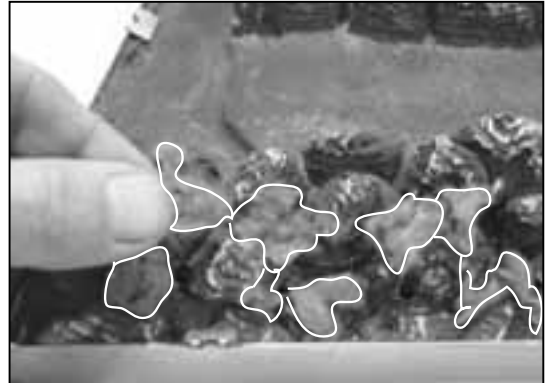


Figure 8.14 Place individual pieces of embers in front of and around the gas log where they can be seen. Space them so that gas can contact them on all sides. Avoid stacking the embers on top of each other.

NOTE: Do not block gas ports.

H. Opening Front Door

The front door is held closed by a magnet. To open the door, pull gently from the right side as you face the appliance.

I. Glass Door Assembly

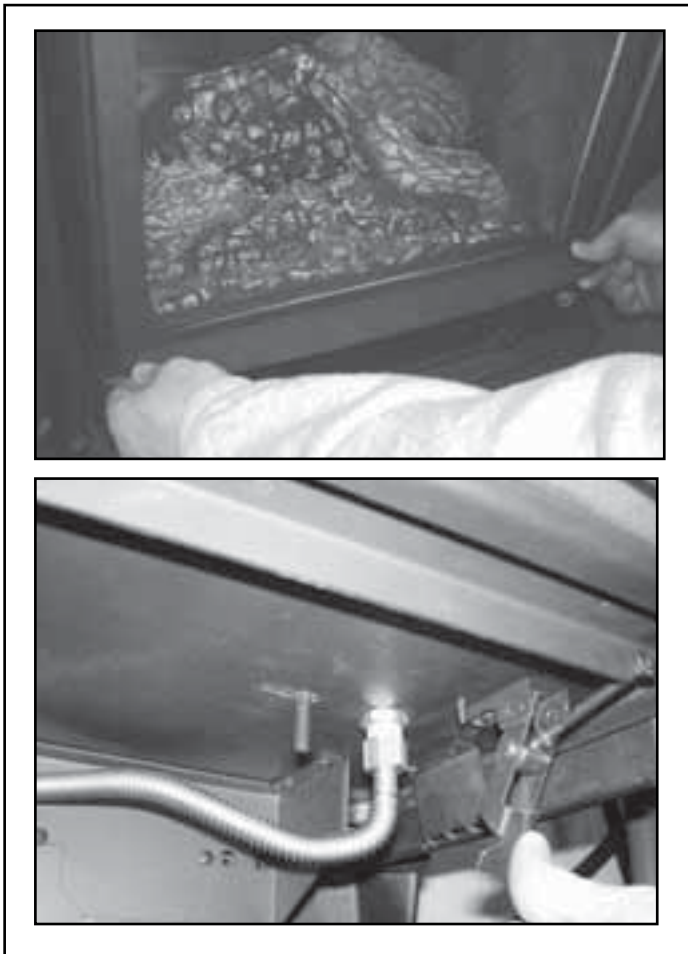


Figure 8.15 Turn the appliance OFF and let it cool down before replacing the inner glass door assembly.

Remove the glass door assembly by opening latches at the bottom front of the appliance, on both the left and right sides. Lift out and away from the appliance.

Replace with a new glass door assembly.

NOTE: The glass, gasketing, and frame must be replaced as a complete unit as supplied by the manufacturer.

Do NOT use substitute material.

CAUTION



Handle glass assembly with care.

- Inspect the gasket to ensure it is undamaged.
- Inspect the glass for cracks, chips or scratches.
- Do NOT strike, slam or scratch glass.
- Do NOT operate appliance with glass door removed, cracked, broken or scratched.
- Replace glass assembly as a complete assembly.

J. Blower Installation

FROM THE KIT YOU WILL NEED: Blower motor; wire harness; rheostat; rheostat nut; knob; screws; and 1 zip-tie.

FROM THE STOVE COMPONENT BAG YOU WILL NEED: snap disc bracket and 5/16 in. nut.

TOOLS REQUIRED: #2 Phillips head bit; hand drill; 11/16 in. wrench; and a 5/16 in. wrench.

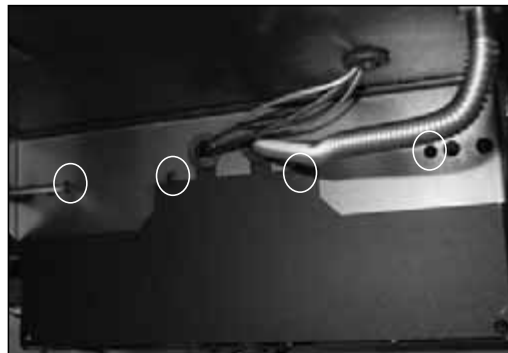


Figure 8.16 Turn off gas supply (if gas is connected), and remove the rear shield. Remove the blower from packaging. Place the blower under the appliance. Attach the blower from the front with four screws to the blower bracket.

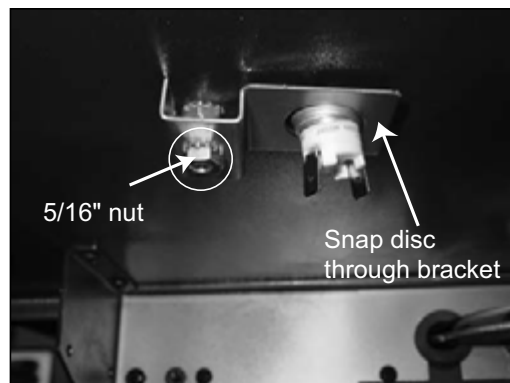


Figure 8.17 Install the snap disc in the bracket. Attach the bracket to the firebox with a 5/16 in. wrench.



Figure 8.18 Connect the electrical connector to the snap disc.



Figure 8.19 Install speed control to switch panel. Attach knob to speed control.

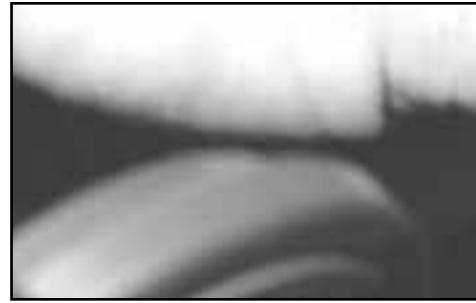


Figure 8.20 Cut out the rheostat/speed control cover on rear shield. Reinstall rear shield.

Connect the blower to the power supply and turn on the gas supply.

NOTE: This blower utilizes a snap disc to control ON and OFF operation. When the correct temperature is reached, the blower will automatically turn ON. Use the rheostat/speed control knob to adjust the fan speed to suit your preferences.

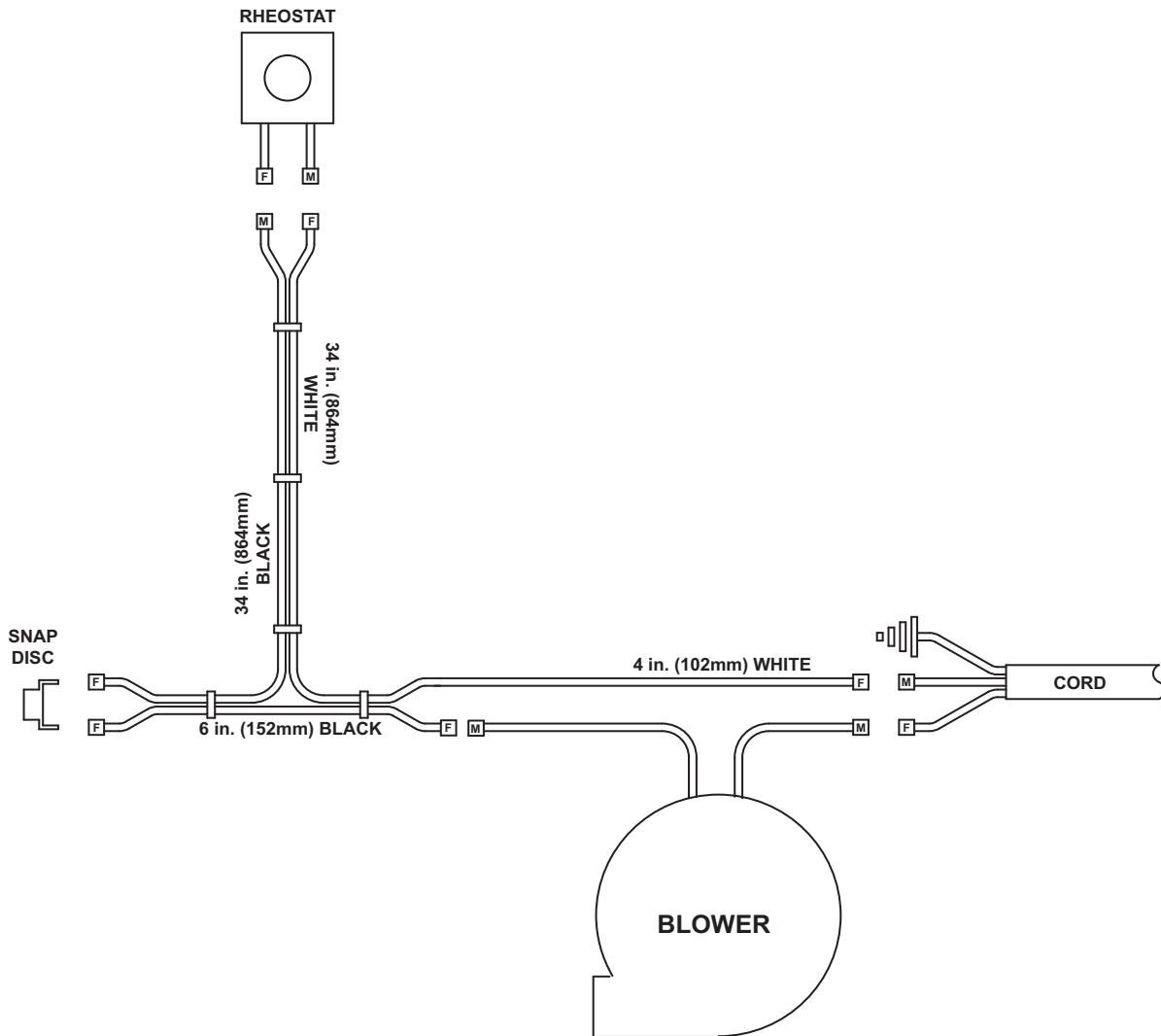


Figure 8.21 Blower Wiring Diagram

K. Damper Adjustment (For top or rear vent installations)

See vent graph for recommendations on page 11 before you begin your adjustment. If your installation falls within the range of the gray shaded area of graph, it may be necessary to make an adjustment to the vertical damper to improve the flame appearance in your appliance.

1. Top Vent Installations:

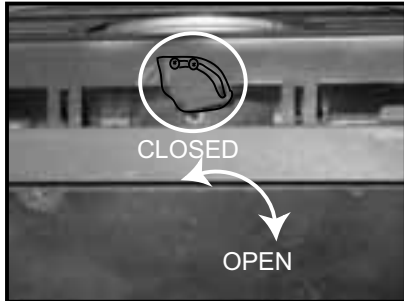


Figure 8.22 Locate the damper adjustment on the intake plenum, accessing through the appliance front. Adjustor is centered at the top of the appliance.

Let appliance warm up before adjusting.

Loosen screws using a Phillips head screwdriver.

Pivot the vertical damper adjuster in 1/4 in. (6mm) increments while observing the flame activity.

Turning clockwise to open damper = less flame height and more blue in flame color.

Turning counterclockwise to close damper = increased flame height and more yellow in flame color.

Make adjustment until flame size and activity suits your personal preference, and then retighten screws on adjustment control.

2. Rear Vent Installations:

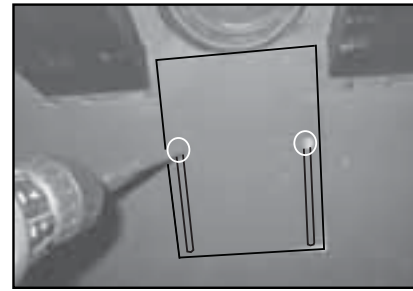


Figure 8.23 The rear vent damper is located in the back of the firebox. It is recommended to make adjustment prior to installation.

Remove the front, glass, logs, and brick (if installed).

Loosen screws and slide up to suggested settings (See vent graph on page 11).

Tighten screws.

Reinstall front, glass, logs and brick (if applicable).

NOTE: In the Commonwealth of Massachusetts, the word damper shall be replaced with the words flue restrictor.

L. Shutter Adjustment

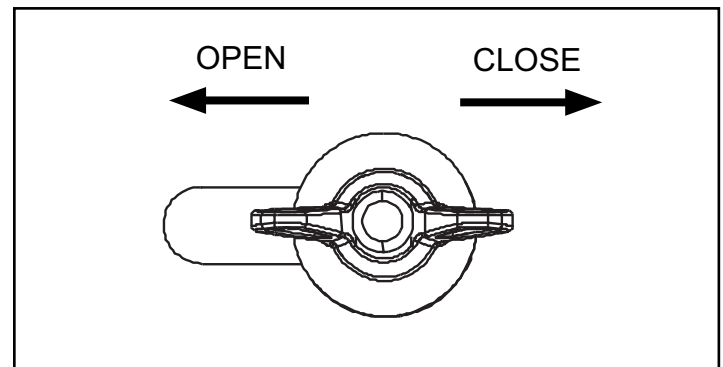


Figure 8.24 The shutter is located on the underside of the appliance, on the right side. To adjust the shutter, loosen the wingnut..

Moving the shutter bolt to the right closes the shutter. Moving the shutter bolt to the left, will open the shutter. Opening the shutter causes flames to become shorter and blue. Closing the shutter creates taller orange/yellow flames.

NOTE: Do not close so much as to cause a sooty flame. Improper adjustment can cause sooting in the firebox and/or on the outside of a house with a horizontal termination.

After adjustment, tighten wingnut to lock in place.



9



Operating Instructions

A. Before Lighting Appliance

Read this entire manual prior to using the appliance. Failure to follow the instructions may result in property damage, bodily injury, or even death.

- Remove all shipping materials from inside and/or underneath the firebox.
- Review proper placement of logs, mineral wool.
- Check the wiring.
- Check the baffle adjustment.
- Ensure that there are no gas leaks.
- Ensure that the glass is sealed and in the proper position.
- Ensure that the flow of combustion and ventilation air is not obstructed (front grilles and vent caps).

 WARNING	
	<p>Glass door must be in place when appliance is operating.</p> <p>Risk of:</p> <ul style="list-style-type: none">• Combustion Fumes• Fire <p>Do NOT operate appliance with glass door removed.</p> <ul style="list-style-type: none">• Open viewing glass for servicing only.• Glass door MUST be in place and sealed before operating appliance.• Only use glass door certified for use with appliance.• Glass replacement should be done by qualified technician.

 WARNING	
	<p>HOT! DO NOT TOUCH. SEVERE BURNS MAY RESULT. CLOTHING IGNITION MAY RESULT.</p> <p>Glass and other surfaces are hot during operation and cool down.</p> <ul style="list-style-type: none">• Keep children away.• CAREFULLY SUPERVISE children in same room as appliance.• Alert children and adults to hazards of high temperatures.• Do NOT operate with protective barriers open or removed.• Keep clothing, furniture, draperies and other combustibles away.

 WARNING
--

Improper installation, adjustment, alteration, service or maintenance can cause injury or property damage. Refer to the owner's information manual provided with this appliance. For assistance or additional information consult a qualified installer, service agency or the gas supplier.
--

 WARNING
--

Do NOT use this appliance if any part has been under water. Immediately call a qualified service technician to inspect the appliance and to replace any part of the control system and any gas control which has been under water.
--

B. Controls

FAN SPEED: This knob controls the speed of the blower that pushes the heated air into the room.

MAIN BURNER: This control is used to turn the appliance on and off.

PILOT IGNITOR: The pilot ignitor is used only to start the pilot. When the valve control knob is turned to the pilot position and fully depressed press the piezo ignitor repeatedly creating a blue spark directly next to the pilot, igniting the pilot flame.

VALVE CONTROL: This knob is used to control gas to the appliance and for starting the pilot. There are three positions, **ON, OFF, & PILOT**. The indicator on the valve indicates the position of the knob.

COMFORT CONTROL: This knob controls the flame height from low ("LO") to high ("HI").

NOTE: If using a remote control wall switch, or thermostat, the On/Off Switch must be left "OFF". Turning the On/Off Switch to "ON" will keep the appliance on continually.

C. Lighting Appliance

FOR YOUR SAFETY READ BEFORE LIGHTING




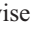
WARNING: If you do not follow these instructions exactly, a fire or explosion may result causing property damage, personal injury or loss of life

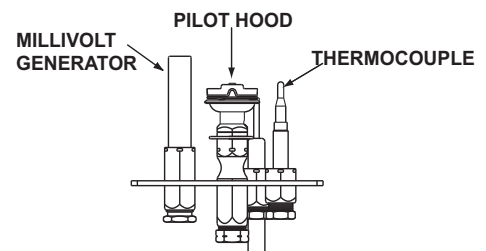
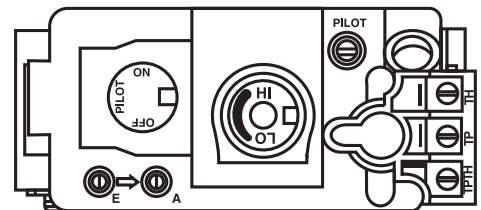
- A. This appliance has a pilot that must be lit manually. When lighting the pilot, follow these instructions exactly.
- B. **BEFORE LIGHTING**, smell around the appliance area for gas. Be sure to smell next to the floor because some gas is heavier than air and will settle on the floor.

WHAT TO DO IF YOU SMELL GAS:


- * Do not try to light any appliance.
 - * Do not touch any electric switch, do not use any phone in your building.
 - * Immediately call your gas supplier from a neighbor's phone. Follow the gas supplier's instructions.
 - * If you cannot reach your gas supplier, call the fire department.
- C. Use only your hand to push in or turn the gas control knob. Never use tools. If the knob will not push in or turn by hand, don't try to repair it, call a qualified service technician. Force or attempted repair may result in a fire or explosion.
 - D. Do not use this appliance if any part has been under water. Immediately call a qualified service technician to inspect the appliance and to replace any part of the control system and any gas control which has been under water.

LIGHTING INSTRUCTIONS

1. **STOP! Read the safety information above on this label.**
2. Set the thermostat to the lowest setting (if applicable) and turn off the switch at the control panel.
3. Disconnect the power from the appliance.
4. Open the door of the appliance. May need to remove face/front first.
5. Push in gas control knob slightly and turn clockwise  to the "OFF" position. Do not force.
6. Wait five (5) minutes to clear out any gas. Smell for gas, including near the floor. If you smell gas, STOP! Follow "B" of the safety information above. If you don't smell gas go to the next step.
7. Push gas control knob in and turn counterclockwise  to the pilot position. NOTE: Knob cannot be turned unless knob is pushed in slightly. Do not force.
8. **PIEZO IGNITER:** Press down on the gas control knob in pilot position and simultaneously press the piezo igniter. (This may take many repetitions for lighting.)
ELECTRONIC IGNITER: If the unit is equipped with an electronic igniter it should begin sparking right away.
9. The pilot should be visible through the door opening.
10. After the pilot is lit, continue holding control knob down for approximately 30 seconds. Release the knob and it will pop back up. Pilot should remain lit.
If it goes out, repeat steps 7 through 9.
 - * If the knob does not pop up when released, stop and immediately call your service technician or gas supplier.
 - * If the pilot will not stay lit after several tries, turn the gas control knob clockwise  to "OFF" and call your service technician or gas supplier.
11. Reinstall door and face. Wait five minutes to allow pilot flame to stabilize and establish proper draft.
12. Push down and turn gas control knob counterclockwise  to "ON".
13. Push burner rocker switch on the control panel to "ON". If thermostat is to be used, leave switch in "OFF" position and set the thermostat to desired setting.
14. Reconnect electrical power to appliance.



TO TURN OFF GAS TO APPLIANCE

1. Set the thermostat to lowest setting.
2. Turn off all electric power to the appliance if service is to be performed.
3. Push in gas control knob slightly and turn clockwise  to "OFF" position.



D. After Appliance is Lit

Initial Break-in Procedure

When you light your appliance, you may notice that it produces heat which does have an associated odor or smell. If you feel this odor is excessive it may require the initial three to four hour continuous burn on high followed by a second burn up to 12 hours to fully drive off any odor from paint and lubricants used in the manufacturing process. Condensation on the glass is normal.



NOTE: The appliance should be run three to four hours on the initial start-up. Turn it off and let it cool completely. Remove and clean the glass. Replace the glass and run the appliance for an additional 12 hours. This will help to cure the products used in the paint and logs.

During this break-in period it is recommended that some windows in the house be opened for air circulation. This will help avoid setting off smoke detectors, and help eliminate any odors associated with the appliance's initial burning.

	 WARNING
	<p>Fire Risk. High Temperatures.</p> <p>Keep combustible household items away from appliance. Do NOT obstruct combustion and ventilation air.</p> <ul style="list-style-type: none"> Do NOT place combustible items on top of or in front of appliance. Keep furniture, draperies away from appliance.

CAUTION
<ul style="list-style-type: none"> Prevent accidental appliance operation when not attended. Unplug or remove batteries from remote control if absent or if appliance will not be used for an extended period of time. Property damage possible from elevated temperatures.

CAUTION
<p>Smoke and odors released during initial operation.</p> <ul style="list-style-type: none"> Open windows for air circulation. Leave room during initial operation. Smoke may set off smoke detectors. <p>Smoke and odors may be irritating to sensitive individuals.</p>

	 WARNING
	<p>Fire Hazard. Keep combustible materials, gasoline and other flammable vapors and liquids clear of appliance.</p> <ul style="list-style-type: none"> Do NOT store flammable materials in the appliance's vicinity. Do NOT use gasoline, lantern fuel, kerosene, charcoal lighter fluid or similar liquids in this appliance. Combustible materials may ignite.

E. Frequently Asked Questions

ISSUE	SOLUTIONS
Condensation on the glass	This is a result of gas combustion and temperature variations. As the appliance warms, this condensation will disappear.
Blue flames	This is a result of normal operation and the flames will begin to yellow as the appliance is allowed to burn for 20 to 40 minutes.
Odor from appliance	When first operated, this appliance may release an odor for the first several hours. This is caused by the curing of the paint and the burning off of any oils remaining from manufacturing. If appliance has not been used for some time, dust can build up and cause an odor.
Film on the glass	This is a normal result of the curing process of the paint and logs. Glass should be cleaned within 3 to 4 hours of initial burning to remove deposits left by oils from the manufacturing process. A non-abrasive cleaner such as gas appliance cleaner may be necessary. See your dealer.
Metallic noise	Noise is caused by metal expanding and contracting as it heats up and cools down, similar to the sound produced by a furnace or heating duct. This noise does not affect the operation or longevity of the appliance.

10

Troubleshooting

With proper installation, operation, and maintenance your gas appliance will provide years of trouble-free service. If you do experience a problem, this troubleshooting guide will assist a qualified service person in the diagnosis of a problem and the corrective action to be taken. This troubleshooting guide can only be used by a qualified service technician.

Symptom	Possible Cause	Corrective Action
1. After repeated triggering of the piezo button, the spark ignitor will not light the pilot.	a. Defective ignitor.	Check the spark at the electrode and pilot. If no spark and electrode wire is properly connected, replace the ignitor.
	b. Defective pilot or misaligned electrode (spark at electrode).	Using a match, light the pilot. If the pilot lights, turn off the pilot and trigger the piezo button again. If the pilot lights, an improper gas/air mixture caused the bad lighting and a longer purge period is recommended. If the pilot will not light, ensure the gap at the electrode and pilot is one-eighth (1/8) inch to have a strong spark. If the gas is OK, replace the pilot.
	c. No gas or low gas pressure.	Check the remote shut-off valve from the appliance. Usually, there is a valve near the gas main. There can be more than one (1) valve from the appliance and the main.
	d. No LP in tank.	Check the LP (propane) tank. You may be out of fuel.
2. The pilot will not stay lit after carefully following the lighting instructions.	a. Defective thermocouple.	<p>Check that the pilot flame impinges on the thermocouple. Clean and /or adjust the pilot for maximum flame impingement.</p> <p>Ensure that the thermocouple connection at the gas valve is fully inserted and tight (hand tighten plus 1/4 turn).</p> <p>Disconnect the thermocouple from the valve, place one millivolt lead wire on the tip of the thermocouple and the other meter wire on the thermocouple copper lead. Start the pilot and hold the valve knob in. If the millivolt reading is less than 15mV, replace the thermocouple.</p>
	b. Defective valve.	If the thermocouple is producing more than 15 millivolts, replace faulty valve.
3. The pilot is burning, there is no gas to the burner, the valve knob is in the ON position, and the ON/OFF switch is in the ON position.	a. ON/OFF switch or wires defective.	Check the ON/OFF switch and wires for proper connections. Place the jumper wires across the terminals at the switch. If the burner comes on, replace the defective switch. If the switch is OK, place the jumper wires across the switch wires at the gas valve. If the burner comes on, the wires are faulty or connections are bad.
	b. Thermopile may not be generating sufficient millivoltage.	<p>If the pilot flame is not close enough physically to the thermopile, adjust the pilot flame.</p> <p>Be sure the wire connections from the thermopile at the gas valve terminals are tight and that the thermopile is fully inserted into the pilot bracket.</p> <p>Check the thermopile with a millivolt meter. Take the reading at TH-TP&TP terminals of the gas valve. The meter should read 325 millivolts minimum, while holding the valve knob depressed in the pilot position, with the pilot lit, and the ON/OFF switch in the OFF position. Replace the faulty thermopile if the reading is below the specified minimum.</p> <p>With the pilot in the ON position, disconnect the thermopile leads from the valve. Take a reading at the thermopile leads. The reading should be 325 millivolts minimum. Replace the thermopile if the reading is below the minimum.</p>

Symptom	Possible Cause	Corrective Action
3. (Continued)	c. Defective valve.	Turn the valve knob to the ON position. Place the ON/OFF switch in the ON position. Check the millivolt meter at the thermopile terminals. The millivolt meter should read greater than 125mV. If the reading is acceptable, and if the burner does not come on, replace the gas valve.
	d. Plugged burner orifice.	Check the burner orifice for stoppage. Remove stoppage.
	e. Wall switch or wires are defective.	Follow the corrective action in Symptom and Possible Cause 1.a. Check the switch and wiring. Replace where defective.
4. Frequent pilot outage problem.	a. Pilot flame may be too high or too low, or blowing (high), causing safety pilot to drop out.	Clean and adjust the pilot flame for maximum flame impingement on thermocouple. Follow lighting instructions carefully.
5. The pilot and main burner extinguish while in operation.	a. No LP in tank.	Check the LP (propane) tank. Refill the fuel tank.
	b. Inner vent pipe leaking exhaust gases back into the system.	Check for proper vent connection at flue collar and all vent joints.
	c. Horizontal vent improperly pitched.	The horizontal vent cap should slope down only enough to prevent any water from entering the appliance.
	d. Bad thermopile or thermocouple.	Replace if necessary.
	e. Improper vent cap installation.	Check for proper installation and freedom from debris or blockage.
6. Glass soots.	a. Flame impingement.	Adjust the log set so that the flame does not excessively impinge on it. Check that logs are placed according to installation instructions.
	b. Improper shutter setting.	Adjust the air shutter at the base of the burner.
	c. Debris around opening at base of burner.	Inspect the opening at the base of the burner. NO MATERIAL SHOULD BE PLACED IN THIS OPENING.
7. Flame burns blue and lifts off burner.	a. Insufficient oxygen being supplied.	Ensure that the vent cap is installed properly and free of debris. Ensure that the vent system joints are tight and have no leaks. Ensure that no debris has been placed at the base of, or in the area of the air holes in the center of the base pan beneath the burner. Ensure that the glass is tightened properly on the appliance, particularly on top corners.

11

Maintaining and Servicing Your Appliance

Although the frequency of your appliance servicing and maintenance will depend on use and the type of installation, a qualified service technician should perform an appliance check-up at the beginning of each heating season.

WARNING

Risk of injury or property damage.

Before servicing:

- Turn off gas.
- Turn off electricity to appliance.
- Ensure appliance is completely cooled.

After servicing:

- Replace front and glass, if removed.
- Reseal and reinstall any venting removed for servicing.

WARNING

Annual inspection by qualified technician recommended.

Check:

- Condition of glass, glass assembly and glass seal.
- Obstructions of combustion and ventilation air.
- Obstructions of termination cap.
- Burner ignition and operation.
- Burner air shutter adjustment
- Gas connections and fittings.

Clean:

- Glass
- Air passageways, grilles, control compartment
- Burner, burner ports. **USE CAUTION WHEN CLEANING/HANDLING CERAMIC BURNER.**



Risk of:

- Fire
- Delayed ignition or explosion
- Exposure to combustion fumes
- Odors



WARNING



Inspect external vent cap regularly.

- Ensure no debris blocks cap.
- Combustible materials blocking cap may ignite.
- Restricted air flow affects burner operation.



CAUTION



Handle glass assembly with care.

NOTE: Clean glass after initial 3-4 hours operation. **Longer operation without cleaning glass may cause a permanent white film on glass.**

When cleaning glass door:

- Avoid striking, scratching or slamming glass.
- Do NOT use abrasive cleaners.
- Use a hard water deposit glass cleaner on white film.
- Do NOT clean glass when hot.
- Turn off appliance after 3-4 hours of operation and **ALLOW TO COOL.**
- Remove and clean glass assembly.
- Replace glass assembly and operate appliance for additional 12 hours.

Refer to maintenance instructions.

A. Maintenance Tasks

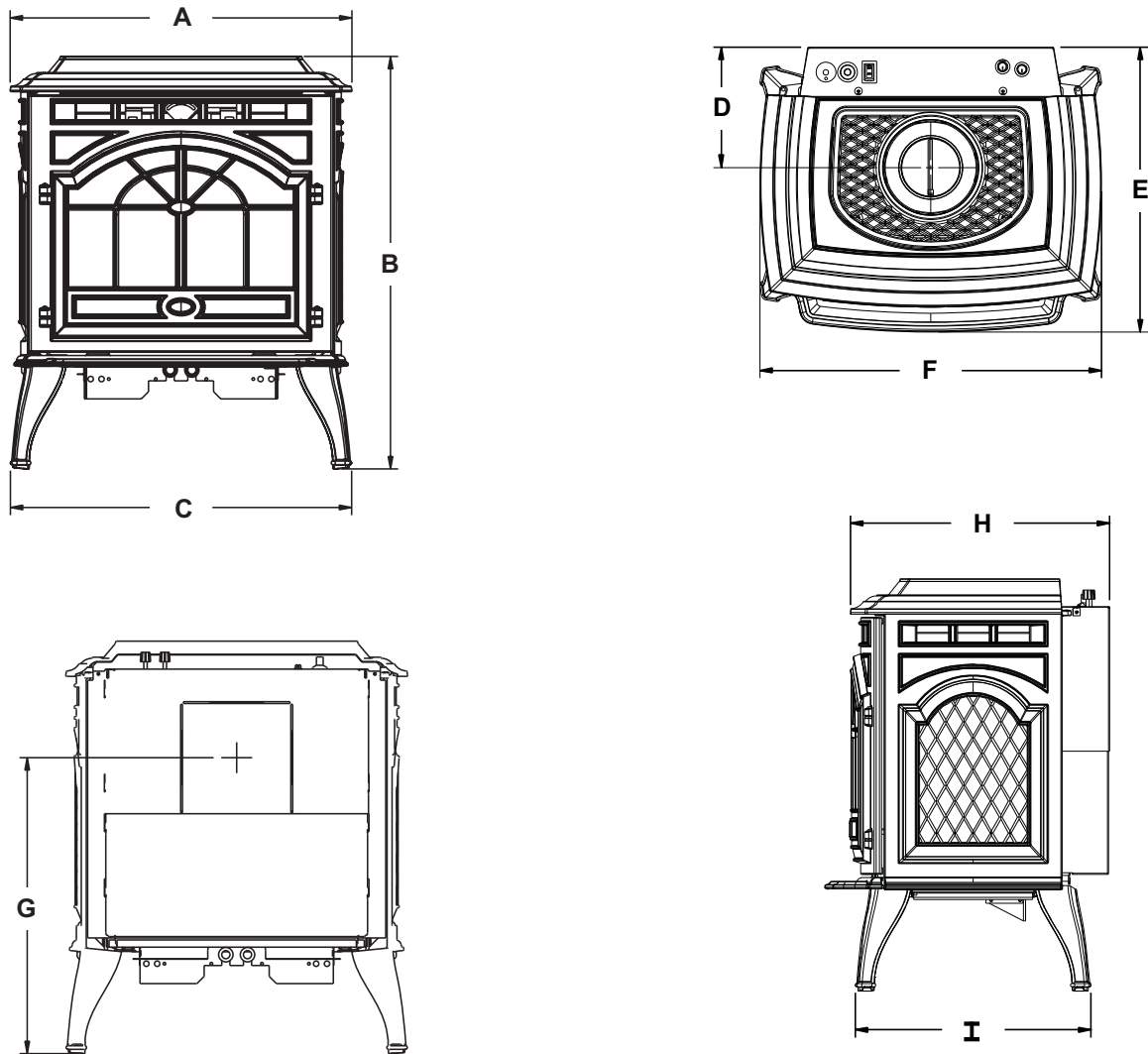
Inspect	Maintenance Tasks
Doors	1. Inspect for scratches, dents or other damage and repair as necessary.
	2. Verify no obstructions to air flow.
	3. Verify maintenance of proper clearance to combustible household objects.
Gasket Seal, Glass Assembly and Glass	1. Inspect gasket seal and its condition.
	2. Inspect glass for scratches and nicks that can lead to breakage when exposed to heat.
	3. Confirm there is no damage to glass or glass frame, Replace as necessary.
	4. Verify that latches engage properly and glass attachment components are intact and operating properly. Replace as necessary.
	5. Clean glass. Replace glass assembly if severely coated with silicate deposits that cannot be removed.
Valve Compartment and Firebox Top	1. Vacuum and wipe out dust, cobwebs, debris or pet hair. Use caution when cleaning these areas. Screw tips that have penetrated the sheet metal are sharp and should be avoided.
	2. Remove any foreign objects.
	3. Verify unobstructed air circulation.
Logs	1. Inspect for broken, damaged, or missing logs. Replace as necessary.
	2. Verify correct log placement and no flame impingement causing sooting. Correct as necessary.
Firebox	1. Inspect for paint condition, warpage, corrosion or perforation. Sand and repaint as necessary.
	2. Replace appliance if firebox has been perforated.
Burner Ignition and Operation	1. Verify burner is properly secured and aligned with pilot or igniter.
	2. Clean off burner top, inspect for plugged ports, corrosion or deterioration. Replace burner if necessary. USE CAUTION WHEN CLEANING/HANDLING CERAMIC BURNER.
	3. Replace ember material with new dime-size and shape pieces. Do not block ports or obstruct lighting paths.
	4. Check for smooth lighting and ignition carryover to all ports. Verify there is no ignition delay.
	5. Inspect for lifting and other flame problems.
	6. Inspect orifice for soot, dirt or corrosion.
	7. Verify manifold and inlet pressures. Adjust regulator as required.
	8. Inspect pilot flame strength. Clean or replace orifice as necessary.
	9. Inspect thermocouple/thermopile sensor rod for soot, corrosion and deterioration. Clean with emery cloth or replace as required.
	10. Verify millivolt output. Replace as necessary.
Venting	1. Inspect venting for blockage or obstruction such as bird nests, leaves, etc.
	2. Confirm that termination cap remains clear and unobstructed by plants, etc.
	3. Verify that termination cap clearance to subsequent construction (building additions, decks, fences or sheds) has been maintained.
	4. Inspect for corrosion or separation.
	5. Verify weather stripping, sealing and flashing remains intact.
Remote Controls	1. Verify operation of remote.
	2. Replace batteries in remote transmitters and battery-powered receivers.

12

Reference Materials

A. Appliance Dimension Diagram

Dimensions are actual appliance dimensions. Use for reference only. For clearances refer to Section 3.



Location	Inches	Millimeters	Location	Inches	Millimeters
A	23-5/8	600	F	23-5/8	600
B	28-1/2	724	G	20-1/2	521
C	23-5/8	600	H	17-7/8	454
D	8-1/4	210	I	16-1/4	413
E	19-5/8	498			

Figure 12.1 Appliance Dimensions

B. Vent Components Diagram

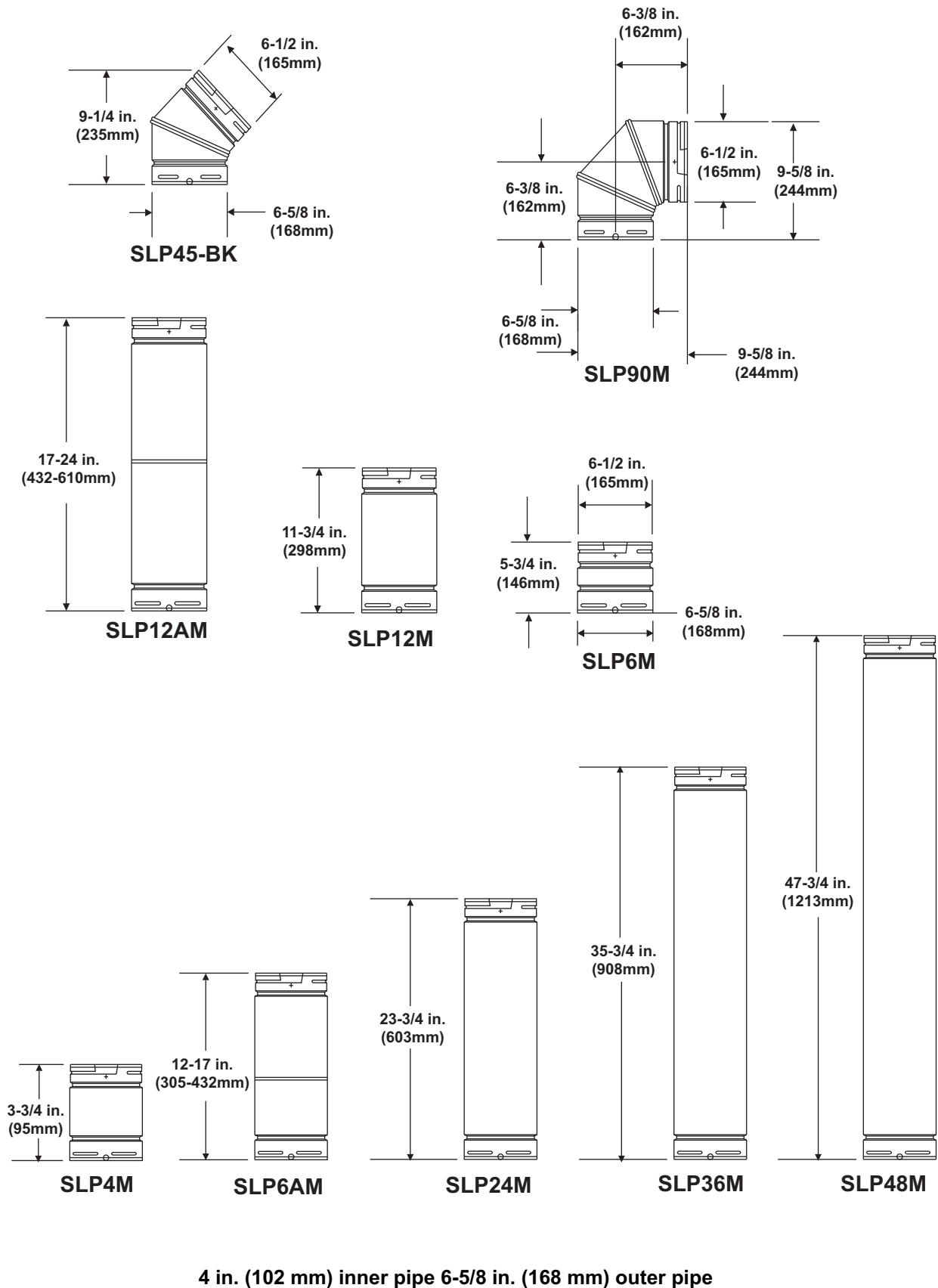


Figure 12.2 SL-D Series Vent Components

C. Vent Components List

Description	HHT SL-P M= Multi Pack (6)	Simpson Dura-Vent® DirectVent Pro	Selkirk® Direct-Temp	Amerivent Direct®	Security Secure Vent®
4" Pipe Length, Galvanized	SLP4M	-	-	-	-
4" Pipe Length, Black	SLP4-BK	-	-	-	-
6" Pipe Length, Galvanized	SLP6M	46-DVA-06	4DT-6	-	SV4L6
6" Pipe Length, Black	SLP6-BK	46-DVA-06B	4DT-6B	-	SV4LB6
7" Pipe Length, Galvanized	-	-	-	4D7	-
7" Pipe Length, Black	-	-	-	4D7B	-
9" Pipe Length, Galvanized	-	46-DVA-09	4DT-9	-	-
9" Pipe Length, Black	-	46-DVA-09B	4DT-9B	-	-
12" Pipe Length, Galvanized	SLP12M	46-DVA-12	4DT-12	4D12	SV4L12
12" Pipe Length, Black	SLP12-BK	46-DVA-12B	4DT-12B	4D12B	SV4LB12
18" Pipe Length, Galvanized	-	46-DVA-18	4DT-18	-	-
18" Pipe Length, Black	-	46-DVA-18B	4DT-18B	-	-
24" Pipe Length, Galvanized	SLP24M	46-DVA-24	4DT-24	4D2	SV4L24
24" Pipe Length, Black	SLP24-BK	46-DVA-24B	4DT-24B	4D2B	SV4LB24
36" Pipe Length, Galvanized	SLP36M	46-DVA-36	4DT-36	4D3	SV4L36
36" Pipe Length, Black	SLP36-BK	46-DVA-36B	4DT-36B	4D3B	SV4LB36
48" Pipe Length, Galvanized	SLP48M	46-DVA-48	4DT-48	4D4	SV4L48
48" Pipe Length, Black	SLP48-BK	46-DVA-48B	4DT-48B	4D4B	SV4LB48
Adjustable Length, 3"-6", Black	SLP6A-BK	-	-	-	-
Adjustable Length, 3"-6", Galvanized	SLP6AM	-	-	-	-
Adjustable Length, 3"-7", Galvanized	-	46DVA-08A	-	-	-
Adjustable Length, 3"-7", Black	-	46DVA-08AB	-	-	-
Adjustable Length, 3"-12", Black	SLP12A-BK	-	-	-	-
Adjustable Length, 3"-12", Galvanized	SLP12AM	-	-	-	-
Adjustable Length, 3"-14.5", Galvanized	-	46DVA-16A	-	-	-
Adjustable Length, 3"-14.5", Black	-	46DVA-16AB	-	-	-
Adjustable Length, 7", Galvanized	-	-	-	4D7A	-
Adjustable Length, 7", Black	-	-	-	4F7AB	-
Adjustable Length, 11"-14", Galvanized	-	-	4DT-AJ	-	-
Adjustable Length, 11"-14", Black	-	-	4DT-AJB	-	-
Adjustable Length, 12", Galvanized	-	4DTAJ12	-	4D12A	SV4LA12
Adjustable Length, 12", Black	-	4DTAJ12-B	-	4D12AB	SV4LBA12
Adjustable Length, 16", Galvanized	-	46DVA-16A	-	4D16A	-
Adjustable Length, 16", Black	-	46DVA-16AB	-	-	-
Adjustable Length, 24", Galvanized	-	-	-	-	SV4LA24
Adjustable Length, 24", Black	-	-	-	-	SV4LBA24
2' Flexible Pipe Length	SLP-FLEX-2	-	-	-	-
3' Flexible Pipe Length	SLP-FLEX-3	-	-	-	-
5' Flexible Pipe Length	SLP-FLEX-5	-	-	-	-
10' Flexible Pipe Length	SLP-FLEX-10	-	-	-	-
3" x 35' Flex Extension	-	2280	-	-	-
4" x 35' Flex Extension	-	2281	-	-	-
45° Elbow, Galvanized	SLP45M	-	-	-	-
45° Elbow, Black	SLP45-BK	See Swivel	4DT-EL45B	4D45LB	SV4EBR45
45° Elbow, Swivel, Galvanized	-	46DVA-E45	-	-	SV4E45

Description	HHT SL-P M= Multi Pack (6)	Simpson Dura-Vent® DirectVent Pro	Selkirk® Direct-Temp	Amerivent Direct®	Security Secure Vent®
45° Elbow, Swivel, Black	-	46DVA-E45B	-	-	SV4EB45
90° Elbow, Galvanized	SLP90M	See Swivel	4DT-EL905	4D90LS	-
90° Elbow, Black	SLP90-BK	See Swivel	4DT-EL90SB	4D90LBS	SV4EBR90
90° Elbow, Swivel, Galvanized	-	46DVA-E90	-	-	SV4E90
90° Elbow, Swivel, Black	-	46DVA-E90B	-	-	SV4EB90
Adjustable Flashing, 0/12-6/12	SLP-RF6M	46DVA-F6	4DT-AF6	4DF	SV4FA
Adjustable Flashing, 7/12-12/12	SLP-RF12M	46DVA-F12	4DT-AF12	4DF12	SV4FB
Attic Insulation Shield - Cold Climates 36"	-	-	-	4DAIS37	-
Attic Insulation Shield 12"	SLP-AS2M	-	-	4DAIS12	SV4RSA
Attic Insulation Shield, Adjustable 11"-20"	-	46-DVA-IS	-	-	-
Cathedral Support Box	SLP-CCS-BK	46DVA-CS	4DT-CSS	4DRSB	SV4CSB
Ceiling Support	-	46DVA-DC	4DT-CS	4DFSP	SV4SD
Co-Axial to Co-Lineal Appliance Connector	-	46DVA-GCL	-	-	-
Decorative Ceiling Firestop - Black	SLP-DCF-BK	-	-	-	-
Decorative Radius Cover	DRC-RADIUS	-	-	-	-
Firestop Spacer/Ceiling Firestop	SLP-FSM	46DVA-FS	4DT-FS	4DFSP	SV4BF
Flex Trap Cap with Firestop	SLP-FLEX-TRAP	-	-	-	-
Flex Trap Cap with Firestop and 30' Flex Pipe	SLP-FLEX-TRAP30	-	-	-	-
Masonry Chimney Conversion Kit	-	46DVA-KMC	-	-	-
Offset Support	-	46DVA-ES	4DT-OS	-	SV4SU
Offset Wall Thimble, Black	SLP-WT-BK	-	-	-	-
Silicone Roof Flashing, 4" to 8" pipes (6)	RF4-8M	-	-	-	-
Storm Collar	SLP-SCM	46DVA-SC	4DT-SC	4DSC	SV4FC
Trim Plate, Black	-	-	4DT-TP	4DFPB	SV4LA
Wall Support Band	SLP-HVSM	46-DVA-WS	4DT-WS/B	4DWS	SV4BM
Wall Thimble Support Box/Ceiling Support	-	-	-	-	SV4PF
Wall Thimble, Black	SLP-WSM	46DVA-WT	4DT-WT	4DWT	SV4RSM
TERMINATION CAPS & KITS					
Basic Horizontal Termination Kit (A)	-	46DVA-KHA	4DT-HKA	4DHTK2	SV-SHK
Chimney Liner Termination Kit	-	46DVA-GK	-	-	-
Horizontal Square Termination Cap	SLP-HHW2	46DVA-HC	4DT-HHC	4DHC	SV4CHC
Horizontal Termination Kit (B)	-	46DVA-KHC	4DT5-HKB	4DHTK1	SV-HK
RHVK Snorkel Kit	-	844-8921	-	-	-
Snorkel Termination 14"	SLK-SNKD	46DVA-SNK14	4DT-ST14	4D12S	SV4STC14
Snorkel Termination 36"	-	46DVA-SNK36	4DT-ST36	4D36S	SV4STC36
*Stove Adaptor Kit (Vertical Cap Kit)	LINK-STOVE	-	-	-	-
Trapezoid Termination Kit (3-1/8"-4-3/4")	SLP-TRAP1	-	-	-	-
Trapezoid Termination Kit (5-1/4" X 9-1/4")	SLP-TRAP2	-	-	-	-
Vertical Termination Cap	SLP-TVHW	46DVA-VCH	4DT-VKC	4DVT	SV4CGV

* Stove Adaptor Kit (Vertical Cap Kit) Includes 30'-4" flex, adapters, wall thimble, masonry, ZC flashing, 991DA vertical cap.

NOTES: ¹Before cutting any holes check pipe manufacturers current instructions.

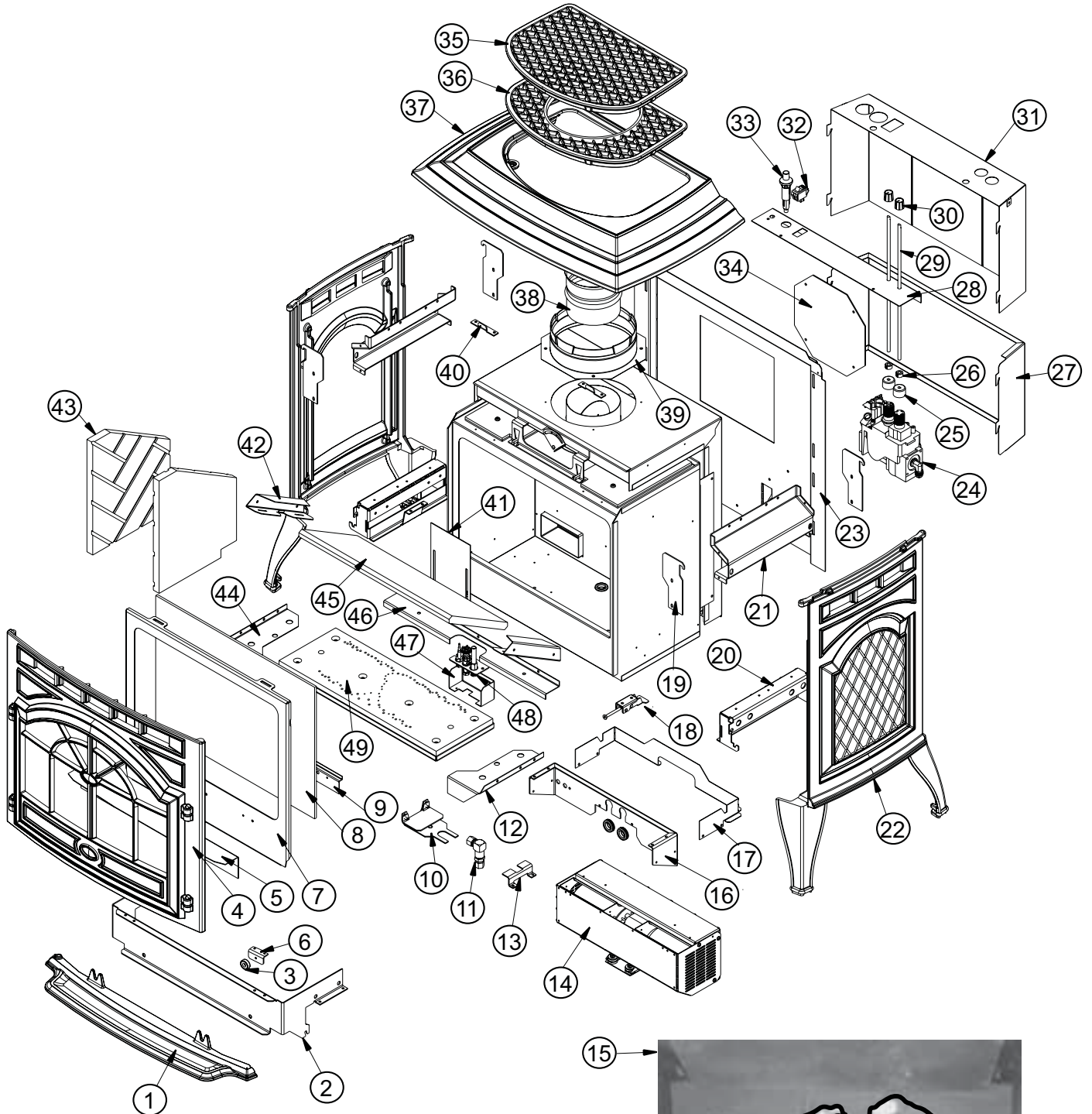
²Each pipe manufacturer has their own list of parts for kits.

³SL is not interchangeable with SLP.

(NG, LP) Exploded Parts Diagram

Beginning Manufacturing Date: 5-19-05

Ending Manufacturing Date: _____



* Part number list on following page.

IMPORTANT: THIS IS DATED INFORMATION. The most current information is located on your dealer's VIP site. When ordering, supply serial and model numbers to ensure correct service parts.

Nbr	Description	Nbr	Description
1	Ash Catcher	26	Set Collar, 1/4 in.
2	Ash Lip Mounting Bracket	27	Back Shield, Lower
3	Magnet, Round	28	Switch Plate
4	Face, Mill	29	Control Rod
5	Door Shield	30	Knob, Rheostat
6	Magnet Bracket	31	Back Shield, Upper
7	Door Assembly	32	Switch, Rocker, ON/OFF
8	Glass Assembly	33	Igniter, Piezo
9	Glass Retainer	34	Cover Plate
10	Air Shutter Assembly	35	Grille, Rear Vent
11	Bulkhead	36	Grille, Top Vent
12	Burner Support, Right	37	Top, Mill
13	Bulkhead Stop	38	Adapter, DV (4 in.)
14	Blower Assembly	39	DV Adapter (6-5/8 in.)
15	Log Set	40	Door Retainer
16	Blower Bracket	41	Damper Plate
17	Blower Bracket, Rear	42	Baffle Bracket
18	Latch, Draw	43	Brick Set
19	Cast Mounting Hook	44	Burner Support, Left
20	Cast Mounting Bracket, Bottom	45	Baffle
21	Cast Mounting Bracket	46	Log Support, Rear
22	Side, Mill	47	Pilot Bracket
23	Back Shield Support	48	Pilot Assembly
24	Valve (NG or LP)	49	Burner With Neck Assembly
25	Adapter, Valve Extension		

IMPORTANT: THIS IS DATED INFORMATION. The most current information is located on the Quadra-Fire web site at www.quadrafire.com. When ordering, supply serial and model numbers to ensure correct part.

Item #	Part Description Alphabetical Order	SKU
38	Adapter, DV (starting collar, inner (4 in.))	200-2470
25	Adapter, Valve Extension	450-6330
10	Air Shutter Assembly	7002-016
1	Ash Catcher	413-0010BK
2	Ash Lip Mounting Bracket	7023-004
23	Back Shield Support	7023-104
27	Back Shield, Lower	7023-107
31	Back Shield, Upper	7023-106
45	Baffle	7010-136
42	Baffle Bracket	7010-137
16	Blower Bracket	7009-103
17	Blower Bracket, Rear	7010-146
	Blower, Convection	812-4900
	Blower Housing	7016-138
43	Brick Set	BRICK-T1
11	Bulkhead	26457
13	Bulkhead Stop	474-0090
	Burner Plate Assembly	7010-022
44	Burner Support, Left	7010-141
12	Burner Support, Right	7010-140
49	Burner with Neck Assembly	7010-006
21	Cast Mounting Bracket, Top	7023-100
20	Cast Mounting Bracket, Bottom	7023-101
19	Cast Mounting Hook	7023-102
	Component Pack Assembly (Includes On/Off valve; orifice LP (.063); mineral wool; pilot injector, LP; fasteners; conversion regulator LP; conversion label; leg leveling assembly; snap disc bracket; warranty card; and manual)	7023-001
29	Control Rod	455-0340
34	Cover Plate	7010-159
41	Damper Plate	468-0360
	Dashboard Label	7023-110
7	Door Assembly	7010-016
40	Door Retainer	7010-122
5	Door Shield	7023-109
39	DV Adapter (6-5/8 in.)	7000-162
4	Face, Mill	413-0030BK
	Flex Line, 3/8 Flare x 22L	7000-197
	Flue Collar Assembly	7010-015
	Gas Line, T6-18	450-6360
	Gasket, Elbow	460-0610

IMPORTANT: THIS IS DATED INFORMATION. The most current information is located on your dealer's VIP site. When ordering, supply serial and model numbers to ensure correct service parts.

Item #	Part Description Alphabetical Order	SKU
	Gasket, Flue Collar	455-0660
	Gasket, Glass 10 ft.	844-3010
8	Glass Assembly	7010-017
9	Glass Retainer	7010-121
35	Grille, Rear Vent	RV-CG-MBK
36	Grille, Top Vent	455-0370BK
33	Igniter, Piezo	230-0612
30	Knob, Rheostat	100-512
18	Latch, Draw	229-0640
15	Log Set	LOGS-T1
46	Log Support, Rear	7010-134
6	Magnet Bracket	7023-108
3	Magnet, Round	7000-140
	ON/OFF Valve	15697A
	Orifice, LP (.063)	17236
	Orifice, NG (.106)	19837
48	Pilot Assembly, NG	230-1781
47	Pilot Bracket	7010-135
	Relief Door Assembly	7010-003
26	Set Collar, 1/4 in.	229-0750
22	Side, Mill	413-0040BK
	Snap Disc Bracket	7009-108
28	Switch Plate	7023-105
32	Switch, Rocker, ON/OFF	230-0730
37	Top, Mill	7021-101
24	Valve, Gas, LP	842-0230
24	Valve, Gas, NG	842-0240
	Wire Harness	7010-156

IMPORTANT: THIS IS DATED INFORMATION. The most current information is located on the Quadra-Fire web site at www.quadrafire.com. When ordering, supply serial and model numbers to ensure correct part.

Item #	DESCRIPTION	PART #
14	Blower Assembly	BK-GAS
	Conversion Kit, LP	LPK-MB
	Conversion Kit, NG	NGK-MB
	Wall Thermostat - Manual	812-3760
	Wall Thermostat - Programmable	811-0520
	Remote Control, Smart Stat II	841-0960
	Remote Control, Smart Batt II	841-0970
	Refractory Assembly	BRICK-T1
	Rear Vent Conversion Kit, Matte Black	RV-CG-MBK
	Rear Vent Conversion Kit, Porcelain Mahogany	RV-CG-PMH
	Rear Vent Conversion Kit, Powder Coat Sienna Bronze	RV-CG-CSB
	Rear Vent Conversion Kit, Powder Coat Willow	RV-CG-CWL

F. Warranty Policy

The logo for Quadra-Fire, featuring the brand name in a bold, italicized, sans-serif font with a registered trademark symbol.A decorative banner with a ribbon-like border containing the text "Lifetime Warranty" in a bold, serif font.

LIMITED LIFETIME WARRANTY

The Hearth & Home Technologies limited Lifetime Warranty guarantees that the following components will work as designed for the lifetime of the stove or Hearth & Home Technologies will repair or replace them. These items include but are not limited to steel and cast iron components, all gas burners, gas logs, combustion chambers, heat exchanger systems, stainless steel firebox components, plating, doors, glass damaged by thermal breakage, steel baffle supports, steel and ceramic baffles and manifold tubes. Labor is for the first five years.

THREE YEAR WARRANTY

Our pellet firepots are covered under Hearth & Home Technologies three-year warranty program. Labor is for 3 years.

TWO YEAR WARRANTY

All electrical components such as but not limited to blowers, wiring, vacuum switches, speed controls, control boxes, thermodisc switches, pilot assembly, gas valves, thermostats and remotes are covered under Hearth & Home Technologies two-year warranty program. Effective April, 2005 igniters are also covered under the two year warranty. Labor is for two years.

ONE YEAR WARRANTY

Porcelain and Powder Coat finishes are warranted against manufacturer defects for one year. Labor to repair or replace these parts is covered for one year, reimbursed per our warranty service fee schedule.

CONDITIONS

This warranty is non-transferable and is made to the original retail purchaser only provided that the purchase was made through an authorized dealer of Hearth & Home Technologies. It must be installed and operated at all times in accordance with the Installation and Operating Instructions furnished with this product, as well as any applicable local and national codes. Any alteration, willful abuse, accident, or misuse of the product shall nullify this warranty.

Labor to repair or replace items covered under the limited Lifetime Warranty will be covered for the first five years per our warranty service fee reimbursement schedule. Parts covered under the limited Lifetime Warranty will be covered for the lifetime of the appliance up to a maximum of ten (10) years after Hearth & Home Technologies discontinues the model and two (2) years for optional accessories. Adjustments, regular maintenance, cleaning and temporary repairs do not qualify for a service call fee and will not be covered. The replacement of consumer replaceable items and installation of upgraded component parts do not qualify for a service call fee, and will not be covered.

This limited Lifetime Warranty does not extend to or include surface finish on the appliance, door gasketing, glass gasketing, glass, firebrick, pellet logs, kaowool or other ceramic insulating materials. It does not cover installation or operational-related problems such as overfiring, use of corrosive driftwood, downdrafts or spillage caused by environmental conditions, nearby trees, buildings, hilltops, mountains, inadequate venting or ventilation, excessive offsets, or negative air pressures caused by mechanical systems such as furnaces, fans, clothes dryers, etc.

Any installation, construction, transportation, or other related costs or expenses arising from defective part(s), repair, replacement, etc., will not be covered by this warranty, nor will Hearth & Home Technologies assume responsibility for them. Further, Hearth & Home Technologies will not be responsible for any incidental, indirect, or consequential damages, except as results in damage to the interior or exterior of the building in which this appliance is installed. This limited Lifetime Warranty does not apply to the venting components, hearth components or other accessories used in conjunction with the installation of this product not manufactured by Hearth & Home Technologies

This warranty is void if the stove has been overfired or operated in atmospheres contaminated by chlorine, fluorine, or other damaging chemicals, the stove is subjected to prolonged periods of dampness or condensation, or there is any damage to the stove or other components due to water or weather damage which is the result of, but not limited to, improper chimney or venting installation. Hearth & Home Technologies may, at its discretion, fully discharge all obligations with respect to this warranty by either repairing or replacing the unit, or refunding the wholesale price of the defective part(s).

This limited Lifetime Warranty is effective on all appliances sold after May 1, 2002 and supersedes any and all warranties currently in existence.

Policy 250-8620 Rev K


G. Contact Information



CONTACT INFORMATION:

Hearth & Home Technologies
1445 North Highway
Colville, WA 99114
Division of HHT INDUSTRIES

Please contact your Quadra-Fire dealer with any questions or concerns.
For the number of your nearest Quadra-Fire dealer
please visit our web site at www.quadrafire.com

	CAUTION
	Do NOT discard this manual. <ul style="list-style-type: none">• Important operating and maintenance instructions included.• Read, understand and follow these instructions for safe installation and operation.• Leave this manual with party responsible for use and operation.



**Your Records for Model:
Castile Gas**

DEALERSHIP WHERE PURCHASED:

SERIAL NUMBER: _____

DATE PURCHASED: _____

DATE INSTALLED: _____

DEALER TELEPHONE: _____

This product may be covered by one or more of the following patents: (United States) 4593510, 4686807, 4766876, 4793322, 4811534, 5000162, 5016609, 5076254, 5113843, 5191877, 5218953, 5263471, 5328356, 5341794, 5347983, 5429495, 5452708, 5542407, 5601073, 5613487, 5647340, 5688568, 5762062, 5775408, 5890485, 5931661, 5941237, 5947112, 5996575, 6006743, 6019099, 6048195, 6053165, 6145502, 6170481, 6237588, 6296474, 6374822, 6413079, 6439226, 6484712, 6543698, 6550687, 6601579, 6672860, 6688302B2, 6715724B2, 6729551, 6736133, 6748940, 6748942, 6769426, 6774802, 6796302, 6840261, 6848441, 6863064, 6866205, 6869278, 6875012, 6880275, 6908039, 6919884, D320652, D445174, D462436; (Canada) 1297749, 2195264, 2225408, 2313972; (Australia) 780250, 780403, 1418504 or other U.S. and foreign patents pending.



Free Manuals Download Website

<http://myh66.com>

<http://usermanuals.us>

<http://www.somanuals.com>

<http://www.4manuals.cc>

<http://www.manual-lib.com>

<http://www.404manual.com>

<http://www.luxmanual.com>

<http://aubethermostatmanual.com>

Golf course search by state

<http://golfingnear.com>

Email search by domain

<http://emailbydomain.com>

Auto manuals search

<http://auto.somanuals.com>

TV manuals search

<http://tv.somanuals.com>