

PYRAMID[®]
Gold Series
OWNER'S
MANUAL

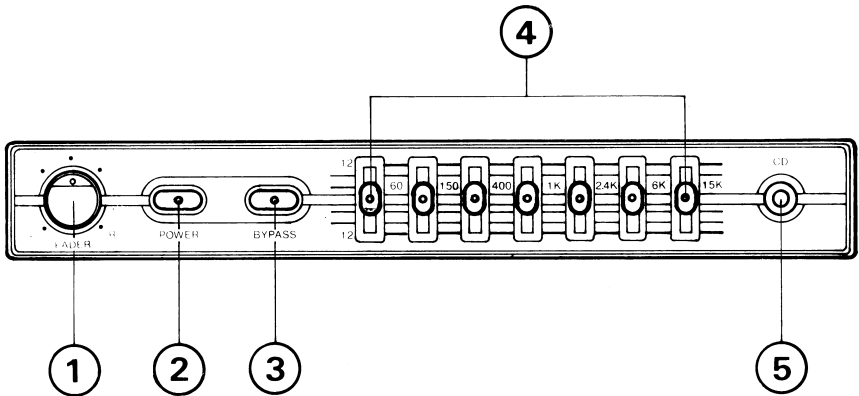


MODEL: 749E
7-BAND CONTROL
STEREO GRAPHIC EQUALIZER

FEATURES

- 7-BAND GRAPHIC EQUALIZER CONTROL
- FRONT/REAR FADER CONTROL
- CD INPUT JACK
- POWER ON/OFF SWITCH
- BYPASS ON/OFF SWITCH

CONTROLS:



- | | |
|--------------------------|----------------------|
| 1. FADER CONTROL | 4. EQUALIZER CONTROL |
| 2. POWER ON/OFF SWITCH | 5. CD INPUT JACK |
| 3. BYPASS CONTROL SWITCH | |

OPERATION

1. FADER CONTROL

A) DUAL AMPLIFIER 4-SPEAKER SYSTEM

Rotating the knob to the FRONT side brings up the level of the FRONT speakers.

Rotating to the REAR side brings up the level of the REAR speakers. At mid position, both sets of speakers are at maximum level.

B) 2-SPEAKER SYSTEM

The fader control knob should be turned to the end position which provides the loudest sound for using both sets of speakers.

2. POWER ON/OFF SWITCH

Pressing the POWER switch activates the equalizer. Depressing the switch again inactivates the equalizer.

3. BYPASS ON/OFF SWITCH

When the bypass switch is pushed to the "ON" position the equalizer controls are not being employed and the amplifier operation is essentially flat. Depressing the bypass button again to "OFF" brings the equalizer into operation.

4. EQUALIZER CONTROL

By sliding the controls you can tailor the frequencies to booster or cut 12dB.

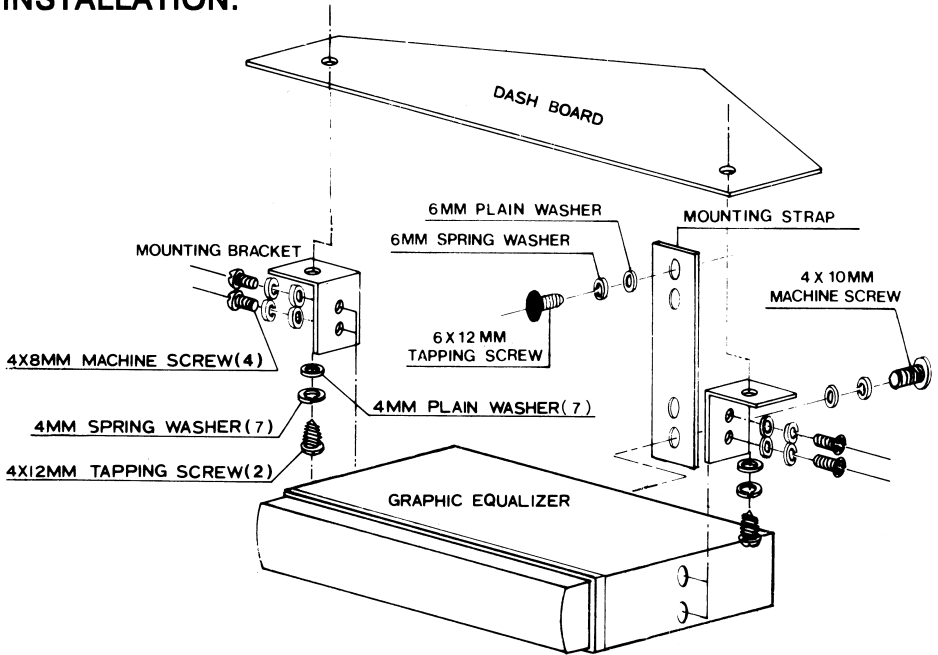
The 7 frequencies are 60, 150, 400, 1K, 2.4K, 6K, 15K Hz.

5. CD INPUT JACK (3.5mm)

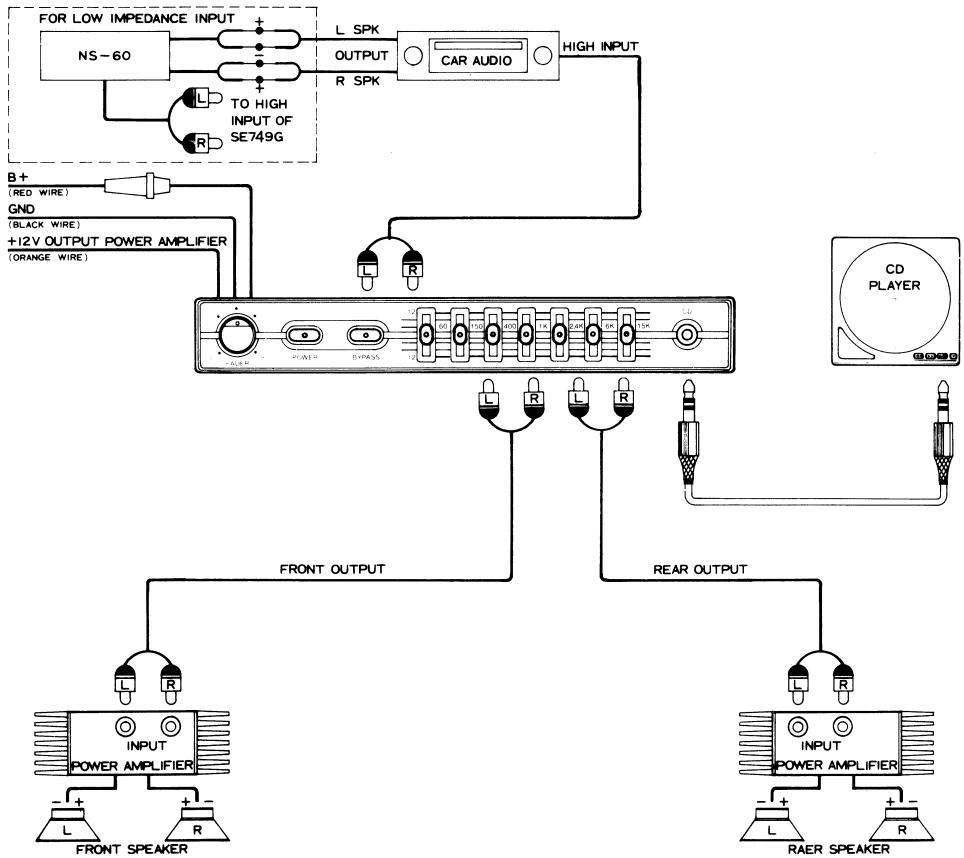
Connect your portable CD player to the CD input JACK on the front panel by a stereo path cord with a stereo mini plug at both ends.

Turn on your CD player and then turn on the equalizer.

INSTALLATION:



ELECTRICAL CONNECTIONS:

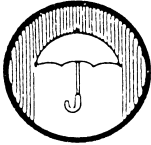


SPECIFICATIONS

Input Impedance.....	10K Ohm
Control Frequencies	60, 150, 400, 1K, 2.4K, 6K, 15K Hz
Control Range	± 12 dB boost or cut
Frequency Response.....	20 ~ 20K Hz
Singal to Noise.....	Better than 85dB (A-Wtd)
Input Sensitivity for 400mV Output	400mV
Power Requirement.....	11~ 16 volts negative GND
Size.....	25 × 178 × 96 mm (H × W × D)

CARE AND MAINTENANCE

Your Pyramid Stereo 7-Band Graphic/Equalizer is an example of superior design and craftsmanship. The following suggestions will help you care for your equalizer/booster so you can enjoy it for years.



Keep the graphic/equalizer dry. If it does get wet, wipe it dry immediately. Liquids contain minerals that can corrode electronic circuits.



Use and store the graphic/equalizer only in normal temperature environments. Temperature extremes can shorten the life of electronic devices and distort or melt plastic parts.



Handle the graphic/equalizer gently and carefully. Dropping it can damage the circuit boards and can cause it to work improperly.



Keep the graphic/equalizer away from dust and dirt, which can cause premature wear of parts.



Wipe the graphic/equalizer with a damp cloth occasionally to keep it looking new. Do not use harsh chemicals, cleaning solvents, or strong detergents to clean the graphic/equalizer.

www.pyramidcaraudio.com

Free Manuals Download Website

<http://myh66.com>

<http://usermanuals.us>

<http://www.somanuals.com>

<http://www.4manuals.cc>

<http://www.manual-lib.com>

<http://www.404manual.com>

<http://www.luxmanual.com>

<http://aubethermostatmanual.com>

Golf course search by state

<http://golfingnear.com>

Email search by domain

<http://emailbydomain.com>

Auto manuals search

<http://auto.somanuals.com>

TV manuals search

<http://tv.somanuals.com>