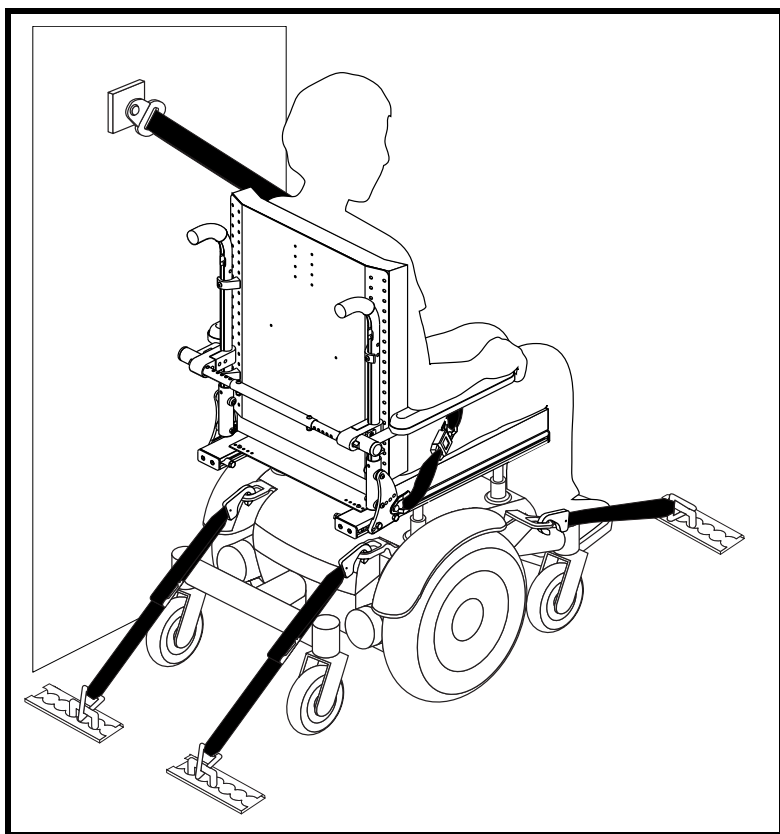


Transit Securement System

Including Models: Quantum 6000Z, Quantum 600, and Q6 Edge



Pride[®]
Mobility Products Corp.

QUANTUM[®]
REHAB

A Division of Pride Mobility Products[®] Corp.

TABLE OF CONTENTS

| | |
|---|----|
| INTRODUCTION | 3 |
| LABELING | 4 |
| DEFINITIONS | 5 |
| USER SAFETY INFORMATION | 5 |
| PROTOCOLS AND PROCEDURES | 6 |
| SECURING THE POWER CHAIR | 7 |
| SECURING THE POWER CHAIR OCCUPANT (APPLIES TO TRANSIT SYSTEMS RATED FOR OCCUPIED USE ONLY) | 10 |
| TRANSIT SECUREMENT SYSTEM | 15 |
| IMPORTANT POINTS TO REMEMBER | 16 |
| APPENDIX: DECLARATIONS | 18 |



Copyright © 2012

Pride Mobility Products Corporation

INFMANU3658/Rev B/April 2012

Download from [Www.Somanuals.com](http://www.Somanuals.com). All Manuals Search And Download.

Introduction



MANDATORY! The following information pertains to power chairs equipped with a factory-installed Pride Transit Securement System. Read this information in its entirety before use in a motor vehicle. If you have any questions about this information or about using your power chair as a seat in a motor vehicle, contact your authorized Pride Provider.

The occupied Pride Transit Securement System conforms with the standard of ANSI/RESNA WC/Vol. 4, Section 19/ISO 7176-19 for the purpose of enabling power chairs to be secured in certain types of motor vehicles. The Transit Securement System, including manufacturer-installed front and rear securement brackets and pelvic belt anchoring brackets, has been crash tested in accordance with ANSI/RESNA WC/Vol. 4, Section 19/ISO 7176-19, Frontal Impact Test, with a 168-lbs. (76.2-kg) surrogate occupant.

Notwithstanding this standard and testing conformance, many government transportation agencies, at the time of publication, have not approved any securement system of an occupied power chair in a motor vehicle. Therefore, it is the position of Pride Mobility Products that the Transit Securement System should only be utilized to secure an occupied power chair being transported in a motor vehicle at the user's discretion and in accordance with ANSI/RESNA WC/Vol. 4, Section 19/ISO 7176-19 standards, which are intended to increase safety, but do not suggest that compliance with the standards will necessarily prevent serious injury or death of a secured power chair occupant during motor vehicle transport.

In accordance with the ANSI/RESNA WC/Vol. 4, Section 19/ISO 7176-19 standards, the power chair user should transfer into the vehicle seat and use the vehicle-installed belt restraint system if and whenever feasible. The Transit Securement System is only available when factory-installed on new power chairs, and cannot be retrofitted on existing power chairs or serviced in the field.



PROHIBITED! Do not modify your power chair in any way not authorized by Pride. Do not make alterations or substitutions to power chair structural parts or frame components without consulting Pride.

Labeling



Read and follow the information in the owner's manual and all supplemental information provided with the power chair before initial operation.



Indicates that tested and approved power chair, with similarly labeled tested and approved seating system, conforms to ANSI/RESNA WC/Vol. 4, Section 19/ISO 7176-19 for transport of an occupied power chair in a motor vehicle.



Indicates power chair securement points.



WARNING! Indicates a potentially hazardous condition/situation. Failure to follow designated procedures can cause either personal injury, component damage, or malfunction. On the product, this icon is represented as a black symbol on a yellow triangle with a black border.



MANDATORY! These actions should be performed as specified. Failure to perform mandatory actions can cause personal injury and/or equipment damage. On the product, this icon is represented as a white symbol on a blue dot with a white border.



PROHIBITED! These actions are prohibited. These actions should not be performed at any time or in any circumstances. Performing a prohibited action can cause personal injury and/or equipment damage. On the product, this icon is represented as a black symbol with a red circle and red slash.



IMPORTANT! Indicates important information to remember when using this product.

Definitions

- **ANSI/RESNA:** American National Standards Institute/Rehabilitation Engineering and Assistive Technology Society of North America
- **ISO:** International Standards Organization
- **Transit Securement System:** Equipment installed on the power chair which allows the power chair to be anchored in a motor vehicle. The equipment consists of tie-down anchor points and may include a pelvic belt.
- **Wheelchair Tie-down and Occupant Restraint System (WTORS):** Equipment installed in a motor vehicle which allows a power chair and/or a power chair-seated occupant to be anchored in the motor vehicle for limiting occupant movement in a motor vehicle crash. The equipment consists of a system or device for securing the power chair and a belt-type restraint system.
- **Securement Points:** Specific structural points on the power chair base or seat frame that are designed for attachment of a WTORS. These securement points are indicated by anchor symbols.

User Safety Information

MANDATORY! Always secure the power chair and occupant in a forward-facing position in the vehicle.

MANDATORY! The power chair should be used as indicated in the manufacturer's instructions. If you have any questions about the proper use of your power chair, contact your authorized Pride Provider.



MANDATORY! Only belt restraints that comply with the provisions of ANSI/RESNA WC/Vol. 4, Section 19/ISO 7176-19 and that have been dynamically tested in accordance with this standard should be installed on the power chair for use as a restraint in a motor vehicle.

WARNING! Use only AGM or Gel-Cell batteries to reduce the risk of leakage or explosive conditions.



WARNING! If the total power chair mass is greater than 275 lbs. (125 kg), then transport in a motor vehicle with a gross vehicle weight greater than 8,800 lbs. (4,000 kg) is recommended if the option exists.

Protocols and Procedures

The power chair user should transfer into the vehicle seat and use the vehicle-installed restraint system if and whenever feasible. The power chair should then be stored and secured in the vehicle.

If it is found necessary at the user's discretion to secure a power chair to a vehicle, the vehicle must be equipped with a Wheelchair Tie-down and Occupant Restraint System (WTORS) that has been installed in accordance with the tie-down manufacturer's instructions, and is compliant with ANSI/RESNA WC/Vol. 4, Section 18/ISO 10542 standards, and the power chair must have a transit securement system conforming to the ANSI/RESNA WC/Vol. 4, Section 19/ISO 7176-19 standards. It is essential to use a complete WTORS to secure the power chair to the vehicle and to provide the power chair occupant with a properly designed and tested safety restraint system. A restraint system with both pelvic and upper-torso belts must be used to protect the power chair occupant and minimize the likelihood of injury caused by contact with the vehicle during a crash or sudden braking.



WARNING! Only power chairs marked with this symbol are rated for occupied use.



WARNING! If the total power chair mass is greater than 275 lbs. (125 kg), then it is recommended that two additional ANSI/RESNA WC/Vol. 4, Section 18/ISO 10542 compliant rear securement straps be used to anchor the power chair during motor vehicle transport.

Securing the Power Chair

NOTE: In addition to following the general guidelines below, be sure to follow all recommendations and instructions provided by the WTORS manufacturer.

- Always secure the power chair in a forward-facing position in the vehicle.
- Attach the four tie-down straps only to designated, labeled transit securement points indicated by anchor symbols on the power chair. See figure 3, 4, and 5. Tighten the straps to sufficiently remove all slack.
- Never attach tie-downs to adjustable, moving, or removable parts of the power chair such as armrests, front riggings, and wheels.
- Position the anchor points for the rear tie-down straps directly behind the rear securement points on the power chair. The front tie-down straps should anchor to floor points that are spaced wider than the power chair to provide increased lateral stability. See figure 1.

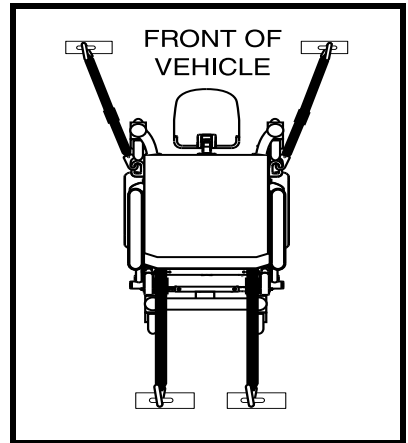


Figure 1. Securing the Power Chair

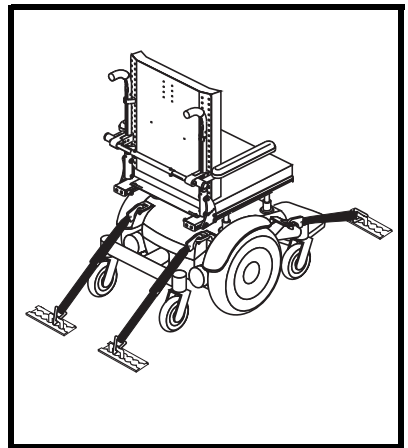


Figure 2. Tie-down System



WARNING! Ensure power chairs equipped with a transit securement system are properly secured to the motor vehicle during transport. Power chairs that are not properly secured can become a hazard to the user and to other vehicle passengers in the event of a crash, sudden stopping, or swerving, as the power chair could tip or slide out of place.

- The Pride Transit Securement System includes WTORS belt restraint anchor points in conformance with ANSI/RESNA WC/Vol. 4, Section 19/ISO 7176-19. See figures 3, 4, and 5.

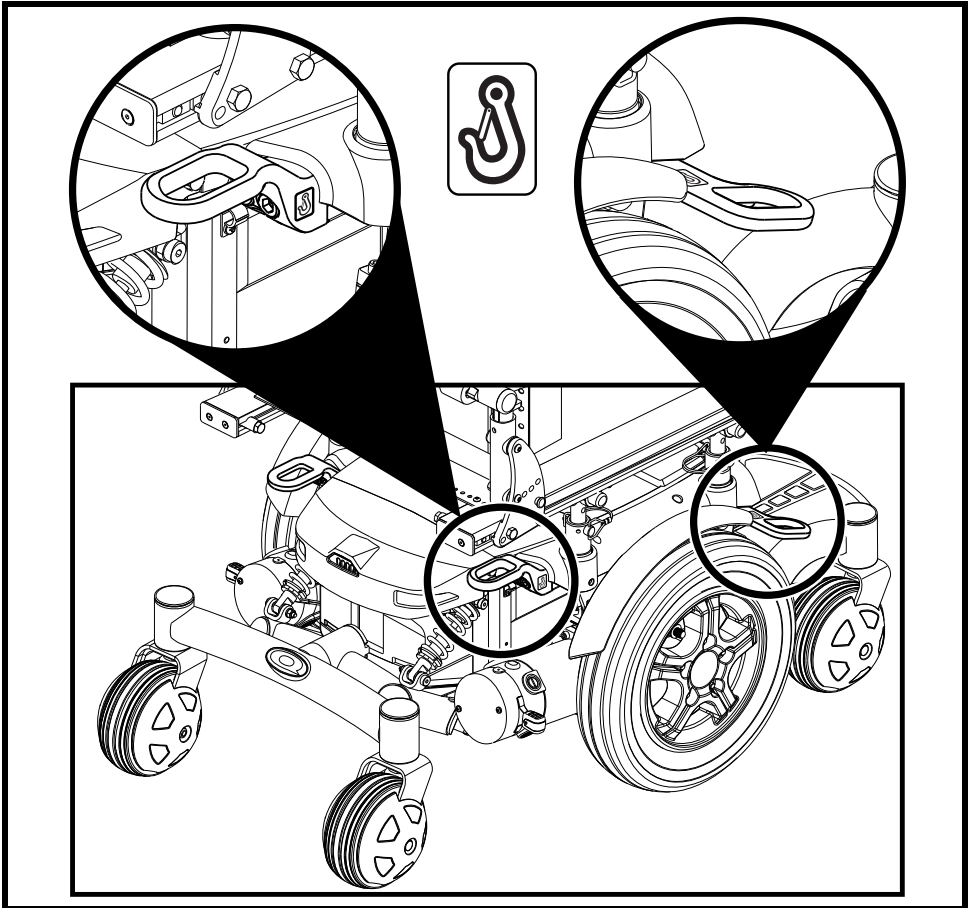


Figure 3. Securement Points on a Quantum 600Z

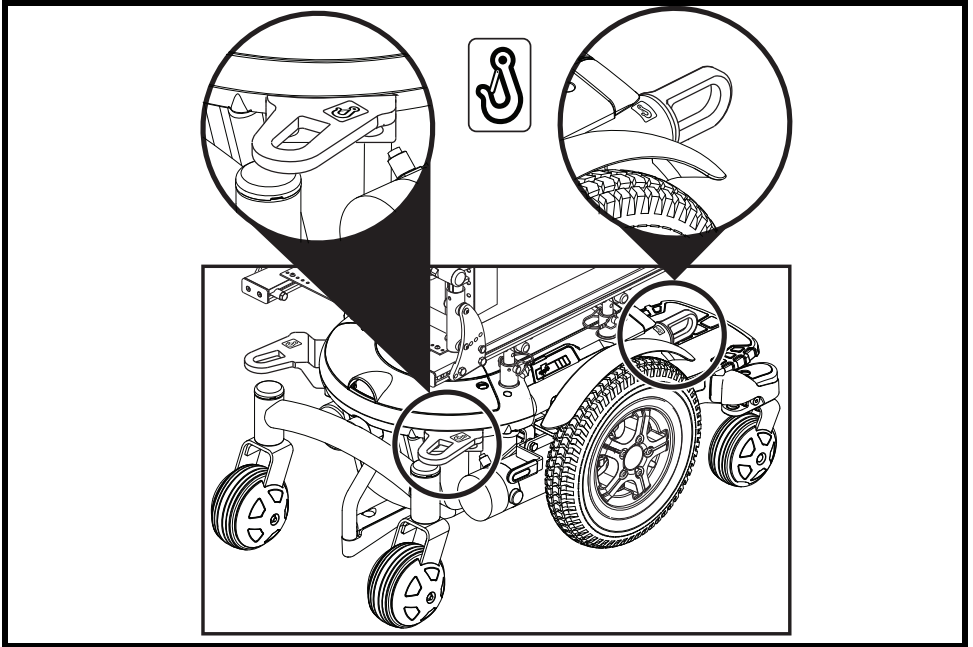


Figure 4. Securement Points on a Quantum 600

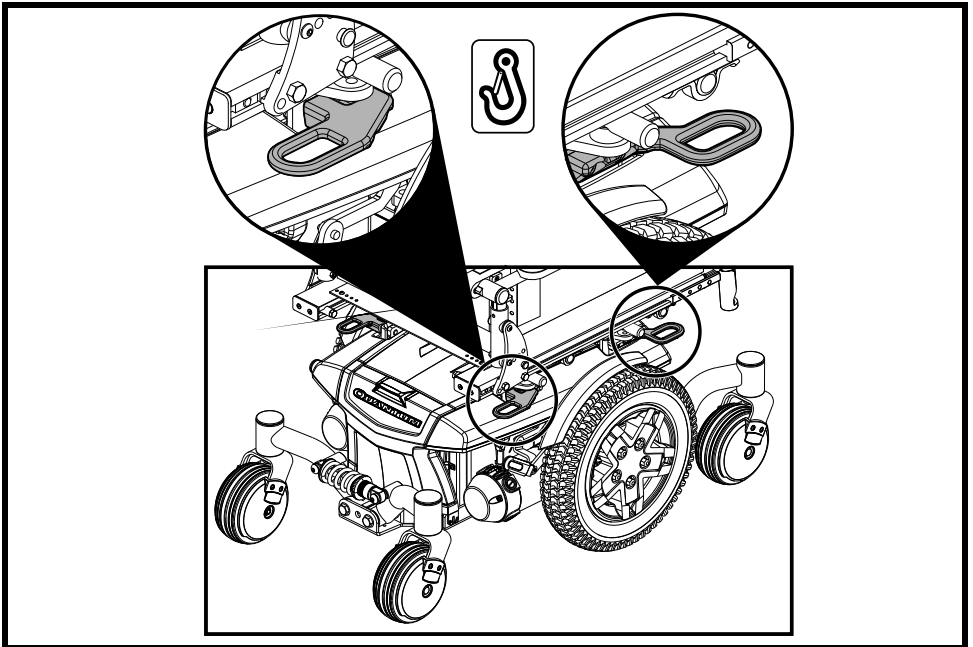


Figure 5. Securement Points on a Q6 Edge

Securing the Power Chair Occupant (Applies to Transit Systems Rated for Occupied Use Only)

Once the power chair has been properly secured, it is essential that the power chair occupant be protected for transport.



WARNING! The power chair occupant must be secured with dynamically crash-tested and approved pelvic and upper-torso belts or with a five-point child restraint harness as part of WTORS.

- Always secure the power chair occupant in a forward-facing position in the vehicle.
- Place the pelvic belt across the front of the pelvis near the upper thighs, not high over the abdomen.



WARNING! The pelvic belt should be angled between 45 and 75 degrees to the horizontal when viewed from the side. However, if the user cannot achieve this standard, an optional zone of 30 to 45 degrees can be utilized safely.

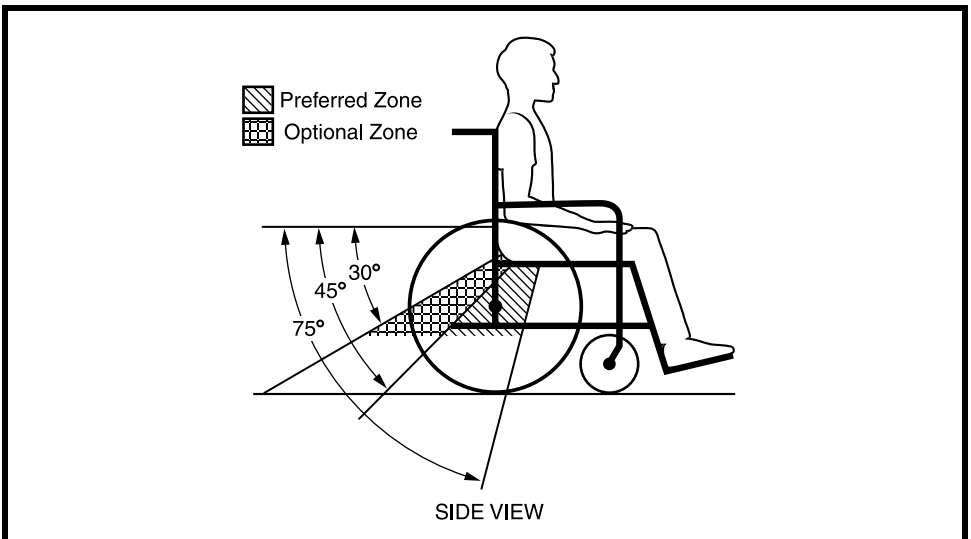


Figure 6. Recommended Pelvic Belt Placement Angles

- The frontal clear zone (FCZ) is measured from the forwardmost point on the occupant's head and should measure at least 26 in. (65 cm) if both a pelvic and upper-torso belt are used. See figure 7.

NOTE: The recommended frontal clear zone may not be achievable for power chair-seated vehicle operators.

- The rear clear zone (RCZ) is measured from the rearmost point on the occupant's head and should measure at least 16 in. (40 cm). See figure 7.
- The seated head height (HHT) ranges from about 47 in. (120 cm) for a small adult female to about 61 in. (155 cm) for a tall adult male. See figure 7.

WARNING! Always allow for proper clear zones when securing an occupied power chair in a motor vehicle.

WARNING! Allow as much clearance as possible around the power chair occupant to reduce the possibility of contact with vehicle components and other passengers in the event of a crash.



WARNING! Ensure all vehicle components that are in close proximity to the power chair occupant are removed or covered with dense padding.

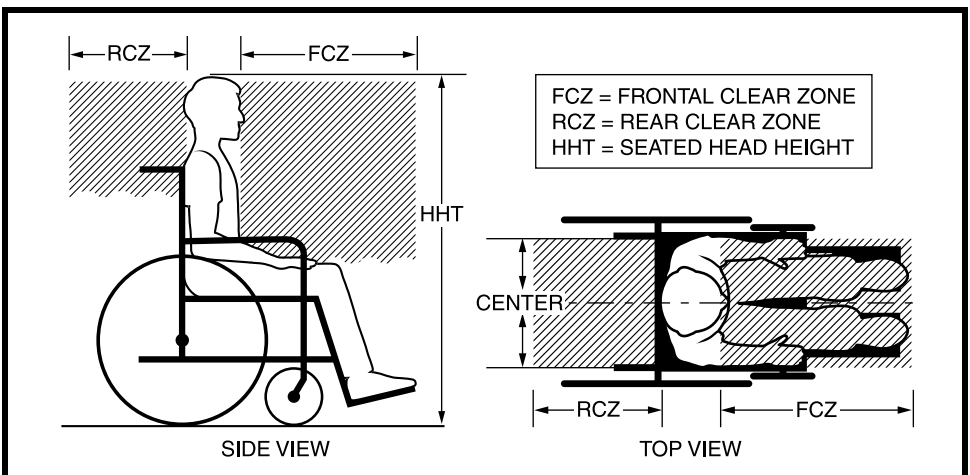


Figure 7. Recommended Clear Zones for Power Chair-seated Occupants

- Some power chair components, like armrests and wheels, can interfere with proper belt fit. It may be necessary to insert the belt between the armrest and the seatback or through openings between the backrest and seat in order to avoid placing the pelvic belt over the armrest. **See figure 8.**

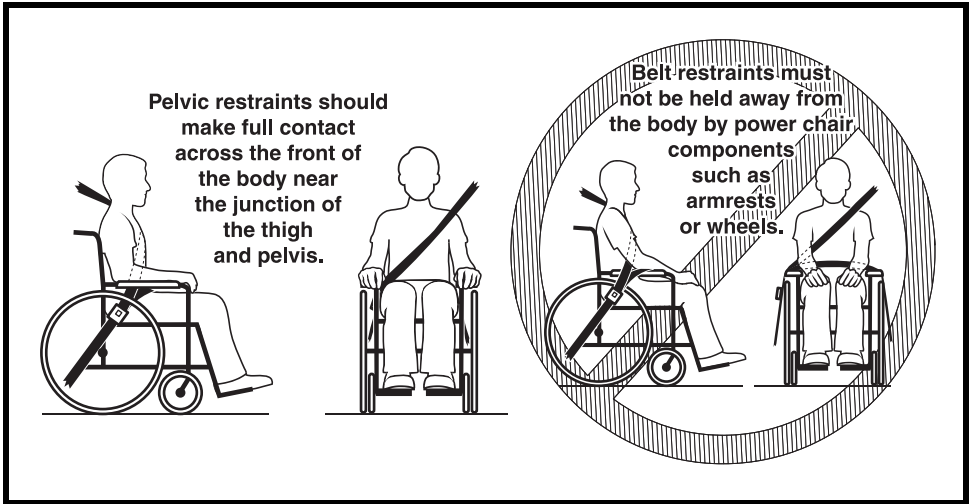


Figure 8. Proper Pelvic Belt Placement

- Place the upper-torso belt across the middle of the shoulder and the center of the chest, and connect to the pelvic belt near the hip of the power chair occupant. **See figure 9.**



WARNING! The upper-torso belt webbing should not be worn twisted in a manner that reduces the area of contact of the belt with the occupant.

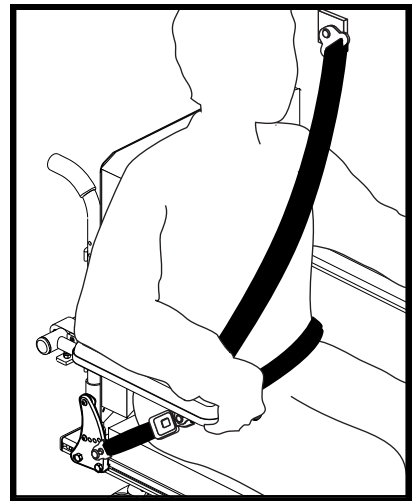


Figure 9. Upper-torso Belt Placement

- The upper-torso belt anchor point should be anchored above and behind the top of the power chair occupant’s shoulder to ensure that the occupant is properly restrained during transport. Both the pelvic and upper-torso belt restraints should be adjusted as snugly as possible consistent with user comfort.



WARNING! The buckle of belt restraint systems should not be located near power chair components that may come in contact with the buckle release button in the event of a vehicle accident or collision.

- If your power chair is equipped with a crash-tested pelvic belt that is anchored to the seat frame, complete the restraint system by attaching the lower end of the WTORS upper-torso belt to the pelvic belt by referring to the WTORS manufacturer’s instruction. Crash-tested power chair-anchored pelvic belts will be labeled to indicate compliance to the ANSI/RESNA WC/Vol 4, Section 19/ISO 7176-19 standards. See **figure 10**.

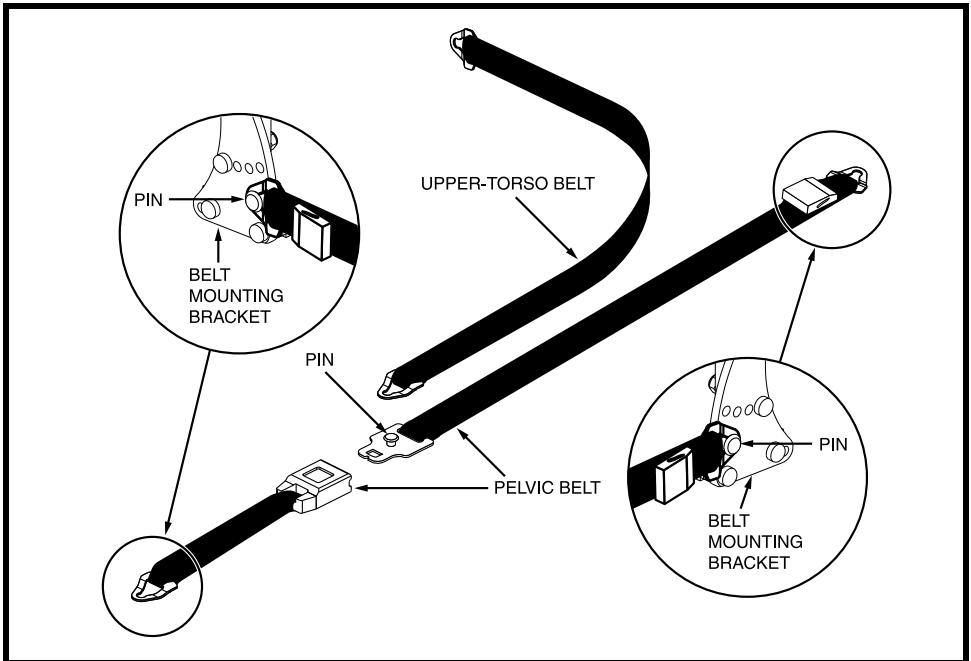


Figure 10. Power Chair-anchored Belt Restraint

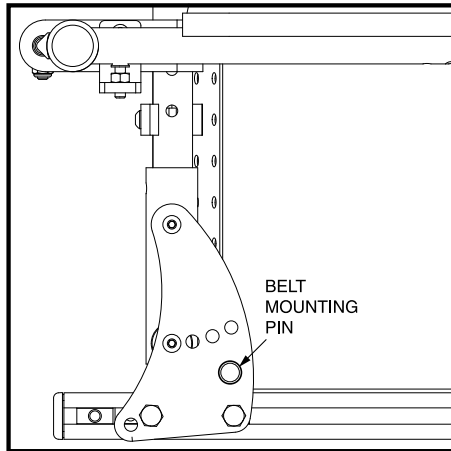


Figure 11. Power Chair Belt Restraint Anchor



MANDATORY! A vehicle-anchored belt restraint system conforming to ANSI/RESNA WC/Vol 4, Section 18/ISO 10542 must be used if the power chair occupant chooses not to utilize a manufacturer-installed power chair-anchored belt restraint system.



WARNING! Although postural supports and belts may be used in a moving vehicle in addition to the occupant belt restraint system, they should not be relied upon to replace occupant restraints that have been designed and tested for this purpose and should not interfere with proper belt restraint placement.

Transit Securement System

The following components of the transit securement system must be compliant to ANSI/RESNA WC/Vol. 4, Section 18/ISO 10542 standards (formerly SAE J2249) and must be installed according to the manufacturer's instructions.

- Wheelchair Tie-down and Occupant Restraint System (WTORS)
- 4-point power chair tie-down system with an integrated 3-point occupant restraint
- Tie-down end fittings
- WTORS securement points
- Occupant restraint securement points

NOTE: To obtain a copy of ANSI/RESNA WC/Vol. 4, Sections 18 and/or 19 visit <http://www.ansi.org>.

NOTE: To obtain a copy of ISO 7176-19 or ISO 10542 visit <http://www.iso.org>.

Important Points to Remember



MANDATORY! Read and follow all manufacturer's instructions, including the product owner's manual.



MANDATORY! Any WTORS or power chair involved in a vehicle crash should be replaced.

WARNING! The power chair seatback should be positioned at an angle of no more than 30 degrees to the vertical. If a greater recline angle is required, the upper-torso belt anchor point should be moved rearward along the vehicle's sidewall to ensure that the belt maintains contact with the power chair occupant's shoulder and chest.

WARNING! Visually inspect all WTORS equipment according to WTORS manufacturer's instructions on a regular basis, and have worn or broken components replaced immediately. Ensure anchorage track is free of dirt and debris.



WARNING! Remove hard trays and stow or secure them elsewhere in the vehicle to reduce the chance of power chair occupant injury from contact with the tray.

WARNING! Consider using foam trays in place of rigid trays during vehicle transport. If that is not possible, place dense foam padding between the power chair occupant and the tray, and make sure that the tray is securely attached to the power chair so that it will not break loose and cause injury to other occupants in a crash.

WARNING! Ensure the power chair occupant is properly positioned to protect the neck during rear impact.



WARNING! Secure all removable accessories, including clothing guards, medical, and other equipment to the power chair or vehicle to prevent injury during a crash.

WARNING! If head and neck support is required during travel, use a soft, light neck collar as they are less likely to cause neck injury in a crash. Do not attach the soft collar to the power chair or seating system.

APPENDIX: DECLARATIONS

Pride Occupied Transit Securement System Declarations



MANDATORY! A belt restraint system with both pelvic and upper-torso belts must be used to protect the power chair occupant and minimize the likelihood of injury caused by contact with the vehicle during a crash or sudden braking.



The occupied power chair was dynamically tested in a forward-facing position with the surrogate occupant restrained by both pelvic and upper-torso belts and conforms with ANSI/RESNA WC/ Vol. 4, Section 19/ISO 7176-19.

The power chairs were tested with the following specifications:

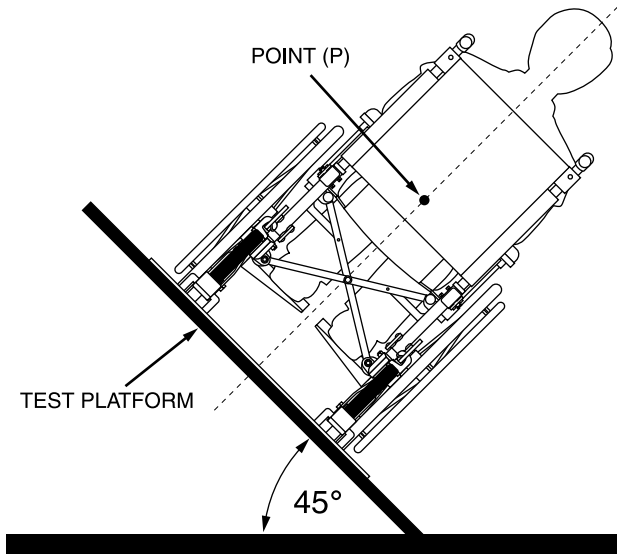
| Power Chair | Mass | Turning Radius with Front Riggings | Seat Size | Overall Rating |
|---------------|----------------------|------------------------------------|-----------------|----------------|
| Quantum 6000Z | 348 lbs. (158 kg) | 24.5 in. (62.23 cm) | 18 in. x 20 in. | A |
| Quantum 600 | 294 lbs. (133 kg) | 20 in. (50.8 cm) | 18 in. x 20 in. | A |
| Q6 Edge | 286 lbs. (130 kg) | 23.5 in. (59.69 cm) | 18 in. x 20 in. | A |

- The overall rating of the power chair accommodating fit and use of a vehicle-anchored belt restraint is listed above. This rating is ranked as follows:

| Rating | Description |
|--------|-------------|
| A | Excellent |
| B | Good |
| C | Fair |
| D | Poor |

APPENDIX: DECLARATIONS

- The test for Lateral Stability Displacement for Point (P) is shown in **figure 12**. The average test result for Point (P) is:
Quantum 6000Z: (0.52 in.) 13.3 mm
Quantum 600: (0.38 in.) 9.7 mm
Q6 Edge: (0.54 in.) 13.6 mm



NOTE: Rear view of the power chair and human surrogate secured on test platform and tilted to 45°.

Figure 12. Lateral Stability Displacement Illustration

QUANTUM[®] **REHAB**

A Division of Pride Mobility Products[®] Corp.

Pride Mobility Products Corporation
182 Susquehanna Avenue
Exeter, PA 18643-2694
USA

Pride Mobility Products Company
380 Vansickle Road Unit 350
St. Catharines, Ontario L2R 6P7
Canada

Pride Mobility Products Ltd.
32 Wedgwood Road
Bicester, Oxon OX26 4UL
UK

Pride Mobility Products Australia Pty. Ltd.
20-24 Apollo Drive
Hallam, Victoria 3803
Australia

Pride Mobility Products Italia S.r.l.
Via del Progresso - ang. Via del Lavoro
Loc. Prato della Corte
00065-Fiano Romano (RM)

Pride Mobility Products Europe B.V.
Castricummer Werf 26
1901 RW Castricum
The Netherlands

Pride[®]
Mobility Products Corp.

* I NFMANU3658 *

Free Manuals Download Website

<http://myh66.com>

<http://usermanuals.us>

<http://www.somanuals.com>

<http://www.4manuals.cc>

<http://www.manual-lib.com>

<http://www.404manual.com>

<http://www.luxmanual.com>

<http://aubethermostatmanual.com>

Golf course search by state

<http://golfingnear.com>

Email search by domain

<http://emailbydomain.com>

Auto manuals search

<http://auto.somanuals.com>

TV manuals search

<http://tv.somanuals.com>