



THE PLASMON *INFINITY*

LF 6600

OPTICAL DISK DRIVE

User Manual

P/N 97653976 F



New features and changes to information in this document are indicated by change bars. Revision level is indicated by the letter following the eight-digit document number. If a document has undergone major modifications, change bars will not be inserted in the document.

Reproduction of this manual, or any portion of this manual, is prohibited without the express permission of Plasmon Laser Magnetic Storage (LMS). Plasmon LMS reserves the right to make changes in this document and the product referred to herein without prior notice.

© 1999 Plasmon Laser Magnetic Storage

WARNING



Always observe the following when installing, operating or maintaining this product:

- This unit must be connected to a power distribution system that has a direct connection to earth ground (Terminated Terra [TT] network/ground connected). This unit is not suitable for use on a floating ground (Interrupted Terra [IT]) network.
- The AC input power cord must be shielded and must have a minimum current rating of 10 A with a nominal cross-section area of 0.75 sq mm (reference: AWG #18) per conductor, 2 wires plus ground and product safety approvals as required for use in the country in which the unit is installed.
- When the unit is mounted in an equipment rack or cabinet, be certain that the internal temperature within the rack or cabinet does not exceed the limits defined in the Product Specification or this document.
- To ensure the integrity of safety features of this unit, maintenance must be performed only by qualified service personnel using designated Plasmon LMS parts.
- In case of fire or other emergency, isolate the units from the main power by disconnecting the power plugs from their site power receptacles. In situations where disconnecting the plugs is not possible or practical, use the system main power disconnect to isolate the units from the main power.
- To prevent fire or shock hazard, do not expose this unit to rain or moisture. Refer servicing to qualified technicians.

(German Translation)

WARNING



Bei der Installation, Bedienung und Wartung dieses Produkts, bitte immer die folgenden Vorsichtsmaßnahmen treffen:

- Dieses Gerät muß an ein Stromversorgungssystem angeschlossen werden, das direkt mit einem Erdungsanschluß verbunden ist (Terminated- Terra-Netz [TT]/mit Erdanschluß). Dieses Gerät kann nicht an ein ungeerdetes Netz (Interrupted Terra [IT]) angeschlossen werden.
- Die Verbindungsschnur des Wechselstromeingangs muß entstört sein und ihr Minimalstrom unter folgenden Bedingungen bei 10 A liegen: Der Nennquerschnitt beträgt 0,75 mm je Leiter (Referenz: American Wire Gauge Nr. 18), es bestehen 2 Drähte plus ein Erdanschluß und das Produkt entspricht den im Land, in dem es aufgestellt wird, geltenden Sicherheitsvorschriften.
- Wird das Gerät in ein Gerätegestell oder einen Geräteschrank eingebaut, ist darauf zu achten, daß die interne Temperatur im Gestell oder Schrank nicht über die in den Produktspezifikationen oder diesem Dokument angegebenen Grenzwerte hinausgeht.
- Um ein ordnungsgemäßes Funktionieren der Sicherheitsmerkmale dieses Gerätes zu gewährleisten, dürfen Wartungsarbeiten nur von qualifiziertem Fachpersonal ausgeführt werden. Es sind darüber hinaus nur Ersatzteile zu verwenden, die von der Firma Plasmon LMS angegeben werden.
- Im Falle eines Feuers oder in einem anderen Notfall sind die Geräte vom Hauptnetz zu trennen, indem die Netzstecker aus den Steckdosen am Einbauort gezogen werden. Ist ein Herausziehen der Stecker nicht möglich oder zu umständlich, trennen Sie die Geräte mit Hilfe des System- Hauptnetzabschalters vom Hauptnetz.
- Um Feuer- oder Stromschlaggefahr zu vermeiden, ist dieses Gerät niemals Regen oder Feuchtigkeit auszusetzen. Wartungsarbeiten sind qualifiziertem technischen Personal zu überlassen.

RADIO/TV INTERFERENCE (USA)

The information in this section applies only to units in use within the United States:

This equipment generates and uses radio frequency energy and, if not installed and used properly, that is, in strict accordance with the manufacturer's instruction, may cause interference to radio and television reception. It has been type tested and found to comply with the limits for a Class A computing device in accordance with the specifications of Part 15 of FCC Rules, which are designed to provide reasonable protection against such interference in a residential installation. However, there is no guarantee that interference will not occur in a particular installation. If this equipment does cause interference to radio or television reception, which can be determined by turning the equipment off and on, the user is encouraged to try to correct the interference by one or more of the following measures:

- reorient the receiving antenna
- relocate the equipment away from the receiver
- plug the equipment into a different outlet so that equipment and receiver are on different branch circuits.

If necessary, the user should consult the dealer or an experienced radio/television technician for additional suggestions. A pamphlet by the FCC 'How to Identify and Resolve Radio-TV Interference Problems' is available from the US Government Printing Office, Washington, D.C., 20402, Stock No. 044-000-00345-4.

CDRH COMPLIANCE

LF 6600 contains a Class 1 Laser Product. This product complies with 21CFR Chapter 1, Subchapter J, applicable at date of manufacture.

CANADIAN EMI COMPLIANCE

Canadian Department of Communications standards require that the following statement appear in operating manuals for any digital apparatus imported into Canada:

This digital apparatus does not exceed the Class A limits for radio noise for digital apparatus set out in the Radio Interference Regulations of the Canadian Department of Communications.

FRENCH TRANSLATION

Cet équipement digital ne dépasse pas les limites de la Classe A pour les interférences radioélectriques des systèmes digitaux fixées par les Règlements concernant les Interférences Radioélectriques établis par le Ministère des Communications du Canada.

All Plasmon LMS products comply with the requirements of this standard.

Agency Compliance and Approval

For details on Agency Compliance and Approval refer to the *LF 6600 Product Specification Manual*.

TABLE OF CONTENTS

<i>SCOPE</i>	9
RELATED PUBLICATIONS	9
<i>GENERAL DESCRIPTION</i>	11
<i>DRIVE CHARACTERISTICS</i>	13
FRONT PANEL	15
REAR PANEL	16
DIMENSIONS AND WEIGHT	17
SHIPPING WEIGHT	17
TEMPERATURE, HUMIDITY AND ALTITUDE	18
SHOCK AND VIBRATION	19
AC POWER REQUIREMENTS	19
AC GROUND	20
AC POWER CORD	20
POWER SUPPLY OUT-OF-RANGE PROTECTION	20
TILT RANGE	20
HEAT DISSIPATION	20
PARTICULATE LIMITS	20
WARNING LABELS	21
<i>UNPACKING AND REPACKING INSTRUCTIONS</i>	23
UNPACKING THE TOWER CONFIGURATION	23
UNPACKING THE RACK MOUNT CONFIGURATION	26
INSPECTING THE LF 6600	28
REPACKING THE LF 6600	28
CLOSING THE BASEPLATES	29
REPACKING THE TOWER CONFIGURATION	30
REPACKING THE RACK MOUNT CONFIGURATION	31
<i>INSTALLATION AND DE-INSTALLATION</i>	33
INSTALLATION REQUIREMENTS	33
TOWER INSTALLATION	34
RACK MOUNT INSTALLATION	35
SCSI BUS CONSIDERATIONS	48
CONNECTING POWER AND SCSI CABLES	50
CONNECTING THE POWER CORD	51
CONNECTING MULTIPLE DEVICES	51
CONNECTING A SINGLE DEVICE	52
CONNECTOR VERIFICATION	53
RACK MOUNT CONFIGURATION DE-INSTALLATION	54

<i>OPERATING INSTRUCTIONS</i>	<i>57</i>
CONTROLS AND INDICATORS	57
POWER-ON PROCEDURE	59
MODES OF OPERATION	60
OPERATING MODE	60
CONFIGURATION MODE	62
TEST MODE	84
MEDIA CARTRIDGE HANDLING	85
SETTING THE WRITE PROTECTION SWITCH	87
AFFIXING LABELS	88
MEDIA INSERTION AND REMOVAL	88
MANUAL CARTRIDGE RELEASE MECHANISM	92
MEDIA LOADING	96
<i>OPERATOR MAINTENANCE</i>	<i>97</i>
INSPECTING AND CLEANING FAN AND BLOWER FILTERS	97
REPLACING FUSES	98
MEDIA CLEANING	100
MEDIA CLEANING USING	
CLEANING KIT P/N 97662550	100
<i>ACCESSORIES</i>	<i>101</i>
<i>APPENDIX A</i>	<i>105</i>
GERMAN TRANSLATIONS/ ÜBERSETZUNGEN INS DEUTSCHE	105

This User Manual describes unpacking, installing, operating, and maintaining the Plasmon LF 6600 RapidChanger High-Performance Optical Disk Drive.

RELATED PUBLICATIONS

Publication	Part Number
LM 6000 Media Product Specification	97647044
LD 6100/LF 6600/LF 6602 Product Specification	97653977
LD 6100/LF 6600/ LF6602 SCSI Interface Specification	97653978
LD 6100 Hardware Maintenance Manual	97653979
LF 6600/LF 6602 Hardware Maintenance Manual	97653980
LD 6100 User Manual	97654437

WARRANTY STATEMENT

The LF 6600 is warranted as stated in the purchase agreement between Plasmon and it's customer, or the Plasmon sales order acknowledgment, whichever is applicable.

The Plasmon LMS quality system is in compliance and registered to ISO 9001. The LF 6600 is manufactured from new parts, or remanufactured parts.

LF 6600 warranty does not cover defects or damage caused by the use of unauthorized parts or repairs or improper use or maintenance. Repairs or replacements not covered by the warranty will be invoiced at LMS' then current prices.

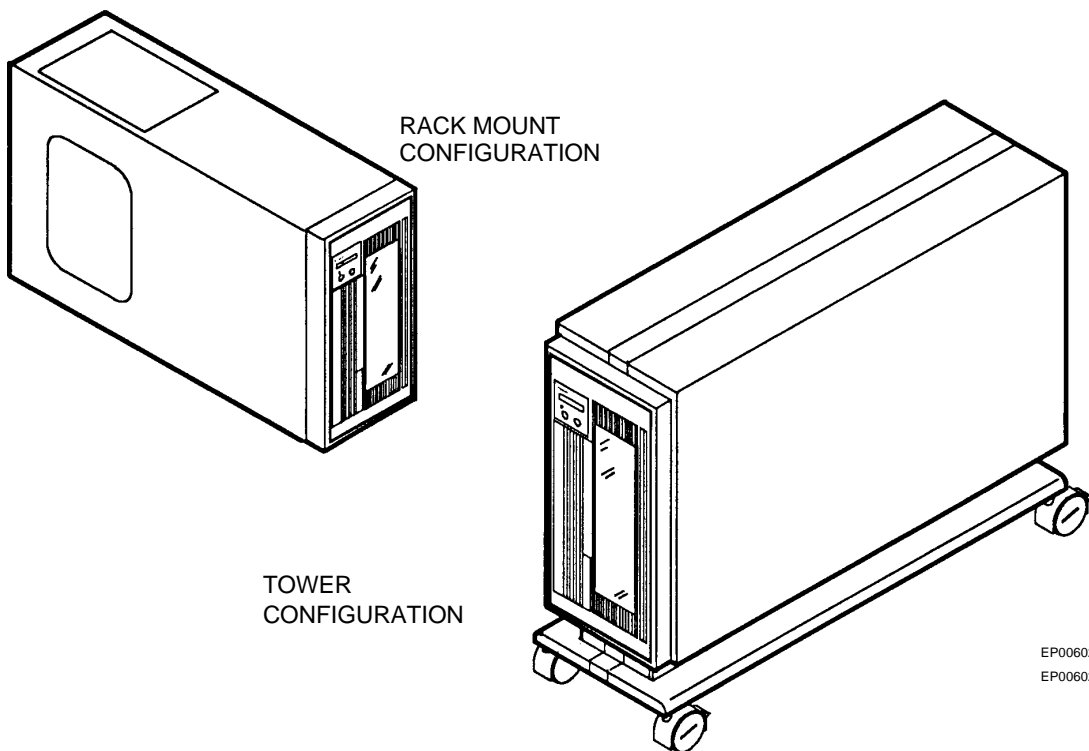
The warranty is void when installation, service or repairs are performed by unauthorized personnel; when the product is affected by unauthorized alterations, modifications or other tampering or misuse; when the product is incorporated into a system which causes or involves any changes in the physical, mechanical or electrical arrangement of the product; or when the product is not used in accordance with its applicable specifications.

The term, authorized personnel, is defined as those persons who have been trained by Plasmon LMS Technical Services.

GENERAL DESCRIPTION

The LF 6600 RapidChanger is a write once read many (WORM), high-capacity optical disk drive with an integral shuttle capable of holding up to six LM 6000/LM 4000 media cartridges. The integral shuttle moves laterally to position one of six media cartridges for automated loading and unloading into the optical drive. The LF 6600 RapidChanger provides up to 12 GBytes of online storage or up to 72 GBytes nearline storage.

The LF 6600 is available in either a Rack Mount or Tower configuration. Two LF 6600 Rack Mount drives can be mounted side-by-side in an EIA standard 19-in. rack. The Tower is a standalone LF 6600 that can be located on an open floor or beside a desk.



LF 6600 Configurations

A **Drive Operator Console (DOC)** located on the front panel of the drive provides user control of drive operation and configuration as explained in the operator section of this manual. Operating messages are presented on the alphanumeric display in English, French or German. The language used is selectable. The front panel includes a lockable media access door to provide operator access to the shuttle and media cartridges.

The **Auxiliary Diagnostic Port (ADP)**, located on the rear panel of each drive, can be used to download updates to the drive firmware in the field. Refer to the LD 6100/LF 6600/LF 6602 Product Specification (P/N 97653977) for more information.

The LF 6600 supports a sustained read transfer rate of 2.7 MBytes/sec with error correction and defect management capabilities to maintain data integrity and manage media flaws. The LF 6600 supports a sustained write transfer rate of 1.3 MBytes/sec with data verification.

The LF 6600 implements the Small Computer System Interface (SCSI) via standard [SCSI-2 micro-connectors](#) located on the rear panel. Single-ended and differential interface options are available, and the interface can be changed in the field. Both the single-ended and differential controllers support asynchronous or synchronous data transfer operations.

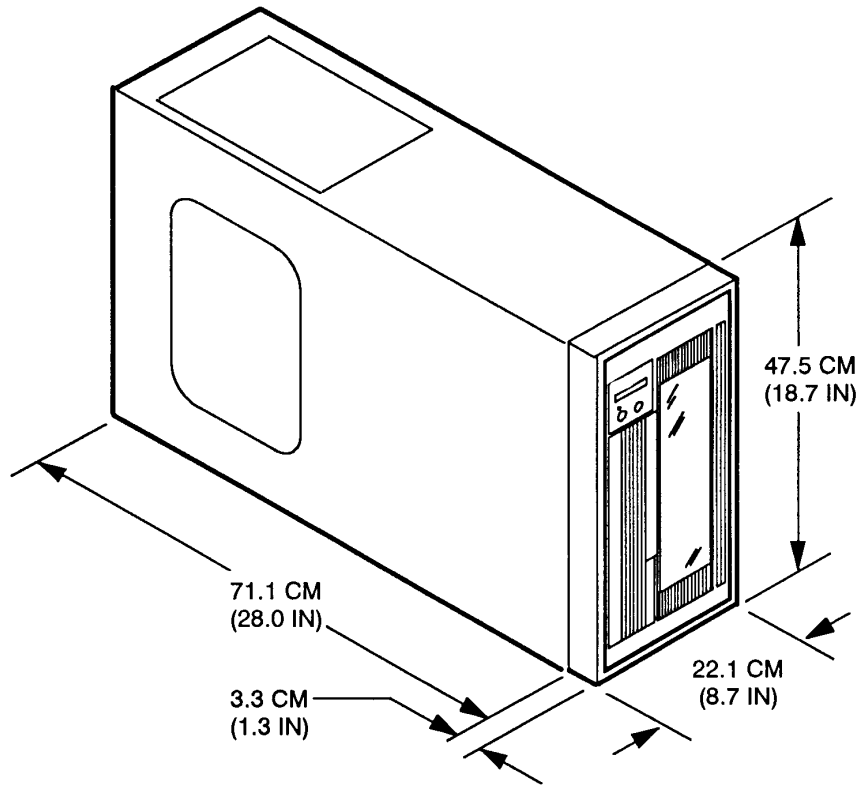
Preventive maintenance for the LF 6600 is minimal (refer to Operator Maintenance section of this manual). Corrective maintenance is simplified by internal diagnostic firmware which detects, isolates and reports malfunctions to the operator and identifies the Field Replaceable Unit (FRU).

LM 6000 media is interchangeable between the LF 6602, LF 6600 and the LD 6100.

The 6000 series of drives will also read LM 4000 media written by the Plasmon LMS 4000 series of optical drive products (except for media with serial numbers less than X0010000, where X designates an A or B).

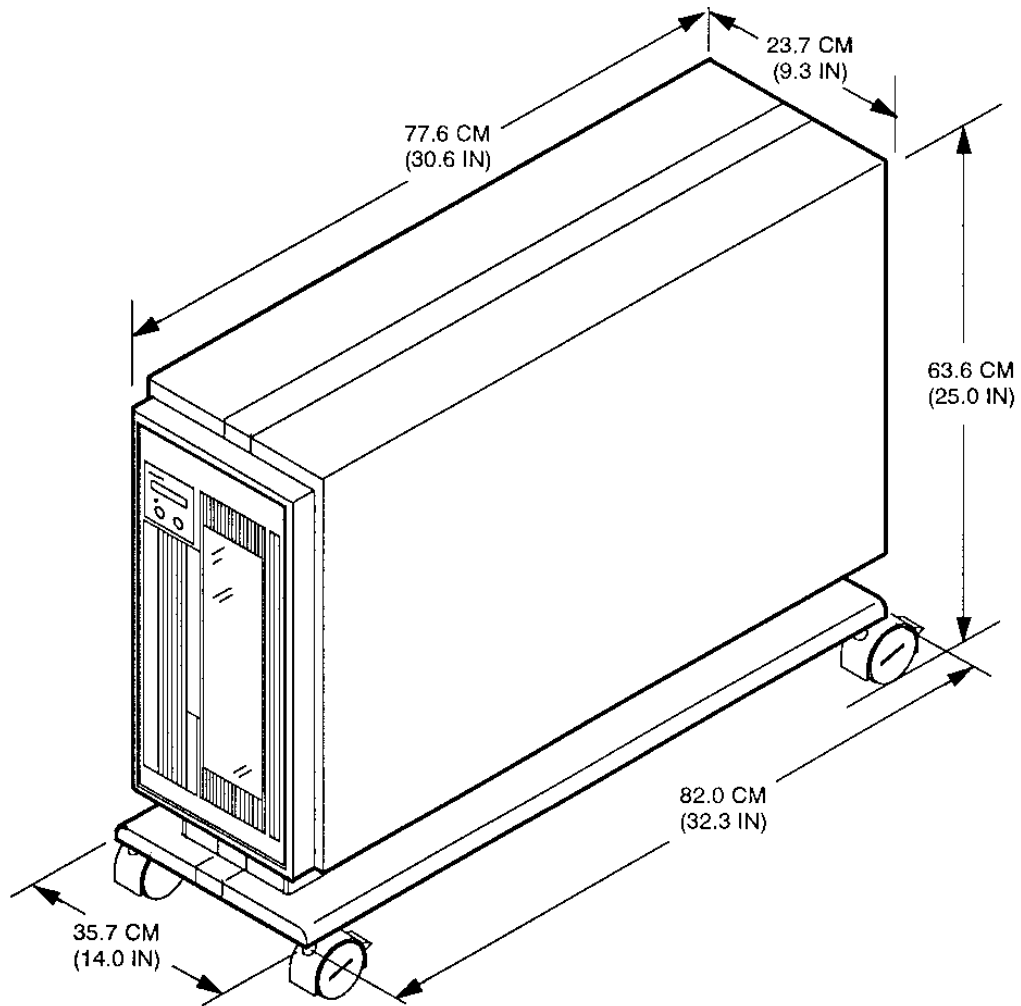
DRIVE CHARACTERISTICS

The LF 6600 Rack Mount and Tower configurations use the same major assemblies (refer to the next two figures).



LF 6600 Rack Mount Configuration

EP006023

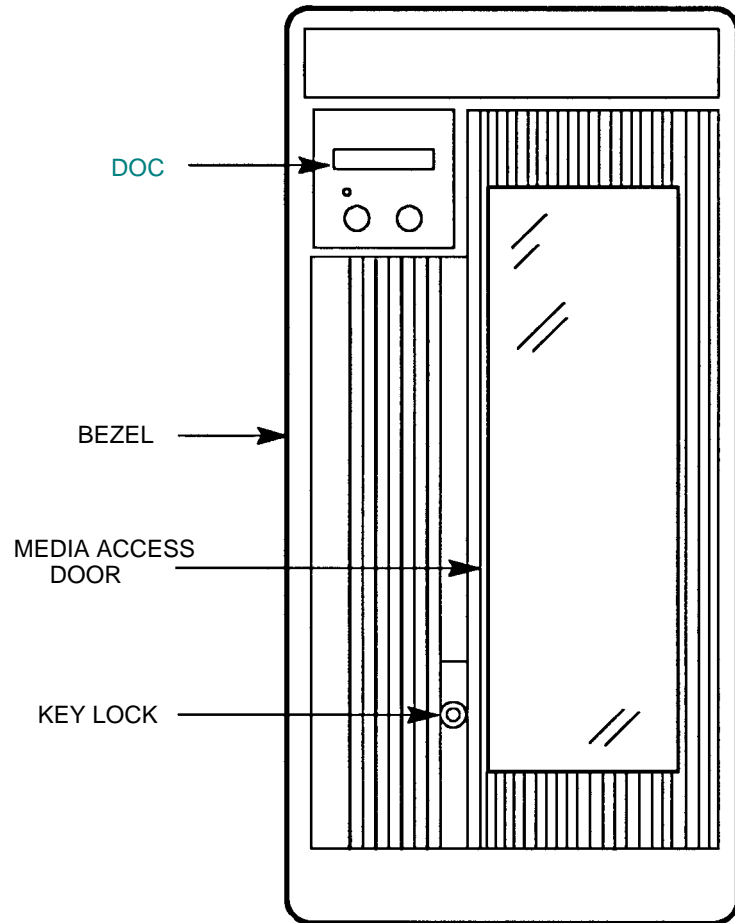


LF 6600 Tower Configuration

EP006024

FRONT PANEL

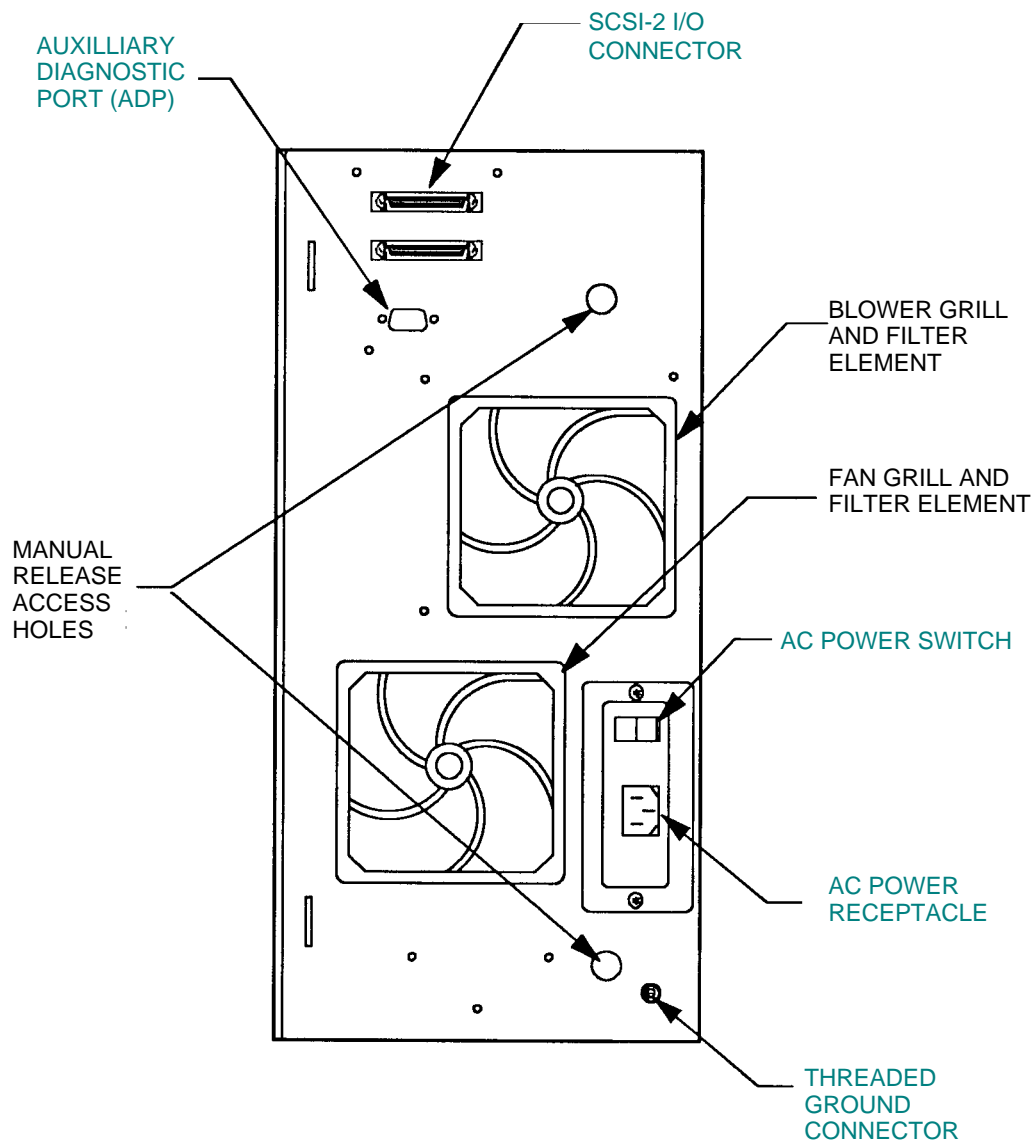
The LF 6600 front panel (see figure below) includes a Drive Operator Console (DOC), media access door, and door lock within a bezel assembly. Refer to the Operating Instruction section of this manual for a detailed description of the DOC.



LF 6600 Front Panel

REAR PANEL

The LF 6600 rear panel contains the power switch along with AC power connector and fuses, the ground connector, and external interface connectors.



LF 6600 Rear Panel

EP006013

DIMENSIONS AND WEIGHT

The table below lists the reference dimensions of the LF 6600 configurations.

Dimensions of the LF 6600 Configurations

DIMENTION	RACK MOUNT	TOWER
Length	71.1 cm (28.0 in) 74.4 cm (29.3 in) with Bezel	82.0 cm (32.3 in) including Pedestal
Width	22.1 cm (8.7 in) includes Bezel	35.7 cm (14.in) including Pedestal
Height	46.7 cm (18.2 in) 47.5 cm (18.7 in) with Bezel	63.6 cm (25.0 in) including Pedestal
Mounting Depth	71.1 cm (28.0 in)	

SHIPPING WEIGHT

The LF 6600 shipping weight is listed below. These values do not include media cartridges.

Rack Mount: 44.1 kg (97 lbs)

Tower: 62.3 kg (137 lbs)

TEMPERATURE, HUMIDITY AND ALTITUDE

The following table lists the LF 6600 operating, storage and transit limits for temperature, humidity and altitude.

Temperature, Humidity and Altitude Limits

CONDITION	OPERATING	NONOPERATING	STORAGE/TRANSIT ¹
Temperature	10 to 42° C ² (50 to 108° F)	-40 to 66° C -40 to 151° F)	-40 to 66° C -40 to 151° F)
Maximum Rate of Change	11° C/hr (20° F/hr)	20° C/hr (36° F/hr)	20° C/hr (36° F/hr)
Humidity (Noncondensing)	10 to 99%	5 to 95%	5 to 95%
Maximum Rate of Change	10%/hr	10%/hr	10%/hr
Maximum Wet Bulb Temperature ³	28° C (82° F)	46° C (115° F)	46° C (115° F)
Minimum Dew Point	2° C (35.6° F)	2° C (35.6 ⁰ F)	2° C (35.6° F)
Altitude ⁴	Storage: -300 to 3,000 m (-984 to 9,840 ft) Transit: -300 to 2,000 m (-984 to 6,562 ft) with media	-300 to 3,000 m (0984 to 9840 ft)	Storage: -300 to 3,000 m (984 to 9,840 ft) Transit: -300 to 12,000 m (-984 to 40,000 ft)

1 Storage specifications are for 90 days maximum in Plasmon LMS packaging. No condensation is permitted. Transit specifications are based on a maximum 1-week period in a factory-sealed container.

2 Maximum operating temperature is 42 °C for a free-standing drive at sea level unless otherwise stated. Maximum operating temperature is derated linearly above 300 m altitude to 38 °C at 2,000 m altitude.

3 See the LD 6100/LF 6600/LF 6602 Product Specification (P/N 97653977) for more information concerning the temperature and humidity operating range.

4 Media is limited to 2000 m. For conditions and limits pertaining to the media, refer to the LM 6000 Media Specification (P/N 97647044).

SHOCK AND VIBRATION

The following table lists the conditions and limits for shock and vibration.

Shock and Vibration Criteria and Limits

CONDITION	OPERATING	NONOPERATING ¹	STORAGE/TRANSIT ²
Swept Vibration (Bidirectional) 1 Octave/Min	5 to 22 Hz 0.01 in Double Amplitude, 22 to 500 Hz 0.25 g Peak	5 to 44 Hz, 0.03 in Double Amplitude, 44 to 500 Hz 3.0 g Peak	5 to 44 Hz, 0.03 in Double Amplitude, 44 to 500 Hz 3.0 g Peak
Shock ³ (Host Retries May Be Required and Drive Performance May Degrade During Test)	10 - msec Half Sine Pulse of 10.0 g Peak ⁴		
Unpacked (3 Axis)		5 - msec Half Sine Pulse of 20 g Peak	
Packed on Pallet			46 - cm (18 - in) Drop Test Flat

1 With media removed.

2 In LMS - approved packaging.

3 Shock repetition rate should be limited to allow mechanical system transients to subside between pulses.

4 For front - to - back axis, shock above 3.0 g peak will displace media from shuttle.

AC POWER REQUIREMENTS

The LF 6600 has a grounded [power connector integrated into the AC power switch](#). Over current protection is provided by two fuses integrated into the AC power switch. Two spare fuses are included within the power connector. Refer to the Operator Maintenance section for the [fuse replacement procedure](#).

The drive's power supply accepts the input line voltages listed in the table below. The power supply is auto ranging and does not require mechanical switching for input voltage or frequency selection.

AC Power Requirements

FREQUENCY	AC VOLTAGE	CURRENT (TYPICAL)	SPIN - UP SURGE ¹	MINIMUM SERVICE RATINGS
47 to 66 Hz	86.7 to 128 V	1.5 A	5.5 A	15 A
47 to 66 Hz	173.4 to 268 V	0.75 A	2.75 A	15 A

1 Less than 1 sec, cold start

NOTE

After the power has been turned off, the operator must wait 1 second before turning on the power again

AC GROUND

The LF 6600 chassis should be connected to earth ground for operator safety. The AC power cord has a grounding conductor which connects the LF 6600 chassis to safety ground through the site AC power system. If the site AC system ties its ground wire connection to earth ground, then the LF 6600 chassis will also be tied to earth ground. All site AC power connections must be maintained on the same safety ground.

A [line grounding connector](#) located on the rear panel can also be used to tie the LF 6600 chassis to earth ground. This ground connector is a 6-mm (0.24-in.) M4 with a nut and lock washer.

AC POWER CORD

The type of AC power cord supplied with the LF 6600 will depend upon the configuration ordered.

POWER SUPPLY OUT-OF-RANGE PROTECTION FEATURES

The LF 6600 power supply provides over and under voltage protection, over current protection, power failure detection and over temperature protection. Should an out-of-range condition be detected, the LF 6600 will shut down the DC outputs of the power supply. For example, if the internal temperature of the power supply reaches 80° C +/- 5° C (176° F +/- 9° F), the power supply is shut down. After the situation is corrected, power can be restored by turning the AC power switch to the off position and then to the on position again.

TILT RANGE

The LF 6600 is not designed for use when tilted from the vertical position.

HEAT DISSIPATION

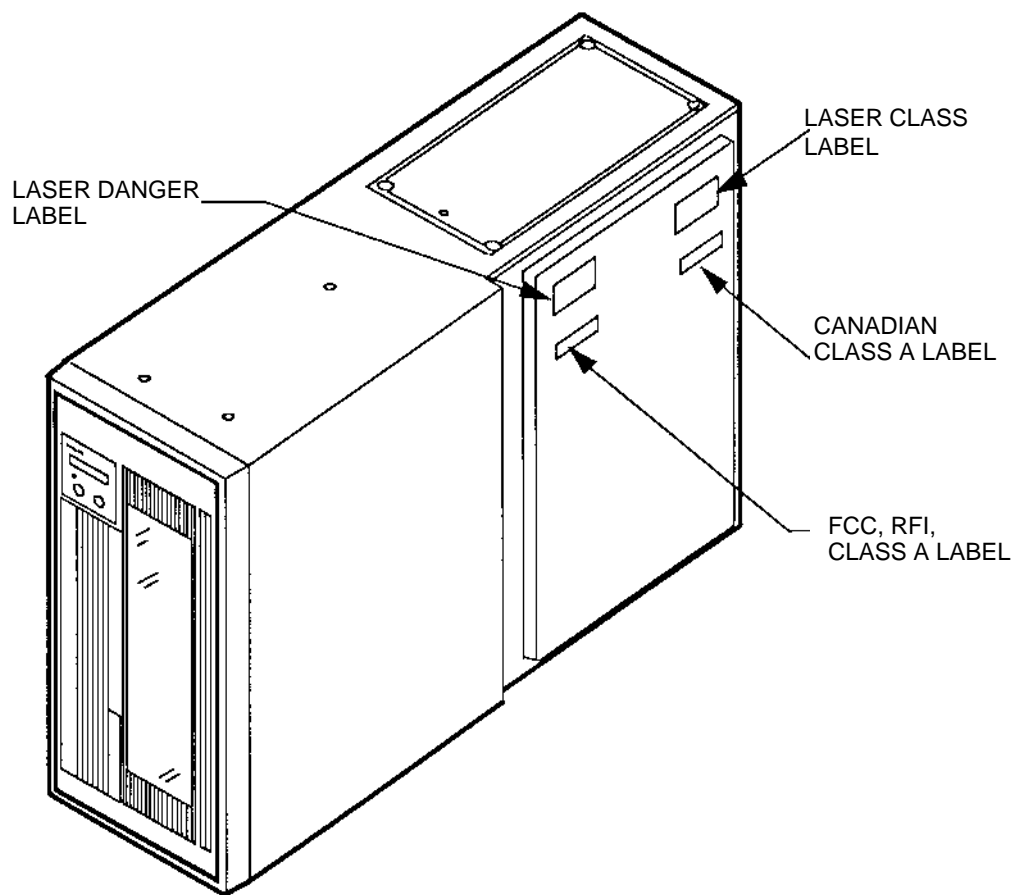
The drive will typically present a heat load of 146 kg-calories/hr (580 BTU/hr) during a read/write operation. When media cartridges are inserted, loaded, spun up, spun down, unloaded and removed at the drive's maximum rate, the LF 6600 will typically present a heat load of 182 kg-calories/hr (725 BTU/hr).

PARTICULATE LIMITS

The LF 6600 is designed for use in an office or computer room. The environment must have a low dust level. The LF 6600 filters incoming air for cooling to reduce the quantity of particles entering the drive; however, the filter is not effective against small particles (including tobacco smoke) which will become deposited on optical components and media, causing degradation in drive performance. Refer to the Operator Maintenance section for media cleaning and air filter cleaning instructions.

WARNING LABELS

The LF 6600 is classified as a laser product and meets all United States federal requirements. The warning labels shown in the figure below have been applied to the Drive to ensure compliance with federal regulations and must not be removed from the LF 6600.



EP006043

Location of LF 6600 Warning Labels

UNPACKING AND REPACKING INSTRUCTIONS

The LF 6600 is shipped with foam packing material which protects the unit from shock and vibration. When you receive your LF 6600, inspect the shipping carton for damage before unpacking the unit to substantiate a claim with the carrier if the unit is damaged. Retain all original packing materials for possible reshipment.

WARNING



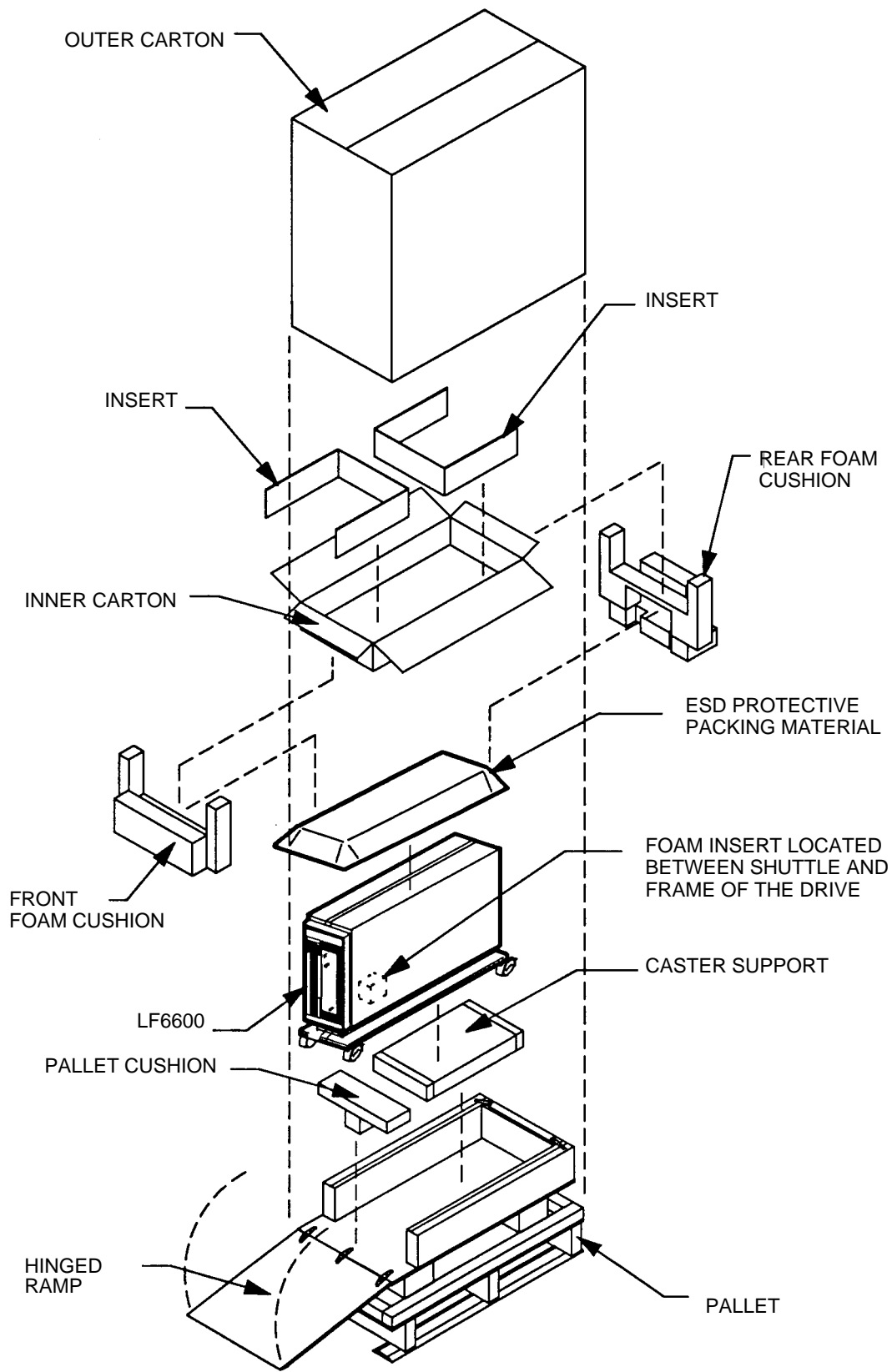
The LF 6600 must be unpacked, repacked and transported by two persons. Physical injury can result if one person attempts to lift the LF 6600. A wheeled cart is recommended for transporting the LF 6600 within a building. Precautions should be taken to guard against sudden bumps and jarring.

UNPACKING THE TOWER CONFIGURATION

The LF 6600 is packaged as illustrated in the next figure. The top, bottom and sides of the LF 6600 are protected from shock and vibration by foam cushions. The top cushions are also used to hold the accessories box (inner box) which is placed between the blocks of foam.

To unpack the unit:

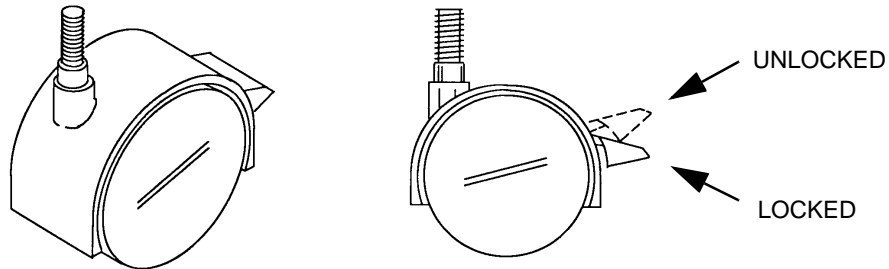
- 1) Move the carton to the installation site. Unpacking the carton at the installation site minimizes the effects of vibration and shock.
- 2) Cut the tape and straps that secure the top of the box. Do not allow the cutting blade to penetrate into the carton.
- 3) Carefully lift the outer corrugated carton up and remove it while supporting the inner hinged wooden ramp. When the carton is removed, lower the ramp to the floor and remove the front foam cushion.
- 4) Remove the accessories box (inner carton) containing cables and documentation and the two foam cushions which support the box. Remove the ESD protective packing material.



LF 6600 Tower Packing

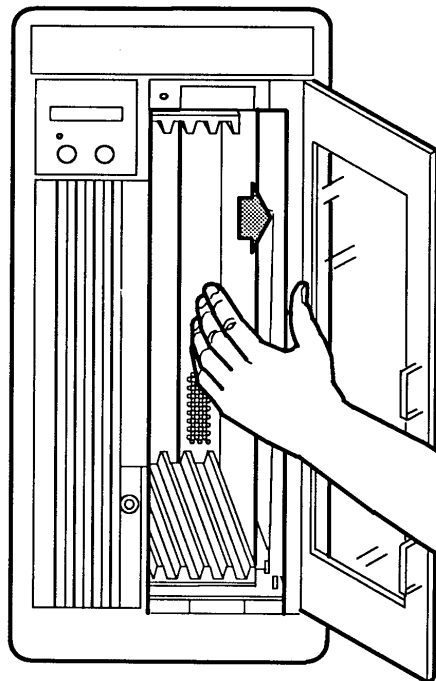
EP004566

- 5) Ensure that the casters are locked. Lift the front end of the LF 6600 high enough to remove the pallet cushion and then lower the LF 6600 onto its casters.
- 6) Unlock the casters and roll the LF 6600 down the ramp to its installation location. Precautions should be taken to avoid sudden bumps and jarring.
- 7) Lock the casters once you have the LF 6600 situated at its installation location.



Caster for the LF 6600 Tower

- 8) Open the media access door and remove the foam insert. Manually move shuttle all the way to the right to the home position.



Moving the Shuttle to the Home Position

UNPACKING THE RACK MOUNT CONFIGURATION

To unpack the LF 6600 Rack Mount configuration, refer to the next figure and perform the following procedure:

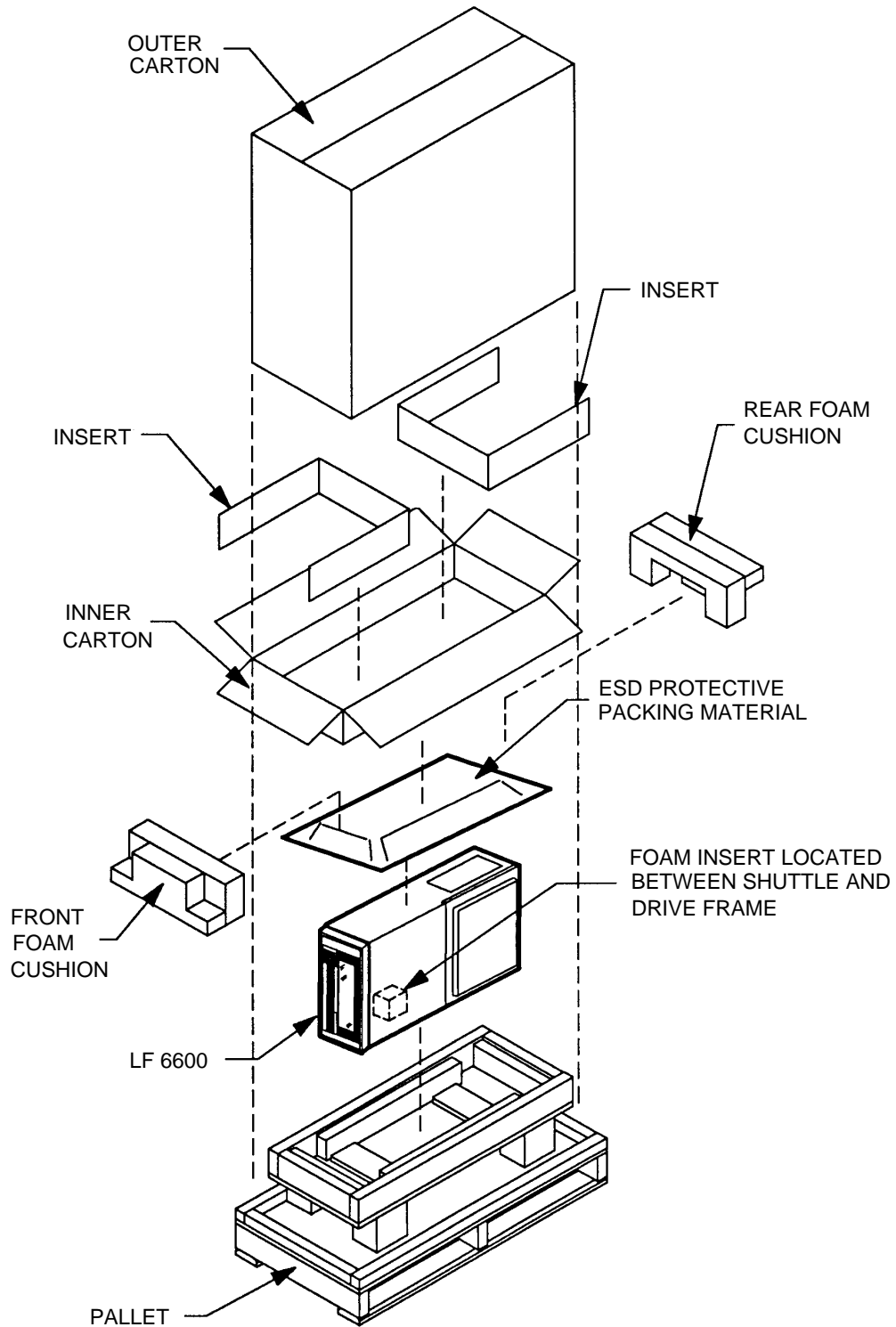
- 1) Move the carton to the installation site. Unpacking the carton at the installation site minimizes the effects of vibration and shock.
- 2) Cut the tape that secures the top of the box. Do not allow the cutting blade to penetrate into the carton.
- 3) Carefully lift the outer corrugated carton up and remove it.
- 4) Remove the accessories box (inner carton) containing cables and documentation, and remove the ESD protective packing material.
- 5) Remove the two cushions which support the accessories box (inner carton).
- 6) Carefully lift and remove the LF 6600 from the shipping carton and place it on a flat surface capable of supporting 48 kg (106 lbs). A wheeled cart is recommended for transporting the LF 6600 within a building. Precautions should be taken to avoid sudden bumps and jarring.

CAUTION



The bezel is slightly larger than the chassis. When placing the drive onto a flat surface, allow the front end of the LF 6600 to extend over the edge of the supporting surface so that the bezel does not bear any weight.

- 7) Open the media access door and remove the foam insert. Manually move the shuttle all the way to the right to the home shuttle position.



LF 6600 Rack Mount Packing

INSPECTING THE LF 6600

The following items should be included in the LF 6600 carton:

- one LF 6600 with Bezel assembly (Tower comes completely assembled)
- one AC power cable
- one User Manual
- one combination manual baseplate/door lock release tool
- I/O cables (optional)
- terminators (optional)

The following optional items, if ordered, will have been shipped with the LF 6600 in separate cartons:

- LM 6000 Media Cartridges
- Rack Mount Installation Kit
- Blank Panel Kit

After unpacking the LF 6600, check for:

- damage to the chassis cover, chassis and bezel
- damage to connectors
- dislocated or broken controls and indicators

Report all discrepancies, missing items and damaged equipment to your supplier.

If condensation exists on the drive, allow the moisture to evaporate by exposing the LF 6600 to the operating environment for at least 6 hours before powering on the unit.

REPACKING THE LF 6600

The LF 6600 should be repacked using the original packing materials. Prior to packaging the LF 6600, close the baseplates as described in the next section. Repack the LF 6600 using the following procedure.

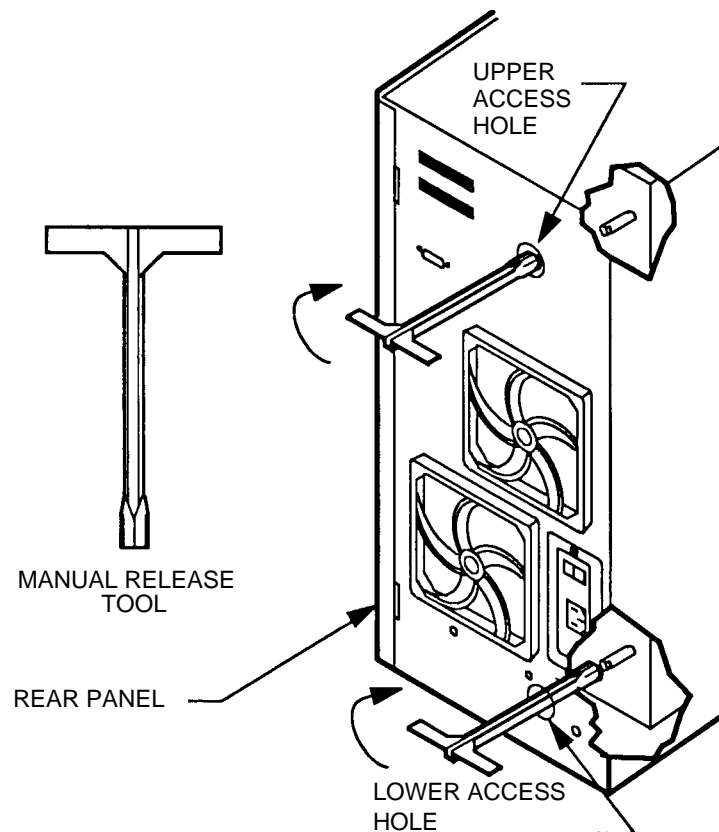
CAUTION



Shipping the LF 6600 without closing the baseplates may result in damage to the drive which is not covered under warranty.

CLOSING THE BASEPLATES

- 1) Ensure that a cartridge is not inserted in the drive; if it is, unload the cartridge. Remove all cartridges from the shuttle. To remove cartridges from a drive that is not operational, follow the procedure below:
 - a.) Ensure that the AC Power switch is set to the OFF (O) position.
 - b.) At the rear panel, insert the manual release tool into the upper access hole and engage the recessed D-shaped shaft. Turn the tool handle clockwise as far as it will turn, closing the upper baseplate.
 - c.) Repeat step b) at the lower manual release access hole to close the lower baseplate.
- 2) Select the "Park Drive" option, as explained in the Operating Instruction section of this manual.



Manually Closing the Drive's Baseplates

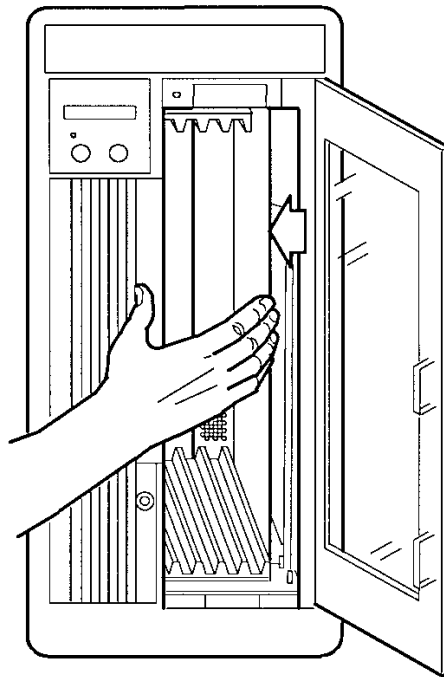
EP006047

REPACKING THE TOWER CONFIGURATION

- 1) Open the media access door.
- 2) Manually push the shuttle all the way to the left and insert the foam shipping block to hold it in place. Close the media access door.
- 3) Roll the LF 6600 up onto its shipping pallet and lock all four casters to prevent rolling.
- 4) Lift the front and rear of the LF 6600 high enough and place the caster support underneath the drive.
- 5) Raise the wooden ramp to the vertical position and place the pallet cushion between the ramp and the front panel of the LF 6600. Place the ESD protective packing material on top of the drive.
- 6) Place the two end cushions which hold the accessories box on the top front and rear of the LF 6600.
- 7) Place the power and interface cables, User Manual and other accessories into the options and accessories box and seal with tape. Place this box between the top end cushions.
- 8) Slip the corrugated shipping carton over the LF 6600 and the raised ramp, and lower the carton down to the top of the pallet.
- 9) Strap the carton to the pallet at each end.

REPACKING THE RACK MOUNT CONFIGURATION

- 1) Open the media access door and manually move the shuttle all the way to the left, and insert the foam shipping block to hold it in place. Close the media access door.
- 2) Remove the LF 6600 chassis with its bezel from the Rack Mount configuration by reversing the procedure detailed in the Installation and De-installation section. The bezel extends below the chassis; ensure that you do not place the unit flat on a hard surface, thereby damaging the bezel.
- 3) Ensure that the lower packing material is positioned to form a rectangular frame for the LF 6600 chassis which opens to the front.
- 4) Place the bezel relief cushion on the pallet so that it will support the chassis just behind the bezel.



Moving the Shuttle Assembly to the Shipping Position

- 5) Place the LF 6600 into the foam frame so that the drive rests on the bezel relief cushion and the bezel bears no weight.
- 6) Place the lower front foam cushion between the carton and the front of the LF 6600. Place the ESD protective packing material on top of the drive.
- 7) Position the two end cushions which hold the accessories box on the top front and rear of the LF 6600.
- 8) Place the power and interface cables, User Manual and other accessories into the options and accessories box and seal with tape. Place this box in between the foam end cushions.
- 9) Lower the upper sleeve down onto the lower carton and pallet.
- 10) Strap the carton to the pallet at each end.

INSTALLATION AND DE-INSTALLATION

INSTALLATION REQUIREMENTS

Adequate clearances must be provided around the LF 6600 during installation to prevent crimping and bending of cables and to ensure that future servicing can be performed safely. These clearances are also required to properly ventilate the LF 6600 and to provide operator access to the DOC and to the media access door for loading and unloading media.

CAUTION



When the LF 6600 is mounted in an equipment rack or cabinet, ensure that the internal temperature within the rack or cabinet does not exceed the operating limits as stated in the *Product Specification* and this document. When vertically stacked, these units require special attention at the top area where higher temperatures exist.

The LF 6600 must be connected to a power distribution system that has a direct connection to earth ground (Terminated Terra [TT] network/ground connected). This unit is not suitable for use on a floating ground (Interrupted Terra [IT] network).

Ensure the drive is connected to a power distribution system with adequate current-handling capacity.

The following table lists the clearances required to provide proper cooling air circulation, adequate access for cartridge loading and unloading, and full rack extension.

Operational Clearances for LF 6600 Configurations

AREA	RACK MOUNT	TOWER
Front	132 cm (52 in)	51 cm (20 in)
Rear	51 cm (20 in)	51 cm (20 in)
Sides	51 cm (20 in) 12.7 cm (5 in)	

Ensure that the site selected for the LF 6600 Tower or Rack Mount configuration is able to support a volumetric air flow of 3.2 m³/min. (112 cfm). For the Rack Mount configuration, the back door of the enclosing equipment cabinet must have air vents. Ensure that the operating environment is free from dust.

WARNING



To prevent fire or shock hazard, do not expose the LF 6600 to rain or moisture. Refer servicing to qualified technicians.

In case of fire or other emergency, isolate the units from the main power by disconnecting the power plugs from their site power receptacles. In situations where disconnecting the plugs is not possible or practical, disconnect the system main power to isolate the units from the main power. Use of controls or adjustments, or performance of procedures other than those specified herein may result in exposure to hazardous laser radiation.

Do not stare directly into the laser beam or its reflection on any reflecting mirror-like surface. Invisible laser radiation can be emitted if the unit is open and safety interlocks are defeated.

TOWER INSTALLATION

The LF 6600 Tower configuration is shipped as a complete assembly, ready for cable connections and power up. No tools are required for the installation.

CAUTION



Remove the foam shipping block from the shuttle assembly before powering on the LF 6600.

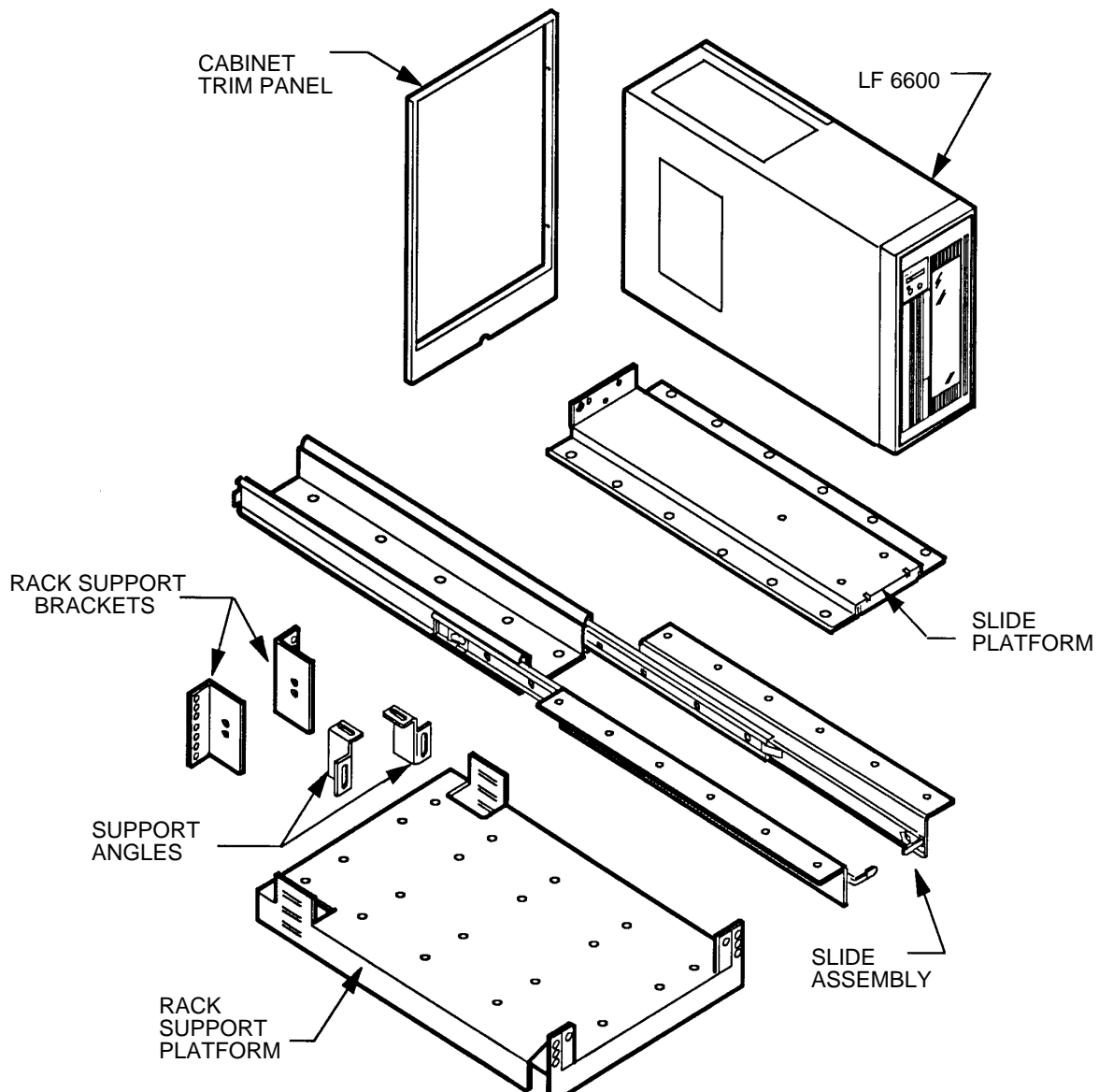
To install the Tower configuration:

- 1) Connect the AC power cord as explained in the Connecting the Power Cord section. (Refer to the Installation and De-installation section for information regarding the AC ground.)
- 2) Connect the host interface SCSI cables and appropriate signal terminators, if required, as explained in the Installation and de-installation section.

RACK MOUNT INSTALLATION

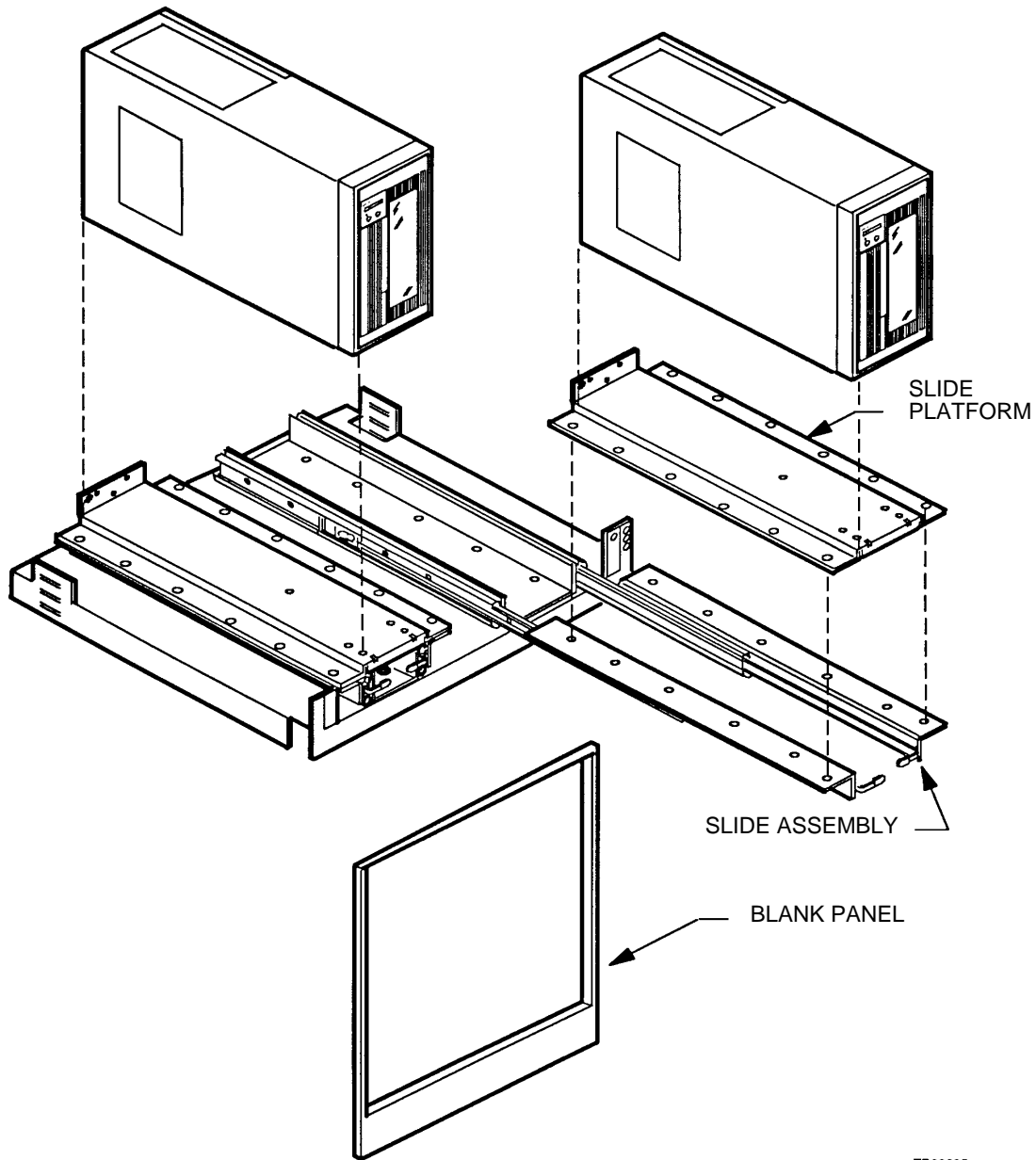
The LF 6600 Rack Mount installation kit (refer to following figure) includes the following items:

- one platform support rack (1st Drive Kit only)
- two rack support brackets (one right and one left)
- one slide assembly
- one slide platform
- one cabinet trim panel (1st Drive Kit only)
- two support angles (one right and one left)
- 34 M4 x 8 screws



LF 6600 Rack Mount Kit

The following figure illustrates how two LF 6600's are installed side-by-side in an EIA standard 19-in. equipment cabinet. The second Drive Rack Mount Kit does not include the platform support rack or the cabinet trim panel.



EP00605

LF 6600 Side-by-Side Rack Mount

Tools required for the Rack Mount installation are a T15 and T20 screwdriver. Prior to installation, make certain that the equipment cabinet is level.

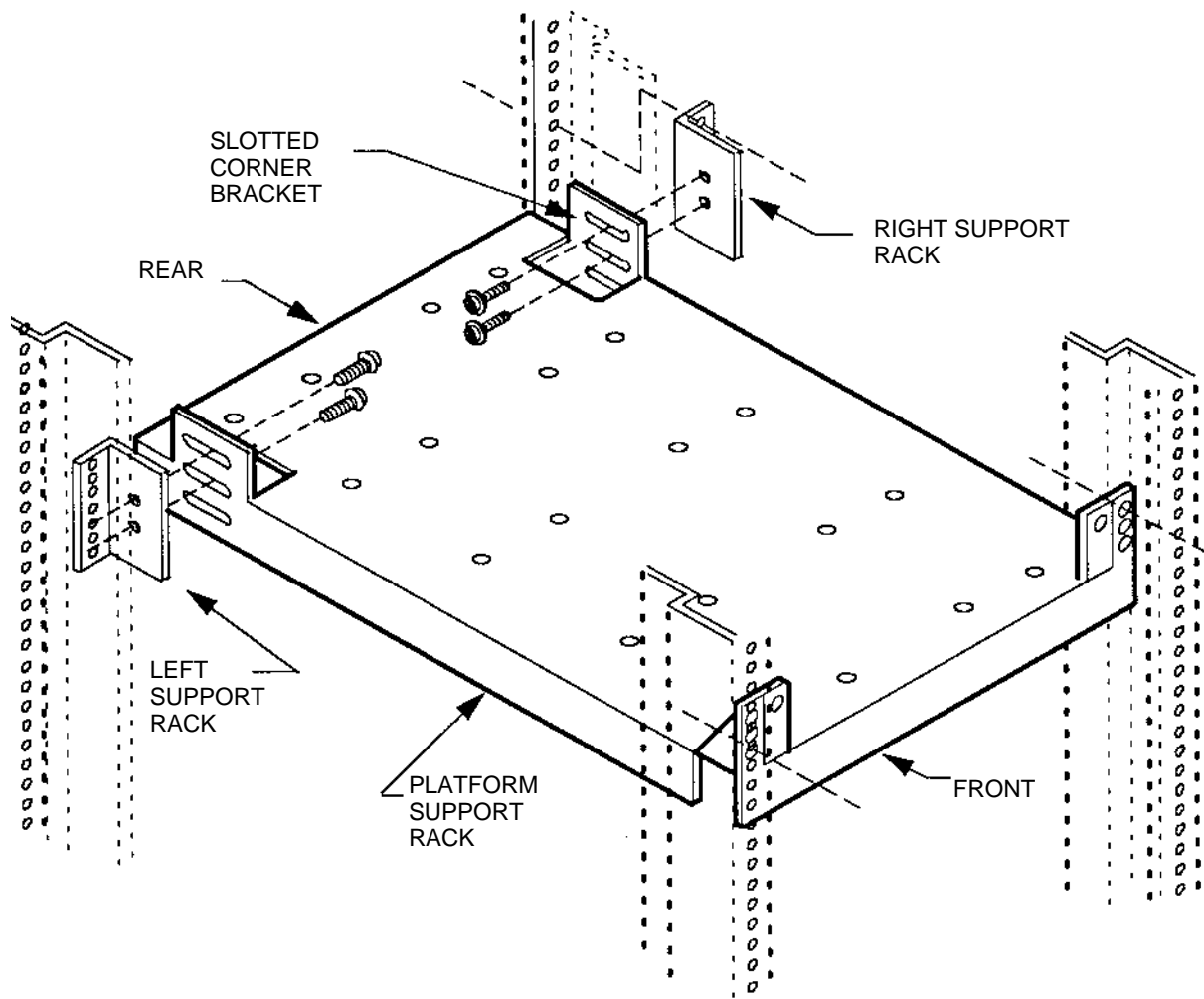
CAUTION



Do not operate the LF 6600 in a position other than vertical (zero degrees tilt).

To install the Rack Mount configuration:

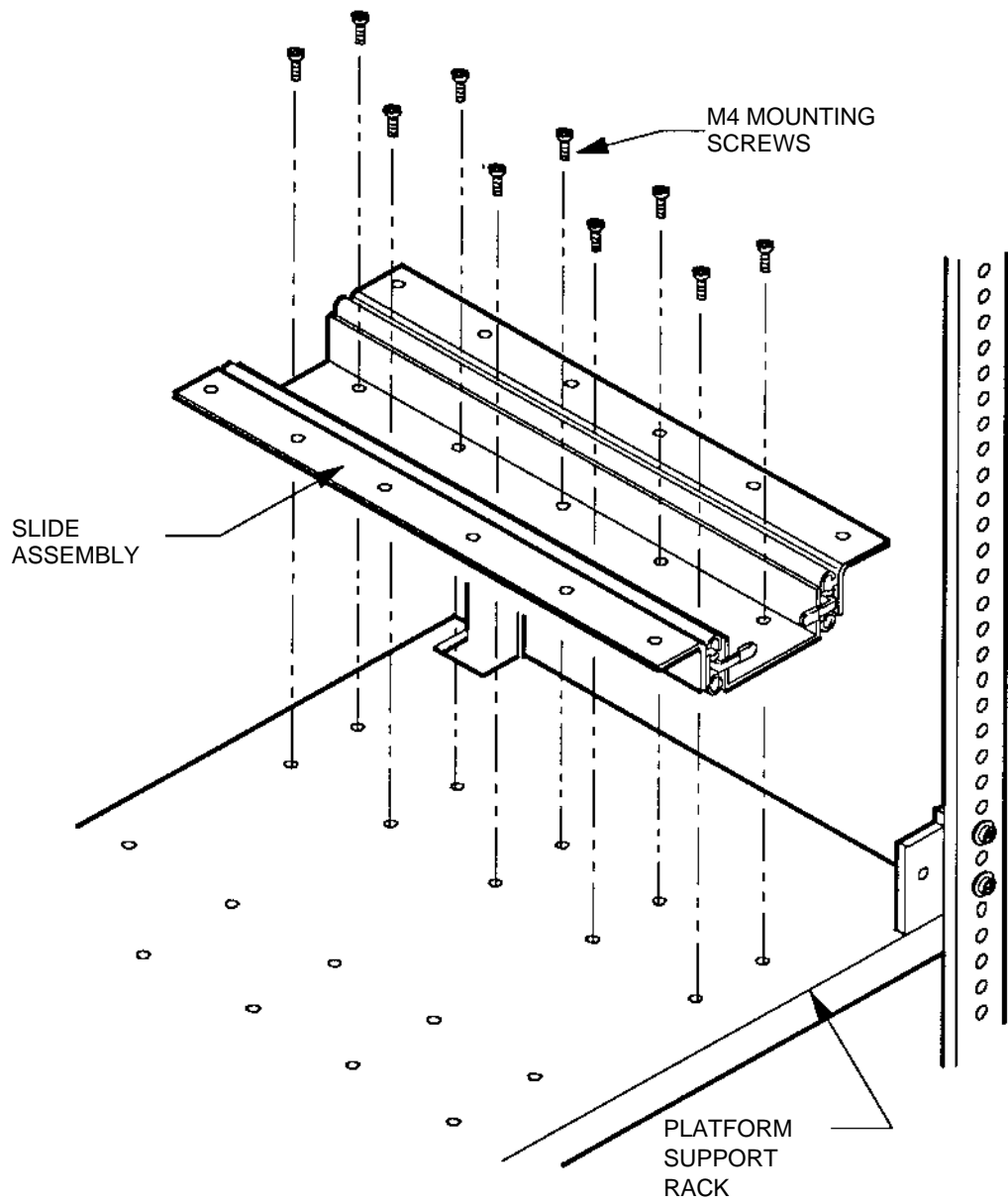
- 1) Install the platform support rack in an EIA standard 19-in. equipment cabinet with 30-in. depth as follows:
 - a.) Loosely secure the left and right Support Brackets to the rear integral slotted brackets on the platform support with two M4 screws each.
 - b.) Place the platform support in the desired vertical location in the cabinet and attach the front of the support directly to the front cabinet rails with four mounting screws (not supplied) which are compatible with your specific cabinet. Tighten securely.
 - c.) Slide the rear Support Brackets forward until they are positioned against the rear face of the rear cabinet rails. Tighten the M4 screws securely. These adjustable brackets allow for the adjustment of rail positions from 30 in. down to 20 in.
 - d.) Secure the Support Brackets to the rear cabinet rails with four mounting screws (not supplied) which are also cabinet-specific. Tighten securely.



EP004606

Mounting the Platform Support Rack

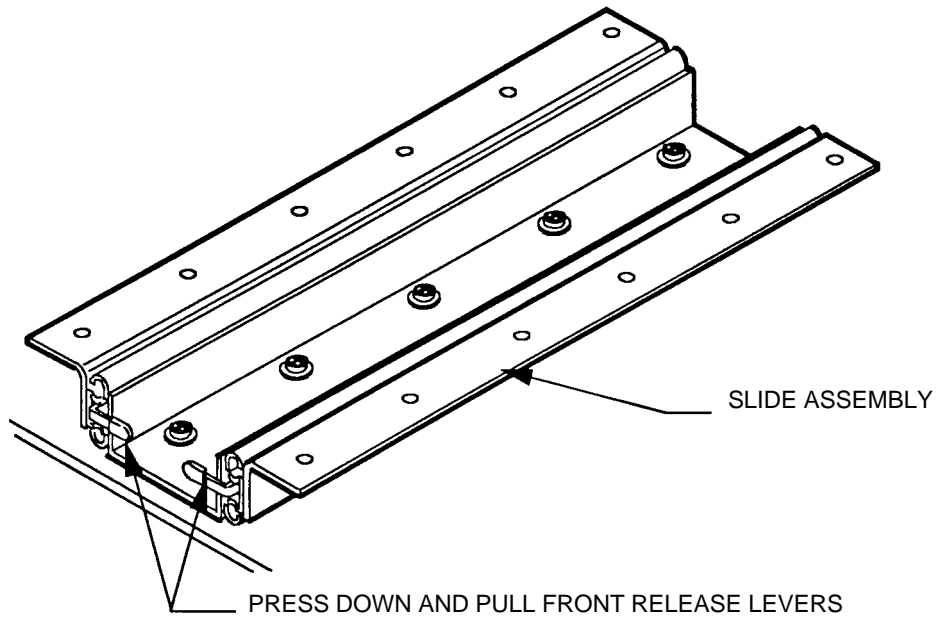
- 2) Install the slide assembly on the mounting platform with ten M4 screws, threaded into the rack as shown in the next figure. The slide assembly has slotted holes for fine side-to-side adjustment. Tighten securely after adjusting for parallelism.



Mounting the Slide Assembly to the Platform Support Rack

EP004608

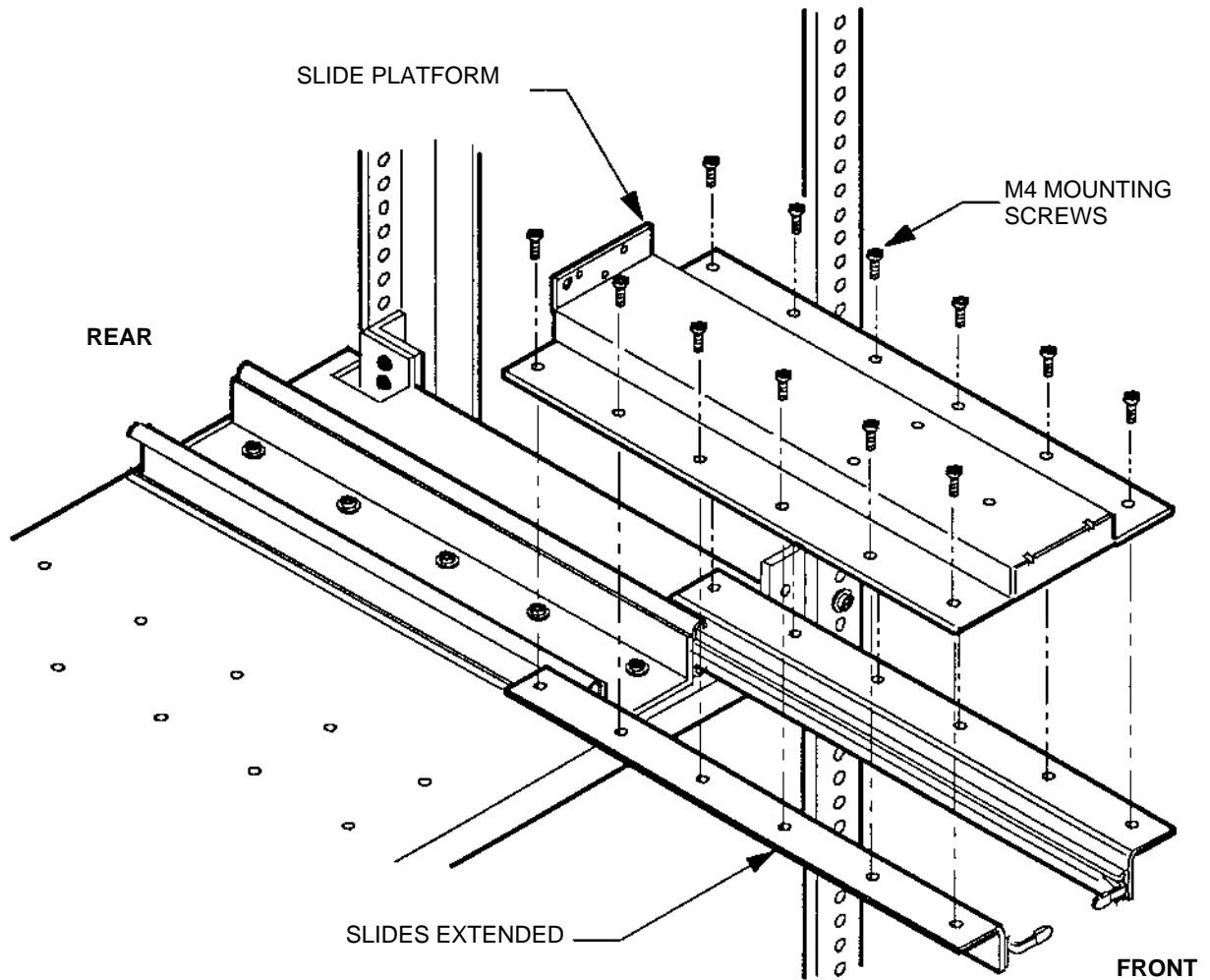
- 3) Press down on the front release levers and pull to release the slide front retention locks. Pull the slide platform all the way out of the cabinet until the extension locks engage at the fully extended position.



Extending the Slide Platform Assembly

EP004624B

- 4) Install the drive mounting platform on top of the slide assembly with twelve M4 screws, threaded into the slide assembly and tightened securely. Be sure that flange of the slide platform is at the rear of the cabinet.



Securing the Platform to the Slide Assembly

EP004607B

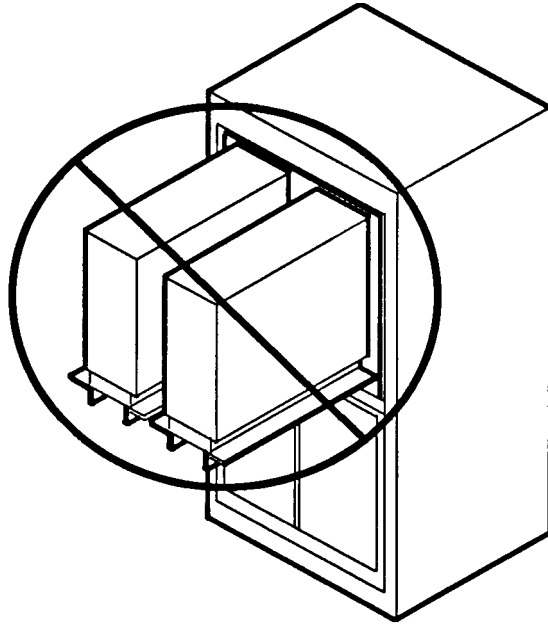
WARNING



The weight of the LF 6600 on the extended platform may cause the equipment cabinet to become unbalanced. Before proceeding, ensure that your cabinet is securely anchored. Do not extend more than one drive at a time.

DO NOT EXTEND MORE THAN ONE DRIVE AT A TIME.

IF BOTH DRIVES ARE EXTENDED AT THE SAME TIME, THE CABINET MAY BECOME UNBALANCED.



Do Not Extend Both Drives Simultaneously

EP004586

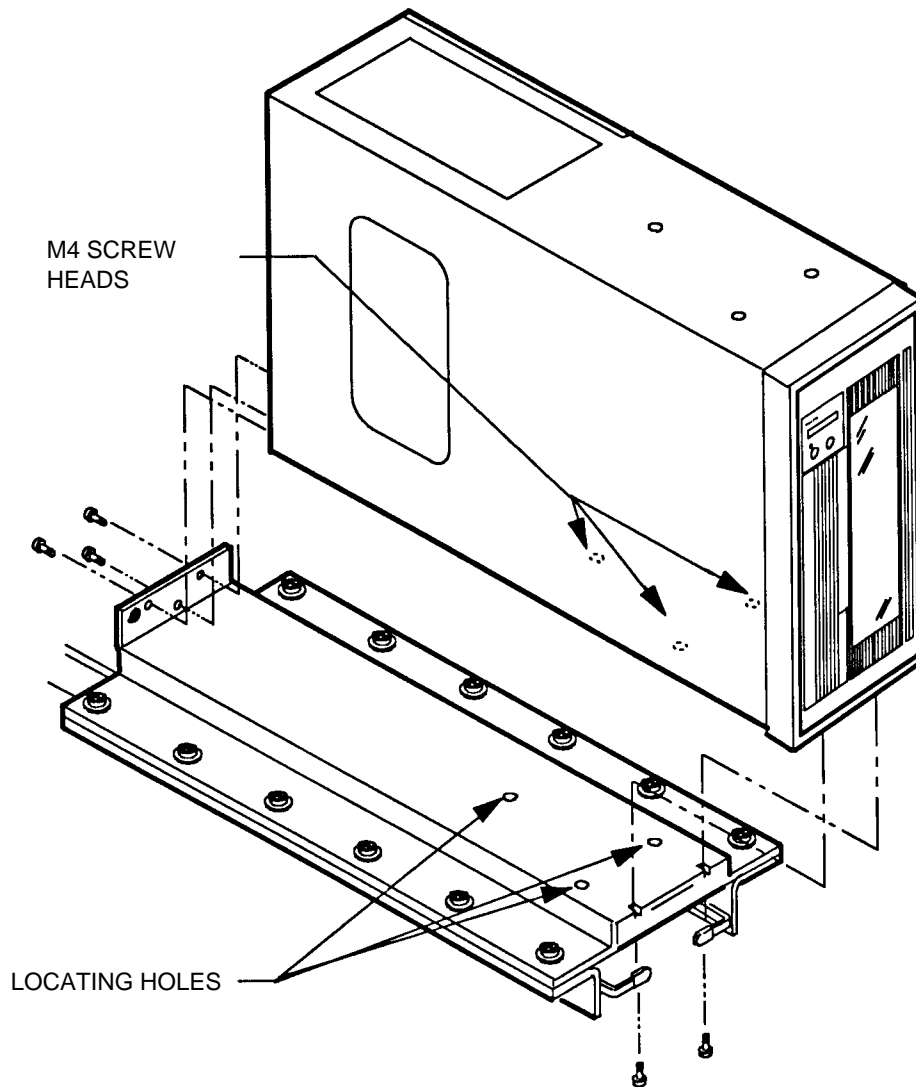
- 5) Lower the LF 6600 chassis onto the extended slide platform assembly, seating the three M4 screw heads on the bottom of the chassis into the three locating holes in the slide platform.

WARNING



The LF 6600 must be moved and lifted by two persons. Physical injury can result if one person attempts to move or lift the LF 6600.

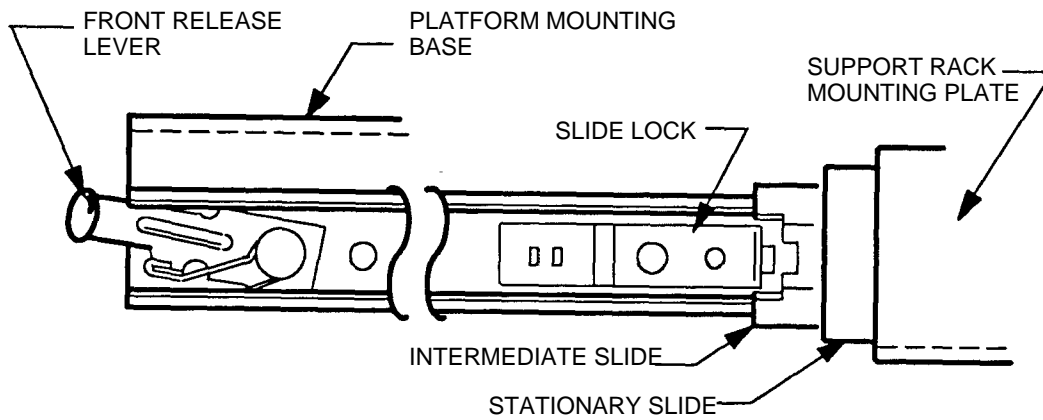
Install and tighten three M4 screws horizontally, through the vertical tail of the slide platform to retain the rear of the drive. Install and tighten two M4 screws up into the bottom of chassis to retain the front of the LF 6600.



Mounting the LF 6600 Chassis to the Extended Platform

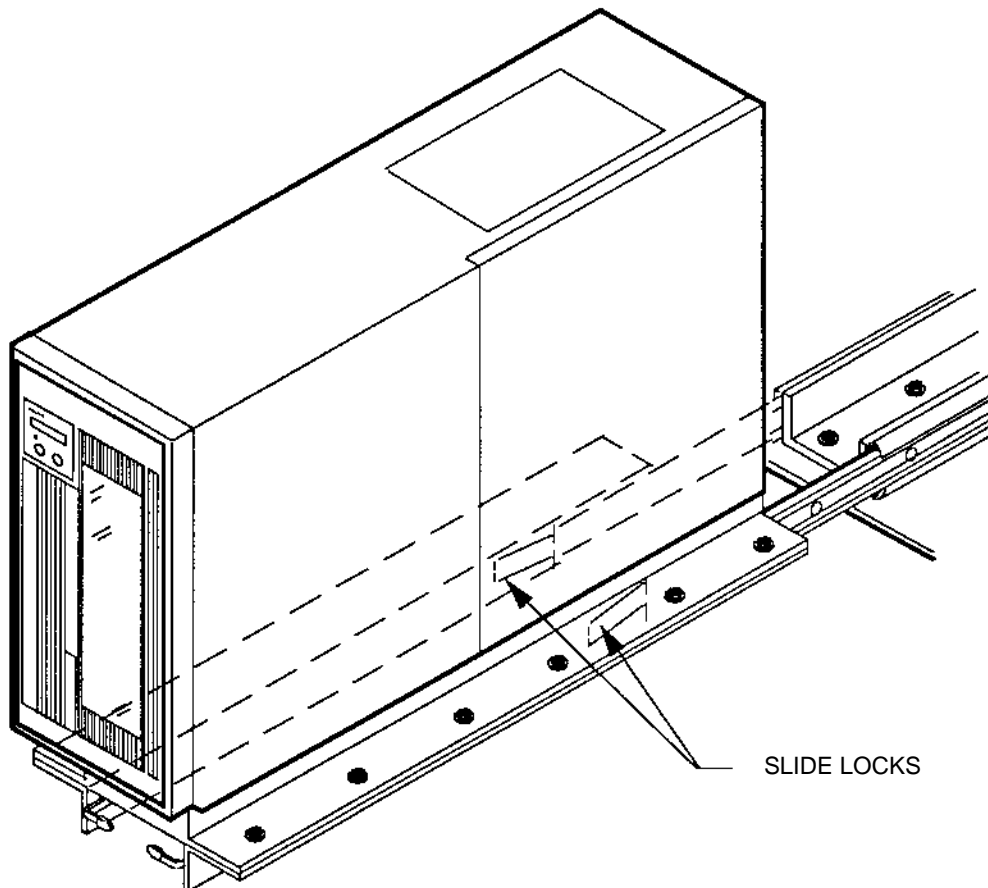
EP006053

- 6) Find the two slide locks located on the outer sides of the extended slide.



LF 6600 Rack Mount Slide Detail (Standard)

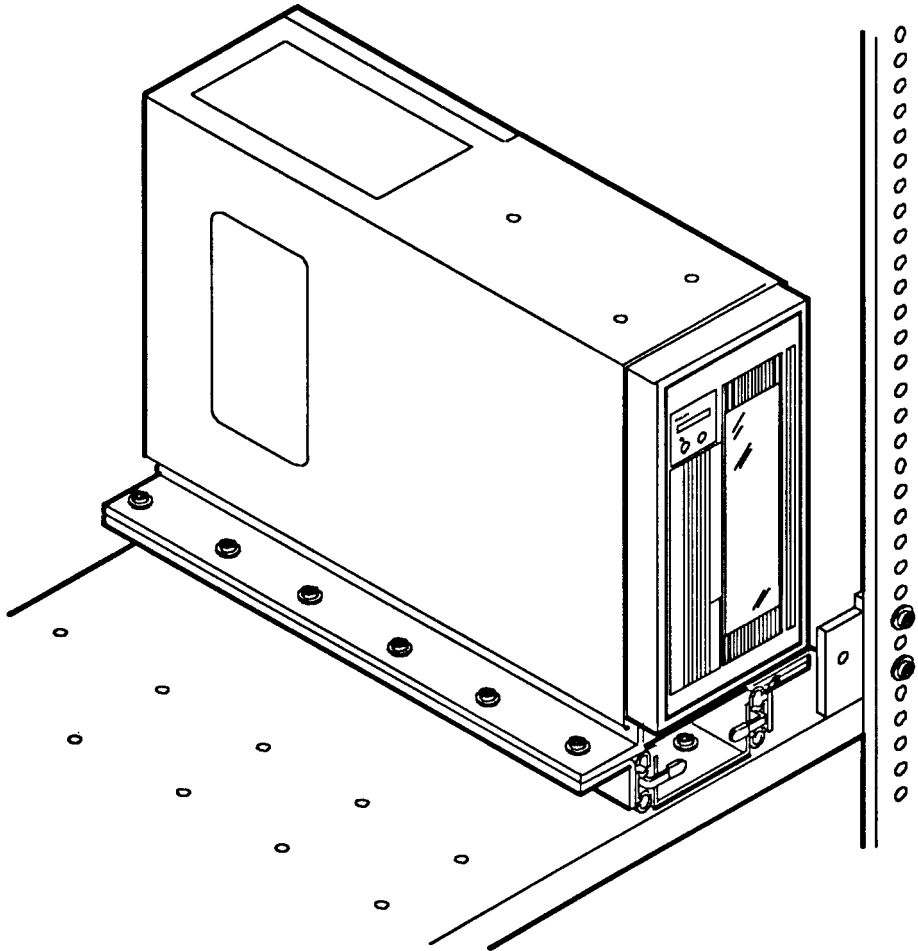
EP004703



Releasing the Slide Assembly Extension Locks

EP006052

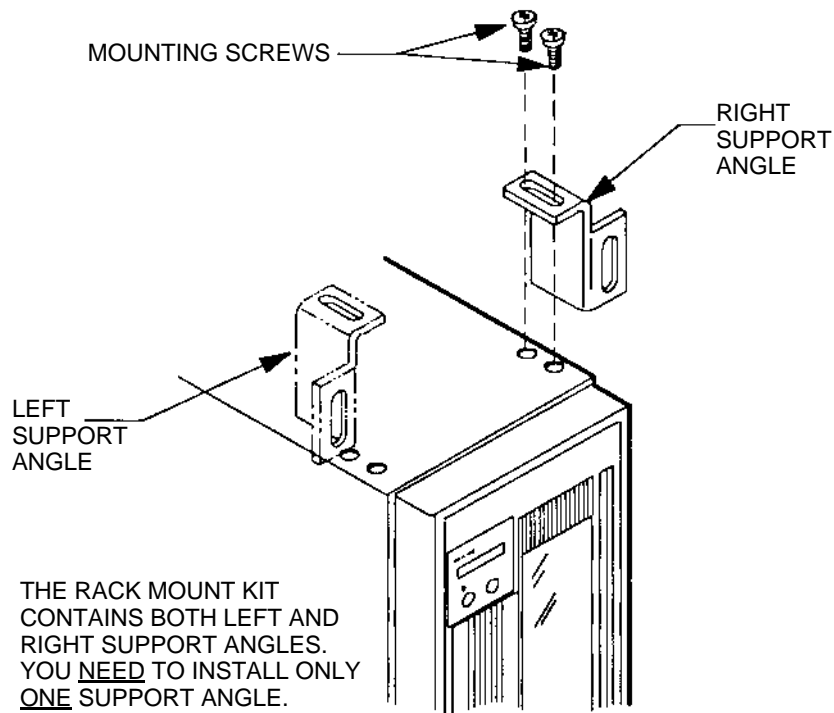
- 7) Press the slide locks in and push the LF 6600 all the way back into the cabinet until the front retention locks engage, holding the drive in position.



Rack Mounted LF 6600 in the Retention Lock Position

EP006055

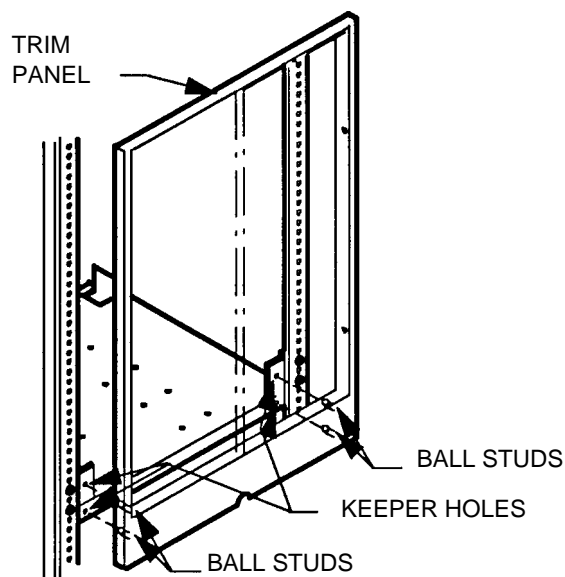
- 8) Install one of the lateral support angles to anchor the chassis to the adjacent cabinet rail. The angle is mounted on the chassis with two M4 screws and attaches to the rail with cabinet-specific screws (not supplied).



Installing the Lateral Support Angle

EP006056

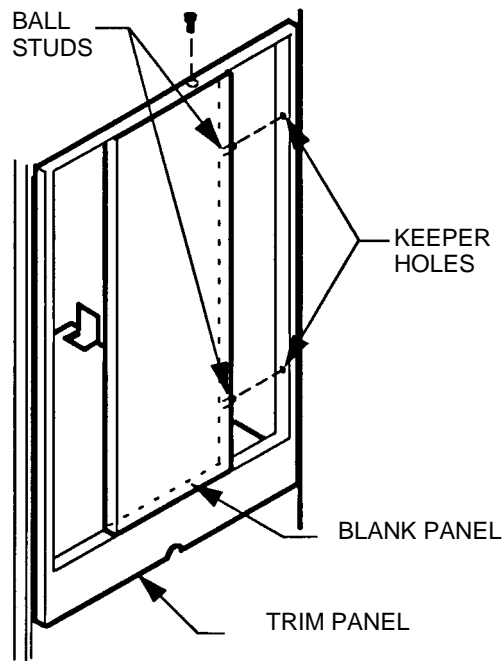
- 9) Install the cabinet trim panel by pressing its ball studs into the keeper holes on the platform support rack.



Installing the Cabinet Trim Panel

EP004612

- 10) If only one LF 6600 is to be installed on the platform support rack, an optional blank panel kit can be ordered to fill the empty space in the trim panel. Install the blank panel by pressing its ball studs horizontally into the trim panel keeper holes. Retain it with the two M4 screws provided in the installation kit.



EP004613

Blank Panel Installation

- 11) Connect the AC power cord and the host interface SCSI cables and signal terminators.

SCSI BUS CONSIDERATIONS

The length of the SCSI interface cables used to interconnect the LF 6600 with other SCSI devices is dictated by the type of SCSI controller installed in each LF 6600. A maximum of seven LF 6600's can be connected to a host computer in a daisy chained configuration using the appropriate SCSI controller and cable options.

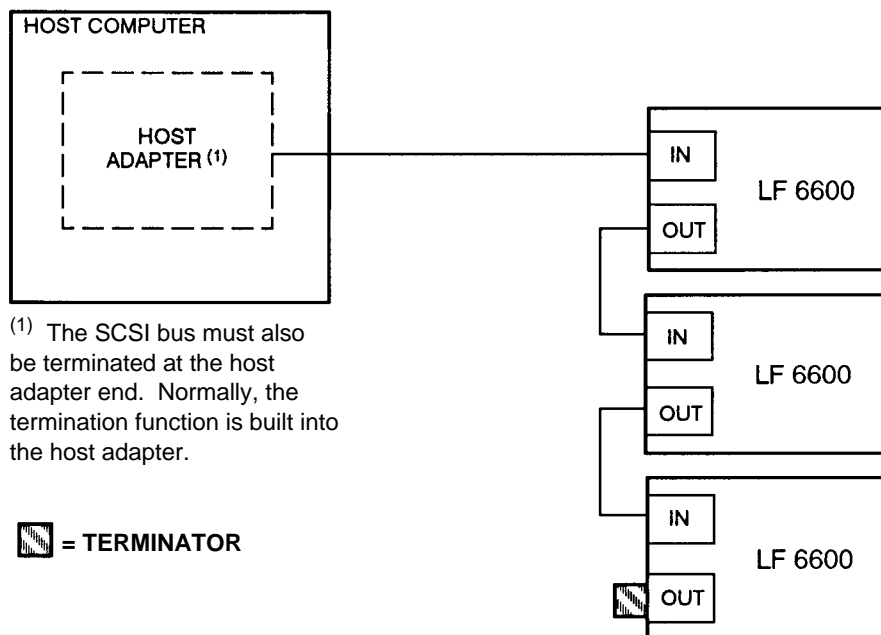
When the single-ended interface controller is used on all SCSI devices, the total length of the SCSI interface cable cannot exceed 6 m (19.5 ft). (Plasmon LMS does not recommend single-ended fast synchronous.) When a differential interface controller is used on all SCSI devices, the total SCSI interface cable length cannot exceed 25 m (82 ft).

NOTE

The internal SCSI cable for each LF 6600 is approximately 120 mm (4.8 in.). This distance must be considered as part of the total SCSI cable length.

No stub connections are permitted.

The SCSI interface cabling used to interconnect an LF 6600 to a host can be daisy chained between SCSI devices as illustrated below. One interface cable is required to interface each pair of SCSI devices.



EP004236

Host-to-LF 6600 Daisy Chain Cable Connections

A terminator must be installed on the vacant connector of the last SCSI device in the SCSI bus chain. The SCSI bus must be terminated externally on the LF 6600 rear panel when an LF 6600 is the last SCSI device on the bus.

NOTE

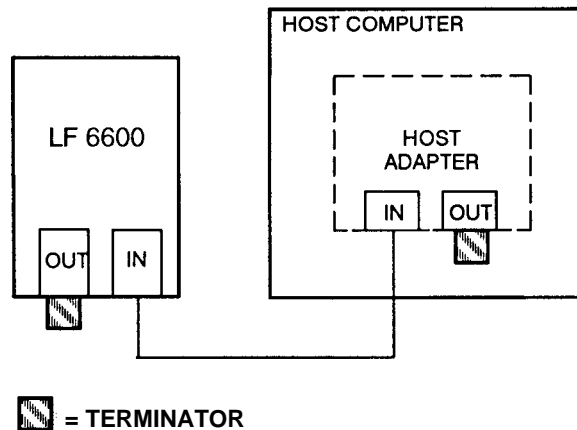
You must first determine the type of termination your host system requires (see the Accessories Section of this Manual).

In a daisy chain configuration, a terminator must be used on both the first and last devices on the bus. One of these devices may be the host adapter. All other LF 6600's between the first and last device in the daisy chain should not be terminated.

NOTE

Installation of both an active single-ended terminator and a passive single-ended terminator on the same bus is not recommended.

If only one LF 6600 is attached to a host, the bus must be terminated at the host adapter and the LF 6600. Normally, the termination function is built into the host adapter. Power for the external terminator is supplied from the LF 6600 and may also be supplied from another device in the SCSI daisy chain. Terminator power for external terminators is provided by the LF 6600 power supply.



LF 6600-to-Host Cable Connection

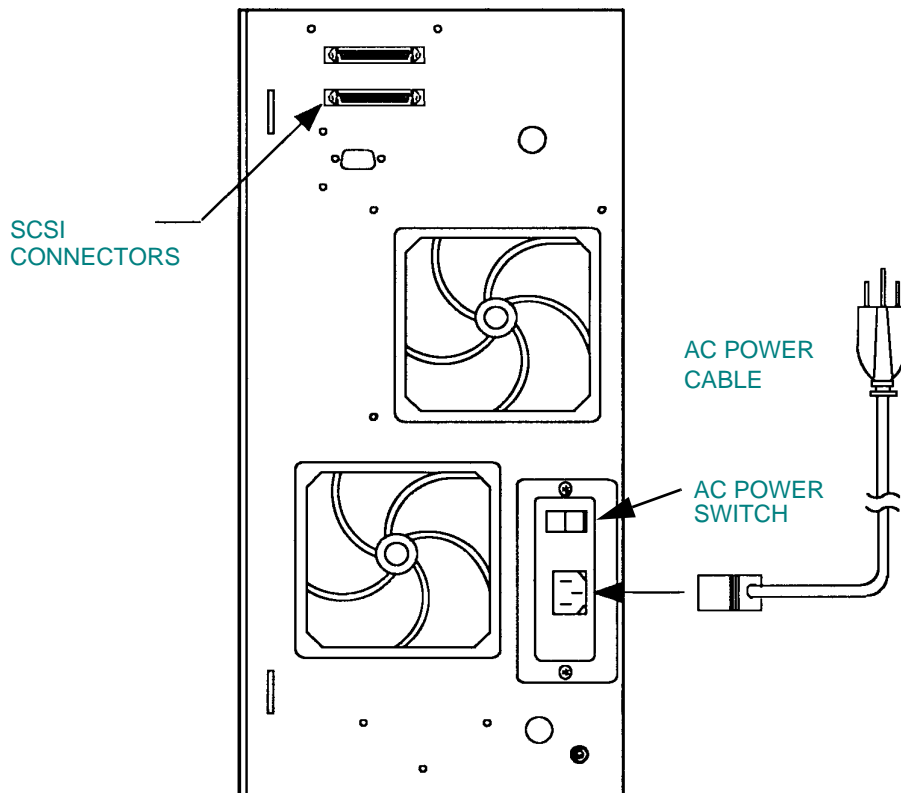
EP004237

Refer to the [Accessories Section](#) of this manual for a list of SCSI bus terminators, cables and their Plasmon LMS part numbers.

CONNECTING POWER AND SCSI CABLES

After the LF 6600 has been installed in its operating location, refer to the next three sections for power cord installation, SCSI cable installation and SCSI cable installation for a single device.

The LF 6600 has two SCSI input/output (I/O) connectors on the rear panel that are used to interface the drive with other SCSI devices (see figure below). Either SCSI connector can be used as the input or output port because the internal controller cable connection is common to both connectors.



Rear Panel of the LF 6600 Showing SCSI Connectors and AC Power Cord

EP006059

CONNECTING THE POWER CORD

To install the power cord on an LF 6600:

- 1) Ensure that an AC power cord is available and ready for installation. The type of AC power cord being installed depends upon the installation location.
- 2) Ensure facility power is available and the AC power cord connector (male end) will match the site AC power wall outlet.
- 3) Ensure that the **AC power switch** on the LF 6600 rear panel is set to the OFF (O) position.
- 4) Plug the AC power cord connector (female end) into the **AC power receptacle** on the LF 6600 rear panel.
- 5) Plug the AC power cord connector (male end) into a wall outlet.

CONNECTING MULTIPLE DEVICES

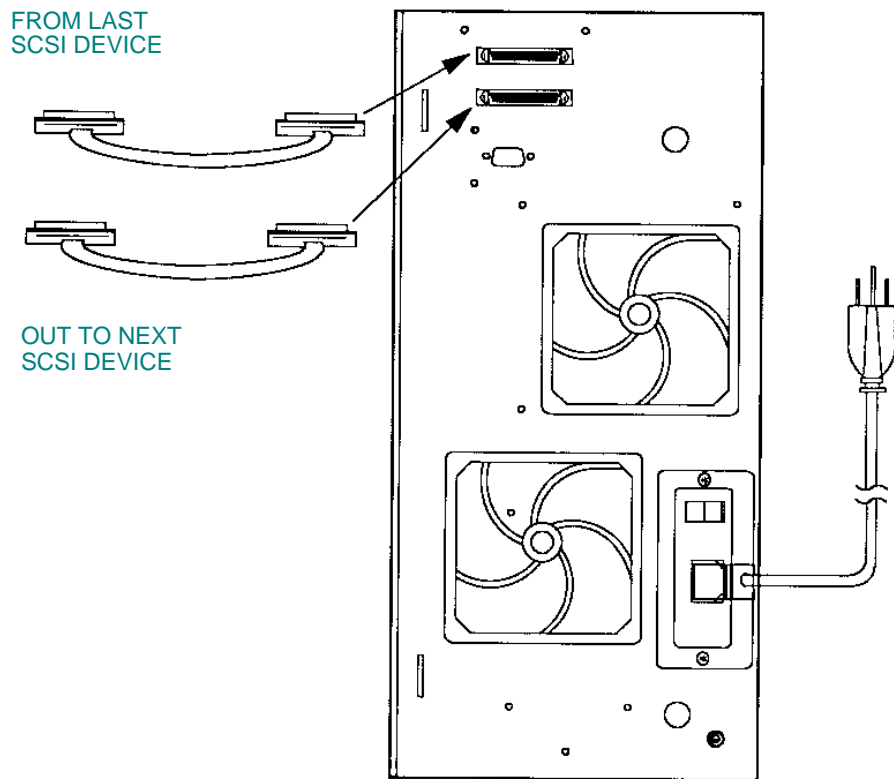
To install SCSI interface cables for a multiple-device configuration:

- 1) Ensure that the SCSI interface cables and a terminator (if required) are available and ready for installation.
- 2) Plug one end of a SCSI interface cable into the vacant SCSI interface connector on the **previous device** in the SCSI chain (see figure below). Plug the other end of the cable into a **SCSI connector**.
- 3) If the LF 6600 is not the last unit in the daisy chain, plug one end of the other cable into the vacant connector on the LF 6600 and then connect the other end of the cable to the **next SCSI device**. Repeat this process until you reach the last SCSI device in the daisy chain.

If the LF 6600 is the last unit in the daisy chain, install a terminator on the LF 6600's vacant SCSI connector.

- 4) Ensure that the SCSI bus is also terminated at the host adapter end.

The SCSI bus must be terminated at both ends in accordance with the LD 6100/LF 6600/LF 6602 SCSI Interface Specification (P/N 97653978).



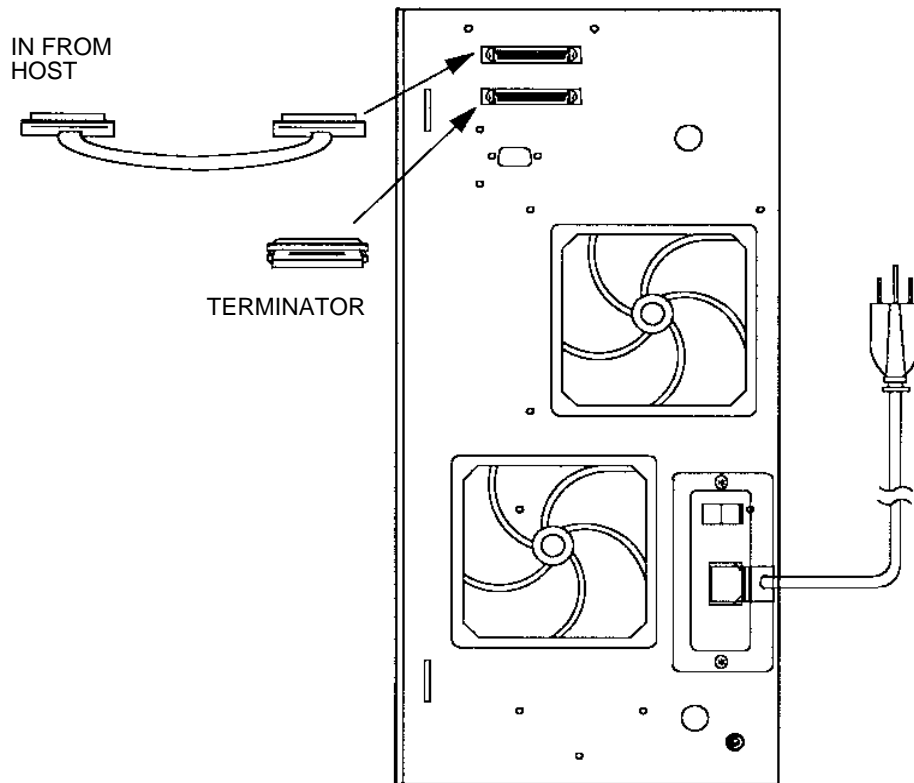
Multiple LF 6600 SCSI Interface Cable Connections

EP006060

CONNECTING A SINGLE DEVICE

To install a SCSI interface cable for a single-device configuration:

- 1) Plug one end of the SCSI interface cable into the vacant SCSI interface connector on the host (see figure below).
- 2) Plug the other end of the interface cable into a SCSI I/O connector on the LF 6600 rear panel.



Single LF 6600 SCSI Interface Cable and Terminator Connection

EP006061

- 3) Install a terminator on the vacant connector of the LF 6600.
- 4) Ensure that the SCSI bus is also terminated at the host adapter end.
- 5) The SCSI bus must be terminated at both ends in accordance with the LD 6100/LF 6600/ LF 6602 SCSI Interface Specification (P/N 97653978).

CONNECTOR VERIFICATION

Prior to powering on the system:

- 1) Verify proper termination at the host adapter, if applicable.
- 2) Verify proper termination at the last LF 6600 on the bus, if applicable.

CAUTION



Ensure that the foam shipping block has been removed from the shuttle assembly before powering on the LF 6600.

Refer to the Operating Instruction section in this manual for [power-on procedures](#).

RACK MOUNT CONFIGURATION DE-INSTALLATION

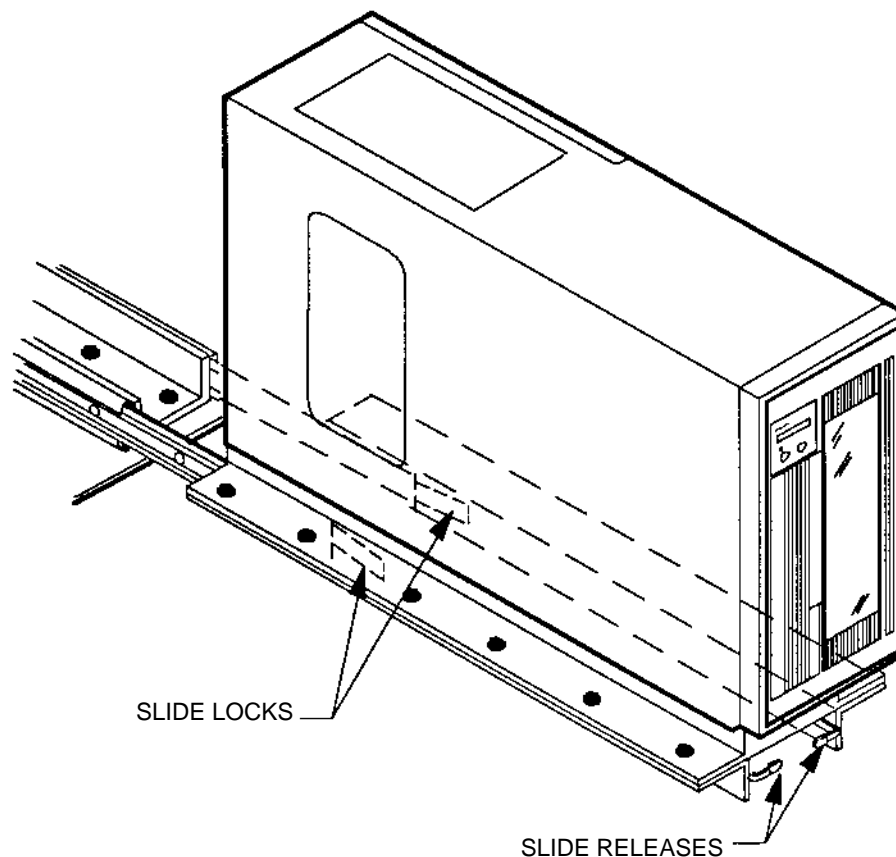
To de-install the LF 6600 Rack Mount configuration:

- 1) Remove the cabinet trim panel by grasping the panel at the top and pulling outwards. This action pries the ball studs from the keeper holes.
- 2) Remove the right or left lateral Support Angle that anchors the Chassis to the adjacent cabinet rail by unfastening the two M4 screws and optional standoffs. Remove other fastening hardware anchoring the Support Angle to the rail.
- 3) Lift the slide releases and pull the LF 6600 all the way out of the cabinet.

WARNING



If two drives have been installed in the rack, ensure that only one drive is extended at a time.



Lift and Pull Slide Releases

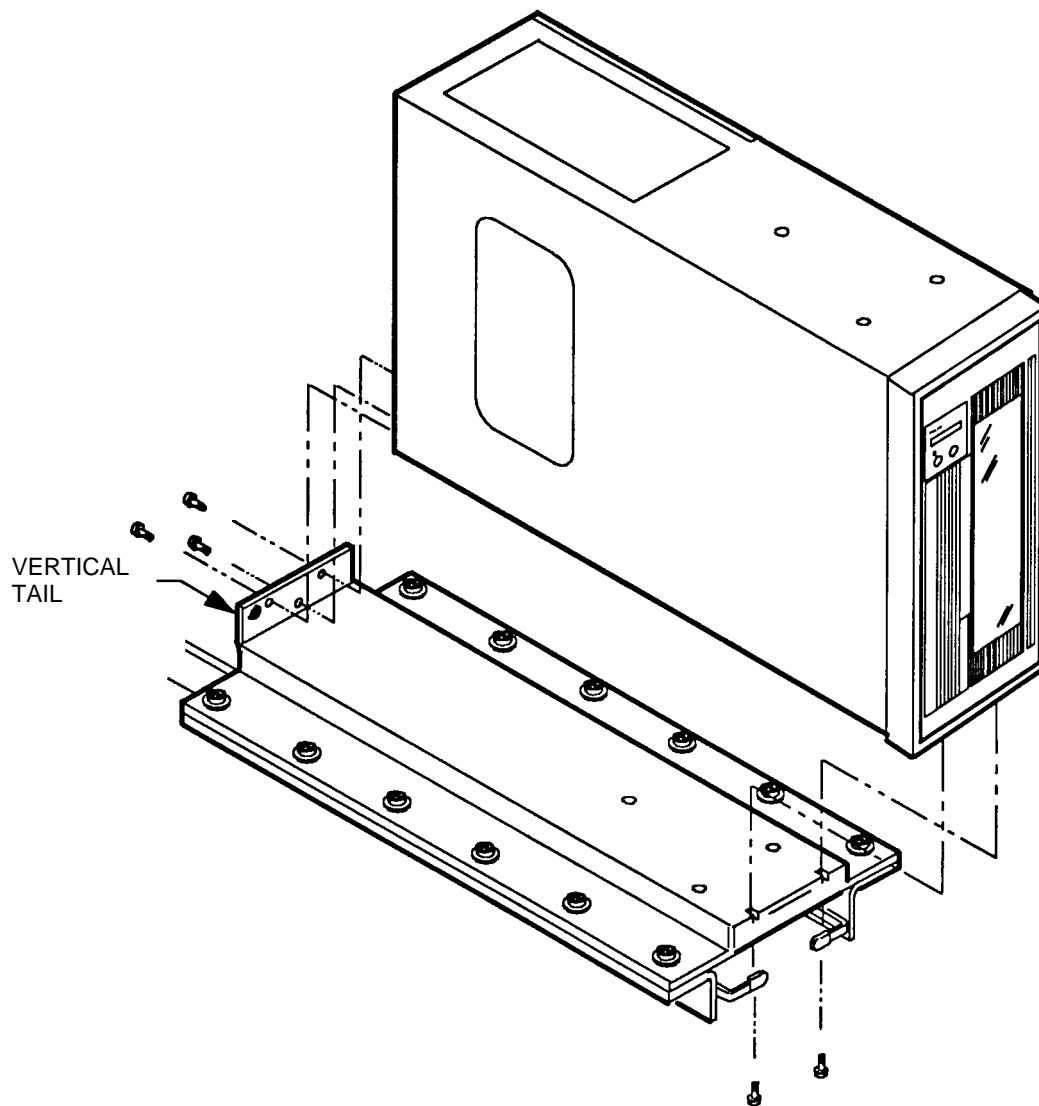
EP006057

- 4) Remove the three M4 X 8 screws from the vertical tail of the slide platform.
- 5) Remove the two M4 X 8 screws from behind the bezel assembly.
- 6) With the assistance of a second person, remove the LF 6600 from the extended slide platform.

WARNING



The LF 6600 must be moved and lifted by two persons. Physical injury can result if one person attempts to move or lift the LF 6600.



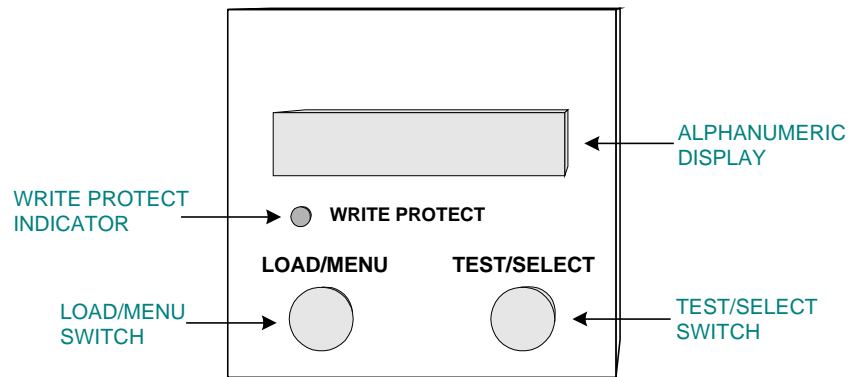
Mounting the LF 6600 Chassis to the Extended Platform

EP006054

OPERATING INSTRUCTIONS

CONTROLS AND INDICATORS

The Drive Operator Console (DOC) shown in the figure below, is located on the front panel of the LF 6600. The DOC provides the controls and indicators that enable a user to operate the LF 6600. The DOC controls and indicators consist of an alphanumeric display, a LOAD/MENU switch, a TEST/SELECT switch, and a WRITE PROTECT indicator. Refer to the table below for a description of the DOC controls and indicator.



Drive Operator Console

NOTE

Throughout this section, display messages are shown in English, the default language. However, Operating mode messages can appear in French or German. Configuration messages will always appear in English.

DOC Controls and Indicators

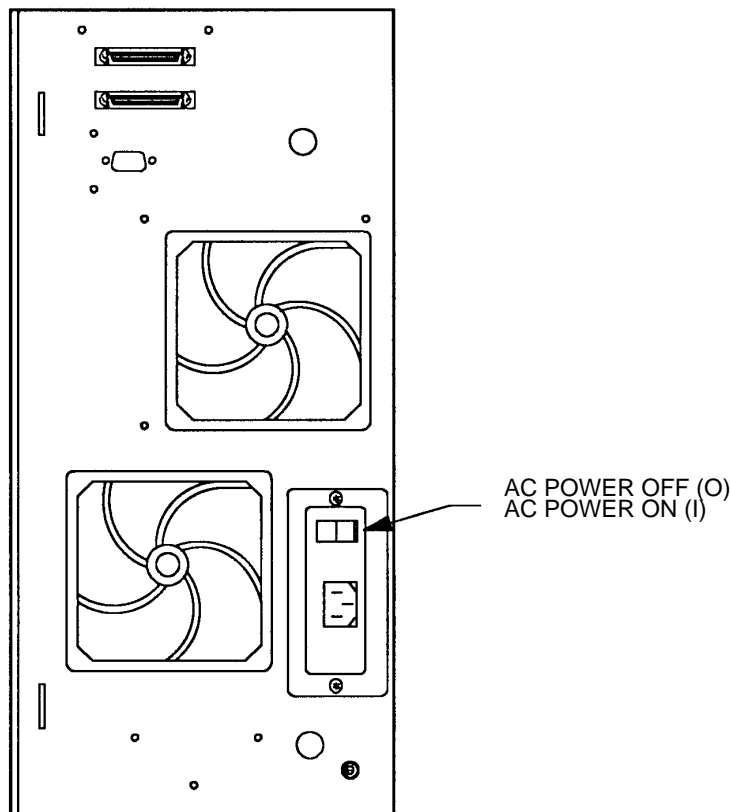
CONTROL/ INDICATOR	TYPE	PURPOSE/FUNCTION
Alphanumeric Display	12 - Character Dot Matrix	Displays operating, configuration and test status messages.
LOAD/MENU Switch	Dual Function Push - Button Switch	In operating mode, the LOAD/MENU switch controls the loading and unloading of media cartridges. In Configuration mode, the LOAD/MENU switch steps through the menu of configurable parameters.
TEST/SELECT Switch	Dual Function Push - Button Switch	In operating mode, the TEST/SELECT switch invokes the diagnostic selftest. In Configuration mode, the TEST/SELECT switch scrolls through the options available for each configurable parameter.
WRITE PROTECT Indicator	Light Emitting Diode	The WRITE PROTECT indicator illuminates when either the Write Protect (WRT PROT) configuration option is enabled or a media cartridge WRITE PROTECT switch is locked (write disabled). The WRITE PROTECT indicator will flash when an RTPM condition occurs. Also, the WRITE PROTECT indicator will flash when the drive or the media is in a read only condition.

POWER-ON PROCEDURE

The LF 6600 is powered on with the AC Power Switch located on the rear panel. The ON position is indicated by a (I) and the OFF position is indicated by a (O) as illustrated below.

NOTE

After you turn the drive's power off, wait 1 sec before turning the power on again.



LF 6600 AC Power Switch Positions

EP006036

Perform the following procedure to power on the LF 6600:

- 1) Ensure that the LF 6600 is properly connected (see SCSI Bus Considerations sections).
- 2) Refer to the Media Insertion and Removal section and insert a cartridge into slot 1. If slot 1 is empty, the LF 6600 will display "1 Empty" on the DOC shortly after initial power on.

NOTE

Slot 1 is the factory setting for the media autoloader configuration option.

If this option has been changed by the user, all references to slot 1 in this manual apply instead to the slot number selected in the autoloader configuration option.

Refer to the Configuration Mode section for more information on setting configuration options.

- 3) Set the AC Power Switch to the ON (I) position and verify that air is flowing through the LF 6600.
- 4) Verify that the WRITE PROTECT indicator is illuminated briefly.
- 5) Verify that the "Selftest" message is displayed on the DOC.

The "Selftest" message indicates that the power-on selftests are running. When the power-on selftests have run without errors, the drive will perform a test to determine which slots in the shuttle are occupied by media cartridges and then will load media number 1.

When the "1 Ready" message is displayed, the LF 6600 has passed the power-on selftests and has successfully loaded the LM 6000 media cartridge in slot 1.

- 6) Verify that the "Selftest" message displayed on the DOC is replaced by the "1 Ready" message.
- 7) Refer to the Modes of Operation section of this manual to familiarize yourself with the LF 6600 modes of operation.

The LF 6600 is now in the normal Operating mode, and is ready to be controlled and accessed by a host system.

MODES OF OPERATION

The LF 6600 has three modes of operation that are selectable from the DOC:

- Operating Mode
- Configuration Mode
- Test Mode

In Operating mode the host system can read and write data, and select and load media cartridges. In Configuration mode an operator can view a menu of parameters and select options for each parameter. Test mode invokes drive diagnostics to verify proper drive operation.

OPERATING MODE

The LF 6600 enters the Operating mode after being powered on and displays the "# Ready" message on the DOC. The DOC will display the appropriate messages listed in the next table during normal operation. To enter Operating mode if the drive is in Test mode, wait until the tests are completed and then press the LOAD/MENU switch. To enter Operating mode if the drive is in Configuration mode, press the LOAD/MENU and the TEST/SELECT switches simultaneously.

NOTE

The pound symbol #, shown in the table below, designates the slot number.

LF 6600 DOC Operating Mode Messages

OPERATING CONDITION	DOC DISPLAY (ENGLISH)	DOC DISPLAY (FRENCH)	DOC DISPLAY (GERMAN)
Inserting Cartridge #	Inserting #	Insere#	Einfügend
Loading Media #	Loading #	Charger #	Ladend #
Drive Ready (Cartridge # not Locked ⁽¹⁾)	# Ready	# Prêt	# Bereit
Drive Ready (Cartridge # Locked ¹)	Locked	Verrouillé	Gesperrt
Drive Reading Cartridge #	Reading #	Lecture #	Lesend #
Drive Writing Cartridge #	Writing #	Eriture #	Schreibend #
Unload Cartridge #	Unlodng #	Decharge #	Entladend #
Removing Cartridge	Removing #	Retir Disk #	Entfernend #
Moving to Cartridge #	Moving to #	Deplace #	Gehe Zu #
Cartridge # Positioned	# Positioned	Positione #	# In Pos
Shuttle in Home Position	Home	Origine	Ruheposition
Drive is in Rest	SCSI reset	SCSI Reinit	SCSI Reinit
Illegal Request (Spindown Disabled/ Door Locked)	Denied	Refuse	Abgelehnt
Drive is Testing Itself	Selftest	Autotest	Selbsttest
Drive is Scanning Media #	Scanning #	Scanning #	Media Prüf #
Insert Cartridge #	# Inserted	# Insere	# Eingelert
Shuttle is being Initialized	Init Shuttle	Init Shuttle	Shuttle Init
Slot # in Shuttle is Empty	# Empty	# Vide	# Leer
Door is Open	Door Open	Porte Ouvert	Türe Offen
Shuttle Moving to Home Position	Move to Home	Depl Origine	Zur Ruhepos

1 "Locked" means that the host has issued a PREVENT MEDIA REMOVAL command.

CONFIGURATION MODE

Configuration mode is used to view and set drive operating parameters. The parameters that can be configured and displayed are summarized in the following (the corresponding DOC display is shown in parentheses).

Viewing the configuration ("View Config")

- View the current operating parameters ("View Current")
- View the firmware revisions of the drive ("View FW Revs")
- View the hardware revisions of the drive ("View HW S/Ns")
- View the hardware part numbers of the drive ("View HW P/Ns")

Setting the configuration of the operating parameters ("Set Config")

- Set all parameters to the default value ("Set Defaults")
- Set device SCSI identification number 0 through 7 ("SCSI ID:")
- Enable or disable parity checking ("Parity:")
- Set language option to English, French or German ("Language:")
- Enable or disable write protect option ("Wrt Prot:")
- Enable or disable media AutoLoad option ("AutoLoad:")
- Enable or disable load switch option ("Load SW:")
- Enable or disable read ahead ("Rd Ahead:")
- Enable or disable Controller Detected Error blink option ("CDE Curs:")
- Enable or disable Busy option ("Busy")
- Enable or disable Mode Select Read Ahead ("ModSel RA")
- Enable or disable Media Management Spin Up ("MM SpinUp")

Viewing diagnostic results or performing diagnostic operations ("Diagnostics")

- Park the drive in preparation for shipment ("Park Drive")
- Display the state of the drive sensors ("Test Sensors")
- Clear the drive initialization variables in nonvolatile memory ("Clear NvRAM")
- Allow Shuttle Calibration ("Cal Shuttle")
- Display controller detected error information ("View CDEs")
- Enable or disable system event logging ("Sys Log:")
- Set the extent of internal diagnostic test coverage ("Test Thru:")
- View Real Time Performance Monitor ("View RTPM")
- Clear RTPM error ("Clear RTPM")
- Initialize DPC ("Init DPC")

Set the internal drive serial number ("Set Serial #")

Configuration mode can be entered when the "Ready" message is displayed on the DOC. To enter the Configuration mode:

- 1) Press both the LOAD/MENU and TEST/SELECT switches simultaneously.
- 2) Verify that "View Config" is displayed.

Entry to Configuration mode starts with a Main menu, allowing the user to select one of four submenus. The **Main Menu** includes the following submenu options:

- "View Config"** This is the entry point into the Configuration menu. Press the SELECT switch to enter a submenu allowing the user to view the drive operating parameters, firmware revisions and hardware serial numbers. Press the MENU switch to select the next option in the Main menu.
- "Set Config"** Press the SELECT switch to enter a submenu allowing the user to select and set the drive operating parameters. Press the MENU switch to select the next option in the Main menu.
- "Diagnostics"** Press the SELECT switch to enter a submenu allowing the user to display diagnostic parameters or perform diagnostic operations. Diagnostics includes the "Park Drive" option to prepare the drive for shipping. Press the MENU switch to select the next option in the Main menu.
- "Set Serial #"** Press the SELECT switch to enter a submenu allowing the user to set the drive serial number. Press the MENU switch to select the next option in the Main menu, which will wrap back to the entry point of Configuration mode and display "View Config".

NOTE

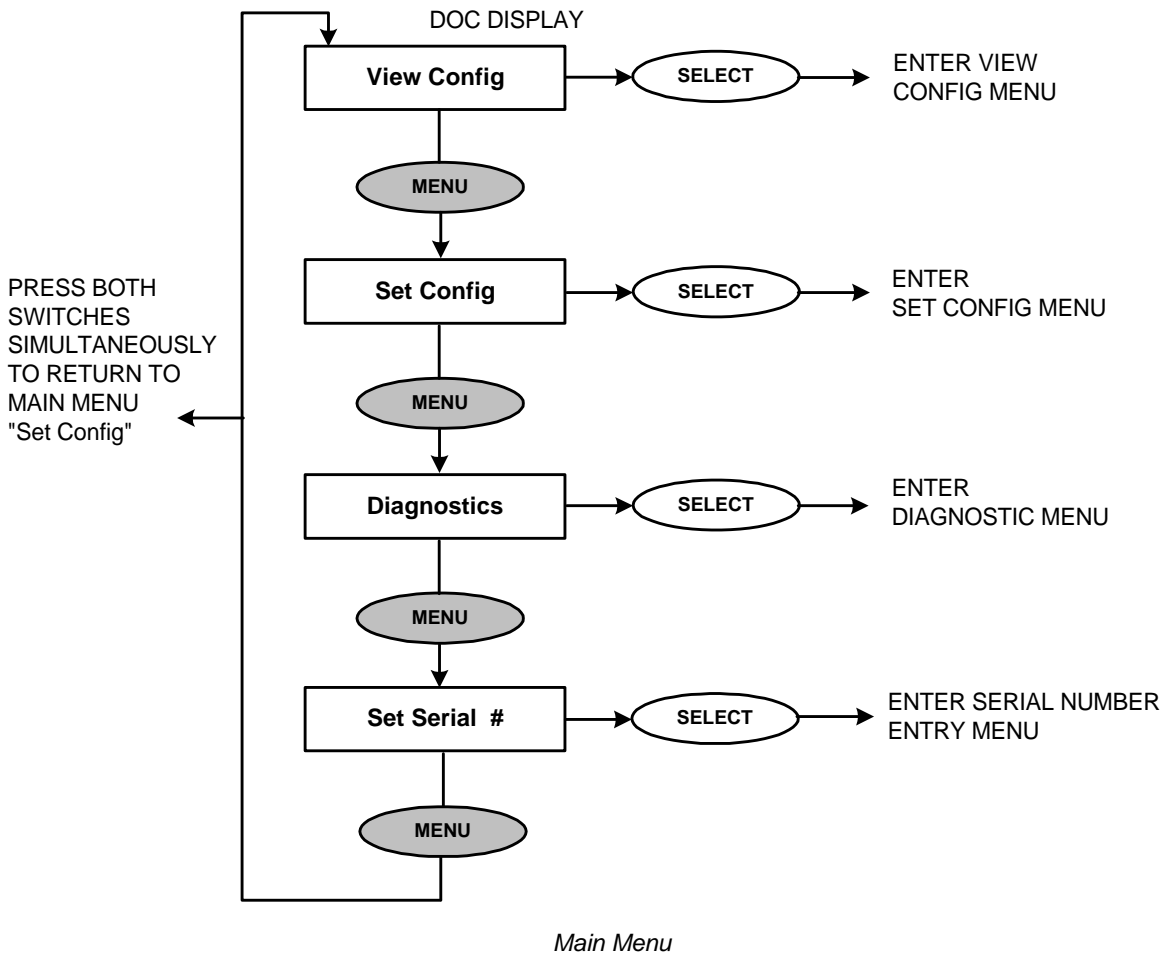
The serial number set in the drive must correspond to the last 5 digits of the drive's actual serial number for accurate internal event logging to occur. The drive's actual serial number is written on the back of the drive enclosure.

A structure diagram for the Main menu is shown in the next figure.

To move up a level in the Configuration menu hierarchy, press the LOAD/MENU and TEST/SELECT switches simultaneously.

To exit the Configuration mode, press the LOAD/MENU and TEST/SELECT switches simultaneously from the Main menu. The display will show the message which appeared prior to the drive entering the Configuration mode.

The "Ready" message is displayed when a media cartridge is loaded on the drive spindle.



VIEWING THE CONFIGURATION ("VIEW CONFIG")

To view the configuration, press the TEST/SELECT switch while "View Config" is displayed in the Main menu. The drive will enter the View Configuration menu which includes the following options:

- "View Current"** Press the SELECT switch to display the current drive operating parameters. The operating parameters are listed in the table below. Press the MENU switch to select the next option in the View Configuration menu.
- "View FW Revs"** Press the SELECT switch to display the drive firmware revisions. These include firmware revisions for the DPC, Rws A, and Rws B and Woodi. Press the MENU switch to select the next option in the View Configuration menu.
- "View HW S/Ns"** Press the SELECT switch to display the serial numbers. These include serial numbers for the Drv SN, Woodi, Rws A, Rws B, Oma A, Oma B, and Dpc. Press the MENU switch to select the next option in the View Configuration menu.
- "View HW P/Ns"** Press the SELECT switch to display the hardware part numbers. These include part numbers for Woodi, Rws A, Rws B and Dpc. Press the MENU switch to select the next option in the View Configuration menu.

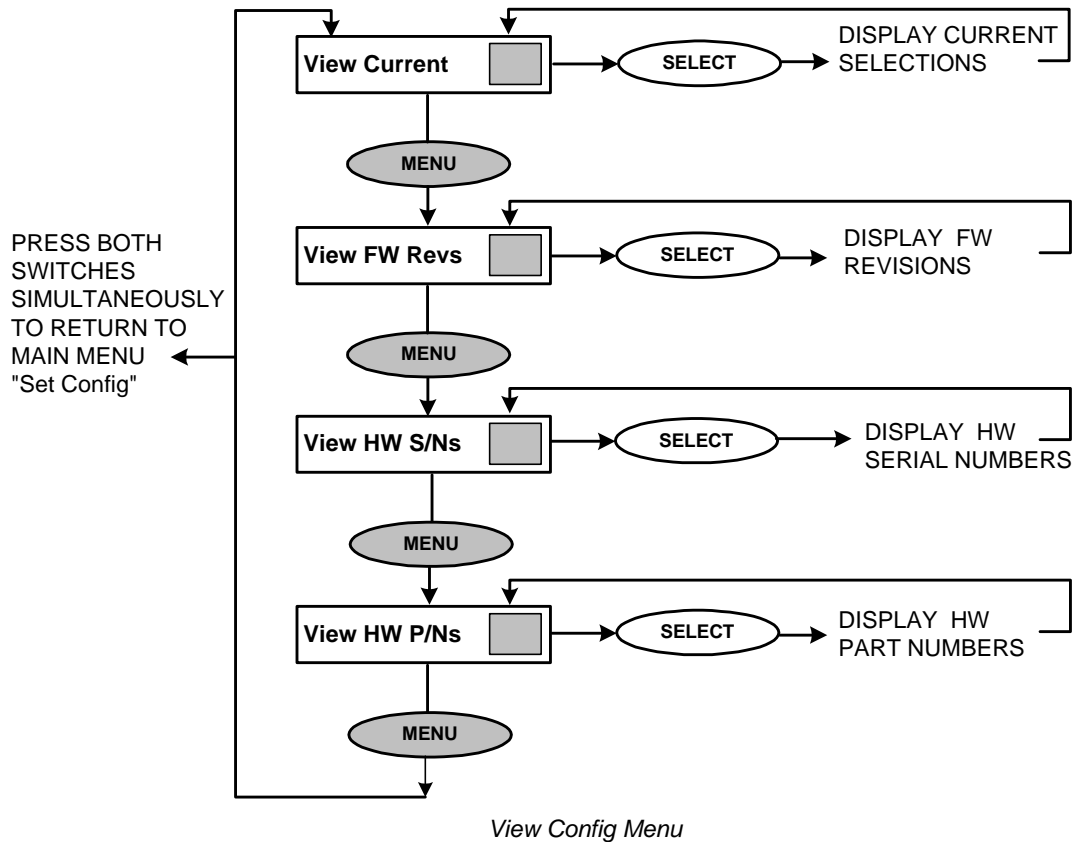
View Configuration Messages

OPTION NAME	CURRENT SETTING	DEFAULT FACTORY SETTING
SCSI ID:	# 0 - 7	0
Parity:	On of Off	On
Language:	Eng, Frh or Grm	Eng
Wrt Prot:	On of Off	Off
Auto Load:	Slot 1 - 6 or MRU	1
Load SW:	On or Off	On
Rd Ahead:	On or Off	Off
CDE Curs:	On or Off	Off
Busy	On or Off	On
ModSel RA	On or Off	On
MM SpinUp	On or Off	On

A structure diagram for the View Configuration menu is shown in the next figure.

To move up a level in the Configuration menu hierarchy to the Main menu, press the LOAD/MENU and TEST/SELECT switches simultaneously.

To exit the Configuration mode, press the LOAD/MENU and TEST/SELECT switches simultaneously from the Main menu. The display will show the message which appeared prior to the drive entering the Configuration mode.



SETTING THE CONFIGURATION OF THE OPERATING PARAMETERS ("SET CONFIG")

To enter the mode to set the drive configuration, press the TEST/SELECT switch while "Set Config" is displayed in the Main menu. The drive will enter the Set Configuration menu which includes the following options:

- | | |
|-----------------------|---|
| "Set Defaults" | Press the SELECT switch to set all drive operating parameters to the factory defaults. Press the MENU switch to select the next option in the Set Configuration menu. |
| "SCSI ID:" | Press the SELECT switch to scroll through the possible SCSI ID values (0,1,2,3,4,5,6,7). When the desired ID value is displayed, press the MENU switch to enter that value as the SCSI ID and select the next option in the Set Configuration menu. |
| "Parity:" | Press the SELECT switch to turn parity checking on or off. SCSI bus parity generation is always enabled but SCSI bus parity checking by the drive may be turned on or off. When the desired state (on or off) is displayed, press the MENU switch to enter that state for parity checking and select the next option in the Set Configuration menu. |
| "Language:" | Press the SELECT switch to scroll through the language options (Eng = English, Frh = French, Grm = German) for the DOC operating messages. When the desired language option is displayed, press the MENU switch to enter that option and select the next option in the Set Configuration menu. |
| "Wrt Prot:" | Press the SELECT switch to turn write protect on or off. When the desired state (on or off) is displayed, press the MENU switch to enter that state for write protect and select the next option in the Set Configuration menu. |
| "AutoLoad:" | Press the SELECT switch to scroll through the Auto Load options. The drive can be configured to load the cartridge residing in a specific slot (1,2,3,4,5,6) or the Most Recently Used (MRU) cartridge. When the desired option (1,2,3,4,5,6,MRU) is displayed, press the MENU switch to enable that option and select the next option in the Set Configuration menu. |
| "Load SW:" | Press the SELECT switch to enable or disable the LOAD switch on the DOC. When the desired state (on or off) is displayed, press the MENU switch to enter that state for load switch and select the next option in the Set Configuration menu. |
| "Rd Ahead:" | Press the SELECT switch to turn read ahead on or off. When the desired state (on or off) is displayed, press the MENU switch to enter that state for read ahead and select the next option in the Set Configuration menu. |
| "CDE Curs:" | Press the SELECT switch to turn the CDE indicator (a blinking solid cursor in the rightmost display position) on or off. When the desired state (on or off) is displayed, press the MENU switch to enter that state for CDE Curs and select the next option in the Set Configuration Menu. |

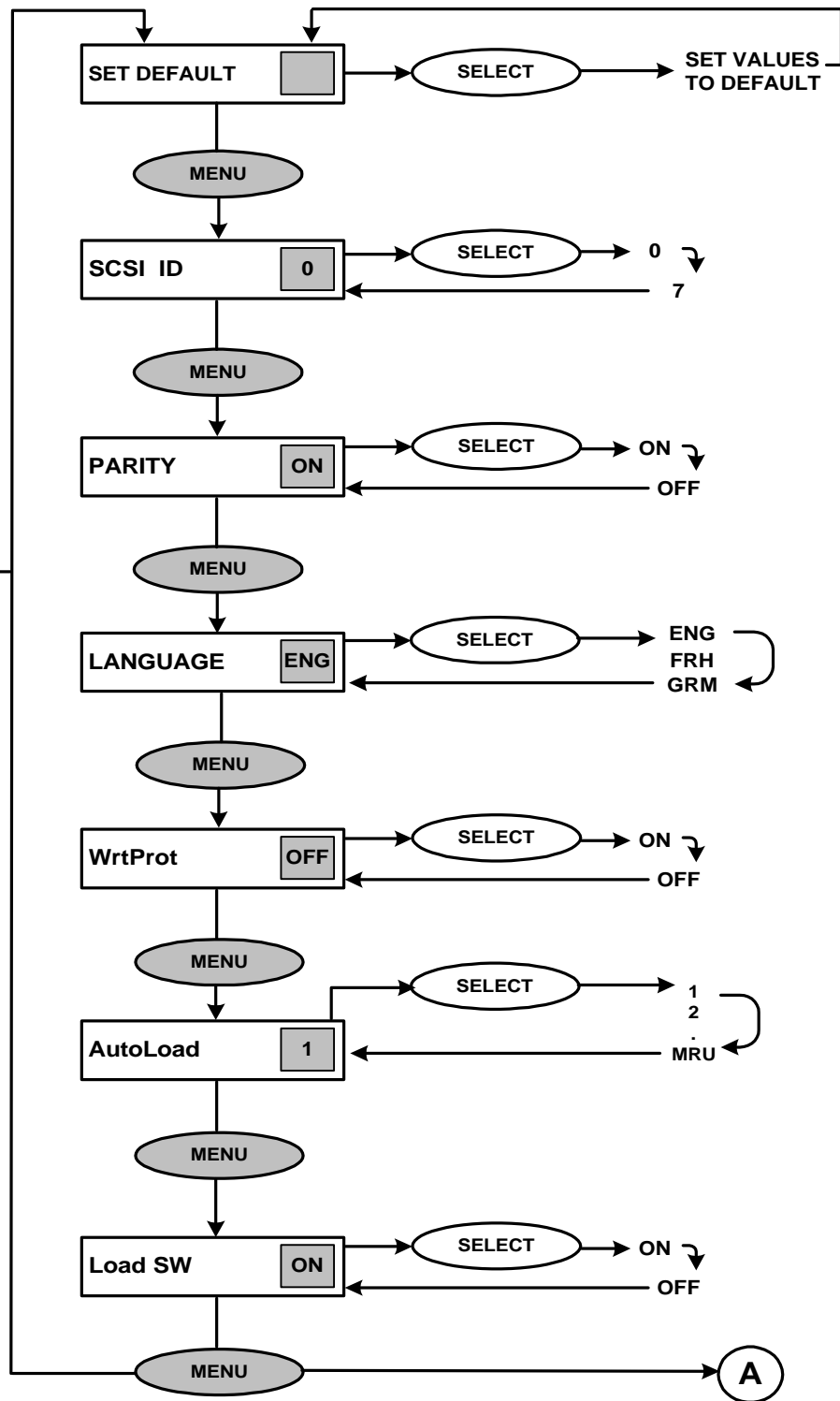
- "Busy"** Press the SELECT switch to toggle the Busy option between On and Off. When the desired mode has been selected, press the LOAD/MENU switch to select the next option.
- "ModSel RA"** Press the SELECT switch to toggle the Mode Select Read Ahead option between On and Off. When the desired mode has been selected, press the LOAD/MENU switch to select the next option.
- "MM SpinUp"** Press the SELECT switch to toggle the Media Management Spin Up option between On and Off. When the desired mode has been selected, press the LOAD/MENU switch to select the next option.

A structure diagram for the Set Configuration menu is shown in the next figure.

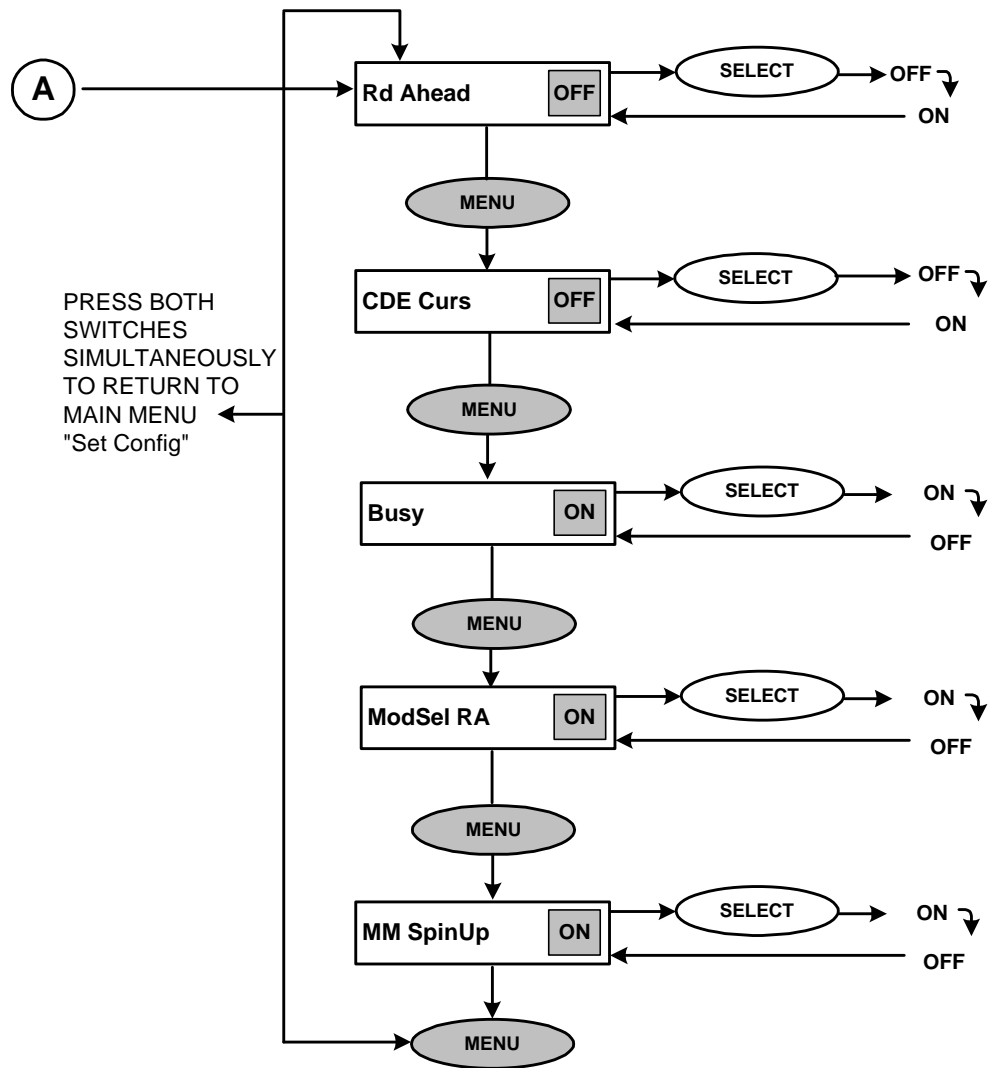
To move up a level in the configuration menu hierarchy to the Main menu, press the LOAD/MENU and TEST/SELECT switches simultaneously.

To exit the Configuration mode, press the LOAD/MENU and TEST/SELECT switches simultaneously from the Main menu. The display will show the message which appeared prior to the drive entering the Configuration mode.

PRESS BOTH SWITCHES SIMULTANEOUSLY TO RETURN TO MAIN MENU "Set Config"



Set Config Menu (Part 1)



Set Config Menu (Part 2)

SETTING THE SCSI ID

The SCSI ID can be set to one of eight device Identification (ID) numbers (0 through 7); however, each device connected to the same SCSI bus must have a different SCSI ID.

Perform the following procedure to set the LF 6600's SCSI ID number:

- 1) Enter the Configuration mode by pressing both the LOAD/MENU and TEST/SELECT switches simultaneously.
- 2) Press the MENU switch until "Set Config" is displayed.
- 3) Press the SELECT switch to enter the Set Configuration menu.
- 4) Press the MENU switch until "SCSI ID" is displayed.
- 5) Press the SELECT switch to scroll through the options for the SCSI ID value (0,1,2,3,4,5,6,7). When the desired value is displayed for the SCSI ID, press MENU to enter the SCSI ID value and move to the next option in the Set Configuration menu.
- 6) Simultaneously press the LOAD/MENU and TEST/SELECT switches to exit the Configuration mode. Simultaneously press the LOAD/MENU and TEST/SELECT Switches again to move up to the Main menu.

NOTE

After resetting the device ID, turn the drive off, wait 1 sec and then turn the drive on again. This ensures that the new device ID will be acknowledged by the SCSI bus.

SETTING THE BUS PARITY CHECKING

SCSI bus parity generation is always enabled; however, SCSI bus parity checking at the drive can be disabled.

Perform the following procedure to turn parity checking on or off.

- 1) Enter the Configuration mode by pressing both the LOAD/MENU and TEST/SELECT switches simultaneously.
- 2) Press the MENU switch until "Set Config" is displayed.
- 3) Press the SELECT switch to enter the Set Configuration menu.
- 4) Press the MENU switch until "Parity:" is displayed.
- 5) Press the SELECT switch to scroll through the states for parity checking (on, off) When the desired state is displayed, press MENU to enter the state and move to the next option in the Set Configuration menu.
- 6) Simultaneously press the LOAD/MENU and TEST/SELECT switches to exit the Configuration mode. Simultaneously press the LOAD/MENU and TEST/SELECT Switches again to move up to the Main menu.

SETTING THE LANGUAGE

The language option enables the user to select the language used by the LF 6600 to display messages in the Operating mode. (English is the only available language for Configuration mode.)

Perform the following procedure to set the operating mode display language.

- 1) Enter the Configuration mode by pressing both the LOAD/MENU and TEST/SELECT switches simultaneously.
- 2) Press the MENU switch until "Set Config" is displayed.
- 3) Press the SELECT switch to enter the Set Configuration menu.
- 4) Press the MENU switch until "Language:" is displayed.
- 5) Press the SELECT switch to scroll through the language display options (Eng = English, Frh = French, Grm = German). When the desired language option is displayed, press MENU to enter the language option and move to the next option in the Set Configuration menu.
- 6) Simultaneously press the LOAD/MENU and TEST/SELECT switches to exit the Configuration mode. Simultaneously press the LOAD/MENU and TEST/SELECT Switches again to move up to the Main menu.

SETTING THE WRITE PROTECT OPTION

The write protect option enables the user to inhibit the LF 6600 from writing to any media inserted into the drive, regardless of the write protect setting on the media cartridges.

Perform the following procedure to turn write protect on or off.

- 1) Enter the Configuration mode by pressing both the LOAD/MENU and TEST/SELECT switches simultaneously.
- 2) Press the MENU switch until "Set Config" is displayed.
- 3) Press the SELECT switch to enter the Set Configuration menu.
- 4) Press the MENU switch until "Wrt Prot:" is displayed.
- 5) Press the SELECT switch to scroll through the states for write protect (on, off). When the desired state is displayed, press MENU to enter the state and move to the next option in the Set Configuration menu.
- 6) Simultaneously press the LOAD/MENU and TEST/SELECT switches to exit the Configuration mode. Simultaneously press the LOAD/MENU and TEST/SELECT Switches again to move up to the Main menu.

NOTE

The Write Protect indicator on the DOC is illuminated when write protect is enabled.

SETTING THE MEDIA AUTOLOAD OPTION

The media AutoLoad load option enables a user to choose which media cartridge is automatically inserted and loaded at power up and whenever the LOAD/MENU switch is pressed while in the Operating mode. The factory default selects the cartridge in slot 1.

Perform the following procedure to set the LF 6600's AutoLoad option:

- 1) Enter the Configuration mode by pressing both the LOAD/MENU and TEST/SELECT switches simultaneously.
- 2) Press the MENU switch until "Set Config" is displayed.
- 3) Press the SELECT switch to enter the Set Configuration menu.
- 4) Press the MENU switch until "AutoLoad:" is displayed.
- 5) Press the SELECT switch to scroll through the autoload options, (1,2,3,4,5,6,and MRU). When the desired option is displayed, press MENU to enable that option and to move to the next option in the Set Configuration menu.
- 6) Simultaneously press the LOAD/MENU and TEST/SELECT switches to exit the Configuration mode. Simultaneously press the LOAD/MENU and TEST/SELECT Switches again to move up to the Main menu.

SETTING THE LOAD SWITCH OPTION

The load switch option enables the user to enable or disable the LOAD/MENU switch on the DOC. The LOAD/MENU switch can be disabled to prevent accidentally spinning down a media cartridge. This also prevents cartridge loading from the DOC, giving the host exclusive control of media loading.

Perform the following procedure to enable or disable the LOAD/MENU switch.

- 1) Enter the Configuration mode by pressing both the LOAD/MENU and TEST/SELECT switches simultaneously.
- 2) Press the MENU switch until "Set Config" is displayed.
- 3) Press the SELECT switch to enter the Set Configuration menu.
- 4) Press the MENU switch until "Load SW:" is displayed.
- 5) Press the SELECT switch to scroll through the states for the load switch (on, off). When the desired state is displayed, press MENU to enter the state and move to the next option in the Set Configuration menu.
- 6) Simultaneously press the LOAD/MENU and TEST/SELECT switches to exit the Configuration mode. Simultaneously press the LOAD/MENU and TEST/SELECT Switches again to move up to the Main menu.

SETTING THE READ AHEAD OPTION

The read ahead option often improves the overall read data transfer rate of the LF 6600 in applications which require continuous blocks of data to be read (as compared to the same subsystem without read ahead).

Perform the following procedure to turn read ahead on or off.

- 1) Enter the Configuration mode by pressing both the LOAD/MENU and TEST/SELECT switches simultaneously.
- 2) Press the MENU switch until "Set Config" is displayed.
- 3) Press the SELECT switch to enter the Set Configuration menu.
- 4) Press the MENU switch until "Rd Ahead:" is displayed.
- 5) Press the SELECT switch to scroll through the states for read ahead (on, off). When the desired state is displayed, press MENU to enter the state and move to the next option in the Set Configuration menu.
- 6) Simultaneously press the LOAD/MENU and TEST/SELECT switches to exit the Configuration mode. Simultaneously press the LOAD/MENU and TEST/SELECT Switches again to move up to the Main menu.

CAUTION



The read ahead option is system dependent. Ensure that you check with your system analyst before setting this option.

When enabled, the read ahead option uses the data buffer (2 MBytes) to store data sectors read from the disk beyond those sectors requested by the host. Subsequent sequential sectors will be read directly from the buffer instead of incurring the latency time it takes to access sequential sectors. (Refer to the LD 6100/LF 6600 SCSI Interface Specification [P/N 97653978].)

SETTING THE CDE CURS OPTION

The CDE Curs (Controller Detected Error) option enables a blinking solid cursor in the rightmost character location of the DOC panel when a CDE has occurred. In most system installations, the host system will recover from reported CDE's and no user intervention is required. A developer may wish to enable this indicator during system development or installation.

Perform the following procedure to turn CDE Curs on or off.

- 1) Enter the Configuration mode by pressing both the LOAD/MENU and TEST/SELECT switches simultaneously.
- 2) Press the MENU switch until "Set Config" is displayed.
- 3) Press the SELECT switch to enter the Set Configuration menu.
- 4) Press the MENU switch until "CDE Curs:" is displayed.

- 5) Press the SELECT switch to scroll through the states for CDE Curs (on, off). When the desired state is displayed, press MENU to enter the state and move to the next option in the Set Configuration menu.
- 6) Simultaneously press the LOAD/MENU and TEST/SELECT switches to exit the Configuration mode. Simultaneously press the LOAD/MENU and TEST/SELECT Switches again to move up to the Main menu.

SETTING THE BUSY OPTION

When the enabled, the "Busy" message is displayed at the DOC during a spin up or spin down operation. The "Busy" message will also be displayed when a command that cannot be stored for later execution is being executed.

Perform the following procedure to enable or disable the BUSY option.

- 1) Enter the Configuration mode by pressing both the LOAD/MENU and TEST/SELECT switches simultaneously.
- 2) Press the MENU switch until "Set Config" is displayed.
- 3) Press the SELECT switch to enter the Set Configuration menu.
- 4) Press the MENU switch until "Busy:" is displayed.
- 5) Press the SELECT switch to scroll through the states for the load switch (on, off). When the desired state is displayed, press MENU to enter the state and move to the next option in the Set Configuration menu.
- 6) Simultaneously press the LOAD/MENU and TEST/SELECT switches to exit the Configuration mode. Simultaneously press the LOAD/MENU and TEST/SELECT Switches again to move up to the Main menu.

SETTING THE MODSEL RA OPTION

When the enabled, the (Mode Select Read Ahead) ModSel RA option allows the LaserDrive to continue reading sequentially after a READ command has been completed.

Perform the following procedure to enable or disable the ModSel RA option.

- 1) Enter the Configuration mode by pressing both the LOAD/MENU and TEST/SELECT switches simultaneously.
- 2) Press the MENU switch until "Set Config" is displayed.
- 3) Press the SELECT switch to enter the Set Configuration menu.
- 4) Press the MENU switch until "ModSel RA:" is displayed.
- 5) Press the SELECT switch to scroll through the states for the load switch (on, off). When the desired state is displayed, press MENU to enter the state and move to the next option in the Set Configuration menu.

- 6) Simultaneously press the LOAD/MENU and TEST/SELECT switches to exit the Configuration mode. Simultaneously press the LOAD/MENU and TEST/SELECT Switches again to move up to the Main menu.

SETTING THE MM SPINUP OPTION

When the enabled, the (Media Management Spin Up) MM SpinUp option allows the LaserDrive to read necessary media management information during spin up. If not enabled, the media management information will recovered on the first media access command.

Perform the following procedure to enable or disable the MM SpinUp option.

- 1) Enter the Configuration mode by pressing both the LOAD/MENU and TEST/SELECT switches simultaneously.
- 2) Press the MENU switch until "Set Config" is displayed.
- 3) Press the SELECT switch to enter the Set Configuration menu.
- 4) Press the MENU switch until "MM SpinUp:" is displayed.
- 5) Press the SELECT switch to scroll through the states for the load switch (on, off). When the desired state is displayed, press MENU to enter the state and move to the next option in the Set Configuration menu.
- 6) Simultaneously press the LOAD/MENU and TEST/SELECT switches to exit the Configuration mode. Simultaneously press the LOAD/MENU and TEST/SELECT Switches again to move up to the Main menu.

VIEWING DIAGNOSTIC RESULTS OR PERFORMING DIAGNOSTIC OPERATIONS ("DIAGNOSTICS")

To enter the diagnostic submenu, press the TEST/SELECT switch while "Diagnostics" is displayed in the Main menu. The drive will enter the Diagnostics menu which includes the following options:

"Park Drive" Press the SELECT switch to park the baseplates for drive shipment. If the "Park Failed, Close Manually" message appears, refer to the Manual Release section of this manual. Press the MENU switch to select the next option in the Diagnostics menu.

"Test Sensors" Press the SELECT switch to enter sensor display mode. In sensor display mode the DOC panel will display the status of the sensors within the drive. For details, see the LF 6600 Hardware Maintenance Manual (P/N 97653979). Press the MENU switch to select the next option in the Diagnostics menu.

"Clear NvRAM"

CAUTION



Since the initialization variables cannot be recovered once they are cleared, this operation should only be performed by a trained Customer Engineer (CE).

Press the SELECT switch; the message "Drive will reset and NvRAM will be cleared! To Continue Press Select" will appear. Press the MENU switch if you do not want to clear the nonvolatile memory (NvRAM) initialization variables; press the SELECT switch to clear the NvRAM initialization variables in the drive. Press the MENU switch to select the next option in the Diagnostics menu.

"Cal Shuttle" Press the SELECT switch to enter the Cal Shuttle option. This option allows alignment of the load pin to the center of the cartridge track. If the shuttle requires calibration, press SELECT to continue the calibration procedure. Follow the instruction displayed at the DOC. During the calibration procedure, the message "Align Slot "1 and "Close Door" will alternate at the DOC. When the cal procedure has been completed, press LOAD/MEDIA switch to return to the MAIN menu.

"View CDEs" Press the SELECT switch to view the controller detected error (CDE). The DOC will display the error code. When no error has occurred, the "No CDE Error" message is displayed. The error code is cleared upon exiting the Diagnostics menu. The error code should be logged by the operator for aiding the CE in diagnosing the drive problem. Press the MENU switch to select the next option in the Diagnostics menu.

"Sys Log:"

Press the SELECT switch to enable or disable system event logging. The log can be used by a trained CE to help in problem isolation or for performance monitoring. Drive performance will be slowed and may not meet specification if logging is enabled. The default is "Sys Log Off". Press the MENU switch to select the next option in the Diagnostics Menu.

"Test Thru:"

Press the SELECT switch to set the level of diagnostics tests which will be performed during selftest (refer to the next table). Selftest is invoked by pressing the TEST switch on the DOC panel. Tests always start at test 0 and continue through the test number selected by the "Test Thru:" option. For example, if test 5 is selected ("Test Thru:5"), selftest diagnostics will include tests 0 through 5. This selftest series will be performed each time the TEST switch is pressed.

Press the MENU switch to select the next option in the Diagnostics Menu.

Diagnostics Selftests

TEST #	DESCRIPTION OF TEST
0	Power-on self-test. This test cannot be disabled; it runs automatically when the drive is powered on.
1	PCA Self-tests, DPR Communication
2	Read/Write Data Path
3	OMA
4	Cartridge Guide and Shuttle Sensors
5	Baseplate and Spindle Motor Operation
6	Servo Control Systems
7	Read Performance
8	Write Performance, Write Power Calibration
9	Reserved

"View RTPM"

Press the SELECT switch to view the RTPM (Real Time Performance Monitor) status. If no RTPM error has occurred, the DOC will display "No RTPM Err". If an RTPM error has occurred, the DOC will display the media serial number and drive channel combination which caused the RTPM error. The media serial number will be displayed for 5 sec (S/N: #####) and then the drive channel will be displayed for 4 sec (Channel: A, B, or A+B). The display will then return to the View RTPM option.

"Clear RTPM"

CAUTION



RTPM errors indicate the drive or media require maintenance, and place the drive in a read only mode. Corrective action may be as simple as cleaning the media that caused the error, or may require the attention of a trained Customer Engineer (CE) to repair the drive. Clearing this error without resolving the cause may reduce the total media capacity because of abnormally high relocations during write operations.

Press the SELECT switch; if an RTPM error has not occurred, the message "No RTPM Err" will briefly appear and the display will return to "Clear RTPM". If an RTPM has occurred, a confirmation message will be displayed. Press the SELECT switch to clear the RTPM error and enable writing. Press the MENU switch to select the next option in the Diagnostic (Park Drive) menu without clearing the RTPM error. The drive will not perform write operations with an RTPM error.

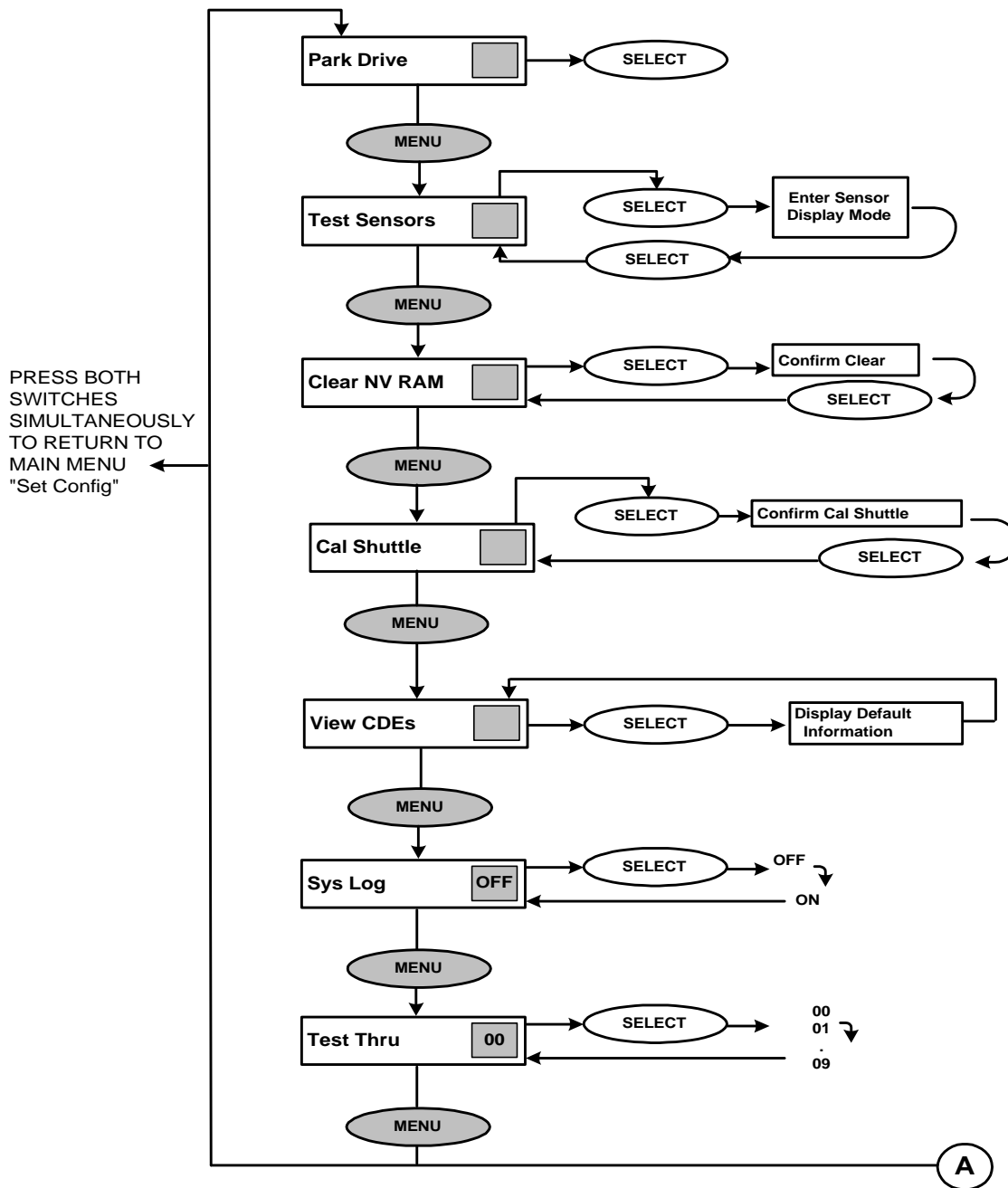
"Init DPC"

Press SELECT switch to Initialize DPC. This option will clear all the serial E-Prom values and reset the drive.

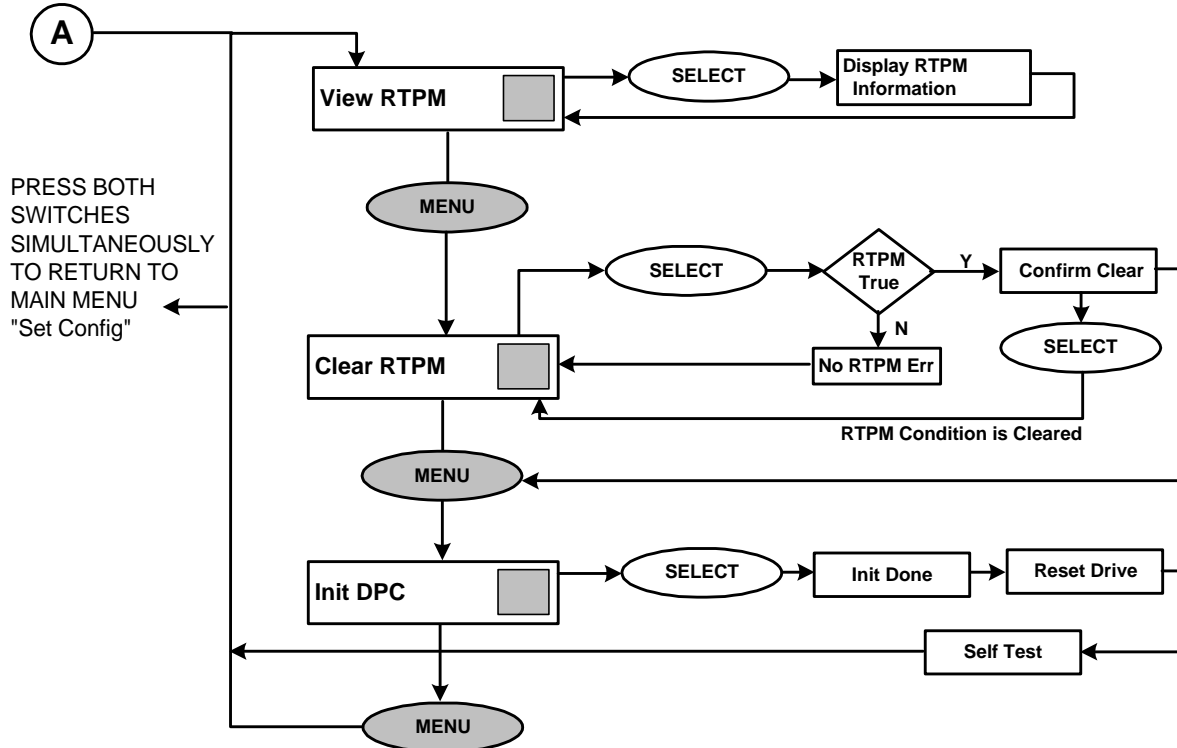
A structure diagram for the Diagnostics menu is shown in the next figure.

To move up a level in the configuration menu hierarchy to the Main menu, press the LOAD/MENU and TEST/SELECT switches simultaneously.

To exit the Configuration mode, press the LOAD/MENU and TEST/SELECT switches simultaneously from the Main menu. The display will show the message which appeared prior to the drive entering the Configuration mode.



Diagnostics Menu (Part 1)



Diagnostic Menu (Part 2)

SET THE INTERNAL DRIVE SERIAL NUMBER ("SET SERIAL #")

To enter the serial number submenu, press the TEST/SELECT switch while "Set Serial #" is displayed in the Main menu. The drive will enter the menu allowing the operator to view and change the internal drive serial number.

NOTE

The serial number set in the drive must correspond to the last 5 digits of the drive's actual serial number for accurate internal event logging to occur. The drive's actual serial number is located on the back of the drive enclosure.

To change the drive's 5-digit serial number, follow these steps:

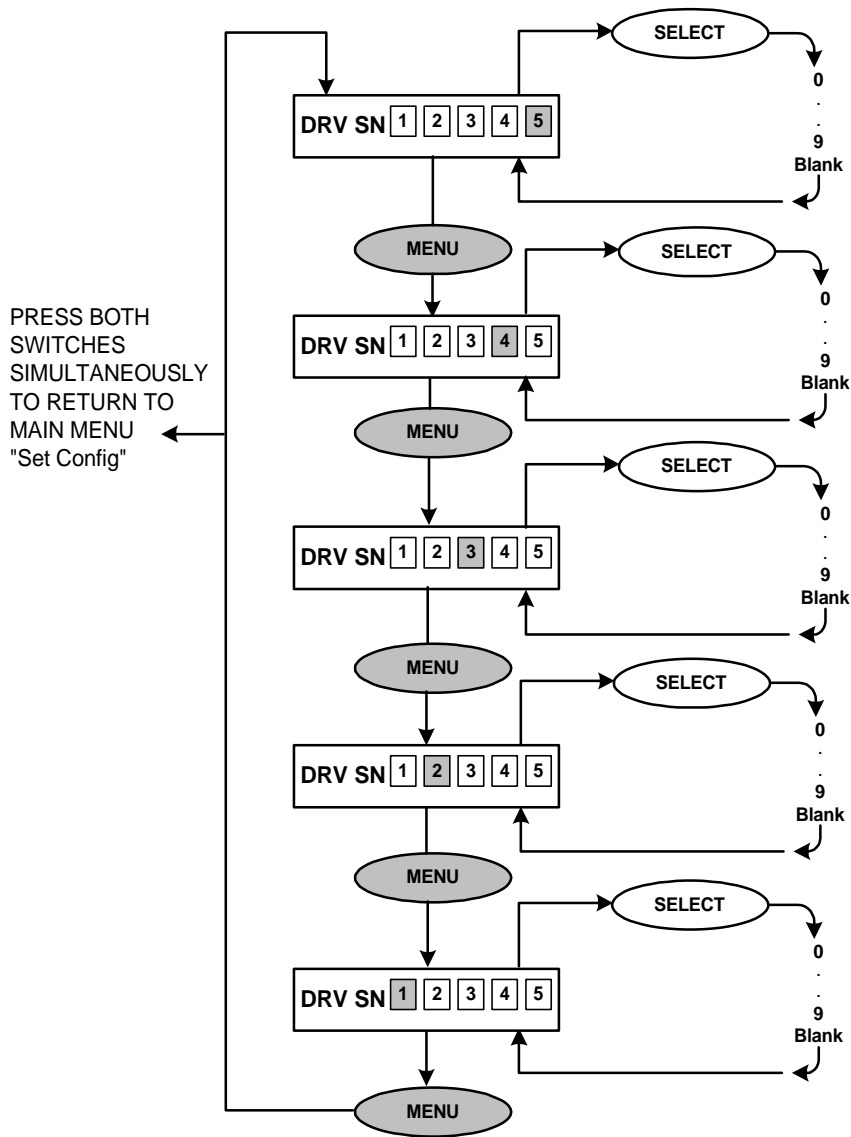
- 1) Enter the Configuration mode by simultaneously pressing the LOAD/MENU and TEST/SELECT switches.
- 2) Press the MENU switch until "Set Serial #" is displayed.
- 3) Press the SELECT switch to enter the serial number mode. The serial number will be displayed.

- 4) If the serial number does not require revision, simultaneously press the LOAD/MENU and TEST/SELECT switches to move up to the Main menu. Simultaneously press the LOAD/MENU and TEST/SELECT switches again to exit Configuration mode.

If the serial number requires revision, press the MENU switch until the digit position to be changed is blinking. Then press the SELECT switch until the desired digit value is displayed. Continue to select digit positions and values until the correct serial number is displayed.

- 5) Simultaneously press the LOAD/MENU and TEST/SELECT switches to move up to the Main menu. Simultaneously press the LOAD/MENU and TEST/SELECT switches again to exit Configuration mode.

A structure diagram for the Set Serial # menu is shown in the next figure.



N = Digit to be Set is Flashing

Set Serial # Menu

TEST MODE

The LF 6600 automatically enters the Test mode each time it is powered on. Power-on selftest diagnostics are run to verify the operational readiness of the drive.

After the LF 6600 successfully passes the power-on selftests, the LF 6600 enters the Operating mode. While the LF 6600 is in the Operating mode, the operator may manually enter the Test mode and invoke the system function diagnostics.

The level of selftest diagnostic coverage is configurable via the "Test Thru:" option in the Diagnostics menu. Lower level tests (numbers 0 through 6) verify basic drive hardware operation.

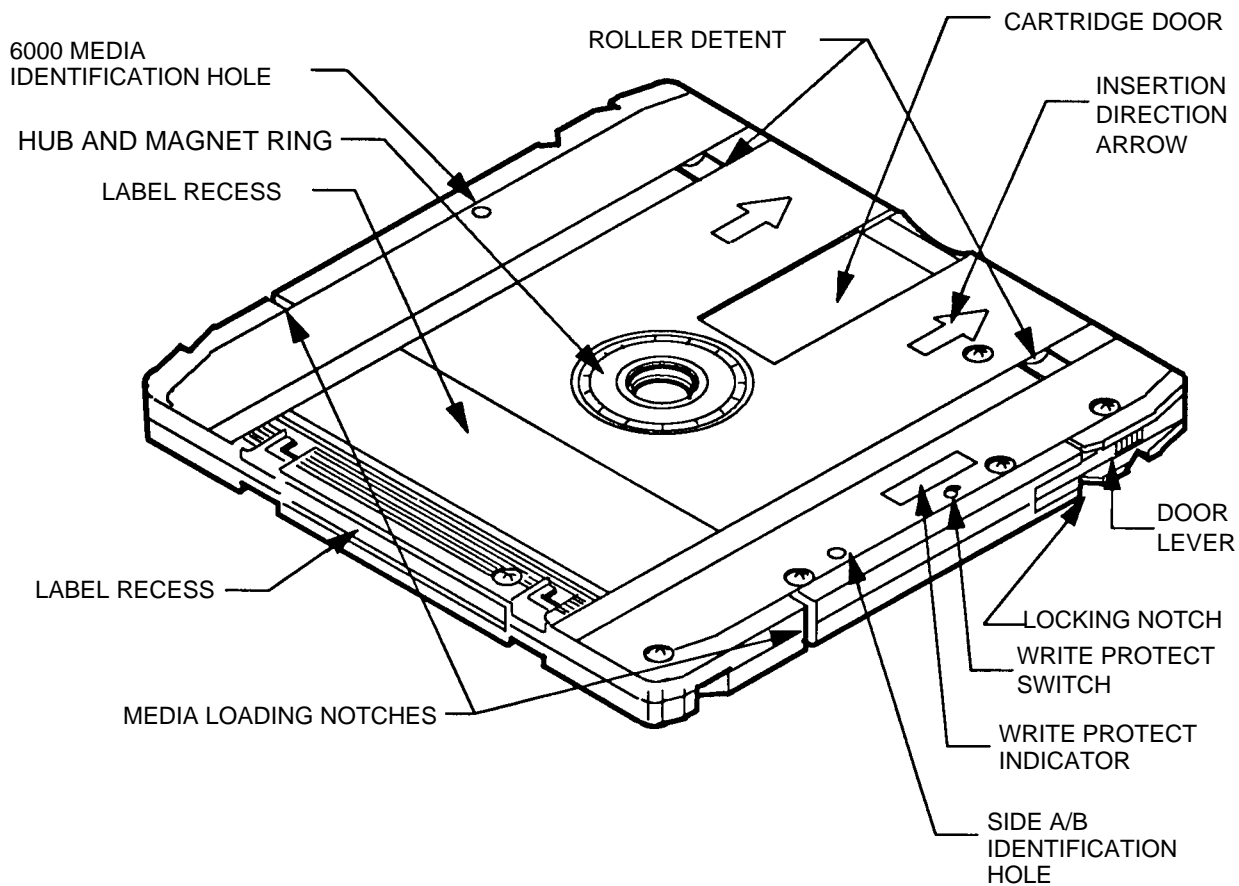
When errors are detected, the appropriate diagnostic message will be displayed on the DOC. Diagnostic messages are presented to the operator in the form of failed test codes and Field Replaceable Unit (FRU) mnemonics that can be relayed to a CE for repairing the malfunction.

If no problems are detected by the system function diagnostics, the display will show "Diagnostics Complete. Press TEST to restart drive...".

Pressing TEST resets "Test Thru:" value to 00 and initiates selftest again. At the successful completion of the selftest, the LF 6600 is returned to the operating mode, ready for normal operation.

MEDIA CARTRIDGE HANDLING

The LM 6000 media is used in all LD 6100/LF 6600/LF 6602 drives. The LM 6000 media cartridge, illustrated in the next figure, is shipped ready for immediate use and does not require preformatting.



EP006708

The LM 6000 Media Cartridge

The LM 6000 media cartridge has visible arrows to indicate the direction of insertion into the shuttle slots. Take care to insert the media with the correct orientation. The media cartridge has a write protect switch which write protects both sides of the media when the switch is in the active position.

Observe the following precautions to ensure data integrity when handling or storing a media cartridge:

- 1) Do not drop the media cartridge onto hard surfaces.
- 2) Do not physically abuse the cartridge exterior or access mechanisms.
- 3) Do not store the media cartridge in the drive.
- 4) Remove cartridges from the drive when the drive is going to be moved.
- 5) Apply labels only in designated areas. Refer to the Affixing Label section for instructions on label placement.
- 6) Avoid exposing the media cartridge to direct sunlight and condensation.

CAUTION



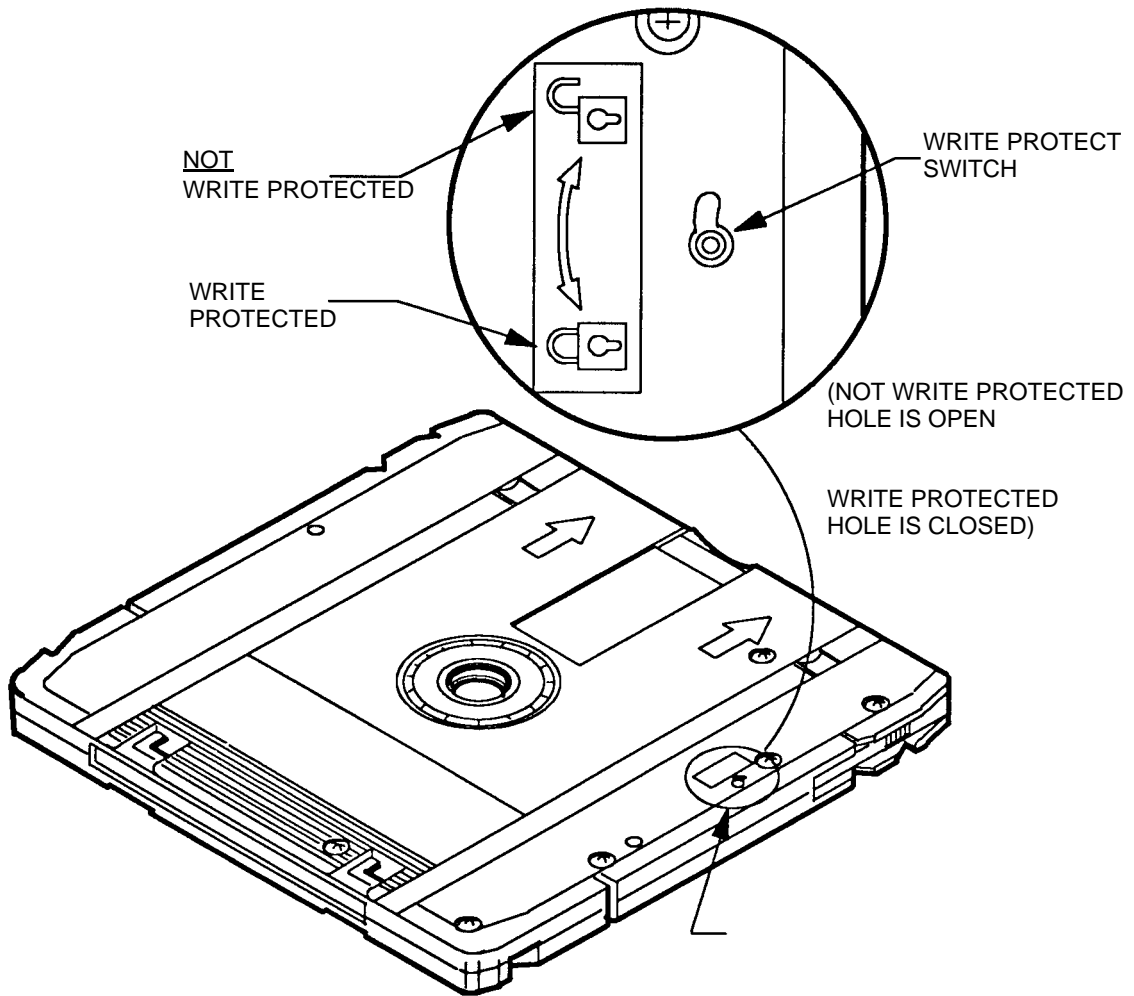
Careful attention to the environmental constraints specified in the LM 6000 Media Specification (P/N 97647044) is strongly recommended to prevent damage to the media.

- 7) Do not expose the media cartridge to temperature extremes.
- 8) Stabilize the media cartridge to the specified operating temperature range 1 hr before use.
- 9) Do not open the media access shutter.
- 10) Do not touch the disk surface through the media access shutter.
- 11) Do not remove the disk from the cartridge.
- 12) Use, handle and store the media cartridge in clean office conditions.
- 13) Do not smoke while handling the media. Smoke is a prime source of disk contamination. All smoking materials should be kept away from areas where the media are in use or storage.
- 14) Keep external surfaces of the cartridge clean. Dust the cartridge periodically with a soft, dry, lint-free cloth.

For more information concerning media care and handling, refer to the LM 6000 Media Specification (P/N 97647044).

SETTING THE WRITE PROTECTION SWITCH

To manually write protect a cartridge, set the write protect switch on the data cartridge as indicated in the next figure.

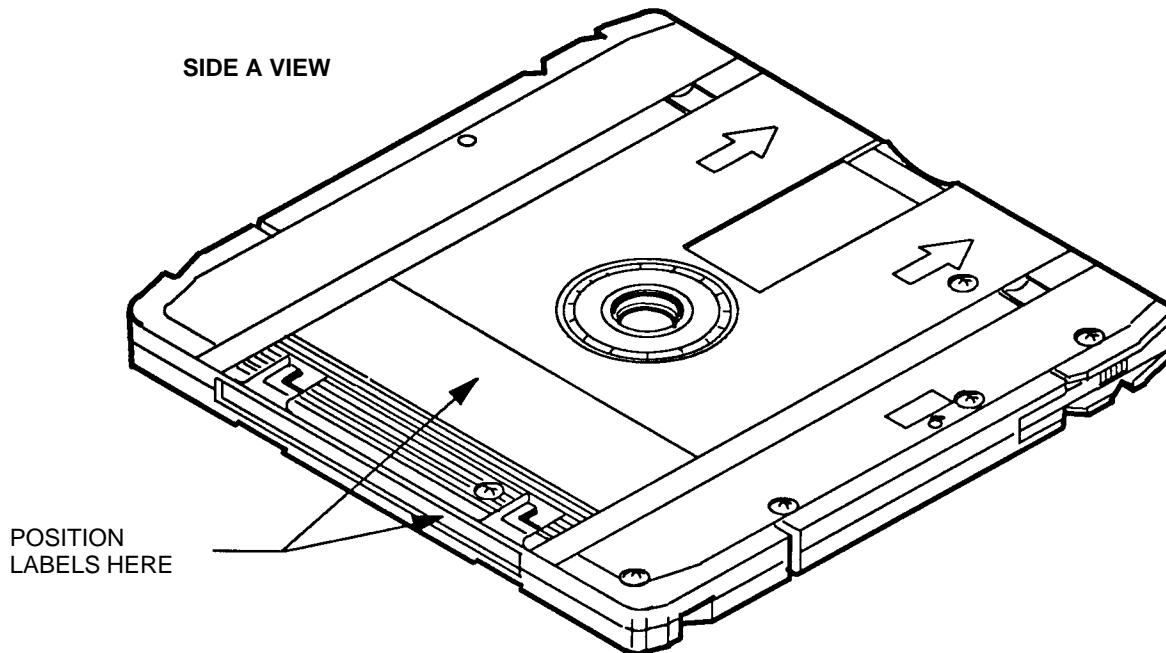


Manually Write Protecting the Media Cartridge

EP004350

AFFIXING LABELS

Title and content labels are supplied with each LM 6000 media cartridge and should be affixed before the cartridge is inserted into the LF 6600. Before affixing the labels in the recessed areas (see figure below), ensure that the surface of the cartridge is clean and dry.



Label Placement

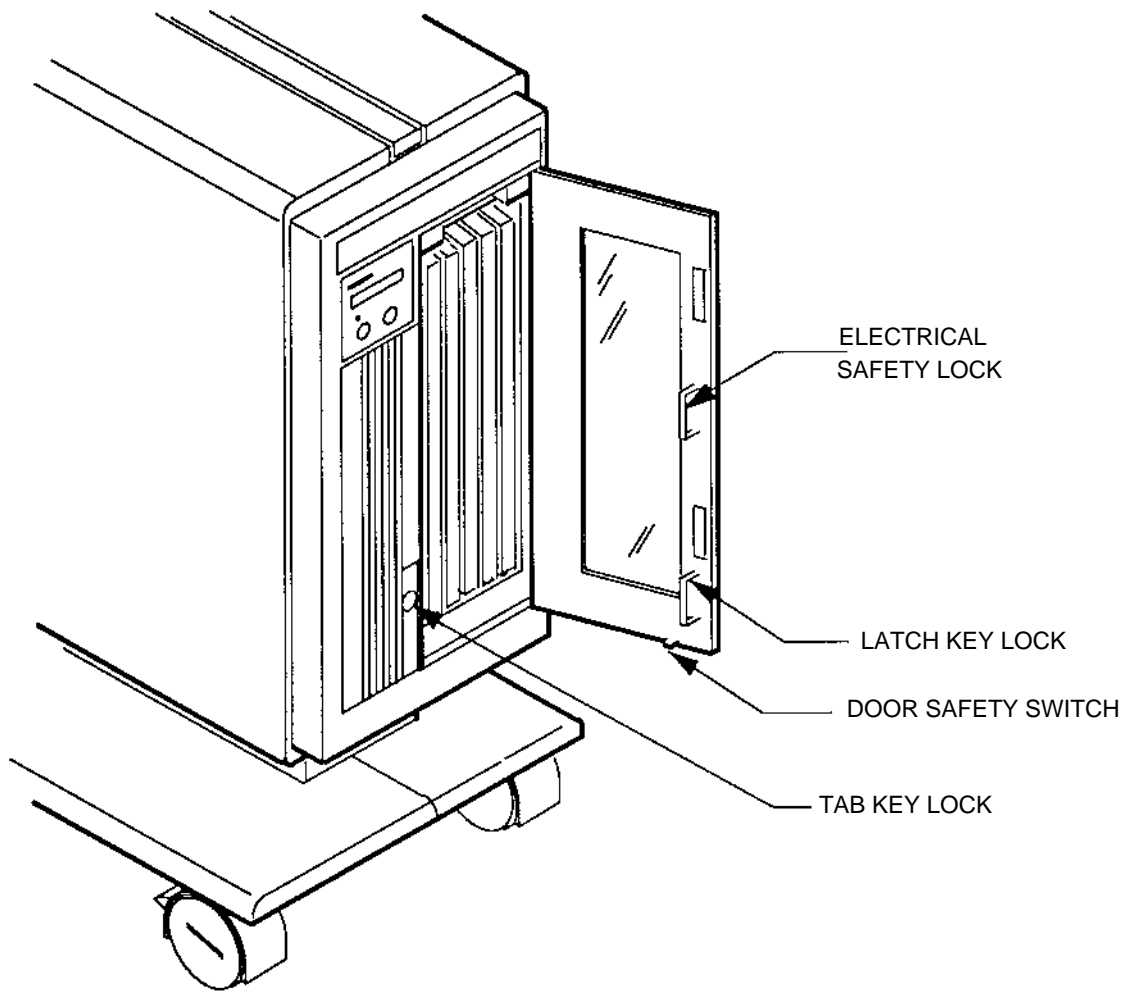
EP004111

MEDIA INSERTION AND REMOVAL

Individual media cartridges are inserted and removed through the front panel media access door. When fully closed, the door is held by magnetic contacts. A safety switch prevents operation of the shuttle if the door is open. When the door is opened and closed, the drive tests the six slots to determine which slots have media cartridges present.

The door is automatically locked by a electrical safety lock when the drive begins operation. An independent manual key lock, located in the bezel assembly, provides an additional locking method for preventing unauthorized media access.

Operator access to the media requires the shuttle to be in the home position. The home shuttle position squarely aligns all six cartridge slots with the media access door as illustrated in the next figure.



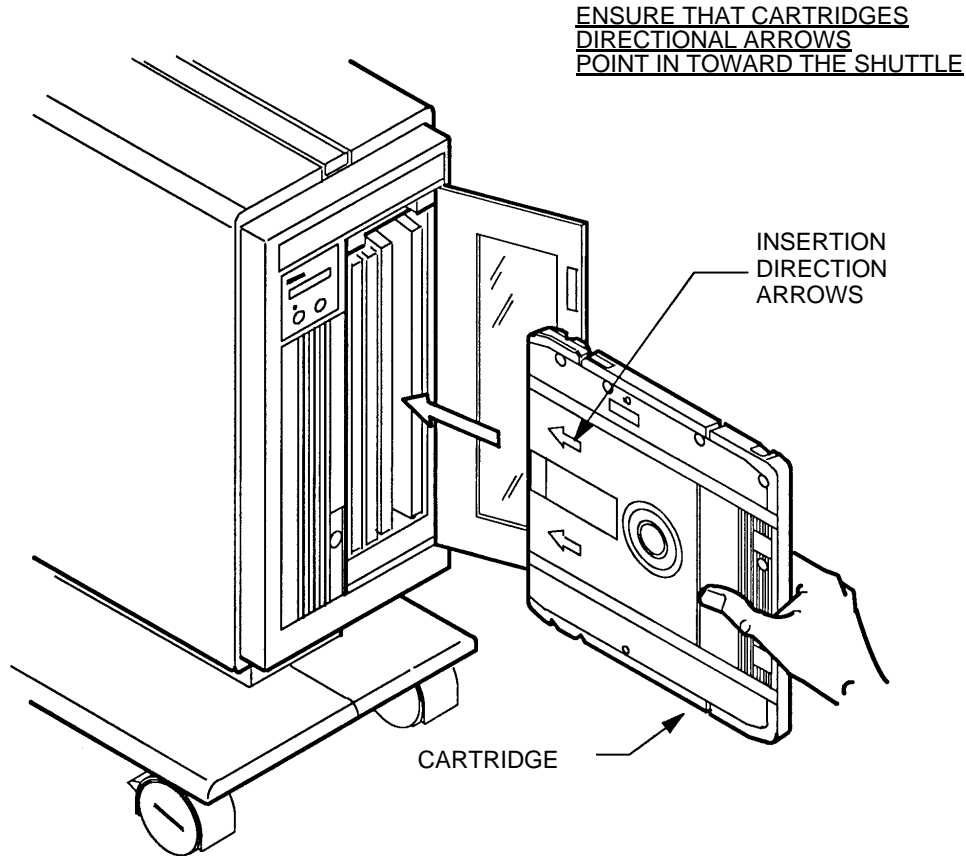
LF 6600 Media Access

EP006026

Returning the shuttle to home can be accomplished by host command or by pressing LOAD/MENU at the DOC. If access is authorized, the drive will unload the media cartridge into the shuttle, move the shuttle to the home position, and unlock the electrical safety door lock. If access is denied by command from the host, pressing LOAD/MENU will have no effect and the DOC will briefly display the "Denied" message.

CARTRIDGE INSERTION

LM 6000 media cartridges are inserted directly into the LF 6600 shuttle via the media access door described in the Media Access Door section. Ensure that the arrows on the cartridge point toward the shuttle and insert the cartridge into the slot until it is fully seated and its back edge is flush with the edge of the shuttle.

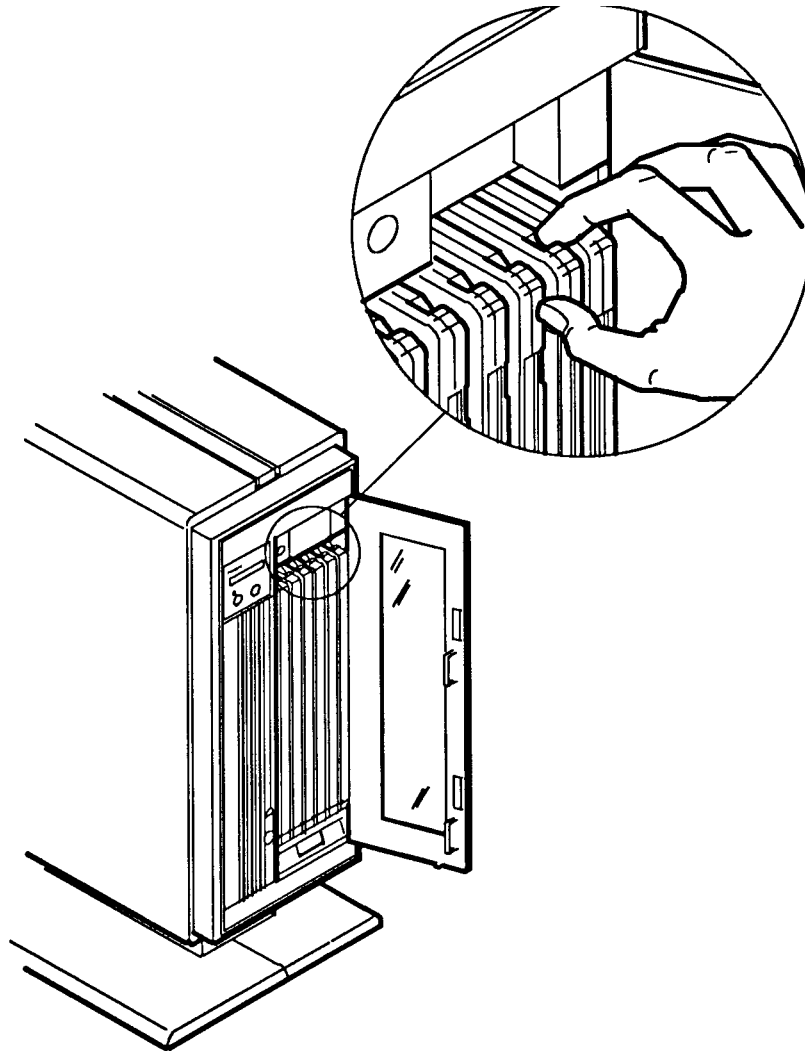


EP006045

Data Cartridge Insertion

CARTRIDGE REMOVAL

LM 6000 media cartridges may be removed from the media access door. To aid in removing the closely spaced cartridges, the top rear edge of the shuttle is cut away and a notch is provided on the exposed edge of each cartridge. Pulling on the cartridge notch with one finger as shown in the next figure, will back the cartridge out far enough so that it can be grasped and removed.



EP006038

LM 6000 Cartridge Removal

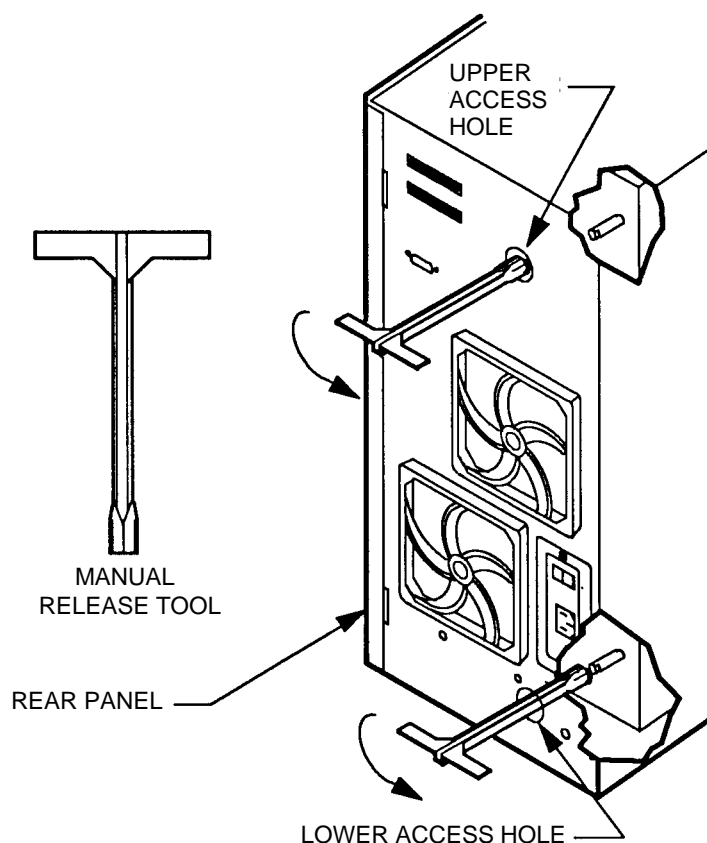
MANUAL CARTRIDGE RELEASE MECHANISM

If power fails or if the drive fails with a media cartridge inserted, the media cartridge can be manually removed by opening the drive baseplates, removing the bezel and then retracting the cartridge.

OPENING THE BASEPLATES

With the manual release tool, perform the following procedure:

- 1) Move the AC power switch to the OFF (O) position and disconnect the AC power cable from the wall outlet.
- 2) At the rear panel, insert the manual release tool into the upper access hole and engage the recessed D-shaped shaft. Turn the tool handle counterclockwise as far as it will turn to open the upper baseplate.
- 3) Repeat step 2) at the lower access hole to open the lower baseplate.



Manually Opening the LF 6600 Baseplates

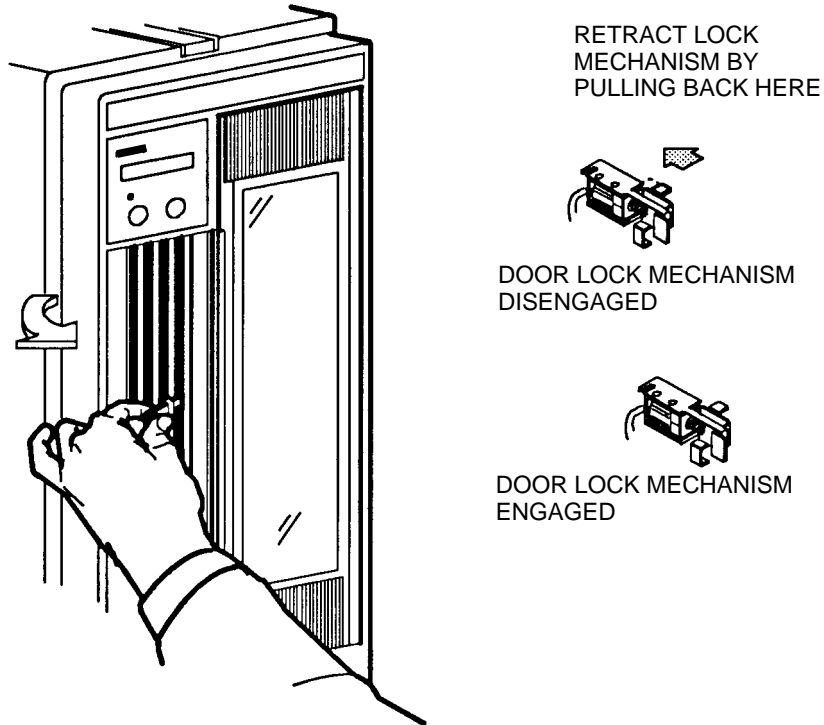
EP006046

REMOVING THE BEZEL

NOTE

A T15 screwdriver is required for removing the bezel assembly.

- 1) Release the electrical safety door lock by inserting the flat handle end of the manual release tool through the slot in the bezel and move the locking lever to the left out of the door lock tab as shown below.



Manually Overriding the Door Lock

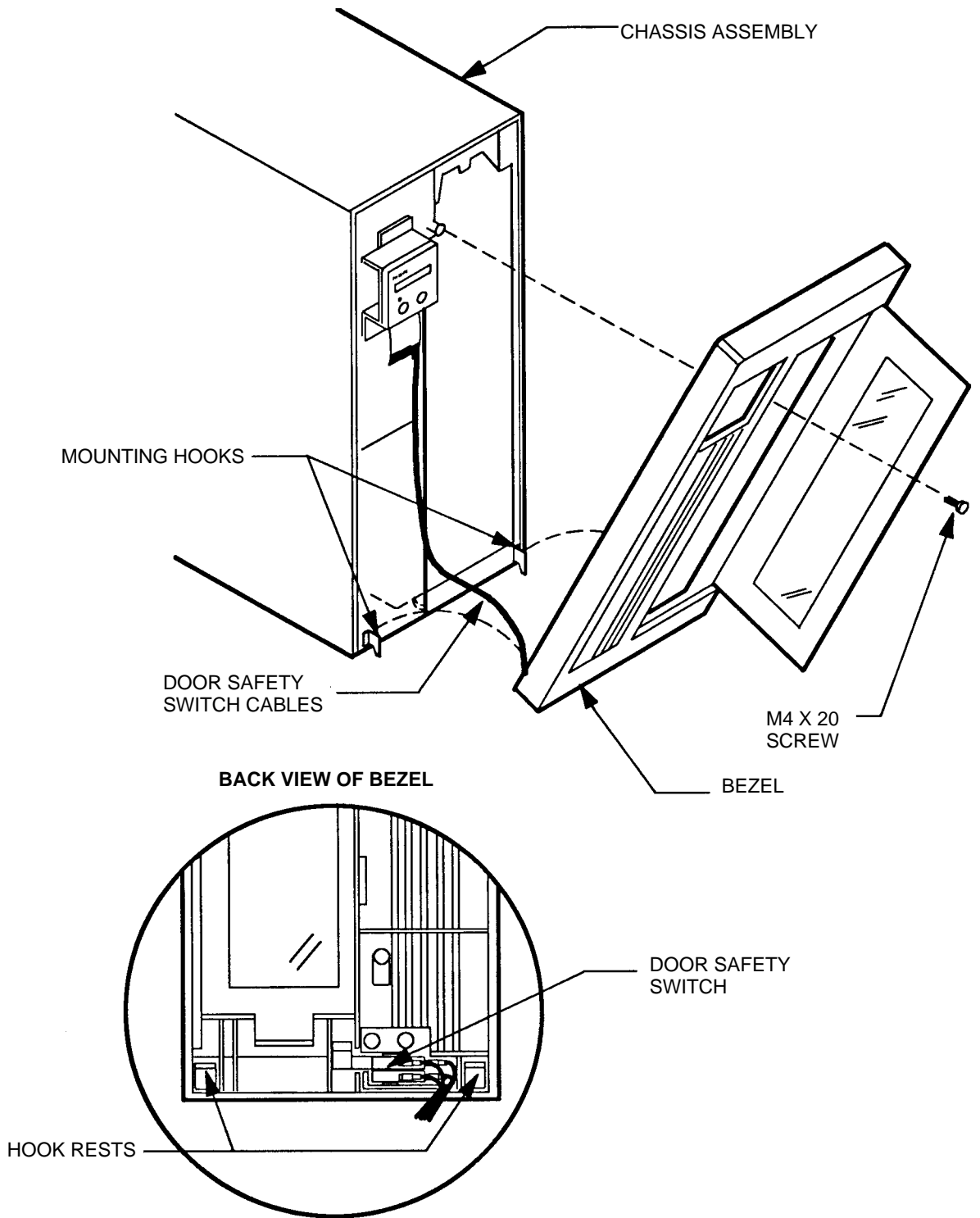
EP006037

- 2) Open the media access door and remove the M4 x 20 mounting screw. Unplug the door safety switch cables at the chassis and remove the bezel assembly by pulling it up and away from the lower mounting tabs on the chassis as shown in the figure below.

CAUTION



Ensure that you do not damage the door safety switch cables when you are removing the bezel.

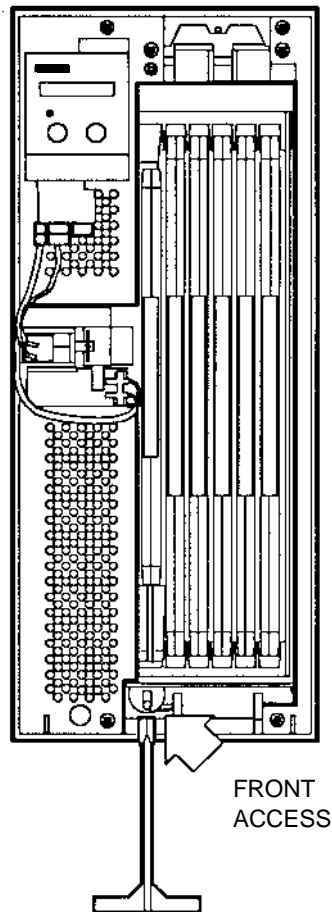


Bezel Removal

EP006044

RETRACTING THE CARTRIDGE

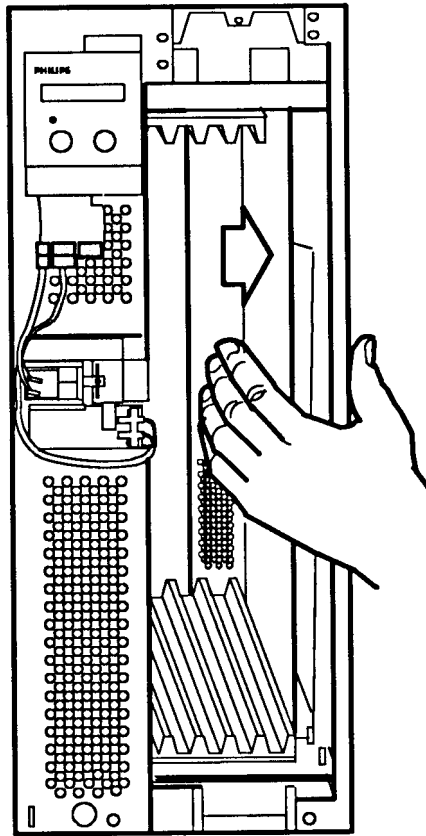
- 1) Insert the manual release tool onto the D-shaped shaft at the front of the drive as shown below to operate the cartridge insertion mechanism. Turn the tool clockwise as far as it will turn, pulling the cartridge back into the shuttle.



LF 6600 Manual Cartridge Retraction

EP006040A

2) Manually move the shuttle to the home position as shown below.



Manually Moving the Shuttle Assembly to the Home Position

EP006039

3) Remove the cartridge from the shuttle slot.

MEDIA LOADING

Individual media cartridges can be selected for loading by host command or by the autoloader configuration option. The host can select and load a media cartridge from any shuttle slot by issuing an appropriate SCSI bus command.

Selection by the autoloader configuration option occurs at initial power up and when the LOAD/MENU switch on the DOC is pressed while the LF 6600 is in Operating mode. Depending on the setting of the autoloader option, the LF 6600 automatically inserts and loads one specified media cartridge or the most recently used (MRU) cartridge or moves the shuttle to the home position.

If the selected cartridge is not present, the DOC displays "# Empty", where # represents cartridges 1-6.

For more information on viewing and setting drive configuration options, refer to the Configuration Mode section of this manual.

OPERATOR MAINTENANCE

INSPECTING AND CLEANING FAN AND BLOWER FILTERS

Inspect the Filters at the rear of the drive on a 1 - 6 month schedule and clean, if necessary, to ensure that cooling air flow is not restricted. If the drive is exposed to excessive amounts of dust, decrease the time between inspection intervals.

Remove dust on the drive's exterior with a dry, lint-free cloth. Dust can migrate to the media cartridge and cause performance degradation.

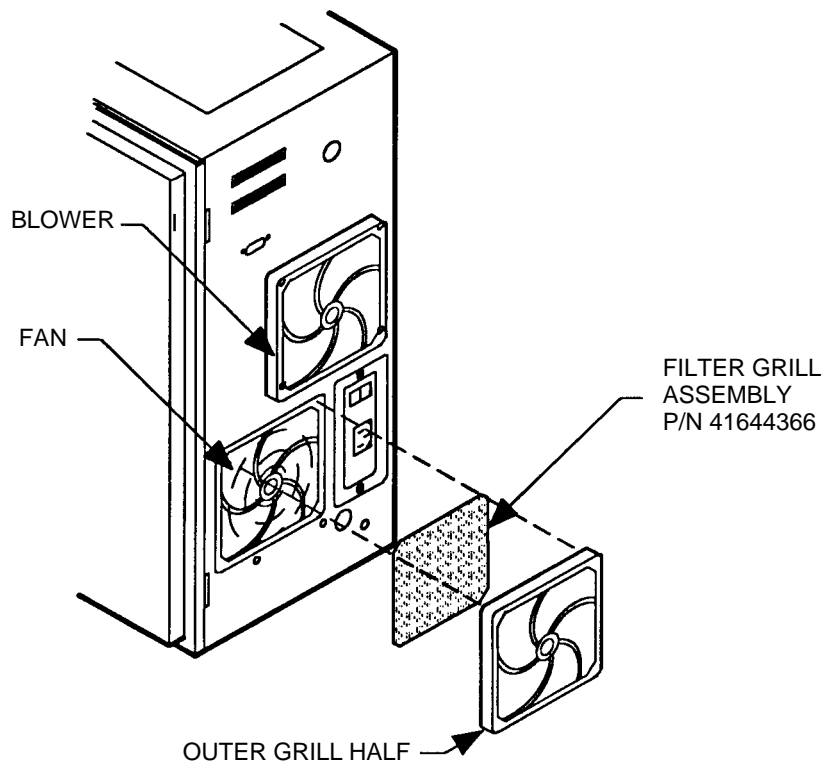
CAUTION



Failure to maintain a clean Filter Element can reduce air flow through the drive. This will create high temperatures in the LF 6600 which may shorten the life of the drive.

Perform the following procedure to clean the Filter Elements:

- 1) Set the drive's AC power switch to the OFF (O) position and verify that the fan and blower have stopped running.
- 2) Remove each Outer Grill Half by grasping its sides and pulling it away from the chassis.
- 3) Remove each Filter Element by pulling it away from the inside of the Grill.
- 4) Wash the Filter Element in warm soapy water.
- 5) Rinse the Element thoroughly and let it air dry.
- 6) Re-install the Filter Element in the Outer Grill Half.
- 7) Replace the Outer Grill Half by snapping it onto the inner Grill



Removing Filter Element

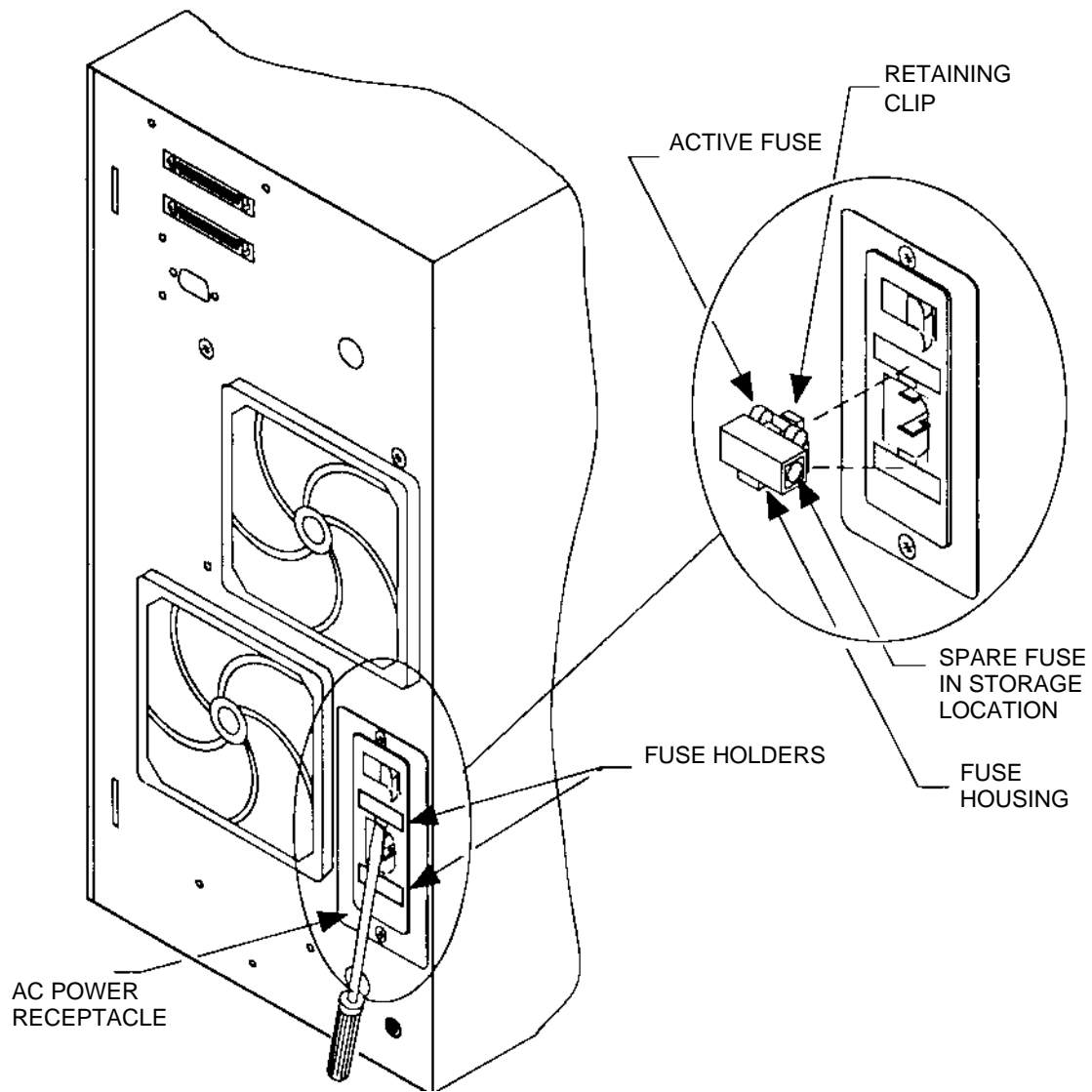
EP006058

REPLACING FUSES

As stated in the Drive Characteristics section of this manual, two fuses and two spare fuses are integrated into the power receptacle on the rear panel of the LF 6600 (refer to the figure below). If the drive will not power up, one or both of the fuses may have blown.

To replace a blown fuse with a spare fuse:

- 1) Set the drive's AC power switch to the OFF (O) position and remove the AC power cord.
- 2) Insert a small, flat-blade screwdriver between the fuse holder and the receptacle housing, as shown.
- 3) Gently pry the fuse holder open. Slide the fuse holder out of the receptacle and visually inspect the active fuse to determine if it is blown. If the active fuse is blown, proceed to step 4); otherwise, proceed to 5).
- 4) Remove the active fuse and discard it. Remove the spare fuse from its storage location and insert the fuse between the fuse housing and the retaining clip.
- 5) Re-install the fuse holder into the receptacle, sliding the holder into the receptacle until the holder is aligned flush with the receptacle housing.
- 6) Apply power to the unit (refer to the Power - On Procedure).
- 7) If power is not restored, check the other fuse.



EP006079

Removing Fuse from AC Power Receptacle (Rear View of LF 6600)

WARNING



If a spare fuse blows immediately after you have replaced the original fuse, contact your next level of support.

Do not replace the spare fuse. This may be a symptom of a more serious problem, either with the drive's power supply or with the power system.

MEDIA CLEANING

Media disk surfaces should be inspected periodically and cleaned on an as-needed basis.

MEDIA CLEANING USING CLEANING KIT P/N 97662550

The Cleaning Kit P/N 97662550 provides a semi-automated cleaning method for cleaning the Plasmon LM 4000 and LM 6000 12 inch optical media. Follow the instructions given in the enclosed Cleaning Instructions.

The Kit contains the following items:

- One 12 inch media cleaning fixture
- One container of cleaning liquid
- One package of 500 cleaning tissues
- One pair of latex gloves
- Cleaning Instructions

ACCESSORIES

The following accessories are available from Plasmon LMS.

The cables listed in the table below can be purchased to connect product and host. All Plasmon SCSI cables are shielded and can be used for both Differential and Single Ended applications.

Optional SCSI Cables

Plasmon Part Number	Length	Connector A	Connector B
77050622	1 M (3.3 ft)	50 pin high-density Alt 1-A cable-Male, Rt angle	50 pin high-density Alt 1-A cable-Male, Rt angle
97654406	1 M (3.3 ft)	50 pin high-density Alt 1-A cable-Male	68 pin high-density B cable-Male
97654408	1 M (3.3 ft)	50 pin low-density Alt 2-A cable-Male	68 pin high-density B cable-Male
97653532	1 M (3.3 ft)	68 pin high-density B cable-Male	68 pin high-density B cable-Male
97654499	1 M (3.3 ft)	68 pin high-density B cable-Male	68 pin high-density B cable-Male
97660914	12 M (39.6 ft)	68 pin high-density B cable-Male	68 pin high-density B cable-Male
97655289	2 M (6.6 ft)	50 pin high-density Alt 1-A cable-Male, Rt angle	50 pin low-density Alt 2-A cable-Male, Straight
97655292	2 M (6.6 ft)	50 pin high-density Alt 1-A cable-Male, Rt angle	50 pin high-density Alt 1-A cable-Male, Lt angle
97654500	2 M (6.6 ft)	68 pin high-density B cable-Male	68 pin high-density B cable-Male
97655290	4 M (13.2 ft)	50 pin low-density Alt 2-A cable-Male	50 pin high-density Alt 1-A cable-Male, Rt angle
97655291	4 M (13.2 ft)	50 pin high-density Alt 1-A cable-Male, Rt angle	50 pin high-density Alt 1-A cable-Male, Lt angle
97654409	4 M (13.2 ft)	50 pin low-density Alt 2-A cable-Male	68 pin high-density B cable-Male
97660913	4 M (13.2 ft)	68 pin high-density B cable-Male	68 pin high-density B cable-Male
97655288	19.1 cm (7.5 in)	50 pin high-density Alt 1-A cable RT angle-Male	50 pin high-density Alt 1-A cable Lt angle-Male

The table below contains optional SCSI accessories such as terminators and adapters that can be purchased to connect the drive to the host.

Optional SCSI Accessories

Plasmon Part Number	Product Description	Type	Connector A	Connector B
97653447	Interface Adapter 50 to 68 pin	Adapter	50 pin high-density Alt 1-A cable-Male	68 pin high-density B cable Female
97654411	Interface Adapter AS/400 for 6501 Controllers	Adapter	Special long pin 68 pin high-density B cable-Male	68 pin high-density B cable Female
97654412	Interface Adapter RS/600-Wide-68pin	Adapter	68 pin Micro Centronics-Male	68 pin high-density B cable Female
97654413	Trilink Adapter	Adapter	68 pin high-density B cable Male	Two 68 pin high-density B cable connectors Female, Female
97655293	Terminator-Passive	S/E Terminator	50 pin high-density Alt 1-A cable-Male	None
97655294	Terminator	Differential Terminator	50 pin high-density Alt 1-A cable-Male	None
97655295	Terminator-Active	S/E Terminator	50 pin high-density Alt 1-A cable-Male	None
97653428	Terminator	S/E Terminator	68 pin high-density B cable Male	None
97653429	Terminator	Differential Terminator	68 pin high-density B cable Male	None
97655539	Pass Thru Terminator	S/E Terminator	68 pin high-density B cable Male	68 pin high-density B cable Female
97655540	Pass Thru Terminator	Differential Terminator	68 pin high-density B cable Male	68 pin high-density B cable Female

Differential and Single - ended Cable Kits

Plasmon Part Number	Product Description	Includes
SP97660827	Kit, Cable, Differential, US	15165428, 97653429
SP97660828	Kit, Cable, Differential, EUR	97646185, 97653429
SP97660829	Kit, Cable, Differential, UK	97646184, 97653429
SP97660830	Kit, Cable, S/E, US	15165428, 97653428
SP97660831	Kit, Cable, S/E, EUR	97646185, 97653428
SP97660832	Kit, Cable, S/E, UK	97646184, 97653428

The table below contains optional power cables for each country

Optional Power Cables

Plasmon Part Number	Product Description	Length	Connector A	Connector B
15165428	U.S. Power Cord	2 M (6.6 ft)	U.S. AC Plug Male	In-Line Plug Female
97646184	British Power Cord	2 M (6.6 ft)	United Kingdom Plug	In-Line Plug Female
97646185	European Power Cord	2 M (6.6 ft)	Cont. Europe Plug	In-Line Plug Female
97653763	AS/400 Power Cord	2 M (6.6 ft)	In-Line Plug Male	In-Line Plug Female

The table below list the optional media cleaning accessories

Optional Media Cleaning Accessories

Plasmon Part Number	Product Description	Includes
97662550	12 inch Media Cleaning Kit	One 12 inch media cleaning fixture One container of cleaning liquid One package of 500 cleaning tissues One pair of latex gloves Cleaning Instructions
97662548	Media Cleaning Refills	Replacement container of cleaning liquid Replacement package of cleaning tissues

GERMAN TRANSLATIONS / ÜBERSETZUNGEN INS DEUTSCHE

ABMESSUNGEN UND GEWICHT

Tabelle 1 zeigt die Bezugsabmessungen für die LF 6600-Konfigurationen.

Abmessungen der LF 6600-Konfigurationen.

ABMESSUNG	GESTELLMONTAGE	TURM
Länge	71,1 cm 74,4 cm inkl. Frontblende	82,0 cm inkl. Sockel
Breite	22,1 cm inkl. Frontblende	35,7 cm inkl. Sockel
Höhe	46,7 cm 47,5 cm inkl. Frontblende	63,6 cm inkl. Sockel
Einbautiefe	71,1 cm	

Das Versandgewicht des LF 6600 ist nachfolgend angeführt. Datenträgerkassetten sind in diesen Werten nicht enthalten.

- Gestellmontage 44,1 kg
- Turm 62,3 kg

TEMPERATUR, LUFTFEUCHTIGKEIT UND SEEHÖHE

Tabelle 2 enthält die Betriebs-, Lager- und Übergangsgrenzwerte für Temperatur, Feuchtigkeit und Meereshöhe des LF 6600.

Tabelle 2. Temperatur-, Luftfeuchtigkeits- und Höhengrenzwerte

BEDINGUNG	BETRIEB	RUHE	LAGERUNG/ TRANSPORT ⁽¹⁾
Temperatur	10 bis 42 C ²	-40 bis 66 C	-40 bis 66 C
Maximale Änderungsrate	11 C/h	20 C/h	20 C/h
Luftfeuchtigkeit (Nicht Kondensierend)	10 bis 90%	5 bis 95%	5 bis 95%
Maximale Änderungsrate	10%/h	10%/h	10%/h
Maximale Feuchtkugeltemperatur ³	28 C	46 C	46 C
Minimaler Taupunkt	2 C	2 C	2 C
Seehöhe ⁴	-300 bis 3000 m -300 bis 2000 m Mit Datenträger		Lagerung: -300 bis 3000 m Transport: -300 bis 12000 m

- 1 Die Lagerungsangaben beziehen sich auf maximal 90 Tage in der Plasmon LMS-Verpackung. Kondensation ist nicht zulässig. Die Transportangaben gelten für maximal 1 Woche in einem werkseitig verschlossenen Behälter.
- 2 Falls nicht anders angegeben ist die maximale Betriebstemperatur für ein freistehendes Laufwerk auf Meereshöhe, 42 C. Die maximale Betriebstemperatur über 300 m Höhe wird bei 2000 m Höhe linear auf 38 C herabgesetzt.
- 3 Weitere Informationen zu Temperatur- und Luftfeuchtigkeitsgrenzwerten im Betriebszustand finden Sie in der Produktspezifikation für den LD 6100/LF 6600/LF 6602 (Bestellnr. 97653977).
- 4 Für Datenträger gilt ein Grenzwert von 2000 m. Umgebungsbedingungen und Grenzwerte für Datenträger finden Sie in der Produktspezifikation für den LM 6000-Datenträger (Bestellnr. 97647044).

STOSS UND VIBRATION

Tabelle 3 enthält die Grenzwerte für Stoß- und Schwingungsbeanspruchungen.

Tabelle 3. Stoß- und Vibrationskriterien und -Grenzwerte

BEDINGUNG	BETRIEB	RUHE ¹	LAGERUNG/ TRANSPORT ²
Wobbelvibration (Bidirektional) 1 Oktave/Minute	5 bis 22 Hz 0,01 Zoll Doppelamplitude 22 bis 500 Hz, 0,25 g Peak	5 bis 44 Hz 0,03 Zoll Doppelamplitude 44 bis 500 Hz, 3,0 g Peak	5 bis 44 Hz 0,03 Zoll Doppelamplitude 44 bis 500 Hz, 3,0 g Peak
Stoß ³ (Hostwiederholungen Sind U.u. Erforderlich Und Laufwerksleistung Kann Sich Während Des Tests Verschlechtern)	10 msek. Halb- Sinusimpuls Von 10,0 g Peak ⁴		
Unverpackt (3 Achsen)		5msek. Halb- Sinusimpuls 20 g Peak	
Verpackt Auf Palette			Verpackt Auf Palette 46 cm Fallversuch - Flach

1 Mit entfernten Datenträgern

2 In LMS-genehmigter Verpackung

3 Die Häufigkeit wiederholter Stoßeinwirkungen ist so weit gering zu halten, daß mechanische bzw. elektrische Störungen zwischen den einzelnen Stößen wieder nachlassen.

4 Vor-Rück-Achsen: Stoß über 3,0 g Peak verschiebt Datenträger im Wagen

WECHSELSTROMBEDARF

Der LF 6600 ist mit einem im Wechselstromschalter integrierten, geerdeten Netzanschluß ausgerüstet. Der Überlaststromschutz ist durch zwei in den Wechselstromschalter integrierte Sicherungen gegeben.

Das Netzteil des Laufwerks erfordert die in Tabelle 4 angegebenen Netzspannungen. Das Netzteil ist selbstregulierend und erfordert kein mechanisches Schalten der Eingangsspannung oder Frequenzwahl.

Tabelle 4. Wechselstrombedarf

FREQUENZ	WECHSELSPANNUNG	LEISTUNG (TYPISCH)	EINSCHALT- STROMSTOSS1	NENNLEISTUNG, MIN
47 bis 66 Hz	86,7 bis 128 V	1,5 A	5,5 A	15 A
47 bis 66 Hz	173,4 bis 268 V	0,75 A	2,75 A	15 A

1 Weniger als 1 Sek., Kaltstarthinweis

HINWEIS

Nach Ausschalten des Stroms muß die Bedienperson 1 Sekunde warten, bevor der Strom wieder eingeschaltet werden darf.

WECHSELSTROMERDUNG

Um einen sicheren Betrieb zu gewährleisten, muß das Gehäuse des LF 6600 geerdet sein. Das Wechselstromkabel enthält eine Erdleitung, die das Gehäuse des LF 6600 durch die Wechselstromversorgung des Standorts an Sicherheitserde legt. Die Wechselstromversorgung des Standorts wiederum muß diese Erdung an einen Erdanschluß legen. Alle Wechselstromverbindungen am Standort müssen denselben Erdanschluß verwenden.

Ein Erdanschlußteil an der Geräterückseite (vgl. Abschnitt 2.2.) kann ebenfalls dazu verwendet werden, den LF 6600 an einen Erdanschluß zu legen. Dieser Erdanschlußteil ist ein 6 mm M4-Bolzen mit Mutter und Sicherungsscheibe.

KIPPTOLERANZ

Ermöglicht den Kippbetrieb von der waagrechten Stellung.

WÄRMEAUSSTRAHLUNG

Das Laufwerk weist während eines Schreib-Lese-Vorgangs eine typische Wärmeabgabe von 146 kcal/h (BTU/h) auf. Wenn Datenträgerkassetten mit der Maximalgeschwindigkeit des Laufwerks eingelegt, geladen, eingeschaltet, ausgeschaltet, entladen und entfernt werden, weist der LF 6600 eine typische Wärmeabgabe von 182 kcal/h (725 BTU/h) auf.

GRENZWERTE FÜR DIE STAUBKONZENTRATION

Der LF 6600 ist für den Betrieb in einem Büro- oder Computerraum konstruiert. Die Umgebung muß niedrige Staubwerte aufweisen.

Der LF 6600 filtert die eingehende Luft, um die Menge an Feststoffteilchen, die in das Laufwerk eintreten, zu vermindern. Dieser Filter ist jedoch gegen kleine Teilchen (dazu gehört auch Tabakrauch), die sich auf den Datenträgern und optischen Komponenten absetzen, nicht effektiv, was eine Verschlechterung der Laufwerksleistung zur Folge hätte.

WARNHINWEISE

Der LF 6600 ist als Lasergerät eingestuft. Als solches unterliegt es den US-amerikanischen Anforderungen an Lasergeräte. Die in Abbildung 6 dargestellten Warnhinweise sind gemäß Bundesverordnungen erforderlich und dürfen nicht vom LF 6600 entfernt werden.

AUSPACHEN DES LF6600

WARNUNG



Um Personenverletzungen zu vermeiden, sind für das Auspacken, Wiederverpacken und den Transport des LF 6600 zwei Personen erforderlich. Der Versuch, den LF 6600 ohne Hilfe einer zweiten Person anzuheben, kann zu Personenverletzungen führen.

VORSICHT



Die Frontblende ist etwas größer als das Gehäuse. Wenn das Laufwerk auf eine flache Oberfläche gestellt wird, sollte das vordere Ende des LF 6600 über den Rand der Stützfläche hinausragen, so daß die Frontblende nicht belastet wird.

WIEDERVERPACKEN DES LF 6600

Der LF 6600 sollte in seiner Originalverpackung wiederverpackt werden. Schließen Sie die Grundplatten, bevor Sie den LF 6600 einpacken. Halten Sie sich beim Verpacken des LF 6600 an das folgende Verfahren.

VORSICHT



Die Grundplatten müssen in geschlossener Stellung sein, bevor der LF 6600 transportiert werden kann, um die Beschädigung des Laufwerks zu vermeiden, wodurch die Garantie hinfällig würde.

SCHLIEßEN DER GRUNDPLATTEN

- 1) Stellen Sie sicher, daß sich keine Kassette im Laufwerk befindet. Sollte dies der Fall sein, nehmen Sie die Kassette aus dem Laufwerk. Entfernen Sie alle Kassetten aus dem Wagen (Informationen zum Entfernen von Kassetten aus einem Laufwerk, das nicht in Betrieb ist, finden Sie in Abschnitt 5.5.4).
- 2) Wählen Sie die Option "parken" (vgl. Abschnitt 5.3.2.3.), um den LF 6600 auf den Transport vorzubereiten. Falls das Laufwerk nicht funktioniert, folgen Sie Nachstehenden Schritten:
- 3) Stellen Sie sicher, daß der Wechselstromschalter ausgeschaltet (OFF - 0) ist.
- 4) Stecken Sie den Speziälschlüssel in das obere Zugangsloch an der Geräterückseite, und erfassen Sie damit die versenkte D-fürmige Welle. Drehen Sie den Handgriff des Schlüssels so weit wie möglich im Uhrzeigersinn und schließen Sie dadurch die obere Grundplatte (vgl. Abbildung 1).
- 5) Wiederholen Sie Schritt b) am unteren Zugangsloch, um die untere Grundplatte zu schließen.

EINSETZUNG ERFORDERLIS

VORSICHT



Wenn der LF 6600 in ein Gerätegestell oder -Gehäuse eingebaut ist, stellen Sie sicher, daß die interne Temperatur des Gestells oder Gehäuses die in der Produktspezifikation und dem vorliegenden Handbuch angegebenen Betriebsgrenzen nicht überschreiten. Senkrecht gestapelte Einheiten erfordern spezielle Aufmerksamkeit im oberen Bereich, in dem höhere Temperaturen herrschen.

Sie müssen das LF 6600 an eine Stromversorgung anschließen, die eine direkte Erdung hat (Netzwerk-/Erdungsverbinding TT = Terminated Terra). Diese Einheit ist nicht für den Einsatz mit einer schwimmenden Erdung (Netzwerk IT = Interrupted Terra) vorgesehen.

Achten Sie darauf, daß das Laufwerk an eine Stromversorgung mit ausreichender Stromstärke angeschlossen ist.

Tabelle 5 führt die erforderlichen Freiraumweiten auf, die für eine ausreichende Durchlüftung, einen angemessenen Zutritt zum Einlegen und Entfernen von Kassetten und ein vollständiges Ausfahren des Gestells sorgen.

Tabelle 5. Freiraumweiten für den Betrieb von LF 6600-Konfigurationen

BEREICH	GESTELLMONTAGE	TURM
Vorne	132 cm	51 cm
Hinten	51 cm	51 cm
Seiten	51 cm 12,7 cm	

Stellen Sie sicher, daß der Ort, an dem der LF 6600 mit Turm- oder Gestellmontagenkonfiguration aufgestellt wird, ein Luftstromvolumen von 3,2 m³/min (112 cfm) aufnehmen kann. Bei der Konfiguration mit Gestellmontage muß die hintere Abdeckung des umgebenden Gerätegehäuses Entlüftungsöffnungen haben. Stellen Sie außerdem sicher, daß die Betriebsumgebung staubfrei ist.

WARNUNG



Um Brand- oder Stromstoßschäden zu vermeiden, darf der LF 6600 weder Regen noch Feuchtigkeit ausgesetzt werden. Lassen Sie Wartungsarbeiten nur von qualifizierten Technikern ausführen.

Isolieren Sie die Einheiten vom Hauptnetz im Falle eines Brandes oder einer anderen Notsituation, indem Sie die Stecker aus den Steckdosen ziehen. Sollte das Herausziehen der Stecker nicht möglich oder praktisch sein, isolieren Sie die Einheiten vom Hauptnetz, indem Sie das Hauptnetz des Systems ausschalten.

WARNUNG



Die betriebsfremde Nutzung von Bedienelementen oder Reglern oder die Durchführung von Verfahren, die nicht im vorliegenden Handbuch angegeben sind, kann zu einer gefährlichen Laserstrahlungsbelastung führen.

Vermeiden Sie es, direkt in den Laserstrahl oder dessen Spiegelung auf irgendeiner reflektierenden Oberfläche zu schauen. Unsichtbare Laserstrahlung kann freigesetzt werden, wenn die Einheit offen ist und die Sicherheitsverriegelungen nicht mehr intakt sind.

TURMMONTAGE

VORSICHT



Entfernen Sie den Transportblock aus Schaumstoff von der Wagnervorrichtung, bevor Sie den LF 6600 einschalten.

Überprüfen Sie vor der Installation, ob das Gerätegehäuse ganz waagrecht ist.

VORSICHT



Der LF 6600 darf nur in senkrechter Stellung (Kippwinkel = Null Grad) betrieben werden.

WARNUNG



Das Gewicht des LF 6600 auf der ausgefahrenen Bodenplattform kann u.U. dazu führen, daß das Gerätegehäuse das Gleichgewicht verliert. Bevor Sie fortfahren, stellen Sie sicher, daß das Gehäuse sachgerecht befestigt ist. Fahren Sie nicht mehr als ein Laufwerk gleichzeitig heraus (vgl. Abbildung 19).

- 3) Lassen Sie das LF 6600-Gehäuse auf die ausgefahrene Gleitplattform herunter, so daß die drei M4-Schraubenköpfe unten am Gehäuse in die drei Richtlöcher auf der Gleitplattform passen (vgl. Abbildung 20).

WARNUNG



Zum Anheben und Transportieren des LF 6600 sind zwei Personen erforderlich. Der Versuch, den LF 6600 ohne Hilfe einer zweiten Person anzuheben oder zu transportieren, kann zu Personenverletzungen führen.

Installieren Sie die drei M4-Schrauben waagrecht durch das senkrechte Ende der Gleitschiene, um die Rückseite des Laufwerks zu befestigen, und ziehen Sie die Schrauben an (vgl. Abbildung 20). Installieren Sie zwei M4-Schrauben durch das Unterteil des Gehäuses, um den Vorderteil des LF 6600 zu befestigen, und ziehen Sie die Schrauben an.

ANSCHLUß DES NETZKABELS

So schließen Sie das Netzkabel an den LF 6600 an:

- 1) Stellen Sie sicher, daß ein Wechselstromkabel zur Installation bereitliegt. Die Art des zu installierenden Wechselstromkabels hängt von der Einbaustelle ab.

VORSICHT



Der LF 6600 muß an ein Stromverteilersystem angeschlossen sein, das eine direkte Verbindung zur Erdung hat (Netzwerk mit abgeschlossener Erde (TT, Terminated Terra)/geerdet). Diese Einheit ist nicht zur Nutzung auf einer erdfreien Masse (Netzwerk mit unterbrochener Erde (IT, Interrupted Terra)) geeignet.

ANSCHLUSSÜBERPRÜFUNG

Prüfen Sie folgende Punkte, bevor Sie das System einschalten:

- 1) Überprüfen Sie, ob ein ordnungsgemäßer Abschluß am Hostadapter, falls zutreffend, vorhanden ist.
- 2) Überprüfen Sie, ob ein ordnungsgemäßer Abschluß am letzten LF 6600 am Bus, falls zutreffend, vorhanden ist.

VORSICHT



Stellen Sie sicher, daß der Transportblock aus Schaumstoff von der Wagenvorrichtung entfernt wurde, bevor der LF 6600 eingeschaltet wird.

Einschaltverfahren finden Sie in Abschnitt 5 des vorliegenden Handbuchs.

ABBAU DER GESTELLMONTAGENKONFIGURATION

So bauen Sie die LF 6600-Gestellmontagenkonfiguration ab:

- 1) Entfernen Sie die Verkleidungsplatte des Gehäuses, indem Sie die Platte oben festhalten und nach außen ziehen. Dieser Vorgang befreit die Kugelbolzen aus den Ankerlöchern (vgl. Abbildung 25).
- 2) Entfernen Sie den rechten und linken seitlichen Stützwinkel, der das Gehäuse an die angrenzende Gehäuseschiene befestigt, indem Sie zwei M4-Schrauben und optionale Abstandsschellen lösen (vgl. Abbildung 24). Entfernen Sie alle anderen Befestigungsteile, die den Stützwinkel an die Schiene befestigen.
- 3) Heben Sie die Gleit auslöser an und ziehen Sie den LF 6600 so weit wie möglich aus dem Gehäuse heraus (vgl. Abbildung 32).

WARNUNG



Wenn zwei Laufwerke im Gestell installiert sind, stellen Sie sicher, daß jeweils nur ein Laufwerk herausgezogen wird.

WARNUNG



Zum Anheben und Transportieren des LF 6600 sind zwei Personen erforderlich. Der Versuch, den LF 6600 ohne Hilfe einer zweiten Person anzuheben oder zu transportieren, kann zu Personenverletzungen führen.

EINSTELLEN DIE "DEVICE ID"

HINWEIS

Schalten Sie das Laufwerk nach Rücksetzung der Geräteerkennung aus, warten Sie 1 Sekunde und schalten Sie das Laufwerk dann wieder ein. Dies stellt sicher, daß die neue Geräteerkennung vom SCSI-Bus anerkannt wird.

EINSTELLEN DIE "READ OPTION"

VORSICHT



Die Option "Read ahead" ist systemabhängig. Setzen Sie sich mit Ihrem Systemanalytiker in Verbindung, bevor Sie diese Option einstellen.

ANZEIGEN DER DIAGNOSEERGEBNISSE ODER DURCHFÜHREN VON DIAGNOSEVERFAHREN

VORSICHT



Da die Initialisierungsvariablen nicht wiederhergestellt werden können, nachdem sie gelöscht wurden, sollte dieser Vorgang nur von einem ausgebildeten Ingenieur des Kundendienstes durchgeführt werden.

EINSTELLEN DER INTERNEN LAUFWERKSSERIENNUMMER ("SERIENNR. EINSTELLEN")

HINWEIS

Die Seriennummer, die dem Laufwerk zugeordnet wird, muß mit den letzten 5 Ziffern der tatsächlichen Seriennummer des Laufwerks übereinstimmen, damit eine exakte interne Ereignisprotokollierung stattfinden kann. Die tatsächliche Seriennummer des Laufwerks befindet sich an der Rückseite des Laufwerksgehäuses.

HANDHABUNG VON DATENTRÄGERKASSETTEN

Achten Sie bei der Handhabung und Lagerung von Datenträgerkassetten auf die folgenden Vorsichtsmaßnahmen, um die Datenintegrität zu sichern.

- 1) Die Datenträgerkassette niemals auf harte Flächen fallen lassen.
- 2) Das Kassettengehäuse oder den Zugriffsmechanismus nicht mißbrauchen.
- 3) Die Datenträgerkassette nicht im Laufwerk lagern.
- 4) Die Kassetten vor einem Transport aus dem Laufwerk entfernen.
- 5) Etiketten nur an den vorgesehenen Stellen anbringen. Anweisungen zum Anbringen von Etiketten befinden sich in Abschnitt 5.4.2.
- 6) Die Datenträgerkassette vor direkter Sonneneinstrahlung und Kondensation schützen.

VORSICHT



Zur Vermeidung einer Beschädigung der Datenträger wird dringendst empfohlen, die in der Spezifikation für LM 6000-Datenträger (Bestellnr. 97647044) angegebenen Umgebungsbeschränkungen sorgfältig zu beachten.

- 7) Die Datenträgerkassette nicht extremen Temperaturen aussetzen.
- 8) Die Datenträgerkassette eine Stunde vor Gebrauch auf den angegebenen Betriebstemperaturbereich stabilisieren.
- 9) Die Zugangsabdeckung des Datenträgers nicht öffnen.
- 10) Die Plattenoberfläche nicht durch die Zugangsabdeckung berühren.
- 11) Die Magnetplatte nicht aus der Kassette herausnehmen.
- 12) Die Datenträgerkassetten in einer sauberen Büroumgebung benutzen, handhaben und lagern.
- 13) Während der Handhabung von Datenträgern nicht rauchen. Asche und Tabak sind eine Hauptquelle für die Verunreinigung von Magnetplatten. Alle Rauchutensilien sind aus den Bereichen fernzuhalten, in denen Datenträger benutzt oder gelagert werden.
- 14) Die Außenflächen der Kassetten sauber halten. Die Kassetten regelmäßig mit einem weichen, trockenen, fusselreien Tuch reinigen.

Weitere Informationen zur Pflege und Handhabung von Datenträgern finden Sie in der Spezifikation für den LM 6000-Datenträger (Bestellnr. 97647044).

VORSICHT



Wenn die Luftfilter nicht sauber gehalten werden, wird möglicherweise der Luftstrom durch das Laufwerk reduziert. Dies kann zu erhöhten Temperaturen im LF 6600 und dadurch zu einer Beschädigung des LF 6600 führen.

AUSWECHSELN VON SICHERUNGEN

Wie in Abschnitt 2.6. des vorliegenden Handbuchs dargestellt, sind zwei Sicherungen und zwei Ersatzsicherungen in die Netzbuchse an der Geräterückseite des LF 6600 eingebaut (vgl. Abbildung 53). Wenn sich das Laufwerk nicht einschalten läßt, könnte eine oder beide Sicherungen durchgebrannt sein.

So tauschen Sie eine durchgebrannte Sicherung gegen eine Ersatzsicherung aus:

- 1) Stellen Sie den Wechselstromschalter des Laufwerks auf AUS (0), und ziehen Sie das Netzkabel ab.
- 2) Fügen Sie einen kleinen Flachschaubenzieher zwischen dem Sicherungshalter und dem Gehäuse der Buchse ein.
- 3) Öffnen Sie den Sicherungshalter vorsichtig. Ziehen Sie den Sicherungshalter aus der Buchse heraus und überprüfen Sie die aktive Sicherung, um festzustellen, ob sie durchgebrannt ist. Wenn die Sicherung durchgebrannt ist, fahren Sie mit Schritt 4) fort, ansonsten mit Schritt 5).
- 4) Entfernen Sie die aktive Sicherung und entsorgen Sie sie. Nehmen Sie die Ersatzsicherung aus deren Aufbewahrungsort und fügen Sie die Sicherung zwischen dem Sicherungsgehäuse und der Halteklammer ein.
- 5) Installieren Sie den Sicherungshalter wieder in der Buchse; schieben Sie dabei den Halter in die Buchse, bis der Halter bündig auf das Gehäuse der Buchse ausgerichtet ist.
- 6) Einschaltverfahren finden Sie in Abschnitt 5.2.
- 7) Wenn die Stromversorgung nicht wiederhergestellt wird, prüfen Sie die andere Sicherung.

WARNUNG



Sollte eine Ersatzsicherung unmittelbar nach dem Ersetzen der Originalsicherung entfallen, dürfen Sie diese Sicherung {U}nicht{D} mehr ersetzen.

Wenden Sie sich an die nächste Stufe technischer Unterstützung. Dies könnte das Symptom eines schwerwiegenderen Problems sein, das entweder am Netzteil des Laufwerks oder in der Stromversorgung liegt.

So reinigen Sie die Magnetplatte:

- 1) Befeuchten Sie ein Tuch mit einem Glasreiniger.
- 2) Halten Sie die Datenträgerkassette mit einer Hand.
- 3) Ziehen Sie den Türhebel mit dem Zeigefinger Ihrer anderen Hand nach unten. Beachten Sie, welche Seite (A oder B) Sie reinigen.
- 4) Halten Sie die Kassettentür an der Oberkante offen, und installieren Sie die Haltevorrichtung, um die Tür offen zu halten.

- 5) Halten Sie die Kassettenklappe geöffnet, während Sie die Datenträgerplatte drehen und reinigen.
- 6) Wischen Sie die Plattenoberfläche mit einem fusselfreien Tuch (das mit Glasreiniger befeuchtet wurde) ab, beginnen Sie dabei in der Mitte und arbeiten Sie sich an den äußeren Rand vor. Nur der Teil der Oberfläche, der bei geöffneter Kassettenklappe sichtbar ist, kann bei jedem Durchgang gereinigt werden. Achten Sie darauf, daß alle Teile der Platte gereinigt werden.

VORSICHT



Üben Sie beim Reinigen nur einen leichten Druck aus. Ein zu starker Druck kann dazu führen, daß sich der vorhandene Staub in die Datenträgerplatte einfrißt und deren Oberfläche zerkratzt. Kratzer können dazu führen, daß die Datenträgerplatte nicht mehr gelesen oder beschrieben werden kann.



Free Manuals Download Website

<http://myh66.com>

<http://usermanuals.us>

<http://www.somanuals.com>

<http://www.4manuals.cc>

<http://www.manual-lib.com>

<http://www.404manual.com>

<http://www.luxmanual.com>

<http://aubethermostatmanual.com>

Golf course search by state

<http://golfingnear.com>

Email search by domain

<http://emailbydomain.com>

Auto manuals search

<http://auto.somanuals.com>

TV manuals search

<http://tv.somanuals.com>