

Register your product and get support at  
[www.philips.com/welcome](http://www.philips.com/welcome)

Bluetooth Headset

SHB1400



---

EN User manual

---

**PHILIPS**



# Contents

<b>1</b>	<b>Welcome</b>	<b>4</b>
<b>2</b>	<b>Important</b>	<b>5</b>
	Hearing Safety	5
	Electric-, Magnetic- and Electromagnetic Fields (EMF)	5
	General information	5
	Disposal of your old product	5
	Battery disposal	5
	Notice for the European Union	5
	Trademarks	5
<b>3</b>	<b>What's in the box</b>	<b>6</b>
	Compatibility	6
<b>4</b>	<b>Overview of the headset</b>	<b>7</b>
<b>5</b>	<b>Get started</b>	<b>8</b>
	Charge the headset	8
	Pair the headset with your mobile phone	8
<b>6</b>	<b>Fit your headset</b>	<b>9</b>
<b>7</b>	<b>Use the headset</b>	<b>10</b>
	Connect the headset to a mobile phone	10
	Automatic power saving	10
	Control your calls	10
	Manage 3-way calls	10
	LED and sound indication	10
<b>8</b>	<b>Product information</b>	<b>11</b>
<b>9</b>	<b>Frequently asked questions</b>	<b>12</b>
	Bluetooth headset does not switch on.	12
	No connection to a mobile phone.	12
	Pairing does not work.	12
	The mobile phone cannot find the headset.	12
	Voice dialing or redialing does not work.	12
	The other side cannot hear me, and I hear a beep noise every couple of seconds.	12
	Audio quality is poor and crackling noises can be heard.	12

# 1 Welcome

With the Philips Bluetooth headset SHB1400, you can enjoy convenient wireless handsfree call. Soft, ergonomically designed ear bud provides all-day wearing comfort and you can simply re-charge your headset on your computer or with a USB charger. Spend a few minutes to learn more about your headset to enjoy your Philips Bluetooth headset to its fullest.

## 2 Important

### Hearing Safety



#### Danger

- To avoid hearing damage, limit the time you use the headphones at high volume and set the volume to a safe level. The louder the volume, the shorter is the safe listening time.

#### Be sure to observe the following guidelines when using your headphones.

- Listen at reasonable volumes for reasonable periods of time.
- Be careful not to adjust the volume continuously upwards as your hearing adapts.
- Do not turn up the volume so high that you can't hear what's around you.
- You should use caution or temporarily discontinue use in potentially hazardous situations.
- Excessive sound pressure from earphones and headphones can cause hearing loss.
- You should use caution or temporarily discontinue use in potentially hazardous situations.
- For your safety, avoid distractions from phone calls while in traffic or other potentially dangerous environments.

### Electric-, Magnetic- and Electromagnetic Fields (EMF)

1. Royal Philips Electronics manufactures and sells many products targeted at consumers, which, like any electronic apparatus, in general have the ability to emit and receive electromagnetic signals.
2. One of Philips' leading Business Principles is to take all necessary health and safety measures for our products, to comply with all applicable legal requirements and to stay well within the EMF standards applicable at the time of producing products.
3. Philips is committed to develop, produce and market products that cause no adverse health effects.
4. Philips confirms that if its products are handled properly for their intended use, they are safe to use according to scientific evidence available today.
5. Philips plays an active role in the development of international EMF and safety standards, enabling Philips to anticipate further developments in standardization for early integration in its products.

### General information

#### To avoid damage or malfunction:

- Do not expose the headset to excessive heat.
- Do not drop your headset.
- Apparatus shall not be exposed to dripping or splashing.
- Do not allow your headset to be submerged in water.
- Do not use any cleaning agents containing alcohol, ammonia, benzene, or abrasives.
- If cleaning is required use a soft cloth, if necessary dampened with a minimum amount of water or diluted mild soap, to clean the product.

#### About operating and storage temperatures

- Do not operate or store in a place where temperature is below  $-15^{\circ}\text{C}$  ( $5^{\circ}\text{F}$ ) or above  $55^{\circ}\text{C}$  ( $131^{\circ}\text{F}$ ) as this may shorten your battery life.
- The integrated battery shall not be exposed to excessive heat such as sunshine, fire or the like.

### Disposal of your old product

Your product is designed and manufactured with high quality materials and components, which can be recycled and reused.



When this crossed-out wheeled bin symbol is attached to a product it means that the product is covered by the European Directive 2002/96/EC.

Please inform yourself about the local separate collection system for electrical and electronic products.

Please act according to your local rules and do not dispose of your old products with your normal household waste. Correct disposal of your old product helps to prevent potential negative consequences for the environment and human health.

### Battery disposal

Your product contains batteries covered by the European Directive 2006/66/EC, which cannot be disposed with normal household waste.

Please inform yourself about the local rules on separate collection of batteries because correct disposal helps to prevent negative consequences for the environmental and human health.

### Notice for the European Union

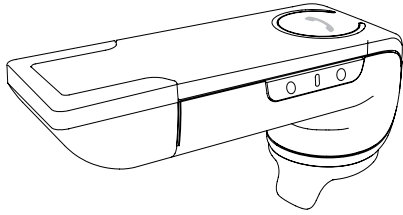


Hereby, Philips Consumer Lifestyle, BU P&A, declares that this Philips Bluetooth headset SHB1400 is in compliance with the essential requirements and other relevant provisions of Directive 1999/5/EC. This product has been designed, tested and manufactured according to the European R&TTE Directive 1999/5/EC.

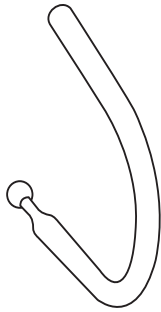
### Trademarks

Trademarks are the property of Koninklijke Philips Electronics N.V. or their respective owners. The Bluetooth word mark and logos are owned by the Bluetooth SIG, Inc. and any use of such marks by Koninklijke Philips Electronics N.V. is under license.

## 3 What's in the box



- Philips Bluetooth headset SHB1400



- Earhook



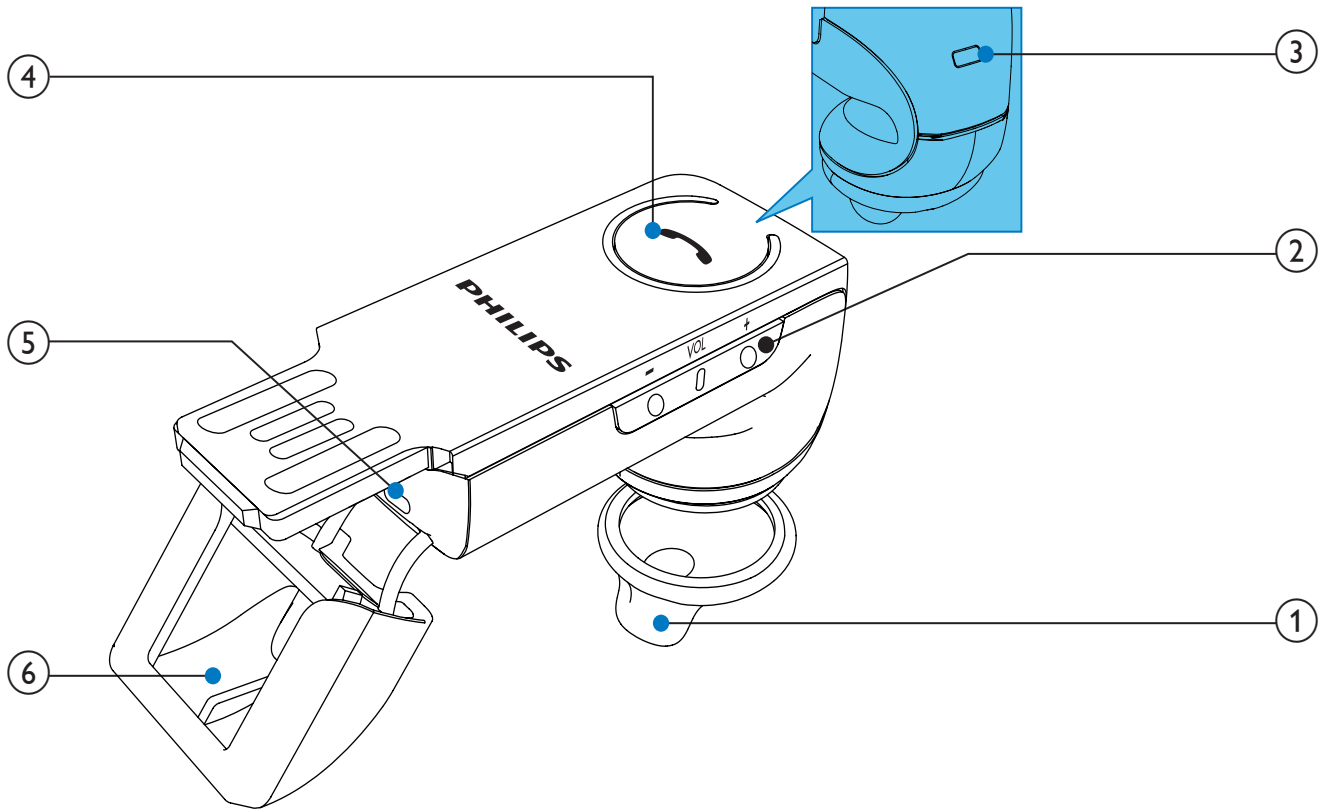
- Quick Start Guide

---

## Compatibility

Your headset is compatible with Bluetooth enabled mobile phones. It features Bluetooth version 2.1+EDR but will also work with devices featuring other Bluetooth versions that support the Headset (HSP) or Handsfree (HFP) Bluetooth profile.

## 4 Overview of the headset



- ① Ear cap
- ② VOL -/VOL +: Volume button
- ③ LED
- ④ C: Function button
- ⑤ Mic
- ⑥ USB cap

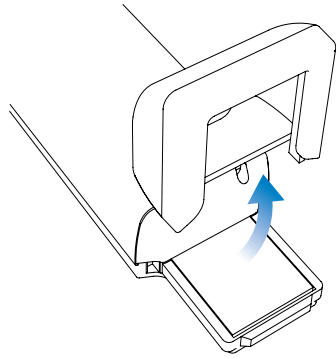
# 5 Get started

## Charge the headset

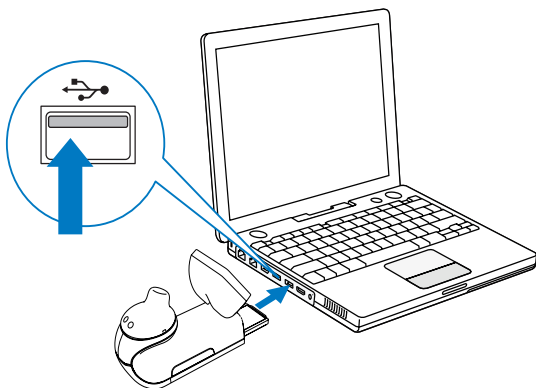
### Note

- Finish your call before charging the headset, as connecting the headset for charging will power off the unit.
- During charging, you can operate the headset normally.

- 1 Remove the USB cap.



- 2 Plug the headset into a powered USB port on a PC or into a power adaptor with USB outlet.



- ↳ During charging, the LED turns red. The LED turns off when the headset is fully charged.

### Tip

- Typically, a full charge takes 2 hours.

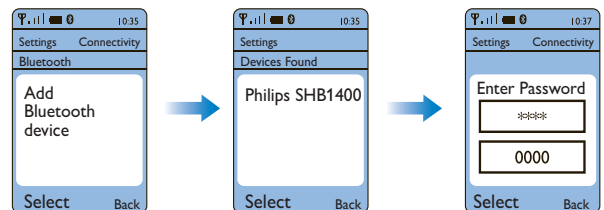
## Pair the headset with your mobile phone

Before you use the headset with a mobile phone for the first time, pair it with the mobile phone. A successful pairing establishes a unique encrypted link between the headset and the mobile phone. The headset stores the last eight links in the memory. If you try to pair more than eight devices, the link for the earliest paired device is overwritten.

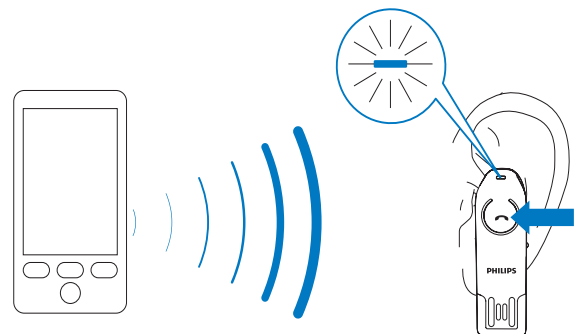
- 1 Ensure that the headset is charged and turned off.
- 2 Ensure that the mobile phone is turned on and its Bluetooth feature is activated.
- 3 Press **C** until the LED starts flashing **red** and **blue** alternately. Do not stop pressing the button after seeing the blue LED only.  
↳ The headset is in pairing mode, which lasts five minutes.
- 4 Pair the headset with the mobile phone. For details, refer to the user manual of the mobile phone.

A sample pairing is shown below.

- 1 Under Bluetooth menu on the mobile phone, search for the headset.
- 2 From the found devices, select **Philips SHB1400**.
  - Enter "0000" (4 zeros), if prompted to enter the pin code of the headset. On mobile phones using Bluetooth 2.1+EDR or higher, you may not need to enter a pass code.



- ↳ When the pairing is successful, a long beep occurs and the LED on the headset starts to flash blue every 3 seconds.





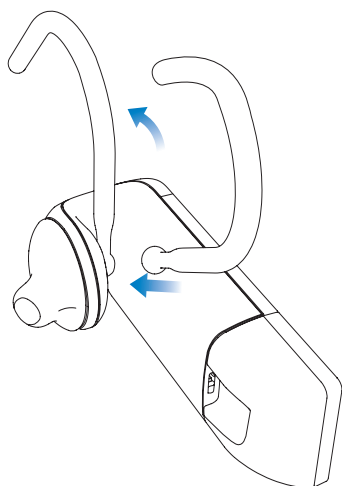
## 6 Fit your headset

- 1 Place the earbud in your ear and rotate the headset upwards or downwards until it fits your ear securely.



### Optional (with an earhook)

For an extra-secure fit, you can attach the earhook: Push the ball joint between the earbud and the main body of the headset.



# 7 Use the headset

## Connect the headset to a mobile phone

- 1 With the mobile phone turned on, press **⏻** until the LED lights up, to turn on the headset.
  - ↳ Once turned on, the headset reconnects automatically to the last device it was connected to.
  - ↳ If the last connected device is not available, the headset tries to reconnect to the second to last device that was connected to the headset. If it cannot find this device, it will look for all previously paired devices in the order of last usage, until it finds a device to connect to. The headset stores up to 8 previously paired devices.

If you turn on the mobile phone or its Bluetooth feature **after** turning on the headset, connect the headset from your mobile phone's Bluetooth menu.

## Automatic power saving

If the headset cannot find any Bluetooth device to connect to in range within five minutes, it automatically powers down to save battery life.

## Control your calls

Turn the headset on/off	Press <b>⏻</b> until the LED turns on/off.
Check battery	Hold <b>VOL +</b> and <b>VOL -</b> simultaneously. > 50%: 1 blue flash < 50%: 2 red flashes < 25%: 3 red flashes
Pick up/end a call	Press <b>⏻</b> .
Adjust Volume	Press <b>VOL +/VOL -</b> .
Redial the last number	Press <b>⏻</b> twice quickly.
Reject a call	Hold <b>⏻</b> .
Activate voice dialing	Hold <b>⏻</b> until beep occurs.
Transfer a call to a mobile phone	Hold <b>⏻</b> during a call.
Mute the Mic	Press <b>⏻</b> twice quickly during a call.

## Manage 3-way calls

If your mobile phone and network operator support 3-way-calls, you can manage 3-way-calls via the headset.

To hold the active call and accept a waiting call	Press <b>⏻</b> while the 2nd call is coming in.
To drop the active call and accept a waiting call	Hold <b>⏻</b> while the 2nd call is coming in.
To swap the active call and the call on hold	Press <b>⏻</b> during a call.
To drop the active call and accept the call on hold	Hold <b>⏻</b> until a beep sound occurs.
To drop the call on hold	Press <b>⏻</b> and <b>VOL -</b> until a beep sound occurs.
To add the call on hold to an active call	Press <b>⏻</b> and <b>VOL +</b> until a beep sound occurs.

## LED and sound indication

The red/blue LED flashes alternately.	The headset is ready for pairing.
The blue LED flashes once every 3 seconds.	The headset is connected to the phone.
The red LED flashes twice every 3 seconds.	The headset is not connected.
The blue LED flashes once every half a second.	There is an incoming/outgoing call.
The blue LED flashes once every second.	The headset is active on a call.
The red LED flashes three times and beeps twice every minute.	The battery is low in power.
Solid red LED	The headset is charging.
The LED is off.	The headset is off./Charging is finished.
The headset beeps every 5 seconds	The Mic is muted.

## 8 Product information

- Direct USB charging
- Talk time: Up to 7 hours
- Standby time: Up to 150 hours
- Typical time for a full charge: 2 hours
- Rechargeable Lithium-Polymer battery (78 mAh)
- Bluetooth 2.1+EDR, HSP – Headset Profile 1.1, HFP Hands-Free Profile 1.5
- Operating range: Up to 10 meters (33 feet)
- Auto power off
- Battery status check
- Supports Voice Dial, Redial, 3-way call support, Mic Mute

Specifications are subject to change without notice.

## 9 Frequently asked questions

---

### Bluetooth headset does not switch on.

**Battery is low.**

- Charge the headset.

---

### No connection to a mobile phone.

**Bluetooth disabled.**

- Enable the Bluetooth feature on your mobile phone and turn on the mobile phone **before** you turn on the headset.

---

### Pairing does not work.

**The headset is not in pairing mode.**

- Follow the steps described in this user manual.
- Ensure that you see the LED light flashes **red** and **blue** alternately before you release the **⏻** button. Do not stop pressing the button after seeing the blue LED only.

---

### The mobile phone cannot find the headset.

**The headset may be connected to another previously paired device.**

- Turn the currently connected device off or move it out of range.

**Pairings may have been reset or headset has been previously paired with other device.**

- Pair the headset with the mobile phone again as described in the user manual.

---

### Voice dialing or redialing does not work.

Your mobile phone may not support this feature.

---

### The other side cannot hear me, and I hear a beep noise every couple of seconds.

**The microphone is muted.**

- Quickly press **⏻** twice to enable the microphone.

---

### Audio quality is poor and crackling noises can be heard.

**Bluetooth audio source is out of range.**

- Reduce the distance between the headset and the Bluetooth audio source, or remove obstacles between them. It can help to wear the mobile phone on the same side as your headset, if you are wearing it in your pockets

**The earbud is not positioned correctly.**

- Ensure that you position the earbud as described in this user manual, with the sound tube pointing slightly upward. Then, rotate the headset in your ear while slightly pressing against it, until it fits securely.
- Try the earhook for added stability.



## Free Manuals Download Website

<http://myh66.com>

<http://usermanuals.us>

<http://www.somanuals.com>

<http://www.4manuals.cc>

<http://www.manual-lib.com>

<http://www.404manual.com>

<http://www.luxmanual.com>

<http://aubethermostatmanual.com>

Golf course search by state

<http://golfingnear.com>

Email search by domain

<http://emailbydomain.com>

Auto manuals search

<http://auto.somanuals.com>

TV manuals search

<http://tv.somanuals.com>