



3500 Pelco Way,
Clovis, CA 93612-5699
USA

In North America & Canada:
Tel (800) 289-9100
FAX (800) 289-9150

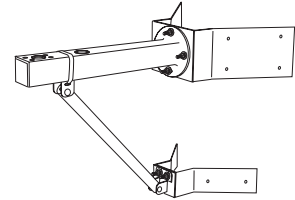
International Customers:
Tel (1-559) 292-1981
FAX (1-559) 348-1120

www.pelco.com



CAUTION: Make certain the mounting surface is capable of supporting the full load of the corner mount adapter(s) and all components to be attached.

C235M-B (5/99) CM100/SCM100 Corner Mount Adapters



IMPORTANT SAFEGUARDS AND WARNINGS

Prior to installation and use of this product, the following WARNINGS should be observed.

1. Installation and servicing should be done by qualified installation and service personnel only.
2. Installation should be done according to all local and national electrical and mechanical codes, using only approved materials.
3. Use only installation methods and materials capable of supporting four times the maximum weight of the equipment to be mounted.
4. Use stainless steel hardware to fasten the corner mount adapter to outdoor surfaces.
5. To prevent damage from water leakage when installing a corner mount adapter outdoors, apply sealant around the bolt holes between the mount adapter and the mounting surface.

The product and/or manual may bear the following marks:



This symbol indicates that there are important operating and maintenance instructions in the literature accompanying this unit.

Please thoroughly familiarize yourself with the information in this manual prior to installation and operation.

DESCRIPTION

The CM100 corner mount adapter allows the WM2000 wall mount to be attached to the corner of a structure. The SCM100 corner mount adapter is used in conjunction with the ST1 support strut when additional support for the WM2000 is required. The CM100, when used with the SCM100, will support loads up to 150 pounds (68 kg).

The CM100 and SCM100 are supplied with stainless steel hardware for attaching the WM2000 and ST1 to them. Lightweight, rugged, and easy to install, the CM100 and SCM100 are constructed of aluminum and have a gray polyester powder coat finish.

Models

CM100	Corner mount adapter for use with the WM2000 wall mount
SCM100	Corner mount adapter for use with the ST1 support strut in installations requiring additional support for the WM2000 wall mount.

INSTALLATION

1. Using the CM100 corner mount adapter as a template, drill four holes into each corner surface.
2. Attach the corner mount adapter to the mounting surface with eight stainless steel fasteners (not supplied). To prevent water damage if installed outdoors, seal the bolt holes with appropriate sealant (not supplied). Apply the sealant around the bolt holes between the mount adapter and the mounting surface.
3. Attach the WM2000 to the corner mount adapter with the provided nuts and washers and securely tighten.
4. If you require additional support for the WM2000, install an SCM100 corner mount adapter. Measure 14 inches (36 cm) down from the bottom of the WM2000 and mark the wall. Center the SCM100 on the wall at the mark. Using the SCM100 as a template, drill two holes into each corner surface.
5. Attach the corner mount adapter to the mounting surface with four stainless steel fasteners (not supplied). To prevent water damage if installed outdoors, seal the bolt holes with appropriate sealant (not supplied). Apply the sealant around the bolt holes between the mount adapter and the mounting surface.
6. Attach the wall swivel of the ST1 support strut to the SCM100 with the provided nuts and washers and securely tighten. Attach the ST1 clamp swivel to the WM2000 with the stainless steel clamp (supplied) and securely tighten.

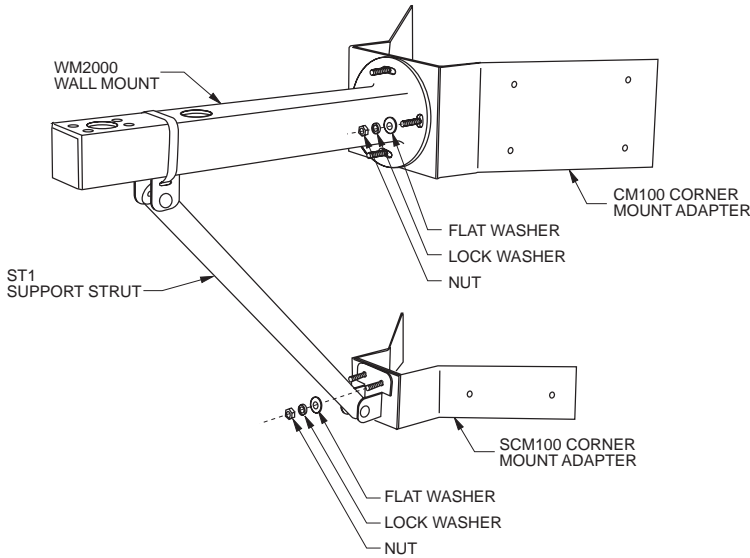
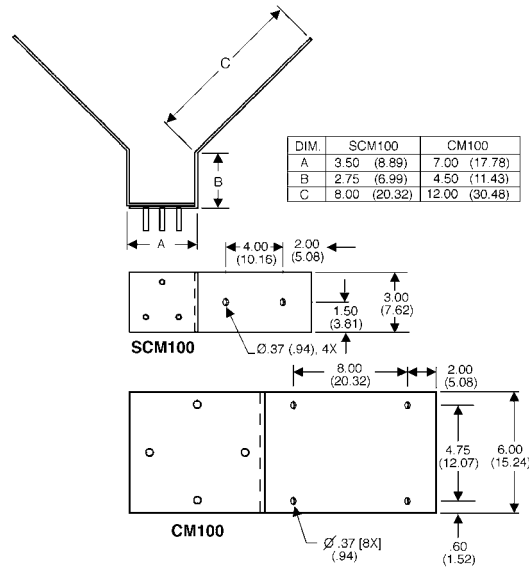


Figure 1. CM100 and SCM100 Corner Mount Adapters

SPECIFICATIONS

Construction: Aluminum
 Finish: Gray polyester powder coat
 Dimensions: See Figure 2
 Maximum Load
 CM100: 75 lb (34 kg)
 CM100 with
 SCM100: 150 lb (68 kg)
 Weight
 CM100: 3.0 lb (1.4 kg)
 SCM100: 1.5 lb (0.6 kg)



NOTE: VALUES IN PARENTHESES ARE CENTIMETERS; ALL OTHERS ARE INCHES

Figure 2. CM100 and SCM100 Dimensions

WARRANTY AND RETURN INFORMATION

WARRANTY

Pelco will repair or replace, without charge, any merchandise proved defective in material or workmanship for a period of one year after the date of shipment. Exceptions to this warranty are as noted below:

- Five years on FT/FR8000 Series fiber optic products.
- Three years on Genex® Series products (multiplexers, server, and keyboard).
- Three years on Camclosure® and fixed camera models, except the CC3701H-2, CC3701H-2X, CC3751H-2, CC3651H-2X, MC3651H-2, and MC3651H-2X camera models, which have a five-year warranty.
- Two years on standard motorized or fixed focal length lenses.
- Two years on Legacy®, CM6700/CM6800/CM9700 Series matrix, and DF5/DF8 Series fixed dome products.
- Two years on Spectra®, Esprit®, ExSite™, and PS20 scanners, including when used in continuous motion applications.
- Two years on Esprit® and WW5700 Series window wiper (excluding wiper blades).
- Eighteen months on DX Series digital video recorders, NVR300 Series network video recorders, and Endura™ Series distributed network-based video products. months on DX Series digital video recorders, NVR300 Series network video recorders, Endura™ Series distributed network-based video products, and TW3000 Series twisted pair transmission products.
- One year (except video heads) on video cassette recorders (VCRs). Video heads will be covered for a period of six months.
- Six months on all pan and tilts, scanners or preset lenses used in continuous motion applications (that is, preset scan, tour and auto scan modes).

Pelco will warrant all replacement parts and repairs for 90 days from the date of Pelco shipment. All goods requiring warranty repair shall be sent freight prepaid to Pelco, Clovis, California. Repairs made necessary by reason of misuse, alteration, normal wear, or accident are not covered under this warranty.

Pelco assumes no risk and shall be subject to no liability for damages or loss resulting from the specific use or application made of the Products. Pelco's liability for any claim, whether based on breach of contract, negligence, infringement of any rights of any party or product liability, relating to the Products shall not exceed the price paid by the Dealer to Pelco for such Products. In no event will Pelco be liable for any special, incidental or consequential damages (including loss of use, loss of profit and claims of third parties) however caused, whether by the negligence of Pelco or otherwise.

The above warranty provides the Dealer with specific legal rights. The Dealer may also have additional rights, which are subject to variation from state to state.

If a warranty repair is required, the Dealer must contact Pelco at (800) 289-9100 or (559) 292-1981 to obtain a Repair Authorization number (RA), and provide the following information:

1. Model and serial number
2. Date of shipment, P.O. number, Sales Order number, or Pelco invoice number
3. Details of the defect or problem

If there is a dispute regarding the warranty of a product which does not fall under the warranty conditions stated above, please include a written explanation with the product when returned.

Method of return shipment shall be the same or equal to the method by which the item was received by Pelco.

RETURNS

In order to expedite parts returned to the factory for repair or credit, please call the factory at (800) 289-9100 or (559) 292-1981 to obtain an authorization number (CA number if returned for credit, and RA number if returned for repair).

All merchandise returned for credit may be subject to a 20% restocking and refurbishing charge.

Goods returned for repair or credit should be clearly identified with the assigned CA or RA number and freight should be prepaid. Ship to the appropriate address below.

If you are located within the continental U.S., Alaska, Hawaii or Puerto Rico, send goods to:

Service Department
 Pelco
 3500 Pelco Way
 Clovis, CA 93612-5699

If you are located outside the continental U.S., Alaska, Hawaii or Puerto Rico and are instructed to return goods to the USA, you may do one of the following:

If the goods are to be sent by a COURIER SERVICE, send the goods to:

Pelco
 3500 Pelco Way
 Clovis, CA 93612-5699 USA

If the goods are to be sent by a FREIGHT FORWARDER, send the goods to:

Pelco c/o Expeditors
 473 Eccles Avenue
 South San Francisco, CA 94080 USA
 Phone: 650-737-1700
 Fax: 650-737-0933

REVISION HISTORY

Manual #	Date	Comments
C235M-B	5/99	Revised manual to new format. Revised installation instructions. Added Figure 1. Modified Figure 2. Revised specifications.

Free Manuals Download Website

<http://myh66.com>

<http://usermanuals.us>

<http://www.somanuals.com>

<http://www.4manuals.cc>

<http://www.manual-lib.com>

<http://www.404manual.com>

<http://www.luxmanual.com>

<http://aubethermostatmanual.com>

Golf course search by state

<http://golfingnear.com>

Email search by domain

<http://emailbydomain.com>

Auto manuals search

<http://auto.somanuals.com>

TV manuals search

<http://tv.somanuals.com>