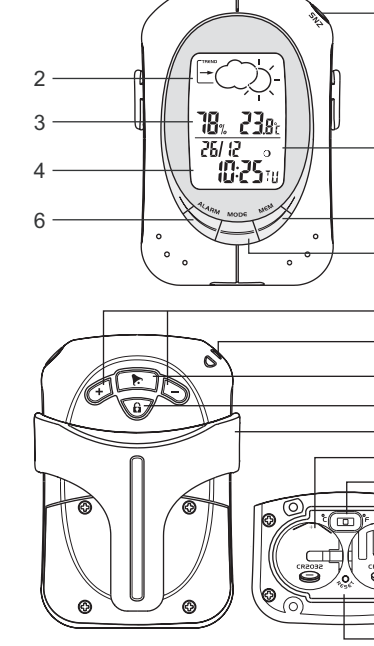




Handheld Weather Station

Model: EB313HGN
USER MANUAL

PRODUCT OVERVIEW



1. SNOOZE / LIGHT button
2. Weather Forecast & Barometric Trend Area
3. Temperature & Humidity Area
4. Clock / Alarm Area
5. Moon Phase
6. ALARM: view alarm status; set alarm
7. MEM: view current, maximum and minimum temperature / humidity readings
8. MODE: change display / settings
9. + and - : increase or decrease setting
10. Strap hole
11. enable / disable alarm
12. lock button
13. Table stand / Belt clip
14. Battery compartment
15. °C / °F switch
16. RESET hole

GETTING STARTED

BATTERIES

This unit operates with 2 x CR2032 batteries. Insert batteries before first use. Match the polarity as shown in the battery compartment.

NOTE shows the batteries are low.

TABLE STAND OR BELT CLIP

You can wear the belt clip on your belt or use it as a stand. To use the belt clip as a stand, remove the belt clip from the back of the monitor. Insert the left or right side of the clip into the lower part of the slot then snap the other side of the clip into the other slot.

TEMPERATURE AND HUMIDITY

This product can display current, minimum, and maximum temperatures and humidity percentage information.

SELECT TEMPERATURE UNIT

Slide the °C / °F switch into the desired location. The switch is located inside the battery compartment.

CLOCK

This product shows the current time, and day-of-week in English, French, German, Italian, or Spanish.

SET CLOCK

1. Press and hold **MODE** for 2 seconds. The Clock Area will blink.
2. Select the hour, minute, year, month, day, and language. Press + or - to change the setting. Press **MODE** to confirm.

NOTE

The language options are (E) English, (F) French, (D) German, (I) Italian, and (S) Spanish.

SWITCH CLOCK DISPLAY

Press **MODE** to toggle between Clock with Seconds and Clock with Weekday display.

ALARMS

This product is equipped with a 2-minute alarm.

VIEW ALARM SETTINGS

Press **ALARM**. The Alarm Time and (L) icon will show in the Clock Area.

SET ALARM

1. Press **ALARM** to switch to Alarm display.
2. Press and hold **ALARM** again for 2 seconds. The Alarm settings will blink.
3. Select the hour and minute. Press + or - to change settings. Press **ALARM** to confirm.

ACTIVATE ALARM

Press to activate or deactivate the Alarm. shows in the Clock / Alarm Area when the Alarm is activated.

SILENCE ALARM

When the Alarm time is reached, the alarm will sound for 2 minutes. Press **SNOOZE / LIGHT** to silence it for 8 minutes. Or, press to turn it off until the next day.

If no button is pressed, the Alarm will automatically silence after 2 minutes. It will then sound again after 8 minutes.

BAROMETER

This product tracks barometric pressure changes over the past 24 hours to provide the weather forecast and a trend line showing the direction of barometric change.

BAROMETRIC TREND

TREND	DESCRIPTION
	Rising
	Steady
	Falling

WEATHER FORECAST

This product forecasts the next 12 to 24 hours of weather within a 30-50 km (19-31 mile) radius with 70 to 75 percent accuracy. The weather forecast is always displayed.

CLEAR	PARTLY CLOUDY	CLOUDY	RAINY	SEVERE WEATHER

TEMPERATURE AND HUMIDITY

This product can display current, minimum, and maximum temperatures and humidity percentage information.

SELECT TEMPERATURE UNIT

Slide the °C / °F switch into the desired location. The switch is located inside the battery compartment.

CLOCK

Clock display	HH:MM:SS
Hour format	24hr

MOON PHASE

The Calendar must be set for this feature to work. Press + or - to view the moon phase for the next or previous day. Press and hold + or - to scan quickly through the years (2001 to 2099).

	New moon	Full moon

BACKLIGHT

Press **SNOOZE / LIGHT** to activate the backlight.

KEY LOCK

The buttons may be locked to avoid accidental changes. To activate lock, press and hold **LOCK** for two seconds. Repeat the same procedure to unlock buttons.

PRECAUTIONS

This product is engineered to give you years of satisfactory service if you handle it carefully. Here are a few precautions:

- Placement of this product on wood surfaces with certain types of finishes, such as clear varnish, may result in damage to the finish. Consult the furniture manufacturer's care instructions for direction as to the types of objects that may safely be placed on the wood surface. Oregon Scientific shall not be responsible for any damage to wood surfaces from contact with this product.
- Do not immerse the unit in water. If you spill liquid over it, dry it immediately with a soft, lint-free cloth.
- Do not clean the unit with abrasive or corrosive materials.

EU-DECLARATION OF CONFORMITY

Herby, Oregon Scientific, declares that this Handheld Weather Station Model: EB313HGN is in compliance with EMC directive 89/336/CE and LVD directive 73/23/EC. A copy of the signed and dated Declaration of Conformity is available on request via our Oregon Scientific Customer Service.

EU-DECLARATION OF CONFORMITY

This product is engineered to give you years of satisfactory service if you handle it carefully. Here are a few precautions:

- Placement of this product on wood surfaces with certain types of finishes, such as clear varnish, may result in damage to the finish. Consult the furniture manufacturer's care instructions for direction as to the types of objects that may safely be placed on the wood surface. Oregon Scientific shall not be responsible for any damage to wood surfaces from contact with this product.
- Do not immerse the unit in water. If you spill liquid over it, dry it immediately with a soft, lint-free cloth.
- Do not clean the unit with abrasive or corrosive materials.

EU-DECLARATION OF CONFORMITY

Herby, Oregon Scientific, declares that this Handheld Weather Station Model: EB313HGN is in compliance with EMC directive 89/336/CE and LVD directive 73/23/EC. A copy of the signed and dated Declaration of Conformity is available on request via our Oregon Scientific Customer Service.

EU-DECLARATION OF CONFORMITY

Herby, Oregon Scientific, declares that this Handheld Weather Station Model: EB313HGN is in compliance with EMC directive 89/336/CE and LVD directive 73/23/EC. A copy of the signed and dated Declaration of Conformity is available on request via our Oregon Scientific Customer Service.

EU-DECLARATION OF CONFORMITY

Herby, Oregon Scientific, declares that this Handheld Weather Station Model: EB313HGN is in compliance with EMC directive 89/336/CE and LVD directive 73/23/EC. A copy of the signed and dated Declaration of Conformity is available on request via our Oregon Scientific Customer Service.

EU-DECLARATION OF CONFORMITY

Herby, Oregon Scientific, declares that this Handheld Weather Station Model: EB313HGN is in compliance with EMC directive 89/336/CE and LVD directive 73/23/EC. A copy of the signed and dated Declaration of Conformity is available on request via our Oregon Scientific Customer Service.

EU-DECLARATION OF CONFORMITY

Herby, Oregon Scientific, declares that this Handheld Weather Station Model: EB313HGN is in compliance with EMC directive 89/336/CE and LVD directive 73/23/EC. A copy of the signed and dated Declaration of Conformity is available on request via our Oregon Scientific Customer Service.

EU-DECLARATION OF CONFORMITY

Herby, Oregon Scientific, declares that this Handheld Weather Station Model: EB313HGN is in compliance with EMC directive 89/336/CE and LVD directive 73/23/EC. A copy of the signed and dated Declaration of Conformity is available on request via our Oregon Scientific Customer Service.

EU-DECLARATION OF CONFORMITY

Herby, Oregon Scientific, declares that this Handheld Weather Station Model: EB313HGN is in compliance with EMC directive 89/336/CE and LVD directive 73/23/EC. A copy of the signed and dated Declaration of Conformity is available on request via our Oregon Scientific Customer Service.

EU-DECLARATION OF CONFORMITY

Herby, Oregon Scientific, declares that this Handheld Weather Station Model: EB313HGN is in compliance with EMC directive 89/336/CE and LVD directive 73/23/EC. A copy of the signed and dated Declaration of Conformity is available on request via our Oregon Scientific Customer Service.

Calendar	DD/MM; weekday in 5 languages (E, D, F, I, S)
Alarm	2-minute single alarm

POWER

Main unit batteries 2 x CR2032 Lithium batteries

ABOUT OREGON SCIENTIFIC

Visit our website (www.oregonscientific.com) to learn more about Oregon Scientific products such as digital cameras; MP3 players; children's electronic learning products and games; projection clocks; health and fitness gear; weather stations; and digital and conference phones. The website also includes contact information for our Customer Care department in case you need to reach us, as well as frequently asked questions and customer downloads. We hope you will find all the information you need on our website, however if you're in the US and would like to contact the Oregon Scientific Customer Care department directly, please visit:

www.2.oregonscientific.com/service/default.asp

OR: Call 1-800-853-8883.

For international inquiries, please visit: www.2.oregonscientific.com/about/international.asp

EU-DECLARATION OF CONFORMITY

Herby, Oregon Scientific, declares that this Handheld Weather Station Model: EB313HGN is in compliance with EMC directive 89/336/CE and LVD directive 73/23/EC. A copy of the signed and dated Declaration of Conformity is available on request via our Oregon Scientific Customer Service.

EU-DECLARATION OF CONFORMITY

Herby, Oregon Scientific, declares that this Handheld Weather Station Model: EB313HGN is in compliance with EMC directive 89/336/CE and LVD directive 73/23/EC. A copy of the signed and dated Declaration of Conformity is available on request via our Oregon Scientific Customer Service.

EU-DECLARATION OF CONFORMITY

Herby, Oregon Scientific, declares that this Handheld Weather Station Model: EB313HGN is in compliance with EMC directive 89/336/CE and LVD directive 73/23/EC. A copy of the signed and dated Declaration of Conformity is available on request via our Oregon Scientific Customer Service.

EU-DECLARATION OF CONFORMITY

Herby, Oregon Scientific, declares that this Handheld Weather Station Model: EB313HGN is in compliance with EMC directive 89/336/CE and LVD directive 73/23/EC. A copy of the signed and dated Declaration of Conformity is available on request via our Oregon Scientific Customer Service.

EU-DECLARATION OF CONFORMITY

Herby, Oregon Scientific, declares that this Handheld Weather Station Model: EB313HGN is in compliance with EMC directive 89/336/CE and LVD directive 73/23/EC. A copy of the signed and dated Declaration of Conformity is available on request via our Oregon Scientific Customer Service.

EU-DECLARATION OF CONFORMITY

Herby, Oregon Scientific, declares that this Handheld Weather Station Model: EB313HGN is in compliance with EMC directive 89/336/CE and LVD directive 73/23/EC. A copy of the signed and dated Declaration of Conformity is available on request via our Oregon Scientific Customer Service.

EU-DECLARATION OF CONFORMITY

Herby, Oregon Scientific, declares that this Handheld Weather Station Model: EB313HGN is in compliance with EMC directive 89/336/CE and LVD directive 73/23/EC. A copy of the signed and dated Declaration of Conformity is available on request via our Oregon Scientific Customer Service.

EU-DECLARATION OF CONFORMITY

Herby, Oregon Scientific, declares that this Handheld Weather Station Model: EB313HGN is in compliance with EMC directive 89/336/CE and LVD directive 73/23/EC. A copy of the signed and dated Declaration of Conformity is available on request via our Oregon Scientific Customer Service.

EU-DECLARATION OF CONFORMITY

Herby, Oregon Scientific, declares that this Handheld Weather Station Model: EB313HGN is in compliance with EMC directive 89/336/CE and LVD directive 73/23/EC. A copy of the signed and dated Declaration of Conformity is available on request via our Oregon Scientific Customer Service.

EU-DECLARATION OF CONFORMITY

Herby, Oregon Scientific, declares that this Handheld Weather Station Model: EB313HGN is in compliance with EMC directive 89/336/CE and LVD directive 73/23/EC. A copy of the signed and dated Declaration of Conformity is available on request via our Oregon Scientific Customer Service.

EU-DECLARATION OF CONFORMITY

Herby, Oregon Scientific, declares that this Handheld Weather Station Model: EB313HGN is in compliance with EMC directive 89/336/CE and LVD directive 73/23/EC. A copy of the signed and dated Declaration of Conformity is available on request via our Oregon Scientific Customer Service.

Calendar	DD/MM; weekday in 5 languages (E, D, F, I, S)
Alarm	2-minute single alarm

POWER

Main unit batteries 2 x CR2032 Lithium batteries

ABOUT OREGON SCIENTIFIC

Visit our website (www.oregonscientific.com) to learn more about Oregon Scientific products such as digital cameras; MP3 players; children's electronic learning products and games; projection clocks; health and fitness gear; weather stations; and digital and conference phones. The website also includes contact information for our Customer Care department in case you need to reach us, as well as frequently asked questions and customer downloads. We hope you will find all the information you need on our website, however if you're in the US and would like to contact the Oregon Scientific Customer Care department directly, please visit:

www.2.oregonscientific.com/service/default.asp

OR: Call 1-800-853-8883.

For international inquiries, please visit: www.2.oregonscientific.com/about/international.asp

EU-DECLARATION OF CONFORMITY

Herby, Oregon Scientific, declares that this Handheld Weather Station Model: EB313HGN is in compliance with EMC directive 89/336/CE and LVD directive 73/23/EC. A copy of the signed and dated Declaration of Conformity is available on request via our Oregon Scientific Customer Service.

EU-DECLARATION OF CONFORMITY

Herby, Oregon Scientific, declares that this Handheld Weather Station Model: EB313HGN is in compliance with EMC directive 89/336/CE and LVD directive 73/23/EC. A copy of the signed and dated Declaration of Conformity is available on request via our Oregon Scientific Customer Service.

EU-DECLARATION OF CONFORMITY

Herby, Oregon Scientific, declares that this Handheld Weather Station Model: EB313HGN is in compliance with EMC directive 89/336/CE and LVD directive 73/23/EC. A copy of the signed and dated Declaration of Conformity is available on request via our Oregon Scientific Customer Service.

EU-DECLARATION OF CONFORMITY

Herby, Oregon Scientific, declares that this Handheld Weather Station Model: EB313HGN is in compliance with EMC directive 89/336/CE and LVD directive 73/23/EC. A copy of the signed and dated Declaration of Conformity is available on request via our Oregon Scientific Customer Service.

EU-DECLARATION OF CONFORMITY

Herby, Oregon Scientific, declares that this Handheld Weather Station Model: EB313HGN is in compliance with EMC directive 89/336/CE and LVD directive 73/23/EC. A copy of the signed and dated Declaration of Conformity is available on request via our Oregon Scientific Customer Service.

EU-DECLARATION OF CONFORMITY

Herby, Oregon Scientific, declares that this Handheld Weather Station Model: EB313HGN is in compliance with EMC directive 89/336/CE and LVD directive 73/23/EC. A copy of the signed and dated Declaration of Conformity is available on request via our Oregon Scientific Customer Service.

EU-DECLARATION OF CONFORMITY

Herby, Oregon Scientific, declares that this Handheld Weather Station Model: EB313HGN is in compliance with EMC directive 89/336/CE and LVD directive 73/23/EC. A copy of the signed and dated Declaration of Conformity is available on request via our Oregon Scientific Customer Service.

EU-DECLARATION OF CONFORMITY

Herby, Oregon Scientific, declares that this Handheld Weather Station Model: EB313HGN is in compliance with EMC directive 89/336/CE and LVD directive 73/23/EC. A copy of the signed and dated Declaration of Conformity is available on request via our Oregon Scientific Customer Service.

EU-DECLARATION OF CONFORMITY

Herby, Oregon Scientific, declares that this Handheld Weather Station Model: EB313HGN is in compliance with EMC directive 89/336/CE and LVD directive 73/23/EC. A copy of the signed and dated Declaration of Conformity is available on request via our Oregon Scientific Customer Service.

EU-DECLARATION OF CONFORMITY

Herby, Oregon Scientific, declares that this Handheld Weather Station Model: EB313HGN is in compliance with EMC directive 89/336/CE and LVD directive 73/23/EC. A copy of the signed and dated Declaration of Conformity is available on request via our Oregon Scientific Customer Service.

EU-DECLARATION OF CONFORMITY

Herby, Oregon Scientific, declares that this Handheld Weather Station Model: EB313HGN is in compliance with EMC directive 89/336/CE and LVD directive 73/23/EC. A copy of the signed and dated Declaration of Conformity is available on request via our Oregon Scientific Customer Service.

BAROMETRO

Questo prodotto rileva i cambiamenti della pressione barometrica delle ultime 24 ore, in modo da fornire le previsioni meteorologiche e la linea di tendenza che indica la direzione del cambiamento di pressione.

TENDENZA BAROMETRICA

TENDENZA	DESCRIZIONE
	In aumento
	Stabile
	In diminuzione

PREVISIONI METEOROLOGICHE

Questo prodotto è in grado di mostrare le previsioni meteorologiche per le successive 12-24 ore entro un raggio di 30-50 km (19-31 miglia) con una precisione del 70-75%. Le previsioni meteorologiche sono visualizzate costantemente.

SERENO PARZIALMENTE NUVOLOSO

--	--	--	--	--

TEMPERATURA E UMIDITÀ

Questo prodotto visualizza le informazioni relative a temperatura corrente, minime e massime e a percentuale di umidità.

SELEZIONE DELL'UNITÀ DI MISURA DELLA TEMPERATURA

Spostare la levetta °C / °F sulla posizione desiderata. La levetta si trova all'interno del vano batterie.

FASI LUNARI

Perché questa funzione sia attiva, deve essere impostato il calendario. Premere + o - per visualizzare la fase lunare del giorno successivo o precedente. Tenere premuto + o - per eseguire una ricerca negli anni (dal 2001 al 2099).

	Luna nuova	Luna piena

NOTA

Le opzioni della lingua sono (E) inglese, (F) francese, (D) tedesco, (I) italiano e (S) spagnolo.

DOPIA VISUALIZZAZIONE DELL'OROLOGIO

Premere **MODE** per alternare la visualizzazione dell'orologio con secondi a quella dell'orologio con giorno della settimana.

SVEGLIA

Questo prodotto dispone di una sveglia di 2 minuti.

VISUALIZZAZIONE DELLE IMPOSTAZIONI DELLA SVEGLIA

Premere **ALARM**. Nell'area dell'orologio vengono visualizzate l'ora della sveglia e l'icona (L).

IMPOSTAZIONE DELLA SVEGLIA

1. Premere **ALARM** per passare alla visualizzazione della sveglia.
2. Tenere nuovamente premuto **ALARM** per 2 secondi. Le impostazioni della sveglia lampeggeranno.
3. Selezionare ora e minuti. Premere + o - per modificare le impostazioni. Premere **ALARM** per confermare.

ATTIVAZIONE DELLA SVEGLIA

Premere per attivare o disattivare la sveglia. Il simbolo viene visualizzato nell'area orologio / sveglia quando quest'ultima viene attivata.

SPERIMENTAZIONE DELLA SVEGLIA

Quando arriva l'ora impostata, la sveglia suona per 2 minuti. Premere **SNOOZE / LIGHT** per arrestarla per 8 minuti. In alternativa, premere per spegnerla fino al giorno successivo. Se non viene premuto nessun pulsante, la sveglia si spegnerà automaticamente dopo 2 minuti. Suonerà nuovamente dopo 8 minuti.

BAROMETRO

Questo prodotto rileva i cambiamenti della pressione barometrica delle ultime 24 ore, in modo da fornire le previsioni meteorologiche e la linea di tendenza che indica la direzione del cambiamento di pressione.

TENDENZA BAROMETRICA

TENDENZA	DESCRIZIONE
	In aumento
	Stabile
	In diminuzione

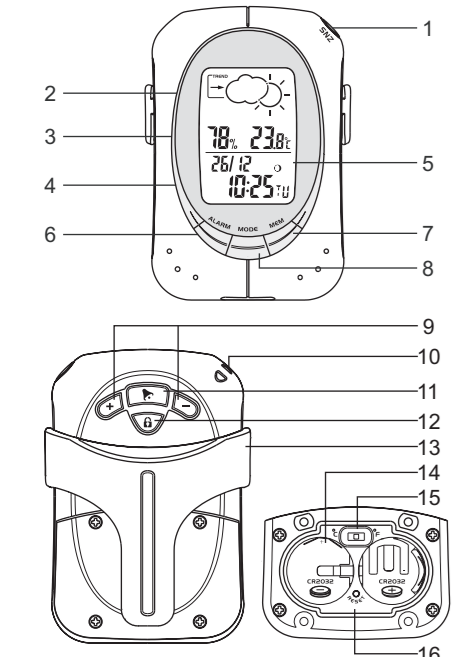
PREVISIONI METEOROLOGICHE

Questo prodotto è in grado di mostrare le previsioni meteorologiche per le successive 12-24 ore entro un raggio di 30-50 km (19-31 miglia) con una precisione del 70-75%. Le previsioni meteorologiche sono visualizzate costantemente.

SERENO PARZIALMENTE NUVOLOSO

||
||
||

PANORÁMICA AL DEL PRODUCTO



1. Botón SNOOZE / LUZ
2. Área de predicción meteorológica y de tendencia barométrica
3. Área de Temperatura y Humedad
4. Área de reloj / alarma
5. Fase de la luna
6. ALARMA: ver estado de la alarma; ajustar la alarma
7. MEM: visualizar lecturas de temperatura y humedad máxima y mínima y actuales
8. MODE: cambiar pantalla / configuración
9. + y - subir o bajar el ajuste
10. Orificio para la correa
11. ►: activar / desactivar alarma
12. ■: botón de bloqueo
13. Soporte de mesa / clip para cinturón
14. Compartimiento para las pilas
15. Interruptor °C / °F
16. Orificio de REINICIO

PARA EMPEZAR

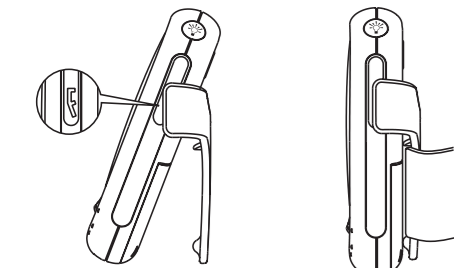
PILAS

La unidad funciona con 2 pilas CR2032. Antes de utilizar el dispositivo por primera vez, introduzca las pilas haciendo coincidir la polaridad de las mismas con las indicaciones que hay en el compartimiento de pilas.

NOTA: aparece cuando las pilas están casi gastadas.

SOPORTE DE MESA O CLIP PARA CINTURÓN

Puede llevar el clip en el cinturón o usarlo como soporte. Para usarlo como soporte, retire el clip de la parte trasera de la monitor. Introduzca la parte derecha o izquierda de l clip en la parte inferior del cierre, y a continuación ¡cierre el otro lado del clip en la ranura de abajo.



RELOJ

Este producto muestra la hora y el día de la semana en 5 idiomas, francés, alemán, italiano o español.

AJUSTE DEL RELOJ

1. Pulse **MODD** y manténgalo pulsado durante 2 segundos. El área de reloj parpadeará.
2. Seleccione la hora, minuto, año, mes, día e idioma. Pulse + o - para modificar el ajuste. Pulse **MODD** para confirmar.

CAMBIAR PANTALLA DEL RELOJ

Pulse **MODE** para alternar entre Reloj con segundos, Reloj con día de la semana y Pantalla semanal.

ALARMAS

Este producto con una alarma de 2 minutos.

VISUALIZAR CONFIGURACIÓN DE LA ALARMA

Pulse **ALARM**. El icono (⌚) y la hora de la alarma se mostrarán en el Área del reloj.

CONFIGURACIÓN DE LA ALARMA

1. Pulse **ALARM** para pasar a la pantalla de Alarma.
2. Pulse **ALARM** de nuevo y manténgalo pulsado duran 2 segundos. El ajuste de la alarma parpadeará.
3. Seleccione la hora y la minutos. Pulse + o + para modificar los ajustes. Pulse **ALARM** para confirmar.

ACTIVACIÓN DE LA ALARMA

Pulse este botón para activar o desactivar la alarma. aparece en el Área de Reloj / Alarma ► si la alarma está activada.

INTERRUMPIR ALARMA

Cuando se alcanza la hora de la alarma, una alarma sonará durante aproximadamente 2 minutos. Pulse **SNOOZE/LIGHT** para silenciara durante 8 minutos. O pulse ► para desactivarla hasta el siguiente día. Si durante 2 minutos no se pulsa ningún botón, la alarma se desactivará automáticamente. En tal caso volverá a sonar al cabo de 8 minutos.

BARÓMETRO

Este producto registra los cambios de presión barométrica de las últimas 24 horas para proporcionar las predicciones meteorológicas y una línea de tendencia que muestra la dirección del cambio barométrico.

TENDENCIA BAROMÉTRICA

TENDENCIA	DESCRIPCIÓN
	Subiendo
	Estable
	Bajando

PREDICCIÓN METEOROLÓGICA

Este producto predice el tiempo de las próximas 12 a 24 horas en un radio de 30 a 50 km con una precisión del 70 al 75 por ciento. La predicción meteorológica se muestra a en todo momento.

CLARO	PARCIALMENTE NUBLADO	NUBLADO	LLUVIA	MAL TIEMPO

TEMPERATURA Y HUMEDAD

Este producto puede mostrar temperaturas actuales, mínimas y máximas, así como información sobre el porcentaje de humedad.

SELECCIÓN DE UNIDAD DE TEMPERATURA

Coloque el interruptor °C / °F en la posición deseada. El interruptor se encuentra en el compartimiento para pilas.

FASE DE LA LUNA

El Calendario debe estar configurado para que esta función esté activa. Pulse + o - para ver la fase de la luna del día anterior o siguiente. Pulse + o - manténgalo pulsado para desplazarse rápidamente por los años (2001 a 2099).

	Luna nueva		Luna llena
	Creciente		Inicio de menguante
	Cuarto creciente		Cuarto menguante
	Casi llena		Menguante

ILUMINACIÓN

Pulse **SNOOZE / LIGHT** para activar la pantalla.

BLOQUEO DE BOTONES

Se pueden bloquear los botones para evitar cambios accidentales. Para borrar activar el bloqueo, pulse LOCK y manténgalo pulsado durante dos segundos. Repita el mismo procedimiento para desbloquear botones. ocdimiento para desbloquear botones.

PRECAUCIONES

Este producto está diseñado para funcionar durante muchos años, si se usa correctamente. Aquí tiene algunos consejos:

- La colocación de este producto en superficies de madera con cierto tipo de acabados, como por ejemplo barniz claro, puede provocar que este acabado sufra daños. Consulte las instrucciones del fabricante del mueble para saber qué tipo de objetos se pueden colocar sobre la superficie de madera. Oregon Scientific no asume ninguna responsabilidad en caso de daños en superficies de madera como resultado del contacto con este producto.
- No sumerja el dispositivo en agua. Si se vertiera líquido en la unidad, límpiela con un paño suave y sin electricidad estática.
- No limpie la unidad con materiales abrasivos o corrosivos.
- No exponga la unidad a fuerza excesiva, descargas, polvo, temperatura o humedad excesivos, lo cual podría resultar en problemas de funcionamiento, disminución de la vida útil, pilas gastadas y componentes dañados.
- No manipule los componentes internos. De hacerlo anulará la garantía de la unidad y podría causar daños innecesarios. La unidad no contiene componentes que el usuario deba manipular.
- Use solamente pilas nuevas como las indicadas en las instrucciones de uso. No mezcle pilas viejas con pilas nuevas.
- No use pilas recargables.
- Retire las pilas antes de guardar el producto por un largo periodo de tiempo.
- No elimine este producto con la basura normal. Es necesario desacharlo separadamente para poder tratarlo.
- Debido a limitaciones de impresión, las pantallas que se muestran en este manual pueden diferir de las pantallas reales.
- Los contenidos de este manual no pueden reproducirse sin permiso del fabricante.

NOTA

La ficha técnica de este producto y los contenidos de este manual de usuario pueden cambiarse sin aviso.

FICHA TÉCNICA

TEMPERATURA	
Unidad	°C o °F
Alcance de temperatura	20,0 °C a +60,0 °C (-4,0 °F a +140 °F)
Resolución	0,1 °C (0,2 °F)

HUMEDAD RELATIVA

Alcance	25% a 95%
Resolución	1%

BARÓMETRO

Predicción meteorológica Lluvia, nublado, parcialmente nublado, soleado, mal tiempo

Temperatura de operación recomendada para una predicción meteorológica más precisa	0 °C a +60 °C (32 °F a +140 °F)
--	---------------------------------

RELOJ

Pantalla de reloj HH:MM:SS
Formato de hora 24H/12M; día de la semana en 5 idiomas (E, D, F, I, S)
Alarma única de 2 minutos

ALIMENTACIÓN

Pilas de la unidad principal 2 pilas de litio CR2032

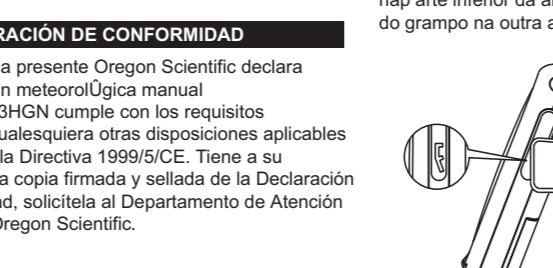
SOBRE OREGON SCIENTIFIC

Visite nuestra página web (www.oregonscientific.com) para conocer más sobre los productos de Oregon Scientific tales como: Reproductores MP3, juegos y productos de aprendizaje electrónico para niños, relojes de proyección, productos para la salud y el deporte, estaciones meteorológicas y teléfonos digitales y de conferencia. La página web también incluye información de contacto de nuestro departamento de Atención al Cliente, en caso de que necesite contactar con nosotros, a la vez que Preguntas Frecuentes y Descargas de los programas y controladores necesarios para nuestros productos. Esperamos que encuentre toda la información que necesite en nuestra página web. En cualquier caso, si necesita contactar con el departamento de Atención al Cliente directamente, por favor visite www.oregonscientific.es la sección "Contáctenos" o llame al 902 338 365. Los residentes en EEUU pueden visitar www2.oregonscientific.com/service/support o llamar al +800-853-8883.

EU-DECLARACIÓN DE CONFORMIDAD

Por medio de la presente Oregon Scientific declara que el EstaciÓn meteorológica manual Modelo: EB313HGN cumple con los requisitos esenciales y cualesquiera otras disposiciones aplicables o exigibles de la Directiva 1999/5/CE. Tiene a su disposición una copia firmada y sellada de la Declaración de Conformidad, solicítela al Departamento de Atención al Cliente de Oregon Scientific.

CE



RELOJO

Este producto exhibe a hora actual e día de la semana en inglés, francés, alemán, italiano o español.

AJUSTAR RELOJO

1. Presionar e guardar **MODE** por 2 segundos. A área del reloj piscará.
2. Seleccionar a hora, minuto, ano mês, dia e idioma. Presionar + ou - para alterar a configuração. Presionar **MODE** para confirmar.

NOTA

As opções de idioma são (E) inglês, (F) francês, (D) alemão, (I) italiano e (S) espanhol.

ALTERAR MOSTRADOR DE RELOJO

Pressionar **MODE** para alternar a exibição do relógio com segundos e com dias da semana.

ALARMES

Este produto vem equipado com um alarme de dois minutos.

VISUALIZAR CONFIGURAÇÕES DE ALARME

1. Pressione **ALARM** para passar para a exibição de Alarme.
2. Pressionar e segurar **ALARM** por 2 segundos. As configurações de Alarm piscarão.
3. Seleccionar a hora e minutos. Pressionar + ou - para alterar a configuração. Pressionar **ALARM** para confirmar.

ATIVAR ALARME

Pressione para ativar ou desativar o Alarme. Exibe na área de Relógio / Alarme ► quando o alarme está ativado.

1. Botão SNOOZE / LIGHT

2. Previsão meteorológica e tendência barométrica local
3. Temperatura e unidade local
4. Relógio / Alarma local
5. Fases lunares
6. ALARM: visualizar status de alarma, ajustar alarma
7. MEM: visualizar leituras atual, máxima e mínima de temperatura/lumidade.
8. MODE: alterar modo de exibição / configurações
9. + e - : aumentar ou reduzir configuração
10. Orificio para alça
11. ► : ativar / desativar alarma
12. ■ : botão de travamento
13. suporte para mesa / grampo para cinto
14. Compartimento da bateria
15. comutador °C / °F
16. orifício RESET

BARÔMETRO

Este produto acompanha as alterações de pressão barométrica nas últimas 24 horas para proporcionar previsões meteorológicas e a linha de tendência, mostrando a direção da alteração barométrica.

TENDÊNCIA BAROMÉTRICA

TENDÊNCIA	DESCRIPÇÃO
	Em ascensão
	Estável
	Em queda

PREVISÃO METEOROLÓGICA

Este produto oferece a previsão meteorológica das próximas 12 ou 24 horas em um raio de 30-50 km (19-31 milhas) com 70 a 75 por cento de precisão. A previsão meteorológica é exibida constantemente.

TEMPERATURA E UMIDADE

Unidade	°C ou °F
Faixa Operacional	-20,0 °C a +60,0 °C (-4,0 °F a +140 °F)
Resolução	0,1 °C (0,2 °F)

UMIDADE RELATIVA

Faixa	25% a 95%
Resolução	1%

BARÓMETRO

Previsão meteorológica Chuvoso, nublado, parcialmente nublado, ensolarado, mau tempo operacional sugetida para previsão meteorológica mais precisa: 0 °C a +60 °C (32 °F a +140 °F)

SELEÇÃO UNIDADE DE TEMPERATURA

Mover o seletor °C / °F na posição desejada. O seletor está localizado dentro do compartimento da bateria.

FASE LUNAR

	Lua nova		Lua cheia
	Lua crescente		Quarto minguante
	Quarto crescente		Quarto minguante
	Quarto minguante		Lua minguante

ILUMINAÇÃO DE FUNDO

Pressionã **SNOOZE / LIGHT** para ativar a luz de fundo.

TRAVAMENTO DE TECLA

Os botões devem ser travados para evitar alterações acidentais. Para ativar a trava, pressionar e segurar LOCK por dois segundos. Repetir o mesmo procedimento para os botões de desativamento.

PRECAUCIONES

Este producto foi criado para lhe proporcionar anos de um serviço satisfatório, se você cuidar bem dele. Eis algumas precauções:

- Instalar este produto em superficies de madeira com certos tipos de acabamento, como verniz, pode resultar em danos ao acabamento. Consulte as instruções de manutenção do fabricante do móvel para orientação sobre os tipos de objetos que pode ser apoiados com segurança sobre a superfície de madeira.
- A Oregon Scientific não se responsabiliza por danos às superficies de madeira decorrentes do contato com este produto.
- Não submergir a unidade na água. Em caso de derramamento de líquidos, seque imediatamente com um tecido macio.

SILENCIAR ALARME

Na hora do alarme, o alarme soará por 2 minutos. Pressione **SNOOZE / LIGHT** para desligá-lo por 8 minutos. Ou pressione ► para desligar até o dia seguinte. Se nenhum botão for pressionado, o alarme silenciará automaticamente após 2 minutos. Depois ele soará novamente após 8 minutos.

BARÔMETRO

Este produto acompanha as alterações de pressão barométrica nas últimas 24 horas para proporcionar previsões meteorológicas e a linha de tendência, mostrando a direção da alteração barométrica.

TENDÊNCIA BAROMÉTRICA

TENDÊNCIA	DESCRIPÇÃO
	Em ascensão
	Estável
	Em queda

PREVISÃO METEOROLÓGICA

Este produto oferece a previsão meteorológica das próximas 12 ou 24 horas em um raio de 30-50 km (19-31 milhas) com 70 a 75 por cento de precisão. A previsão meteorológica é exibida constantemente.

TEMPERATURA E UMIDADE

Unidade	°C ou °F
Faixa Operacional	-20,0 °C a +60,0 °C (-4,0 °F a +140 °F)
Resolução	0,1 °C (0,2 °F)

UMIDADE RELATIVA

Faixa	25% a 95%
Resolução	1%

BARÓMETRO

Previsão meteorológica Chuvoso, nublado, parcialmente nublado, ensolarado, mau tempo operacional sugetida para previsão meteorológica mais precisa: 0 °C a +60 °C (32 °F a +140 °F)

SELEÇÃO UNIDADE DE TEMPERATURA

Mover o seletor °C / °F na posição desejada. O seletor está localizado dentro do compartimento da bateria.

FASE LUNAR

	Lua nova		Lua cheia
	Lua crescente		Quarto minguante
	Quarto crescente		Quarto minguante
	Quarto minguante		Lua minguante

ILUMINAÇÃO DE FUNDO

Pressionã **SNOOZE / LIGHT** para ativar a luz de fundo.

TRAVAMENTO DE TECLA

Os botões devem ser travados para evitar alterações acidentais. Para ativar a trava, pressionar e segurar LOCK por dois segundos. Repetir o mesmo procedimento para os botões de desativamento.

PRECAUCIONES

Este producto foi criado para lhe proporcionar anos de um serviço satisfatório, se você cuidar bem dele. Eis algumas precauções:

- Instalar este produto em superficies de madeira com certos tipos de acabamento, como verniz, pode resultar em danos ao acabamento. Consulte as instruções de manutenção do fabricante do móvel para orientação sobre os tipos de objetos que pode ser apoiados com segurança sobre a superfície de madeira.
- A Oregon Scientific não se responsabiliza por danos às superficies de madeira decorrentes do contato com este produto.
- Não submergir a unidade na água. Em caso de derramamento de líquidos, seque imediatamente com um tecido macio.

SILENCIAR ALARME

Na hora do alarme, o alarme soará por 2 minutos. Pressione **SNOOZE / LIGHT** para desligá-lo por 8 minutos. Ou pressione ► para desligar até o dia seguinte. Se nenhum botão for pressionado, o alarme silenciará automaticamente após 2 minutos. Depois ele soará novamente após 8 minutos.

BARÔMETRO

Este produto acompanha as alterações de pressão barométrica nas últimas 24 horas para proporcionar previsões meteorológicas e a linha de tendência, mostrando a direção da alteração barométrica.

TENDÊNCIA BAROMÉTRICA

TENDÊNCIA	DESCRIPÇÃO
	Em ascensão
	Estável
	Em queda

PREVISÃO METEOROLÓGICA

Este produto oferece a previsão meteorológica das próximas 12 ou 24 horas em um raio de 30-50 km (19-31 milhas) com 70 a 75 por cento de precisão. A previsão meteorológica é exibida constantemente.

TEMPERATURA E UMIDADE

Unidade	°C ou °F
Faixa Operacional	-20,0 °C a +60,0 °C (-4,0 °F a +140 °F)
Resolução	0,1 °C (0,2 °F)

UMIDADE RELATIVA

Faixa	25% a 95%
Resolução	1%

BARÓMETRO

Previsão meteorológica Chuvoso, nublado, parcialmente nublado, ensolarado, mau tempo operacional sugetida para previsão meteorológica mais precisa: 0 °C a +60 °C (32 °F a +140 °F)

SELEÇÃO UNIDADE DE TEMPERATURA

Mover o seletor °C / °F na posição desejada. O seletor está localizado dentro do compartimento da bateria.

FASE LUNAR

	Lua nova		Lua cheia
	Lua crescente		Quarto minguante
	Quarto crescente		Quarto minguante
	Quarto minguante		Lua minguante

ILUMINAÇÃO DE FUNDO

Pressionã **SNOOZE / LIGHT** para ativar a luz de fundo.

TRAVAMENTO DE TECLA</

Free Manuals Download Website

<http://myh66.com>

<http://usermanuals.us>

<http://www.somanuals.com>

<http://www.4manuals.cc>

<http://www.manual-lib.com>

<http://www.404manual.com>

<http://www.luxmanual.com>

<http://aubethermostatmanual.com>

Golf course search by state

<http://golfingnear.com>

Email search by domain

<http://emailbydomain.com>

Auto manuals search

<http://auto.somanuals.com>

TV manuals search

<http://tv.somanuals.com>