

Wireless Indoor / Outdoor Thermometer with Self-Setting Atomic Clock Model: RMR382A

USER MANUAL

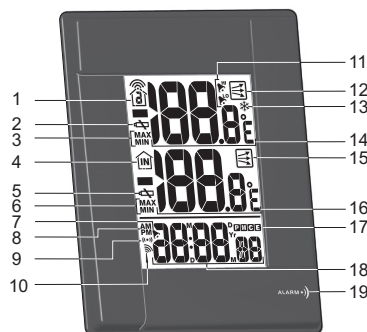
INTRODUCTION

Thank you for selecting the Oregon Scientific™ Wireless Indoor / Outdoor Thermometer with Self-Setting Atomic Clock. The main unit can support up to 3 sensors. To purchase additional sensors, please contact your local retailer.

NOTE Please keep this manual handy as you use your new product. It contains practical step-by-step instructions, as well as technical specifications and warnings you should know about.

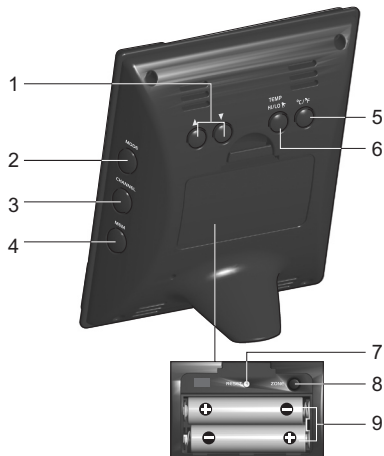
OVERVIEW

FRONT VIEW



1. Channel number and sensor reception status
2. Sensor low battery warning
3. Maximum / minimum outdoor temperature reading
4. Indoor temperature display icon
5. Main unit low battery warning
6. Maximum / minimum indoor temperature reading
7. Alarm is set
8. 12-hour clock
9. Alarm is displayed
10. Radio-controlled clock reception icon
11. Hi / lo alarm is displayed
12. Outdoor temperature trend icon
13. Ice warning is active
14. Outdoor temperature reading
15. Indoor temperature trend icon
16. Indoor temperature reading
17. US time zones
18. Time, alarm and date
19. **ALARM** (•): View alarm status; set alarm

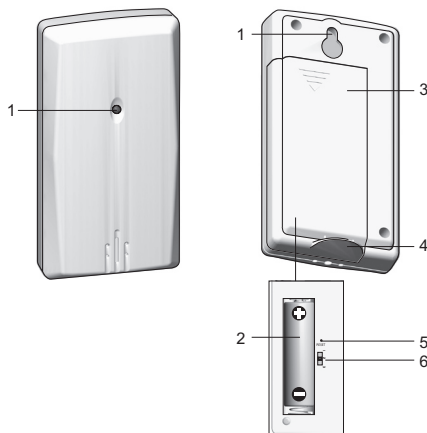
BACK VIEW



1. ▲ / ▼ : Increase / decrease setting; activate / deactivate clock reception signal
2. **MODE**: Change settings / display
3. **CHANNEL**: Switch remote sensor display
4. **MEM**: View current, maximum and minimum temperature

5. °C / °F: Select temperature unit °C / °F
6. **TEMP HI / LO** (•): Change settings or enable / disable hi or lo temperature alarm for channel 1
7. **RESET**: Reset unit to default settings
8. **ZONE**: Toggle between the 4 US time zones
9. **Battery compartment**

REMOTE SENSOR (THN132N)

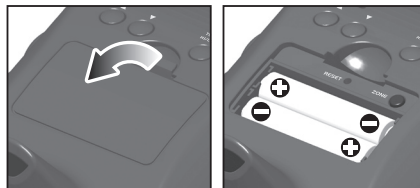


1. LED indicator
1. Wall mount
2. Battery compartment
3. Battery door
4. Table stand
5. **RESET** hole
6. **CHANNEL** switch

GETTING STARTED

POWER

Insert batteries before first use, matching the polarity (+ and -).



NOTE Install batteries in the remote sensor before the main unit. Press **RESET** after each battery change. Do not use rechargeable batteries. We recommend that you use alkaline batteries with this product for longer usage and lithium batteries in temperatures below freezing.

shows when batteries are low.

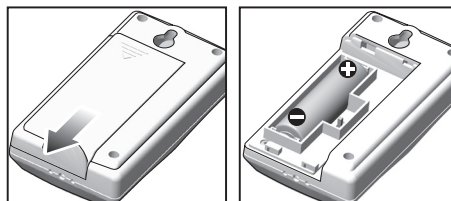
UNIT	LOCATION
Main	Indoor temperature area
Remote	Outdoor temperature area

REMOTE SENSOR

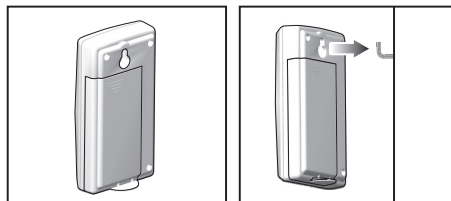
The sensor collects temperature readings approx. every 40 seconds and sends them to the main unit. The main unit can collect data from up to 3 sensors.

To set up the sensor:

1. Slide open the battery door.
2. Insert the batteries, matching the polarity (+ / -). Reset after each battery change.
3. Select a channel. Make sure you use a different channel for each sensor.



4. Close the battery compartment.
5. Secure the sensor in the desired location using the wall mount or table stand.



For best results:

- Place the sensor out of direct sunlight and moisture.
- Do not place the sensor more than 30 meters (100 feet) from the main (indoor) unit.
- Position the sensor so that it faces the main (indoor) unit, minimizing obstructions such as doors, walls, and furniture.
- Place the sensor in a location with a clear view to the sky, away from metallic or electronic objects.
- Position the sensor close to the main unit during cold winter months as below-freezing temperatures may affect battery performance and signal transmission.

The transmission range may vary depending on many factors. You may need to experiment with various locations to get the best results.

Standard Alkaline batteries contain significant amounts of water. Because of this they will freeze in low temperatures of approximately -12°C (10°F). Disposable Lithium batteries have a much lower threshold for temperature with an estimated freezing range of below -30°C (-22°F).

Wireless ranges can be impacted by a variety of factors such as extremely cold temperatures. Extreme cold may temporarily reduce the effective range between the sensor and the base station. If the unit's performance fails due to low temperature, the unit will resume proper functioning as the temperature rises to within the normal temperature range (i.e. no permanent damage will occur to the unit due to low temperatures).

SENSOR DATA TRANSMISSION

The reception icon in the outdoor temperature area shows the status.

ICON	DESCRIPTION
	Main unit is searching for the sensor(s)
	A channel has been found and sensor signal is being received
	The sensor cannot be found. Search for the sensor or check batteries

To search for a sensor:

Simultaneously, press and hold **MEM** and **CHANNEL** for 2 seconds.

NOTE If the sensor is still not found, check the batteries, obstructions, and remote unit location.

CLOCK

CLOCK RECEPTION

This product is designed to synchronize its date and time automatically once it is within range of the WWVB-60 signal from the atomic clock in Fort Collins, Colorado. The clock collects the radio signals whenever it is within 3218 km (2000 miles) of a signal.

NOTE Initial reception takes 2-10 minutes for first set up or when **RESET** is pressed. Once complete, the reception icon will stop blinking. If the signal is weak, it can take up to 24 hours to get a valid signal.

RECEPTION SIGNAL

STRONG	WEAK	NO SIGNAL

To enable and force a signal search:
Press and hold ▲ for 2 seconds.

To disable the signal reception:
Press and hold ▼ for 2 seconds.

SET CLOCK

If the clock signal reception is enabled and a signal is being received the clock does not need to be manually set.

To manually set the clock:

1. Press and hold **MODE** for 2 seconds.
2. Press ▲ and ▼ to change the settings.
3. Press **MODE** to confirm.
4. The setting sequence is: 12 / 24 hour format, hour, minute, year, date / month format, month, date, and display language.



NOTE Press **ZONE** to set the US time zone options: (P) Pacific, (M) Mountain, (C) Central and (E) Eastern.

NOTE The language options are (E) English, (F) French, (D) German, (I) Italian, and (S) Spanish.

To switch the clock display:
Press **MODE** to toggle between:

- Clock with seconds
- Clock with day
- Calendar

ALARM

To set the alarm:

1. Press **ALARM** to view the alarm. ((•)) will show on the display.
2. Press and hold **ALARM** for 2 seconds.
3. Press **▲** or **▼** to change the hour / minute settings.
4. Press **ALARM** to confirm.

To activate or deactivate the alarm:

Press **ALARM** when in the alarm display. appears when the alarm is set.

To silence the alarm and reset it for the next day:
Press **ALARM**.

TEMPERATURE

To toggle the temperature unit:
Press **°C / °F**.

To view outdoor sensor temperature readings:
Press **CHANNEL**.

- shows which remote sensor's data you are viewing.
- is permanently displayed in the indoor temperature area.

To auto-scan between sensors:

Press and hold **CHANNEL** for 2 seconds. Each sensor's data is displayed for 3 seconds.

To end auto-scan:

Press **CHANNEL** or **MEM**.

To toggle between current, minimum and maximum records for the selected sensor:

Press **MEM** repeatedly.

To clear the records:

Press and hold **MEM** for 2 seconds.

TEMPERATURE TREND

Recent indoor / outdoor temperature trends are shown by the trend icon.

RISING	STEADY	FALLING

ICE WARNING

If the channel 1 sensor falls between 3°C to -2°C (37°F to 28°F), flashes to warn you that the temperature is approaching freezing.

NOTE The warning will automatically stop if the temperature goes outside the ice-warning range.

HI / LO TEMPERATURE ALARM

An alarm can be set to sound if the sensor set to channel 1 records above or below a temperature of your choice.

To set alarm ON / OFF :

1. Press and hold **TEMP HI / LO** .
2. Use **▲** and **▼** to select high / low temperature alarm. Press **TEMP HI / LO** to confirm.
3. Press **▲** or **▼** to set alarm ON / OFF and press **TEMP HI / LO** to confirm.
4. If alarm has been activated, use **▲** or **▼** to select the temperature.
5. Press **TEMP HI / LO** to confirm.

To silence the hi / lo temperature alarm:

Press any key. The alarm resets automatically and will resound if the hi / lo temperature selected is exceeded again.

RESET

Press **RESET** to return the unit to the default settings.

PRECAUTIONS

This product is engineered to give you years of satisfactory service if you handle it carefully. Here are a few precautions:

- Do not immerse the unit in water. If you spill liquid over it, dry it immediately with a soft, lint-free cloth.
- Do not clean the unit with abrasive or corrosive materials.
- Do not subject the unit to excessive force, shock, dust, temperature or humidity, which may result in malfunction, shorter electronic life span, damaged battery and distorted parts.
- Do not tamper with the unit's internal components. Doing so will invalidate the warranty on the unit and may cause unnecessary damage. The unit contains no user-serviceable parts.
- Only use fresh batteries as specified in the user's instructions. Do not mix new and old batteries.
- Do not use rechargeable batteries.
- Remove batteries when storing the product for a long time.
- Due to printing limitations, the displays shown in this manual may differ from the actual display.
- The contents of this manual may not be reproduced without the permission of the manufacturer.
- Do not dispose this product as unsorted municipal waste. Collection of such waste separately for special treatment is necessary.

NOTE The technical specifications for this product and the contents of the user manual are subject to change without notice.

SPECIFICATIONS

TYPE	DESCRIPTION
Main unit	
Dimensions (L x W x D)	93 x 52 x 118 mm (3.7 x 2.0 x 4.6 inches)
Weight	133 g (4.7 ounces) without battery
Remote unit	
Dimensions (L x W x D)	96 x 50 x 22 mm (3.8 x 2.0 x 0.9 in)
Weight	62 g (2.22 ounces) without battery
Temperature unit – °C / °F	
Indoor range	-5°C to 50°C (23°F to 122°F)
Outdoor range	-30°C to 60°C (-22°F to 140°F)
Resolution	0.1°C (0.2°F)
Remote unit	
RF frequency	433MHz
Range	Up to 30 meters (100 feet) with no obstructions
Transmission	Approx. every 40 seconds
Channel no.	1, 2 or 3
Clock	
Synchronization	Auto or disabled
Clock display	HH:MM
Hour format	12hr AM/PM or 24hr
Calendar	DD/MM or MM/DD
Weekday in 5 languages	(E, G, F, I, S)
Alarm	2-minute alarm
Power	
Main unit	2 x UM-4 (AAA) 1.5V batteries
Remote unit	1 x UM-3 (AA) 1.5V battery

NOTE We recommend that you use alkaline batteries with this product for longer usage and lithium batteries in temperatures below freezing.

ABOUT OREGON SCIENTIFIC

Visit our website (www.oregonscientific.com) to learn more about Oregon Scientific products such as digital cameras; MP3 players; children's electronic learning products and games; projection clocks; health and fitness gear; weather stations; and digital and conference phones. The website also includes contact information for our Customer Care department in case you need to reach us, as well as frequently asked questions and customer downloads.

We hope you will find all the information you need on our website, however if you're in the US and would like to contact the Oregon Scientific Customer Care department directly, please visit:

www2.oregonscientific.com/service/default.asp

OR

Call 1-800-853-8883.

For international inquiries, please visit:

www2.oregonscientific.com/about/international.asp

FCC STATEMENT

This device complies with Part 15 of the FCC Rules. Operation is subject to the following two conditions: (1) This device may not cause harmful interference, and (2) This device must accept any interference received, including interference that may cause undesired operation.

WARNING Changes or modifications not expressly approved by the party responsible for compliance could void the user's authority to operate the equipment.

NOTE This equipment has been tested and found to comply with the limits for a Class B digital device, pursuant to Part 15 of the FCC Rules. These limits are designed to provide reasonable protection against harmful interference in a residential installation.

This equipment generates, uses and can radiate radio frequency energy and, if not installed and used in accordance with the instructions, may cause harmful interference to radio communications. However, there is no guarantee that interference will not occur in a particular installation. If this equipment does cause harmful interference to radio or television reception, which can be determined by turning the equipment off and on, the user is encouraged to try to correct the interference by one or more of the following measures:

- Reorient or relocate the receiving antenna.
- Increase the separation between the equipment and receiver.
- Connect the equipment into an outlet on a circuit different from that to which the receiver is connected.
- Consult the dealer or an experienced radio / TV technician for help.

DECLARATION OF CONFORMITY

The following information is not to be used as contact for support or sales. Please call our customer service number (listed on our website at www.oregonscientific.com), or on the warranty card for this product) for all inquiries instead.

We

Name: Oregon Scientific, Inc.
Address: 19861 SW 95th Ave., Tualatin, Oregon 97062 USA
Telephone No.: 1-800-853-8883

declare that the product

Product No.: RMR382A
Product Name: Wireless Indoor / Outdoor Thermometer with Self-Setting Atomic Clock
Manufacturer: IDT Technology Limited
Address: Block C, 9/F, Kaiser Estate, Phase 1, 41 Man Yue St., Hung Hom, Kowloon, Hong Kong

is in conformity with Part 15 of the FCC Rules. Operation is subject to the following two conditions: 1) This device may not cause harmful interference. 2) This device must accept any interference received, including interference that may cause undesired operation.



Free Manuals Download Website

<http://myh66.com>

<http://usermanuals.us>

<http://www.somanuals.com>

<http://www.4manuals.cc>

<http://www.manual-lib.com>

<http://www.404manual.com>

<http://www.luxmanual.com>

<http://aubethermostatmanual.com>

Golf course search by state

<http://golfingnear.com>

Email search by domain

<http://emailbydomain.com>

Auto manuals search

<http://auto.somanuals.com>

TV manuals search

<http://tv.somanuals.com>