

Multi-Powered Emergency Radio
Model:WR201

USER MANUAL

EN

INTRODUCTION

Never lose touch with what's going on with this handy device: stayed tuned to your favorite radio station or listen for the latest weather warnings.

Equipped with an emergency siren, flashlight and ability to charge your mobile phone, this Multi-Powered Emergency Radio is a must-have item for your outdoor adventures.

Keep this manual handy as you use your new product. It contains practical step-by-step instructions as well as technical specifications and warnings you should know about.

NOTE This product is specifically equipped for access to NOAA Weather Radio, but it does not have an alert function when weather warnings occur. For alert features, please consider our WR202 or WR203 models with Alert and SAME Alert functionality.

ABOUT THE NATIONAL WEATHER RADIO SYSTEM

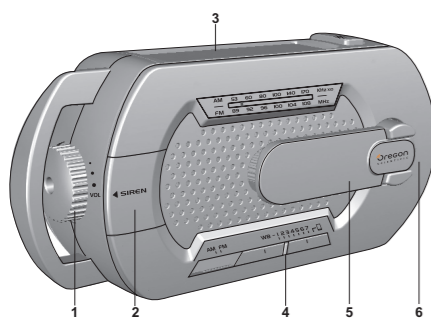
The National Weather Service (NWS) is an agency within the National Oceanic & Atmospheric Administration (NOAA) that operates a nationwide network of radio stations known as the NOAA Weather Radio (NWR). The NWR radio system broadcasts warning information for all types of hazards, both natural and technological. Working in conjunction with the Emergency Alert System (EAS), NWR is an all-in-one hazards radio network and is considered to be the single source of all comprehensive weather and emergency information.

A nationwide network, the NWR consists of more than 1000 stations in the United States, Puerto Rico, the US Virgin Islands and US Pacific Territories. Broadcasts are designed to meet local needs. Routine programming is repeated every few minutes and consists of local forecast, regional conditions and marine forecasts.

Additional information, including river stages and climatic data, is also provided. During emergencies, these radio broadcasts are interrupted to report specific warnings.

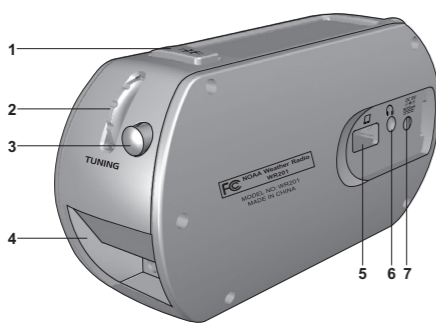
OVERVIEW

FRONT VIEW



- VOL knob: turn on / off radio; adjust volume
- SIREN : turn emergency alarm on/off
- Solar panel
- MODE switch: select radio (AM / FM), National Weather Radio (NWR channels 1-7) or mobile phone charging
- Crank: wind to charge battery or mobile phone
- LED indicator:red light to indicate unit / mobile phone is charging or green light to indicate radio is on

BACK VIEW



- turn flashlight on/off
- TUNING: adjust radio frequency (AM / FM only)
- Antenna
- Light
- Mobile phone charger jack
- Headphone jack
- DC adapter jack

POWER SOURCE

This Multi-Powered Emergency Radio has a built-in rechargeable battery that can store energy from different sources: a solar panel, a manual hand crank, or electricity via an adapter (not included in package).

IMPORTANT AM/FM radio and NOAA radio do not function when battery is low. Promptly recharge battery to prevent disruptions to broadcasts or playing of music.

Insert rechargeable battery:

- Using a screwdriver, remove screw from battery compartment cover and lift cover away.
- Insert battery pack (with cylinders lying sideways).
- Align holes in the connector with the pins, then push connector in.



- Tuck wires in and ensure they are within the battery compartment area.
- Close battery compartment cover and secure with screw.

SOLAR POWER

Expose the solar panel directly to sunlight.

TIPS

- For best results when charging the battery, place the solar panel directly with view to sunlight.
- Direct solar panel as follows:

Solar panel facing:	if you reside in the:
North	Southern Hemisphere
South	Northern Hemisphere

- It takes approximately 18 hours to fully charge the battery by solar power (under strong light conditions).
- Do not scratch the solar panel's surface or wipe it with strong detergent.
- Do not expose the solar panel to rain, snow or moisture.
- The duration of the rechargeable battery's charging or operating time is determined by either the intensity of sunlight or the position of the solar panel towards the sun.
- Do not overcharge the batteries.

NOTE Solar panel cannot be used to charge mobile phone.

CRANK

IMPORTANT Wind crank at a steady rate of at least 2 revolutions per second. To indicate the phone is receiving enough power to charge, a red LED will light up. Continue cranking at this rate until you feel your mobile phone has been adequately charged. The red LED will be lit for the duration of the charging process.

If for any reason cranking was stopped, wait at least 5 seconds before beginning to crank again.

Damages to your mobile phone and/or battery may result from not following these instructions for which Oregon Scientific disclaims any liability. Oregon Scientific will not be held liable for any actual or consequential damages arising from this.

Mobile phones can only be charged by cranking or by adapter (separate purchase required).

To charge unit:

- Slide **MODE** switch to any position other than
- Lift crank and wind clockwise.

To charge mobile phone:

- Using USB cable (not included) connect one end to the mobile phone and the other end to mobile phone charger jack.
- Slide **MODE** switch to select
- Lift crank and wind clockwise.

NOTE 1 minute of winding can power the radio for approx. 10 minutes. It would take approximately 50 minutes of continuous winding (2 turns per second) to fully charge the battery.

NOTE Some smartphone models may not charge using the crank and the USB slot in this product. Please test this function using your phone to ensure that it works with your product. You may also want to consider charging an external battery pack as a backup for emergencies.

ELECTRICITY FROM ADAPTER

To use this feature, purchase a 5V adapter.

- Lift the soft plastic cover located on the back of the unit.
- Plug adapter into the unit and the other end to wall outlet.
- Slide **MODE** switch to or any other position depending on what you intend to charge.

NOTE It takes 2.5 hours to fully charge the battery by using a charger, that is not included.

AM/FM RADIO

NOTE When battery is low, radio cannot be turned on.

To turn radio on / off and adjust volume:

- Turn VOL knob.

Green light indicates radio is on.

NOTE When charging, even if radio is on, indicator light will be red.

To select frequency:

- Slide **MODE** switch to select AM or FM.
- Turn **TUNING** wheel to adjust frequency.

TIP Reception quality may vary; try positioning in various locations. If using the unit indoors, reception will improve as you get closer to windows or upper rooms of your residence or location. Be sure to extend the antenna to improve reception as well.

NOAA WEATHER RADIO

FINDING LOCAL CHANNELS

National Weather Service uses one of 7 preset radio frequencies for their NOAA Weather Radio transmitters across the country. Please refer to the below phone number and website link to find the right channel for your local county:

To contact the NWS by telephone:

- Phone 1-888-NWR-SAME (1-888-697-7263).
- Follow prompts through a simple voice menu.

To obtain NWS radio channels on the internet:

- Locate www.nws.noaa.gov/nwr/indexnw.htm
- Click the State for which information is needed.

For example, clicking on "Montana" will give a list of information relevant to the State of Montana including the names of counties, NWR transmitter locations, the frequency of the transmitter, the strength of the signal in WATTS, and any remarks as applicable.

Example of the first 10 county radio channels:

COUNTY	NWR TRANS-MITTER	FREQ MHz	CALL	CHOOSE RADIO CHANNEL
Beaverhead	Butte,MT	162.550	WXL79	7
Beaverhead	Dillon,MT	162.475	WNG638	4
Big Horn	Billings,MT	162.550	WXL27	7
Blaine	Havre, MT	162.400	WXL53	1
Blaine	Billings MT	162.475	WVG85	4
Broadwater	Helena, MT	162.400	WXX66	1
Carbon	Billings MT	162.550	WXL27	7
Carter	Baker, MT	162.550	WXX57	7
Cascade	Great Falls, MT	162.550	WXL43	7
Chouteau	Miles Hill, MT	162.500	WWG84	5

After identifying the frequency of your local NOAA Weather Radio transmitter, refer to below table to find the corresponding channel (1-7).

To receive weather alerts, slide the **MODE** switch to select the NOAA weatherband channel (WB 1-7) for your area.

CHANNEL	CORRESPONDING RADIO FREQUENCY
1	162.400 MHz
2	162.425 MHz
3	162.450 MHz
4	162.475 MHz
5	162.500 MHz
6	162.525 MHz
7	162.550 MHz

NOTE When battery is low, NOAA radio cannot be turned on.

RECEPTION TEST

The fact that you can get clear voice reception does not guarantee that an emergency alert will trigger your unit's alert tone. To test actual reception, your unit must receive a test or emergency alert signal broadcast. Try positioning the radio in different locations to find a place where it can receive a clear signal to ensure its effectiveness.

The National Weather Service (NWS) broadcasts a test alert every week on Wednesday between 10AM and 12PM (noon). To receive the test message make sure that a Channel has been selected.

To find out the specific test schedule in your area, contact your local National Oceanic and Atmospheric Administration (NOAA) or National Weather Service (NWS) office. These offices are usually listed in the telephone book under "US Government".

If you have any questions regarding alarm tests or to verify if a test was conducted, contact the programming office of your local NOAA Weather Radio station.

EMERGENCY SIREN

This emergency radio is equipped with a siren to help you call the attention of passerby should you be in distress or encounter an emergency situation.

To turn emergency alarm on:

Push SIREN switch outward.

To turn alarm off, push SIREN switch back to its original position.

FLASHLIGHT

Press to turn flashlight on / off.

SPECIFICATIONS

TYPE	DESCRIPTION
Dimensions (L x W x H)	6.3 x 1.8 x 3.0 inches (160 x 45 x 77 mm)
Weight	10.9 oz (308 g)
AM radio	520 – 1710 KHz
FM radio	88 – 108 MHz
NOAA radio	162.400 - 162.550 MHz
Battery	350mAh 3.6V NI-MH rechargeable battery
DC adapter	DC5V 500mA (not includ)

PRECAUTIONS

- Do not subject the unit to excessive force, shock, dust, temperature or humidity.
- Do not cover the ventilation holes with any items such as newspapers, curtains etc.
- Do not immerse the unit in water. If you spill liquid over it, dry it immediately with a soft, lint-free cloth.
- Do not clean the unit with abrasive or corrosive materials.
- Do not tamper with the unit's internal components. This invalidates the warranty.
- Only use fresh batteries. Do not mix new and old batteries.
- Images shown in this manual may differ from the actual display.
- When disposing of this product, ensure it is collected separately for special treatment and not as household waste.
- Placement of this product on certain types of wood may result in damage to its finish for which Oregon Scientific will not be responsible. Consult the furniture manufacturer's care instructions for information.
- The contents of this manual may not be reproduced without the permission of the manufacturer.
- Do not dispose old batteries as unsorted municipal waste. Collection of such waste separately for special treatment is necessary.
- Please note that some units are equipped with a battery safety strip. Remove the strip from the battery compartment before first use.
- Should there be any discrepancies between the English and other language versions, the English version shall apply and prevail.

NOTE The technical specifications for this product and the contents of the user manual are subject to change without notice.

NOTE Features and accessories will not be available in all countries. For more information, please contact your local retailer.

ABOUT OREGON SCIENTIFIC

Visit our website (www.oregonscientific.com) to learn more about Oregon Scientific products.

For any enquiry, please contact our Customer Services at info@oregonscientific.com.

FCC STATEMENT

This device complies with Part 15 of the FCC Rules. Operation is subject to the following two conditions: (1) This device may not cause harmful interference, and (2) This device must accept any interference received, including interference that may cause undesired operation.

WARNING Changes or modifications not expressly approved by the party responsible for compliance could void the user's authority to operate the equipment.

NOTE This equipment has been tested and found to comply with the limits for a Class B digital device, pursuant to Part 15 of the FCC Rules. These limits are designed to provide reasonable protection against harmful interference in a residential installation.

This equipment generates, uses and can radiate radio frequency energy and, if not installed and used in accordance with the instructions, may cause harmful interference to radio communications. However, there is no guarantee that interference will not occur in a particular installation. If this equipment does cause harmful interference to radio or television reception, which can be determined by turning the equipment off and on, the user is encouraged to try to correct the interference by one or more of the following measures:

- Reorient or relocate the receiving antenna.
- Increase the separation between the equipment and receiver.
- Connect the equipment into an outlet on a circuit different from that to which the receiver is connected.
- Consult the dealer or an experienced radio / TV technician for help.

DECLARATION OF CONFORMITY

The following information is not to be used as contact for support or sales. Please visit our website at www.oregonscientific.com for all enquiries.

We
Name: Oregon Scientific, Inc.
Address: 19861 SW 95th Ave., Tualatin, Oregon 97062 USA
Telephone No.: 1-800-853-8883

declare that the product

Product No.: WR201
Product Name: Multi-Powered Emergency Radio
Manufacturer: IDT Technology Limited
Address: Block C, 9/F, Kaiser Estate, Phase 1, 41 Man Yue St., Hung Hom, Kowloon, Hong Kong

is in conformity with Part 15 of the FCC Rules. Operation is subject to the following two conditions: 1) This device may not cause harmful interference. 2) This device must accept any interference received, including interference that may cause undesired operation.

Radio à Alimentation Multiple pour situations d'urgence
Modèle : WR201

NOTICE D'UTILISATION

FR INTRODUCTION

Ne perdez jamais le contact avec ce qui se passe autour de vous grâce à cet appareil très pratique: restez à l'écoute de votre station radio favorite ou écoutez les alertes météo en cours.

Équipée d'une sirène d'alarme, d'une lampe torche et de la capacité de recharger votre téléphone portable, cette Radio à Alimentation Multiple pour situations d'urgence est l'accessoire indispensable de vos aventures de plein air.

Gardez cette notice à portée de main quand vous utilisez ce nouveau matériel. Elle contient des instructions pratiques détaillées ainsi que les caractéristiques techniques et les avertissements que vous devriez connaître.

REMARQUE Cet appareil est équipé spécifiquement pour l'accès au réseau de Radio Météo NOAA, mais il n'a pas de fonction d'alerte quand des alertes météo se produisent. Pour les fonctions d'alerte, veuillez considérer nos modèles WR202 ou WR203 avec fonctions d'alerte standard et d'alerte SAME.

A PROPOS DU RÉSEAU NATIONAL. DERADIO MÉTÉO

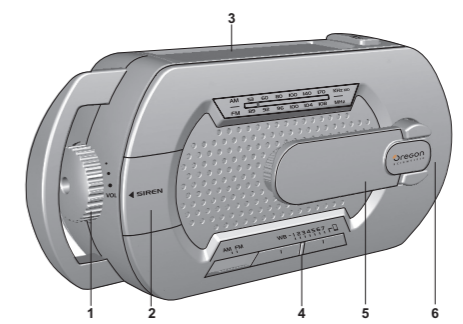
Le service Météorologique National (NWS) est une agence qui fait partie de l'Administration Nationale Océanique & Atmosphérique (NOAA) qui gère un réseau national de stations radio connu comme Radio Météo NOAA (NWR). Le système de radio NWR diffuse des informations d'alerte concernant tous types de dangers, soit naturels, soit technologiques. En conjonction avec le Système d'Alertes d'Urgence (EAS), NWR est un réseau intégré pour tous les risques et est considéré comme source unique de toute l'information complète sur la météo et les alertes d'urgence.

Étant un réseau national, NWR est constitué de plus de 1000 stations aux États-Unis, à Porto Rico, aux Iles Vierges Américaines et dans les territoires américains du Pacifique. Les émissions sont conçues pour répondre aux besoins locaux. Un programme de routine est répété à quelques minutes d'intervalle et comprend des prévisions locales, les conditions météo régionales et les prévisions météo marines.

De l'information supplémentaire, y compris les niveaux des rivières et les données climatiques, est également fournie. En cas d'urgence, ces émissions de routine sont interrompues pour diffuser des alertes spécifiques.

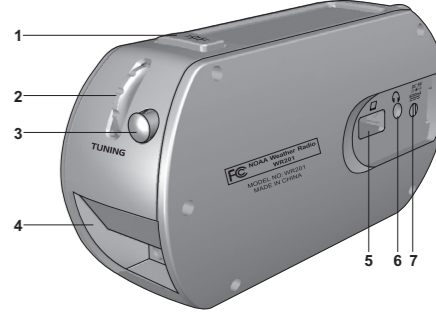
VUE D'ENSEMBLE

VUE AVANT



- VOL : bouton pour allumer / éteindre la radio et régler le volume
- SIREN : allumer / éteindre la sirène d'alarme
- Panneau solaire
- MODE: interrupteur pour sélectionner la fréquence radio (AM / FM), la Radio Météo Nationale (NWR canaux 1-7) ou le chargement de téléphone portable
- Manivelle: à remonter pour charger la batterie ou un téléphone portable
- Voyant LED: le voyant rouge indique que l'appareil ou le téléphone portable est en train d'être chargé, le voyant vert indique que la radio est en marche

VUE ARRIÈRE



- Allume / Éteint la lampe torche
- TUNING: ajuste la fréquence radio (AM / FM seulement)
- Antenne
- Lampe
- Prise de chargement de téléphone portable
- Prise de casque
- Prise d'adaptateur courant continu

SOURCE D'ALIMENTATION

Cette Radio à Alimentation Multiple pour situations d'urgence a une batterie rechargeable qui peut entreposer l'énergie de sources différentes: un panneau solaire, une manivelle ou de l'alimentation électrique par un adaptateur (qui n'est pas inclus).

IMPORTANT la radio AM/FM et la radio NOAA ne fonctionnent pas quand les piles sont faibles. Recharger les piles promptement pour éviter les interruptions des émissions ou de l'écoute de musique.

Insertion de la batterie rechargeable :

- Avec un tournevis, dévisser la vis du compartiment à batterie et enlever le couvercle.
- Insérer le bloc batterie (la partie cylindrique positionnée parallèlement à la radio).
- Aligner les trous de connexion avec les broches et enfoncer le connecteur.



- Ranger les fils soigneusement pour s'assurer qu'ils sont à l'intérieur du compartiment à batterie.
- Refermer le couvercle du compartiment à batterie et le verrouiller avec la vis.

ALIMENTATION SOLAIRE

Exposer le panneau solaire directement à la lumière du soleil.

ASTUCES

- Pour de meilleurs résultats quand vous rechargez la batterie, placer le panneau solaire en vue directe du soleil.
- Diriger le panneau solaire comme suit :

Le panneau solaire fait face à :	Si vous résidez dans:
Nord	L'Hémisphère Sud
Sud	L'Hémisphère Nord

- Il faut environ 18 heures pour charger la batterie complètement par alimentation solaire (avec un ensoleillement fort).
- Ne pas rayer la surface du panneau solaire ou le nettoyer avec un détergent puissant.
- Ne pas exposer le panneau solaire à la pluie, la neige ou l'humidité.
- La durée de chargement de la batterie rechargeable ou le temps d'utilisation sont déterminés soit par l'intensité de l'ensoleillement, soit par la position du panneau solaire par rapport au soleil.
- Ne pas charger la batterie excessivement.

REMARQUE Le panneau solaire ne peut pas être utilisé pour charger les téléphones portables.

MANIVELLE


IMPORTANT Tourner la manivelle à un rythme régulier d'au moins 2 tours à la seconde. Pour indiquer que le téléphone reçoit suffisamment d'électricité, un voyant LED rouge va s'allumer. Continuer à tourner à ce rythme jusqu'à ce que vous pensiez que votre téléphone portable a été chargé de manière adéquate. Le voyant LED rouge reste allumé pendant tout le processus de chargement.

Si pour n'importe quelle raison la manivelle a été arrêtée, attendre au moins 5 secondes avant de recommencer à la tourner.


Des dégâts à votre téléphone portable et/ou à la batterie pour lesquels Oregon Scientific nie toute responsabilité pourraient résulter si ces instructions n'étaient pas suivies. Oregon Scientific ne sera pas tenu responsable pour tous dommages actuels ou conséquents résultant de cela.

Le téléphone portable ne peut être rechargé qu'en utilisant la manivelle ou l'adaptateur (achat séparé requis).

Pour charger l'appareil :

- Faire glisser l'interrupteur **MODE** sur tout autre position que 
- Soulever la manivelle et remonter dans le sens des aiguilles d'une montre.

Pour charger un téléphone portable :


- Utiliser un câble USB (non inclus) et connecter une extrémité au téléphone portable et l'autre à la prise de chargement.
- Faire glisser l'interrupteur **MODE** pour choisir 
- Soulever la manivelle et remonter dans le sens des aiguilles d'une montre.

REMARQUE 1 minute de remontage peut alimenter la radio pendant environ 10 minutes. Il faudrait environ 50 minutes de remontage continu (2 tours par seconde) pour charger complètement la batterie.

REMARQUE La recharge de certains modèles de Smartphone par l'utilisation de la manivelle et du port USB peut ne pas fonctionner avec cet appareil. Veuillez tester cette fonction avec votre téléphone pour vous assurer que celui-ci est compatible avec cet appareil. Ce serait aussi une bonne idée de charger une batterie externe comme dépannage en cas d'urgence.

ELECTRICITÉ D'UN ADAPTEUR

Pour utiliser cette fonction, acheter un adaptateur 5V.

- Levez le petit couvercle en caoutchouc situé à l'arrière de l'appareil.
- Brancher l'adaptateur dans l'appareil et l'autre bout dans une prise électrique.
- Faire glisser l'interrupteur **MODE** sur  ou tout autre position selon ce que vous voulez charger.

REMARQUE Il faut 2,5 heures pour charger complètement la batterie en utilisant un chargeur qui n'est pas inclus.

RADIO AM/FM

REMARQUE Quand les piles sont faibles, la radio ne peut pas être allumée.

Pour allumer / éteindre la radio et ajuster le volume:

- Tourner le bouton **VOL**.

Le voyant vert indique que la radio est en marche.

REMARQUE Durant le chargement, même si la radio est en marche, le voyant sera rouge.

Pour choisir la fréquence :

- Faire glisser l'interrupteur **MODE** pour choisir AM ou FM.
- Tourner le bouton **TUNING** pour ajuster la fréquence.

ASTUCE La qualité de réception peut varier : essayer de positionner la radio dans des endroits variés. Si l'appareil est utilisé à l'intérieur, la réception deviendra meilleure près des fenêtres ou aux étages supérieurs de votre résidence ou lieu d'utilisation. Assurez vous aussi d'étendre l'antenne pour améliorer la réception.

RADIO MÉTÉO NOAA

COMMENT TROUVER UNE CHAÎNE LOCALE

Le Service Météo National utilise une des 7 fréquences radio pré-réglées pour ses émetteurs de la Radio Météo NOAA dans tout le pays. Veuillez vous référer à la liste de numéros de téléphone et au lien du site web ci-dessous pour trouver la chaîne appropriée pour votre localisation :

Pour contacter NWS par téléphone:

- Appeler 1-888-NWR-SAME (1-888-697-7263).
- Suivre les indications d'un menu vocal simple.

Pour obtenir les chaînes radio NWS sur l'internet:

- Trouver le site www.nws.noaa.gov/nwr/indexnw.htm
- Cliquer sur l'état pour lequel l'information est recherchée.

Par exemple, cliquer sur "Montana" donnera une liste d'informations sur l'état du Montana, y compris les noms des comtés, les emplacements des émetteurs NWR, la fréquence de l'émetteur, la puissance du signal en WATTS, et toutes remarques applicables.

Exemple des 10 premières chaînes radio par comté :

COMTÉ	ÉMETTEUR NWR	FREQ MHZ	NOM	CHOISIR LA CHAÎNE RADIO
Beaverhead	Butte, MT	162.550	WXL79	7
Beaverhead	Dillon, MT	162.475	WNG638	4
Big Horn	Billings, MT	162.550	WXL27	7
Blaine	Havre, MT	162.400	WXL53	1
Blaine	Billings MT	162.475	WWG85	4
Broadwater	Helena, MT	162.400	WXK66	1
Carbon	Billings MT	162.550	WXL27	7
Carter	Baker, MT	162.550	WXK57	7
Cascade	Great Falls, MT	162.550	WXJ43	7
Chouteau	Miles Hill, MT	162.500	WWG84	5

Après avoir identifié la fréquence de votre émetteur local de la Radio Météo NOAA, référez-vous au tableau ci-dessous pour trouver la chaîne correspondante (1-7).

Pour recevoir les alertes météo, faire coulisser l'interrupteur **MODE** pour choisir le canal de la fréquence météo NOAA (WB 1-7) pour votre zone.

Des exemples de quelle radio choisir pour un endroit spécifique sont donnés dans la colonne à l'extrême droite du tableau ci-dessus.

CHAÎNE	FREQUENCE RADIO CORRESPONDANTE
1	162.400 MHz
2	162.425 MHz
3	162.450 MHz
4	162.475 MHz
5	162.500 MHz
6	162.525 MHz
7	162.550 MHz

REMARQUE Quand les piles sont faibles, la radio NOAA ne peut pas être allumée.

TEST DE RÉCEPTION

Le fait que vous pouvez avoir une réception claire ne garantit pas qu'une alerte d'urgence aille déclencher le son d'alerte de votre unité. Pour tester la réception proprement dite, votre unité doit recevoir un signal de test ou d'alerte d'urgence émis. Pour s'assurer de son efficacité, essayer de positionner la radio à des endroits différents afin de trouver une place où elle peut recevoir un signal clair.

Le Service Météorologique National (NWS) émet un test d'alerte chaque semaine le mercredi entre 10H00 et 12H00 (midi). Pour recevoir le message test s'assurer qu'un canal a été sélectionné.

Pour trouver l'horaire de test spécifique à votre région, contactez votre National Oceanic and Atmospheric Administration (NOAA) locale ou le bureau du Service Météorologique National (NWS). Ces bureaux sont habituellement listés dans l'annuaire du téléphone dans la rubrique "US Government".

Si vous avez des questions concernant les tests d'alarme ou pour vérifier si un test a été émis, contacter le bureau des programmes de votre station Radio Météo NOAA locale.

SIRÈNE D'ALARME

Cette radio d'urgence est équipée d'une sirène pour vous aider à attirer l'attention des passants au cas où vous vous trouviez dans une situation d'urgence.

Pour allumer l'alarme d'urgence:

Pousser le bouton  **SIREN** vers l'extérieur.

Pour éteindre l'alarme, remettre le bouton  **SIREN** dans sa position d'origine.

LAMPE TORCHE

Appuyer sur  pour allumer / éteindre la lampe torche.

CARACTÉRISTIQUES

TYPE	DESCRIPTION
Dimensions (L x l x H) (160 x 45 x 77 mm)	6.3 x 1.8 x 3.0 pouces
Poids	10.9 onces (308 g)
Radio AM	520 – 1710 KHz
Radio FM	88 – 108 MHz
Radio NOAA	162.400 – 162.550 MHz
Batterie	Batterie rechargeable 350mAh 3.6V Ni-MH
Adaptateur	DC5V 500mA (non inclus)

PRÉCAUTIONS

- Ne pas soumettre le produit à une force excessive, au choc, à la poussière, aux changements de température ou à l'humidité.
- Ne pas couvrir les trous de ventilation avec des journaux, rideaux etc.
- Ne pas immerger le produit dans l'eau. Si vous renversez du liquide sur l'appareil, séchez-le immédiatement avec un tissu doux.
- Ne pas nettoyer l'appareil avec des matériaux corrosifs ou abrasifs.
- Ne pas trafiquer les composants internes. Cela invalidera votre garantie.
- N'utilisez que des piles neuves. Ne pas mélanger des piles neuves et usagées.
- Les images de ce manuel peuvent dif férer de l'aspect réel du produit.
- Lorsque vous désirez vous débarrasser de ce produit, assurez-vous qu'il soit collecté séparément pour un traitement adapté.
- Le poser sur certaines surfaces en bois peut endommager la finition du meuble, et Oregon Scientific ne peut en être tenu responsable. Consultez les mises en garde du fabricant du meuble pour de plus amples informations.
- Le contenu du présent manuel ne peut être reproduit sans la permission du fabricant.
- Ne pas jeter les piles usagées dans les containers municipaux non adaptés. Veuillez effectuer le tri de ces ordures pour un traitement adapté si nécessaire.
- Veillez remarquer que certains appareils sont équipés d'une bande de sécurité. Retirez la bande du compartiment des piles avant la première utilisation.
- En cas de différences entre la version en langue anglaise et les versions en langue étrangère, la version en langue anglaise prévaudra et s'appliquera.

REMARQUE Les caractéristiques techniques de ce produit et le contenu de ce manuel peuvent être soumis à modifications sans préavis.

REMARQUE Caractéristiques et accessoires ne seront pas valables pour tous les pays. Pour plus d'information, contacter le détaillant le plus proche.

À PROPOS D'OREGON SCIENTIFIC

Pour plus d'informations sur les produits Oregon Scientific France, rendez-vous sur notre site www.oregonscientific.fr.

Besoin de plus d'informations ? Contactez notre service client expert à info@oregonscientific.com.

Radio de Emergencia con Fuente de Alimentación Múltiple

Modelo: WR201

MANUAL DEL USUARIO

ES

INTRODUCCIÓN

Esté siempre al día de los últimos acontecimientos gracias a este práctico dispositivo: Manténgase sintonizado con su emisora de radio favorita o escuche las advertencias meteorológicas más recientes.

La radio de emergencia con fuente de alimentación múltiple, que viene equipada con una sirena de emergencia, una linterna y puede cargar su teléfono móvil, es un artículo imprescindible para sus aventuras al aire libre.

Mantenga este manual a mano cuando utilice su nuevo producto. Contiene instrucciones prácticas paso a paso, así como especificaciones técnicas y advertencias con las que se debe familiarizar.

NOTA Este producto está especialmente equipado para acceder a la radio del tiempo NOAA, aunque no tiene una función de alerta cuando se producen alertas meteorológicas.Para la recepción de alertas, consulte nuestros modelos WR202 y WR203 o modelos con la función de Alerta y Alerta SAME.

ACERCA DEL SISTEMA NACIONAL DE RADIO DEL TIEMPO

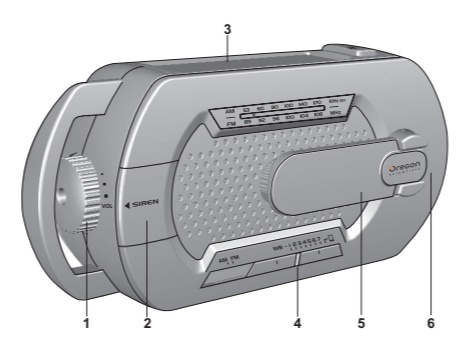
El Servicio Nacional de Meteorología (NWS) es una agencia de la Administración Nacional Oceánica y Atmosférica (NOAA), que opera una red nacional de estaciones de radio conocida como la Radio del Tiempo NOAA (NWR).El sistema de radio NWR transmite alertas informativas para todo tipo de amenazas, tanto naturales como tecnológicas.En conjunción con el Sistema de Alerta de Emergencia (EAS), la NWR es una red de radiotransmisión todo-en-uno para amenazas meteorológicas y es considerada la única fuente para todo tipo de información relacionada con el tiempo y con situaciones de emergencia.


La red nacional de NWR se compone de más de 1000 estaciones en los Estados Unidos, Puerto Rico, las Islas Vírgenes de los EE.UU. y los Territorios de EE.UU. en el Pacífico.Las emisiones de radio están diseñadas para satisfacer las necesidades de cada región.La programación se repite cada pocos minutos y consta de un pronóstico local, de las condiciones meteorológicas de la región y de los pronósticos marinos.

También se proporciona información adicional, como los niveles de caudal de los ríos y los datos climáticos.Durante las emergencias, las emisiones regulares se interrumpen para informar acerca de alertas específicas.

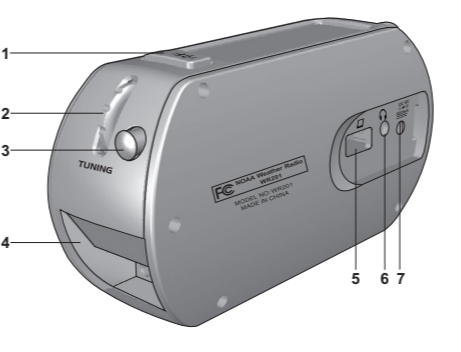
RESUMEN


VISTA FRONTAL



- Botón VOL:** Enciende / apaga la radio y ajusta el volumen
-  **SIREN** : Activa / desactiva la alarma de emergencia
- Panel solar
- Selector de **MODO** : Seleccione la frecuencia de radio (AM / FM), la Radio Nacional de Meteorología (canales 1-7 de NWR) o la carga del teléfono móvil
- Manivela: Gire la manivela para cargar la batería o el teléfono móvil
- Indicador LED: luz roja para indicar que la unidad / teléfono móvil está cargando o la luz verde para indicar que la radio está encendida

VISTA TRASERA



-  Enciende / apaga la linterna
- TUNING (SINTONIZADOR):** Ajusta la frecuencia de radio (AM / FM)
- Antena
- Luz
- Conector del cargador de teléfono móvil
- Toma de auriculares
- Toma de alimentación

FUENTE DE ALIMENTACIÓN

Este Radio de Emergencia con Fuente de Alimentación Múltiple incluye una batería recargable que puede almacenar la energía de diversas fuentes: Un panel solar, una manivela manual o un adaptador (No incluido con el producto) para suministrar corriente.

IMPORTANTE La radio AM/FM y la radio NOAA no funcionan cuando las pilas están bajas de energía. Recargue las pilas inmediatamente para evitar interrupciones en las transmisiones o la reproducción musical.

Inserte la batería recargable:

- Con un destornillador, quite el tornillo de la tapa del compartimento de la batería y levante la tapa.
- Inserte la batería (con los lados cilíndricos hacia los lados).
- Alinee los agujeros del conector con los pines y, a continuación, inserte el conector.



- Empuje los cables hacia dentro y asegúrese de que permanezcan en el interior del compartimento de la batería.
- Cierre el compartimento de la batería y asegure la tapa con el tornillo.

ENERGÍA SOLAR

Exponga el panel solar directamente a la luz del sol.

CONSEJOS

- Para obtener mejores resultados al cargar la batería, coloque el panel solar directamente en dirección al sol.
- Posicione el panel solar de la siguiente manera:

Dirección del panel solar:	Región en la que reside:
Norte	Hemisferio sur
Sur	Hemisferio norte

- Se tarda unas 18 horas en cargar completamente la batería mediante energía solar (En condiciones de luz intensa).
- No raye la superficie del panel solar ni la limpie con un detergente fuerte.
- No exponga el panel solar a la lluvia, la nieve o la humedad.
- El tiempo de recarga o funcionamiento de la batería recargable se determina por la intensidad de la luz solar o la dirección de los paneles solares respecto al sol.
- No sobrecargue la batería.

NOTA El panel solar no se puede utilizar para cargar el teléfono móvil.

MANIVELA


IMPORTANTE Dele vueltas a la manivela a un ritmo constante de 2 revoluciones por segundo como mínimo. El indicador LED rojo se iluminará para indicarle si el móvil está recibiendo suficiente energía. Continúe dándole vueltas a este ritmo hasta que su móvil se haya recargado lo suficiente. El LED rojo se iluminará durante la recarga.

Si por cualquier motivo dejara de darle vueltas a la manivela, espere un mínimo de 5 segundos antes de empezar a darle vueltas de nuevo.


Se pueden producir daños en su móvil y/o la batería, de los que Oregon Scientific no se hace responsable, si no se respetan estas instrucciones. Oregon Scientific no se hará responsable de ningún daño real o consecuente como resultado de esto.

Los teléfonos móviles sólo puede cargarse mediante el uso de la manivela o de un adaptador de alimentación (Requiere su compra por separado).

Para cargar la unidad:

- Desplace el selector de **MODO** a cualquier posición distinta a 
- Levante la manivela y gire en sentido horario.

Para cargar el teléfono móvil:


- Mediante el cable USB (No incluido), conecte un extremo al teléfono móvil y el otro extremo al conector del cargador de teléfono móvil.
- Desplace el selector de **MODO** a la posición 
- Levante la manivela y gire en sentido horario.

NOTA 1 minuto girando la manivela puede suministrar suficiente energía para unos 10 minutos de radio.Si necesitarían alrededor de 50 minutos girando la manivela de manera continua (2 vueltas por segundo) para cargar completamente la batería.

NOTA Algunos modelos de smartphone podrían no cargarse utilizando la biela y la ranura USB de este producto. Por favor, pruebe esta función con su teléfono para asegurarse de que funcione. También puede plantearse llevar una batería adicional para casos de emergencia.

SUMINISTRO DE CORRIENTE DEL ADAPTADOR

Para utilizar este método de alimentación, debe adquirir primero un adaptador de 5V.

- Levante la cubierta de plástico blando en la parte posterior de la unidad.
- Conecte el adaptador a la unidad y enchufe el extremo a la toma de corriente.
- Desplace el selector de **MODO** a  o cualquier otra posición dependiendo de lo que quiera cargar.

NOTA Se tarda 2,5 horas para cargar completamente la batería utilizando un cargador (No incluido).

RADIO AM / FM

NOTA Cuando la pila está baja de energía, la radio no podrá ser activada.

Para encender o apagar la radio y ajustar el volumen:

- Gire el mando del volumen (**VOL**).

La luz verde indica que la radio está encendida.

NOTA Durante la carga, incluso si la radio está encendida, la luz indicadora se iluminará de color rojo.

Para seleccionar la frecuencia:

- Desplace el selector de **MODO** para seleccionar AM o FM.
- Gire la ruedecilla del **SINTONIZADOR** para ajustar la frecuencia.

CONSEJO La calidad de la recepción puede variar de un lugar a otro. Trate de posicionar la radio en diferentes lugares. Si utiliza la radio en interiores, la recepción mejorará a medida que se acerque a las ventanas o habitaciones de arriba de su residencia u hogar. Asegúrese de extender la antena para mejorar la recepción.

RADIO METEOROLÓGICA DE NOAA

BÚSQUEDA DE CANALES LOCALES

El Servicio Meteorológico Nacional utiliza una de las siete frecuencias de radio preestablecidas para los transmisores de la radio del tiempo de NOAA distribuidos por todo el país. Por favor, remítase al siguiente número de teléfono y el enlace del sitio web para encontrar el canal adecuado de su condado:

Para contactar con el NWS por teléfono:

- Teléfono: 1-888-NWR-SAME (1-888-697-7263).
- Siga las indicaciones a través de un sencillo menú de voz.

Para obtener los canales de NWS de radio en Internet:

- Visite www.nws.noaa.gov/nwr/indexnw.htm
- Haga clic en el Estado del que requiere la información. Por ejemplo, si hace clic en "Montana" obtendrá una lista de información relevante para el Estado de Montana, incluyendo los nombres de los condados, la ubicación de los transmisores NWR, la frecuencia del transmisor, la intensidad de la señal en vatios y cualquier comentario que sea aplicable.

Ejemplo de los primeros 10 canales de radio del condado:

CONDADO	TRANSMISOR NWR	FRECUENCIA (MHZ)	NOMBRE	ELEGIR CANAL DE RADIO
Beaverhead	Butte, MT	162.550	WXL79	7
Beaverhead	Dillon, MT	162.475	WNG638	4
Big Horn	Billings, MT	162.550	WXL27	7
Blaine	Havre, MT	162.400	WXL53	1
Blaine	Billings MT	162.475	WWG85	4
Broadwater	Helena, MT	162.400	WXK66	1
Carbon	Billings MT	162.550	WXL27	7
Carter	Baker, MT	162.550	WXK57	7
Cascade	Great Falls, MT	162.550	WXJ43	7
Chouteau	Miles Hill, MT	162.500	WWG84	5

Después de identificar la frecuencia de su emisora local de Radio NOAA, consulte la siguiente tabla para encontrar el canal correspondiente (1-7).

Para recibir alertas meteorológicas, deslice el selector de **MODO** y seleccione el canal de la banda meteorológica de NOAA (WB 1-7) para su área.

Los ejemplos de qué radio elegir un lugar en particular aparecen en la columna de la derecha de la tabla anterior.

CANAL	FRECUENCIA DE RADIO CORRESPONDIENTE
1	162.400 MHz
2	162.425 MHz
3	162.450 MHz
4	162.475 MHz
5	162.500 MHz
6	162.525 MHz
7	162.550 MHz

NOTA Cuando la pila está baja de energía, la radio NOAA no podrá ser activada.

PRUEBA DE RECEPCIÓN

El hecho de que reciba claramente la voz no garantiza que una alerta de emergencia vaya a disparar el pitido de alerta de la unidad. Para comprobar la recepción real, su unidad debe recibir una señal de prueba o emergencia. Trate de ubicar la radio en diferentes lugares para encontrar uno donde pueda recibir una buena señal que garantice su efectividad.

El Servicio Nacional de Meteorología (NWS) emite una prueba de alerta cada miércoles entre las 10:00 y las 12:00 de la mañana. Para poder recibir un mensaje de prueba, asegúrese de seleccionar una canal.

Para conocer el código de prueba específico de su zona póngase en contacto con la sede local de la Administración Nacional del Océano y la Atmósfera (National Oceanic and Atmospheric Administration - NOAA), o el Servicio Nacional de Meteorología (National Weather Service - NWS). Estas agencias suelen aparecer bajo el epígrafe "Gobierno de los Estados Unidos" en la guía telefónica.

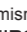
Si tiene alguna pregunta relativa a las pruebas de alarma o desea verificar si se realizó una prueba, póngase en contacto con la oficina de programación o su emisora de radio meteorológica NOAA local.

SIRENA DE EMERGENCIA

Esta radio de emergencia está equipada con una sirena para ayudarle a llamar la atención de los transeúntes si se encontrase en peligro o en una situación de emergencia.

Para activar la alarma de emergencia:

Empuje el botón de la  **SIREN** hacia fuera.

Asimismo, para apagar la alarma, vuelva a desplazar  **SIREN** a su posición original.

LINTERNA

Pulse  para encender / apagar la linterna.

ESPECIFICACIONES

TIPO	DESCRIPCIÓN
Dimensiones (L x W x H)	6.3 x 1.8 x 3.0 pulgadas (160 x 45 x 77 mm)
Peso	10.9 onzas (308 g)
Radio AM	520 - 1710 KHz
Radio FM	88 – 108 MHz
Radio NOAA	162.400 – 162.550 MHz
Batería	350mAh 3.6V Ni-MH Batería recargable
Adaptador de alimentación	DC5V 500mA (No incluido)

Free Manuals Download Website

<http://myh66.com>

<http://usermanuals.us>

<http://www.somanuals.com>

<http://www.4manuals.cc>

<http://www.manual-lib.com>

<http://www.404manual.com>

<http://www.luxmanual.com>

<http://aubethermostatmanual.com>

Golf course search by state

<http://golfingnear.com>

Email search by domain

<http://emailbydomain.com>

Auto manuals search

<http://auto.somanuals.com>

TV manuals search

<http://tv.somanuals.com>