



**Wireless Thermo-Hygro Clock
Model : RMR613HGA**

User Manual



25

CONTENTS

Contents	1
Introduction	2
About Oregon Scientific	2
Product Overview	3
Front View	3
Back View	4
Remote Sensor (THGR122NX)	5
Getting Started	6
Batteries	6
Change Settings	6
Table Stand	6
Remote Sensor (THGR122NX)	6
Setup Sensor	6
Data Transmission	7
Search for Sensor	8
Clock	8
Turn Atomic Clock ON/OFF	9
Set Clock	9
Switch Clock Display	9
Alarms	9
View Alarm Settings	9
Set Alarm	9
Activate Alarm	10

Silence Alarm	10
Temperature and Humidity	10
Select Temperature Unit	10
Select Sensor Channel	10
Minimum / Maximum Records	11
Comfort Zone	11
Reset System	11
Safety and Care	12
Warnings	12
Troubleshooting	12
Specifications	13
Main Unit Dimensions	13
Remote Sensor Dimensions	13
Temperature	13
Relative Humidity	13
Remote Sensor (THGR122NX)	13
Clock	13
Power	14
FCC Statement	14



INTRODUCTION

Thank you for selecting the Oregon Scientific™ Wireless Thermo-Hygro Clock (RMR613HGA). This device bundles precise time keeping, dual alarm, and temperature and humidity monitoring features into a single tool you can use from the convenience of your home.

In this box, you will find:

- Main unit
- Remote sensor (THGR122NX)

Keep this manual handy as you use your new product. It contains practical step-by-step instructions, as well as technical specifications and warnings you should know.

ABOUT OREGON SCIENTIFIC

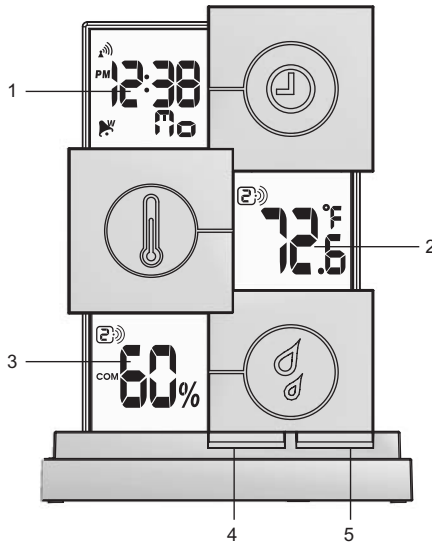
Visit our website (www.oregonscientific.com) to learn more about other Oregon Scientific products such as digital cameras, hand-held organizers, health and fitness gear, and projection clocks. The website also includes contact information for our customer service department, in case you need to reach us.



25

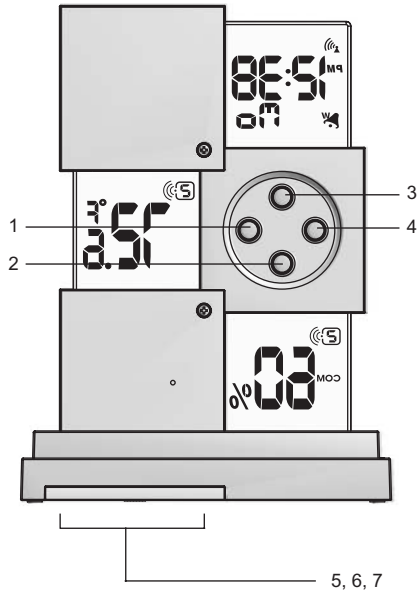
PRODUCT OVERVIEW

FRONT VIEW



1. **Clock / Alarm Area:** Date, time, dual alarm; and Atomic Clock reception status
2. **Temperature Area:** Readings; sensor channel number; remote unit reception and battery status
3. **Humidity / Comfort Zone Area:** Readings, comfort zone and battery status.
4. **Channel button:** switch remote sensor
5. **Alarm button:** view alarm status; set alarm

3

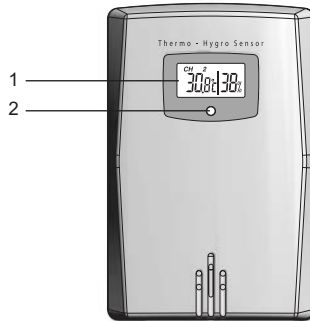


1. **MEM:** view current, maximum, and minimum temperature / humidity readings
2. **DOWN:** decrease setting / deactivate radio-controlled clock / activate or deactivate alarm
3. **UP:** increase setting / activate radio-controlled clock / activate or deactivate alarm
4. **MODE:** change display / settings
5. **Battery compartment**
6. **°C / °F switch**
7. **RESET hole**

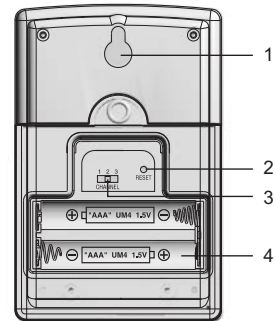


21

REMOTE SENSOR (THGR122NX)



1. LCD display
2. LED Status indicator



1. Wall mount hole
2. **RESET**
3. Channel number (1 - 3)
4. Battery compartment
(Battery compartment cover not shown)


GETTING STARTED


BATTERIES

Batteries are not supplied with this product. You will need to purchase 2 x UM-3 (AA) 1.5V alkaline batteries for the main unit, and 2 x UM-4 (AAA) 1.5V alkaline batteries for the remote sensor.

Insert the batteries before first use, matching the polarity as shown in the battery compartment. For best results, install batteries in the remote sensor before the main unit. Press **RESET** after each battery change.

NOTE Do not use rechargeable batteries.

 shows when batteries are low.

UNIT	 LOCATION
Main	Temperature Area when the INDOOR temperature is shown.
Remote	Temperature Area when the OUTDOOR temperature is shown.



CHANGE SETTINGS

1. Press and hold **MODE** for 2 seconds to enter setting mode.
2. Press **UP** or **DOWN** to change settings.
3. Press **MODE** to confirm.

REMOTE SENSOR (THGR122NX)

This product is shipped with a THGR122NX Thermo/Hygro Sensor that collects Temperature and Humidity data. Data can be collected from up to 3 sensors. Additional sensors sold separately.

SETUP SENSOR

Open the remote sensor battery compartment with a small Phillips screwdriver.



1. Insert the batteries, matching the polarity as shown in the battery compartment.
2. Set the channel. The switch is located in the battery compartment.

SWITCH	OPTION
Channel	Channel 1 - 3. If you are using more than one sensor, select a different channel for each sensor.

3. Place the sensor near the main unit. Press **RESET** on the sensor to initiate signal sending between the sensor and the main unit. The reception icon on the main unit will blink for approximately 3 minutes while it is searching for the sensor. (Refer to the **Search for Sensor** section for more information.)
4. Close the remote sensor battery compartment.
5. Secure the sensor in the desired location using the wall mount or table stand.

For best results:

- Insert the batteries and select the channel and temperature unit before you mount the sensor.
- Place the sensor out of direct sunlight and moisture.
- Do not place the sensor more than 30 meters (98 feet) from the main (indoor) unit.
- Position the sensor so that it faces the main (indoor) unit, minimizing obstructions such as doors, walls, and furniture.
- Place the sensor in a location with a clear view to the sky, away from metallic or electronic objects.
- Position the sensor close to the main unit during cold winter months as below-freezing temperatures may affect battery performance and signal transmission.

You may need to experiment with various locations to get the best results.

DATA TRANSMISSION

Data is sent from the sensor(s) every 40 seconds. The reception icon shown in the Temperature and Humidity Areas show the status.

ICON	DESCRIPTION
	Main unit is searching for sensors.
	At least 1 channel has been found.
	Channel 1 is selected (number will change depending on the sensor you select)
--- shows in Temp / Humidity Areas	The selected sensor cannot be found. Search for the sensor or check batteries.

SEARCH FOR SENSOR

To search for a sensor, press and hold **MEM** and **CHANNEL** for 2 seconds.

NOTE If the sensor is still not found, check the batteries, obstructions, and remote unit location.

NOTE Signals from household devices such as doorbells, electronic garage doors, and home security systems may cause temporary reception failure. This is normal and does not affect general product performance. The reception will resume once the interference ends.

CLOCK

This product can track the date and time for up to 2 locations (Clock with Offset Hour). The US Atomic Clock in Boulder, Colorado automatically updates this information unless you disable the feature. The signals are collected by the main unit when it is within 1500 km (932 miles) of a signal.

Initial reception takes 2 - 10 minutes, and is initiated when you first setup the unit, and whenever you press **RESET**. Once complete, the reception icon will stop blinking. The icon is shown in the Clock Area.

Strong signal	Weak signal	No signal

To force a manual search for Atomic Clock signals, press and hold **UP** for 2 seconds. If no signal is found, check the batteries.

NOTE If the Atomic Clock signal is received and the hour is incorrect, use the "hour offset" feature to adjust it to the right value. Please see "SET CLOCK" on pg. 9 for instructions.



25

TURN ATOMIC CLOCK ON/OFF

Perform this step if you cannot receive Atomic Clock signals. Press and hold **DOWN** for 2 seconds. Then, manually set the clock following the “Set Clock” instructions (below).



The signal icon indicates that the Atomic Clock feature is ON. No icon means that it is OFF

SET CLOCK

You only need to do this if you have disabled the Atomic Clock feature (for example, if you are too far from or cannot receive a signal).

1. Press and hold **MODE** for 2 seconds. The Clock Area will blink.
2. Select the offset hour, 12 / 24 hour format, hour, minute, year, month, day, and language. Press **UP** or **DOWN** to change the setting. Press **MODE** to confirm.

NOTE The language options are (E) English, (F) French, (D) German, (I) Italian, and (S) Spanish.

SWITCH CLOCK DISPLAY

Press **MODE** to toggle between Clock with Seconds, Clock with Weekday and Calendar, and Clock with Offset Hour display.

ALARMS

This product has 2 alarms: a Single Alarm and a Weekday Alarm. The Single Alarm can be set to go off at a specific time for a one-time event (for example, if you are napping on Saturday). The Weekday Alarm will sound at the same time Monday - Friday (but not on weekends).

VIEW ALARM SETTINGS

Press **ALARM** to display the Alarm settings you wish to view: Weekday  or Single .

SET ALARM

1. Press **ALARM** to display the type of Alarm you wish to set: Weekday or Single.
2. Press and hold **ALARM** for 2 seconds. The Alarm settings will blink.
3. Select the hour and minute. Press **UP** or **DOWN** to change settings. Press **ALARM** to confirm.



ACTIVATE ALARM

Press **ALARM** to switch to Weekday or Single Alarm view. To activate or deactivate the alarm, press **UP** or **DOWN**.

- Alarm deactivated: --:--
- Alarm activated: Alarm time is shown

The bell icons ^w and ^s indicate the alarm display mode selected.

SILENCE ALARM

When the Alarm time is reached, the crescendo alarm will sound for 2 minutes. Press **ALARM** to silence it. The Weekday Alarm will sound at the same time the next day provided the next day is Monday - Friday. The Single Alarm will not sound unless you manually activate it again.



TEMPERATURE AND HUMIDITY

This product can display the following information from the remote sensors:

- Current, minimum, and maximum temperatures and relative humidity percentages.
- Comfort level

Data is collected and displayed every 40 seconds.

SELECT TEMPERATURE UNIT

Slide the °C / °F switch into the desired location. The switch is located in the battery compartment. The setting for the main unit overrides the remote sensor setting.

SELECT SENSOR CHANNEL

Press **CHANNEL** to switch between sensors 1 - 3.

The icon shows the selected sensor.





Kinetic-wave Icon				
Designated Display	Indoor Display	Remote Display Channel 1	Remote Display Channel 2	Remote Display Channel 3

To auto-scan between sensors, press and hold **CHANNEL** for 2 seconds. Each sensor's data will be displayed for 3 seconds. To end auto-scan, press **CHANNEL** or **MEM**.

NOTE If you use a sensor that collects only temperature data, humidity will not be shown.

MINIMUM / MAXIMUM RECORDS

Press **MEM** to toggle between current, maximum (MAX) and minimum (MIN) records for the selected sensor. To clear the records, press and hold **MEM** for 2 seconds.

A beep will sound to confirm that the memory has been cleared.

COMFORT ZONE

The Comfort Zone indicates how comfortable the climate is, based on current temperature and humidity measurements.

ZONE	TEMPERATURE	HUMIDITY
WET	Any	>70%
COM	20 – 25 ° C (68 - 77 ° F)	40 – 70%
DRY	Any	<40%

This information is shown in the Humidity Area when the current measurement is displayed.

RESET SYSTEM

The **RESET** buttons are located in the battery compartment for the main unit and sensors. Press **RESET** when you change the batteries and whenever performance is not behaving as expected (for example, unable to establish radio frequency link with remote sensor or radio-controlled clock).

NOTE When you press **RESET**, all settings will return to default value, and you will lose all stored information.

SAFETY AND CARE

Clean the product with a slightly damp cloth and alcohol-free mild detergent. Avoid dropping the product or placing it in a high-traffic location.

WARNINGS

This product is designed to give you years of service if handled properly. Observe the following guidelines:

- Never immerse the product in water. This can cause electrical shock and damage the product.
- Do not subject the main unit to extreme force, shock, or fluctuations in temperature or humidity.
- Do not tamper with the internal components.
- Do not mix new and old batteries or batteries of different types.
- Do not use rechargeable batteries with this product.
- Remove the batteries if storing this product for a long period of time.
- Do not scratch the LCD display.

Do not make any changes or modifications to this product. Unauthorized changes may void your right to use the product. The technical specification of this product and contents of this user guide are subject to change without notice. Images not drawn to scale.

TROUBLESHOOTING

Check here before contacting our customer service department.

Problem	Symptom	Remedy
Calendar	Strange date / month	Change language (→ 9)
Clock	Cannot adjust clock	Disable Atomic Clock (→ 9)
	Cannot auto-synch	<ol style="list-style-type: none"> 1. Adjust batteries. (→ 6) 2. Press RESET (→ 11) 3. Manually activate Atomic Clock feature (→ 8)
Temp	Shows "LLL" or "HHH"	Temperature is out-of-range



Problem	Symptom	Remedy
Remote sensor	Cannot locate remote sensor	Check batteries (→ 6)
		Check location (→ 6)
	Cannot change channel	Check sensors. Only one sensor is working (→ 6)
	Data does not match main unit	Initiate a manual sensor search (→ 8)

TEMPERATURE

Unit	°C or °F
Indoor Range	-5 °C to 50 °C (23 °F to 122 °F)
Outdoor Range	-20 °C to 60 °C (-4 °F to 140 °F)
Resolution	0.1 °C (0.2 °F)

RELATIVE HUMIDITY

Range	25% to 95%
Resolution	1%

SPECIFICATIONS**MAIN UNIT DIMENSIONS**

L x W x H	123 x 49.5 x 165 mm (4.84 x 19.5 x 6.50 inches)
Weight	245 grams (8.64 ounces) with batteries

REMOTE SENSOR DIMENSIONS

L x W x H	92 x 60 x 20 mm (3.6 x 2.4 x 0.79 inches)
Weight	63 grams (2.22 ounces) without battery

REMOTE SENSOR (THGR122NX)

RF frequency	433 MHz
Range	30 meters (98 feet) with no obstructions
Transmission	every 40 seconds
Channel No.	1 - 3

CLOCK

Atomic Clock	Auto or manual (disabled)
Clock display	HH:MM:SS
Hour format	12hr AM/PM or 24hr
Time offset	+/- 9 hours




EN

Calendar	MM/DD; weekday in 5 languages (E, D, F, I, S)
Alarm	Weekday and Single Alarm; 2- minute crescendo

POWER

Main unit batteries	2 x UM-3 (AA) 1.5V alkaline
Sensor batteries	2 x UM-4 (AAA) 1.5V alkaline

FCC STATEMENT




This device complies with Part 15 of the FCC Rules. Operation is subject to the following two conditions:
(1) This device may not cause harmful interference, and
(2) This device must accept any interference received, including interference that may cause undesired operation.

Warning: Changes or modifications to this unit not expressly approved by the party responsible for compliance could void the user's authority to operate the equipment.

NOTE: This equipment has been tested and found to comply with the limits for a Class B digital device, pursuant to Part 15 of the FCC Rules. These limits are designed to provide reasonable protection against harmful interference in a residential installation. This equipment generates, uses and can radiate radio frequency energy and, if not installed and used in accordance with the instructions, may cause harmful interference to radio communications.

However, there is no guarantee that interference will not occur in a particular installation. If this equipment does cause harmful interference to radio or television reception, which can be determined by turning the equipment off and on, the user is encouraged to try to correct the interference by one or more of the following measures:

- Reorient or relocate the receiving antenna.
 - Increase the separation between the equipment and receiver.
 - Connect the equipment into an outlet on a circuit different from that to which the receiver is connected.
 - Consult the dealer or an experienced radio/TV technician for help.
- 



25

DECLARATION OF CONFORMITY

The information below is not to be used as contact for support or sales. Please call our customer service number (listed on our website at www.oregonscientific.com, or on the warranty card for this product) for all inquiries instead.

We

Name: Oregon Scientific, Inc.
 Address: 19861 SW 95th Place,
 Tualatin, Oregon 97062 USA
 Telephone No.: 1-800-853-8883
 Fax No.: 1-503-684-8883

is in conformity with Part 15 of the FCC Rules. Operation is subject to the following two conditions:

- 1) This device may not cause harmful interference.
- 2) This device must accept any interference received, including interference that may cause undesired operation.

declare that the product

Product No.: RMR613HGA
 Product Name: Wireless Thermo-Hygro Clock
 Manufacturer: IDT Technology Limited
 Address: Block C, 9/F, Kaiser Estate,
 Phase 1, 41 Man Yue St.,
 Hung Hom, Kowloon,
 Hong Kong



© 2004 Oregon Scientific. All rights reserved.

P/N.: 086-003326-01



Free Manuals Download Website

<http://myh66.com>

<http://usermanuals.us>

<http://www.somanuals.com>

<http://www.4manuals.cc>

<http://www.manual-lib.com>

<http://www.404manual.com>

<http://www.luxmanual.com>

<http://aubethermostatmanual.com>

Golf course search by state

<http://golfingnear.com>

Email search by domain

<http://emailbydomain.com>

Auto manuals search

<http://auto.somanuals.com>

TV manuals search

<http://tv.somanuals.com>