



**Radio Controlled Weather Clock
with FM Radio
Model: BARM839 / BARM839A**

EU - Declaration of Conformity7
FCC Statement.....7
 Declaration of Conformity.....8

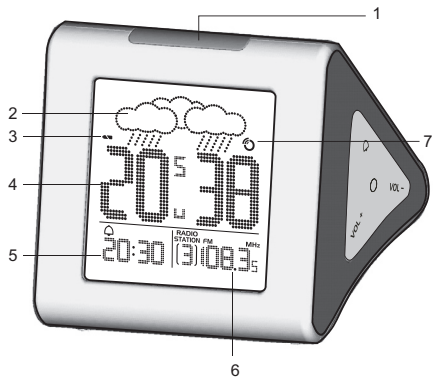
USER MANUAL

CONTENTS

Overview.....2
 Front View.....2
 Bottom View2
 Right / Left View.....3
Getting Started.....3
 Insert Batteries.....3
Clock.....4
 Clock Reception.....4
 Manually Set Clock.....4
Alarm.....4
FM Radio.....5
 Radio Sleep Mode.....5
Weather Forecast.....5
Reset.....6
Precautions.....6
Specifications.....7
About Oregon Scientific.....7

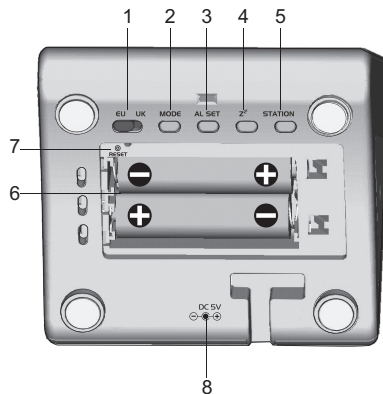
OVERVIEW

FRONT VIEW (FIG. 1)



1. **SNOOZE / LIGHT:** Snooze alarm; activate backlight
2. **Weather Forecast**
3. **Low battery indicator**
4. **Time with seconds, weekday or time zone**
5. **Calendar or alarm time display**
6. **Radio channel or sleep timer**
7. **Clock signal reception indicator**

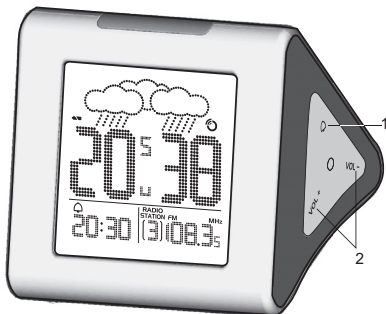
BOTTOM VIEW (FIG. 2)



1. **EU / UK:** Select the nearest radio signal (BARM839 only)
2. **MODE:** Change clock display modes; enter clock setting mode
3. **AL SET:** Toggle between alarm time and calendar; enter alarm setting mode
4. **Z Z:** Enter radio sleep setting mode
5. **STATION:** Save radio channel; scroll saved radio stations
6. **Battery compartment**
7. **RESET:** Reset unit to default settings

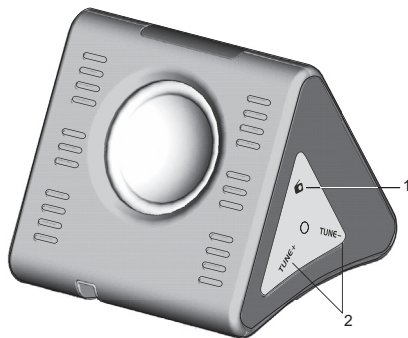
8. Adapter socket: If plugged, the green LED indicator at the bottom will light up.

RIGHT / LEFT VIEW (FIG. 3)



RIGHT VIEW:

1. : Activate / deactivate clock alarm function
2. **VOL + / VOL -**: Increase / decrease setting; activate / deactivate clock reception signal; increase / decrease radio volume



LEFT VIEW:

1. : Turn radio on or off
2. **TUNE + / TUNE -**: Increase / decrease radio frequency

GETTING STARTED

INSERT BATTERIES

1. Remove the battery compartment.
2. Insert the batteries, matching the polarities (see FIG. 2).
3. Press **RESET** after each battery change.

indicates batteries are low.

CLOCK

CLOCK RECEPTION

This product is designed to synchronize its clock automatically with a clock signal.

BARM839:

Slide **EU / UK** to select the signal received.

- EU: DCF-77 signal: within 1500 km (932 miles) of Frankfurt, Germany.
- UK: MSF-60 signal: within 1500 km (932 miles) of Anthorn, England.

BARM839A:

- WWVB-60 signal: within 3200km (2000 miles) of Fort Collins Colorado. Manually set clock to select time zone (Pacific, Mountain, Central or Eastern).

To enable / disable signal reception:

Press and hold **VOL +** to enable or **VOL -** to disable signal reception.

NOTE Reception takes 2-10 minutes. If the signal is weak, it can take up to 24 hours to get a valid signal.

Clock signal reception indicator:

STRONG SIGNAL	WEAK SIGNAL	NO SIGNAL
		

4

MANUALLY SET CLOCK

1. Press and hold **MODE**.
2. Press **VOL +** or **VOL -** to change the settings.
3. Press **MODE** to confirm.
4. The settings order is: time zone, 12/24 hr format, hour, minute, year, calendar mode (day-month / month-day), month, day and language.

BARM839: Time zone offset sets the clock +/- 23 hours from the received clock signal time.

BARM839A: Select the time zone: (P) Pacific, (E) Eastern, (C) Central or (M) Mountain.



NOTE The language options are English (E), German (D), French (F), Italian (I), and Spanish (S).

To select display mode:



Press **MODE** to choose between clock with seconds, weekday or time zone.

ALARM

To set the buzzer or radio alarm:

1. Press and hold **AL SET**.
2. Press **VOL + / VOL -** to set hour / minute.
3. Press **AL SET** to confirm.  or  indicates alarm is on.





- The settings order is: hour, minute, alarm type (buzzer alarm  or radio alarm ).
- If radio alarm is selected, press **STATION** to select the radio station and **VOL + / VOL -** to adjust the volume.

NOTE Make sure the adapter is connected to the unit in order for the radio alarm to activate.

To activate / deactivate the alarm:

Press .


To silence the alarm:

- Press **SNOOZE / LIGHT** to silence it for 8 minutes.  or  will flash to show snooze is enabled.
- OR
- Press any other key to turn the alarm off and activate it again after 24 hours.

NOTE The radio will remain on for 120 minutes if no key is pressed.

FM RADIO

To play the radio:

- Press  to switch the radio on.
- Press **VOL + / VOL -** to adjust the radio volume.

- Press **TUNE + / TUNE -** to change radio frequency, press and hold to enable auto-search for an available frequency.

NOTE Make sure the adapter is connected to the unit in order for the radio to work.

To save a radio station:

Press and hold **STATION** while on a frequency. A total of 8 stations can be stored.

To select different stations:

Press **STATION** repeatedly.

RADIO SLEEP MODE





The radio is equipped with a countdown sleep timer that can be set to switch the radio off after up to 120 minutes.

- Press **Z^{ZZ}** to enter radio sleep mode.
- Press **Z^{ZZ}** to change the sleep time setting (120, 90, 60, 45, 30, 15, 0).
- Press any key to exit radio sleep mode. The sleep timer will be automatically activated.

WEATHER FORECAST

This product forecasts the next 12 to 24 hours of

weather within a 30-50 km (19-31 mile) radius with a 75% accuracy.

			
Sunny	Partially Cloudy	Cloudy	Rainy

RESET

Press **RESET** to return to the default settings.

PRECAUTIONS

- Do not subject the unit to excessive force, shock, dust, temperature or humidity.
- Do not cover the ventilation holes with any items such as newspapers, curtains etc.
- Do not immerse the unit in water. If you spill liquid over it, dry it immediately with a soft, lint-free cloth.
- Do not clean the unit with abrasive or corrosive materials.
- Do not tamper with the unit's internal components. This invalidates the warranty.
- Only use fresh batteries. Do not mix new and old batteries.
- Images shown in this manual may differ from the actual display.
- When disposing of this product, ensure it is collected separately for special treatment.

- Placement of this product on certain types of wood may result in damage to its finish for which Oregon Scientific will not be responsible. Consult the furniture manufacturer's care instructions for information.
- The contents of this manual may not be reproduced without the permission of the manufacturer.
- Do not dispose old batteries as unsorted municipal waste. Collection of such waste separately for special treatment is necessary.
- Please note that some units are equipped with a battery safety strip. Remove the strip from the battery compartment before first use.

NOTE The technical specifications for this product and the contents of the user manual are subject to change without notice.



SPECIFICATIONS

TYPE	DESCRIPTION
L x W x H	95 x 95 x 85 mm (3.74 x 3.74 x 3.35 in)
Weight	250 g (8.82 oz) without battery
FM Band Range	87.5 – 108.0 MHz
Preset FM radio memory stations	8
Alarm	<ul style="list-style-type: none"> • User-selectable 120-minute radio alarm or 2-minute buzzer alarm • 8-minute snooze
Power	<ul style="list-style-type: none"> • 3 x UM-3 (AA) 1.5 V batteries • DC 5V adapter

ABOUT OREGON SCIENTIFIC

Visit our website (www.oregonscientific.com) to learn more about Oregon Scientific products. If you're in the US and would like to contact our Customer Care department directly, please visit: www2.oregonscientific.com/service/support

OR

Call 1-800-853-8883.

For international inquiries, please visit: www2.oregonscientific.com/about/international



EU-DECLARATION OF CONFORMITY

Hereby, Oregon Scientific, declares that this Radio

Controlled Weather Clock with FM Radio (model: BARM839 / BARM839A) is in compliance with the essential requirements and other relevant provisions of Directive 1999/5/EC. A copy of the signed and dated Declaration of Conformity is available on request via our Oregon Scientific Customer Service.



COUNTRIES RTTE APPROVED COMPLIED

All EU countries, Switzerland 
and Norway 

FCC STATEMENT

This device complies with Part 15 of the FCC Rules. Operation is subject to the following two conditions: (1) This device may not cause harmful interference, and (2) This device must accept any interference received, including interference that may cause undesired operation.

WARNING Changes or modifications not expressly approved by the party responsible for compliance could void the user's authority to operate the equipment.

NOTE This equipment has been tested and found to comply with the limits for a Class B digital device, pursuant to Part 15 of the FCC Rules. These limits

are designed to provide reasonable protection against harmful interference in a residential installation.

This equipment generates, uses and can radiate radio frequency energy and, if not installed and used in accordance with the instructions, may cause harmful interference to radio communications. However, there is no guarantee that interference will not occur in a particular installation. If this equipment does cause harmful interference to radio or television reception, which can be determined by turning the equipment off and on, the user is encouraged to try to correct the interference by one or more of the following measures:

- Reorient or relocate the receiving antenna.
- Increase the separation between the equipment and receiver.
- Connect the equipment into an outlet on a circuit different from that to which the receiver is connected.
- Consult the dealer or an experienced radio / TV technician for help.

DECLARATION OF CONFORMITY

The following information is not to be used as contact for support or sales. Please call our customer service number (listed on our website at www.oregonscientific.com) or on the warranty card for this product) for all inquiries instead.

We

Name: Oregon Scientific, Inc.
Address: 19861 SW 95th Ave., Tualatin,
Oregon 97062 USA
Telephone No.: 1-800-853-8883

declare that the product

Product No.: BARM839 / BARM839A
Product Name: Radio Controlled Weather
Clock with FM Radio
Manufacturer: IDT Technology Limited
Address: Block C, 9/F, Kaiser Estate,
Phase 1, 41 Man Yue St., Hung
Hom, Kowloon, Hong Kong

is in conformity with Part 15 of the FCC Rules. Operation is subject to the following two conditions: 1) This device may not cause harmful interference. 2) This device must accept any interference received, including interference that may cause undesired operation.

Free Manuals Download Website

<http://myh66.com>

<http://usermanuals.us>

<http://www.somanuals.com>

<http://www.4manuals.cc>

<http://www.manual-lib.com>

<http://www.404manual.com>

<http://www.luxmanual.com>

<http://aubethermostatmanual.com>

Golf course search by state

<http://golfingnear.com>

Email search by domain

<http://emailbydomain.com>

Auto manuals search

<http://auto.somanuals.com>

TV manuals search

<http://tv.somanuals.com>