



**3D Massage Seat  
with Heat  
Model: WS912**

**USER MANUAL**

# 3D Massage Heat with Heat

**Model: WS912**

## **USER MANUAL**

### **CONTENTS**

Introduction .....	1
Important Safety Instructions .....	1
Precautions .....	1
Overview	
Massager .....	2
Control Panel.....	2
LCD Display.....	3
Features .....	3
Getting Started	
Conneting to the Power .....	4
Handling the Remote Control.....	4
Using the Massager.....	4
Spot Shiatsu.....	4
Width Control.....	4
Heat Massage.....	4
Timer .....	4
Intensity.....	4
Demo Mode.....	
Maintenance	4
Storing .....	4
Cleaning .....	4
Recommended Massage Time .....	5
Specifications .....	5
About Oregon Scientific .....	5
EU-Declaration Of Conformity .....	5

## INTRODUCTION

Thank you very much for purchasing "WS912 3D Massage Seat with Heat". This instruction manual contains useful information on appropriate use and maintenance of this product. In order to benefit from its features, read this manual before first use and save it for future reference.

## IMPORTANT SAFETY INSTRUCTIONS

WHEN USING AN ELECTRICAL PRODUCT, ESPECIALLY WHEN CHILDREN ARE PRESENT, ALWAYS FOLLOW BASIC PRECAUTIONS, INCLUDING THE FOLLOWING INSTRUCTIONS: Read all instructions before using these units.

**DANGER** To reduce the risk of electric shock:

- Unplug the unit from the electrical outlet immediately after using and before cleaning.
- If the unit has been dropped into water, do not pick up or touch it. Switch off at the mains and unplug immediately. Do not operate if it is wet.
- Do not use while bathing or in shower. Keep the unit always dry. Store the unit in a dry and safe place. Keep away from risks of dropping into a sink or a tub. Do not submerge in water.
- Do not insert pins or other metallic fasteners into the unit.
- Keep dry – Do not operate in a wet or moist condition.
- Do not sit or stand on the massage unit (the back part of the appliance).
- To reduce the risk of burns, fire, electric shock, or injury to persons:
  - Keep out of reach of children.
  - Do not leave a plugged unit unattended.
  - Unplug from outlet when not in use and before putting on or taking off parts.
- These units are not intended for use by persons with certain disabilities or lack of knowledge.
- Do not use if you have poor blood circulation. If in doubt, consult with your doctor.
- Do not cover or use the unit under a blanket when operating. Covering it during use may excessively heat the unit which may cause fire, electrocution or injury to persons.
- Stop using the unit when you are feeling drowsy. Do not use when you are sleeping.
- Stop using the unit if it is damaged, wet, tempered, forced or not functioning properly. If in doubt, contact our Helpline.
- Keep the power cord away from heat source.
- Do not lift this unit by pulling the power cord or use the cord as handle.
- Do not drop or insert any object into any opening.
- Do not operate where aerosol (spray) units are being used or where oxygen is being administered.

- Before unplugging, turn the unit off by pressing the on / off button on the remote control.
- Do not put heavy objects on the unit. Avoid risk of crushing.
- This unit is intended for indoor use only.
- This unit is designed for non-professional use only.
- Use this unit only for its intended use as described in this manual. Do not use provided attachments not recommended by Oregon Scientific.
- Do not drop or insert any object into the unit.
- Save the user manual for future reference.

## PRECAUTIONS

Please read all instructions carefully before operating.

- This unit is not intended for medical use or to substitute medical care. It is intended only to provide a luxurious massage.
- Individuals, who are pregnant, fitted with pacemaker, suffering from diabetes, phlebitis and / or thrombosis, or are at an increased risk of developing blood clots due to recent surgery or prolonged bed rest should consult their physician before using the unit.
- Not recommended for use by Diabetics.
- This unit should not be used by any individual suffering from any physical ailment that would limit the user's capacity to operate the controls or who has sensory deficiencies in the lower half of their body.
- Do not leave the unit unattended when children are present.
- This unit is not suitable for children's use. Keep out of reach of children.
- Do not cover the unit with anything when it is in operation.
- Do not obstruct with objects or thrust any part of your body in the moving massage mechanism.
- Do not use the unit for more than 15 minutes at a time. Excessive use may overheat the unit. Should this occur, stop using the unit and wait until it cooled down before the next use.
- Do not use the unit directly on open wounds, swollen or inflamed areas and skin eruptions.
- Do not use this unit before going to bed. The massage has a stimulating effect which may delay sleep.
- Do not use this unit in bed.
- Do not use the Spot Shiatsu with heat function on a single spot for more than 3 minutes.
- Not recommended for use on timber surfaces as the zipper may damage the wood. Take special care when using on upholstered furniture.
- Do not use in automobiles.
- If you feel ill after use or experience pain in muscles or joints for a long time, discontinue use and consult a physician. Persistent

pain could be a symptom of a more serious condition.

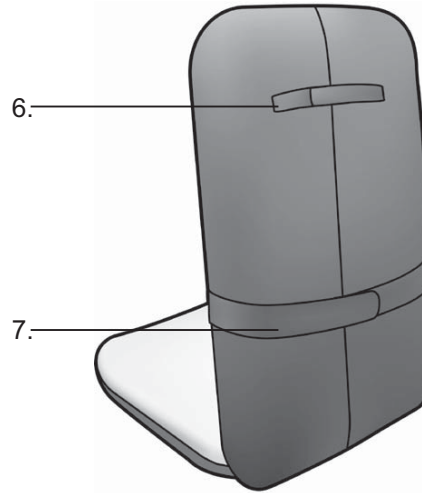
- Do not use the unit on erupted, swollen, inflamed skin areas, when you have a skin disease, ulcer or varicose veins are present.
- Do not use this unit for more than 15 minutes at a time. Allow 15 minutes rest before next section. Extensive use could lead to the unit's excessive heating and shorter life. Should this occur, discontinue use and allow the unit to cool before operating.
- The unit is equipped with overheating protection circuit, if the power is cut-off, please wait until the unit is cooled down.
- Do not use if you have diabetes, tuberculosis, benign or malignant tumors, phlebitis and thrombosis, or if you have poor circulation. Consult a physician before using if you have any kind of fungal infection, swelling, fracture or persistent pain.
- To avoid the Velcro straps damaging your clothes, avoid using delicate fabrics or knitwear when using this unit.
- If you are feeling drowsy, stop using the unit and do not leave the unit operating when you are sleeping.
- Ensure that your hands are dry when operating the controls or removing the plug.
- Do not sit or stand on the massage unit (the back part of the unit).
- Before unplugging, turn the unit off by slide the controller to OFF position.
- This unit is not intended for use by persons (including children) with reduced physical, sensory or mental capabilities, or lack of experience and knowledge, unless they have been given supervision or instruction concerning use of the unit by a person responsible for their safety.
- Children should be supervised to ensure that they do not play with the unit.
- The unit has a hot surface. Persons insensitive to heat must be careful when using the unit.

## OVERVIEW

### MASSAGER



1. 3D Massage nodes
2. Remote control with LCD display: To control and monitor massage program and modes.
3. Remote control holder: Place the Remote control in when not in use.
4. DC Jack: Socket for connecting to AC / DC power adaptor.
5. Detachable seat.



6. Handle.
7. Chair belt: Secures the unit to a chair.

### REMOTE CONTROL



1. **POWER:** Press to turn on / off the unit.
2. **SCAN:** Press to scan body height of the user for a personalized fit.
3. **PROGRAM:** Press to manually select the desired program **P1 / P2**.
4. **3D SHIATSU MODE:** Designated to release muscle tension by moving the Shiatsu nodes up and down at your back.
- 5.&6. **SPOT SHIATSU UP ▲ AND DOWN ▼ :** Allows you to target the massage to a specific area by moving the massage nodes up or down.
7. **3D ROLLING MODE:** The rolling motion aims to loosen up muscles. With the 3D function, the rollers follow the curves your back intimately.
8. **ROLLING WIDTH CONTROL:** While in rolling mode, press to adjust the width of the massager nodes. With each press, the massage nodes

- move to the next available position.
9. **ROLLING MODE:** Rollers work slowly upward and downward along your spine curvatures.
  10. **FULL BACK:** Activates fullback massage.
  11. **UPPER BACK:** Activates upper back massage.
  12. **LOWER BACK:** Activates lower back massage.
  13. **HEAT:** Turns on / off soothing heat.
  14. **TIMER:** 15 or 20-minute timer choices.
  15. **INTENSITY:** **HI / LO** massage intensity.

### LCD DISPLAY



1. **READY:** Power on
2. **SHIATSU / 3D ROLLING / ROLLING:** Massage function modes
3. **MINS:** Timer setting and minute countdown
4. **SCANNING:** Indicates scanning in progress to set lower and upper range for massage heads.
5. **INTENSITY:** Shows **HI / LO** massage intensity.

### FEATURES

- 3D massage seat with heat
- Massage like therapist's hands
- 3D shiatsu and rolling massage
- Sensors adjust massage to body height
- Strength control
- 2 pairs of 3D shiatsu and 3D rolling massage heads
- Full back, upper back, lower back and spot control
- Auto detect of body curve and height to provide a suitable massager mode
- Heated massage heads with light indicator
- 15 or 20 minutes timer to protect the user against over-use
- 2 level intensity control
- Detachable seat cushion
- Two programmed massaging modes
- LCD display screen shows massager status and timer
- Auto detect of body curve and height to provide a suitable massager mode
- Heated massage heads with light indicator
- Easy to use remote control with LCD display screen

### GETTING STARTED

#### WARNING

Preparing the units for first time use - The 3D Massage Seat with Heat comes with 2 screws located on the back of the unit to protect the massage system during transportation. These

screws must be removed before the first use to allow the unit function properly. Use the provided allen key and dispose the screws appropriately. When using the unit for the first time, you will hear a "pop" sound. This indicates that the secure lock for protecting the massage mechanism during transportation is now unlocked. This only happens when the unit is used for the first time.

### CONNECTING TO MAINS

1. Connect the DC jack to the power adaptor.
2. Connect power adaptor to mains

### HANDLING THE REMOTE CONTROL

Retrieve the remote control to operate the 3D Massage Seat with Heat.

Always store the remote control back in its holder after use.

Press the **POWER** button to turn the unit on. **READY** will display on the screen.

#### NOTE

- Do not pull the power cord or wrap it around the unit.
- Do not sit on the power cord.

### USING THE MASSAGER

1. Choose a massage mode when **READY** displayed on the screen. The LCD screen will illuminate and confirm your selection.
2. To turn off the massage function, simply press the button again. On the LCD screen, **READY** will blink while the massage mechanism reverts to the original point and then it will turn off.

**NOTE** The massage mechanism always returns to the starting position when the massage course ends and when the unit is turned off at the control panel. If the electrical supply is interrupted, when the power restores, the mechanism will go back to the original point before a new massage begins. On the LCD screen, **READY** will blink while the massage nodes are returning. The apparatus will turn off when finished. Press **POWER P** again to begin a new massage.

3. Once the massage mode is selected, the massage will begin.

To choose the massage mode:

#### SHIATSU

- Press the **SHIATSU** button **S** on the control panel.
- Press the **INTENSITY** button **▲** to select your preferred massage speed (High or low speed).
- Shiatsu can be activated concurrently with **Heat** program.

#### ROLLING

- Press the **ROLLING** button **R** on the control panel.
- Press the **WIDTH** **◀▶** button to adjust the

width of the rollers (**Narrow, Mid or Wide**).

Rolling can be activated concurrently with Heat program.

**3D ROLLING**

- Press the **3D ROLLING** button **3D** on the remote control.
- Rolling can be activated concurrently with Heat programs.

Guide to Massage Modes and options:

Action	Heat	Roller width	Up / Down	Intensity	Default Timer
Shiatsu	-	-	-	HI / LOW	15 mins
Rolling	-	Narrow, Mid or Wide	-	-	15 mins
3D Rolling	-	-	-	-	15 mins

4. Three massage zones to select with:

- Fullback
- Upper back
- Lower back

The LCD screen will display the information accordingly.

**NOTE**

- When Shiatsu mode begins, the unit operates specifically at the original point; when a massage zone is selected, the unit will work on the chosen zone with upward and downward motions.
- The unit shuts off automatically after approximately 15 or 20 minutes.

**SPOT SHIATSU**

After selected Shiatsu mode, press either **UP / DOWN** button **▲ / ▼** to target the Shiatsu action on one spot of you back. Adjust the mechanism position by holding either button until the next desired position has reached. The **UP** button **▲** will move the mechanism upward and the **DOWN** button **▼** will move it downward.

**WIDTH CONTROL**

When entered the rolling mode, press **WIDTH** button **◀▶** to adjust the width between the massage nodes. With each pressing, the massage nodes will move to the next available position (**Narrow, Mid or Wide**).

**NOTE** Width control does not work with Shiatsu and 3D rolling.

**HEAT MASSAGER**

To initiate soothing heat, simply press the **HEAT** button and the corresponding amber L.E.D. light on the massage nodes will illuminate. Press the button again to deselect and the corresponding

L.E.D. light will turn off.

**NOTE** For your safety, soothing heat cannot be turned on if no massage program is in operation.

**TIMER**

Press the **TIMER** button **⌚** to select **15 / 20** minutes massage time. The screen will show countdown of the timer.

**NOTE** If no timer setting has been chosen the unit shuts off automatically after approximately 15 minutes.

**INTENSITY**

Press **INTENSITY** button **◀** to decrease or increase the rotation speed of the unit nodes. The display will show **HI / LO** for five seconds then return to the countdown of the timer.

**NOTE** Such option is not available to **3D rolling** and **rolling**.

**DEMO mode**

For a brief demonstration of the features of the 3D Massage Seat, press and hold the **SHIATSU** and **ROLLING** buttons **S + R** together for 3 seconds. The unit will briefly go through all the available features of the unit. The icons on the LCD display will flash spontaneously to indicate the corresponding function. Once completed, the unit turns off automatically.

**MAINTENANCE**

**STORING**

Place the unit in its box or in a safe, dry, cool place. Refrain from sharp edges or pointed objects that might cut or puncture the fabric surface. To avoid breakage, do not wrap the power cord around the unit. Do not hang the unit by the power cord or the cord of the remote control unit.

**CLEANING**

Unplug the unit and allow it to cool down before cleaning. Clean only with a soft, slightly damp sponge. Never allows water or any other liquids to come into contact with the unit.

- Do not immerse in any liquid.
- Never use abrasive cleaners, brushes, gasoline, kerosene, glass / furniture polish or paint thinner to clean.
- Do not remove or unzip the unit cover to clean the internal parts.

Do not attempt to repair the 3D Massage Seat with Heat. There are no user serviceable parts.



## RECOMMENDED MESSAGE TIME

Generally, a back massage could take up to 20 minutes. This unit has 2 timer settings: 15 and 20 minutes to allow you to choose the suitable time setting according to your needs and personal comfort. You may choose to use it once or twice daily as needed.

If you have any doubts or concerns, always consult your doctor.

## SPECIFICATIONS

TYPE	DESCRIPTION
<b>MAIN UNIT</b>	
L x W x H	780mm(L)x400mm(W)x 90mm(H) (30.7in x 15.7in x 3.54in)
Weight	1200g (42.33oz)
Power	12V DC power adaptor: INPUT 110-240V 50/60Hz

## ABOUT OREGON SCIENTIFIC

Visit our website ([www.oregonscientific.com](http://www.oregonscientific.com)) to learn more about Oregon Scientific products. If you're in the US and would like to contact our Customer Care department directly, please visit: [www2.oregonscientific.com/service/support](http://www2.oregonscientific.com/service/support)

OR

Call 1-800-853-8883.

For international inquiries, please visit:

[www2.oregonscientific.com/about/international](http://www2.oregonscientific.com/about/international)

## EU-DECLARATION OF CONFORMITY

Hereby, Oregon Scientific, declares that this 3D Massage Seat with Heat (model: WS912) is in compliance with the essential requirements and other relevant provisions of Directive 1999/5/EC. A copy of the signed and dated Declaration of Conformity is available on request via our Oregon Scientific Customer Service.









# Sedile massaggiante 3D con calore

Modello: WS912

## MANUALE PER L'UTENTE

### INDICE

Introduzione .....	1
Importanti informazioni sulla sicurezza .....	1
Avvertenze .....	1
Panoramica	
Massaggiatore .....	2
Pannello di controllo .....	3
Display LCD.....	3
Caratteristiche .....	3
Operazioni preliminari	3
Collegamento alla corrente .....	4
Uso del telecomando .....	4
Uso del massaggiatore .....	4
Shiatsu su una zona .....	4
Controllo ampiezza .....	4
Massaggio con calore .....	5
Timer .....	5
Intensità.....	5
Modalità demo .....	5
Manutenzione	
Conservazione .....	5
Pulizia .....	5
Durata consigliata del massaggio .....	5
Specifiche .....	5
Informazioni su Oregon Scientific .....	5
Dichiarazione di conformità EU .....	5

## INTRODUZIONE

Grazie per aver acquistato il "Sedile massaggiante con calore WS912 3D". Questo manuale di istruzioni contiene informazioni utili sull'uso corretto e sulla manutenzione di questo prodotto. Per poter usufruire delle sue funzioni, leggere il manuale prima del primo utilizzo e conservarlo per riferimento futuro.

## IMPORTANTI INFORMAZIONI SULLA SICUREZZA

**DURANTE L'UTILIZZO DI UN PRODOTTO ELETTRICO, SOPRATTUTTO IN PRESENZA DI BAMBINI, OSSERVARE SEMPRE LE PRECAUZIONI FONDAMENTALI E LE ISTRUZIONI RIPORTATE DI SEGUITO.**

Leggere tutte le istruzioni prima di usare queste unità.

**PERICOLO** Per ridurre il rischio di scariche elettriche:

- Scollegare l'unità dalla corrente subito dopo l'uso e prima di procedere alla pulizia.
- Se l'unità viene fatta cadere in acqua, non raccoglierla né toccarla. Staccare la corrente e scollegarla immediatamente. Non usare il prodotto se è bagnato.
- Non usare durante il bagno o la doccia. Mantenere l'unità sempre asciutta. Riporre l'unità in un luogo sicuro e asciutto. Evitare di far cadere in lavandini o vasche. Non immergere in acqua.
- Non inserire nell'unità spilli o altri fermagli metallici.
- Mantenere asciutto il prodotto – non usare in condizioni di umidità.
- Non sedersi o stare in piedi sull'unità massaggiante (sul retro del prodotto).
- Per ridurre il rischio di ustioni, incendi, scariche elettriche o lesioni alle persone:
  - Tenere fuori dalla portata dei bambini.
  - Non lasciare incustodita l'unità collegata alla corrente. Scollegare dalla corrente quando non si utilizza e prima di inserire o estrarre parti.
- Queste unità non sono destinate all'uso da parte di persone con alcune disabilità o con deficit di conoscenze.
- Non usare se si soffre di problemi di circolazione sanguigna. Nel dubbio, rivolgersi al proprio medico.
- Mentre l'unità è in funzione, non coprirla o usarla sotto una coperta. Se l'unità viene coperta mentre è in uso, può surriscaldarsi, con il conseguente rischio di incendi, elettrocuzione o lesioni alle persone.
- Smettere di usare l'unità se si avverte sonnolenza. Non usare mentre si dorme.
- Interrompere l'uso dell'unità se questa è danneggiata, umida, se è stata manomessa, forzata o in caso di malfunzionamento. Nel

- dubbio, contattare la nostra linea di assistenza.
- Tenere il cavo dell'alimentazione lontano da fonti di calore.
- Non sollevare l'unità tirando il cavo di alimentazione o usando quest'ultimo come maniglia.
- Non far cadere o inserire oggetti nelle aperture.
- Non usare dove vengono utilizzati apparecchi per aerosol o dove viene somministrato ossigeno.
- Prima di scollegare l'unità, spegnerla premendo il pulsante on / off del telecomando.
- Non appoggiare oggetti pesanti sull'unità. Evitare il rischio di schiacciare l'unità.
- Quest'unità è destinata unicamente ad uso interno.
- Quest'unità è progettata esclusivamente per uso non professionale.
- Utilizzare l'unità unicamente per lo scopo a cui è destinata e seguendo le istruzioni di questo manuale. Non usare accessori non consigliati da Oregon Scientific.
- Non far cadere o inserire oggetti nell'unità.
- Conservare il manuale per l'utente per riferimento futuro.

## AVVERTENZE

Prima dell'uso, leggere interamente e attentamente le istruzioni.

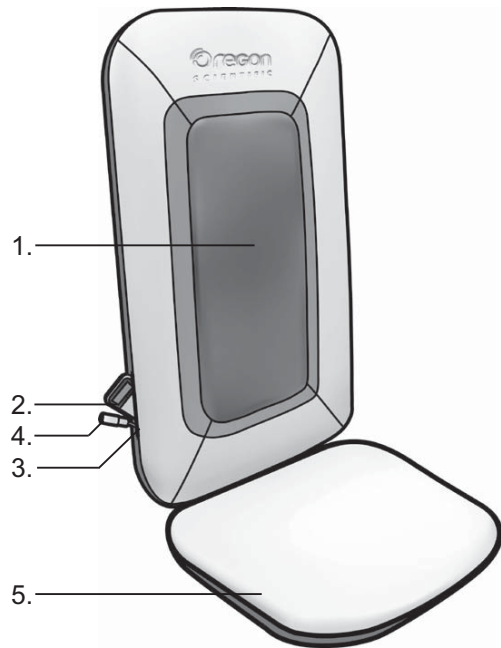
- Questa unità non è destinata ad uso medico e non è sostitutiva di cure mediche. Il suo unico scopo è offrire un piacevole massaggio.
- Le donne in gravidanza, le persone con pacemaker, quelle che soffrono di diabete, flebite e/o trombosi o che sono a rischio elevato di sviluppare coaguli ematici a causa di recenti operazioni chirurgiche o di permanenza prolungata a letto, devono consultare il proprio medico prima di usare il prodotto.
- Non si consiglia l'uso alle persone diabetiche.
- Questa unità non deve essere usata da persone che soffrono di menomazioni fisiche che ne limiterebbero la capacità di utilizzare i comandi né da persone con deficienze sensoriali nella parte inferiore del corpo.
- Non lasciare l'unità incustodita in presenza di bambini.
- Questa unità non è idonea per l'utilizzo da parte di bambini. Tenere fuori dalla portata dei bambini.
- Non coprire l'unità quando è in funzione.
- Non ostruire l'unità con oggetti né inserire parti del corpo nel meccanismo massaggiante quando è in movimento.
- Non utilizzare l'unità per più di 15 minuti per volta. L'uso eccessivo può provocare il surriscaldamento dell'unità. In tale evenienza, interrompere l'uso dell'unità e attendere che si raffreddi prima di utilizzarla nuovamente.

Non mettere l'unità a diretto contatto con ferite aperte, zone gonfie o infiammate e su eruzioni cutanee.

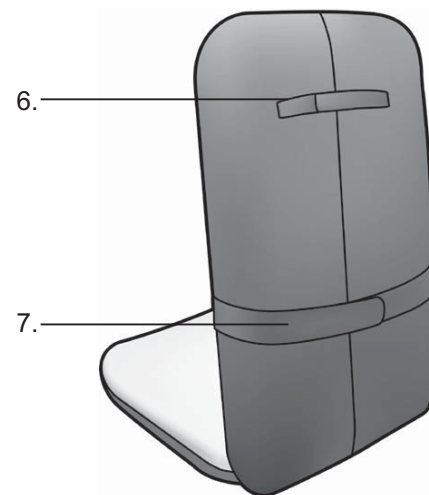
- Non utilizzare l'unità prima di coricarsi. Il massaggio ha un effetto stimolante che può ritardare il sonno.
- Non usare l'unità a letto.
- Non usare la funzione di calore "Shiatsu su una zona" (Spot Shiatsu) su un unico punto per più di 3 minuti.
- Non si consiglia l'uso su superfici in legno, dal momento che la cerniera può danneggiarlo. Prestare particolare attenzione durante l'uso su mobili con imbottitura.
- Non usare quando si è in auto.
- Se dopo l'uso non ci si sente bene o si avvertono dolori muscolari o alle giunture per un periodo prolungato, interrompere l'uso e rivolgersi a un medico. Il dolore persistente potrebbe essere sintomo di una condizione più grave.
- Non utilizzare l'unità su zone della pelle con eruzioni cutanee, gonfie, infiammate, se si soffre di una malattia della pelle, di ulcere o di vene varicose.
- Non utilizzare l'unità per più di 15 minuti per volta. Attendere 15 minuti prima della sessione successiva. L'uso prolungato può provocare il surriscaldamento dell'unità e una durata inferiore della stessa. In tale evenienza, interrompere l'uso e lasciare raffreddare l'unità prima di utilizzarla nuovamente.
- L'unità è dotata di un circuito di protezione dal surriscaldamento; se l'alimentazione viene interrotta, attendere che l'unità si raffreddi.
- Non utilizzare se si soffre di diabete, tubercolosi, tumori benigni o maligni, flebite o trombosi o in caso di problemi di circolazione. Rivolgersi al medico prima dell'uso se si soffre di infezioni fungine, gonfiori, fratture o dolore persistente.
- Per evitare che le strisce di velcro danneggino gli abiti, non indossare tessuti delicati o di maglia quando si utilizza l'unità.
- Se si avverte sonnolenza, interrompere l'uso del prodotto e non lasciarlo in funzione quando si dorme.
- Utilizzare i comandi o scollegare la presa solo con le mani asciutte.
- Non sedersi o stare in piedi sull'unità massaggiante (sul retro del prodotto).
- Prima di scollegare l'unità, spegnerla spostando il controller sulla posizione OFF.

## PANORAMICA

### MASSAGGIATORE



1. Nodi massaggianti 3D
2. Telecomando con display LCD: consente di controllare e monitorare il programma e le modalità di massaggio.  
Supporto per telecomando: riporvi il telecomando quando non si usa.
3. Ingresso DC: entrata per collegare l'alimentatore AC/DC.
5. Sedile rimovibile.



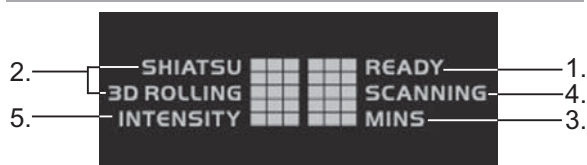
6. Maniglia.
7. Cintura: consente di fissare l'unità a una sedia.

## TELECOMANDO



1. **POWER:** consente di accendere / spegnere l'unità.
2. **SCAN:** esamina l'altezza dell'utente per un massaggio personalizzato.
3. **PROGRAM:** consente di selezionare manualmente il programma desiderato **P1 / P2**
4. **3D SHIATSU MODE:** ha lo scopo di sciogliere la tensione muscolare muovendo i nodi shiatsu verso l'alto e verso il basso.
- 5.&6. **SPOT SHIATSU UP ▲ AND DOWN ▼ :** consente di massaggiare una zona specifica muovendo i nodi massaggianti verso l'alto e verso il basso.
7. **3D ROLLING MODE:** lo scopo del movimento rullante è sciogliere i muscoli. Con l'aggiunta della funzione 3D, segue il più possibile le curve della schiena.
8. **ROLLING WIDTH CONTROL:** durante la modalità rolling (rullante), premere per regolare l'ampiezza dei nodi dell'unità. Ad ogni pressione, i nodi massaggianti si spostano sulla successiva posizione disponibile.
9. **ROLLING MODE:** le sfere rotanti lavorano lentamente verso l'alto e verso il basso lungo la spina dorsale.
10. **FULL BACK:** massaggio su tutta la schiena.
11. **UPPER BACK:** massaggio sulla parte superiore della schiena.
12. **LOWER BACK:** massaggio sulla parte inferiore della schiena.
13. **HEAT:** consente di attivare / disattivare il calore rilassante.
14. **TIMER:** opzione timer di 15 o 20 minuti.
15. **INTENSITY:** intensità del massaggio alta / bassa.

## Display LCD



1. **READY:** acceso
2. **SHIATSU / 3D ROLLING / ROLLING:** Modalità della funzione massaggiante
3. **MINS:** impostazione del timer e conto regressivo dei minuti
4. **SCANNING:** indica che è in corso la valutazione per l'impostazione della serie inferiore o superiore delle testine massaggianti.
5. **INTENSITY:** indica l'intensità del massaggio alta / bassa.

## COLLEGAMENTO ALLA CORRENTE

- Sedile massaggiante 3D con calore
- Massaggia come un vero terapeuta
- Massaggio shiatsu (acupressione) 3D e rullante
- I sensori regolano il massaggio in base all'altezza della persona
- Controllo della forza
- 2 paia di testine per massaggio con agopressione (shiatsu) 3D e massaggio rullante 3D
- Tutta la schiena, parte superiore della schiena, parte inferiore della schiena e controllo dei punti
- Rilevazione automatica delle curve e dell'altezza per offrire una modalità di massaggio adatta a tutte le corporature
- Testine massaggianti riscaldate con indicatore luminoso
- Timer di 15 o 20 minuti per proteggere l'utente dall'uso eccessivo
- Controllo di due livelli di intensità
- Cuscino staccabile per sedia
- Due modalità di massaggio programmate
- Il display LCD indica lo stato e il timer del massaggiatore
- Rilevazione automatica delle curve e dell'altezza per offrire una modalità di massaggio adatta a tutte le corporature
- Testine massaggianti riscaldate con indicatore luminoso
- Telecomando di facile uso con display LCD

## OPERAZIONI PRELIMINARI

### AVVISO

Preparazione delle unità per il primo utilizzo. Il sedile massaggiante 3d con calore è dotato di 2 viti posizionate sul retro dell'unità, al fine di proteggere il sistema massaggiante durante il trasporto. Perché l'unità funzioni correttamente, le viti devono essere tolte prima del primo utilizzo. Utilizzare la chiave a brugola in dotazione e smaltire le viti in modo corretto. Quando si usa l'unità per la prima volta, si sentirà uno schiocco. Esso indica che si è sbloccato il fermo che protegge il meccanismo massaggiante durante il trasporto. Questo succede solo quando si usa l'unità per la prima volta.

## COLLEGAMENTO ALLA CORRENTE

1. Collegare l'alimentatore all'ingresso DC.
2. Collegare l'alimentatore alla corrente.

## USO DEL TELECOMANDO

Prendere il telecomando e mettere in funzione il sedile massaggiante 3D con calore.

Dopo l'uso, riporre sempre il telecomando nell'apposito supporto.

Premere il pulsante **POWER** per accendere l'unità. Sul display apparirà la scritta **READY**.

### NOTA

- Non tirare il cavo né avvolgerlo intorno all'unità.
- Non sedersi sul cavo.

## USO DEL MASSAGGIATORE


1. Quando sul display è visualizzata la scritta **READY**, scegliere una modalità massaggiante. Il display LCD si illumina e conferma la scelta effettuata.
2. Per disattivare la funzione massaggiante, è sufficiente premere nuovamente il pulsante. Sul display LCD, la scritta **READY** lampeggia mentre il meccanismo massaggiante torna al punto originario e successivamente si spegne.

**NOTA** Il meccanismo massaggiante torna sempre alla posizione di partenza quando il massaggio termina e quando l'unità viene spenta dal pannello di controllo. Se si interrompe l'alimentazione, quando questa viene ripristinata, il meccanismo tornerà al punto originario prima dell'inizio di un nuovo massaggio. Sul display LCD, quando i nodi massaggianti ritornano, la scritta **READY** lampeggia. Il prodotto si spegne quando ha terminato. Premere nuovamente **POWER P** per cominciare un nuovo massaggio.


3. Dopo aver selezionato la modalità di massaggio, questo ha inizio.

Scelta della modalità di massaggio:

### SHIATSU

- Premere il pulsante **SHIATSU S** sul pannello di controllo.
- Premere il pulsante **INTENSITY**  per selezionare la velocità di massaggio che si preferisce (alta o bassa).
- Lo shiatsu può essere attivato contestualmente al programma **Heat**.

### ROLLING

- Premere il pulsante **ROLLING R** sul pannello di controllo.
- Premere il pulsante **WIDTH**  per regolare l'ampiezza delle sfere rotanti (minima, media, grande).
- La modalità rolling può essere attivata contestualmente al programma **Heat**.

### 3D ROLLING

- Premere il pulsante **3D ROLLING 3D** sul telecomando.

- La modalità rolling può essere attivata contestualmente al programma **Heat**.

Guida alle modalità di massaggio e alle opzioni:

Azione	Calore	Ampiezza sfere rotanti	Su / giù	Intensità	Timer predefinito
Shiatsu	-	-	-	Alta/bassa	15 minuti
Rolling	-	Minima, media, grande	-	-	15 minuti
3D Rolling	-	-	-	-	15 minuti



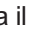

4. Tre zone massaggianti da selezionare con:
  - Fullback (Massaggio su tutta la schiena)
  - Upper back (Massaggio sulla parte superiore della schiena)
  - Lower back (Massaggio sulla parte inferiore della schiena)

Il display LCD visualizzerà le relative informazioni.


### NOTE

- Quando si avvia la modalità Shiatsu, l'unità funziona solo al punto originario; quando viene selezionata una zona di massaggio, l'unità agisce su di essa con movimenti verso l'alto e verso il basso.
- L'unità si spegne automaticamente dopo circa 15/20 minuti.

## SHIATSU SU UNA ZONA

Dopo aver selezionato la modalità Shiatsu, premere il pulsante **UP** o **DOWN**  /  per indirizzare l'azione shiatsu su un punto della schiena. Regolare la posizione del meccanismo tenendo premuto uno dei due pulsanti fino al raggiungimento della successiva posizione desiderata. Il pulsante **UP**  sposta il meccanismo verso l'alto, mentre il pulsante **DOWN**  lo sposta verso il basso.

## CONTROLLO AMPIEZZA

Quando ci si trova in modalità rolling, premere il pulsante **WIDTH**  per regolare l'ampiezza tra i nodi massaggianti. Ad ogni pressione, i nodi massaggianti si spostano sulla successiva posizione disponibile (minima, media, grande).

**NOTA** Il controllo dell'ampiezza non funziona con la modalità shiatsu e 3D rolling.


## MASSAGGIO CON CALORE

Per attivare il calore rilassante, premere il pulsante **HEAT** : si illuminerà la corrispondente luce LED color ambra sui nodi massaggianti. Premere nuovamente il pulsante per deselectionarlo: la corrispondente luce LED color ambra si spegnerà.




**NOTA** Per la sicurezza degli utenti, il calore rilassante non può essere disattivato se non è in funzione un programma massaggiante.

## TIMER

Premere una volta il pulsante **TIMER**  per selezionare una durata del massaggio di 15 o 20 minuti. Sul display viene visualizzato il conteggio regressivo del timer.

**NOTA** Se non è stato impostato il timer, l'unità si spegne automaticamente dopo circa 15 minuti.

## INTENSITÀ

Premere il pulsante **INTENSITY**  per ridurre o aumentare la velocità di rotazione dei nodi dell'unità. Sul display verrà visualizzata la scritta **HI / LO** (alta / bassa) per cinque secondi, quindi tornerà la visualizzazione del conteggio regressivo del timer.

**NOTA** Questa opzione non è disponibile per le modalità 3D rolling e rolling.

## Modalità DEMO

Per una breve dimostrazione delle funzioni del sedile massaggiante 3D, tenere premuti contemporaneamente i pulsanti **SHIATSU** e **ROLLING S + R** per 3 secondi. L'unità passerà brevemente in rassegna tutte le funzioni disponibili. Le icone sul display LCD lampeggeranno spontaneamente, ad indicare la funzione corrispondente. Una volta conclusa la dimostrazione, l'unità si spegnerà automaticamente.

## MANUTENZIONE

### CONSERVAZIONE

Riporre l'unità nella sua confezione in un luogo fresco e asciutto. Tenere lontano da spigoli o da oggetti appuntiti che potrebbero tagliare o bucare la superficie. Per evitare danni, non avvolgere il cavo intorno all'unità. Non appendere l'unità per il cavo o per il cavo del telecomando.

### CLEANING

Scollegare l'unità e lasciarla raffreddare prima di procedere alla sua pulizia. Pulire solo con una spugna morbida e leggermente inumidita. Non far entrare in contatto con l'unità acqua o altri liquidi.

- Non immergere in liquidi.
- Non usare prodotti abrasivi per la pulizia, né spazzole, benzina, cherosene, prodotti per pulire i vetri o per lucidare i mobili né solventi.

- Non rimuovere o aprire la copertura dell'unità per pulire i componenti interni.

Non tentare di riparare il sedile massaggiante 3D con calore. Esso non contiene parti riparabili dall'utente.

## DURATA CONSIGLIATA DEL MASSAGGIO

Solitamente, il massaggio della schiena può durare fino a 20 minuti. L'unità ha due impostazioni per il timer: 15 e 20 minuti, per consentire all'utente di scegliere la durata più adatta alle proprie esigenze e per il confort personale. A seconda delle necessità, il prodotto si può usare un massimo di due volte al giorno.

In caso di dubbi o domande, rivolgersi al proprio medico.

## SPECIFICHE

TIPO	DESCRIZIONE
<b>UNITÀ PRINCIPALE</b>	
L x P x H	780mm(L)x400mm(P)x 90mm(H)
Peso	1200g
Alimentazione	Alimentatore DC da 12V: ENTRATA 110-240V 50/60Hz

## INFORMAZIONI SU OREGON SCIENTIFIC

Per avere maggiori informazioni sui nuovi prodotti Oregon Scientific visita il nostro sito internet [www.oregonscientific.it](http://www.oregonscientific.it), dove potrai trovare tutte le informazioni di cui hai bisogno, o collegati a [www.oregonscientificstore.it](http://www.oregonscientificstore.it).

Per ricerche di tipo internazionale puoi visitare invece il sito [www2.oregonscientific.com/about/international.asp](http://www2.oregonscientific.com/about/international.asp).

## DICHIARAZIONE DI CONFORMITÀ UE

Oregon Scientific dichiara che questo prodotto Sedile massaggiante 3D con calore (modello: WS912) è conforme alla direttiva EMC 89/336/CE. Una copia firmata e datata della Dichiarazione di Conformità è disponibile, su richiesta, tramite il servizio clienti della Oregon Scientific.









# Siège de massage 3D chauffant

Modèle : WS912

## MANUEL DE L'UTILISATEUR

### TABLE DES MATIERES

Introduction .....	1
Informations importantes relatives à la sécurité	1
Précautions .....	1
Vue d'ensemble	
Masseur .....	2
Télécommande .....	3
Ecran LCD .....	3
Caractéristiques .....	3
Au commencement	
Connexion à l'alimentation principale .....	4
Utiliser la télécommande .....	4
Utilisation du masseur .....	4
Shiatsu par point .....	4
Commande de la largeur .....	4
Massage chauffant .....	5
Minuteur .....	5
Intensité .....	5
Mode démo .....	5
Entretien	
Rangement .....	5
Nettoyage .....	5
Temps de massage recommandé .....	5
Caractéristiques .....	5
A Propos de Oregon Scientific .....	5
Déclaration de conformité UE .....	6

## INTRODUCTION

Nous vous remercions d'avoir acheté notre «Siège de massage 3D chauffant WS912». Ce manuel d'instructions contient les informations pratiques sur l'utilisation et l'entretien approprié de ce produit. Pour apprécier ces fonctionnalités, veuillez lire ce manuel avant la première utilisation et le conserver pour toute consultation ultérieure.

## INFORMATIONS IMPORTANTES RELATIVES A LA SECURITE

SI VOUS UTILISEZ UN PRODUIT ELECTRIQUE ET PARTICULIEREMENT EN PRESENCE D'ENFANTS, VEUILLEZ TOUJOURS SUIVRE LES PRECAUTIONS DE BASE, Y COMPRIS LES INSTRUCTIONS SUIVANTES :

Lire toutes les instructions avant d'utiliser les appareils.

**DANGER** Pour réduire le risque d'électrocution :

- Débranchez l'appareil de la prise électrique immédiatement avant de le nettoyer.
- Si l'appareil a été immergé, ne le rattrapez pas ou ne le touchez pas. Débranchez-le immédiatement de l'alimentation principale. Ne le mettez pas sous tension s'il est mouillé.
- Ne l'utilisez pas dans le bain ou sous la douche. Conservez l'appareil au sec. Rangez-le dans un endroit sec et sécurisé. Prenez les précautions nécessaires pour qu'il ne tombe pas dans l'évier ou la baignoire. Ne jamais l'immerger.
- Ne pas insérer des épingles ou des agrafes métalliques dans l'appareil.
- Conservez l'appareil au sec, ne pas l'utiliser en conditions humides.
- Ne vous asseyez pas ou ne vous tenez pas sur l'appareil de massage (partie arrière).
- Pour réduire les risques de brûlure, d'incendie, d'électrocution ou de blessures :
- Gardez ce produit hors de portée des enfants.
- Ne laissez pas l'appareil branché sans surveillance. Débranchez-le de la prise électrique si inutilisé et avant d'assembler ou de désassembler les pièces.
- Ces appareils ne sont pas conçus pour les personnes souffrant de certaines déficiences physiques ou mentales.
- Ne pas utiliser le produit si vous souffrez de mauvaise circulation sanguine. En cas de doutes, consultez votre médecin.
- Ne pas couvrir ou utiliser le produit sous une couverture. Couvrir le produit en cours de fonctionnement peut dégager une chaleur excessive à même de causer un incendie, une électrocution ou des blessures.
- Arrêtez d'utiliser le produit si vous somnolez. Ne pas utiliser le produit en dormant.

- Arrêtez d'utiliser l'appareil s'il présente des dommages quelconques, s'il est mouillé, s'il ne fonctionne pas correctement ou si ses composants sont trafiqués ou forcés. En cas de doute, contactez notre service d'assistance.
- Conservez le cordon d'alimentation hors de portée des sources de chaleur.
- Ne soulevez pas l'appareil en tirant sur le cordon d'alimentation ou n'utilisez pas le cordon d'alimentation pour le manipuler.
- Ne pas insérer ou mettre des objets dans les ouvertures.
- Ne pas utiliser le produit en présence d'aérosol (spray) ou en cas d'administration d'oxygène.
- Avant de le débrancher, éteignez l'appareil en appuyant sur le bouton on / off de la télécommande.
- Ne posez pas d'objets lourds sur l'appareil. Evitez les risques d'écrasement.
- Cet appareil ne peut être utilisé qu'à l'intérieur.
- Cet appareil est conçu pour un usage particulier et non professionnel.
- Utilisez cet appareil conformément à son but recherché comme décrit dans ce manuel. Ne pas utiliser d'accessoires non recommandés par Oregon Scientific.
- Ne pas insérer ou mettre des objets dans l'appareil.
- Veuillez conserver ce manuel d'utilisation pour toute consultation ultérieure.

## PRECAUTIONS

Veillez lire attentivement toutes les instructions avant l'utilisation

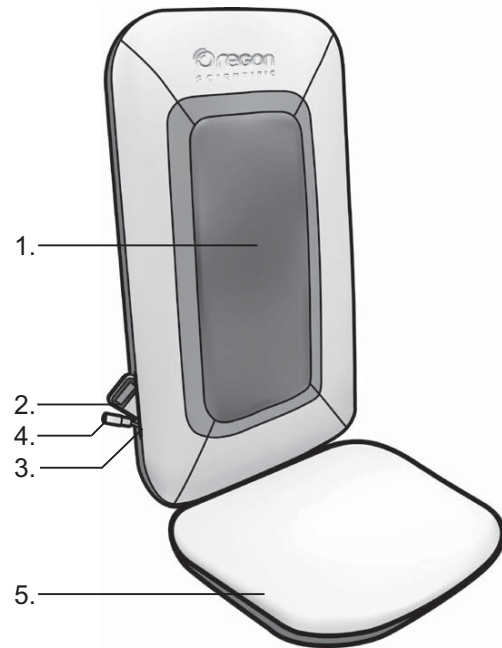
- Cet appareil n'est pas conçu pour un usage médical ou pour se substituer aux soins médicaux. Il n'a pour objectif que de vous fournir un massage relaxant.
- Les femmes enceintes, les personnes portant un pacemaker, souffrant de diabète, de phlébite et / ou de thrombose, ou présentant des risques de développer des caillots sanguins en raison d'une opération chirurgicale récente ou d'un alitement prolongé devraient consulter un médecin avant d'utiliser le produit.
- Nous ne le recommandons pas aux personnes souffrant de diabète.
- Cet appareil ne devrait pas être utilisé par une personne souffrant de maladie physique limitant sa capacité d'utiliser les commandes ou souffrant de déficiences sensorielles dans la partie inférieure du corps.
- Ne laissez pas l'appareil sans surveillance en présence d'enfants.
- Ne convient pas aux enfants. Gardez ce produit hors de portée des enfants.
- Ne pas couvrir le produit s'il est en cours d'utilisation.

- N'obstruez pas l'appareil avec des objets ou ne coincez pas des parties du corps dans le mécanisme de massage en mouvement.
- N'utilisez pas l'appareil plus de 15 minutes à la fois. Une utilisation excessive peut générer une surchauffe. En cas de surchauffe, arrêtez d'utiliser l'appareil et attendez qu'il se refroidisse avant de le réutiliser.
- Ne pas appliquer l'appareil directement sur des plaies ouvertes, des zones enflées ou enflammées ou sur des éruptions cutanées.
- Ne pas utiliser l'appareil avant d'aller dormir. Les massages procurés ont des effets stimulants à même de causer des insomnies.
- Ne pas utiliser l'appareil au lit.
- Ne pas utiliser le Shiatsu par point avec la fonction chaleur sur un point unique pendant plus de 3 minutes.
- A ne pas utiliser sur des surfaces en bois puisque la fermeture du revêtement peut endommager le bois. Soyez prudent en utilisant ce produit sur des meubles rembourrés.
- Ne jamais l'utiliser en voiture.
- Si vous ne vous sentez pas bien après avoir utilisé l'appareil, ou ressentez des douleurs dans les muscles ou les articulations pendant quelques temps, arrêtez d'utiliser le produit et consultez un médecin. Une douleur persistante peut être le symptôme d'un problème plus sérieux.
- Ne pas utiliser le produit sur une peau enflammée, enflée ou en éruption ou si vous souffrez d'une maladie de peau, d'ulcère ou de sclérose.
- N'utilisez pas cet appareil plus de 15 minutes à la fois. Patientez 15 minutes avant de commencer une autre séance de massage. Une utilisation intensive peut provoquer une surchauffe de l'appareil et réduire sa durée de vie. En cas de surchauffe, arrêtez l'appareil et attendez qu'il se refroidisse avant de le réutiliser.
- L'appareil est équipé d'un circuit de protection contre les surchauffes, s'il se met hors tension, attendez qu'il se refroidisse.
- A ne pas utiliser si vous souffrez de diabète, de tuberculose ou de tumeurs malignes ou bénignes, de phlébite ou de thrombose, ou en cas de circulation sanguine insuffisante. Consultez un médecin avant d'utiliser le produit en cas d'infection fongique, d'enflure, de fracture ou de douleur persistante.
- Pour que les lanières de velcro n'endommagent pas vos vêtements, évitez de porter des vêtements délicats ou des tricotés.
- En cas de somnolence, arrêtez immédiatement d'utiliser l'appareil et ne le laissez pas en marche lorsque vous dormez.
- Assurez-vous d'avoir les mains sèches avant d'appuyer sur les touches ou de retirer la prise.

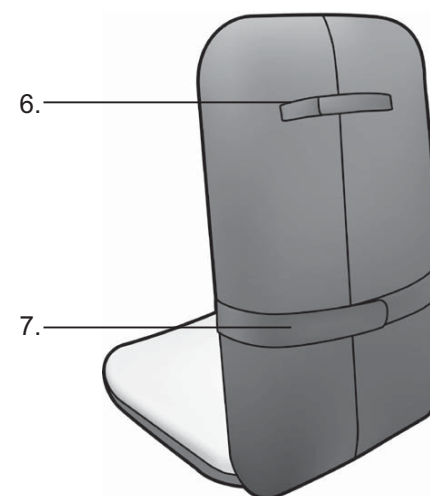
- Ne vous asseyez pas ou ne vous tenez pas sur l'appareil de massage (partie arrière).
- Avant de le débrancher, éteignez l'appareil en mettant l'encoche en position OFF.

## VUE D'ENSEMBLE

### MASSEUR



1. Boules de massage 3D
2. Télécommande avec écran LCD : Programme et modes de commande et de surveillance.
3. Support de la télécommande : Y mettre la télécommande si inutilisée.
4. Prise CC : Prise de connexion à l'adaptateur CC / CA.
5. Siège détachable.



6. Poignée.
7. Ceinture : Pour sécuriser l'appareil sur une chaise.

## TELECOMMANDE



1. **ALIMENTATION (POWER)** : Activer / désactiver l'appareil.
2. **ANALYSE (SCAN)** : Analyse le poids de l'utilisateur pour une utilisation personnalisée.
3. **PROGRAMME (PROGRAM)** : Permet de sélectionner le programme désiré **P1 / P2**
4. **MODE SHIATSU 3D** : Relaxe la tension musculaire en déplaçant les boules de Shiatsu vers le haut et vers le bas de votre dos.
- 5.&6. **SHIATSU PAR POINT HAUT ▲ ET BAS ▼ (SPOT SHIATSU UP ▲ AND DOWN ▼)** : Vous permet de cibler le massage sur une zone spécifique en déplaçant les boules vers le haut ou le bas.
7. **MODE ROULANT 3D (3D ROLLING)** : Mouvement roulant pour détendre les muscles. A l'aide de la fonction 3D, l'appareil suit les courbes du dos aussi précisément que possible.
8. **ROULANT AVEC COMMANDE DE LA LARGEUR (ROLLING WIDTH CONTROL)** : En mode roulant, appuyez sur cette touche pour ajuster la largeur des boules. A chaque pression, les boules de massage passent à la position suivante.
9. **MODE ROULANT (ROLLING MODE)** : Les boules massent délicatement vers le haut et le bas de votre colonne vertébrale.
10. **DOS ENTIER (FULL BACK)** : Massage du dos dans son ensemble.
11. **HAUT DU DOS (UPPER BACK)** : Massage de la zone dorsale.
12. **BAS DU DOS (LOWER BACK)** : Massage de la zone lombaire.
13. **CHALEUR (HEAT)** : Activer / désactiver la chaleur relaxante.
14. **TIMER** : Minuteur 15 ou 20 minutes.
15. **INTENSITE (INTENSITY)** : Intensité du massage **ELEVEE (HI)** / **FAIBLE (LO)**.

## ECRAN LCD



1. **READY (PRET)** : Sous tension.
2. **MODE SHIATSU / 3D ROLLING (ROULANT 3D) / ROLLING (ROULANT)**
3. Modes de fonction massage  
**MINS** : Réglages du minuteur et compte à rebours
4. **SCANNING (ANALYSE)** : Indique l'analyse en cours permettant de définir la gamme inférieure et supérieure des têtes de massage.
5. **INTENSITY (INTENSITE)** : Indique l'intensité de massage **HI (ELEVEE)** / **LO (FAIBLE)**.

## CARACTÉRISTIQUES

- Siège de massage 3D chauffant
- Un massage digne d'un professionnel
- Massage Shiatsu et massage roulant
- Les capteurs ajustent le massage à la hauteur du corps
- Commande de la force
- 2 paires de têtes de massage roulantes 3D et 3D shiatsu
- Dos complet, haut du dos, bas du dos et commande de massage en un point
- Détection automatique des courbes et de la hauteur pour un mode de massage adapté
- Têtes de massage chauffantes avec voyant indicateur
- Minuteur de 15 ou 20 minutes pour vous protéger des utilisations abusives
- Commande d'intensité à 2 niveaux
- Coussin détachable
- Deux modes de massages programmés
- L'écran LCD indique le statut et le temps du massage
- Détection automatique des courbes et de la hauteur pour un mode de massage adapté
- Têtes de massage chauffantes avec voyant indicateur
- Télécommande simple d'utilisation avec écran LCD

## AU COMMENCEMENT

### MISE EN GARDE

Préparer l'appareil pour la première utilisation  
Le siège de massage 3D chauffant est accompagné de 2 vis situées à l'arrière de l'appareil pour protéger le système de massage pendant son transport. Vous devez retirer ces vis avant la première utilisation pour que l'appareil fonctionne correctement. Utilisez la clé hexagonale fournie et retirez les vis.

Si vous utilisez l'appareil pour la première fois, vous entendrez un son « pop ». Cela vous indiquera que le verrou de protection du mécanisme de massage pendant le transport a été déverrouillé. Vous n'entendrez ce son que la première fois.

### CONNEXION A L'ALIMENTATION PRINCIPALE

1. Connectez la prise CC à l'adaptateur secteur.
2. Connectez l'adaptateur secteur à la prise d'alimentation.

### UTILISER LA TELECOMMANDE

Prenez la télécommande pour faire fonctionner le siège de massage 3D chauffant.

Veuillez toujours remettre la télécommande sur son support après l'avoir utilisée.

Appuyez sur le bouton **POWER** pour mettre l'appareil sous tension. **READY (PRET)** s'affichera à l'écran.

#### REMARQUE

- Ne jamais tirer sur le cordon d'alimentation ou l'enrouler autour de l'appareil.
- Ne jamais s'asseoir sur le cordon d'alimentation.

### UTILISATION DU MASSEUR

1. Sélectionnez un mode de massage lorsque **READY (PRET)** s'affiche à l'écran. L'écran LCD s'allumera et confirmera votre sélection.
2. Pour désactiver la fonction massage, appuyez à nouveau sur la touche. **READY** clignotera sur l'écran LCD lorsque le mécanisme de massage reviendra en position d'origine puis disparaîtra.

**REMARQUE** Le mécanisme de massage revient toujours en position d'origine lorsque son parcours est terminé et si l'appareil est mis hors tension sur le panneau de commande. En cas de coupure d'électricité, une fois le courant revenu, le mécanisme reviendra en position d'origine avant de commencer un nouveau massage. **READY** clignotera sur l'écran LCD lorsque les boules de massage reviendront en position initiale. L'appareil sera mis hors tension une fois terminé. Appuyez une nouvelle fois sur **POWER P** pour commencer un nouveau massage.

3. Une fois le mode massage sélectionné, le massage commencera.

Pour sélectionner le mode massage :

#### SHIATSU

- Appuyez sur le bouton **SHIATSU S** du panneau de commande.
- Appuyez sur le bouton **INTENSITY** ▲ pour sélectionner votre vitesse de massage préférée (vitesse faible ou élevée). Vous pouvez activer le Shiatsu
- simultanément au programme **Chaleur (Heat)**.

### MASSAGE ROULANT (MODE ROLLING)

- Appuyez sur le bouton **ROLLING R** du panneau de commande.
- Appuyez sur le bouton **WIDTH** ◀▶ pour ajuster la largeur des boules (étroite, moyenne ou large).
- Vous pouvez activer le roulement simultanément au programme **Chaleur (Heat)**.

### 3D ROLLING

Appuyez sur le bouton **3D ROLLING**

- de la télécommande. **3D**
- Vous pouvez activer le mode roulant
- simultanément aux programmes **Chaleur (Heat)**.

Guide des options et modes de massage :

Action	Chaleur	Largeur des boules	Up/down (Haut /Bas)	Intensité	Minuteur par défaut
Shiatsu	-	-	-	HI / LOW (HAUT / BAS)	15 mins
Roulant	-	Étroit, moyen ou large	-	-	15 mins
Roulant3D	-	-	-	-	15 mins

4. 3 zones de massage à sélectionner :

- Dos entier
- Haut du dos
- Bas du dos

L'écran LCD affichera les informations afférentes.

#### REMARQUE

- Quando si avvia la modalità Shiatsu, l'unità funziona solo al punto originario; quando viene selezionata una zona di massaggio, l'unità agisce su di essa con movimenti verso l'alto e verso il basso.
- L'unità si spegne automaticamente dopo circa 15 / 20 minuti.

### SHIATSU PAR POINT

Après avoir sélectionné le mode Shiatsu, appuyez soit sur la touche **UP** ▲ soit **DOWN** ▼ pour cibler l'action du Shiatsu sur un point de votre dos. Ajustez la position du mécanisme en maintenant un des deux boutons jusqu'à atteindre la position désirée. Le bouton **UP** ▲ déplacera le mécanisme vers le haut et le bouton **DOWN** ▼ vers le bas.

### COMMANDE DE LA LARGEUR

En mode roulant, appuyez sur le bouton **WIDTH** ◀▶ pour ajuster la largeur entre les boules de massage. A chaque pression, les boules de massage passeront à la position suivante (Étroite, moyenne, large).

**REMARQUE** La commande de la largeur n'est pas disponible en mode Shiatsu et 3D Rolling.




## MASSEUR CHAUFFANT

Pour activer la chaleur relaxante, appuyez simplement sur le bouton **HEAT** et le voyant LED ambre correspondant sur les boules de massage s'allumera. Appuyez une nouvelle fois pour désélectionner ce mode et le voyant LED correspondant s'éteindra.


**REMARQUE** Pour votre sécurité, vous ne pouvez activer la chaleur relaxante sans programme de massage.

## MINUTEUR

Appuyez sur le bouton **TIMER**  pour sélectionner 15 / 20 minutes de temps de massage. L'écran affichera le compte à rebours.

**REMARQUE** Si vous n'avez pas sélectionné de réglage du minuteur, l'appareil s'éteindra automatiquement après approximativement 15 minutes.

## INTENSITE

Appuyez sur le bouton **INTENSITY**  pour augmenter ou réduire la vitesse de rotation des boules de l'appareil. L'écran affichera **HI / LO** pendant cinq secondes puis reviendra au compte à rebours.

**REMARQUE** Cette option n'est pas disponible pour le massage roulant (Rolling) ou roulant 3D (3D rolling).

## Mode DEMO

Pour une brève présentation des fonctionnalités du Siège de Massage 3D, appuyez et maintenez les boutons **SHIATSU S** et **ROLLING R** pendant 3 secondes. L'appareil passera rapidement en revue toutes les fonctionnalités disponibles. Les icônes de l'écran LCD clignoteront pour vous indiquer l'action correspondante. Une fois terminé, l'appareil s'éteindra automatiquement.

## ENTRETIEN

### RANGEMENT

Rangez-le dans sa boîte ou dans un endroit sec et frais. Faites attention aux bords coupants ou aux objets pointus à même de couper ou de crever le tissu. Ne jamais tirer sur le cordon d'alimentation ou l'enrouler autour de l'appareil pour éviter qu'il ne se casse. Ne pendez pas l'appareil par le cordon d'alimentation ou le cordon d'alimentation de la télécommande.

## NETTOYAGE

Débranchez l'appareil et attendez qu'il refroidisse avant de le nettoyer. Nettoyez-le uniquement avec une éponge douce et légèrement humide. Prenez garde à ce que de l'eau ou tout autre liquide n'entre pas en contact avec l'appareil.

- Ne jamais l'immerger dans du liquide.
- Ne jamais utiliser de nettoyeurs abrasifs, des brosses, de l'essence, du kérosène, de la cire pour meuble ou vitre ou du diluant.
- Ne pas retirer ou ouvrir le revêtement de l'appareil pour nettoyer les pièces internes.

Ne tentez pas de réparer vous-même le Siège de massage 3D chauffant. L'appareil est composé de pièces non accessibles aux utilisateurs.

## TEMPS DE MASSAGE RECOMMANDE

Un massage du dos peut généralement durer jusqu'à 20 minutes. L'appareil dispose de 2 réglages du minuteur : 15 et 20 minutes pour vous permettre de sélectionner le temps adapté à vos besoins et votre confort personnel. Vous pouvez décider de l'utiliser une à deux fois par jour au besoin.

En cas de doute ou pour toute question, consultez votre médecin.

## CARACTERISTIQUES

TYPE	DESCRIPTION
<b>APPAREIL PRINCIPAL</b>	
L x Lx H	780 x 400 x 90 mm (30,7 x 15,7 x 3,54 pouces)
Poids	1 200 g (42,33 onces)
Alimentazione	Adaptateur secteur 12 V CC ENTREE : 100 - 240V / 50/60 Hz

## A PROPOS DE OREGON SCIENTIFIC

Pour plus d'informations sur les produits Oregon Scientific France, rendez-vous sur notre site [www.oregonscientific.fr](http://www.oregonscientific.fr). Si vous êtes aux Etats-Unis, vous pouvez contacter notre support consommateur directement: sur le site [www2.oregonscientific.com/service/support.asp](http://www2.oregonscientific.com/service/support.asp).

Pour des renseignements internationaux, rendez vous sur le site: [www2.oregonscientific.com/about/international.asp](http://www2.oregonscientific.com/about/international.asp).

## EUROPE - DÉCLARATION DE CONFORMITÉ

Par la présente, Oregon Scientific déclare que Siège de massage 3D chauffant (Modèle : WS912) est conforme à la directive européenne 89/336/CE. Une copie signée et datée de la déclaration de conformité est disponible sur demande auprès de notre Service Client.





# 3D-Massagesitz mit Wärmefunktion

Modell: WS912

## BEDIENUNGSANLEITUNG

### INHALT

Einleitung .....	1
Wichtige Sicherheitshinweise .....	1
Vorsichtsmaßnahmen .....	1
Übersicht	
Massagegerät .....	3
Fernbedienung .....	3
LCD-Anzeige .....	3
Eigenschaften .....	4
Erste Schritte	
Anschluss an Stromnetz .....	4
Umgang mit der Fernbedienung .....	4
Verwendung des Massagegeräts .....	4
Punkt-Shiatsu .....	5
Regulierung der Breite .....	5
Wärmemassage .....	5
Timer .....	5
Stärke .....	5
Demo-Modus .....	5
Wartung	
Lagerung .....	6
Reinigung .....	6
Empfohlene Massagezeit .....	6
Technische Daten .....	6
Über Oregon Scientific .....	6
EU-Konformitätserklärung .....	6

## EINLEITUNG

Wir danken Ihnen für den Erwerb des "WS912 3D-Massagesitzes mit Wärmefunktion". Diese Anleitung enthält nützliche Informationen über die richtige Anwendung und Wartung dieses Produkts. Um sich an seinen Funktionen erfreuen zu können, lesen Sie bitte diese Anleitung vor der ersten Inbetriebnahme durch und bewahren Sie sie zur späteren Einsichtnahme gut auf.

## WICHTIGE SICHERHEITSHINWEISE

BEI INBETRIEBNAHME EINES ELEKTRISCHEN GERÄTS SIND DIE NACHFOLGENDEN, GRUNDLEGENDEN VORSICHTSMASSNAHMEN, EINSCHLIESSLICH DER NACHSTEHENDEN ANWEISUNGEN, INSBESONDERE BEI ANWESENHEIT VON KINDERN, STETS ZU BEFOLGEN:

Lesen Sie bitte vor Inbetriebnahme des Geräts alle Anweisungen durch.

**GEFAHR** Zur Vermeidung des Risikos eines elektrischen Schlages:

- Trennen Sie das Gerät sofort nach Verwendung und vor der Reinigung von der Steckdose.
- Wenn das Gerät ins Wasser fällt, dürfen Sie es keinesfalls aufheben oder berühren. Schalten Sie sofort das Stromnetz ab und ziehen Sie den Netzstecker. Nehmen Sie das Gerät nicht in Betrieb, wenn es nass geworden ist.
- Verwenden Sie das Gerät nicht beim Baden oder Duschen. Halten Sie das Gerät stets trocken. Lagern Sie das Gerät an einem trockenen und geschützten Ort. Achten Sie stets darauf, dass das Gerät niemals ins Waschbecken oder in die Badewanne fallen kann. Tauchen Sie es keinesfalls in Wasser.
- Stecken Sie keine Reißnägel oder sonstige Metallklammern in das Gerät.
- Halten Sie es stets trocken – Nehmen Sie es niemals in nassem oder feuchtem Zustand in Betrieb.
- Sitzen oder stehen Sie nicht auf der Massageeinheit (der hintere Teil des Geräts).
- Um das Risiko von Verbrennungen, Bränden, elektrischen Schlägen oder Verletzungen zu verringern:
- Halten Sie es außerhalb der Reichweite von Kindern.
- Lassen Sie das angesteckte Gerät niemals unbeaufsichtigt. Trennen Sie das Gerät von der Steckdose, wenn Sie es nicht verwenden bzw. bevor Sie Teile davon anbringen oder entfernen.
- Diese Geräte sind nicht zur Verwendung durch Personen mit bestimmten Behinderungen oder mangelnden Sachkenntnissen vorgesehen.
- Verwenden Sie das Gerät nicht, wenn Sie eine

schlechte Durchblutung haben. Ziehen Sie Ihren Arzt zu Rate, wenn Sie diesbezügliche Bedenken haben.

- Legen Sie keine Decken auf das Gerät, während es in Betrieb ist. Ein Bedecken des Geräts während der Verwendung kann zur übermäßig starker Erhitzung und zu Bränden, lebensgefährlichen Stromschlägen oder Verletzungen von Personen führen.
- Verwenden Sie das Gerät nicht mehr, wenn Sie sich schläfrig fühlen. Nehmen Sie es niemals in Betrieb, während Sie schlafen.
- Sie dürfen das Gerät nicht benutzen, wenn es beschädigt oder feucht geworden ist, wenn daran unerlaubte Änderungen vorgenommen wurden, wenn es belastet wurde, oder wenn es nicht ordnungsgemäß funktioniert. Falls Sie sich nicht sicher sind, kontaktieren Sie unsere Hotline.
- Halten Sie das Netzkabel stets entfernt von Heizquellen.
- Versuchen Sie nicht, das Gerät am Netzkabel aufzuheben oder das Kabel als Tragegriff zu benutzen.
- Lassen Sie das Gerät nicht fallen und stecken Sie keine Gegenstände in vorhandene Öffnungen.
- Nehmen Sie das Gerät nicht in der Nähe von Sprühbehältern (Sprays) oder bei Verabreichung von Sauerstoff in Betrieb.
- Schalten Sie das Gerät mit der Ein-/Ausschalttaste auf der Fernbedienung aus, bevor Sie den Netzstecker ziehen.
- Stellen Sie keine schweren Gegenstände auf das Gerät. Vermeiden Sie das Risiko, dass Teile des Geräts zerbrechen können.
- Dieses Gerät ist nur zur Verwendung in Innenräumen geeignet.
- Dieses Gerät ist ausschließlich für den privaten und nicht berufsmäßigen Einsatz bestimmt.
- Nutzen Sie das Gerät nur für den in dieser Anleitung beschriebenen Verwendungszweck. Verwenden Sie keine Zubehörteile, die nicht ausdrücklich von Oregon Scientific empfohlen werden.
- Lassen Sie das Gerät nicht fallen und stecken Sie keine Gegenstände in vorhandene Öffnungen.
- Bewahren Sie die Bedienungsanleitung zur späteren Einsichtnahme gut auf.

## VORSICHTSMASSNAHMEN

Lesen Sie bitte alle Anweisungen vor Inbetriebnahme sorgfältig durch.

- Dieses Gerät nicht nicht zur medizinischen Anwendung oder als Ersatz einer ärztlichen Behandlung vorgesehen. Es ist ausschließlich dafür bestimmt, eine luxuriöse Massage zu bieten.
- Folgende Personen sollten vor der Benutzung

dieses Produkts ihren Arzt zu Rate ziehen: Schwangere Frauen, Personen mit Herzschrittmachern,

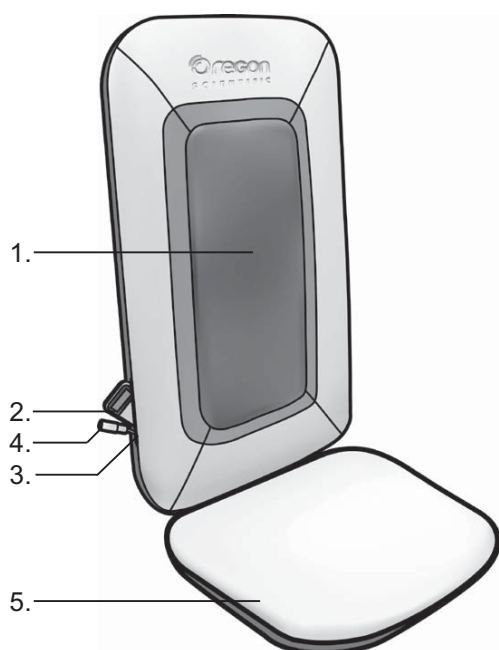
- Personen, die an Diabetes, Phlebitis und / oder Thrombose leiden, sowie Personen, die aufgrund einer kürzlichen Operation oder längerer Bettruhe ein erhöhtes Risiko für die Bildung von Blutgerinnseln aufweisen.
- Nicht zur Benutzung durch Diabetiker empfohlen.
- Dieses Gerät sollte nicht von Personen benutzt werden, die an körperlichen Beschwerden leiden, die die Fähigkeit des Benutzers zur Bedienung der Steuerelemente einschränkt, oder von Personen, die sensorische Mangelfunktionen in der unteren Körperhälfte aufweisen.
- Lassen Sie das Gerät bei Anwesenheit von Kindern niemals unbeaufsichtigt.
- Dieses Gerät ist nicht zur Benutzung durch Kinder geeignet. Halten Sie es daher stets außerhalb der Reichweite Ihrer Kinder.
- Sie dürfen das Gerät mit keinen Gegenständen abdecken, während es in Betrieb ist. Sie dürfen das Gerät mit keinen Gegenständen blockieren oder Teile Ihres Körpers in den beweglichen Massagemechanismus drücken.
- Verwenden Sie das Gerät jeweils nicht länger als 15 Minuten. Eine übermäßige Benutzung kann das Gerät überhitzen. Sollte dies der Fall sein, schalten Sie das Gerät sofort aus und warten Sie, bis es abgekühlt ist, bevor Sie es erneut verwenden.
- Verwenden Sie das Gerät nicht direkt auf offenen Wunden, oder auf Hautpartien, die geschwollen, entzündet oder durch Ausschläge infiziert sind.
- Benutzen Sie das Gerät nicht vor dem Schlafengehen. Die Massage hat eine belebende Wirkung zur Folge, die zu Schlaflosigkeit führen kann.
- Nehmen Sie das Gerät nicht im Bett in Betrieb.
- Wenden Sie die Punkt-Shiatsu-Massage mit Wärmefunktion auf einzelnen Körperpartien nicht länger als 3 Minuten an.
- Das Produkt wird nicht zur Verwendung auf Holzflächen empfohlen, da der Reißverschluss das Holz beschädigen könnte. Bei Verwendung des Produkts auf Polstermöbeln ist besondere Vorsicht geboten.
- Verwenden Sie das Produkt nicht in Kraftfahrzeugen.
- Wenn Sie sich nach der Benutzung des Geräts krank fühlen oder für längere Zeit Schmerzen in Muskeln oder Gelenken verspüren, verwenden Sie das Gerät ab sofort nicht mehr und suchen Sie einen Arzt auf. Dauerhafte Schmerzen können ein Anzeichen für einen ernsteren Zustand sein.
- Verwenden Sie das Gerät nicht auf Hautpartien, die geschwollen, entzündet oder

durch Ausschläge infiziert sind, oder wenn Sie an einer Hautkrankheit, an Geschwüren oder Krampfadern leiden.

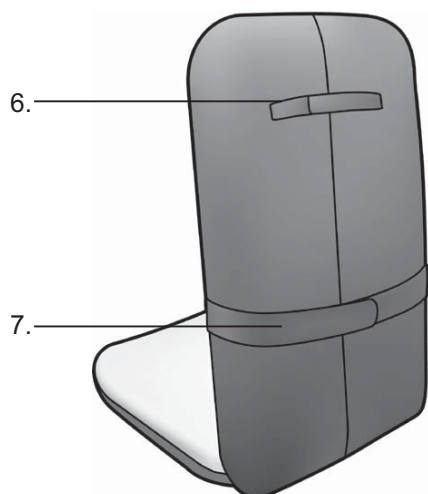
- Verwenden Sie dieses Gerät jeweils nicht länger als 15 Minuten. Warten Sie etwa 15 Minuten, bevor Sie den nächsten Bereich massieren. Eine übermäßige Benutzung kann das Gerät überhitzen und seine Lebensdauer verringern. Sollte dies der Fall sein, schalten Sie das Gerät sofort aus und lassen Sie es abkühlen, bevor Sie es erneut verwenden.
- Dieses Gerät ist mit einem Überhitzungsschutz ausgestattet; falls dieser die Stromzufuhr unterbricht, warten Sie eine Weile, bis sich das Gerät abgekühlt hat.
- Verwenden Sie das Gerät nicht, wenn Sie an Diabetes, Tuberkulose, gut- oder bösartigen Tumoren, Phlebitis und Thrombose leiden, oder wenn Sie eine schlechte Durchblutung haben. Ziehen Sie vor der Anwendung einen Arzt zu Rate, wenn Sie an Pilzinfektionen, Geschwulsten, Frakturen oder chronischen Schmerzen leiden.
- Um zu vermeiden, dass der Klettverschluss Ihre Kleidung beschädigt, sollten Sie keine empfindlichen Stoffe oder Strickkleidung tragen, wenn Sie das Gerät benutzen.
- Verwenden Sie das Gerät nicht mehr, wenn Sie sich schläfrig fühlen, und lassen Sie das Gerät nicht in Betrieb, wenn Sie schlafen gehen.
- Vergewissern Sie sich, dass Ihre Hände trocken sind, wenn Sie die Steuerelemente bedienen oder den Netzstecker ziehen.
- Sitzen oder stehen Sie nicht auf der Massageeinheit (der hintere Teil des Geräts).
- Schalten Sie das Gerät aus, indem Sie den Regler auf Stellung OFF schieben, bevor Sie den Netzstecker ziehen.

## ÜBERSICHT

### MASSAGEGERÄT



1. 3D-Massageköpfe
2. Fernbedienung mit LCD-Anzeige:  
Massageprogramm und -modi steuern und überwachen.
3. Halterung für Fernbedienung:  
Die Fernbedienung bei Nichtverwendung hier platzieren.
4. Anschlussbuchse: Anschluss für Netzadapter.
5. Abnehmbarer Sitzteil.



6. Haltegriff.
7. Sesselgurt:  
Zur Befestigung des Geräts an einem Sessel.

## FERNBEDIENUNG



1. **POWER:** Gerät ein- / ausschalten.
2. **SCAN:** Abtastung der Körpergröße des Benutzers, für individuelle Passform.
3. **PROGRAM:** Manuelle Auswahl des gewünschten Programms **P1 / P2**
4. **3D SHIATSU MODE:** Zum Lösen der Muskelspannung durch Auf- und Abbewegungen der Shiatsu-Köpfe auf Ihrem Rücken.
- 5.&6. **SPOT SHIATSU UP ▲ AND DOWN ▼ :** Massage kann durch Auf- und Abbewegen der Massageköpfe auf bestimmte Körperbereiche gerichtet werden.
7. **3D ROLLING MODE:** Durch rollende Bewegung werden Muskeln gelockert. Durch zusätzliche 3D-Funktion wird die Kontur Ihres Rückens so genau wie möglich berücksichtigt.
8. **ROLLING WIDTH CONTROL:** Taste im Rollmodus betätigen, um die Breite der Geräteköpfe einzustellen. Bei Tastenbestätigung werden die Massageköpfe zur nächsten verfügbaren Position bewegt.
9. **ROLLING MODE:** Rollelemente bearbeiten Ihren Rücken mit sanften Auf- und Abbewegungen.
10. **FULL BACK:** Massage des gesamten Rückens.
11. **UPPER BACK:** Massage des oberen Rückens.
12. **LOWER BACK:** Massage des unteren Rückens.
13. **HEAT:** Wohltuende Wärme ein- / ausschalten.
14. **TIMER:** Auswahl aus 15- oder 20-Minuten-Timer.
15. **INTENSITY:** Massagestärke **HI / LO**.

## LCD-ANZEIGE



1. **READY:** Gerät ist eingeschaltet
2. **SHIATSU / 3D ROLLING / ROLLING:** Modi für Massagefunktion



3. **MINS**: Einstellung des Timers und Minuten-Countdown
4. **SCANNING**: Abtastung ist im Gange, um unteren und oberen Bereich für Massageköpfe einzustellen.
5. **INTENSITY**: Anzeige der Massagestärke **HI / LO**.

## EIGENSCHAFTEN

- 3D-Massagesitz mit Wärme
- Massage wie von der Hand eines Therapeuten
- 3D-Shiatsu- und Rollmassage
- Sensoren passen Massage an die Körpergröße an
- Regelung der Stärke
- 2 Paare 3D-Shiatsu und 3D-Rollmassage-Köpfe
- Regler für ganzen Rücken, unteren und oberen Rücken sowie einzelne Punkte
- Autom. Erkennung der Körperkontur und –größe, um einen geeigneten Massagemodus zu gewährleisten
- Erwärmte Massageköpfe mit Leuchtanzeige
- 15 oder 20 Minuten-Timer, zum Schutz des Benutzers vor übermäßigem Gebrauch
- 2-Stufen-Regelung der Stärke
- Abnehmbares Sitzkissen
- Zwei programmierte Massagemodi
- LCD-Anzeigebildschirm zeigt Massagestatus und Timer an
- Autom. Erkennung der Körperkontur und –größe, um einen geeigneten Massagemodus zu gewährleisten
- Erwärmte Massageköpfe mit Leuchtanzeige
- Benutzerfreundliche Fernbedienung mit LCD-Anzeige

## ERSTE SCHRITTE

### ACHTUNG

Das Gerät für die erstmalige Inbetriebnahme vorbereiten -

Der 3D-Massagesitz mit Wärmefunktion verfügt über 2 Schrauben auf der Rückseite des Geräts, um das Massagesystem beim Transport zu schützen. Diese Schrauben müssen vor der erstmaligen Inbetriebnahme entfernt werden, damit das Gerät ordnungsgemäß funktionieren kann. Nehmen Sie den mitgelieferten Inbusschlüssel zur Hand und entfernen Sie die Schrauben damit.

Wenn Sie das Gerät das erste Mal in Betrieb nehmen, ertönt ein "knallendes" Geräusch. Damit wird signalisiert, dass die Sicherheitsverriegelung zum Schutz der Massagevorrichtung beim Transport nun freigegeben ist. Dies geschieht nur bei der erstmaligen Inbetriebnahme des Geräts.

## ANSCHLUSS AN STROMNETZ

1. Verbinden Sie die Anschlussbuchse mit dem Netzadapter.

2. Schließen Sie den Netzadapter an eine Steckdose an.

## UMGANG MIT DER FERNBEDIENUNG

Nehmen Sie die Fernbedienung zur Hand, um den 3D-Massagesitz mit Wärmefunktion in Betrieb zu nehmen.

Legen Sie die Fernbedienung nach Verwendung stets zurück in die Halterung.

Drücken Sie die Taste **POWER**, um das Gerät einzuschalten. Die Anzeige **READY** erscheint am Bildschirm.

### HINWEIS

- Sie dürfen nicht am Netzkabel ziehen oder es um das Gerät wickeln.
- Achten Sie darauf, dass Sie sich nicht auf das Netzkabel setzen.

## VERWENDUNG DES MASSAGEGERÄTS

1. Wählen Sie einen Massagemodus, sobald **READY** auf dem Bildschirm angezeigt wird. Der LCD-Bildschirm leuchtet auf und bestätigt Ihre Auswahl.
2. Um die Massagefunktion abzuschalten, drücken Sie einfach erneut auf die Taste. Sodann blinkt die Anzeige **READY** am LCD-Bildschirm, die Massagevorrichtung kehrt zur Ausgangsposition zurück, und das Gerät schaltet sich ab.

**HINWEIS** Die Massagevorrichtung kehrt immer zur Startposition zurück, wenn der Massagevorgang beendet ist und das Gerät mit der Steuerkonsole ausgeschaltet wird. Wenn die Stromzufuhr nach einem Netzausfall wiederhergestellt wird, kehrt der Mechanismus zum Ausgangspunkt zurück, bevor eine neue Massage beginnt. Auf dem LCD-Bildschirm blinkt **READY**, während die Massageköpfe zur Ausgangsposition zurückkehren. Nach Beendigung schaltet sich das Gerät ab. Drücken Sie erneut auf die Taste **POWER P**, um eine neue Massage zu starten.

3. Sobald der Massagemodus ausgewählt wurde, beginnt der Massagevorgang.

So wählen Sie den Massagemodus aus:


### SHIATSU

- Drücken Sie die Taste **SHIATSU S** auf der Steuerkonsole.
- Drücken Sie die Taste **INTENSITY ▲**, um Ihre gewünschte Massagestärke auszuwählen (Hohe oder niedrige Stärke).
- Die Shiatsu-Massage kann gleichzeitig mit dem Wärmeprogramm aktiviert werden.

### ROLLMASSAGE

- Drücken Sie die Taste **ROLLING R** auf der Steuerkonsole.
- Drücken Sie die Taste **WIDTH ◀▶**, um die Breite der Rollelemente einzustellen (Eng, Mittel oder Weit).
- Die Rollfunktion kann gleichzeitig mit dem Wärmeprogramm aktiviert werden.

### 3D ROLLING

- Appuyez sur le bouton **3D ROLLING**  de la télécommande.
- Vous pouvez activer le mode roulant simultanément aux programmes **Chaleur (Heat)**.

Anleitung für Massagemodi und Optionen:

Funktion	Wärme	Breite des Rollelements	Oben/ Unten	Stärke	Standard-timer
Shiatsu	-	-	-	HI / LOW	15 Minuten
Rollmassage	-	Eng, Mittel oder Weit	-	-	15 Minuten
3D-Rollmassage	-	-	-	-	15 Minuten

#### 4. Es stehen drei Massagezonen zur Auswahl:





- Gesamter Rücken
- Oberer Rücken
- Unterer Rücken

L'écran LCD affichera les informations afférentes.


#### **HINWEIS**

- Wenn der Shiatsu-Modus beginnt, funktioniert das Gerät nur im Ausgangszustand; wenn eine Massagezone gewählt wurde, arbeitet das Gerät mit Aufwärts- und Abwärtsbewegungen an der gewählten Zone.
- Das Gerät schaltet sich nach ca. 15 oder 20 Minuten automatisch ab.

### PUNKT-SHIATSU

Drücken Sie nach Auswahl des Shiatsu-Modus eine der beiden Tasten **UP**  / **DOWN** , um die Shiatsu-Massage auf einen bestimmten Punkt Ihres Rückens zu richten. Sie können die Position der Vorrichtung einstellen, indem Sie eine der beiden Tasten gedrückt halten, bis die nächste gewünschte Position erreicht ist. Mit der Taste **UP**  wird die Vorrichtung nach oben, mit der Taste **DOWN**  nach unten bewegt.

### REGULIERUNG DER BREITE

Betätigen Sie nach Aufruf des Rollmodus die Taste **WIDTH** , um die Breite zwischen den Massageköpfen einzustellen. Bei jeder Tastenbetätigung bewegen sich die Massageköpfe zur nächsten verfügbaren Position (Eng, Mittel oder Weit).

**HINWEIS** Die Regulierung der Breite funktioniert nicht im Shiatsu- oder 3D-Rollmodus.


### MASSEUR CHAUFFANT

Um die wohltuende Wärme zu starten, drücken Sie einfach auf die Taste **HEAT**, die entsprechende, bernsteinfarbene

LED-Beleuchtung auf den Massageköpfen leuchtet auf. Drücken Sie die Taste erneut, um Ihre Auswahl aufzuheben, und die entsprechende LED-Beleuchtung schaltet sich ab.


**HINWEIS** Zu Ihrer eigenen Sicherheit kann die wohltuende Wärme nur aktiviert werden, wenn ein Massageprogramm in Betrieb ist.

### TIMER

Drücken Sie die Taste **TIMER** , um die Massagezeit mit 15 / 20 Minuten auszuwählen. Am Bildschirm wird der Countdown des Timers eingeblendet.



**HINWEIS** Wenn keine Timer-Einstellung gewählt wurde, schaltet sich das Gerät nach ca. 15 Minuten automatisch ab.

### STÄRKE

Drücken Sie die Taste **INTENSITY** , um die Rotationsgeschwindigkeit der Massageköpfe zu erhöhen oder zu verringern. Auf der Anzeige wird HI / LO fünf Sekunden lang eingeblendet, anschließend kehrt sie zum Countdown des Timers zurück.

**HINWEIS** Diese Option ist nur im normalen Rollmodus sowie im 3D-Rollmodus verfügbar.

### DEMO-Modus

Um eine kurze Vorführung der Funktionen des 3D-Massagesitzes zu starten, halten Sie die Tasten **SHIATSU**  und **ROLLING**  3 Sekunden lang gedrückt. Daraufhin werden kurz alle verfügbaren Funktionen des Geräts durchlaufen. Die Symbole auf der LCD-Anzeige blinken spontan auf, um die jeweilige Funktion anzuzeigen. Sobald der Modus beendet ist, schaltet sich das Gerät automatisch ab.

### WARTUNG

#### LAGERUNG

Legen Sie das Gerät in die Schachtel zurück oder an einen geschützten, trockenen und kühlen Ort. Vermeiden Sie scharfe Kanten oder spitze Gegenstände, die die Stofffläche des Geräts zerschneiden oder durchstechen könnten. Um Bruchstellen zu vermeiden, dürfen Sie das Netzkabel nicht um das Gerät wickeln. Hängen Sie das Gerät nicht am Netzkabel oder am Kabel der Fernbedienung auf.

## REINIGUNG

Trennen Sie das Gerät vom Netzadapter und lassen Sie es vor der Reinigung auskühlen. Reinigen Sie es nur mit einem weichen, leicht feuchten Schwamm. Lassen Sie niemals zu, dass Wasser oder andere Flüssigkeiten mit dem Gerät in Berührung kommen.

- Tauchen Sie das Gerät in keine Flüssigkeiten.
- Benutzen Sie zur Reinigung niemals scheuernde Reinigungsmittel, Bürsten, Benzin, Petroleum, Glas- / Möbelpolitur oder Farbverdünner.
- Sie dürfen die Abdeckung des Geräts nicht entfernen oder am Reißverschluss öffnen, um die internen Komponenten zu reinigen.

Versuchen Sie nicht, den 3D-Massagesitz mit Wärmefunktion zu reparieren. Er enthält keine Teile, die vom Benutzer selbst repariert werden dürfen.

## EMPFOHLENE MASSAGEZEIT

Im Allgemeinen kann eine Rückenmassage bis zu 20 Minuten dauern. Dieses Gerät verfügt über 2 Timer-Einstellungen: 15 und 20 Minuten, damit können Sie die Zeiteinstellung wählen, die Ihren Bedürfnissen und Ihrem persönlichen Komfort am besten entspricht. Sie können das Gerät je nach Wunsch ein- bis zweimal täglich benutzen.

Falls Sie irgendwelche Zweifel oder Bedenken haben, sollten Sie jedenfalls Ihren Arzt zu Rate ziehen.

## TECHNISCHE DATEN

TYP	BESCHREIBUNG
<b>BASISEINHEIT</b>	
L x B x H	780 mm (L) x 400 mm (B) x 90 mm (H)
Gewicht	1200 g
Stromversorgung	Netzadapter 12V DC: EINGANG 110-240V 50 / 60Hz

## ÜBER OREGON SCIENTIFIC

Besuchen Sie unsere Website [www.oregonscientific.de](http://www.oregonscientific.de) und erfahren Sie mehr über unsere Oregon Scientific-Produkte. Auf der Website finden Sie auch Informationen, wie Sie im Bedarfsfall unseren Kundendienst erreichen und Daten herunterladen können.

Für internationale Anfragen besuchen Sie bitte unsere Website: [www2.oregonscientific.com/about/international.asp](http://www2.oregonscientific.com/about/international.asp).

## EU-KONFORMITÄTSERKLÄRUNG

Hiermit erklärt Oregon Scientific, dass 3D-Massagesitz mit Wärmefunktion (Modell: WS912) mit der EMC Richtlinie 89/336/CE übereinstimmt. Eine Kopie der unterschriebenen und mit Datum versehenen Konformitätserklärung erhalten Sie auf Anfrage über unseren Oregon Scientific Kundendienst.





# Asiento de masaje 3D con calor

**Modelo: WS912**

## MANUAL DE USUARIO

### CONTENIDOS

Introducción .....	1
Instrucciones de seguridad importantes .....	1
Precauciones .....	1
Resumen	
Masajeador .....	2
Panel de control .....	3
Pantalla LCD .....	3
Características .....	3
Inicio .....	3
Cómo conectar a la corriente	
Uso del mando a distancia .....	4
Cómo usar el masajeador .....	4
Punto shiatsu .....	4
Control de anchura .....	4
Masaje con calor .....	4
Intensidad .....	5
Temporizador.....	5
Modo demo .....	5
Mantenimiento	
Almacenamiento.....	5
Limpieza .....	5
Tiempo de masaje recomendado .....	5
Especificaciones .....	5
Acerca de Oregon Scientific .....	5
Declaración de conformidad CE .....	5

## INTRODUCCIÓN

Gracias por haber adquirido nuestro “Asiento de masaje 3D con calor WS912”. Este manual de instrucciones contiene información útil sobre cómo utilizar y cuidar este producto. Para sacar el máximo provecho a sus funciones, lea este manual antes de utilizar el aparato y guárdelo para consultarlo en el futuro.

## INSTRUCCIONES DE SEGURIDAD IMPORTANTES

SI UTILIZA UN PRODUCTO ELÉCTRICO, ESPECIALMENTE EN PRESENCIA DE NIÑOS, SIGA SIEMPRE LAS PRECAUCIONES BÁSICAS, INCLUIDAS LAS INSTRUCCIONES SIGUIENTES: Lea todas las instrucciones antes de utilizar estos aparatos.

**PELIGRO** Para reducir el riesgo de descarga eléctrica:

- Desenchufe la unidad inmediatamente después de utilizarla y antes de limpiarla.
- Si la unidad ha caído en el agua, no la coja ni la toque. Apague la corriente general y desenchufe la unidad inmediatamente. No utilice nunca la máquina si está mojada.
- No lo use mientras se toma un baño o se ducha. Mantenga la unidad seca en todo momento. Guarde la unidad en un lugar seco y seguro, donde no corra el riesgo de caer en un fregadero o una bañera. No la sumerja en agua.
- No introduzca agujas ni ningún otro tipo de fijador metálico en la unidad.
- Manténgala seca. No la use si está mojada o húmeda.
- No se siente ni se ponga de pie encima de la unidad de masaje (la parte trasera del aparato).
- Para reducir el riesgo de quemaduras, incendios, descargas eléctricas o lesiones:
- Manténgase fuera del alcance de los niños.
- No deje la unidad enchufada sin supervisión. Desconecte la toma de corriente cuando no esté en uso o antes de montar o desmontar algún elemento.
- Estas unidades no están diseñadas para que las utilicen personas discapacitadas o que no sepan utilizarlas.
- No utilice la unidad si tiene problemas de circulación. En caso de duda, consulte a su médico.
- No cubra la unidad ni la utilice debajo de una manta. Si la cubre, la unidad podría sobrecalentarse y provocar un incendio, descargas eléctricas o lesiones.
- Deje de usar la unidad si se siente somnoliento. No la use mientras duerme.
- Deje de usar la unidad si descubre que presenta daños, está mojada, ha sido manipulada o

forzada, o que no funciona correctamente. En caso de duda, consulte a nuestra línea de asistencia.

- Mantenga el cable alejado de fuentes de calor.
- No levante la unidad tirando del cable, ni use el cable como asa.
- No deje caer ni introduzca ningún objeto en ningún orificio.
- No utilice la unidad cerca de lugares en que se usan sprays o se administra oxígeno.
- Antes de desenchufar la unidad, apáguela pulsando el botón de encendido del mando a distancia.
- No coloque objetos pesados sobre la unidad. Evite aplastarla.
- Este aparato es exclusivo para uso en interiores.
- Este aparato es exclusivo para uso particular.
- Use esta unidad únicamente siguiendo las instrucciones del manual. No utilice complementos no recomendados por Oregon Scientific.
- No deje caer ni introduzca ningún objeto en la unidad.
- Guarde el manual para consultarlo en el futuro.

## PRECAUCIONES

Lea estas instrucciones en su totalidad antes de empezar.

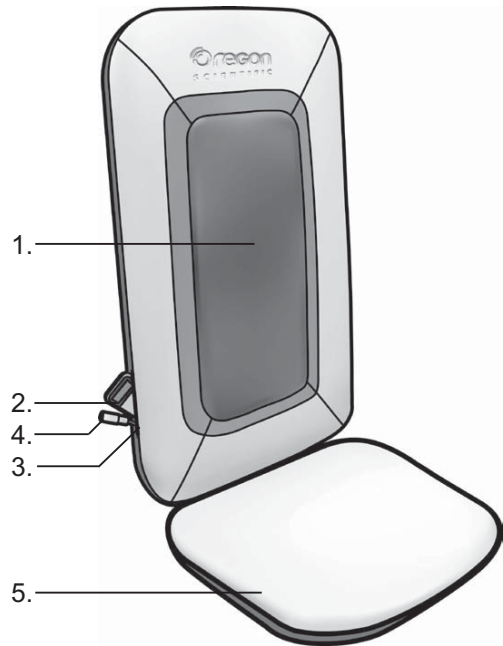
- Esta unidad no está pensada para que se le dé un uso médico ni para sustituir la atención médica. Su único objetivo es ofrecer un lujoso masaje.
- Las personas embarazadas, que lleven marcapasos, padezcan diabetes, flebitis y/o trombosis, o tienen un mayor riesgo de desarrollar coágulos sanguíneos debido a operaciones recientes o a largas estancias en la cama debería consultar a su médico antes de utilizar la unidad.
- No recomendada para personas diabéticas.
- La unidad no debería ser utilizada por personas que sufran discapacidades físicas que limiten su capacidad de operar los controles, ni por personas con deficiencias sensoriales en la mitad inferior del cuerpo.
- No deje la unidad sin supervisión si hay niños cerca.
- No adecuado para que lo usen niños. Manténgase fuera del alcance de los niños.
- No cubra la unidad con nada mientras esté funcionando.
- No obstruya el mecanismo móvil masajeador con ningún objeto ni ninguna parte de su cuerpo.
- No use la unidad durante más de 15 minutos seguidos. El uso excesivo podría sobrecalentarla. Si esto ocurre, deje de usar la unidad y espere a que se enfríe antes de volver a utilizarla.



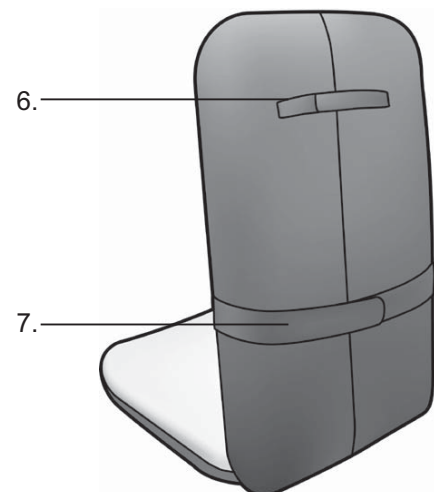
**RESUMEN**

**MASAJEADOR**

- No utilice la unidad directamente sobre heridas abiertas, hinchazones, zonas inflamadas o erupciones cutáneas.
- No utilice esta unidad antes de irse a dormir. El masaje tiene un efecto estimulante que podría quitarle el sueño.
- No use esta unidad en la cama.
- No utilice el Punto Shiatsu con control de calor en un mismo punto durante más de 3 minutos. No se recomienda utilizarlo en superficies de madera, ya que la cremallera podría dañarla. Tenga cuidado si utiliza la unidad en muebles tapizados.
- No utilice la unidad en coches.
- Si se siente mareado o experimenta dolor en músculos o articulaciones durante un periodo prolongado de tiempo, deje de utilizar el aparato y consulte a un médico. El dolor persistente podría ser un síntoma de una enfermedad más grave.
- No utilice la unidad sobre zonas cutáneas con erupciones, hinchazón, inflamaciones o afectadas por enfermedades cutáneas, úlceras o varices.
- No use la unidad durante más de 15 minutos seguidos, y déjela reposar 15 minutos antes de utilizarla de nuevo. Alargar el uso podría provocar que se sobrecalentara la unidad y se redujera su vida útil. Si se sobrecalentara la unidad, deje de utilizarla y espere a que se enfríe antes de volver a hacerlo.
- La unidad viene equipada con un circuito de protección contra sobrecalentamientos. Si la unidad se apaga, espere a que se enfríe.
- No la utilice si padece diabetes, tuberculosis, tumores benignos o malignos, flebitis o trombosis, o si tiene problemas de circulación.
- Póngase en contacto con un médico antes de utilizarla si padece algún tipo de infección por hongos, hinchazón, fractura o dolor persistente.
- Para prevenir que las tiras de velcro dañen sus prendas, no se ponga telas delicadas ni de punto cuando utilice la unidad.
- Si se siente somnoliento, deje de utilizar el producto y no lo deje funcionando mientras duerme.
- Asegúrese de que tiene las manos secas mientras opere los controles o desenchufe el aparato.
- No se siente ni se ponga de pie encima de la unidad de masaje (la parte trasera de la unidad).
- Antes de desenchufar la unidad, apáguela deslizando el interruptor a la posición OFF.



1. Nudos de masaje 3D
2. Mando a distancia con pantalla LCD: control y seguimiento del programa de masaje y los modos.
3. Soporte del mando a distancia: guarde el mando a distancia aquí cuando no lo esté utilizando.
4. Clavija de CC: Toma para conectar al adaptador de corriente de CA/CC.
5. Asiento extraíble.



6. Asa.
7. Cinta para silla: permite fijar la unidad a una silla.



## MANDO A DISTANCIA



1. **POWER:** Encender y apagar la unidad.
2. **SCAN:** Escanea la altura del usuario para personalizar el masaje.
3. **PROGRAM:** Selección manual del programa deseado P1 / P2 .
4. **MODO SHIATSU 3D:** Relajación muscular mediante el movimiento de los nudos shiatsu hacia arriba y hacia abajo por la espalda.
- 5.&6. **PUNTO SHIATSU ARRIBA ▲ Y ABAJO ▼ :** Le permite dirigir el masaje a una área específica moviendo los nudos de masaje hacia arriba o hacia abajo.
7. **MODO ROTATORIO 3D:** Un movimiento rotatorio ayuda a relajar los músculos. La función 3D adicional permite adaptarse al máximo a las curvas de la espalda.
8. **CONTROL DE ANCHURA ROTATORIO:** Mientras la unidad está en modo rotatorio, pulse este botón para ajustar la anchura de los nudos. Cada vez que pulse el botón los nudos se desplazarán a la siguiente posición disponible.
9. **MODO ROTATORIO:** Los rodillos trabajan lentamente hacia arriba y hacia abajo por su columna vertebral.
10. **ESPALDA COMPLETA:** Masaje de espalda completa.
11. **ESPALDA SUPERIOR:** Masaje de la parte superior de la espalda.
12. **ESPALDA BAJA:** Masaje de la parte inferior de la espalda.
13. **CALOR:** Activar / Desactivar calor calmante.
14. **TIMER:** Puede elegir temporizador de 15 ó 20 minutos.
15. **INTENSIDAD:** Intensidad de masaje alta / baja.

## PANTALLA LCD



1. **LISTO:** Encendido
2. **SHIATSU / MODO ROTATORIO / MODO ROTATORIO 3D:** Modos de función de masaje
3. **MINUTOS:** Temporizador y cuenta atrás por minutos
4. **ESCANEANDO:** Indican que el escáner se está efectuando para determinar la posición más alta y más baja de los cabezales.
5. **INTENSIDAD:** Muestra la intensidad de masaje (alta / baja).

## INICIO

- Asiento de masaje 3D con calor
- Un masaje como en manos de un fisioterapeuta
- Innovador masaje rodante y shiatsu 3D
- Los sensores regulan el masaje a la altura del cuerpo
- Control de potencia
- 2 pares de cabezales de masaje por shiatsu 3D y masaje rodantes 3D
- Control de la espalda entera, espalda superior, espalda inferior y control de puntos
- Detección automática de la curvatura y la altura del cuerpo para ofrecer un masaje adecuado
- Cabezales de masaje calentados con luz
- Temporizador de 15 o 20 minutos para proteger al usuario de un uso excesivo
- Control de intensidad de 2 niveles
- Cojín extraíble para el asiento
- Dos modos de masaje programados
- Pantalla LCD que muestra el estado y el temporizador del masajeador
- Detección automática de la curvatura y la altura del cuerpo para ofrecer un masaje adecuado
- Cabezales de masaje calentados con luz
- Mando a distancia fácil de usar con pantalla LCD

## CÓMO EMPEZAR

### ADVERTENCIA

Cómo preparar las unidades antes de utilizarlo por primera vez.

El Asiento de masaje 3D con calor lleva 2 tornillos en la parte trasera de la unidad para proteger el sistema de masaje durante el transporte. Antes de utilizar la unidad por primera vez, retire estos tornillos para que la unidad funcione correctamente. Use la llave Allen incluida y elimine debidamente los tornillos.

Cuando utilice la unidad por primera vez oír un "pop"; esto indica que el seguro que protege el mecanismo de masaje durante el transporte está abierto. Esto solamente ocurre la primera vez que se utiliza la unidad.

## CONEXIÓN A LA CORRIENTE

1. Conecte la clavija CC al adaptador de corriente.
2. Enchufe el adaptador de corriente

## CÓMO USAR EL MANDO A DISTANCIA

Coja el mando a distancia para operar el Asiento de masaje 3D con calor.

Guarde siempre el mando a distancia en el soporte después de utilizarlo.

Pulse el botón **POWER** para poner la unidad en marcha. Aparecerá la palabra **READY** (LISTO) en pantalla.

### NOTA

- No tire del cable ni lo enrolle alrededor del aparato.
- No se siente sobre el cable.

## CÓMO USAR EL MASAJEADOR

1. Cuando aparezca **READY** en pantalla, elija un modo de masaje. La pantalla LCD se iluminará y confirmará su selección.
2. Para apagar la función de masaje, solo tiene que volver a pulsar el botón. La palabra **READY** parpadeará en la pantalla LCD mientras el mecanismo vuelve al punto original, y a continuación se apagará.

**NOTA** El mecanismo de masaje siempre vuelve a la posición inicial cuando se acaba el masaje y cuando se apaga la unidad desde el panel de control. Si se interrumpe el suministro eléctrico, cuando vuelva la corriente el mecanismo volverá al punto original antes de iniciar otro masaje. Mientras los nudos de masaje vuelvan a su sitio, en la pantalla LCD parpadeará la palabra **READY**. El aparato se apagará cuando acabe. Pulse **POWER** de nuevo para iniciar otro masaje.

3. El masaje se iniciará cuando se elija el modo de masaje.

Cómo elegir el modo de masaje:

### SHIATSU

- Pulse el botón **SHIATSU S** del panel de control.
- Pulse el botón **INTENSITY** para seleccionar la velocidad de masaje que desee (Alta o baja).
- El modo Shiatsu puede funcionar al mismo tiempo que el programa Calor.

### MODO ROTATORIO

- Pulse el botón **ROLLING R** del panel de control.
- Pulse el botón **WIDTH** (Anchura) para ajustar la anchura de los rodillos (Estrecha, Media, Ancha).
- El modo Rotatorio puede funcionar al mismo tiempo que el programa Calor.

### MODO ROTATORIO 3D

- Pulse el botón **3D ROLLING 3D** del mando a distancia.

- El modo Rotatorio puede funcionar al mismo tiempo que el programa Calor.

Guía de modos de masaje y opciones:

Acción	Calor	Anchura de los rodillos Arriba/abajo	Arriba/abajo	Intensidad	Temporizador predeterminado
Shiatsu	-	-	-	Alta/Baja	15 minutos
Rotatorio	-	Estrecha, Media, Ancha	-	-	15 minutos
Rotatorio 3D	-	-	-	-	15 minutos

4. Puede elegir entre tres zonas de masaje:

- Espada completa
- Espalda superior
- Espalda baja

La pantalla LCD mostrará la información correspondiente.

### NOTA

- Cuando se inicia el modo Shiatsu, la unidad solamente funcionará en el punto original; cuando se detecta una zona de masaje, la unidad trabaja en la zona elegida con movimientos hacia arriba y hacia abajo.
- La unidad se apaga automáticamente después de unos 15 ó 20 minutos.

## PUNTO SHIATSU

Una vez seleccionado el modo Shiatsu, pulse los botones **ARRIBA** ▲ / **ABAJO** ▼ para determinar la zona en que quiere recibir el masaje. Ajuste la posición del mecanismo manteniendo pulsado uno de los botones hasta que la unidad llegue a la posición deseada. El botón **ARRIBA** ▲ desplazará el mecanismo hacia arriba, y el botón **ABAJO** ▼ lo moverá hacia abajo.

## CONTROL DE ANCHURA

Cuando la unidad esté en modo rotatorio, pulse el botón **WIDTH** ◀▶ para ajustar la anchura entre los nudos. Cada vez que pulse el botón los nudos se desplazarán a la siguiente anchura disponible (Estrecha, Media, Ancha).


**NOTA** El control de anchura o funciona con los modos Shiatsu ni 3D rolling.

## MASAJE CON CALOR

Para iniciar la función de calor calmante solo tiene que pulsar el botón **HEAT** y el piloto LED de color naranja de los nudos de masaje se encenderá. Pulse el botón de nuevo para salir de esta función y el piloto LED se apagará.


**NOTA** Por motivos de seguridad la función de calor calmante no se puede activar si no hay ningún programa de masaje funcionando.

## TEMPORIZADOR

Pulse el botón **TIMER**  para seleccionar si quiere que el masaje dure 15 ó 20 minutos. La pantalla mostrará la cuenta atrás del temporizador.

**NOTA** Si no se ha elegido ninguna opción, la unidad se apaga automáticamente al cabo de unos 15 minutos.

## INTENSIDAD

Pulse el botón **INTENSITY**  para reducir o incrementar la velocidad de rotación de los nudos de masaje. La pantalla mostrará **HI** / **LO** durante cinco segundos y a continuación volverá a la cuenta atrás del temporizador.

**NOTA** Esta opción no está disponible en los modos Rotatorio 3D y Rotatorio.

## Modo DEMO

Si quiere ver una pequeña muestra de las funciones del Asiento de masaje 3D, pulse los botones **SHIATSU S** y **ROLLING R** a la vez y manténgalos pulsados durante 3 segundos. La unidad mostrará brevemente todas las funciones disponibles. Los iconos de la pantalla LCD parpadearán espontáneamente para indicar la función correspondiente. Después la unidad se apagará automáticamente.

## MANTENIMIENTO

### ALMACENAMIENTO

Coloque la unidad en su caja o en un lugar seguro, seco y fresco. Mantenga la unidad apartada de cantos u objetos afilados que puedan cortar o rayar la superficie de tela. No enrolle el cable alrededor del aparato para evitar que se rompa. No cuelgue la unidad por el cable ni por el cable de la unidad del mando a distancia.

### LIMPIEZA

Desenchufe la unidad y déjela enfriar antes de limpiarla. Límpiela únicamente con una esponja suave y ligeramente humedecida. No permita nunca que agua ni ningún otro líquido entre en contacto con la unidad.

- No sumerja la unidad en ningún líquido.
- No utilice nunca detergentes abrasivos, cepillos, gasolina, queroseno, limpiacristales, abrillantador ni disolventes de pintura para limpiar la unidad.
- No retire la cubierta ni abra la cremallera para limpiar los componentes internos.

No intente reparar el Asiento de masaje 3D con calor por sí mismo. No existen piezas que el usuario pueda reparar.

## TIEMPO DE MASAJE RECOMENDADO

En general, un masaje de espalda puede durar hasta 20 minutos. Esta unidad tiene 2 opciones de temporizador (15 ó 20 minutos) que le permiten elegir el tiempo adecuado a sus necesidades y comodidad personal. Puede elegir utilizar este producto una o dos veces al día.

Si tiene alguna duda o preocupación, consulte a su médico.

## FICHA TÉCNICA

TIPO	DESCRIPCIÓN
<b>UNIDAD PRINCIPAL</b>	
L x A x A	780mm(L)x400mm(A)x90mm(A) (30,7 x 15,7 x 3,54 pulgadas)
Peso	1200 g (42.33 oz)
Potencia	Adaptador 12V CC: ENTRADA 110-240 V 50/60 Hz

## SOBRE OREGON SCIENTIFIC

Visite nuestra página web ([www.oregonscientific.com](http://www.oregonscientific.com)) para conocer más sobre los productos de Oregon Scientific. Si está en EE.UU y quiere contactar directamente con nuestro Departamento de Atención al Cliente, por favor visite [www2.oregonscientific.com/service/support.asp](http://www2.oregonscientific.com/service/support.asp).

Si está en España y quiere contactar directamente con nuestro Departamento de Atención al Cliente, por favor visite [www.oregonscientific.es](http://www.oregonscientific.es) o llame al 902 338 368.

Para consultas internacionales, por favor visite [www2.oregonscientific.com/about/international.asp](http://www2.oregonscientific.com/about/international.asp).

## EU - DECLARACIÓN DE CONFORMIDAD

Por medio de la presente, Oregon Scientific declara que el Asiento de masaje 3D con calor (Modelo: WS912) cumple con la Directiva 89/336/CE del EMC. Tiene a su disposición una copia firmada y sellada de la Declaración de Conformidad, solicítela al Departamento de Atención al Cliente de Oregon Scientific.







# Assento com Massagem 3D Aquecido

Modelo: WS912

## MANUAL DO UTILIZADOR

### ÍNDICE

Introdução .....	1
Instruções de Segurança Importantes .....	1
Precauções .....	1
Visão geral	
Massageador .....	2
Painel de Controlo .....	3
Ecrã LCD .....	3
Características .....	3
Introdução	
Ligar à alimentação eléctrica .....	4
Manusear o controlo remoto .....	4
Usar o massageador .....	4
Ponto de acupressão .....	4
Controlo da largura .....	4
Massagem aquecida .....	4
Temporizador .....	5
Intensidade .....	5
Modo de demonstração .....	5
Manutenção	
Armazenagem .....	5
Limpeza .....	5
Tempo de massagem recomendado .....	5
Especificações .....	5
Sobre a Oregon Scientific .....	5
Declaração de Conformidade da UE .....	5

## INTRODUÇÃO

Obrigado por ter adquirido o “Assento com Massagem 3D Aquecido WS912”. Este manual de instruções contém informações úteis sobre a utilização e manutenção correctas deste produto. Para que possa beneficiar das suas funcionalidades, leia este manual antes da primeira utilização e guarde-o para futuras consultas.

## INSTRUÇÕES DE SEGURANÇA IMPORTANTES

DURANTE A UTILIZAÇÃO DE UM PRODUTO ELÉCTRICO, EM PARTICULAR NA PRESENÇA DE CRIANÇAS, SIGA SEMPRE PRECAUÇÕES BÁSICAS, INCLUINDO AS SEGUINTE INSTRUÇÕES:

Leia todas as instruções antes de usar estas unidades.

**PERIGO** Para reduzir o risco de choque eléctrico:

- Desligar a unidade da tomada eléctrica imediatamente depois de a utilizar e antes de a limpar.
- Se a unidade cair na água, não pegar nem tocar na mesma. Desligar da rede eléctrica e retirar a ficha da tomada imediatamente.
- Não colocar a unidade a funcionar se estiver molhada.
- Não usar no banho ou no duche. Manter a unidade sempre seca. Guardar a unidade num local seco e seguro. Manter a unidade afastada de locais onde possa cair num lavatório ou numa banheira. Não submergir em água. Não inserir pinos ou outros objectos metálicos na unidade.
- Manter seca – Não operar em condições molhadas ou com humidade.
- Não sentar ou manter-se de pé em cima da unidade de massagem (a parte traseira do aparelho).
- Para reduzir o risco de queimaduras, incêndio, choque eléctrico ou lesões em pessoas:
- Manter afastado do alcance das crianças.
- Não deixar uma unidade ligada sem supervisão. Desligar da tomada quando não estiver a ser utilizada e antes de colocar ou retirar peças.
- Estas unidades não se destinam a ser utilizadas por pessoas com determinadas incapacidades ou falta de conhecimentos.
- Não usar se sofrer de má circulação sanguínea. Se não tiver a certeza, consulte o seu médico.
- Não cobrir ou usar a unidade debaixo de um cobertor quando estiver um funcionamento. Se a cobrir durante a sua utilização poderá aquecer em excesso a unidade o que poderá causar um incêndio, electrocussão ou lesões em pessoas.
- Parar a utilização da unidade se se sentir sonolento.

- Não usar enquanto estiver a dormir.
- Deixar de usar a unidade se estiver danificada, molhada, com falhas, com interrupções ou não estiver a funcionar correctamente. Se tiver dúvidas, contacte a nossa Linha de Apoio.
- Manter o cabo de alimentação eléctrica afastados de fontes de calor.
- Não levantar a unidade puxando pelo cabo da alimentação eléctrica ou usando o cabo como pega.
- Não deixar cair ou inserir qualquer objecto numa abertura.
- Não utilizar onde estiverem a ser usadas unidades de aerossóis (spray) ou onde estiver a ser administrado oxigénio.
- Antes de retirar a ficha da tomada, desligar a unidade premindo o botão on/off (ligar/desligar) no controlo remoto.
- Não colocar objectos pesados sobre a unidade. Evitar o risco de esmagamento.
- A unidade destina-se somente a ser usada no interior.
- A unidade é concebida somente para uma utilização não profissional.
- Utilizar esta unidade somente para o uso a que se destina conforme descrito neste manual. Não utilizar acessórios que não sejam recomendados pela Oregon Scientific.
- Não deixar cair ou inserir qualquer objecto na unidade.
- Guarde o manual para futuras consultas.

## PRECAUÇÕES

Ler todas as instruções com cuidado antes de iniciar a utilização.

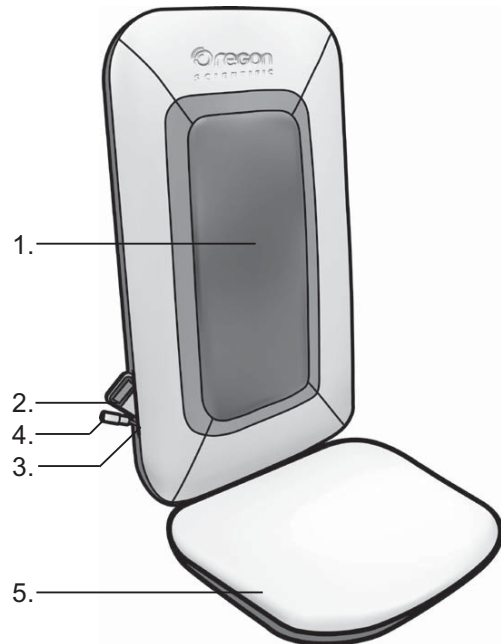
- Esta unidade não se destina ao uso médico nem substitui cuidados médicos. Tem somente como objectivo proporcionar uma massagem esplêndida.
- As mulheres grávidas e as pessoas com pacemaker implantado, que tenham diabetes, flebite e/ou sofrido uma trombose, ou que apresentem um elevado risco de desenvolver coágulos sanguíneos devido a uma cirurgia recente ou tempo de acamação prolongado, devem consultar o médico antes de usarem a unidade.
- Não se recomenda a utilização em diabéticos.
- Esta unidade não deve ser utilizada por pessoas que sofram de problemas físicos que possam limitar a sua capacidade para operar os controlos, ou que possuam deficiências motoras nos membros inferiores.
- Não deixar a unidade sem supervisão na presença de crianças.
- Esta unidade não é adequada para ser usada em crianças. Manter afastado do alcance das crianças.
- Não cobrir a unidade enquanto está em funcionamento.



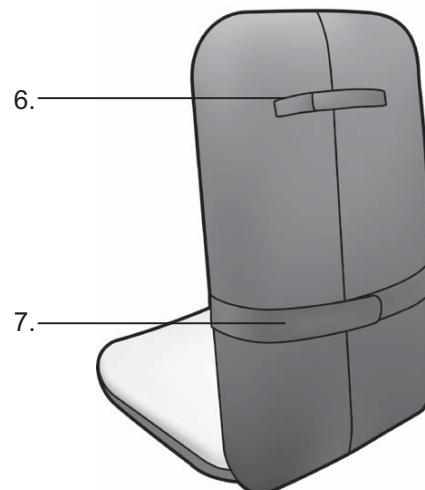
## VISÃO GERAL

## MASSAGEADOR

- Não obstruir com objectos ou enfiar alguma parte do seu corpo no mecanismo de massagem em movimento.
- Não utilizar a unidade durante mais de 15 minutos consecutivos. O uso excessivo pode sobreaquecer a unidade. Se isto acontecer, parar a utilização da unidade e esperar até que arrefeça antes da próxima utilização.
- Não usar a unidade directamente em feridas abertas, áreas inchadas ou inflamadas ou com erupções cutâneas.
- Não utilizar esta unidade antes de se deitar. A massagem tem um efeito de estimulação que pode atrasar o sono.
- Não usar esta unidade na cama.
- Não usar o Ponto de Acupressão com a função de calor num único ponto durante mais de 3 minutos.
- Não recomendado para utilização em superfícies de madeira uma vez que o fecho pode danificar a madeira. Tenha cuidado especial ao utilizar em mobiliário estofado.
- Não utilizar em automóveis.
- Se se sentir indisposto ou sentir dor nos músculos ou articulações durante um longo período de tempo, pare de usar o aparelho e consulte um médico. A dor persistente pode ser um sintoma de uma condição mais grave.
- Não usar a unidade em áreas da pele com erupções cutâneas, inchadas ou inflamadas, e se tiver alguma doença de pele, úlceras varicosas ou varizes.
- Não utilizar esta unidade durante mais de 15 minutos consecutivos. Deixar parada durante 15 minutos antes da próxima sessão. O uso exaustivo para resultar em aquecimento excessivo e redução da duração da unidade. Caso isto ocorra, interrompa a utilização e deixe a unidade arrefecer antes de voltar a utilizar.
- Esta unidade está equipada com um circuito de protecção de sobreaquecimento. Se a alimentação for cortada, espere até a unidade arrefecer.
- Não utilizar se sofrer de diabetes, tuberculose, tumores benignos ou malignos, flebite e trombose, ou se tiver má circulação sanguínea. Se sofrer de algum tipo de infecção fúngica, inchaço, fractura ou dor persistente, consultar um médico antes de utilizar a unidade.
- Para evitar que as faixas de velcro danifiquem o vestuário, evite usar tecidos delicados ou malhas quando usar a unidade.
- Se se sentir sonolento, interrompa a utilização da unidade e não a deixe a funcionar enquanto está a dormir.
- Certifique-se que tem as mãos secas quando usar os controlos ou remover a ficha.
- Não sentar ou manter-se de pé em cima da unidade de massagem (a parte traseira da unidade).
- Antes de desligar a ficha, desligar a unidade deslizando o controlador para a posição OFF.



1. Bolas de massagem 3D
2. Controlo remoto com ecrã LCD: controlo e supervisão dos programas e modos de massagem.
3. Suporte para o controlo remoto: colocar o controlo remoto aqui quando não estiver a ser utilizado.
4. Entrada CC: tomada para ligar o adaptador de alimentação CA / CC.
5. Assento amovível.



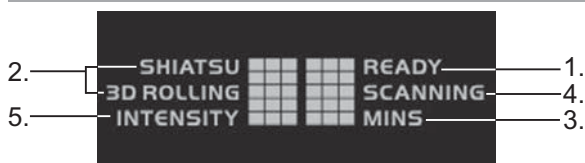
6. Pega.
7. Cinto da cadeira: fixar a unidade a uma cadeira.

## CONTROLO REMOTO



1. **POWER:** liga / desliga a unidade.
2. **SCAN:** faz um scan da altura do corpo do utilizador para uma adaptação personalizada.
3. **PROGRAM:** selecciona manualmente o programa desejado **P1 / P2**
4. **3D SHIATSU MODE:** tem como objectivo ajudar a libertar a tensão muscular movendo as bolas de acupressão para cima e para baixo nas costas.
- 5.&6. **SPOT SHIATSU UP ▲ AND DOWN ▼ :** permite direccionar a massagem para uma área específica movendo as bolas de massagem para cima ou para baixo.
7. **3D ROLLING MODE:** movimento de rolamento com o objectivo de relaxar os músculos. Com a adição da função 3D, segue as curvas das costas de forma tão precisa quanto possível.
8. **ROLLING WIDTH CONTROL:** no modo rolamento, premir para ajustar a largura das bolas da unidade. A cada pressão, as bolas de massagem movem-se para a próxima posição.
9. **ROLLING MODE:** os rolamentos rolam devagar para cima e para baixo ao longo da coluna.
10. **FULL BACK:** Massagem de costas completas.
11. **UPPER BACK:** Massagem na parte superior das costas.
12. **LOWER BACK:** Massagem na parte inferior das costas.
13. **HEAT:** ligar / desligar o aquecimento relaxante.
14. **TIMER:** opção de temporizador de 15 ou 20 minutos.
15. **INTENSITY:** intensidade de massagem alta (**HI**) / baixa (**LO**).

## ECRÃ LCD



1. **READY:** ligada
2. **SHIATSU / 3D ROLLING / ROLLING:** modos de função da massagem
3. **MINS:** configuração do temporizador e contagem decrescente dos minutos
4. **SCANNING:** indica que o scan está a ser feito para definir o intervalo inferior e superior para as cabeças de massagem.
5. **INTENSITY:** mostra a intensidade de massagem alta (**HI**) / baixa (**LO**).

## CARACTERÍSTICAS

- Assento para massagem 3D com aquecimento
- Massaja como as mãos de um terapeuta
- Massagem de acupressão a 3D e de rolamento
- Sensores de ajustamento da massagem à altura do corpo
- Controlo de força
- 2 pares de cabeças de massagem de Shiatsu 3D e de rolamento 3D
- Controlo das costas completas, parte superior das costas, região lombar e pontos específicos
- Detecção automática das curvas e da altura do corpo para fornecer um modo de massageador adequado
- Cabeças de massagem aquecidas com indicador luminoso
- Temporizador de 15 ou 20 minutos para proteger o utilizador contra o uso excessivo
- Controlo da intensidade com 2 níveis
- Almofada de assento amovível
- Dois modos de massagem programáveis
- Visor em LCD com visualização do estado do massageador e do temporizador
- Detecção automática das curvas e da altura do corpo para fornecer um modo de massageador adequado
- Cabeças de massagem aquecidas com indicador luminoso
- Controlo remoto fácil de usar com visor LCD

## INTRODUÇÃO

### ADVERTÊNCIA

Preparação da unidade para a primeira utilização - O Assento com Massagem 3D Aquecido possui 2 parafusos localizados na parte de trás da unidade para proteger o sistema de massagem durante o transporte. Estes parafusos devem ser removidos antes da primeira utilização para que a unidade funcione correctamente. Usar a chave Allen fornecida e eliminar os parafusos de forma adequada.

Quando utilizar a unidade pela primeira vez vai ouvir um som "pop". Isto indica que o bloqueio de segurança para proteger o mecanismo de massagem durante o transporte está desbloqueado. Isto só se verifica quando a unidade é usada pela primeira vez.

## LIGAÇÃO À REDE ELÉCTRICA

1. Ligar o adaptador de corrente na entrada CC.
2. Ligar o adaptador de corrente à rede eléctrica

## MANUSEAR O CONTROLO REMOTO

Pegue no controlo remoto para operar o Assento com Massagem 3D Aquecido.

Guarde sempre o controlo remoto no seu suporte depois da utilização.

Premir o botão **POWER** para ligar a unidade. É visualizado **READY** no ecrã.

### NOTA

- Não puxar pelo cabo de alimentação nem o enrolar à volta da unidade.
- Não se sente sobre o cabo de alimentação.

## USAR O MASSAGEADOR

1. Seleccionar um modo de massagem quando **READY** for visualizado no ecrã. O ecrã LCD acende-se e confirma a sua selecção.
2. Para desligar a função de massagem, prima novamente o botão. No ecrã LCD, **READY** aparece a piscar enquanto o mecanismo de massagem volta ao ponto inicial e depois desliga-se.

**NOTA** O mecanismo de massagem volta sempre à posição inicial quando o percurso da massagem chega ao fim e quando a unidade é desligada no painel de controlo. Se a alimentação eléctrica for interrompida, quando a mesma é restaurada, o mecanismo volta ao ponto original antes de iniciar uma nova massagem. No ecrã LCD, **READY** pisca enquanto as bolas de massagem estão a voltar à posição inicial. O aparelho desliga-se assim que isto terminar. Premir **POWER** **P** novamente para iniciar uma nova massagem.

3. Uma vez seleccionado o modo de massagem, a massagem é iniciada.

Para seleccionar o modo de massagem:

### ACUPRESSÃO

- Premir o botão **SHIATSU** (acupressão) **S** no painel de controlo.
- Premir o botão **INTENSITY** (intensidade) **▲** para seleccionar a velocidade de massagem desejada (alta ou baixa velocidade).

A acupressão pode ser activada ao mesmo tempo que o programa de aquecimento.

### ROLAMENTO

- Premir o botão **ROLLING** (rolamento) **R** no painel de controlo.
- Premir o botão **WIDTH** (largura) **◀▶** para ajustar a largura dos rolamentos (estreita, média ou larga).
- O rolamento pode ser activado ao mesmo tempo que o programa de aquecimento.

## ROLAMENTO 3D

- Premir o botão **3D ROLLING** (rolamento 3d) **3D** no controlo remoto.
- O rolamento pode ser activado ao mesmo tempo que o programa de aquecimento.

Guia para os modos de massagem e opções:

Acção	Aquecimento	Largura do rolamento	Cima/baixo	Intensidade	Temporizador predefinido
Acupressão	-	-	-	HI / LOW (alta/baixa)	15 minutos
Rolamento	-	Estreita, média ou larga	-	-	15 minutos
Rolamento 3D	-	-	-	-	15 minutos

4. Três zonas de massagem a seleccionar com:

- Costas completas
- Parte superior das costas
- Parte inferior das costas

O ecrã LCD apresenta as informações de acordo com cada uma.

### NOTA

- Quando o modo acupressão é iniciado, a unidade funciona somente no ponto original. Quando é seleccionada uma zona de massagem, a unidade funciona na zona escolhida com movimentos para baixo e para cima.
- A unidade desliga-se automaticamente passados cerca de 15 a 20 minutos.

## PONTO DE ACUPRESSÃO

Depois de seleccionar o modo Acupressão, premir um dos botões **UP ▲** / **DOWN ▼** (cima / baixo) para direccionar a acção da acupressão num ponto na costas. Ajustar a posição do mecanismo mantendo premido um dos botões até ter atingido a próxima posição desejada. O botão **UP ▲** (cima) move o mecanismo para cima e o botão **DOWN ▼** (baixo) move-o para baixo.

## CONTROLO DA LARGURA

Quando está no modo rolamento premir o botão **WIDTH ◀▶** (largura) para ajustar a largura entre as bolas de massagem. A cada pressão, as bolas de massagem movem-se para a próxima posição disponível (estreita, média ou larga).


**NOTA** O controlo da largura não funciona com a acupressão e o rolamento 3D.

## MASSAGEADOR AQUECIDO

Para iniciar o calor relaxante, premir o botão **HEAT** (calor) e o LED amarelo correspondente nas bolas de massagem acende-se. Premir novamente o botão para interromper o calor e o LED correspondente desliga-se.


**NOTA** Para sua segurança, o calor relaxante não pode ser ligado se não estiver em funcionamento um programa de massagem.

## TEMPORIZADOR

Premir o botão **TIMER**  (temporizador) para seleccionar uma massagem de 15/20 minutos. O ecrã mostra a contagem decrescente do temporizador.

**NOTA** Se não foi seleccionado um temporizador, a unidade desliga-se automaticamente passados cerca de 15 minutos.

## INTENSIDADE

Premir o botão **INTENSITY**  (intensidade) para diminuir ou aumentar a velocidade de rotação das bolas da unidade. O visor apresenta **HI / LO** durante cinco segundos e depois volta à contagem decrescente do temporizador.

**NOTA** Esta opção não está disponível no rolamento 3D e rolamento.

## Modo de demonstração

Para uma breve demonstração das funcionalidades do Assento de Massagem 3D, premir e manter premido os botões **SHIATSU S** e **ROLLING R** + ao mesmo tempo durante 3 segundos. A unidade passa rapidamente por todas as funcionalidades da mesma. Os ícones no ecrã LCD piscam de forma rápida para indicar a função correspondente. Uma vez terminada, a unidade desliga-se automaticamente

## MANUTENÇÃO

### ARMAZENAGEM

Guardar a unidade na sua caixa num local seguro, seco e fresco. Manter afastada de bordas afiadas ou objectos pontiagudos que possam cortar ou furar a superfície de tecido. Para evitar rupturas, não enrolar o cabo de alimentação à volta da unidade. Não pendurar a unidade pelo cabo de alimentação ou pelo cabo do controlo remoto da mesma.

### LIMPEZA

Desligar a unidade e deixar arrefecer antes de limpar. Limpar somente com uma esponja suave, ligeiramente humedecida. Não deixar que a unidade entre em contacto com água ou outros líquidos.

- Não imergir em líquidos.
- Nunca usar produtos de limpeza abrasivos, escovas, gasolina, querosene, produtos para

- polir vidros/mobiliário ou diluente para limpar.
  - Não remover ou abrir o fecho da cobertura da unidade para limpar as peças internas.
- Não tentar reparar o Assento com Massagem 3D Aquecido. Não existem peças reparáveis pelo utilizador.

## TEMPO DE MASSAGEM RECOMENDADO

Em geral, a massagem às costas deve demorar um máximo de 20 minutos. Esta unidade possui 2 configurações de temporizador: 15 e 20 minutos, que lhe permitem escolher a configuração de tempo adequada às suas necessidades e conforto pessoal. Pode optar por a usar uma ou duas vezes por dia, conforme necessitar. Se tiver dúvidas ou preocupações, consulte sempre o seu médico.

## ESPECIFICAÇÕES

TIPO	DESCRIÇÃO
<b>UNIDADE PRINCIPAL</b>	
C x L x A	780 mm (C) x 400 mm (L) x 90 mm (A)
Peso	1200 g
Alimentação	Adaptador de corrente de 12V CC: ENTRADA 110-240V 50 / 60Hz

## SOBRE A OREGON SCIENTIFIC

Visite nosso site ([www.oregonscientific.com.br](http://www.oregonscientific.com.br)) para saber mais sobre os produtos Oregon Scientific.

Caso você necessite de mais informações ou tenha dúvidas, entre em contacto com o nosso Serviço de Atendimento ao Consumidor através do telefone (11) 5095-2329 ou e-mail [sac@oregonscientific.com.br](mailto:sac@oregonscientific.com.br).

## EU - DECLARACIÓN DE CONFORMIDAD

A Oregon Scientific declara que este Assento com Massagem 3D Aquecido (Modelo: WS912) está de acordo com a EMC diretiva 89/336/CE. Uma cópia assinada e datada da Declaração de Conformidade está disponível para requisições através do nosso SAC.







# 3D massagestoel met verwarming

Model: WS912

## HANDLEIDING

### INHOUD

Introductie .....	1
Belangrijke veiligheidsinstructies .....	1
Waarschuwingen .....	1
Overzicht	
Masseur .....	2
Bedieningspaneel .....	3
LCD-Scherm .....	3
Eigenschappen .....	3
Aan de slag	
Aansluiting op voeding .....	3
Afstandsbediening gebruiken .....	3
De masseur gebruiken .....	4
Spot Shiatsu .....	4
Breedteregeling .....	4
Warmtemassage .....	4
Timer .....	5
Intensiteit .....	5
Demomodus .....	5
Onderhoud	
Bewaren .....	5
Reinigen .....	5
Aanbevolen massagetijd .....	5
Specificaties .....	5
Over Oregon Scientific .....	5
EC-Verklaring van Conformiteit .....	5



## INTRODUCTIE

Dank u voor de aanschaf van onze "WS912 3D massagestoel met verwarming". Deze handleiding bevat nuttige informatie over het gebruik en het onderhoud van dit product. Om van alle functies te profiteren, dient u deze handleiding voor gebruik zorgvuldig door te lezen en te bewaren ter naslag.

## BELANGRIJKE VEILIGHEIDSINSTRUCTIES

BIJ HET GEBRUIK VAN EEN ELEKTRONISCH PRODUCT, MET NAME IN DE BUURT VAN KINDEREN, DIENT U ALTIJD DE BASISWAARSCHUWINGEN IN ACHT TE NEMEN, INCLUSIEF DE VOLGENDE INSTRUCTIES:

Lees alle instructies alvorens die apparaat te gebruiken.

**GEVAAR** Om de kans op elektrische schokken te verminderen:

- Haal de stekker uit het stopcontact na gebruik en voordat u het apparaat reinigt.
- Als dit apparaat in het water is gevallen, raak het dan absoluut niet aan. Zet de hoofdschakelaar onmiddellijk uit en haal de stekker uit het stopcontact. Gebruik het apparaat nooit als het nat is
- Gebruik dit apparaat niet in bad of onder de douche. Houd het apparaat altijd droog. Bewaar dit product op een droge, veilige plaats. Zorg dat het apparaat niet in de wasbak of in bad kan vallen. Dompel het product niet onder in water.
- Steek geen naalden of andere metalen voorwerpen in het apparaat.
- Houd dit apparaat droog – gebruik het niet onder natte of vochtige omstandigheden.
- Ga niet zitten of staan op het massagegedeelte (de achterkant van het apparaat).
- Om het risico van brand, verbrandingen schokken of persoonlijke verwondingen te verminderen:
- Buiten bereik van kinderen houden.
- Laat het apparaat niet onbeheerd in het stopcontact zitten. Wanneer u het apparaat niet gebruikt of onderdelen wilt opzetten of afnemen, haal dan de stekker uit het stopcontact.
- Dit apparaat is niet bedoeld voor gebruik door personen met bepaalde handicaps of gebrek aan kennis.
- Gebruik dit apparaat niet als u last hebt van slechte doorbloeding. Neem in geval van twijfel contact op met uw arts.
- Bedek dit apparaat tijdens gebruik niet met een deken. Door het apparaat te bedekken tijdens gebruik, kan het overmatig warm worden, waardoor een risico op brand, elektrocutie of persoonlijke verwondingen ontstaat.

- Stop het product te gebruiken wanneer u zich slaperig begint te voelen. Gebruik dit apparaat niet tijdens het slapen.
- Stop met het gebruik van dit product als het beschadigd, nat of opengemaakt is, of als het apparaat niet juist functioneert. Neem in geval van twijfel contact op met onze Hulplijn.
- Houd de stroomkabel uit de buurt van warmtebronnen.
- Til dit product niet op aan de stroomkabel.
- Zorg dat er geen voorwerpen in enige opening terecht komen.
- Gebruik dit product niet op de zelfde plaats waar sprays worden gebruikt of zuurstof wordt toegediend.
- Zet het apparaat uit door op de aan/uit-knop van de afstandsbediening te drukken voordat u de stekker uit het stopcontact haalt.
- Plaats geen zware voorwerpen op het apparaat. Zorg dat het apparaat niet beschadigd raakt door overmatige belasting.
- Dit apparaat is alleen bedoeld voor gebruik binnenshuis.
- Dit apparaat is alleen bedoeld voor niet-professioneel gebruik.
- Gebruik dit apparaat alleen zoals staat beschreven in deze handleiding. Gebruik geen accessoires die niet worden aanbevolen door Oregon Scientific
- Zorg dat er geen voorwerpen in enige opening terecht komen.
- Bewaar deze handleiding voor later gebruik.

## WAARSCHUWINGEN

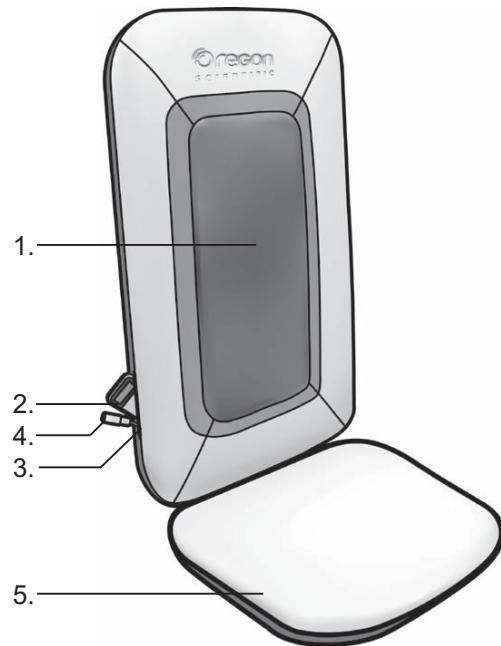
Lees voor gebruik alle instructies zorgvuldig door.

- Dit apparaat is niet bedoeld voor medisch gebruik of om medische zorg te vervangen. Het is uitsluitend bedoeld om een luxueuze massage te geven.
- Personen die zwanger zijn, een pacemaker dragen, leiden diabetes, leiden aan phlebitis en/of trombose, of een verhoogd risico op het ontwikkelen van bloedproppen hebben vanwege een recente operatie of het doorbrengen van een langere rustperiode in bed, dienen contact op te nemen met een arts alvorens dit product te gebruiken.
- Niet aanbevolen voor gebruik door diabetici.
- Dit apparaat moet niet gebruikt worden door personen die last hebben van fysieke ongemakken die het bedienen van het apparaat kunnen bemoeilijken of door personen met verminderde zintuiglijke vermogens in hun onderlichaam.
- Laat dit product niet onbeheerd achter in de buurt van kinderen.
- Niet geschikt voor gebruik door kinderen. Buiten bereik van kinderen houden.
- Bedek dit product niet tijdens gebruik.

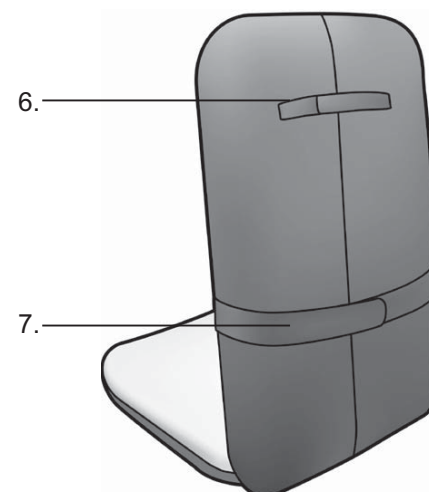
- Blokkeer het apparaat niet met voorwerpen, en kom niet te hard met bepaalde lichaamsdelen tegen het bewegende massagemechanisme aan.
- Gebruik dit product niet langer dan 15 minuten aan een stuk. Overmatig gebruik kan het apparaat oververhitten. Indien dit gebeurt, stop dan onmiddellijk dit product te gebruiken en wacht totdat het weer afgekoeld is voordat u het weer gebruikt.
- Gebruik dit apparaat niet direct op open wonden, zwellingen of geïrriteerde delen van de huid.
- Gebruik dit apparaat niet voordat u naar bed gaat. De massage heeft een stimulerend effect en kan slapeloosheid veroorzaken.
- Gebruik dit product nooit in bed.
- Gebruik de Spot Shiatsu-massage met warmtefunctie niet langer dan 3 minuten op dezelfde plek van het lichaam.
- Niet aanbevolen voor gebruik op houten oppervlakken aangezien de rits het hout kan beschadigen. Let op bij gebruik op gestoffeerde meubels.
- Gebruik niet in de auto.
- Als u zich na gebruik niet goed voelt of langere tijd last heeft van uw spieren of gewrichten, stop dan dit apparaat te gebruiken en neem contact op met uw arts. Aanhoudende pijn kan een symptoom van een ernstigere aandoening zijn.
- Gebruik het product niet op beschadigde, gezwollen of geïrriteerde huid, als u last hebt van een huidaandoening.
- Gebruik dit product niet langer dan 15 minuten aan een stuk. Laat het apparaat 15 minuten rusten voor de volgende sessie. Overmatig gebruik kan leiden tot oververhitting en een verkorte levensduur. Als dit gebeurt stop dan het apparaat te gebruiken en laat het afkoelen.
- Het apparaat is voorzien van een oververhittingsbeveiliging. Als de stroom plots wegvalt, laat het apparaat dan afkoelen.
- Gebruik dit apparaat niet als u lijdt aan diabetes, tuberculose, goed- of kwaadaardige tumoren, phlebitis of trombose, of als u last hebt van een slechte doorbloeding. Neem voor gebruik contact op met uw arts als u last hebt van enige schimmelinfectie, zwelling, fractuur of chronische pijn.
- Om te voorkomen dat het klittenband uw kleding beschadigt, kunt u beter geen delicate of gebreide kleding dragen wanneer u het apparaat gebruikt.
- Als u zich slaperig voelt, stop dan met het gebruik van dit product en laat het niet aan staan terwijl u slaapt.
- Zorg dat uw handen droog zijn wanneer u dit apparaat bedient of de stekker uit het stopcontact haalt.
- Ga niet zitten of staan op het massagegedeelte (de achterkant van het apparaat).
- Voordat u de stekker uit het stopcontact haalt, schuift u de regelaar naar de OFF-stand.

## OVERZICHT

### MASSEUR



1. 3D Massageknopen
2. Afstandsbediening met LCD-scherm: Bedien en controleer de massageprogramma's en modi.
3. Houder afstandsbediening: Plaats de afstandsbediening hier wanneer u hem niet gebruikt.
4. Voedingsingang: Aansluiting voor de wisselstroomadapter.
5. Afneembaar kussen.



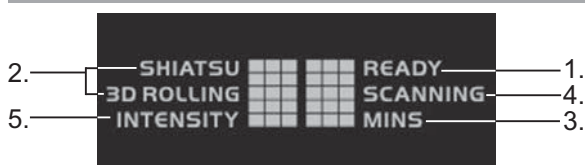
6. Handvat.
7. Stoelriem: Bevestig het apparaat aan de stoel.

## AFSTANDSBEDIENING



1. **POWER:** Apparaat aan-/uitzetten.
2. **SCAN:** Bepaalt de lichaamslengte voor persoonlijke pasvorm.
3. **PROGRAM:** Handmatig het gewenste programma **P1** / **P2** kiezen
4. **3D SHIATSU MODE:** Bedoeld om gespannen spieren te verlichten door de Shiatsu-knoppen op en neer over uw rug te bewegen.
- 5.&6. **SPOT SHIATSU UP ▲ AND DOWN ▼ :** Hiermee kunt u de massage toespitsen op een bepaald deel van het lichaam door de knoppen te bewegen.
7. **3D ROLLING MODE:** De rollende beweging maakt spieren los. Dankzij de 3D-functie volgt het de rondingen van uw rug extra nauwkeurig.
8. **ROLLING WIDTH CONTROL:** In de rolmodus kunt u hierop drukken om de breedte van de knoppen in te stellen. Elke keer dat u drukt, bewegen de knoppen naar de volgende positie.
9. **ROLLING MODE:** De rollers werken langzaam omhoog en omlaag langs de wervelkolom.
10. **FULL BACK:** Volledige rugmassage.
11. **UPPER BACK:** Bovenrugmassage.
12. **LOWER BACK:** Onderrugmassage.
13. **HEAT:** Warmtefunctie aan- / uitzetten.
14. **TIMER:** In te stellen op 15 of 20 minuten.
15. **INTENSITY:** HOGE / LAGE massage-intensiteit.

## LCD-SCHERM



1. **READY:** Stroom aan
2. **SHIATSU / 3D ROLLING / ROLLING:** Massagemodi
3. **MINS:** Timerinstelling en aftelminuten
4. **SCANNING:** Geeft aan dat het scannen

bezig is om de onder- en bovengrens van de massagekoppen in te stellen.

5. **INTENSITY:** Toont **HI** / **LO** (hoge/lage) massage-intensiteit.

## EIGENSCHAPPEN

- 3D massagestoel met verwarming
- Voor een massage als door een echte masseur
- 3D shiatsu (kneed-) en rolmassage
- Sensoren passen massage aan aan lichaam
- Intensiteitsregeling
- 2 paar 3D shiatsu en 3D rolmassagekoppen
- Bediening voor volledige rug, bovenrug, onderrug en punten
- Automatische detectie van lichaamsrondingen en lengte voor een geschikte massage
- Verwarmde massagekoppen met indicatielampje
- Timer van 15 of 20 minuten om de gebruiker te beschermen tegen overgebruik
- 2 intensiteitsniveaus
- Afneembaar kussen
- Twee voorgeprogrammeerde massagestanden
- LCD-scherm toont massagestatus en timer
- Automatische detectie van lichaamsrondingen en lengte voor een geschikte massage
- Verwarmde massagekoppen met indicatielampje
- Eenvoudig te gebruiken afstandsbediening met LCD-scherm

## STARTEN

### WAARSCHUWING

Dit apparaat gereed maken voor gebruik - De 3D massagestoel met verwarming is voorzien van 2 schroeven aan de achterkant van het apparaat om het te beschermen tijdens vervoer. Deze schroeven moet u verwijderen alvorens het product te gebruiken. Gebruik de bijgevoegde sleutel om de schroeven te verwijderen. Wanneer u het apparaat voor de eerste keer gebruikt, hoort u een "pop"-geluid. Dit geeft aan de de veiligheidsblokkering die het massagemechanisme beschermt tijdens vervoer nu ontsloten is. Dit gebeurt alleen wanneer u het apparaat voor het eerst gebruikt.

### AANSLUITEN OP NETSTROOM

1. Sluit de adapter aan op het apparaat.
2. Steek de adapter in het stopcontact.

### AFSTANDSBEDIENING GEBRUIKEN

Gebruik de afstandsbediening om de 3D massagestoel met verwarming te gebruiken. Bewaar de afstandsbediening na gebruik altijd in

de houder.

Druk op de POWER-knop om het apparaat aan te zetten. READY verschijnt op het scherm.

**NB**

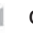
- Trek niet aan de stroomkabel en wikkel hem niet om het apparaat.
- Ga niet zitten op de stroomkabel.

**HET GEBRUIK VAN DE MASSEUR**

1. Kies een massagemodus zodra **READY** op het scherm verschijnt. Het LCD-scherm licht op. Bevestig uw keuze.
2. Om het apparaat uit te zetten, druk u nogmaals op de knop. **READY** gaat knipperen op het LCD-scherm terwijl het massagemechanisme terugkeert naar de aanvankelijke positie, waarna het apparaat uit gaat.
3. Zodra u een massagemodus kiest, begint de massage.

Kies de massagemodus:

**SHIATSU**

- Druk op de **SHIATSU**-knop **S** op het bedieningspaneel.
- Druk de **INTENSITY**-knop  om de gewenste massagesnelheid te kiezen (hoog of laag).
- Shiatsu kan tegelijkertijd met het Warmteprogramma gebruikt worden.

**ROLLING**

- Druk op de **ROLLING**-knop **R** op het bedieningspaneel.
- Druk op de **WIDTH**-knop  om de breedte van de rollers in te stellen (smal, middel, breed).
- Rollen kan tegelijkertijd met het Warmteprogramma gebruikt worden.

**3D ROLLING**

- Druk op de **3D ROLLING**-knop **3D** op de afstandsbediening.
- Rollen kan tegelijkertijd met het Warmteprogramma gebruikt worden.

Gids voor massagemodi en -opties:

Actie	Warmte	Rollbreedte	Omlaag/omhoog	Intensiteit	Standaardtimer
Shiatsu	-	-	-	HOOG/LAAG	15 minuten
Rolling	-	smal, middel of breed	-	-	15 minuten
3D Rolling	-	-	-	-	15 minuten

4. Drie massagezones om uit te kiezen:


- Hele rug
- Bovenrug
- Onderrug

Het LCD-scherm geeft de betreffende informatie weer.

**NB**

- Bij het begin van de Shiatsu-modus werkt het apparaat alleen op de beginpositie; wanneer u een zone kiest, zal het apparaat op de gekozen zone gaan werken in opgaande en neergaande bewegingen.
- Het apparaat gaat automatisch uit na ongeveer 15 of 20 minuten.

**SPOT SHIATSU**

Nadat u de Shiatsu-modus hebt gekozen, druk u op **UP**  / **DOWN**  om de Shiatsu-knoppen naar de juiste plek van uw rug te bewegen. Stel de positie van het mechanisme in door een van de knoppen ingedrukt te houden totdat de gewenste plek bereikt is. Met de **UP**-knop  gaat het mechanisme omhoog en met de **DOWN**-knop  omlaag.

**BREEDTEREGELING**

In de rolmodus kunt u op de **WIDTH**-knop  drukken om de breedte van de massageknopen in te stellen. Elke keer dat u drukt, bewegen de knopen naar de volgende positie (smal, middel of breed).

**NB** De breedteregeling werkt niet in Shiatsu- en 3D Rolling-modus.


**WARMTE MASSAGE**

Om kalmerende warmtefunctie in te schakelen, drukt u op de HEAT-knop en het betreffende gele LED op de massageknopen gaat aan. Druk nogmaals op de knop om uit te schakelen en de betreffende LED gaat uit.

**NB** Voor uw eigen veiligheid kan de warmtefunctie niet ingeschakeld worden als er geen massageprogramma gekozen is.




## TIMER

Druk op de **TIMER**-knop  om een massagetiJD van 15 / 20 minuten te kiezen. Op het scherm zal de timer aftellen.

**NB** Als u geen timer kiest, gaat het apparaat automatisch uit na ongeveer 15 minuten.

## INTENSITEIT

Druk op de **INTENSITY**-knop  om de rotatiesnelheid van de knopen te verhogen of verlagen. Op het scherm verschijnt vijf seconden **HI / LO**, waarna de afteltimer weer verschijnt.

**NB** Deze optie is niet beschikbaar in 3D rolling- en rolling-modus.

## DEMO-modus

Voor een korte demonstratie van de functies van de 3D massagestoel, houd u tegelijkertijd de knoppen **SHIATSU S** en **ROLLING R** 3 seconden ingedrukt. Het apparaat toont kort alle beschikbare functies. De pictogrammen op het LCD-scherm knipperen om de betreffende functie aan te geven. Zodra deze modus voltooid is, gaat het apparaat automatisch uit.

## ONDERHOUD

### BEWAREN

Plaats het apparaat in de doos op op een veilige, droge, koele plek. Houd uit de buurt van scherpe randen of puntige voorwerpen, om beschadiging te voorkomen. Wikkel de stroomkabel niet om het apparaat, om beschadiging te voorkomen. Hang het apparaat niet op aan de stroomkabel of de kabel van de afstandsbediening.

### REINIGEN

Haal de stekker uit het stopcontact en laat het apparaat afkoelen alvorens het apparaat te reinigen. Reinig het apparaat alleen met een zachte, licht vochtige spons. Laat het apparaat niet in contact komen met water of enige andere vloeistof.

- Dompel het niet onder in enige vloeistof.
  - Gebruik nooit krassende schoonmaakmiddelen of borstels, benzine, kerosine, glas- / meubelpoets of verfverdunders om te reinigen.
  - Probeer nooit interne onderdelen te reinigen.
- Probeer de 3D massagestoel met verwarming nooit zelf te repareren. Het bevat geen door de gebruiker te repareren onderdelen.

## AANBEVOLEN MASSAGETIJD

Over het algemeen kan een rugmassage tot 20 minuten duren. Dit product heeft 2 timerinstellingen: 15 en 20 minuten; zo kunt u naar eigen voorkeur en inzicht de duur van de massage instellen. U kunt het apparaat één of twee maal daags gebruiken.

Als u twijfels of vragen hebt, neem dan altijd contact op met uw arts.

## SPECIFICATIES

TYPE	BESCHRIJVING
<b>HET APPARAAT</b>	
L x B x H	780mm(L)x400mm(B)x 90mm(H) (30,7in x 15,7in x 3,54in)
Gewicht	1.200g (42,33 oz)
Voeding	12V adapter: INVOER 110-240V 50/60Hz

## OVER OREGON SCIENTIFIC

Bezoek onze website ([www.oregonscientific.com](http://www.oregonscientific.com)) om meer te weten over uw nieuwe roduct en andere Oregon Scientific producten zoals digitale fototoestellen, gezondheids- en fitnessuitrusting en weerstations. Op deze website vindt u tevens de informatie over onze klantendienst, voor het geval u ons wenst te contacteren.

## EU CONFORMITEITS VERKLARING

Hierbij verklaart Oregon Scientific dat 3D massagestoel met verwarming (Model: WS912) in overeenstemming is met EMC richtlijn 89/336/CE. Een kopie van de getekende en gedateerde Conformiteits verklaring is op verzoek beschikbaar via onze Oregon Scientific klanten service.









# 3D Massagesits med värme

Modell: WS912

## ANVÄNDARMANUAL

### INNEHÅLL

Introduktion .....	1
Viktiga säkerhetsinstruktioner .....	1
Försiktighetsåtgärder .....	1
Översikt	
Massage .....	2
Kontrollpanel .....	3
LCD-display .....	3
Funktioner .....	3
Kom igång	
Anslut till ström .....	3
Hantera fjärrkontrollen .....	3
Använd massagesitsen .....	4
Punktmassage .....	4
Breddkontroll .....	4
Värmemassage .....	4
Timer .....	4
Intensitet .....	4
Demoläge .....	5
Underhåll	
Förvaring .....	5
Rengöring .....	5
Rekommenderad massagetid .....	5
Specifikationer .....	5
Om Oregon Scientific .....	5
EU-konformitetsdeklaration .....	5

## INTRODUKTION

Tack så mycket för att du köpt "WS912 3D Massagesits med värme". Den här manualen innehåller användbar information om korrekt användning och underhåll av produkten. För att kunna utnyttja dess funktioner, läs den här manualen noggrant innan du använder produkten första gången. Spara manualen för framtida referenser.

## VIKTIGA SÄKERHETSINSTRUKTIONER

UNDER ANVÄNDNING AV EN ELEKTRISK PRODUKT, SÄRSKILT OM BARN FINNS NÄRVARANDE, SKA GRUNDLÄGGANDE SÄKERHET ALLTID TAGAS I BEAKTANDE, INKLUDERAT FÖLJANDE INSTRUKTIONER:

Läs alla instruktioner innan du börjar använda produkten.

**FARA** För att minska risken för elektriska stötar:

- Lossa enheten från eluttaget omedelbart efter användning och under rengöring.
- Om enheten tappas i vatten, ta inte upp den eller vidrör den. Stäng av produkten och lossa den från eluttaget. Använd inte produkten om den är våt.
- Använd inte produkten under bad eller dusch. Håll den alltid torr. Förvara produkten på torr och säker plats. Undvik risken att tappa den i handfat eller badkar. Doppa den inte i vatten.
- Stick inte in nålar eller andra metalldelar i enheten.
- Håll den torr – Använd den inte i våta eller fuktiga miljöer.
- Sitt eller stå inte på massageenheten (den bakre delen av enheten).
- För att minska risken för brännskador, brand, elektriska stötar, eller andra personskador:
- Förvaras oåtkomligt för barn.
- Lämna inte en elansluten produkt oövervakad. Lossa alltid kontakten i vägguttagen när produkten inte används, eller när delar tas bort eller ansluts.
- Produkten är inte avsedd att användas av personer med förståndshandikapp eller av personer som inte har tillräcklig kunskap om produkten.
- Använd inte produkten om du har dålig blodcirkulation. Rådgör först med en läkare.
- Täck inte över produkten eller använd den under en filt. Om produkten täcks över under användning kan detta orsaka brand, elöverslag eller personskador.
- Sluta omedelbart att använda produkten om du känner dig dåsig. Använd den inte när du sover.
- Använd aldrig produkten om den är skadad, våt, utsatts för yttre våld eller inte fungerar normalt. Vid frågor, kontakta vår hjälplinje.

- Håll strömkabeln avskild från värmekällor.
- Lyft aldrig produkten i strömkabeln och använd aldrig kabeln som handtag.
- Placera aldrig några objekt i produktens öppningar.
- Använd aldrig produkten om aerosol-enheter (spray) används, eller där syre hanteras.
- Innan produkten lossas från vägguttaget ska den stängas av med knappen on / off på fjärrkontrollen.
- Ställ inga tunga objekt på enheten. Undvik risken för att den krossas.
- Den här produkten är avsedd enbart för inomhusbruk.
- Den här produkten är inte avsedd för professionell användning.
- Använd produkten enbart för de användningsområden som beskrivs i den här manualen. Använd aldrig tillbehör som inte godkänts av Oregon Scientific.
- För inte in några främmande objekt i apparaten.
- Spara användarmanualen för framtida referenser.

## FÖRSIKTIGHETSÅTGÄRDER

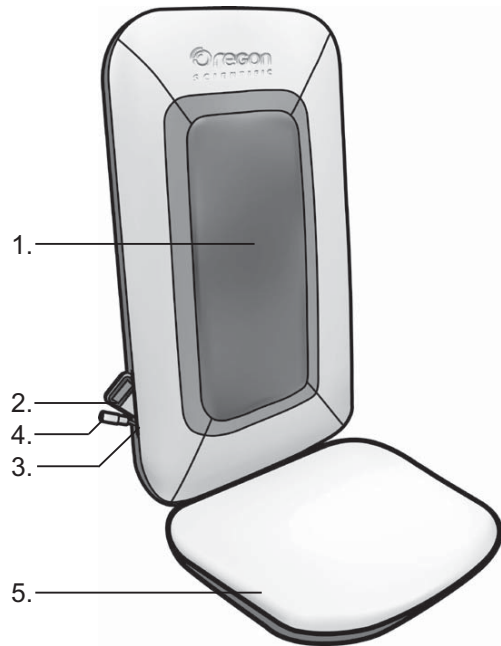
Läs alla instruktioner noggrant innan produkten används.

- Den här enheten är inte avsedd för medicinskt bruk eller som substitut för medicinsk behandling. Den ska enbart användas för att ge skön massage.
- Individer som är gravida, utrustade med pacemaker, lider av diabetes, flebitis och/eller trombos, eller som har ökad risk för blodproppar efter nyligen genomförd operation eller är sängliggande sedan länge, bör kontakta läkare innan produkten används.
- Rekommenderas ej för diabetiker.
- Den här produkten bör inte användas av personer med nedsatt rörelsefunktion som begränsar användaren möjlighet att använda produktens kontroller eller som lider av känselbortfall i nedre delen av kroppen.
- Lämna aldrig produkten utan uppsikt när barn finns närvarande.
- Produkten är inte lämplig att användas av barn. Hålls oåtkomlig för barn.
- Täck inte över produkten med något när den används.
- Blockera inte eller utsätt produkten för tryck mot kroppen.
- Använd inte produkten under längre tid än 15 minuter i taget. Längre användning kan överheta produkten. Om detta inträffar, sluta använda produkten och vänta tills den kylts ner innan den används igen.
- Använd inte produkten direkt på öppna sår, svullen eller inflammerad hud eller på skadad hud.

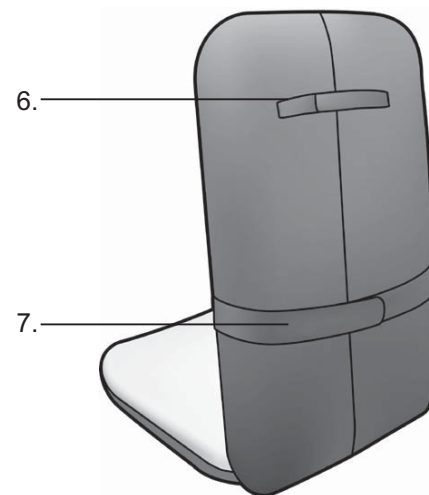
- Använd inte produkten direkt före sänggående. Massagen stimulerar kroppen vilket kan resultera i att det blir svårt att somna.
- Använd inte produkten i sängen.
- Använd inte punktmassagen med värmefunktion på samma punkt på kroppen under längre tid än 3 minuter.
- Rekommenderas ej för användning på trätor då dragkedjan kan skada träet. Var särskilt försiktig om du placerar produkten på stoppade möbler.
- Använd inte produkten i bilen.
- Om du mår dåligt eller upplever smärta i muskler eller leder under lång tid, sluta använda produkten och kontakta en läkare. Bestående smärta kan vara symptom på mer allvarlig skada.
- Använd inte produkten på skadad, svullen, inflammerad hud, eller när du har en hudsjukdom, sår eller åderbrock.
- Använd inte enheten under mer än 15 minuter. Vila därefter i minst 15 minuter innan nästa session. Längre tids användning kan leda till att apparaten överhettas och därmed minskas dess livslängd. Uppstår överhettning, sluta använd apparaten och låt den kylas av innan den används igen.
- Den här produkten är utrustad med överhettningsskydd. Om strömmen till apparaten bryts, vänta tills apparaten har kylts ner.
- Använd inte apparaten om du har diabetes, tuberkulos, benign eller malign tumör, åderbrock eller blodpropp och dålig blodcirkulation. Konsultera alltid läkare innan produkten används om du har infektion, svullen fraktur eller kronisk värk.
- För att undvika skador på kläder på grund av kardborrbanden, använd inte ömtåliga tyger eller stickade plagg när du använder apparaten.
- Om du känner dig dåsig, sluta omedelbart att använda apparaten och använd den inte heller när du sover.
- Se till att dina händer är torra när du använder kontrollerna eller drar ut kontakten.
- Stå eller sitt inte på massageenheten (den bakre delen av enheten).
- Innan du drar ut kontakten från vägguttaget, stäng av apparaten genom att flytta kontrollen till OFF-läget.

## ÖVERSIKT

### MASSAGE



1. 3D-massagepunkter
2. Fjärrkontroll med LCD-display: Kontrollera och övervaka massageprogram och lägen.
3. Fjärrkontrollhållare: Placera fjärrkontrollen i denna när den inte används.
4. DC-kontakt: Kontakt för anslutning till AC / DC-adapter.
5. Avtagbar sits.



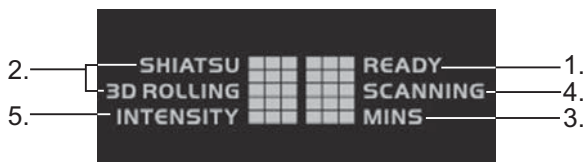
6. Handtag.
7. Stolbälte: Sätt fast enheten på en stol.

## FJÄRRKONTROLL



1. **POWER:** Starta / stäng av enheten.
2. **SCAN:** Läser av kroppslängden för personlig anpassning.
3. **PROGRAM:** Välj manuellt program **P1 / P2**
4. **3D-PUNKTMASSAGELÄGE:** Hjälper till att släppa muskelspänning genom att flytta massagepunkterna upp och ner på ryggen.
- 5.&6. **PUNKTMASSAGE UPP ▲ OCH NER ▼ :** Låter dig rikta massagen mot ett specifikt område genom att flytta massagepunkterna upp och ner.
7. **3D RULLÄGE:** Rullande rörelser hjälper till att slappna av musklerna. Med 3D-funktionen följs kurvorna på din rygg så nära som möjligt.
8. **RULLANDE BREDDKONTROLL:** I rulläge trycker du för att justera bredden på enhetens punkter. Vid varje tryck flyttas punkterna till nästa tillgängliga position.
9. **RULLÄGE:** Punkterna arbetar sakta upp och ner längs din ryggrad
10. **HEL RYGG:** Helryggsmassage.
11. **ÖVRE RYGG:** Masserar övre delen av ryggen.
12. **NEDRE RYGG:** Masserar nedre delen av ryggen.
13. **VÄRME:** Starta / stäng av värmen.
14. **TIMER:** 15 eller 20 minuters timer.
15. **INTENSITET:** HÖG / LÅG massageintensitet.

### LCD-display



1. **READY:** Apparaten är på
2. **SHIATSU / 3D ROLLING / ROLLING:** Massagelagen
3. **MINS:** Timerinställning och nedräkning  
**SCANNING:** Indikerar att avläsningen sker för att ställa in massagehuvudena för övre och nedre del.
5. **INTENSITET:** Visar HÖG / LÅG massageintensitet.

## FUNKTIONER

- 3D-massagesits med värme
- Massage som påminner om terapeutens händer
- 3D shiatsu- och rullmassage
- Sensorer justerar massagen efter din kroppslängd
- Styркеkontroll
- 2 par 3D shiatsu och rullande 3D-massagehuvuden
- Kontroll för hela ryggen, övre ryggen, nedre ryggen och punktmassage
- Automatisk avkänning av kroppskurvor och längd för rätt massageläge
- Uppvärmade massagehuvuden med ljusindikator
- 15 eller 20 minuters timer för skydd mot överanvändning
- 2 nivåer av intensitet
- Avtagbar sittkudde
- Två förprogrammerade massagelagen
- LCD-display som visar massagestatus och timer
- Automatisk avkänning av kroppskurvor och längd för rätt massageläge
- Uppvärmade massagehuvuden med ljusindikator
- Lättanvänd fjärrkontroll med LCD-skärm

## KOM IGÅNG

### VARNING

Förbered enheten första gången den ska användas -

3D-massagesitsen levereras med 2 skruvar på baksidan av enheten för att skydda massagesystemet under transport. Dessa skruvar måste lossas innan produkten används första gången för att produkten ska fungera korrekt. Använd den medföljande nyckeln för att lossa skruvarna korrekt.

När produkten används första gången hörs ett "plopp"-ljud. Detta indikerar att säkerhetslåset för att skydda massagemekanismen under transport nu är upplåst. Detta sker enbart när produkten används första gången.

### STRÖMANSLUTNING

1. Anslut DC-kontakten till adaptorn.
2. Anslut adaptorn till vägguttaget.

### HANTERA FJÄRRKONTROLLEN

Använd fjärrkontrollen för att styra 3D-massagesitsen.

Förvara alltid fjärrkontrollen i den avsedda hållaren efter användning.

Tryck på **POWER**-knappen för att starta enheten. **READY** visas på skärmen.

**NOTERA**

- Dra inte i strömkabeln eller rulla den runt enheten.
- Sitt inte på strömkabeln.


**ANVÄND MASSAGESITSEN**

1. Välj ett massageläge när **READY** visas på skärmen. LCD-skärmen lyser och bekräftar ditt val.
2. För att stänga av massagefunktionen trycker du på knappen igen. På LCD-skärmen blinkar **READY** medan massagemekanismen återgår till startpunkten och stängs sedan av.

**NOTERA** Massagemekanismen återgår alltid till ursprungsläget när massageprogrammet är slut och när enheten stängs av på kontrollpanelen. Vid strömavbrott, när massagesitsen startas igen, återgår mekanismen till ursprungsläget innan en ny massage påbörjas. På LCD-skärmen blinkar **READY** medan massagepunkterna återgår. Apparaten stängs av när massagen är slutförd. Tryck på **POWER P** igen för att påbörja ny massage.

3. När massageläget valts påbörjas massagen. För att välja massageläge:

**PUNKTMASSAGE**

- Tryck på knappen **SHIATSU S** på fjärrkontrollen.
- Tryck på knappen **INTENSITY**  för att välja massagehastighet (Hög eller låg hastighet).
- Punktmassagen kan väljas tillsammans med Värme-programmet.

**RULLÄGE**

- Tryck på knappen **ROLLING R** på kontrollpanelen.
- Tryck på knappen **WIDTH**  för att justera bredden på punktmassagen (Smal, Medium eller Bred).
- Rullande massage kan väljas tillsammans med Värme-programmet.

**3D-RULLÄGE**

- Tryck på knappen **3D ROLLING 3D** på fjärrkontrollen.
- Rulläge kan aktiveras tillsammans med Värme-programmet.

Guide till massagelägen och alternativ:

Program	Värme	Rullande bredd	Upp/ner	Intensitet	Standardtimer
Punktmassage	-	-	-	HÖG/LÅG	15 minuter
Rulläge	-	Smal, medium, eller bred	-	-	15 minuter
3D Rulläge	-	-	-	-	15 minuter

4. Tre massagezoner finns:

- Helrygg
- Övre rygg
- Nedre rygg

LCD-skärmen visar informationen i enlighet med.


**NOTERA**

- När punktläget startar arbetar enheten endast med originalpunkten; när en massagezon väljs arbetar enheten på den valda zonen med upp- och nedgående rörelser.
- Enheten stängs automatiskt av efter ca 15 eller 20 minuter.

**PUNKTMASSAGE**

Efter valt punktmassageläge, tryck antingen på knappen **UPP**  / **NER**  för att välja punktmassagen på ett punkt på din rygg. Justera mekanismens position genom att trycka på någon av knapparna tills nästa önskad position har hittats. **UPP-knappen**  flyttar mekanismen uppåt och **NER-knappen**  flyttar den nedåt.

**BREDDKONTROLL**

När du valt rulläge, tryck på **WIDTH-knappen**  för att justera bredden på massagepunkterna. Varje tryck flyttar punkterna till nästa tillgängliga position (Smal, Medium eller Bred).


**NOTERA** Breddkontrollen fungerar inte med Punktmassage eller 3D-rullning.

**VÄRMEMASSAGE**

För att aktivera värmen, tryck på **VÄRME-knappen** och motsvarande lampa på LED-skärmen lyser. Tryck på knappen igen för att inaktivera värmen och LED-lampan.


**NOTERA** För din säkerhet kan inte värmefunktionen aktiveras om inget program är aktiverat.

**TIMER**

Tryck på **TIMER-knappen**  för att välja 15 / 20 minuters massagetid. Skärmen visar nedräkningen av återstående tid.

**NOTERA** Om ingen timerinställning har valts stängs enheten automatiskt av efter ca 15 minuter.

**INTENSITET**

Tryck på **INTENSITET-knappen**  för att öka eller minska rotationshastigheten på massagepunkterna. Displayen visar **HÖG** / **LÅG** under 5 sekunder och sedan återgår den till timernedräkningen.



**NOTERA** Detta kan inte väljas för 3D-rulläge och rullläge.

## DEMO-läge

För en snabb demonstration av funktionerna, tryck och håll nere knapparna SHIATSU **S** och RULL-knapparna **R** samtidigt i 3 sekunder. Enheten går snabbt igenom alla tillgängliga funktioner. Ikoner på LCD-displayen blinkar för att indikera motsvarande funktion. När demonstrationen är slutförd stängs enheten automatiskt av.

## UNDERHÅLL

### FÖRVARING

Placera enheten i dess låda på en säker, torr och sval plats. Undvik att vassa kanter eller objekt kommer i kontakt med produktytan för att undvika att produktens yta punkteras eller går sönder. För att undvika skador på produkten, rulla inte strömkabeln runt enheten. Häng inte upp enheten i strömkabeln eller fjärrkontrollens kabel.

### RENGÖRING

Lossa enheten från eluttaget och låt den kylas ner innan rengöring. Rengör endast enheten med en mjuk, lätt fuktad svamp. Låt aldrig vatten eller andra vätskor komma i direktkontakt med enheten.

- Doppa inte enheten i vätska.
- Använd aldrig slipande rengöringsmedel, borstar, bensen, fotogen, glas- / möbelpolish eller färgtinner för rengöring.
- Ta inte bort eller öppna skyddet för att rengöra interna delar.

Försök inte att reparera produkten. Inga tillgängliga reservdelar finns tillgängliga.

## REKOMMENDERAD MASAGETID

Ryggmassage tar ca 20 minuter. Den här produkten har 2 timerinställningar: 15 och 20 minuter som låter dig välja lämplig tid beroende på dina behov och din personliga komfort. Du kan välja att använda den en eller två gånger per dag. Om du har några funderingar eller frågor, kontakta din läkare.

## SPECIFIKATIONER

TYP	BESKRIVNING
<b>HUVUDENHET</b>	
L x B x H	780mm(L)x400mm(B)x 90mm(H) (30.7in x 15.7in x 3.54in)
Vikt	1 200 g (42.33 oz)
Drift	12V DC-adapter: IN 110-240V 50/60Hz

## OM OREGON SCIENTIFIC

Besök vår hemsida ([www.oregonscientific.se](http://www.oregonscientific.se)) för att se mer av våra produkter såsom digitalkameror; MP3 spelare; projektionsklockor; hälsoprodukter; väderstationer; DECT-telefoner och konferenstelefoner. Hemsidan innehåller också information för våra kunder i de fall ni behöver ta kontakt med oss eller behöver ladda ner information. Vi hoppas du hittar all information du behöver på vår hemsida och om du vill komma i kontakt med Oregon Scientific kundkontakt besöker du vår lokala hemsida [www.oregonscientific.se](http://www.oregonscientific.se) eller [www.oregonscientific.com](http://www.oregonscientific.com) för att finna telefonnummer till respektive supportavdelning.

## EU-FÖRSÄKRAN OM ÖVERENSSTÄMMELSE

Oregon Scientific intygar härmed att 3D Massagesits med värme (Modell: WS912) överensstämmer med EMC direktivet 89/336/CE. En signerad kopia av "DECLARATION OF CONFORMITY" kan erhållas vid hänvändelse till OREGON SCIENTIFIC servicecenter.









# 3D溫熱按摩座椅

機型：WS912

用戶手冊

## 目錄

簡介 .....	1
重要安全說明 .....	1
注意事項 .....	1
概要	
按摩器 .....	2
控制面板 .....	2
液晶體顯示 .....	2
特色 .....	3
開始操作	
連接電源 .....	3
處理遙控器 .....	3
使用按摩器 .....	3
定點指壓 .....	3
寬度控制 .....	3
溫熱按摩 .....	3
時間計 .....	3
強度 .....	4
示範模式 .....	4
維護保養	
儲存 .....	4
清潔 .....	4
建議按摩時間 .....	4
規格 .....	4
關於Oregon Scientific .....	4
EC-聯合性聲明 .....	4

## 簡介

非常感謝您購買「WS912 3D溫熱按摩座椅」。本手冊內含適當使用和保養產品的相關資訊。為發揮產品功能的最佳效果，請在首次使用前閱讀本手冊，並妥善保存，供將來參考之用。

## 重要安全說明

使用電子產品時請經常遵循下列基本注意事項，其中包括下列使用說明。特別是兒童亦於產品放置現場時，更應謹慎使用產品：  
使用此等機體前請閱讀所有使用說明。

### 危險

欲降低觸電風險：使用產品後和清潔產品前，都必需立即拔下機體的電源插頭。

- 若產品不慎掉入水中，不得撿起或碰觸它。立即關閉所有主要電源並拔下插頭。機體沾濕時，不得操作。
- 不得在沐浴或淋浴時使用產品。經常保持機體乾燥。將機體存放在乾燥且安全之處。隨時避免機體掉落水槽和浴缸的風險。不得將之浸泡於水中。
- 不得在機體上繫上別針或金屬扣。
- 保持機體乾爽 - 不得在有濕氣或潮濕的情況下操作產品。
- 不得坐或站在按摩機體上(也就是機體的背面)。
- 欲降低對燒傷、火災、觸電或對人體造成傷害：
- 將產品存放於兒童無法接觸之處。
- 隨時注意插頭。不使用產品、安裝或拆除零件前都必需拔除插頭。
- 機體設計未企圖供殘障人士或缺乏使用知識者使用。
- 若血液循環不良，請勿使用產品。若有疑慮，請諮詢醫生。
- 不得蓋住機體，或將之放在毛毯下使用。蓋住產品後使用可能導致機體過熱，進而引起火災、觸電或人體受傷。
- 感覺暈倦時請停止使用機體。睡眠時不應使用機體。
- 機體有損壞、潮濕、經改裝、經強行拆開或無法正常運作時，停止使用機體。若有疑慮，請致電我們的服務中心。
- 電線放置之處，必需遠離熱源。
- 不得拉扯電線以提起機體，或使用電線為手把。
- 不得將任何物件掉落或放入機體之任何開口中。
- 使用噴霧器或人體需要供給氧氣時不得使用機體。
- 拔除插頭前，按遙控器的開/關按鈕，關閉機體電源。
- 不得將重物放在機體上。避免機體被壓碎的風險。
- 本機體僅供室內使用。
- 本機體之設計僅供非專業使用。
- 本機體僅供本手冊之說明用途。不得使用未經 Oregon Scientific 推薦之附件。
- 不得將任何物件掉落或放入機體中。
- 保存本用戶手冊供未來參考之用。

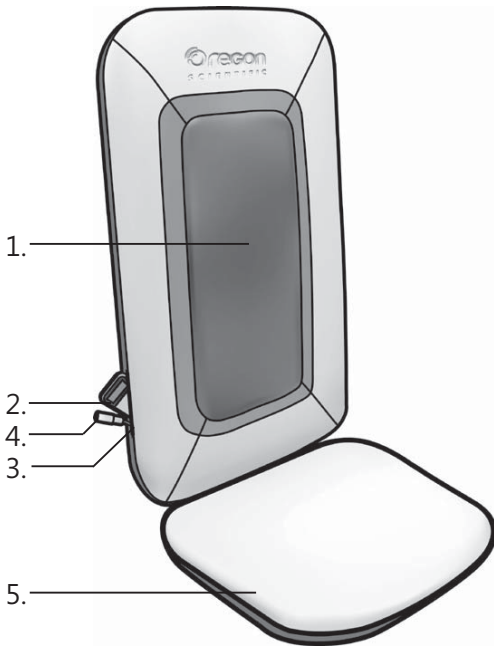
## 注意事項

操作機體前請仔細閱讀所有說明。

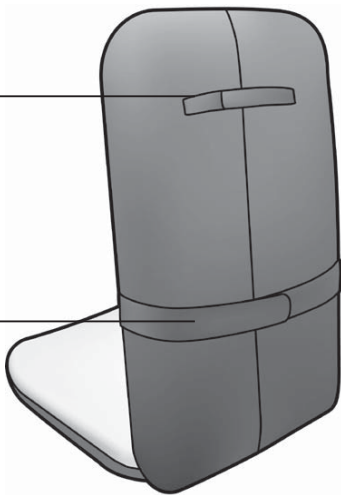
- 本機體未企圖供醫療使用或取代任何醫療護理。它僅供舒適按摩之用。
- 懷孕婦女、安裝人工心律調節器、糖尿病、靜脈炎及/或血栓症病患、最近曾接受手術而導致有血液凝結高風險者或長期臥病者，都應在使用機體前諮詢醫生。
- 不建議供糖尿病患者使用。
- 本機體不應供任何因病而無法操作控制鍵之任何個人，或下肢知覺缺陷者使用。
- 兒童在場時應隨時注意機體。
- 本機體不適合兒童使用。將產品存放於兒童無法接觸之處。
- 機體操作時不得以任何物件蓋住機體。
- 不得將任何物件或將閣下身體任何部位阻擋或放每次不得使用機體超過15分鐘。過度使用可能導致機體過熱。若發生此問題，停止使用機體，並在下次使用前等待機體冷卻。
- 不得在未經處理的傷口、紅腫或發炎肌膚上直接使用機體。
- 不得在睡前使用本機體。按摩器具刺激作用，可能會延後閣下的睡眠時間。
- 不得在床上使用本機體。
- 不得在單點使用附溫熱功能的定點指壓超過3分鐘。
- 不建議在木質表面上使用本機體，因為機體的拉鏈可能會損壞木頭。在軟墊傢具上使用機體時請特別小心。
- 不得在汽車內使用機體。
- 使用按摩器後若感覺不適，或長期肌肉或關節疼痛，請暫停使用機器並諮詢醫生。持久的疼痛可能是較嚴重病情的徵兆。
- 不得在長紅疹、紅腫或發炎肌膚週圍或患有皮膚病、褥瘡或靜脈曲張時使用產品。
- 一次不得使用本機體超過15分鐘。進行下一節按摩前請先休息15分鐘。過度使用機體將導致機身過熱，縮短使用壽命。萬一機身過熱，請暫停使用，待機體冷卻後再操作。
- 機體配備過熱保護電路，若切斷電源，請等待機體冷卻。
- 若閣下患有糖尿病、結核病、良性或惡性腫瘤、靜脈炎和血栓症，或血液循環不良，請勿使用產品。若閣下患有任何類型的黴菌感染、腫脹、骨折或持續疼痛，使用產品前請諮詢醫生。
- 欲避免尼龍搭扣帶損傷閣下的衣物，使用產品時避免穿著精緻布料或針織衣服。
- 若感覺疲倦，停止使用機體。不得在睡眠期間仍運作產品。
- 操作控制器或拔下插頭時，確保雙手乾爽。
- 不得坐或站在按摩機體上(即機體的背面)。
- 拔下插頭前，請將控制器滑動至關閉位置，確保已關閉機體。

概要

按摩器



1. 3D按摩節點
2. 附液晶顯示屏的遙控器：控制和監督按摩程式和模式。
3. 遙控器放置架：未使用遙控器時，請把它放在放置架內。
4. DC插孔：連接AC / DC電源變壓器的插槽。
5. 可拆式座椅。



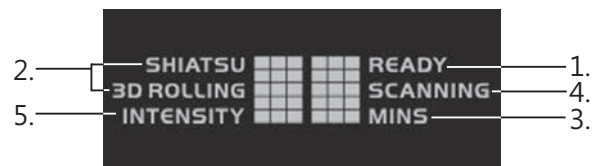
6. 把手。
7. 椅子繫帶：將機體繫在椅子上。

遙控器



1. 電源：開啟/關閉機體。
2. 掃描：掃描用戶的體重，讓機體適用於個別人士。
3. 程式：手動選擇偏好程式 P1/P2
4. 3D指壓模式：透過在閣下背部上下移動指壓節點，幫助閣下放鬆緊繃的肌肉。
- 5.&6. 上▲下▼定點指壓：上下移動按摩節點，以按摩特定區域。
7. 3D滾動模式：滾動動作旨在放鬆肌肉。3D功能可密切貼近閣下的背部曲線。
8. 滾動寬度控制：在滾動模式下，按下按鈕以調整機體節點的寬度。每次按下按鈕時，按摩節點將移往下一個適用的位置。
9. 滾動模式：滾動器將沿著閣下的脊椎慢慢上下移動。
10. 全背：全背按摩。
11. 上背：上背部按摩。
12. 下背：下背部按摩。
13. 熱度：開啟 / 關閉舒緩熱度。
14. 時間計：可選擇15或20分鐘。
15. 強度：高 / 低按摩強度。

液晶顯示



1. 準備就緒：電源開啟
2. 指壓 / 3D滾動 / 滾動：按摩功能模式
3. 分：設定時間計和分鐘倒數
4. 掃描中：說明正在掃描，以設定按摩頭的上下範圍。
5. 強度：顯示高 / 低按摩強度。

## 開始操作

### 警告

首次使用機體時，請遵循下列步驟：

3D溫熱按摩座椅在機體後方有兩顆螺絲，以便在運送過程中保護按摩系統。首次使用前請拆除螺絲，機體方能正常運作。請使用產品隨附的六角螺絲小扳手，並妥善丟棄螺絲。首次使用機體時，您將聽到「撲」的一聲。聲音表示已開啟運送途中保護按摩機械的安全鎖。聲音只會在首次使用時發出。

### 連接主電源

1. 將DC插孔連接至電源變壓器。
2. 將電源變壓器連接至主要電源

### 處理遙控器

取出遙控器，以操作3D溫熱按摩座椅。  
使用遙控器後請記得將之放回原來的放置架內。  
按電源按鈕開啟機體。準備就緒將顯示在畫面上。

#### 註

- 不得拉扯電線，或將之纏繞著機體。
- 不得坐在電線上。

### 使用按摩器

1. 畫面顯示準備就緒時，選擇按摩模式。液晶體畫面將亮起並確認閣下的選擇。
2. 欲關閉按摩功能，再次按下按鈕即可。液晶體畫面上，準備就緒將閃爍，同時按摩機械將返回原來的位置，接著就會關閉。


#### 註

按摩流程結束及在控制面板上關閉機體時，按摩機械將返回起點。若電源受干擾，恢復電源後，機械將重返原來位置後才展開新的按摩流程。正在重返按摩節點時，液晶體畫面上將閃爍準備就緒的燈號 **READY**。完成按摩後，機體將自動關閉電源。再次按**電源 P**，展開新的按摩流程。


3. 選擇按摩模式後將開始按摩。

欲選擇按摩模式：

#### 指壓

- 按控制面板上的**指壓 S** 按鈕。
- 按**強度**按鈕 ，選擇閣下偏好的按摩速度(高或低速)。
- 指壓功能可和熱度程式同步啟動。

#### 滾動

- 按控制面板上的**滾動**按鈕 **R**。
- 按**寬度**按鈕 ，調整滾動器的寬度(窄、一般或寬)。
- 滾動功能可和熱度程式同步啟動。

#### 3D滾動

- 按遙控器上的**3D滾動 3D**。
- 滾動功能可和熱度程式同步啟動。

按摩模式和選項指南：

動作	熱度	滾動器寬度	向上/向下	強度	預設時間計
指壓	-	-	-	高/低	15分鐘
滾動	-	窄、一般或闊	-	-	15分鐘
3D滾動	-	-	-	-	15分鐘

4. 機體提供3個按摩區，供閣下選擇：

- 全背
- 上背部
- 下背部

液晶體螢幕將顯示相關資訊。

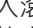
#### 註

- 指壓模式開始時，機體只會在原來位置運作。選擇按摩區後，機體將在所選區域上下運作。
- 機體約在15或20分鐘左右自動停止。

## 定點指壓

選擇指壓模式後，按上▲/下▼按鈕，選擇在背部某一點上進行指壓。按住兩個按鈕之一，調整機械位置，直到機械到達下一個偏好位置。向上按鈕，將把機械移至上方，而向下按鈕則將機械移至下方。

## 寬度控制

進入滾動模式後，按**寬度**  按鈕，調整按摩節點間的寬度。每次按下時，按摩節點將移往下一個適用的位置(窄、一般、闊)。

#### 註

指壓和3D滾動不適用寬度控制。


## 溫熱按摩器

欲啟動舒緩熱度，只要按下熱度按鈕，對應的按摩節點的紅色液晶體燈將會亮起。再次按按鈕，取消選擇，對應的液晶體燈將會關閉。

#### 註

為閣下安全起見，若未進行任何按摩程式，機體將無法開啟舒緩熱度。

## 時間計

按**時間計**  按鈕，選擇**15 / 20**分鐘按摩時間。畫面將顯示時間計的倒數計時。

#### 註

若未選擇時間計設定，則機體約在15分鐘左右自動關閉。

## 強度

按**強度** ◀ 按鈕，降低或增加機體節點的轉速。顯示畫面將顯示**高 / 低**5秒，然後返回時間計的倒數功能。

### 註

3D滾動和滾動不適用此選項。

## 示範模式

欲簡短體驗3D按摩座椅的功能，按住**指壓 S** 和**滾動 R** 按鈕3秒鐘。機體將簡短操作所有適用功能。進行特定功能時，液晶體顯示將閃爍對應的圖標。完成後，機體將自動關閉。

## 保養

### 儲存

將機體放在包裝盒內，或存放在安全、乾爽之處。不得使之接觸尖銳的邊緣或物件，避免其布料表面遭割損或刺破。欲避免機體破損，不得將電線纏繞在機體上。不得利用電線或遙控器的電線吊掛機體。

### 清潔

拔下機體，等待其冷卻後再清潔。只可使用稍為沾濕的柔軟海綿清潔機體。不得使機體接觸水份或任何其他液體。

- 請勿將整座機體浸泡在任何液體內。
- 不得使用磨損性清潔劑、刷子、汽油、煤油、玻璃/傢俱亮光劑或油漆稀釋劑清潔機體。
- 不得拆除或打開機體蓋的拉鏈，清潔內部零件。不得企圖修理3D溫熱按摩座椅。機體內部未配備任何用戶可維修的零件。

## 建議按摩時間

一般而言，最多可按摩背部20分鐘。本機體設定兩段式時間計：閣下可按個人需求和舒適度，選擇設定15或20分鐘的按摩時間。閣下每天可按需要，選擇使用機體一次或兩次。若有問題或疑慮，請諮詢醫生。

## 規格

種類	說明
<b>主機體</b>	
長 x 闊 x 高	780毫米(長)x400毫米(闊)x 90毫米(高) (30.7吋x 15.7吋 x 3.54吋)
重量	1200克(42.33安士)
電源	12V DC變壓器： 輸入 110-240V 50/60Hz

## 關於 OREGON SCIENTIFIC

如要獲取更多 Oregon Scientific 產品如數碼相機、MP3播放機、兒童電子學習產品、投影時間顯示器、健康和健體產品、天氣預報儀和會議電話的資料，請瀏覽我們的網址([www.oregonscientific.com](http://www.oregonscientific.com))。

Oregon Scientific 的網址亦包括與我們客戶服務部的聯絡方法、常見問題和客戶下載資料。我們希望您能在 Oregon Scientific 的網址找到需要的資料，如您想直接與客戶服務部聯絡，請瀏覽我們的網址[www.oregonscientific.com/service/default.asp](http://www.oregonscientific.com/service/default.asp)或致電在美國的電話1-800-853-8883。

若屬於國際性查詢，請瀏覽我們的網址([www2.oregonscientific.com/about/international.asp](http://www2.oregonscientific.com/about/international.asp))。





# 3D温热按摩座椅

机型：WS912

用户手册

## 目录

简介 .....	1
重要安全说明 .....	1
注意事项 .....	1
概要	
按摩器 .....	2
控制面板 .....	2
液晶体显示 .....	2
特色 .....	3
开始操作	
连接电源 .....	3
处理遥控器 .....	3
使用按摩器 .....	3
定点指压 .....	3
宽度控制 .....	3
温热按摩 .....	3
强度 .....	3
时间计 .....	3
示範模式 .....	4
维护保养	
储存 .....	4
清洁 .....	4
建议按摩时间 .....	4
规格 .....	4
关于Oregon Scientific .....	4
EC-联合性声明 .....	4

## 简介

非常感谢您购买「WS912 3D温热按摩座椅」。本手册内含适当使用和保养产品的相关资讯。为发挥产品功能的最佳效果，请在首次使用前阅读本手册，并妥善保存，供将来参考之用。

## 重要安全说明

使用电子产品时请经常遵循下列基本注意事项，其中包括下列使用说明。特别是儿童亦於产品放置现场时，更应谨慎使用产品；使用此等机体前请阅读所有使用说明。

### 危险

欲降低触电风险：使用产品後和清洁产品前，都必需立即拔下机体的电源插头。

- 若产品不慎掉入水中，不得捡起或碰触它。立即关闭所有主要电源并拔下插头。机体沾湿时，不得操作。
- 不得在沐浴或淋浴时使用产品。经常保持机体乾燥。将机体存放在乾燥且安全之处。随时避免机体掉落水槽和浴缸的风险。不得将之浸泡於水中。
- 不得在机体上繫上别针或金属扣。
- 保持机体乾燥 - 不得在有湿气或潮湿的情况下操作产品。
- 不得坐或站在按摩机体上(也就是机体的背面)。
- 欲降低对烧伤、火灾、触电或对人体造成伤害：
- 将产品存放於儿童无法接触之处。
- 随时注意插头。不使用产品、安装或拆除零件前都必需拔除插头。
- 机体设计未企图供残障人士或缺乏使用知识者使用。
- 若血液循环不良，请勿使用产品。若有疑虑，请咨询医生。
- 不定盖住机体，或将之放在毛毯下使用。盖住产品後使用可能导致机体过热，进而引起火灾、触电或人体受伤。
- 感觉睏倦时请停止使用机体。睡眠时不应使用机体。
- 机体有损坏、潮湿、经改装、经强行拆开或无法正常运作时，停止使用机体。若有疑虑，请致电我们的服务中心。
- 电线放置之处，必需远离热源。
- 不得拉扯电线以提起机体，或使用电线为手把。
- 不得将任何物件掉落或放入机体之任何开口中。
- 使用喷雾器或人体需要供给氧气时不得使用机体。
- 拔除插头前，按遥控器的开/关按钮，关闭机体电源。
- 不得将重物放在机体上。避免机体被压碎的风险。
- 本机体仅供室内使用。
- 本机体之设计仅供非专业使用。
- 本机体仅供本手册之说明用途。不得使用未经 Oregon Scientific 推荐之附件。
- 不得将任何物件掉落或放入机体中。
- 保存本用户手册供未来参考之用。

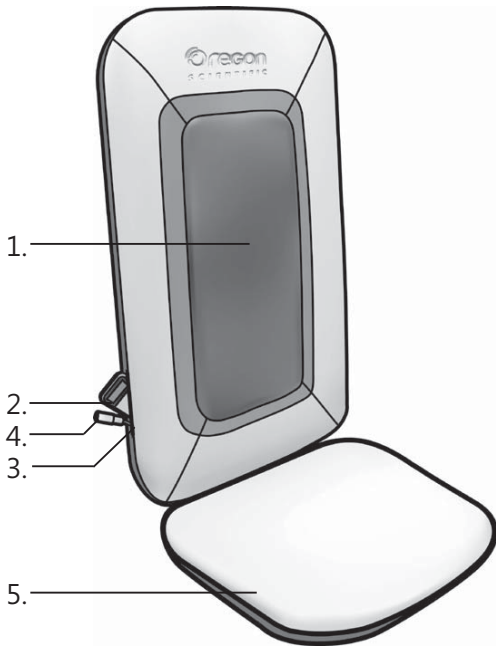
## 注意事项

操作机体前请仔细阅读所有说明。

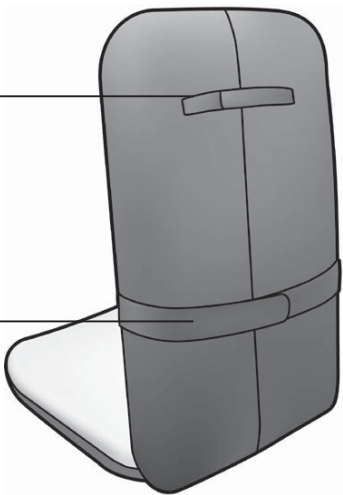
- 本机体未企图供医疗使用或取代任何医疗护理。它仅供舒适按摩之用。
- 怀孕妇女、安装人工心律调节器、糖尿病、静脉炎及/或血栓症病患、最近曾接受手术而导致有血液凝结高风险者或长期卧病者，都应在使用机体前咨询医生。
- 不建议供糖尿病患者使用。
- 本机体不应供任何因病而无法操作控制键之任何个人，或下肢知觉缺陷者使用。
- 儿童在场时应随时注意机体。
- 本机体不适合儿童使用。将产品存放於儿童无法接触之处。
- 机体操作时不得以任何物件盖住机体。
- 不得将任何物件或将阁下身体任何部位阻挡或放入正在运作的按摩机械中。
- 每次不得使用机体超过15分钟。过度使用可能导致机体过热。若发生此问题，停止使用机体，并在下次使用前等待机体冷却。
- 不得在未经处理的伤口、红肿或发炎肌肤上直接使用机体。
- 不得在睡前使用本机体。按摩器具刺激作用，可能会延後阁下的睡眠时间。
- 不得在床上使用本机体。
- 不得在单点使用附温热功能的定点指压超过3分钟。
- 不建议在木质表面上使用本机体，因为机体的拉链可能会损坏木头。在软垫傢具上使用机体时请特别小心。
- 不得在汽车内使用机体。使用按摩器後若感觉不适，或长期肌肉或关节疼痛，请暂停使用机器并咨询医生。持久的疼痛可能是较严重病情的徵兆。
- 不得在长红疹、红肿或发炎肌肤週围或患有皮肤病、褥疮或静脉曲张时使用产品。
- 一次不得使用本机体超过15分钟。进行下一节按摩前请先休息15分钟。过度使用机体将导致机身过热，缩短使用寿命。万一机身过热，请暂停使用，待机体冷却後再操作。
- 机体配备过热保护电路，若切断电源，请等待机体冷却。
- 若阁下患有糖尿病、结核病、良性或恶性肿瘤、静脉炎和血栓症，或血液循环不良，请勿使用产品。若阁下患有任何类型的黴菌感染、肿胀、骨折或持续疼痛，使用产品前请咨询医生。
- 欲避免尼龙搭扣带损伤阁下的衣物，使用产品时避免穿著精緻布料或针织衣服。
- 若感觉疲倦，停止使用机体。不得在睡眠期间仍运作产品。
- 操作控制器或拔下插头时，确保双手乾燥。
- 不得坐或站在按摩机体上(即机体的背面)。
- 拔下插头前，请将控制器滑动至关闭位置，确保已关闭机体。

概要

按摩器



- 1. 3D按摩节点。
- 2. 附液晶显示屏的遥控器：控制和监督按摩程式和模式。
- 3. 遥控器放置架：未使用遥控器时，请把它放在放置架内。
- 4. DC插孔：连接AC / DC电源变压器的插槽。
- 5. 可拆式座椅。



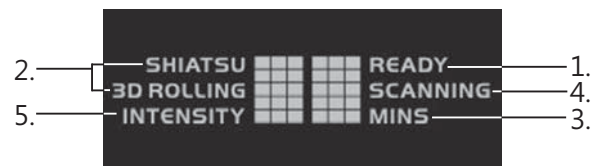
- 6. 把手。
- 7. 椅子繫带：将机体繫在椅子上。

遥控器



- 1. 电源：开启/关闭机体。
- 2. 扫描：扫描用户的体重，让机体适用于个别人士。
- 3. 程式：手动选择偏好程式 P1/P2
- 4. 3D指压模式：透过在阁下背部上下移动指压节点，帮助阁下放松紧绷的肌肉。
- 5.&6. 上▲下▼定点指压：上下移动按摩节点，以按摩特定区域。
- 7. 3D滚动模式：滚动动作旨在放松肌肉。3D功能可密切贴近阁下的背部曲线。
- 8. 滚动宽度控制：在滚动模式下，按下按钮以调整机体节点的宽度。每次按下按钮时，按摩节点将移往下一个适用的位置。
- 9. 滚动模式：滚动物器将沿著阁下的脊椎慢慢上下移动。
- 10. 全背：全背按摩。
- 11. 上背：上背部按摩。
- 12. 下背：下背部按摩。
- 13. 热度：开启/关闭舒缓热度。
- 14. 时间计：可选择15或20分钟。
- 15. 强度：高 / 低按摩强度。

液晶体显示



- 1. 准备就绪：电源开启
- 2. 指压 / 3D滚动 / 滚动：按摩功能模式
- 3. 分：设定时间计和分钟倒数
- 4. 扫描中：说明正在扫描，以设定按摩头的上下范围。
- 5. 强度：显示高 / 低按摩强度。

## 开始操作

### 警告

首次使用机体时，请遵循下列步骤：

3D温热按摩座椅在机体後方有两颗螺丝，以便在运送过程中保护按摩系统。首次使用前请拆除螺丝，机体方能正常运作。请使用产品随附的六角螺丝小扳手，并妥善丢弃螺丝。首次使用机体时，您将听到「噗」的一声。声音表示已开启运送途中保护按摩机械的安全锁。声音只会在首次使用时发出。

### 连接主电源

1. 将DC插孔连接至电源变压器。
2. 将电源变压器连接至主要电源

### 处理遥控器

取出遥控器，以操作3D温热按摩座椅。  
使用遥控器後请记得将之放回原来的放置架内。  
按电源按钮开启机体。准备就绪将显示在画面

#### 註

- 不得拉扯电线，或将之缠绕著机体。
- 不得坐在电线上。

### 使用按摩器

1. 画面显示准备就绪时，选择按摩模式。液晶画面将亮起并确认阁下的选择。
2. 欲关闭按摩功能，再次按下按钮即可。液晶画面上，准备就绪将闪烁，同时按摩机械将返回原来的位置，接著就会关闭。

#### 註

按摩流程结束及在控制面板上关闭机体时，按摩机械将返回起点。若电源受干扰，恢复电源後，机械将重返原来位置後才展开新的按摩流程。正在重返按摩节点时，液晶画面上将闪烁准备就绪的灯号 **READY**。完成按摩後，机体将自动关闭电源。再次按**电源 P**，展开新的按摩流程。

3. 选择按摩模式後将开始按摩。

欲选择按摩模式：

#### 指压

- 按控制面板上的**指压 S**按钮。
- 按**强度**按钮，选择阁下列偏好的按摩速度(高或低速)。
- 指压功能可和热度程式同步启动。

#### 滚动

- 按控制面板上的**滚动 R**按钮。
- 按**宽度**按钮，调整滚动器的宽度(窄、一般或宽)。
- 滚动功能可和热度程式同步启动。

#### 3D滚动

- 按遥控器上的**3D滚动 3D**。
- 滚动功能可和热度程式同步启动。

按摩模式和选项指南：

动作	热度	滚动器宽度	向上/向下	强度	预设时间计
指压	-	-	-	高/低	15分钟
滚动	-	窄、一般或阔	-	-	15分钟
3D滚动	-	-	-	-	15分钟

4. 机体提供3个按摩区，供阁下选择：

- 全背
- 上背部
- 下背部

液晶萤幕将显示相关资讯。

#### 註

- 指压模式开始时，机体只会在原来位置运作。选择按摩区後，机体将在所选区域上下运作。
- 机体约在15或20分钟左右自动停止。

## 定点指压

选择指压模式後，按上▲/下▼按钮，选择在背部某一点上进行指压。按住两个按钮之一，调整机械位置，直到机械到达下一个偏好位置。向上按钮，将把机械移至上方，而向下按钮则将机械移至下方。

## 宽度控制

进入滚动模式後，按**宽度**按钮，调整按摩节点间的宽度。每次按下时，按摩节点将移往下一个适用的位置(窄、一般、阔)。

#### 註

註 指压和3D滚动不适用宽度控制。

## 温热按摩器

欲启动舒缓热度，只要按下热度按钮，对应的按摩节点的红色液晶灯将会亮起。再次按按钮，取消选择，对应的液晶灯将会关闭。

#### 註

为阁下列安全起见，若未进行任何按摩程式，机体将无法开启舒缓热度。


## 时间计

按**时间计**按钮，选择**15 / 20**分钟按摩时间。画面将显示时间计的倒计时。

#### 註

若未选择时间计设定，则机体约在15分钟左右自动关闭。

## 强度

按**强度**  按钮，降低或增加机体节点的转速。显示画面将显示**高 / 低**5秒，然後返回时间计的倒数功能。

### 註

3D滚动和滚动不适用此选项。

## 示範模式

欲简短体验3D按摩座椅的功能，按住**指压 S** 和**滚动 R** 按钮3秒钟。机体将简短操作所有适用功能。进行特定功能时，液晶显示将闪烁对应的图标。完成後，机体将自动关闭。

## 保养

### 储存

将机体放在包装盒内，或存放在安全、乾爽之处。不得使之接触尖锐的边缘或物件，避免其布料表面遭割损或刺破。欲避免机体破损，不得将电线缠绕在机体上。不得利用电线或遥控器的电线吊掛机体。

### 清洁

拔下机体，等待其冷却後再清洁。只可使用稍为沾湿的柔软海绵清洁机体。不得使机体接触水份或任何其他液体。

- 请勿将整座机体浸泡在任何液体内。
- 不得使用磨损性清洁剂、刷子、汽油、煤油、玻璃/傢俱亮光剂或油漆稀释剂清洁机体。
- 不得拆除或打开机体盖的拉链，清洁内部零件。不得企图修理3D温热按摩座椅。机体内部未配备任何用户可维修的零件。

## 建议按摩时间

一般而言，最多可按摩背部20分钟。本机体设定两段式时间计：阁下可按个人需求和舒适度，选择设定15或20分钟的按摩时间。阁下每天可按需要，选择使用机体一次或两次。若有问题或疑虑，请咨询医生。

## 规格

种类	说明
<b>主机体</b>	
长 x 阔 x 高	780毫米(长)x400毫米(阔)x 90毫米(高) (30.7吋x 15.7吋 x 3.54吋)
重量	1200克(42.33安士)
电源	12V DC变压器： 输入 110-240V 50/60Hz

## 關於 OREGON SCIENTIFIC

如要获取更多 Oregon Scientific 产品如数码相机、MP3播放机、儿童电子学习产品、投影时间显示器、健康和健体产品、天气预报仪和会议电话的资料，请浏览我们的网址([www.oregonscientific.com](http://www.oregonscientific.com))

Oregon Scientific 的网址亦包括与我们客户服务部的联络方法、常见问题和客户下载资料。我们希望您能在 Oregon Scientific 的网址找到需要的资料，如您想直接与客户服务部联络，请浏览我们的网址[www.oregonscientific.com/service/default.asp](http://www.oregonscientific.com/service/default.asp)或致电在美国的电话1-800-853-8883

若属於国际性查询，请浏览我们的网址([www2.oregonscientific.com/about/international.asp](http://www2.oregonscientific.com/about/international.asp))

## Free Manuals Download Website

<http://myh66.com>

<http://usermanuals.us>

<http://www.somanuals.com>

<http://www.4manuals.cc>

<http://www.manual-lib.com>

<http://www.404manual.com>

<http://www.luxmanual.com>

<http://aubethermostatmanual.com>

Golf course search by state

<http://golfingnear.com>

Email search by domain

<http://emailbydomain.com>

Auto manuals search

<http://auto.somanuals.com>

TV manuals search

<http://tv.somanuals.com>