



ITEM# 1981202
1/2" BLACK NICKEL AIR IMPACT WRENCH
USER'S MANUAL



Read carefully and understand RULES FOR SAFE OPERATION and instructions before operating. Failure to follow these safety rules and other basic safety precautions may result in serious personal injury.

For technical questions and replacement parts, please call 1-800-222-5381.
Thank you very much for choosing a NORTHERN TOOL + EQUIPMENT CO., Product!
For future reference, please complete the owner's record below:

Model: _____ Purchase Date: _____

Save the receipt, warranty and these instructions. It is important that you read the entire instruction sheet to become familiar with this product before you begin using it. This product is designed for certain applications only. Northern Tool + Equipment strongly recommends that this product is not modified and/or used for any application other than that for which it was designed. If you have any questions relative to a particular application, DO NOT use the product until you have first contacted Northern Tool + Equipment to determine if it can or should be performed on the product. Before using this product, please read the following instructions carefully.

Technical Specifications

Item	Description	Item	Description
Square Drive	1/2"	Air Inlet Diameter	1/4"- 18NPT
Free Speed	7500 RPM	Min. Hose Size	3/8"
Max. Torque	230 ft-lbs	Max. air pressure	90 PSI
Air Consumption	4 CFM		

SAVE THIS MANUAL

You will need this manual for the safety warnings and precautions, assembly, operating, inspection, maintenance and cleaning procedures, parts list and assembly diagram. Keep this manual and invoice in a safe and dry place for future reference.

GENERAL SAFETY RULES

Read and understand all instructions.

Failure to follow all instructions listed in the following pages may result in electric shock, fire, and/or serious injury.

Work Area

1. Keep your work area clean and well lit. Cluttered benches and dark areas invite accidents.
2. Do not operate pneumatic tools in explosive atmospheres, such as in the presence of flammable liquids, gases, or dust. Pneumatic tools create sparks which may ignite flammables.
3. Keep bystanders, children, pets and onlookers away while operating a pneumatic tool. Distractions can cause you to lose control. Protect others in the work area from debris such as metal filings and sparks. Provide barriers or shields as needed.

Personal Safety

1. Stay alert. Watch what you are doing, and use common sense when operating a pneumatic tool. Do not use a pneumatic tool while tired or under the influence of drugs, alcohol, or medication. A moment of inattention while operating pneumatic tools may result in serious personal injury.
2. Dress properly. Do not wear loose clothing or jewelry. Contain long hair. Keep your hair, clothing, and gloves away from moving parts. Loose clothes, jewelry, or long hair can be caught in moving parts.

3. Avoid accidental starting. Be sure the trigger is off before connecting to the air supply. Carrying pneumatic tools with your finger on the trigger, or connecting pneumatic tools to the air supply with the Trigger on, invites accidents.
4. Remove adjusting keys or wrenches before turning on the tool. A wrench or a key that is left attached to a rotating part of the tool may result in personal injury.
5. Do not overreach. Keep proper footing and balance at all times. Proper footing and balance enables better control of the tool in unexpected situations.
6. Use safety equipment. Always wear ANSI-approved safety glasses underneath a full face shield, and hearing protection.

Use and Care

1. Use clamps or other practical ways to secure and support the work piece to a stable platform. Holding the work by hand is unstable and may lead to loss of control. Only work on a workpiece that is properly secured.
2. Do not force the tool. Use the correct tool for your application. The correct tool will do the job better and safer at the rate for which it is designed.
3. Do not use the power tool if the trigger does not turn it on or off. Any tool that cannot be controlled with the Trigger is dangerous and must be replaced.
4. Disconnect the air hose from the tool before making any adjustments, changing accessories, or storing the tool. Such preventive safety measures reduce the risk of starting the tool accidentally.
5. Store idle tools out of reach of children and other untrained persons. Tools are dangerous in the hands of untrained users.
6. Maintain tools with care. Do not use a damaged tool. Tag damaged tools "Do not use" until repaired.
7. Check for misalignment or binding of moving parts, breakages of parts, damaged air hose (not included), and any other condition that may affect the tool's operation. If damaged, have the tool serviced before using. Many accidents are caused by poorly maintained tools.
8. Use only accessories that are recommended by the manufacturer for your model. Accessories that may be suitable for one tool may become hazardous when used on another tool.

Service

1. Tool service must be performed only by qualified repair personnel. Service or maintenance performed by unqualified personnel could result in a risk of injury.
2. When servicing a tool, use only identical replacement parts. Follow instructions in the Inspection, Maintenance and Cleaning section of this manual. Use of unauthorized parts or failure to follow maintenance instructions may create a risk of injury.

SPECIFIC SAFETY RULES

1. To avoid accidental injury, always wear ANSI-approved safety glasses, a full face shield, and hearing protection when operating the tool.
2. Use clean, dry, regulated, compressed air at 90 PSI. Do not exceed the recommended 90 PSI. Never use oxygen, carbon dioxide, combustible gases, or any other bottled gas as a power source for this tool.
3. When connecting to the air supply: Prior to each use, if an automatic oiler is not used, add two drops of air tool oil (not included) into the air inlet fitting of the tool.
4. Always disconnect the tool from its compressed air supply source, and squeeze the Trigger to release all compressed air in the tool before performing any maintenance or service.

5. The warnings, precautions, and instructions discussed in this manual can not cover all possible conditions and situations that may occur. The operator must understand that common sense and caution are factors which cannot be built into this product, but must be supplied by the operator.

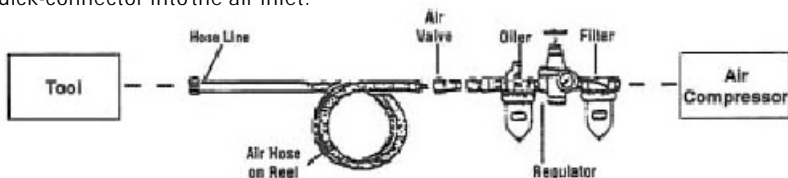
ASSEMBLY AND OPERATING INSTRUCTIONS

To attach a quick connector

WARNING

Prior to performing any assembly and/or adjustment procedures, make sure the air supply hose (not included) is disconnected from the impact wrench.

1. Prior to use, the impact wrench requires the attachment of a quick-connector into its air inlet. To do so, wrap approximately 3" of pipe thread sealer tape (not included) around the male threads of a quick-connector. Then, firmly tighten the quick-connector into the air inlet.



Recommended Air Line Components

Fig. 1

Loosening

1. Attach the correct size socket to the anvil.
2. Set the compressor's pressure regulator to 90 PSI. Do not set the compressor's outlet regulator above 90 PSI.
3. Connect the tool to the air compressor's hose. If leakage is detected, disconnect the air hose and fix it correct before use.
4. Place the socket over the nut to loosen.
5. Grip the tool firmly. Press the REVERSE valve in from the area above the trigger so that the REVERSE valve protrudes out the back of the housing. Press the trigger to start the tool.

Caution:

Make sure the nut or bolt can withstand the impact wrench's working torque.

NOTE:

- > If the tool cannot loosen the nut, DO NOT raise the outlet pressure of the air compressor.
- > When the nut is moved, stop the tool by releasing the trigger and remove the tool from the nut. Remove the nut from the socket if needed.

Tightening

The working torque of the impact wrench is 230 ft.-lbs. Make sure that the nut or bolt you are using the tool to tighten can withstand the rated torque.

1. Tighten the nut as far as you can by hand.
2. Place the socket on the nut. Press the REVERSE valve forward so it protrudes out the front of the Housing. Press the trigger to start the tool.

NOTE:

- If the tool stalls while tightening, DO NOT raise the outlet pressure of the air compressor above 90 PSI.
- When the nut has been tightened, remove the tool and socket.
Do not over-tighten.
- If available, check the recommended torque specifications for the nut.
You should use a torque wrench to torque the nut after using the impact wrench.

INSPECTION, MAINTENANCE AND CLEANING

1. Always make sure the trigger is in its "OFF" position, and disconnect the tool from its compressed air supply before performing any inspection, adjustments, maintenance, or cleaning.
2. Before each use, inspect the general condition of the tool. Check for loose screws, misalignment or binding of moving parts, cracked or broken parts, damaged air hose, and any other condition that may affect its safe operation. If abnormal noise or vibration occurs, have the problem corrected before further use. Do not use damaged equipment.
3. Daily: With a clean cloth, remove all dirt, oil, and grease from the tool. If necessary, you may use a mild detergent. Do not use solvents, as damage to the tool may occur. Do not immerse the tool in any liquids.

GENERAL TROUBLE SHOOTING

TROUBLES

- Tool does not run at a normal speed or at a variable speed.
- The motor blocks.
- Automatic start when connected to compressed air.
- Torque reduces
- Abnormal vibrating Easy hot rising at the housing.

CAUSES

- Air supply is not enough (air pressure not in a required standard)
- Speed controller/switch breakdown
- Rotor blades break or wear out
- Dust gets into the motor
- Throttle lever or starting trigger malfunctions
- Air leakage at the inlet or somewhere else
- Bearing damages
- Correspondent O-rings wear out or out of position
- Lack of lubricating

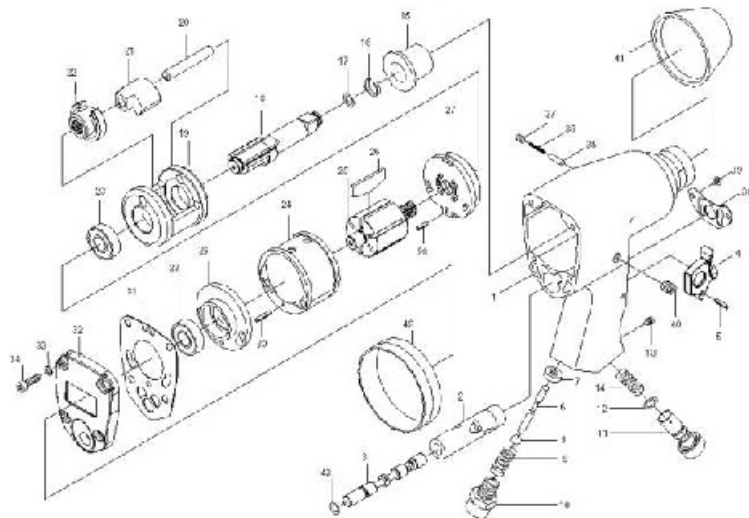
TROUBLE SHOOTING

- Check the air hose to see whether it is blocked or twisted for less air supply
- Check the air compressor to gain the correct air pressure required
- Replace rotor blades
- Disassemble the tool and clean the inner structure under proper instructions
- Check and fix the throttle lever or starting trigger for accurate operation
- Check the air leakage and fix it under proper instruction
- Replace new bearing
- Replace the damaged O-ring or put it back in correct position
- Oil/Lubricate the tool consistently until it gains the right speed and torque.

NOTE: For any other special troubles which cannot be settled down by the operator, please contact the selling agent from whom you purchased the tool.

Diagram

1/2"Dr Air Impact Wrench



Part No.	Description	Qty.
1	Housing	1
2	Valve Sleeve	1
3	Reverse valve	1
4	Trigger	1
5	Spring Pin	1
6	Valve Stem	1
7	Valve seat	1
8	Steel Ball	1
9	Spring	1
10	Air Inlet	1
11	Air Regulator	1
12	O-ring	1
13	Set Screw	1
14	Spring	1
15	Anvil Bushing	1
16	Anvil collar	1
17	O-ring	1
18	Standard Anvil	1
19	Hammer Cage	1
20	Hammer Pin	1
21	Hammer Dog	1
22	Drive Cam	2

Part No.	Description	Qty.
23	Ball Bearing	2
24	Cylinder	1
25	Rotor	1
26	Rotor Blade	6
27	Front End Blade	1
28	Front Dowel Pin	1
29	Rear end Plate	1
30	Rear Dowel Pin	1
31	Rear Gasket	1
32	Back Cover	1
33	Spring Washer	4
34	Cap Screw	4
35	Stop Pin	1
36	Spring Pin	1
37	Set Screw	1
38	Exhaust Deflect	1
39	Tapping Screw	2
40	Plug	1
41	Nose Rubber	1
42	Protect Ring	1
43	O-ring	1

Free Manuals Download Website

<http://myh66.com>

<http://usermanuals.us>

<http://www.somanuals.com>

<http://www.4manuals.cc>

<http://www.manual-lib.com>

<http://www.404manual.com>

<http://www.luxmanual.com>

<http://aubethermostatmanual.com>

Golf course search by state

<http://golfingnear.com>

Email search by domain

<http://emailbydomain.com>

Auto manuals search

<http://auto.somanuals.com>

TV manuals search

<http://tv.somanuals.com>