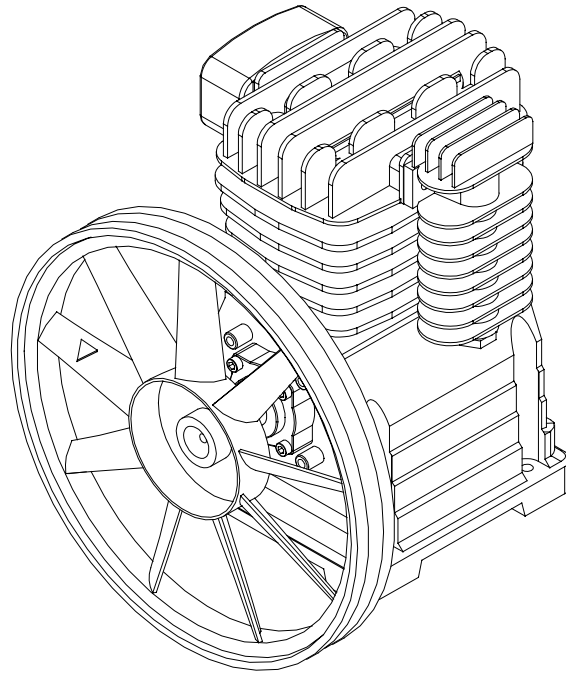




Air Compressor Pump ITEM # 45929 & 45930

M35982E

OWNER'S MANUAL



Quick Facts

Pump Oil	Check pump oil level before starting. Use Non-detergent pump oil (item # 35605).
Maximum RPM	45929: 1570 RPM (700 RPM Minimum) 45930: 1450 RPM (700 RPM Minimum)
Minimum Horsepower	45929: 5.0 hp gas engine, 3.0 hp electric motor 45930: 5.5 hp gas engine, 4.0 hp electric motor
Displacement	45929: 11.3 CFM 45930: 16.9 CFM
CFM @ 90 psi	45929: 8.2 45930: 13.2
Rotation	Pump crankshaft MUST rotate in direction of arrow cast into flywheel.
Drive Belt	Flywheel requires "A" style belt
Air Flow	Belt guard MUST allow maximum air flow past pump.

**Any Questions, Comments, or Problems?
Call Customer Service at 1-800-270-0810
Hours: Monday - Friday 7:00 AM to 5:00 PM
Saturday 7:30 to 11:30 AM CST**

THANK YOU

Thank you for purchasing a NorthStar compressor pump. Your pump is designed for long life, dependability, and the top performance you demand. Please take time now to read through this manual so you can better understand the pump's safety precautions. Everyone who uses this pump must read and understand this manual. Enjoy the exceptional performance of your NorthStar pump.

IMPORTANT

Make certain the operator:

- Reads and understands the manuals pertaining to this tank.
- Is instructed in safe and proper operation of this air compressor tank.

NOTICE

K-BAR Industries Incorporated reserves the right to make improvements in design and/or changes in specifications at any time without incurring any obligation to install them on units previously sold.

WARNINGS

ALWAYS bleed pressure from tank before servicing.

ALWAYS use air handling parts that are rated above the maximum allowable working pressure of the tank.

ALWAYS drain tank daily or after each use. Rusted tanks can cause explosion and cause severe injury or death.

ALWAYS read your owners manual before operating.

ALWAYS use at least one ASME safety relief valve rated at 200 psi or below.

ALWAYS use an ASME certified air receiver tank.

ALWAYS use Teflon tape on all threads to reduce leaks.

NEVER exceed the nameplate rating of the tank (200 psi working pressure). Exceeding this rating can cause explosion and cause severe injury or death.

NEVER operate machine without a belt guard in place.

NEVER bypass, modify, or remove safety/relief valves.

NEVER direct air stream at people or animals

NEVER modify or repair tank, obtain an ASME replacement from a service center or customer service at 1-800-270-0810.

NEVER breathe receiver air. Can contain **Carbon Monoxide** or other contaminants.
Will cause serious injury or death.

NorthStar air compressor tanks are not designed for breathing air.

COMPRESSOR LUBRICATION

CAUTION! Do not operate without lubricant or with inadequate lubricant.
Use of compressor without lubricant or inadequate lubricant voids all warranties.

Synthetic Lubricants

Synthetic lubricants are recommended after 50 hour break-in. Compressor life is greatly increased with the use of synthetic lubricants. **CAUTION!** If you will be using synthetic lubricant, all downstream piping material and system components must be compatible.

Suitable Viton®, Teflon®, Epoxy (Glass Filled), Oil Resistant Alkyd, Fluorosilicone, Fluorocarbon, Polysulfide, 2-Component Urethane, Nylon, Delrin®, Celcon®, High Nitrile Rubber (Buna N. NBR more than 36 Acrylonite), Polyurethane, Polyethylene, Epichlorohydrin, Polyacrylate, Melamine, Polypropylene, Baked Phenolics, Epoxy, Modified Alkyds
(® indicates trademark of DuPont Corporation)

Not Recommended

Neoprene, Natural Rubber, SBR Rubber, Acrylic Paint, Lacquer, Varnish, Polystyrene, PVC, ABS, Polycarbonate, Cellulose Acetate, Latex, EPR, Acrylics, Phenoxy, Polysulfones, Styrene Acrylonitile (San), Butyl

Alternate Lubricants.

You may use petroleum-based lubricant that is premium quality, does not contain detergents, contains only anti-rust, anti-oxidation, and anti-foam agents as additives, has a flashpoint of 440°F (227°C) or higher, and has a auto-ignition point of 650°F (343°C) or higher.

See the petroleum lubricant viscosity table below. The table is intended as a general guide only. Heavy duty operating conditions require heavier viscosities. Refer specific operating conditions to NorthStar Customer Service at 1-800-270-0810 Monday - Friday 7:00 AM-5:30 PM, Saturday 7:30 AM-11:30 AM Central Standard Time.

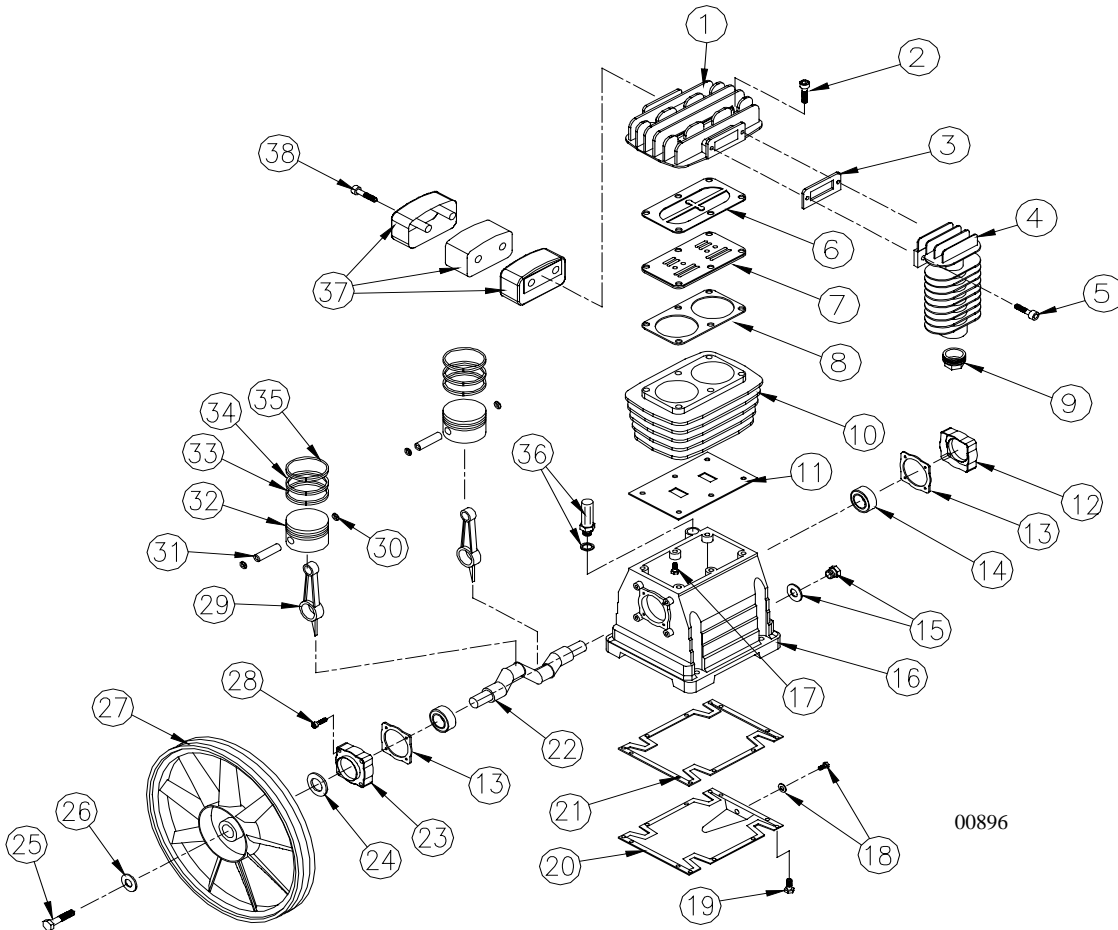
Temperature around Compressor	Viscosity Grade	
	ISO	SAE
Below 40°F (4°C)	100	30
40°F to 80°F (4°C to 27°C)	100	30
80°F to 100°F (27°C to 37°C)	150	40

Pump Capacities.

Refer to the following table for crankcase capacity

Item number	Crankcase Capacity
45929	24 oz.
45930	36 oz.

779100 & 779101 Pump Assembly

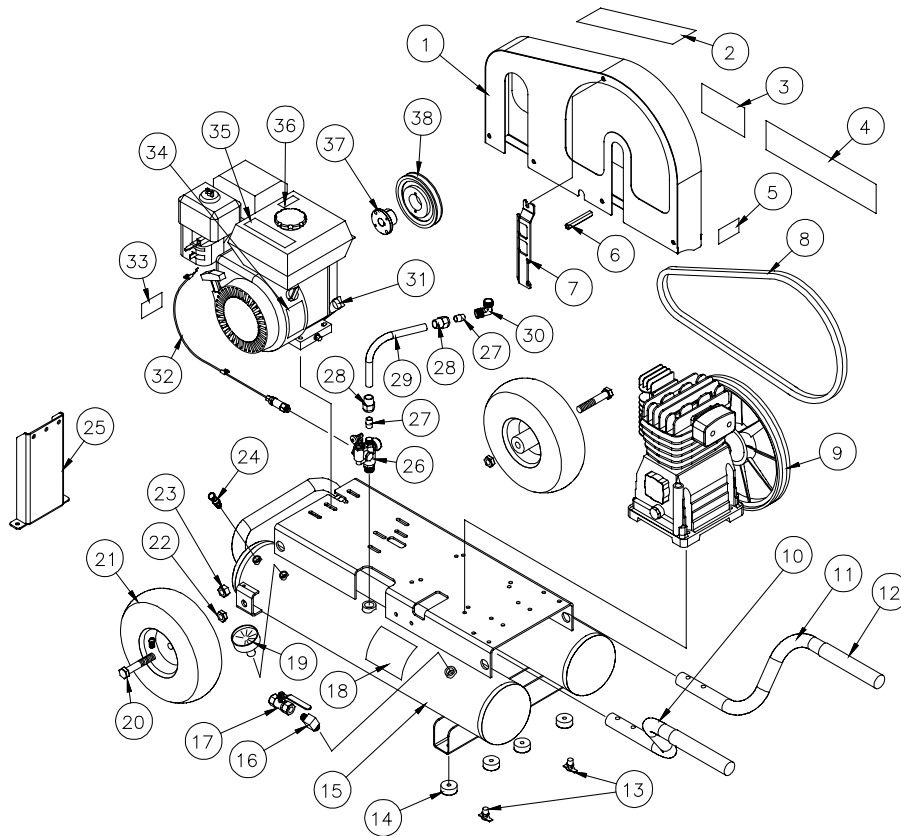


Ref	Description	Model	Part #	Qty
1	Head	45929	AB2860400	1
		45930	AB3860400	1
2	Head Bolt (M8 x 45mm SHCS)	ALL	AB9101594	6
3	Aftercooler Gasket	ALL	AB3670200	1
4	Aftercooler, 118mm	ALL	AB2870100	1
5	Aftercooler Bolt (M6 x 20mm SHCS)	ALL	AB9101254	2
6	Head Gasket	ALL	AB2850400	1
7	Valve Plate Assembly	ALL	AB2840050	1
8	Cylinder Gasket	ALL	AB2850300	1
9	Reducer	ALL	AB9050283	1
10	Cylinder	45929	AB2830000	1
		45930	AB3630000	1
11	Crankcase Gasket	ALL	AB3650201	1
12	Cover N.D.E.	ALL	AB2060690	1
13	Bearing Cover Gasket	ALL	AB2050500	2
14	Bearing	ALL	AB9170030	2
15	Oil Sight Glass	ALL	AB9022001	1
16	Crankcase	45929	AB2860100	1
		45930	AB3660100	1
17	Cylinder Bolt (M6 x 20 mm SHCS)	ALL	AB9107254	6
18	Oil Drain Plug	ALL	AB9101154	1
20	Oil Pan	45929	AB2660160	1
		45930	AB3660160	1

Ref	Description	Model	Part #	Qty
21	Oil Pan Gasket	45929	AB2650101	1
		45930	AB3650100	1
22	Crankshaft	45929	AB2860200	1
		45930	AB3660200	1
23	Cover D.E.	ALL	AB2060590	1
24	Oil Seal	ALL	AB9163010	1
25	Screw, Reverse Thread	ALL	AB9110014	1
26	Flywheel Washer	ALL	AB9004008	1
		45929	AB2000100	1
	Flywheel, 330 mm	45930	AB2000181	1
27	Bearing Housing Bolt (M6 x 15mm SHCS)	ALL	AB9101094	8
29	Connecting Rod	45929	AB2810100	2
		45930	AB3610100	2
30	Circlip	ALL	AB9140040	4
31	Pin	ALL	AB3021200	2
32	Piston	45929	AB1421100	2
		45930	AB1021100	2
33	Piston Ring, ROF	ALL	AB9020071	1
34	Piston Ring, ROS	ALL	AB9020041	1
35	Piston Ring, AC	ALL	AB9020011	1
36	Breather Cap	ALL	AB9024003	1
37	Filter Assembly	ALL	AB2281000	1
38	Filter Assembly Bolt (M6 x 30mm SHCS)	ALL	AB9114279	2
		45929	AB2850055	1
	Complete Gasket Kit	45930	AB3650055	1

EXPLODED VIEW

We have included this exploded view of one of our air compressors to aid you in re-building your air compressor. You can order any of the parts seen below by calling our customer service at 1-800-270-0810.



00890

Item	Description	Model	Part #	Qty
1	Belt Guard	45920	34764	1
	Belt Guard	45921	35048	1
2	Decal	ALL	34782	1
3	GX Honda Decal	ALL	35374	1
4	Decal	ALL	34784	1
5	Rotating Equip. Decal	ALL	35189	1
6	Stand-off	ALL	35607	1
7	Guard Bracket	45920	35610	1
	Guard Bracket	45921	35611	1
8	Belt, A53	ALL	34731	1
9	Pump, B2800B	45920	779100	1
	Pump, B3800B	45921	779101	1
10	Left Handle	45921	34767	1
11	Right Handle	45921	34768	1
12	Rubber Grip	ALL	30747	2
13	Drain Valve	ALL	34700	2
14	Bumper	ALL	2215	4
15	8 Gallon Tank	45920	35614	1
	8 Gallon Tank	45921	35615	1
16	3/8" NPT Male Elbow	ALL	22891	1
17	3/8" Ball Valve	ALL	34696	1
18	Decal	ALL	34777	1
19	Air Gauge, Liquid Filled	ALL	34699	1
20	5/8" Axle	45920	34719	1
	5/8" x 3.5" Bolt	45921	82123	2

Item	Description	Model	Part #	Qty
21	Tire	45920	34722	1
	Tire	45921	22785	2
22	5/8" Jam Nut	45921	82126	2
23	5/8" Nut	45921	82125	2
24	Safety Valve, 150 psi	ALL	35120	1
25	Skid Mount Leg	<i>Optional</i>	45941	1
26	Unloader, 100-130 psi	ALL	35025	1
27	5/8" Compression Sleeve	ALL	34723	2
28	5/8" Compression Nut	ALL	34724	2
29	5/8" Copper Tube	45920	34721	1
	5/8" Copper Tube	45921	34730	1
30	1/2" Elbow	ALL	34937	1
31	Engine, Honda GC160	45920	35618	1
	Engine, Honda GX160	45921	60590	1
32	Idle Solenoid Cable	45920	35126	1
	Idle Solenoid Cable	45921	35623	1
33	CO Warning Decal	ALL	6022	1
34	Nameplate	45920	35177	1
	Nameplate	45921	35179	1
35	Operation Instr. Decal	ALL	34783	1
36	Warning Hot Decal	ALL	35064	1
37	H Bushing	ALL	33562	1
38	Sheave, AK49K	45920	35621	1
	Sheave, AK54H	45921	35625	1

Free Manuals Download Website

<http://myh66.com>

<http://usermanuals.us>

<http://www.somanuals.com>

<http://www.4manuals.cc>

<http://www.manual-lib.com>

<http://www.404manual.com>

<http://www.luxmanual.com>

<http://aubethermostatmanual.com>

Golf course search by state

<http://golfingnear.com>

Email search by domain

<http://emailbydomain.com>

Auto manuals search

<http://auto.somanuals.com>

TV manuals search

<http://tv.somanuals.com>