

# NESCO<sup>®</sup>

## PROFESSIONAL

**Electric Food Grinder FG-400PR**

---

Care/Use Guide

---

**Broyeur d'aliments électrique FG-400PR**

---

Guide d'entretien et d'utilisation

---



# NESCO<sup>®</sup>

## PROFESSIONAL

### Electric Food Grinder FG-400PR

#### Table of Contents

IMPORTANT SAFEGUARDS .....	1
Get to know NESCO <sup>®</sup> Professional Grinder .....	2
Assembly Instructions .....	3
Operating Instructions .....	4
How to clear Jammed Food .....	4
Cleaning Instructions .....	5
Grinding Tips .....	5
Sausage Maker Assembly and Tips .....	6
Sausage Maker assembly .....	7
ONE YEAR LIMITED WARRANTY .....	8

NESCO<sup>®</sup> is a registered trademark of The Metal Ware Corporation.

The Metal Ware Corporation  
1700 Monroe St., P.O. Box 237  
Two Rivers, WI 54241  
Ph: (800) 288-4545

# IMPORTANT SAFEGUARDS

- This product is designed for household use only -

When using electrical appliances, basic safety precautions should always be followed, including the following:

1. **READ ALL INSTRUCTIONS BEFORE USING THIS APPLIANCE.**
2. The appliance is designed for household use only. It is not intended for commercial use.
3. To protect against electric shock, do not immerse the Appliance, including cord and plug, in water or other liquid.
4. Close supervision is necessary when appliance is used near children. This appliance is not recommended for use by children.
5. Unplug appliance from power outlet when not in use, before assembly or disassembly of parts, and before cleaning.
6. Do not operate any appliance with damaged cord or plug or after appliance malfunctions, or has been damaged in any manner. Return the appliance to NESCO® Factory Service Department for examination, repair or adjustment.
7. Do not place appliance on or near a hot gas or electric burner, or heated oven.
8. Only use accessory attachments recommended by the manufacturer.
9. Do not use appliance outdoors or for other than intended use.
10. Do not let the cord hang over the edge of a table or touch hot surfaces.
11. Do not operate the appliance continuously for more than 15 minutes. Allow the appliance to cool for 15 minutes before second operation.
12. Do not use appliance to grind frozen foods or bones.
13. Operate appliance only when all parts are fully engaged and tightened.
14. To reduce risk of injury and damage to appliance keep hands, hair, clothing and utensils away from moving parts during operation.
15. NEVER feed appliance by hand, always use the PUSHROD.
16. Place appliance on flat and steady support surface when ready for use.
17. Remove all packaging and wash parts before using the first time.
18. Do not use fingers to scrape food away from discharge disc while appliance is operating. Cut type injury may result.

## SAVE THESE INSTRUCTIONS

**Polarized Plug:** This appliance has a polarized plug (one blade is wider than the other). To reduce risk of electric shock, plug is intended to fit into polarized outlet only one way. If the plug does not fit fully into the outlet, reverse the plug. If it still does not fit, contact a qualified electrician. Do not try to modify the plug in any way.

**Short Cord Instructions:** A short power supply cord is provided to reduce the risk resulting from becoming entangled in or tripping over a longer cord. Extension cords may be used if care is exercised in their use. If an extension cord is used, the marked electrical rating of the cord should be at least as great as the electrical rating of the appliance. The longer cord should be arranged so that it will not drape over the tabletop where it can be pulled on by children or tripped over unintentionally.

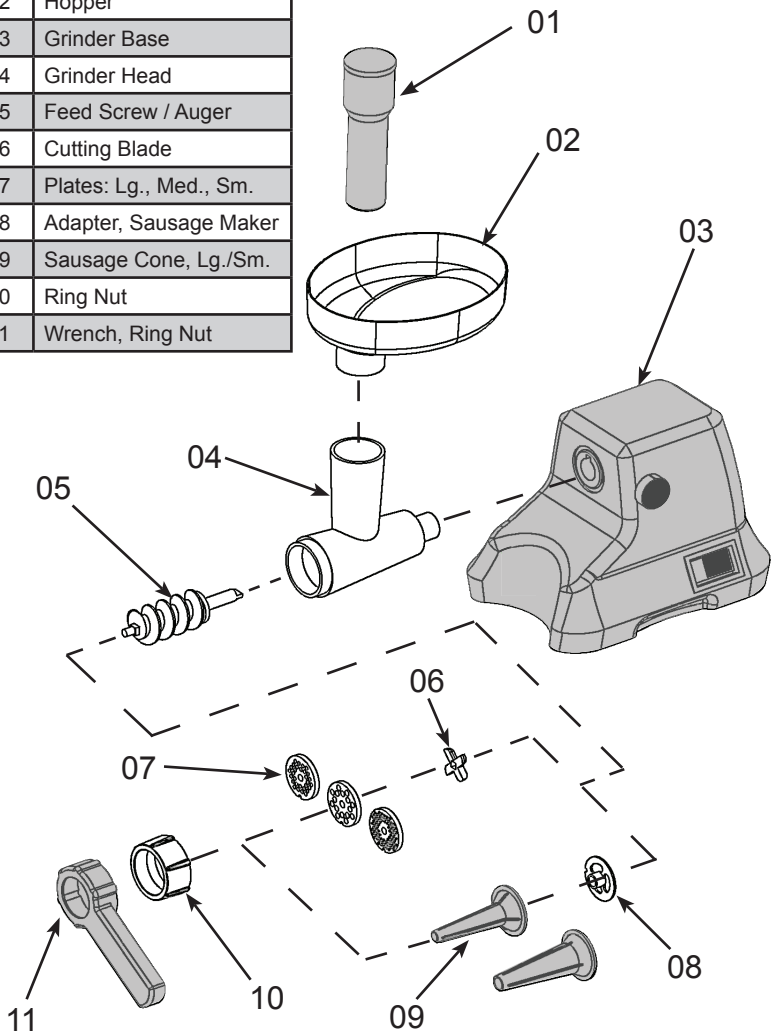
# Get to know your NESCO Professional® Food Grinder

## Parts list for FG-400PR

### Food Grinder

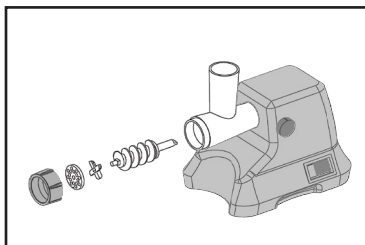
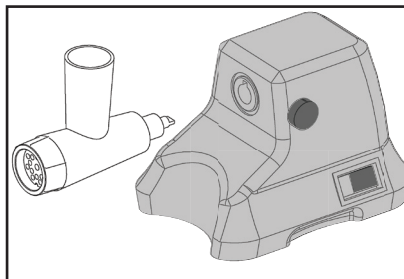
01	Pushrod
02	Hopper
03	Grinder Base
04	Grinder Head
05	Feed Screw / Auger
06	Cutting Blade
07	Plates: Lg., Med., Sm.
08	Adapter, Sausage Maker
09	Sausage Cone, Lg./Sm.
10	Ring Nut
11	Wrench, Ring Nut

Figure 1



## Assembly Instructions

1. Carefully unpack unit and examine all packaging to make sure all parts are included (See page 2)
2. Clean all parts prior to using.
3. Place unit on a flat stable surface.
4. Make sure Switch is "OFF" (O) and power cord unplugged before assembling.
5. Turn Locking Screw counter-clockwise several turns. Insert Grinder Head into Base opening until seated and tighten Locking Screw.
6. Insert Feed Screw into Grinder Head, long end spindle first. Turn slightly until fully set in Grinder Head.
7. Position Cutting Blade (cut edge facing outward to plate) onto Feed Screw. Make sure blade is seated over 'square' shoulder of Feed Screw or meat will not grind properly and Cutting Plate may be damaged.
8. Place desired Cutting Plate over end of Feed Screw and against Blade. NOTE:



NOTE:  
Make sure "notch" is aligned with "key" in Grinder Head and seated against Blade.

9. Thread Ring Nut on Grinder Head and turn gently until tight. Use Ring Nut Wrench to loosen Nut after use if needed.

10. Place Food Hopper on top of Grinder Head.

11. Plug into 120 V outlet and you are

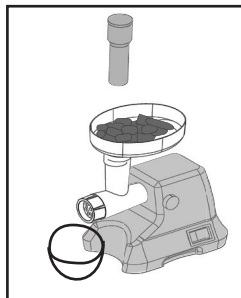
ready to begin grinding.

## NESCO Professional Food Grinder - A Healthier Diet

- With your own NESCO Professional Food Grinder, you control the ingredients. You control the amount of fats, salts and other additives, for a healthier diet. Chunky sandwich spreads, savory appetizers, hearty soups, relishes, homemade sausage, other meat dishes. . . even cakes are so easy to make.
- You can make sausages out of any foods. Most butcher shops offer casings, which you purchase fresh, just before you are ready to grind.
- Your NESCO Food Grinder is intended for processing relatively small quantities. Meat needs to be cut into relatively small chunks and gristle should be removed or it will likely clog the Feed Screw assembly. If grinder clogs, you can easily clear the Feed tube by pressing the REVERSE switch button.

## OPERATING INSTRUCTIONS

1. Place the unit on a flat and stable work surface. Be sure unit is fully assembled (see Assembly Instructions, page 3).
2. Make sure the Switch is in the "OFF" (O) position.
3. Insert plug into standard 120 Volt electrical outlet, rated 15A minimum.
4. Place a wide, shallow bowl or plate beneath the Grinder Head to catch ground food.
5. Press Switch to "ON" (I). Always have the unit running before adding food.
6. Cut food into strips or cubes slightly smaller than the Hopper opening.
7. Place food into the Hopper and use Pushrod to gently feed food into the Feed Screw. Do not force food into the Grinder Head and NEVER use fingers or other tools, other than recommended by appliance manufacturer, to feed food into Grinder Head.
8. If the motor slows or stops, this may be due to jammed food. See instructions below for clearing jammed foods. **IMPORTANT - NEVER PUT YOUR FINGERS INTO THE FOOD HOPPER OPENING WHILE UNIT IS OPERATING OR PLUGGED INTO ELECTRICAL OUTLET.**
9. When you have finished grinding food, press Switch to "OFF" (O), unplug from electrical outlet and follow cleaning instructions.



## How to clear Jammed Foods

1. If the motor slows or stops, press Switch "OFF" (O) immediately.
2. Press the Switch to the REVERSE position for several seconds to clear jammed food in the Grinder Head.
3. Release the Reverse switch and try operating as usual.
4. If motor slows or stops again, press Switch "OFF" (O) and unplug from electrical outlet. Follow cleaning instructions to clear the jammed food completely.

## CLEANING INSTRUCTIONS

1. Always unplug unit when not in use, before inserting or removing parts and before cleaning.
2. NEVER immerse Base unit in water or other liquids. Wipe Base with damp cloth and mild detergent. Do not use harsh or abrasive cleaners on Base as it could damage the finish.
3. Wash all parts, except Base, in hot soapy water, rinse and set aside to dry. Use care when handling Cutting Blade. NOTE: REMOVABLE PARTS ARE **NOT** DISHWASHER SAFE. Dishwasher detergents may cause pitting and corrosion. Always wash by hand in soapy water.
4. The Blade and Cutting Plates should be coated with cooking oil after washing and drying. Wrap in grease-proof paper or plastic bag to prevent corrosion (rust).
5. Store appliance in a dry place.
6. Any other servicing should be performed by an authorized service personnel.

## Grinding Tips

During extended periods of use, fats from meats can build up inside the grinding head causing motor to strain and slow. If this happens turn off grinder and unplug cord from outlet. Disassemble and clean grinding head and feed screw.

**Fine Cutting Plate** - Use for finely ground texture, such as spreads, baby food or hamburger.

**Medium Cutting Plate** - Use for ground meat in soups or relishes

**Course Cutting Plate** - Use for coarsely ground texture, such as nuts, vegetables or ground meat for chili.

**Raw Meat and Fish** - These items will have a minimum loss of juices if thoroughly chilled before grinding. When grinding larger quantities, fats can build up inside the Grinder Head. If this occurs, disassemble and wash parts in soapy water, then reassemble. After grinding meat you can clean the Feed Screw by grinding a slice of bread.

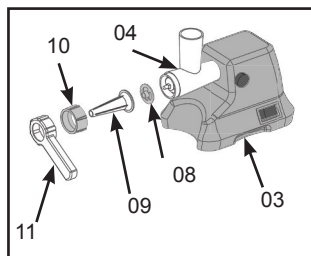
**Remove all bones**, tough tendons, nut shells, etc. before grinding.

**Nuts** - Use the Course Cutting Plate and feed nuts into Grinder Head slowly. Whenever possible, alternate with other ingredients, such as dried fruits or vegetables.

**Bread Crumbs** - Best if using dry or toasted bread. Make sure all parts are free of moisture before starting.

## Sausage Maker Assembly

1. Make sure all parts have been cleansed and dried before assembly
2. Assemble Grinder Head to Base. Secure Grinder Head by turning Locking Screw clockwise until tight. Be sure the Grinder Head is fully seated into Base before tightening Locking Screw. NOTE: Notch on Grinder Head aligns with Key in Base.
3. Insert Feed Screw into Grinder Head, long end of spindle first. Turn slightly until fully set in Grinder Head.
4. Place Sausage Maker Adapter and Sausage Cone onto end of Feed Screw.
5. Insert Ring Nut over Sausage Cone and thread onto end of Grinder Head, turn clockwise until tight. Use Wrench if needed.
6. Insert Food Hopper on top of Grinder Head.



## Sausage Making Tips

Pork Butt is a good selection of meat for sausage making because of the ideal proportions of lean and fat.

After stuffing you can clean the Feed Screw by grinding a slice of bread.

Stuffing is made a lot easier if you consider it a two-person job. Prick the casing with a pin to allow the air to escape while stuffing.

Fresh sausage is readily perishable and has a short shelf life of 3-4 days at refrigerator temperature. Up to 4-6 months in freezer.

Average weight of fresh sausage (8 inch link) is 6 ounces.

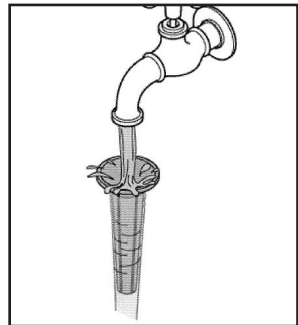


## Sausage Maker Assembly

1. Casings (natural or synthetic) are available in some grocery stores, most butcher shops, meat packing plants and butcher supply houses. Local butchers or giant supermarkets that make their own sausage are your best bets.
2. Meats must be coarsely ground and seasoned before making sausage links.
3. Select Sausage Cone based on size of casing to be used.
4. Before stuffing, insert two fingers into one end of casing to open, hold under the faucet and let water run the entire length. This will wash away some of the packing salt. If you don't clean well, your sausage will turn out saltier than when you tested the seasoning.

### To Stuff Casings:

1. Gather all of casing over Sausage Cone, except the last 4 inches.
2. Place seasoned meat into Food Hopper and depress Switch "ON" (I).
3. Use Pushrod to push seasoned meat into Grinder Head. As you push mix through the Grinder, it will stuff your casing. NOTE: Stuff casing loosely, as some sausages will expand during cooking.
4. As casing begins to fill, tie-off the end with string.
5. Distribute meat through casing and twist into links as it fills to obtain the desired size and shape.
6. When finished or casing is full, press Switch "OFF" (O).
7. Unplug unit from electrical outlet and clean thoroughly by following cleaning instructions given in this book.



## ONE YEAR LIMITED WARRANTY

This appliance is warranted for one year from date of original purchase against defects in material and workmanship. This warranty does not cover transportation damage, misuse, accident or similar incident. This warranty gives you specific legal rights and you may have other rights, which vary from state to state. This product is intended for household use only, not for commercial use. Warranty does not cover commercial use.

Your new **NESCO**® appliance comes equipped with numerous safety features. Any attempt to interfere with the operation of these safety features makes this warranty null and void. In the event we receive an appliance for service that has been tampered with, we reserve the right to restore it to its original state and charge for the repair.

For service in warranty - Defective products may be returned, postage prepaid, with a description of the defect to: The Metal Ware Corporation, 1700 Monroe Street, Two Rivers, Wisconsin 54241, for no-charge repair or replacement at our option. Must include proof of purchase or copy of original bill of sale when returning product for warranty service.

Please call Customer Satisfaction at 1-800-288-4545 to obtain a Return Authorization before shipping.

- For service in warranty, follow instructions set forth in warranty. When ordering new parts, make sure that you always mention the model number of the product.
- Call us on our toll free number, 1-800-288-4545 and tell us about your problem.
- If we instruct you to send all or part of your appliance to us for repair or replacement, our Customer Satisfaction representative will provide a Return Authorization number (this number notifies our receiving department to expedite your repair). Pack your unit carefully in a sturdy carton with sufficient padding to prevent damage because any damage caused in shipping is not covered by the warranty.
- Print your name, address and Return Authorization number on the carton.
- Write a letter explaining the problem. Include the following: your name, address and telephone number and a copy of the original bill of sale.
- Attach the sealed envelope containing the letter inside the carton. Insure the package for the value of the **NESCO**® appliance and ship prepaid to:

Attn: Factory Service Dept.  
The Metal Ware Corporation  
1700 Monroe Street  
Two Rivers, WI 54241



# NESCO®

## PROFESSIONAL

### Broyeur d'aliments électrique FG-400PR

#### Table des matières

MESURES DE PROTECTION IMPORTANTES .....	11
Apprenez à connaître votre broyeur d'aliments professionnel NESCO® .....	12
Directives d'assemblage .....	13
Directives d'utilisation .....	14
Façon de dégager les aliments bloqués.....	14
Directives de nettoyage.....	15
Conseils de broyage.....	15
Fabrication des saucisses .....	16
Directives de fabrication des saucisses .....	17
GARANTIE LIMITÉE D'UN (1) AN .....	18

NESCO® est une marque de commerce déposée de  
The Metal Ware Corporation.

The Metal Ware Corporation  
1700 Monroe St., P.O. Box 237  
Two Rivers, WI 54241  
Tél: (800) 288-4545

# MESURES DE PROTECTION IMPORTANTES

- Ce produit est conçu pour usage domestique seulement -

Lors de l'utilisation d'appareils électriques, on doit observer des mesures de sécurité de base en tout temps, dont les suivantes :

1. **LIRE TOUTES LES DIRECTIVES AVANT D'UTILISER L'APPAREIL.**

2. L'appareil est conçu pour usage domestique seulement. Il n'est pas destiné à des fins commerciales.

3. Aux fins de protection contre les chocs électriques, ne pas plonger l'appareil, y compris le cordon et la fiche, dans l'eau ou tout autre liquide.

4. Une surveillance étroite est nécessaire lorsque l'on utilise l'appareil près des enfants. L'utilisation de cet appareil par des enfants n'est pas recommandée.

5. Débrancher l'appareil de la prise de courant lorsqu'il n'est pas utilisé, avant de monter ou de démonter les pièces ainsi qu'avant le nettoyage.

6. Ne pas faire fonctionner d'appareil dont la fiche ou le cordon est endommagé, qui a subi une défaillance ou qui a été endommagé de quelque façon que ce soit. Retourner l'appareil à la division des services de l'usine NESCO® aux fins d'examen, de réparation ou d'ajustement.

7. Ne pas placer l'appareil dans un four chauffé, sur un brûleur à gaz ou électrique chaud, ni dans les environs.

8. N'utiliser que les accessoires recommandés par le fabricant.

9. Ne pas utiliser l'appareil à l'extérieur ou pour un usage autre que celui prévu.

10. Ne pas laisser le cordon suspendu sur le bord d'une table ou en contact avec des surfaces chaudes.

11. Ne pas faire fonctionner l'appareil de façon continue pendant plus de 15 minutes. Laisser l'appareil refroidir pendant 15 minutes avant de le faire fonctionner de nouveau.

12. Ne pas utiliser l'appareil pour broyer des aliments congelés/surgelés ou des os.

13. Faire fonctionner l'appareil uniquement quand toutes les pièces sont installées et serrées correctement.

14. Pour réduire le risque de blessures et de dommages à l'appareil, garder les mains, les cheveux, les vêtements et les ustensiles éloignés des pièces mobiles lors du fonctionnement.

15. NE JAMAIS alimenter l'appareil à la main; utiliser la TIGE-POUSSOIR.

16. Mettre l'appareil sur une surface de soutien plate et stable quand vient le temps de le faire fonctionner.

17. Retirer l'emballage et laver les pièces avant d'utiliser l'appareil pour la première fois.

18. N'utilisez pas les doigts pour érafler la nourriture à partir du disque de décharge tandis que l'appareil fonctionne. Le type dommages de coupe peut résulter.

## CONSERVER CES DIRECTIVES

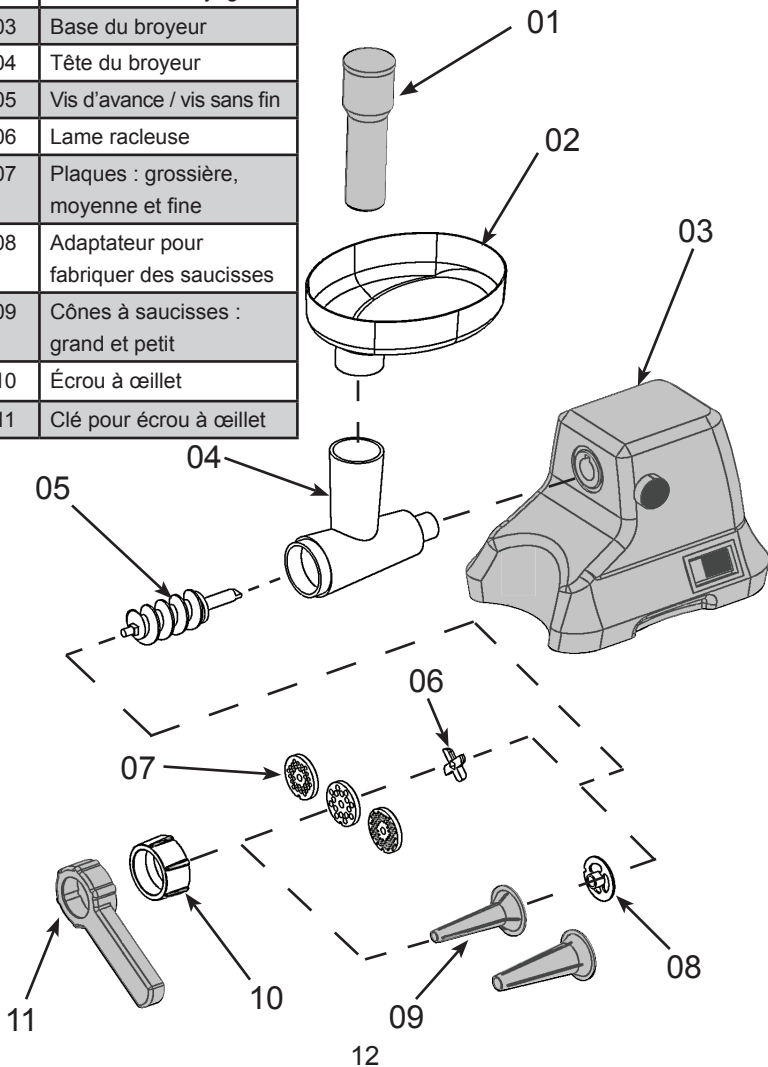
**Fiche polarisée :** Cet appareil possède une fiche polarisée (une branche est plus large que l'autre). Pour réduire le risque de choc électrique, la fiche est conçue pour entrer dans la prise polarisée d'une seule façon. Si la fiche n'entre pas correctement dans la prise, retourner la fiche. Si elle n'entre toujours pas correctement, communiquer avec un électricien qualifié. Ne pas tenter de modifier la fiche.

**Directives relatives au cordon court :** Un cordon d'alimentation court est fourni dans le but de réduire le risque de s'y empêtrer ou de trébucher. Des rallonges peuvent convenir si elles sont utilisées avec prudence. En cas d'utilisation d'une rallonge, les caractéristiques électriques indiquées sur le cordon doivent être au moins celles inscrites sur l'appareil. Le cordon long ne doit pas s'étendre d'un côté à l'autre du dessus de la table où les enfants pourraient le tirer ou quelqu'un pourrait trébucher involontairement.

## Apprenez à connaître votre broyeur d'aliments professionnel NESCO®

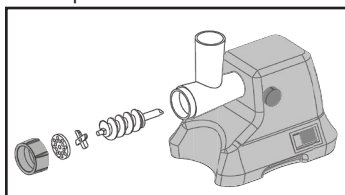
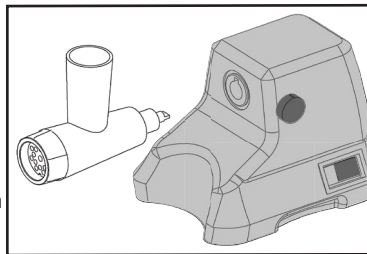
### Liste des pièces pour le broyeur d'aliments électrique FG-400PR

01	Tige-poussoir
02	Chambre de broyage
03	Base du broyeur
04	Tête du broyeur
05	Vis d'avance / vis sans fin
06	Lame racleuse
07	Plaques : grossière, moyenne et fine
08	Adaptateur pour fabriquer des saucisses
09	Cônes à saucisses : grand et petit
10	Écrou à œillet
11	Clé pour écrou à œillet



## Directives d'assemblage

1. Déballez l'appareil avec soin et examinez l'emballage pour s'assurer que toutes les pièces sont comprises (voir page 2)
2. Nettoyer les pièces avant de s'en servir.
3. Mettre l'appareil sur une surface plate et stable.
4. S'assurer que l'interrupteur est en position "ARRÊT" (O) et que le cordon d'alimentation n'est pas branché avant de monter l'appareil.
5. Tourner la vis de blocage plusieurs tours dans le sens inverse des aiguilles d'une montre. Insérer la tête du broyeur dans l'ouverture de la base jusqu'à ce qu'elle soit fixée et serrer la vis de blocage.
6. Insérer la vis d'avance dans la tête du broyeur, la longue tige d'extrémité en premier. Tourner légèrement jusqu'à l'ajustement complet dans la tête du broyeur.
7. Positionner la lame racleuse (le bord coupant face à l'extérieur de la plaque) dans la vis d'avance. S'assurer que la lame est posée sur l'épaulement "carré" de la vis d'avance ou la viande ne sera pas hachée correctement, ce qui peut endommager la plaque de coupe.



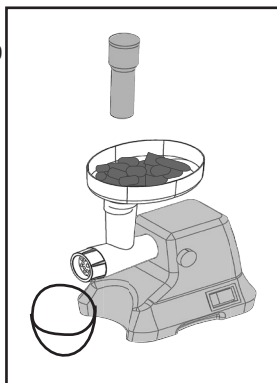
8. Mettre la plaque de coupe souhaitée sur l'extrémité de la vis d'avance et contre la lame. REMARQUE : S'assurer que "l'encoche" est alignée sur la "clé" de la tête du broyeur et posée contre la lame.
9. Enfiler l'écrou à œillet dans la tête du broyeur et tourner dans le sens des aiguilles d'une montre jusqu'à ce qu'il soit serré.
10. Mettre la chambre de broyage sur le dessus de la tête du broyeur. Utilisez l'écrou de blocage pour desserrer l'écrou après usage si nécessaire
11. Brancher dans une prise de 120 V et commencer à broyer.

## Une alimentation plus saine!

- Posséder votre propre broyeur d'aliments professionnel NESCO® vous permet de contrôler les ingrédients. Vous contrôlez la quantité de gras, de sel et d'autres additifs pour une alimentation plus saine. Des garnitures de sandwich avec de gros morceaux, des hors-d'œuvre savoureux, des soupes consistantes, des relishes, des saucisses maison, d'autres plats à base de viande... même les gâteaux sont faciles à préparer.
- Vous pouvez faire des saucisses à partir de n'importe quel aliment. La plupart des boucheries offrent des boyaux, que l'on achète frais, juste avant d'être prêt à broyer.
- Votre broyeur d'aliments NESCO® est conçu pour produire des quantités relativement petites. La viande doit être coupée en morceaux relativement petits et on doit retirer les nerfs et tendons qui, autrement, bloqueront la vis d'avance. En cas de blocage du broyeur, on peut facilement dégager l'orifice d'alimentation en appuyant sur le bouton REVERSE (sens inverse).

## Directives d'utilisation

1. Mettre l'appareil sur une surface de travail plate et stable. S'assurer que l'appareil est entièrement monté (voir Directives d'assemblage, page 3).
2. S'assurer que l'interrupteur est en position "ARRÊT" (O).
3. Insérer la fiche dans une prise de courant de 120 V standard, valeur nominale de 15 A minimum.
4. Mettre un grand bol peu profond ou une grande assiette peu profonde sous la tête du broyeur pour recevoir les aliments broyés.
5. Mettre l'interrupteur en position "MARCHÉ" (I). Toujours faire fonctionner l'appareil avant d'ajouter des aliments.
6. Couper les aliments en lanières ou en cubes légèrement plus petits que l'ouverture de la chambre de broyage.
7. Mettre les aliments dans la chambre de broyage et utiliser la tige-poussoir pour alimenter doucement la vis d'avance en aliments. Ne pas insérer les aliments de force dans la tête du broyeur et NE JAMAIS utiliser les doigts ou des outils autres que ceux recommandés par le fabricant de l'appareil pour alimenter la tête du broyeur en aliments.
8. Des aliments bloqués provoqueront le ralentissement ou l'arrêt du moteur. Voir les directives ci-dessous pour dégager les aliments bloqués. **IMPORTANT - NE JAMAIS METTRE VOS DOIGTS DANS L'OUVERTURE DE LA CHAMBRE DE BROUAGE PENDANT QUE L'APPAREIL EST EN MARCHÉ OU BRANCHÉ DANS UNE PRISE DE COURANT.**
9. Une fois le broyage terminé, mettre l'interrupteur en position "ARRÊT" (O), débrancher l'appareil de la prise de courant et suivre les directives de nettoyage.



## Façon de dégager les aliments bloqués

1. Si le moteur ralentit ou s'arrête, mettre l'interrupteur en position "ARRÊT" (O) immédiatement.
2. Mettre l'interrupteur en position REVERSE pendant plusieurs secondes pour dégager les aliments bloqués de la tête du broyeur.
3. Relâcher la position REVERSE et essayer de faire fonctionner l'appareil normalement.
4. Si le moteur ralentit ou s'arrête de nouveau, mettre l'interrupteur en position "ARRÊT" (O) et débrancher l'appareil de la prise de courant. Suivre les directives de nettoyage pour dégager complètement les aliments bloqués.



## Directives de nettoyage

1. Toujours débrancher l'appareil lorsqu'il n'est pas utilisé avant d'insérer ou de retirer des pièces et avant le nettoyage.
2. NE JAMAIS plonger la base de l'appareil dans l'eau ou d'autres liquides. Essuyer la base à l'aide d'un linge humide et d'un détergent doux. Ne pas utiliser de nettoyants forts ou abrasifs sur la base pour ne pas endommager le fini.
3. Laver toutes les pièces, sauf la base, avec de l'eau chaude savonneuse et mettre de côté pour sécher. Être prudent lors de la manipulation de la lame racleuse. REMARQUE : LES PIÈCES AMOVIBLES NE SONT PAS LAVABLES AU LAVE-VAISSELLE. Les détergents pour lave-vaisselle peuvent causer des piqûres de corrosion. Toujours laver à la main dans de l'eau savonneuse.
4. Enduire la lame et les plaques de coupe d'huile de cuisson après les avoir lavées et séchées. Envelopper de papier ingraissable ou d'un sac en plastique pour empêcher la corrosion (rouille).
5. Entreposer l'appareil dans un endroit sec.
6. Tout autre qui entretient devrait être exécuté par un personnel de service autorisé.

## Conseils de broyage

Lors de périodes d'utilisation intense, le gras de la viande peut s'accumuler à l'intérieur de la tête de la meule, provoquant ainsi de la résistance au moteur et le faisant ralentir. Dans de tels cas, arrêtez la meule et débranchez le cordon de la prise. Démontez la meule et nettoyez la tête de la meule et la vis d'alimentation.

**Plaque de coupe fine** - À utiliser pour obtenir une texture fine, comme pour les tartinades, les aliments pour bébés ou les hamburgers.

**Plaque de coupe moyenne** - À utiliser pour les viandes hachées pour soupes ou les relishes.

**Plaque de coupe grossière** - À utiliser pour obtenir une texture grossière, comme pour les noix, les légumes ou la viande hachée pour le chili.

**Viande crue et poisson** - Garder la viande froide. Si, après avoir coupé la viande en morceaux aux fins de broyage, elle s'est réchauffée un peu, la mettre au congélateur pendant 15 minutes pour la refroidir et la raffermir. Cette étape facilitera le broyage. Cette mesure s'applique aux autres étapes. Mieux vaut prévenir que guérir!

**Quand on broie de grandes quantités**, les gras peuvent s'accumuler dans la tête du broyeur. Dans ce cas, démonter l'appareil et laver les pièces dans de l'eau savonneuse, puis remonter l'appareil. Après avoir broyé de la viande, on peut nettoyer la vis d'avance en broyant une tranche de pain.

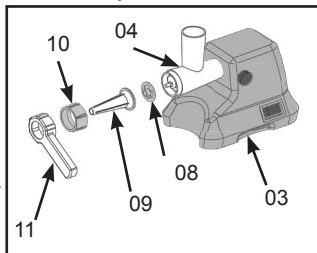
**Retirer les os**, tendons durs, coquilles de noix, etc. avant le broyage.

**Noix** - Utiliser la plaque de coupe grossière et alimenter lentement la tête du broyeur en noix. Dans la mesure du possible, alterner avec d'autres ingrédients, comme des fruits ou légumes séchés.

**Chapelure** - Pour de meilleurs résultats, utiliser du pain sec ou grillé. S'assurer que toutes les pièces sont exemptes d'humidité avant de commencer.

## Fabrication des saucisses

1. S'assurer que toutes les pièces ont été nettoyées et séchées avant de les assembler.
2. Monter la tête du broyeur sur la base. Fixer la tête du broyeur en tournant la vis de blocage dans le sens des aiguilles d'une montre jusqu'à ce qu'elle soit serrée. S'assurer que la tête du broyeur est bien ajustée dans la base avant de serrer la vis de blocage. REMARQUE : L'encoche sur la tête du broyeur s'aligne sur la clé de la base.



3. Insérer la vis d'avance dans la tête du broyeur, la longue tige d'extrémité en premier. Tourner légèrement jusqu'à l'ajustement complet dans la tête du broyeur.
4. Mettre l'adaptateur pour fabriquer des saucisses (08) et le cône à saucisses (09,10) à l'extrémité de la vis d'avance.
5. Insérer l'écrou à œillet à travers le cône à saucisses et l'enfiler dans l'extrémité de la tête du broyeur, puis tourner dans le sens des aiguilles d'une montre jusqu'à ce qu'il soit serré. Utiliser la clé fournie au besoin.
6. Insérer la chambre de broyage sur le dessus de la tête du broyeur.

## Conseils de fabrication des saucisses

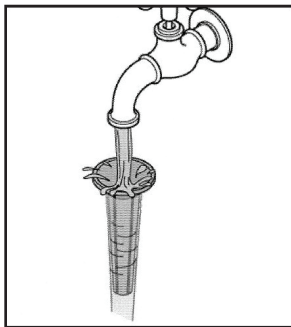
- Le soc de porc constitue un bon choix pour la viande à saucisse en raison du rapport viande/gras idéal.
- Une fois l'embossage (remplissage des saucisses) terminé, on peut nettoyer la vis d'avance en broyant une tranche de pain.
- L'embossage est d'autant plus facile lorsqu'il se fait à deux. Frotter du gras de porc sur le cône à saucisses permettra aux boyaux de glisser facilement. Piquer le boyau au moyen d'une épingle pour laisser l'air s'échapper lors de l'embossage.
- Les saucisses fraîches sont d'emblée périssables et se conservent de 3 à 4 jours au réfrigérateur ainsi que de 4 à 6 mois au congélateur.
- Avant de commencer l'embossage, insérer 2 doigts dans une extrémité du boyau pour ouvrir et séparer, puis tenir sous le robinet et laisser l'eau couler sur toute la longueur. Cette étape permet d'enlever une partie du sel ajouté lors de l'emballage. Si les boyaux ne sont pas bien nettoyés, les saucisses auront un goût beaucoup plus salé que lors de l'essai de l'assaisonnement.
- Le poids moyen d'un chapelet de saucisses fraîches de 20 cm est 170 grams.

## Directives de fabrication des saucisses

1. Les boyaux (naturels ou synthétiques) sont en vente dans certaines épicereries et la plupart des boucheries, des abattoirs et des fournisseurs de boucheries. Les boucheries locales ou grands supermarchés qui fabriquent leurs propres saucisses ont plus de chances d'en avoir en magasin.
2. Les viandes doivent être hachées grossièrement et assaisonnées avant de fabriquer des chapelets de saucisses.
3. Choisir le cône à saucisses selon la taille des boyaux utilisés.
4. Avant de commencer l'embossage, insérer 2 doigts dans une extrémité du boyau pour ouvrir et séparer, puis tenir sous le robinet et laisser l'eau couler sur toute la longueur. Cette étape permet d'enlever une partie du sel ajouté lors de l'emballage.

### Remplissage des boyaux:

1. Rassembler tout le boyau sur le cône à saucisses, sauf pour les 10 derniers centimètres.
2. Mettre la viande assaisonnée dans la chambre de broyage et mettre l'interrupteur en position "MARCHE" (I).
3. Utiliser la tige-poussoir pour pousser la viande assaisonnée dans la tête du broyeur. Le mélange poussé dans le broyeur remplira le boyau. REMARQUE : Ne pas trop remplir le boyau, étant donné que certaines saucisses gonflent lors de la cuisson.
4. Quand le boyau commence à se remplir, attacher l'extrémité à l'aide d'une corde.
5. Distribuer la viande dans le boyau et entortiller en chapelet pendant le remplissage pour obtenir la taille et la forme souhaitées.
6. Une fois terminé ou que le boyau est plein, mettre l'interrupteur en position "ARRÊT" (O).
7. Débrancher l'appareil de la prise de courant et le nettoyer à fond en respectant les directives de nettoyage du présent guide.



## GARANTIE LIMITÉE D'UN (1) AN

Le présent appareil est garanti pendant un an suivant la date de l'achat initial contre les défauts de matériau ou de fabrication. La présente garantie ne couvre pas les dommages causés par le transport, l'usage abusif, les accidents ou incidents semblables. La présente garantie vous confère des droits juridiques précis et vous pouvez disposer d'autres droits, qui peuvent varier selon l'État ou la province. Ce produit est conçu pour usage domestique seulement et n'est pas destiné à des fins commerciales. La garantie ne couvre pas l'usage commercial.

Votre nouvel appareil NESCO® est équipé de nombreuses caractéristiques de sécurité. Toute tentative d'entrave au fonctionnement de ces dispositifs de sécurité rend la présente garantie nulle et sans effet. En cas de réception d'un appareil aux fins de réparation ayant été trafiqué, nous nous réservons le droit de le remettre dans son état d'origine et de facturer la réparation au client.

Pour une réparation en vertu de la garantie - Veuillez retourner les produits défectueux, par courrier affranchi, avec une description du défaut à l'adresse suivante : The Metal Ware Corporation, 1700 Monroe Street, Two Rivers, Wisconsin 54241, pour une réparation ou un remplacement sans frais à notre choix. Veuillez inclure une preuve d'achat ou une copie de la facture originale lors du retour d'un produit aux fins de réparation en vertu de la garantie.

Appelez le service de satisfaction du client au 1-800-288-4545 pour obtenir une autorisation de retour avant d'expédier le produit.

- Pour une réparation en vertu de la garantie, suivez les directives indiquées dans la garantie. Lors de la commande de nouvelles pièces, assurez-vous de toujours mentionner le numéro de modèle du produit.
- Appelez-nous au numéro sans frais 1-800-288-4545 pour nous faire part du problème.
- Si nous vous indiquons de nous envoyer votre appareil en tout ou en partie aux fins de réparation ou de remplacement, notre représentant de la satisfaction du client vous fournira un numéro d'autorisation de retour (ce numéro avise notre service de la réception d'accélérer votre réparation). Emballez votre appareil avec soin dans une boîte robuste avec une quantité suffisante de rembourrage, étant donné que les dommages causés lors de l'expédition ne sont pas couverts par la garantie.
- Inscrivez vos nom, adresse et numéro d'autorisation de retour en caractères d'imprimerie sur la boîte.
- Rédigez une lettre expliquant le problème. Veuillez inclure les éléments suivants : vos nom, adresse et numéro de téléphone, ainsi qu'une copie de la facture originale.
- Mettez l'enveloppe scellée à l'intérieur de la boîte. Assurez le colis pour la valeur de l'appareil NESCO® et envoyez-le port payé à l'adresse suivante:

Attn: Factory Service Dept.  
The Metal Ware Corporation  
1700 Monroe Street  
Two Rivers, WI 54241





1-800-288-4545

**NESCO<sup>®</sup>**  
**PROFESSIONAL**

website: [www.nesco.com](http://www.nesco.com)

## Free Manuals Download Website

<http://myh66.com>

<http://usermanuals.us>

<http://www.somanuals.com>

<http://www.4manuals.cc>

<http://www.manual-lib.com>

<http://www.404manual.com>

<http://www.luxmanual.com>

<http://aubethermostatmanual.com>

Golf course search by state

<http://golfingnear.com>

Email search by domain

<http://emailbydomain.com>

Auto manuals search

<http://auto.somanuals.com>

TV manuals search

<http://tv.somanuals.com>