

INSTALLER: THESE INSTRUCTIONS MUST BE CONVEYED TO AND REMAIN WITH THE HOMEOWNER.

CERTIFIED UNDER CANADIAN AND AMERICAN NATIONAL STANDARDS, CR97-003, CAN1-2.21-M85, IAS U.S. 4-96.



QUALITY FIREPLACES

Award Winning Products

OUTDOOR GAS APPLIANCE

**INSTALLATION AND OPERATION INSTRUCTIONS FOR
OUTDOOR GAS FIREPLACE**

NATURAL GAS *MODEL GSS36N*

PROPANE GAS *MODEL GSS36P*

CERTIFIED FOR CANADA AND UNITED STATES USING ANSI / CSA METHODS

WARNING: If the information in these instructions is not followed exactly, a fire or explosion may result causing property damage, personal injury or death.

FOR YOUR SAFETY

Do not store or use gasoline or other flammable vapours and liquids in the vicinity of this or any other appliance.

WHAT TO DO IF YOU SMELL GAS:

- Do not try to light any appliance.
- Do not touch any electrical switch.
- Close propane bottle or shut-off gas supply.
- Do not use any phone in your building or near the appliance.
- Immediately call your gas supplier from a neighbour's phone. Follow the gas supplier's instructions.
- If you cannot reach your gas supplier, call the fire department.

Installation and service must be performed by a qualified installer, service agency or the gas supplier.

THIS FIREPLACE MUST BE INSTALLED OUTSIDE.



APPLY SERIAL NUMBER LABEL FROM CARTON



Serial No. XXXXXX000000
MODEL NO.

Wolf Steel Ltd., 24 Napoleon Rd., Barrie, ON L4M 4Y8 Canada • (705)721-1212 • fax(705)722-6031

www.napoleonfireplaces.com • ask@napoleon.on.ca

W415-0369 / E / 02.16.07

TABLE of CONTENTS

PG 3-4 INTRODUCTION

Warranty
General Instructions
General Information

5-6 INSTALLATION

Gas Installation
Combustion and Ventilation Air Provisions
Clearance to Combustibles
Framing
Mantle Clearances
Nailing Tab Installation

7-8 FINISHING

Log Placement
Curtain Mesh
Hood Installation
Logo Placement
Louvre Installation

9 OPERATION / MAINTENANCE

Operating Instructions
Maintenance
Venturi Adjustment

10 REPLACEMENTS

Ordering Replacement Parts
Replacement Parts

11-12 TROUBLE SHOOTING GUIDE

PLEASE RETAIN THIS MANUAL FOR FUTURE REFERENCE

WARNING

- Under no circumstances should this fireplace be modified.
- Provide adequate ventilation and combustion air. Provide adequate accessibility clearance for servicing and operating the fireplace. Never obstruct the front opening of the fireplace.
- If fireplace keeps shutting off, have it serviced. Keep burner and control compartment clean.
- Do not burn wood or other materials in this fireplace.
- Adults and especially children should be alerted to the hazards of high surface temperatures and should stay away to avoid burns or clothing ignition. Keep young children and animals away when the fireplace is hot.
- Clothing or other flammable material should not be placed on or near the fireplace.
- Any safety screen or guard removed for servicing must be replaced prior to operating the fireplace.
- It is imperative that the control compartments, burners and circulating air passageways in the fireplace are kept clean. The fireplace should be inspected before use and at least annually by a qualified service person. The fireplace area must be kept clear and free from combustible materials, gasoline and other flammable vapours and liquids.
- Furniture or other objects must be kept a minimum of 4 feet away from the front of the fireplace.
- Do not use this fireplace if any part has been under water. Immediately call a qualified service technician to inspect the fireplace and to replace any part of the control system and any gas control which has been under water.
- Do not allow wind to blow directly into the fireplace. Avoid any drafts that alter burner flame patterns.
- Do not use any accessory not approved for use with this fireplace.

**ANY CHANGE TO THIS FIREPLACE OR ITS CONTROLS CAN BE DANGEROUS
AND IS PROHIBITED.**

NOTE: Changes, other than editorial, are denoted by a vertical line in the margin.

NAPOLEON® gas appliances are manufactured under the strict Standard of the world recognized ISO 9001 : 2000 Quality Assurance Certificate.

NAPOLEON® products are designed with superior components and materials, assembled by trained craftsmen who take great pride in their work. The burner and valve assembly are leak and test-fired at a quality test station. Once assembled the complete appliance is thoroughly inspected by a qualified technician before packaging to ensure that you, the customer, receives the quality product that you expect from NAPOLEON®.

NAPOLEON® GAS APPLIANCE 5 YEAR LIMITED WARRANTY

All stainless steel components of your new NAPOLEON® gas appliance are warranted against defects for five years.

All parts such as gas valves, logs, gasketing are covered and NAPOLEON® will provide replacement parts free of charge during the first year of the limited warranty.

Labour related to warranty repair is covered free of charge during the first year. Repair work, however, requires the prior approval of an authorized company official. Labour costs to the account of NAPOLEON® are based on a predetermined rate schedule and any repair work must be done through an authorized NAPOLEON® dealer.

CONDITIONS AND LIMITATIONS

NAPOLEON® warrants its products against manufacturing defects to the original purchaser only -- i.e., the individual or legal entity (registered customer) whose name appears on the warranty registration card filed with NAPOLEON® -- provided that the purchase was made through an authorized NAPOLEON® dealer and is subject to the following conditions and limitations:

This limited warranty applies only while the unit remains at the site of original installation, and only if the unit is installed in Canada or the United States.

This factory warranty is nontransferable and may not be extended whatsoever by any of our representatives.

Installation must be done in accordance with the installation instructions included with the product and all local and national building and fire codes.

This limited warranty does not cover damages caused by misuse, lack of maintenance, accident, alterations, abuse or neglect and parts installed from other manufacturers will nullify this warranty.

This limited warranty further does not cover any scratches, dents, corrosion or discolouring caused by excessive heat, abrasive and chemical cleaners, mechanical breakage of logs and embers.

In the first year only, this warranty extends to the repair or replacement of warranted parts which are defective in material or workmanship provided that the product has been operated in accordance with the operation instructions and under normal conditions.

After the first year, with respect to this Limited Warranty, NAPOLEON® may, at its discretion, fully discharge all obligations with respect to this warranty by refunding to the original warranted purchaser the wholesale price of any warranted but defective part(s).

After the first year, NAPOLEON® will not be responsible for installation, labour or any other costs or expenses related to the reinstallation of a warranted part, and such expenses are not covered by this warranty.

Notwithstanding any provisions contained in this Limited Warranty, NAPOLEON'S responsibility under this warranty is defined as above and it shall not in any event extend to any incidental, consequential or indirect damages.

This warranty defines the obligations and liability of NAPOLEON® with respect to the NAPOLEON® gas appliance and any other warranties expressed or implied with respect to this product, its components or accessories are excluded.

This limited warranty does not cover damages resulting from the use of components not supplied with the appliance, or the use of fuel other than those specified.

Any damages to appliance due to weather, long periods of dampness, condensation, damaging chemicals or cleaners will not be the responsibility of NAPOLEON®.

The bill of sale or copy will be required together with a serial number and a model number when making any warranty claims from your authorized dealer. The warranty registration card must be returned within fourteen days to register the warranty.

NAPOLEON® reserves the right to have its representative inspect any product or part thereof prior to honouring any warranty claim.

GENERAL INSTRUCTIONS

THIS GAS FIREPLACE SHOULD BE INSTALLED AND SERVICED BY A QUALIFIED INSTALLER to conform with local codes. Installation practices vary from region to region and it is important to know the specifics that apply to your area.

Installation practices vary from region to region and it is important to know the specifics that apply to your area, for example: in Massachusetts State:

- The appliance off valve must be a "T" handle gas cock.
- The flexible connector must not be longer than 36 inches.
- The appliance is not approved for installation in a bedroom or bathroom unless the unit is a direct vent sealed combustion product.
- **WARNING:** This product must be installed by a licensed plumber or gas fitter when installed within the commonwealth of Massachusetts.
- Un-vented room heater shall be installed in accordance with 527 CMR 30.00 and 248 CMR 3.00 through 7.00.

Sellers of un-vented propane or natural gas-fired space/room heaters shall provide to each purchaser a copy of 527 CMR 30.00 upon the sale of the unit from

http://www.napoleonfireplaces.com/Webshare/installation_manuals/mass_requirements.pdf

- A carbon monoxide detector is required in all rooms containing gas fired appliances.

The installation must conform with Local codes or in the absence of local codes, with the National Fuel Gas Code ANSI Z223.1/INFPA 54 in the United States or CSA B149.1, Natural and Propane Installation code in Canada.

The fireplace and its individual shutoff valve must be disconnected from the gas supply piping system during any pressure testing of that system at test pressures in excess of 1/2 psig (3.5 kPa). The fireplace must be isolated from the gas supply piping system by closing its individual manual shutoff valve during any pressure testing of the gas supply piping system at test pressures equal to or less than 1/2 psig (3.5 kPa).

When the fireplace is installed directly on combustible material other than wood flooring, the fireplace shall be installed on a metal or wood panel extending the full width and depth.

GENERAL INFORMATION

FOR YOUR SATISFACTION, THIS FIREPLACE HAS BEEN TEST-FIRED TO ASSURE ITS OPERATION AND QUALITY! Maximum input is 40,000 BTU/hr for natural gas and propane. When the fireplace is installed at elevations above 2,000ft, and in the absence of specific recommendations from the local authority having jurisdiction, the certified high altitude input rating shall be reduced at the rate of 4% for each additional 1,000ft.

It is highly recommended to protect the logs from moisture (rain, snow). Cover the firebox when not in use.

This fireplace is only for use with the type of gas indicated on the rating plate. This fireplace is not convertible for use with other gases, unless a certified kit is used.

Minimum inlet gas supply pressure is 4.5 inches water column for natural gas and 11 inches water column for propane. Maximum inlet gas pressure is 7 inches water column for natural gas and 13 inches water column for propane. Manifold pressure under flow conditions is 3.5 inches water column for natural gas and 10 inches water column for propane.

No external electricity (110 volts or 24 volts) is required for the gas system operation.

Expansion / contraction noises during heating up and cooling down cycles are normal and are to be expected.

Use only accessories designed for and listed with your specific fireplace.



We recommend that our gas hearth products be installed and serviced by professionals who are certified in the U.S. by the National Fireplace Institute® (NFI) as NFI Gas Specialists.

DIMENSIONS

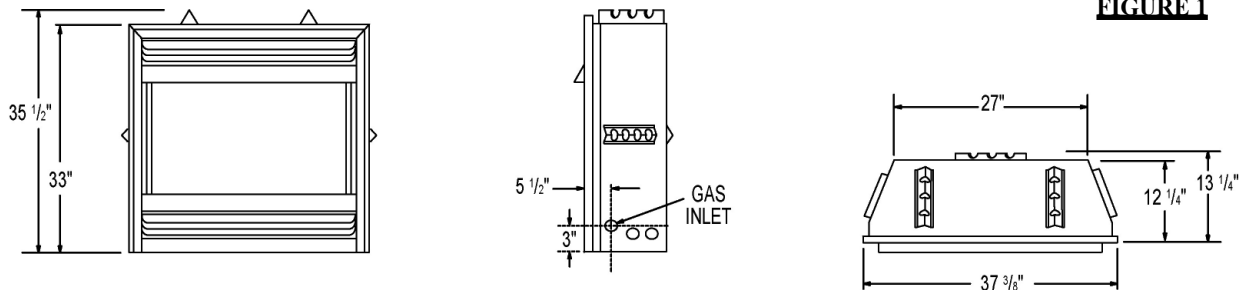


FIGURE 1

INSTALLATION

GAS INSTALLATION

NOTE: If the unit is installed using a propane cylinder as a source of fuel, the cylinder must be retained. A stand for a standard 20lb cylinder is available from your NAPOLEON® Dealer.

1. Move the fireplace into position and secure using the nailing tabs and/or secure to the floor through the 1/4" Ø holes located at either end of the base.

2. Install rigid black pipe, 1/2" type-L copper tubing or, if local codes permit, a 3/8" flex connector and shutoff valve to the gas line and the fireplace gas valve. Seal and tighten securely. An adapter fitting is required between the gas valve and the copper tubing or flex connector.

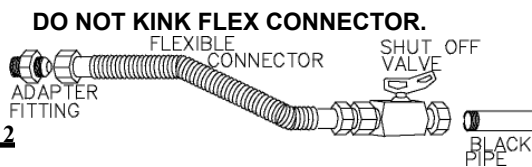


FIGURE 2

3. Check for gas leaks by brushing on a soap and water solution.

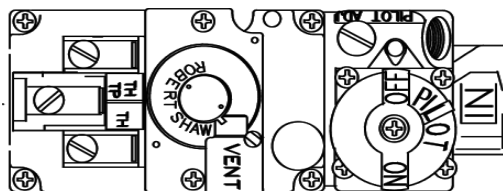
DO NOT USE OPEN FLAME.

4. For ease of accessibility, an optional remote wall switch may be installed in a convenient location. Route a 2 strand, solid core millivolt wire through the electrical hole located at the bottom left side of the unit. The recommended maximum lead length depends on wire size:

WIRE SIZE	MAX. LENGTH
14gauge	100 feet
16gauge	60 feet
18gauge	40 feet

Attach the two leads to terminals 1 and 3 located on the gas valve.

FIGURE 3



Do not connect either the wall switch, thermostat or gas valve to electricity (110 volts).

COMBUSTION & VENTILATION AIR

This fireplace is intended for installation on an outdoor patio or in your yard. It must never be installed inside the warm air envelope of your structure.

It is highly recommended that this fireplace be installed in a "sheltered" area. Direct wind will cause an erratic flame and possible pilot or main burner outage.

An erratic flame could also lead to excessive carboning (black soot), this condition is not a safety issue but is visually undesirable.

Typical installation may include covered patio, screened porch, gazebo or an outside the wall of a house.*

NOTE: Ensure the area has adequate ventilation.

FIGURE 4



CLEARANCE TO COMBUSTIBLES

Sides, back, bottom & top	0 inches
Recessed	13¾ inches
Top of unit to ceiling	48"

It is recommended that the walls of the fireplace enclosure be finished. This would ensure that clearance to combustibles is maintained within the cavity.

*** If installing a propane fireplace the propane cylinder must always be on the exterior of such a structure.**

FRAMING

It is best to frame your fireplace after it is positioned. Use 2x4's and frame to local building codes. **FIGURE 4-6.**

FIGURE 5

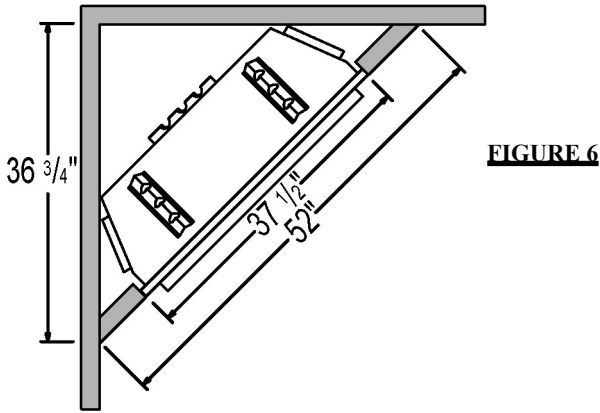
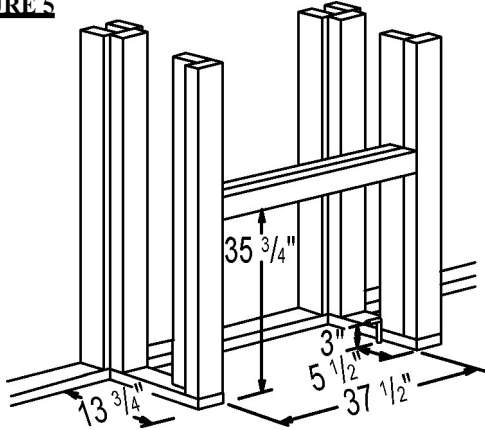


FIGURE 6

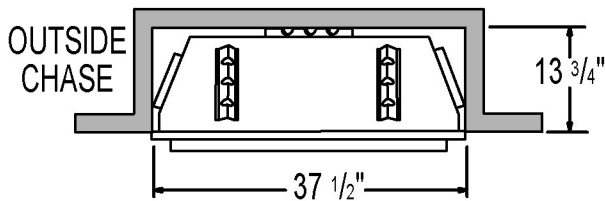
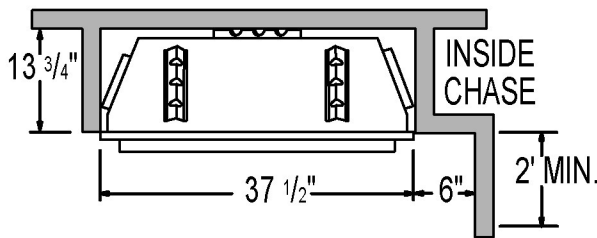


FIGURE 7



Combustible materials may be installed flush with the front of the fireplace but must not cover any of the outer frame face-areas of the fireplace. Non-combustible material (brick, stone or ceramic tile) may protrude in these areas.

It is not necessary to install a hearth extension with this fireplace system.

When roughing in the fireplace, raise the fireplace to accommodate for the thickness of the finished floor materials, i.e. tile, carpeting, hard wood, which if not planned for will interfere with the opening of the lower access door and the installation of many decorative flashing accessories.

Objects placed in front of the fireplace should be kept a minimum of 4 feet away from the front face.

MANTLE CLEARANCES

Combustible mantle clearance can vary according to the mantle depth. Use the graph to help evaluate the clearance needed.

FIGURE 8a-b

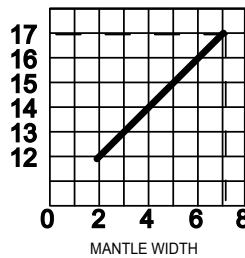
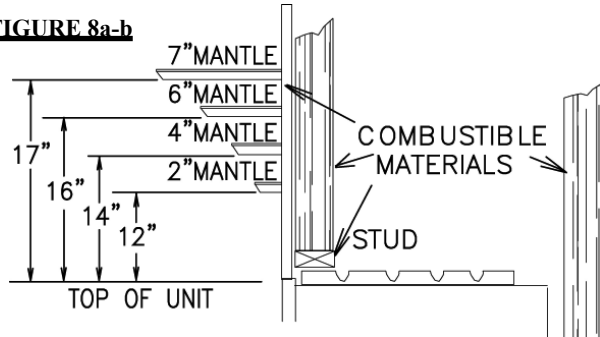


FIGURE 9

NAILING TAB INSTALLATION

To install the fireplace face flush with the finished surface, position the framework to accommodate the thickness of the finished surface. Bend out the four nailing tabs, attached on either side of the fireplace and secure to the 2x4 framing. The tabs will facilitate the installation of either a 3/4" or a 1" finished surface thickness. *The nailing tabs must not be removed.*



FIGURE 10

FINISHING

LOG PLACEMENT

PHAZER™ logs are exclusive to **NAPOLEON®** Fireplaces, and provide a unique and realistic glowing effect that is different in every installation.

Log colours may vary. During the initial use of the fireplace, the colours will become more uniform as colour pigments burn in during the heat activated curing process.

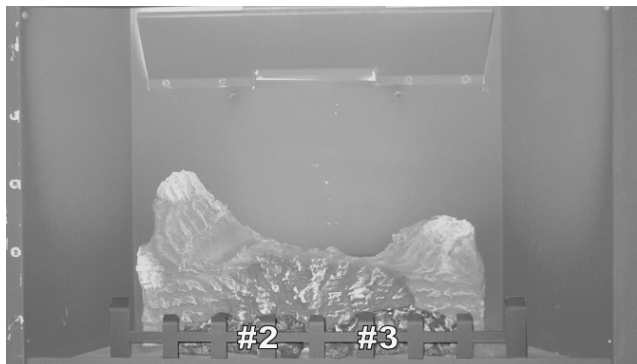
FIGURE 11a-d



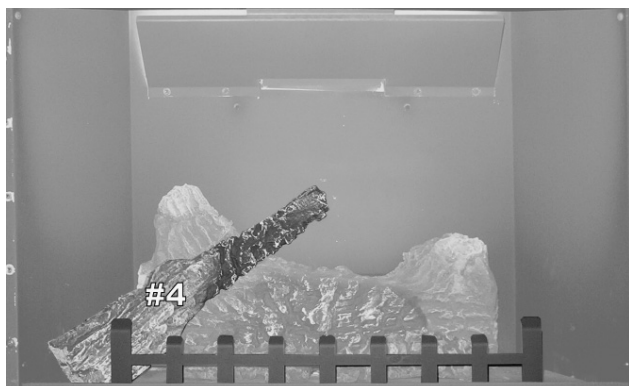
SIDEVIEW



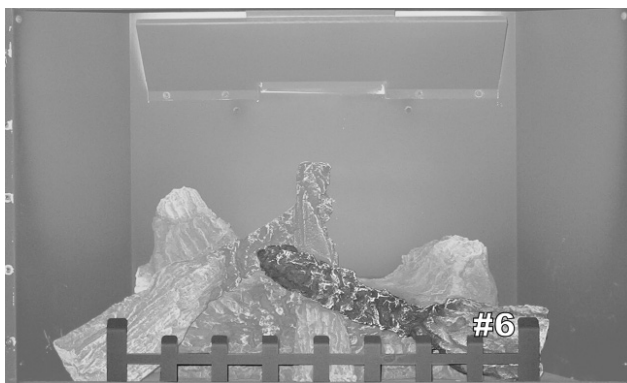
1. Place the back log (#1) onto the log support tray and in front of the tabs. The tabs maintain an air space between the log and firebox back to facilitate combustion air flow. Ensure that the back of the log rests against the brackets on the back wall of the firebox.



2. Move the two small logs (#2 & #3) into position, lining up the studs located on the burner with the holes on the bottom of the logs. Ensure that the small logs sit flat on the burner.



3. Place the bottom of the left crossover log (#4) against the left firebox side and pulled forward to the grate. The top of the log should rest in the pocket on the back log.



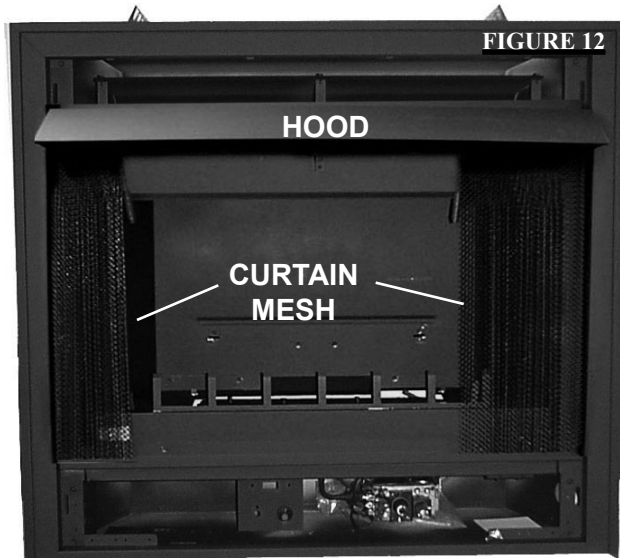
4. Position the notch located on the end of the center log (#5) against the middle grate post with the other end of the log resting in the pocket of the left crossover log.

5. Place the bottom of the right crossover log (#6) against the right firebox side and pulled forward to the grate. The top of the log should rest in the pocket provided on the center log (#5).

Blocked burner ports can cause an incorrect flame pattern, carbon deposits and delayed ignition. **PHAZER™** logs glow when exposed to direct flame. **PHAZER™** logs available from your **NAPOLEON®** dealer.

IMPORTANT

IT IS HIGHLY RECOMMENDED TO PROTECT THE LOGS FROM MOISTURE. COVER THE FIREBOX WHEN NOT IN USE.

HOOD

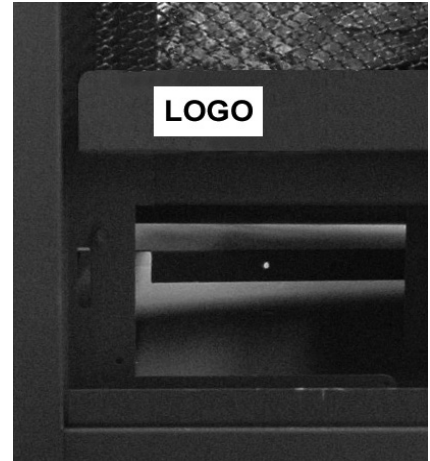
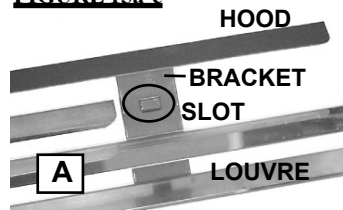
The curtain mesh must be kept fully closed during operation to help prevent accidental burns from occurring.



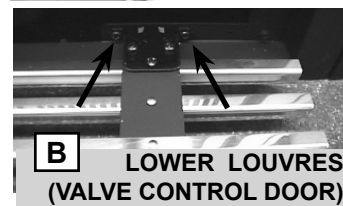
The heater must not be used when the hood is removed. Hook the hood over the lip of the curtain support plate.

LOGO PLACEMENT

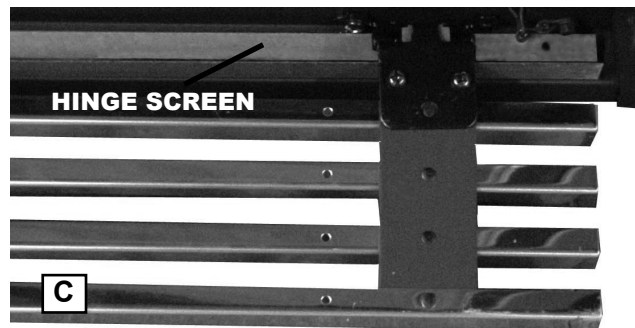
Remove the backing of the logo supplied and place on the screen cover, as indicated.

**LOUVRE INSTALLATION****FIGURE 15a-c**

UPPER LOUVRES: Insert the upper louvres into the slots on both brackets. Press the top flange of the hood into the four clips located along the top of the unit as shown.



LOWER LOUVRES: Attach each hinge to the firebox with 2 screws.



HINGE SCREEN: Position the hinge screen into place and with the control door open, secure to the firebox using three screws.

OPERATION / MAINTENANCE

If heater keeps shutting off, have it serviced. Keep burner and control compartment clean.

When lit for the first time, the fireplace will emit a slight odour for a few hours. This is a normal temporary condition caused by the curing of the logs and the "burn-in" of internal paints and lubricants used in the manufacturing process and will not occur again.

After extended periods of non-operation such as following a vacation or a warm weather season, the fireplace may emit a slight odour for a few hours. This is caused by dust particles burning off.

FOR YOUR SAFETY READ BEFORE LIGHT-

- A.** This fireplace is equipped with a pilot which must be lit by hand while following these instructions exactly.
- B.** Before operating smell all around the fireplace area for gas and next to the floor because some gas is heavier than air and will settle on the floor.
- C.** Use only your hand to turn the gas control knob / manual shut-off knob. Never use tools. If the knob will not turn by hand, do not try to repair it. Call a qualified service technician. Force or attempted repair may result in a fire or explosion.
- D.** Do not use this fireplace if any part has been under water. Immediately call a qualified service technician to inspect the fireplace and replace any part of the control system and any gas control which has been under water.

WHAT TO DO IF YOU SMELL GAS

- Do not use a mobile or land phone.
- If you cannot reach your gas supplier, call the fire department.
- Turn off all gas to the fireplace.
- Do not try to light any appliance.
- Immediately call your gas supplier from a neighbour's phone. Follow the gas supplier's instructions.

MAINTENANCE




CAUTION: Label all wires prior to disconnection when servicing controls. Wiring errors can cause improper and dangerous operation. Verify proper operation after servicing. This heater should be inspected and serviced before use and at least annually by a qualified service person. The fireplace area must be kept clear and free of combustible materials, gasoline or other flammable vapours and liquids. The flow of combustion and ventilation air must not be obstructed.

- 2.** Keep the control compartment, logs, burner, air shutter opening and the area surrounding the logs clean by vacuuming or brushing, *at least once a year*.
- 3.** Check to see that all burner ports are burning. Clean out any of the ports which may not be burning or are not burning properly.
- 4.** Check to see that the pilot flame is large enough to engulf the thermocouple and thermopile and promptly ignites the main burner.
- 6.** Check to see that the main burner ignites completely on all openings when the gas knob for the burner is turned on. A 5 to 10 second total light-up period is satisfactory. If ignition takes longer, consult your NAPOLEON® dealer / distributor.


Cleaning Stainless Steel: Do not use abrasive cleaners to clean any painted, porcelain or stainless steel parts. To clean stainless surfaces, use a stainless steel cleaner or a non-abrasive cleaner. Always wipe in the direction of the grain.

LIGHTING INSTRUCTIONS

When lighting and re-lighting, the gas knob cannot be turned from pilot to off unless the knob is depressed.

- 1. Stop!** Read the safety information on the operating label.
- 2.** Turn the gas knob clockwise  to off.
- 3.** Wait five (5) minutes to clear out any gas. If you smell gas including near the floor, **stop!** Follow "b" on the operating label. If you don't smell gas go to the next step.
- 4.** If fireplace is equipped with flame adjustment valve turn clockwise to off.
- 5.** Find pilot located in front of back log.
- 6.** Turn gas knob counter-clockwise  to pilot.
- 7.** Depress and hold gas knob while lighting the pilot with the push button igniter. Keep knob fully depressed for one minute, then release. If pilot does not continue to burn repeat steps 3 through 7.
- 8.** With pilot lit, turn gas knob counter-clockwise  to on.
- 9.** If equipped with flame adjustment valve, push and turn knob to high.
- 10.** If equipped with remote on-off switch, main burner may not come on when you turn the valve to on or high. Remote switch must be in the on position to ignite burner.

TO TURN OFF GAS

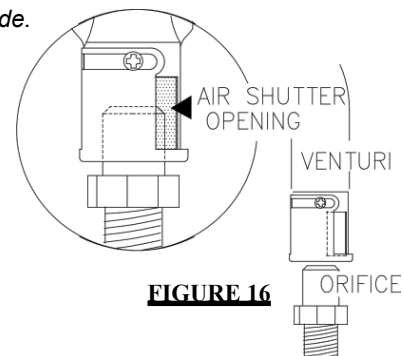
- Push in gas control knob slightly and turn clockwise  to off. Do not force.

Do not use steel wool, as it will scratch the finish. Stainless steel parts will discolour when heated, usually to a golden or brown colour. This discolouration is normal and will not affect the performance of the appliance.

VENTURI ADJUSTMENT

Air shutter adjustment must only be done by a qualified gas installer!

Closing the air shutter will cause a more yellow flame, but can lead to carboning. Opening the air shutter will cause a more blue flame, but can cause flame lifting from the burner ports. The flame may not appear yellow immediately; allow 15 to 30 minutes for the final flame colour to be established. Opening the air shutter will also reduce exhaust odours. See *Trouble Shooting Guide*.



AIR SHUTTER OPENINGS	
NG	3/16"
LP	1/4"

FIGURE 16

W415-0369 / E / 02.16.07

REPLACEMENTS

Contact your dealer for questions concerning prices and policies on replacement parts. Normally all parts can be ordered through your NAPOLEON® dealer or distributor.

When ordering replacement parts always give the following information:

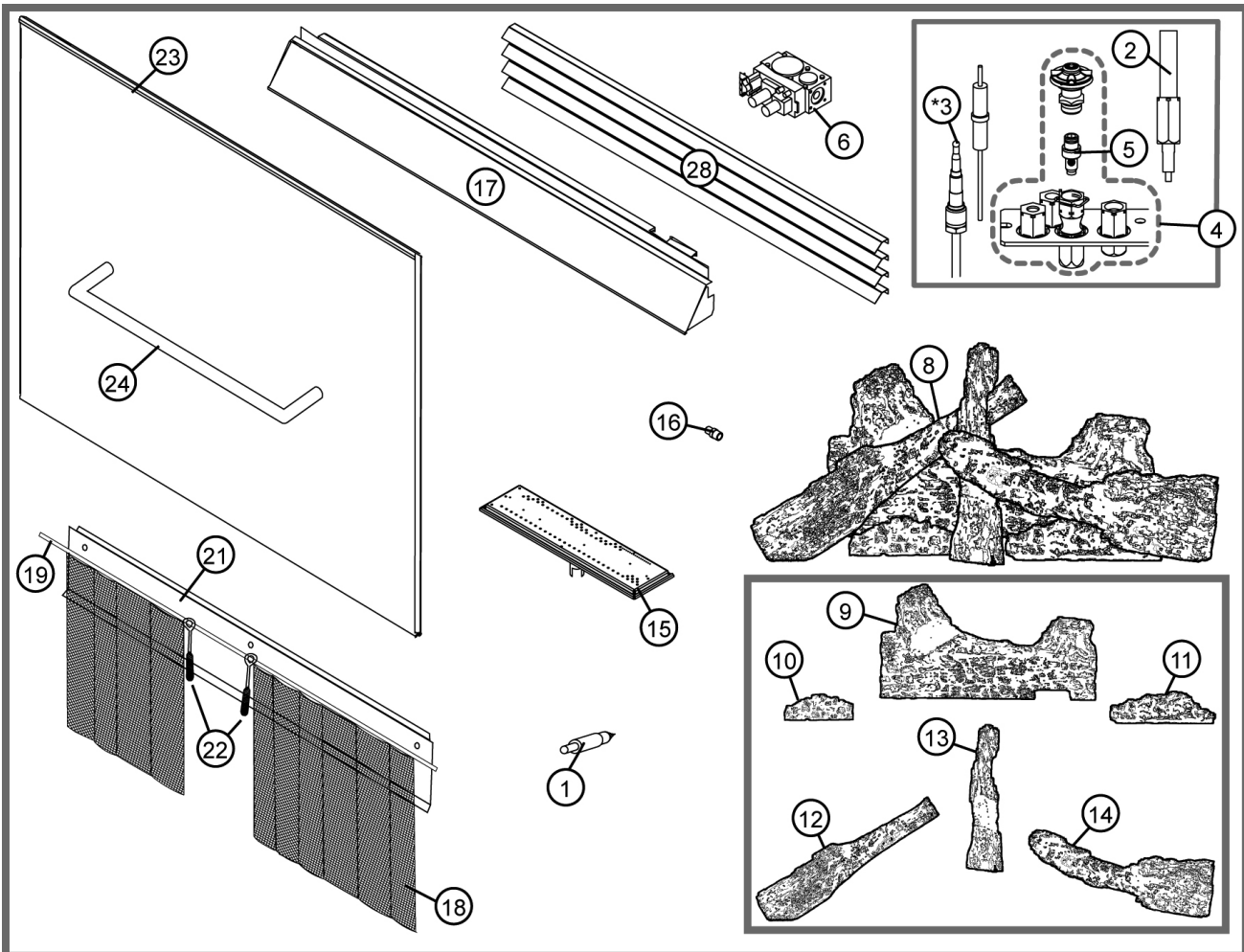
1. MODEL & SERIAL NUMBER OF FIREPLACE
2. INSTALLATION DATE OF FIREPLACE
3. PART NUMBER
4. DESCRIPTION OF PART
5. FINISH

FOR WARRANTY REPLACEMENT PARTS, A PHOTOCOPY OF THE ORIGINAL INVOICE WILL BE REQUIRED TO HONOUR THE CLAIM.

*** IDENTIFIES ITEMS WHICH ARE NOT ILLUSTRATED. FOR FURTHER INFORMATION, CONTACT YOUR NAPOLEON® DEALER.**

REPLACEMENT PARTS

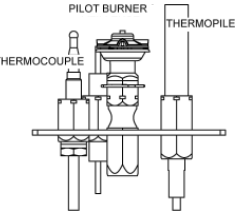
#	PART NO.	DESCRIPTION
1	W357-0001	PIEZO IGNITER
2	W680-0004	THERMOPILE
3	**W680-0005	THERMOCOUPLE
4	W010-0800	NATURAL GAS PILOT ASSEMBLY
4	W010-0801	PROPANE GAS PILOT ASSEMBLY
5	W455-0069	NATURAL GAS PILOT INJECTOR
5	W455-0067	PROPANE GAS PILOT INJECTOR
6	W725-0028	NATURAL GAS VALVE
6	W725-0029	PROPANE GAS VALVE
7*	W385-0334	NAPOLEON® LOGO
8	GL-639OD	LOG SET
9	W135-0183OD	BACK LOG (#1)
10	W135-0184OD	LEFT MIDDLE LOG (#2)
11	W135-0185OD	RIGHT MIDDLE LOG (#3)
12	W135-0186OD	LEFT CROSSOVER LOG (#4)
13	W135-0187OD	MIDDLE CROSSOVER LOG (#5)
14	W135-0188OD	RIGHT CROSSOVER LOG (#6)
15	W010-1066	PAN BURNER
16	W455-0078	#31 NATURAL GAS BURNER ORIFICE
16	W455-0042	#49 PROPANE GAS BURNER ORIFICE
17	W335-0033	HOOD
18	W565-0062	CURTAIN MESH
19	W555-0040	CURTAIN ROD
20*	W080-0614	CURTAIN ROD BRACKET
21	W500-0209	CURTAIN SUPPORT PLATE
22	W630-0010	BLACK TASSELS
23	W200-0135	FIREBOX COVER
24	N325-0036	COVER HANDLE
25*	W660-0005	SWITCH
26*	W750-0109	3/16" FLAG WIRE ASSEMBLY
27*	W750-0110	1/4" FLAG WIRE ASSEMBLY
28	GVFLSS	LOUVRE KIT - STAINLESS STEEL

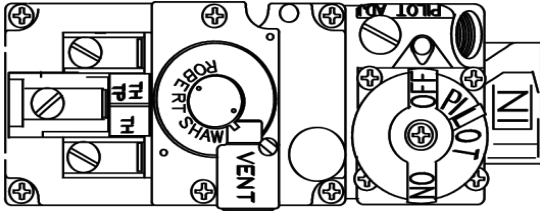


W415-0369 / E / 02.16.07

**** WARNING: This is a fast acting thermocouple. It is an integral safety component. Replace only with a fast acting thermocouple supplied by Wolf Steel Ltd.**

TROUBLE SHOOTING GUIDE

SYMPTOM	PROBLEM	TEST SOLUTION	
Main burner goes out; pilot stays on.	Pilot flame is not large enough or not engulfing the thermopile	<ul style="list-style-type: none"> - turn up pilot flame. - replace pilot assembly. 	
	Thermopile shorting	<ul style="list-style-type: none"> - clean thermopile connection to the valve. Reconnect. - replace thermopile / valve. 	
	Remote wall switch wire is too long; too much resistance in the system.	<ul style="list-style-type: none"> - shorten wire to correct length or wire gauge. 	
	Faulty thermostat or switch.	<ul style="list-style-type: none"> - replace. 	
Pilot goes out when the gas knob is released. The gas valve has an interlock device which will not allow the pilot burner to be lit until the thermocouple has cooled. Allow approximately 60 seconds for the thermocouple to cool.	System is not correctly purged.	<ul style="list-style-type: none"> - purge the gas line. 	
	Out of propane gas.	<ul style="list-style-type: none"> - fill the tank. 	
	Pilot flame is not large enough	<ul style="list-style-type: none"> - turn up the pilot flame. 	
	Pilot flame is not engulfing the thermocouple.	<ul style="list-style-type: none"> - gently twist the pilot head to improve the flame pattern around the thermocouple. 	
	Thermocouple shorting / faulty.	<ul style="list-style-type: none"> - loosen and tighten thermocouple. - clean thermocouple and valve connection. - replace thermocouple. - replace valve. 	
	Faulty valve.	<ul style="list-style-type: none"> - replace. 	
Pilot burning; no gas to main burner; gas knob is on 'HI'; wall switch / thermostat is on.	Thermostat or switch is defective.	<ul style="list-style-type: none"> - connect a jumper wire across the wall switch terminals; if main burner lights, replace switch / thermostat. 	
	Wall switch wiring is defective.	<ul style="list-style-type: none"> - disconnect the switch wires & connect a jumper wire across terminals 1 & 3; if the main burner lights, check the wires for defects and / or replace wires. 	
	Main burner orifice is plugged.	<ul style="list-style-type: none"> - remove stoppage in orifice. 	
	Faulty valve.	<ul style="list-style-type: none"> - replace. 	
Pilot will not light.		No spark at pilot burner	<ul style="list-style-type: none"> - check if pilot can be lit by a match - check that the wire is connected to the push button ignitor. - check if the push button ignitor needs tightening. - replace the wire if the wire insulation is broken or frayed. - replace the electrode if the ceramic insulator is cracked or broken. - replace the push button ignitor.
		Out of propane gas	<ul style="list-style-type: none"> - fill the tank.
		Spark gap is incorrect	<ul style="list-style-type: none"> - spark gap should be 0.150" to 0.175" (5/32" to 11/64" approx.) from the electrode tip and the pilot burner. To ensure proper electrode location, tighten securing nut (finger tight plus 1/4 turn).
		No gas at the pilot burner	<ul style="list-style-type: none"> - check that the manual valve is turned on. - check the pilot orifice for blockage. - replace the valve. - call the gas distributor.

SYMPTOM	PROBLEM	TEST SOLUTION
Pilot goes out while standing; Main burner is in 'OFF' position.	Gas piping is undersized.	<ul style="list-style-type: none"> - turn on all gas appliances and see if pilot flame flutters, diminishes or extinguishes, especially when main burner ignites. Monitor appliance supply working pressure. - check if supply piping size is to code. Correct all undersized piping.
	High Wind.	<ul style="list-style-type: none"> - unit has been exposed to a high wind condition. A "sheltered" area is recommended for the installation location. - close mesh screens.
Flames are consistently too large or too small. Carboning occurs.	Unit is over-fired or under-fired.	<ul style="list-style-type: none"> - check pressure readings: <p>Inlet pressure can be checked by turning screw (A) counter-clockwise 2 or 3 turns and then placing pressure gauge tubing over the test point. Gauge should read 7" (minimum 4.5") water column for natural gas or 13" (11" minimum) water column for propane. Check that main burner is operating on "HI".</p> <p>Outlet pressure can be checked the same as above using screw (B). Gauge should read 3.5" water column for natural gas or 10" water column for propane. Check that main burner is operating on "HI".</p> <p>AFTER TAKING PRESSURE READINGS, BE SURE TO TURN SCREWS CLOCKWISE FIRMLY TO RESEAL. DO NOT OVERTORQUE.</p> <p>Leak test with a soap and water solution.</p>
		
Carbon is being deposited on, logs or combustion chamber surfaces.	Air shutter has become blocked	<ul style="list-style-type: none"> - ensure air shutter opening is free of lint or other obstructions.
	Flame is impinging on the logs or combustion chamber.	<ul style="list-style-type: none"> - check that the logs are correctly positioned. - open air shutter to increase the primary air. - check the input rate: check the manifold pressure and orifice size as specified by the rating plate values. - close mesh screens.
Remote wall switch is in "OFF" position; main burner comes on when gas knob is turned to "ON" position.	Wall switch is mounted upside down	<ul style="list-style-type: none"> - reverse.
	Remote wall switch is grounding.	<ul style="list-style-type: none"> - replace.
	Remote wall switch wire is grounding.	<ul style="list-style-type: none"> - check for ground (short); repair ground or replace wire.
	Faulty valve.	<ul style="list-style-type: none"> - replace.

Wolf Steel Fireplace Service History

This fireplace must be serviced annually depending on usage.

Date	Dealer Name	Service Technician Name	Service Performed	Special Concerns

Historique d'entretien Wolf Steel

Cet appareil doit être entretenu annuellement selon son usage.

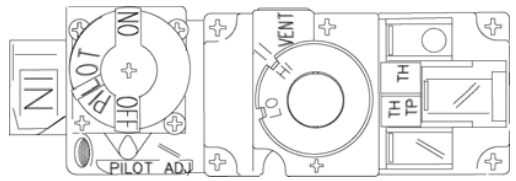
Date	Déaillant	Nom du technicien	Travail effectué	Problèmes particuliers

SYMPTÔME PROBLÈME SOLUTIONS

La veilleuse s'éteint alors qu'elle est en attente; le brûleur principal est à "OFF".
 La conduite de gaz est trop petite.
 Les flammes sont régulièrement trop grandes ou trop petites. Il se produit des dépôts de carbone.
 Vents forts.

- allumez tous les appareils au gaz et vérifiez si la flamme de veilleuse vacille, diminue ou s'éteint, surtout quand le brûleur principal s'allume. Vérifiez la pression d'alimentation.
- vérifiez si la grosseur du conduit d'alimentation est conforme aux codes. Remplacez tous les conduits trop petits.
- l'appareil a été exposé à des vents forts.
- Un endroit protégé est recommandé pour l'emplacement du foyer.
- fermez le pare-étincelles.

La pression du gaz est trop faible ou trop forte.
 Pour vérifier la pression d'arrivée, tournez 2 ou 3 fois la vis (A) vers la gauche, puis embotez le tube du manomètre sur la pointe d'essai. Le manomètre doit indiquer 7" (minimum 4,5") de colonne d'eau pour le gaz naturel ou 13" (minimum 11") de colonne d'eau pour le propane. Assurez-vous que le brûleur principal fonctionne à "HI". La pression de sortie peut être vérifiée de la même façon en utilisant la vis (B). Le manomètre doit indiquer 3,5" de colonne d'eau pour le gaz naturel ou 10" de colonne d'eau pour le propane. Assurez-vous que le brûleur principal fonctionne à "HI".



SCCELLER, NE FORCEZ PAS. Vérifiez pour des fuites en appliquant une solution d'eau savonneuse.

Du carbone se dépose sur les bûches ou les parois de la chambre de combustion. La flamme lâche les bûches ou les parois de la chambre de combustion. Le volet d'air est bloqué. assurez-vous que l'ouverture du volet d'air n'est pas bloquée par des fibres ou autres obstructions.

Le volet d'air n'est pas bloqué. assurez-vous que l'ouverture du volet d'air n'est pas bloquée par des fibres ou autres obstructions.

L'interrupteur mural est raccordé à l'endroit. L'interrupteur mural cause un court-circuit. Le fil de l'interrupteur mural cause un court-circuit.

Soupape défectueuse. remplacez.

L'interrupteur mural est raccordé à l'envers. L'interrupteur mural cause un court-circuit.

L'interrupteur mural est raccordé à l'envers. L'interrupteur mural cause un court-circuit.

L'interrupteur mural est raccordé à l'envers. L'interrupteur mural cause un court-circuit.

GUIDE DE DÉPANNAGE

SOLUTIONS

PROBLÈME

SYMPTÔME

Le brûleur principal-
La flamme de la veilleuse n'est pas assez puissante ou n'enveloppe pas la thermopile.
allumée.

La thermopile cause un court-circuit.
- nettoyez la connexion de la thermopile à la borne de la soupape et reconnectez.
- remplacez la thermopile ou la soupape.

Le fil de l'interrupteur mural est trop long; trop de résistance dans le système.
- raccourcissez la longueur du fil ou changez le calibre du fil.
Le thermostat ou l'interrupteur est défectueux. - remplacez.

La veilleuse s'éteint quand le bouton du gaz est relâché.
Le système n'est pas purgé - purgez la conduite de gaz correctement.

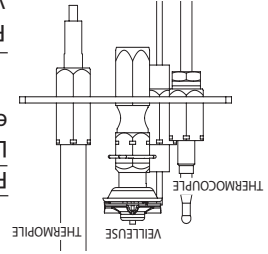
Plus de propane.
La flamme de la veilleuse n'est pas assez puissante.
- remplissez le réservoir.
La flamme de la veilleuse s'allume que lorsque le thermocouple est refroidi.
- tournez légèrement la tête de la veilleuse pour améliorer la flamme
- nettoyez le thermocouple et la connexion à la borne de la soupape.
- desserrez et resserez le thermocouple.
- remplacez la soupape.

permettre au thermocouple de se refroidir.
La thermopile cause un court-circuit/est défectueux.
- remplacez la soupape.
- nettoyez le thermocouple et la connexion à la borne de la soupape.
- remplacez la soupape.

La flamme de la veilleuse ne s'allume pas.
La thermopile cause un court-circuit/est défectueux.
- remplacez la soupape.
- nettoyez le thermocouple et la connexion à la borne de la soupape.
- remplacez la soupape.

Aucune étincelle au brûleur
- vérifiez si la veilleuse peut être allumée avec une allumette.
- vérifiez si le fil est raccordé au bouton-pression d'ignition.
- remplacez le fil si son isolant est brisé ou effiloché.
- remplacez l'électrode si l'isolateur de céramique est craqué ou brisé.
- remplacez le bouton-pression d'ignition.
- remplissez le réservoir.

Plus de propane.
La longueur de l'étincelle est incorrecte.
- la longueur de l'étincelle devrait être de 0,150" à 0,175" (5/32" à 11/64" approx.) entre la pointe de l'électrode et le brûleur de la veilleuse.
- vérifiez si la soupape manuelle est ouverte.
- vérifiez si l'injecteur de la veilleuse est bloqué.
- remplacez la soupape.
- contactez le fournisseur de gaz.



Pas de gaz au brûleur de la veilleuse.
- vérifiez si l'injecteur de la veilleuse est bloqué.
- remplacez la soupape.
- contactez le fournisseur de gaz.

RECHANGES

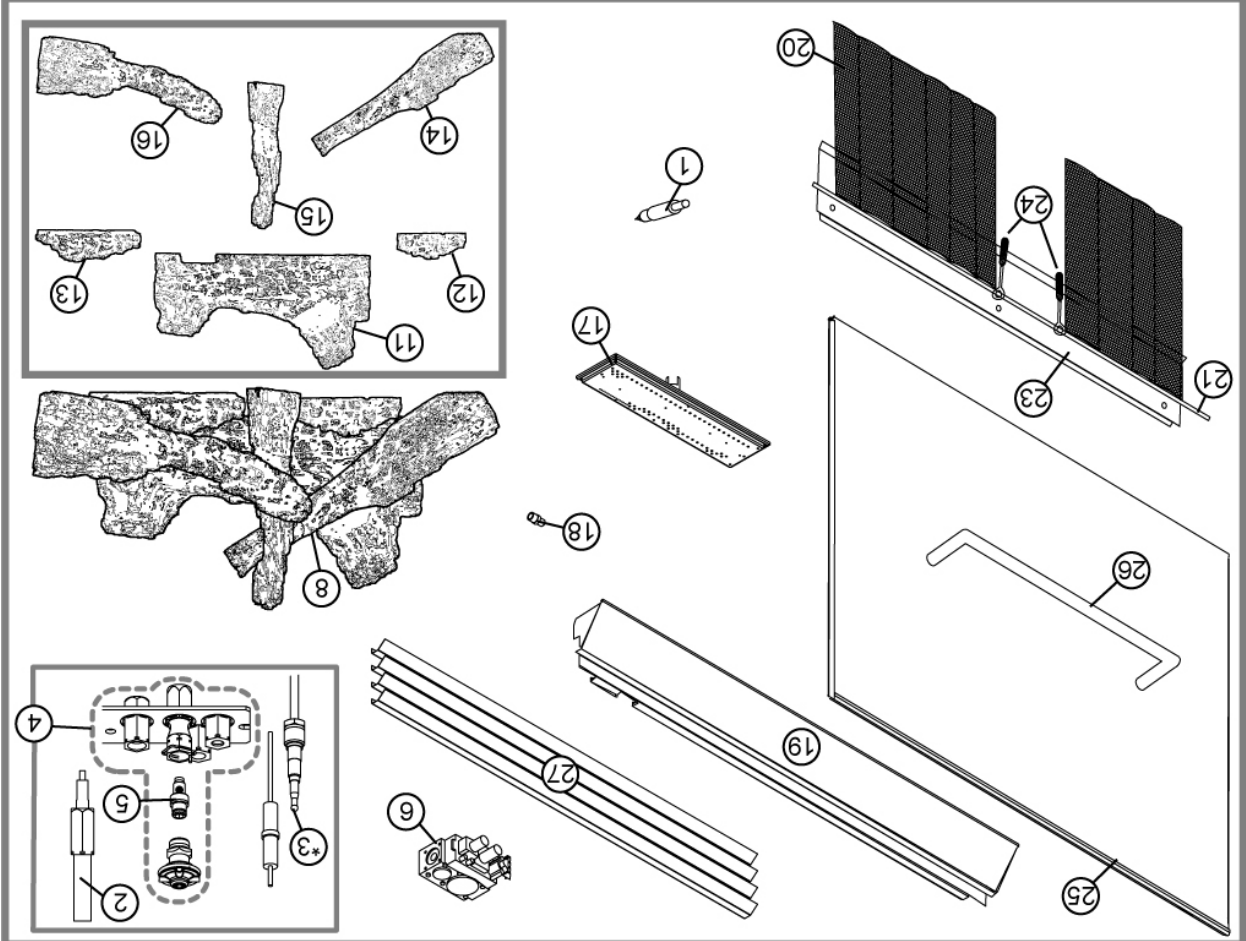
Contactez votre détaillant ou le fabricant pour les questions concernant les prix et les politiques de remplacement des pièces. Normalement, toutes les pièces peuvent être commandées chez votre détaillant.

Pour un remplacement de pièce sous garantie, une photocopie de la facture originale sera requise afin de pouvoir honorer la demande.

* IDENTIFIER LES ARTICLES QUI NE SONT PAS ILLUSTRÉS. POUR PLUS D'INFORMATION, CONTACTEZ VOTRE DÉTAILLANT NAPOLEON.

LISTE DES PIÈCES DE REMPLACEMENT

#	N° DE PIÈCE	DESCRIPTION
1	W357-0004	ALLUMEUR PIÉZO
2	W680-0004	THERMOPILE
3	*W680-0005	THERMOCOUPLE
4	W010-0800	ENSEMBLE DE VEILLEUSE - GN
4	W010-0801	ENSEMBLE DE VEILLEUSE - PL
5	W455-0069	INJECTEUR DE VEILLEUSE - GN
5	W455-0067	INJECTEUR DE VEILLEUSE - PL
6	W725-0028	SOUAPE - GAZ NATUREL
6	W725-0029	SOUAPE - PROPANE
7*	W385-0245	LOGO NAPOLEON
8	GL-6390D	ENSEMBLE DE BÛCHES
9*	W361-0016	BRAISES INCANDESCENTES
10*	W550-0001	BRAISES DE CHARBON DE BOIS
11	W135-01830D	BÛCHE ARRIÈRE (#1)
12	W135-01840D	BÛCHE CENTRALE GAUCHE (#2)
13	W135-01850D	BÛCHE CENTRALE DROITE (#3)
14	W135-01860D	BÛCHE TRANSVERSALE GAUCHE (#4)
15	W135-01870D	BÛCHE TRANSVERSALE CENTRALE (#5)
16	W135-01880D	BÛCHE TRANSVERSALE DROITE (#6)
17	W010-1066	BRÛLEUR À PLATEAU
18	W455-0078	INJECTEUR DE BRÛLEUR - GN #31
18	W455-0042	INJECTEUR DE BRÛLEUR - PL #49
19	W335-0033	HOTTE
20	W565-0062	PARE-ÉTINCELLES COULISSANT
21	W555-0040	PARE-ÉTINCELLES
22*	W080-0614	TIGE DU PARE-ÉTINCELLES
23	W500-0209	MOULURE HORIZONTALE SUPÉRIEURE
24	W630-0010	POIGNÉES NOIRES
25	W200-0135	COUVERCLE DE FOYER
26	N325-0036	POIGNÉE DE COUVERCLE
28*	W660-0005	INTERRUPTEUR
29*	W750-0109	ENSEMBLE DE FIL/RACCORD 3/16"
30*	W750-0110	ENSEMBLE DE FIL/RACCORD 1/4"



* ATTENTION: Ceci est un thermocouple à action rapide. Ceci est un composant intégral de sécurité. Remplacez uniquement avec un thermocouple à action rapide de Wolf Steel Itée.

FONCTIONNEMENT/ENTRETIEN

et lubrifiants internes utilisés dans le processus de fabrication, elle ne se reproduit plus.

Après de longues périodes sans utiliser le foyer, comme à la suite de vacances ou à la fin de l'été, il se peut qu'une légère odeur se dégage pendant quelques heures. Ceci est causé par des particules de poussière brillante dans l'échangeur de chaleur.

1. Arrêtez! Lisez les recommandations de sécurité au verso de la plaque d'homologation.

2. Tournez le bouton de contrôle du gaz vers la droite à "OFF".
 3. Attendez 5 minutes pour que le gaz puisse s'échapper. Si vous détectez une odeur de gaz incluant au niveau plancher, arrêtez! et suivez les instructions de l'étape "B" au verso de la plaque d'homologation. Si vous ne détectez pas d'odeur de gaz, passez à l'étape suivante.
 4. Si le foyer est muni d'une soupape d'ajustement de flamme, tournez le bouton vers la droite à "OFF".
 5. Trouvez la veilleuse située à l'avant de la bûche arrière.
 6. Tournez le bouton de contrôle du gaz vers la gauche à "PLOT".
 7. Enfoncez et maintenez le bouton de contrôle du gaz pendant que vous allumez la veilleuse en appuyant sur le bouton pression "ignition". Gardez le bouton de contrôle du gaz enfoncé pendant une (1) minute, puis relâchez-le. Si la veilleuse ne reste pas allumée, répétez les étapes 3 à 7.
 8. Lorsque la veilleuse est allumée, tournez le bouton de contrôle du gaz vers la gauche à "NO".
 9. Si le foyer est muni d'une soupape d'ajustement de flamme, enfoncez et tournez le bouton à "HIGH".
 10. Si le foyer est muni d'un interrupteur à distance, le brûleur principal peut ne pas s'allumer quand vous tournez la soupape de gaz à "NO", ou à "HIGH". L'interrupteur à distance doit être en position "ON" pour que le brûleur s'allume.

INSTRUCTIONS POUR COUPER LE GAZ

• Enfoncé légèrement le bouton de contrôle du gaz et tournez vers la droite jusqu'à "OFF". Ne forcez pas.

POUR VOTRE SÉCURITÉ, LISEZ CE QUI SUIT

A. Ce foyer est muni d'une veilleuse qui doit être allumée manuellement en observant ces instructions à la lettre.

B. Avant d'allumer, sentez autour du foyer et près du plancher afin de vous assurer qu'il n'y a pas de fuite de gaz. Certains gaz sont plus lourds que l'air et se déposeront au niveau du plancher.

C. N'utilisez que votre main pour tourner le bouton de contrôle du gaz. N'utilisez jamais d'outils. Si le bouton ne tourne pas manuellement, n'essayez pas de le réparer. Appelez un technicien qualifié pour inspecter et remplacer toute pièce du système de contrôle et du contrôle du gaz qui aurait été submergée.

QUE FAIRE SI VOUS DÉTECTEZ UNE ODEUR DE GAZ

• Coupez l'alimentation de gaz au foyer.
 • N'allumez aucun appareil.
 • N'utilisez pas de téléphone cellulaire ou autre téléphone.
 • De la maison d'un voisin, appelez immédiatement votre fournisseur de gaz et suivez ses instructions.

• Si vous ne pouvez pas rejoindre votre fournisseur de gaz, contactez le service des incendies.

INSTRUCTIONS D'ALLUMAGE

Durant l'allumage et le réalumage, le bouton de la veilleuse ne peut tourner de "PLOT" à "OFF" à moins de l'enfoncer.

ENTRETIEN

ATTENTION : Lors de l'entretien des contrôles, assurez-vous d'identifier chacun des fils avant de les débrancher. Une

réinstallation incorrecte des fils pourrait occasionner un mauvais fonctionnement et être dangereux. Assurez-vous que le foyer fonctionne adéquatement une fois l'entretien terminé. Cet appareil devrait être inspecté avant la première utilisation et au moins une fois l'an par un technicien de service qualifié. L'espace entourant le foyer doit être gardé propre et libre de matériaux combustibles, d'essence ou autres liquides et vapeurs inflammables. Les apports d'air comburant et d'air de convection ne doivent pas être obstrués. 2. Garder le compartiment des contrôles, le brûleur, le volet d'air, les bûches et l'espace entourant les bûches propres en brossant ou en passant l'aspirateur, au moins une fois l'an.

3. Assurez-vous que tous les orifices du brûleur produisent des flammes. Nettoyez tous les orifices qui n'ont pas de flamme ou dont la flamme ne brûle pas adéquatement.
 4. Assurez-vous que la flamme de la veilleuse est assez puissante pour envelopper le thermocouple et la thermopile et qu'elle atteigne le brûleur par le troisième déflecteur et allume rapidement le brûleur principal.

5. Vérifiez si le brûleur principal allume sur tous les orifices lors- total de 5 à 10 secondes est satisfaisant. Si l'allumage prend plus de temps, consultez votre détaillant Napoléon.
Nettoyage de l'acier inoxydable : N'utilisez pas de produits abrasifs pour nettoyer les pièces peintes, en porcelaine émaillée ou en acier inoxydable. Pour nettoyer les surfaces en acier

PL	PLEINEMENT OUVERT
GN	7/16"
OUVERTURES DU VOLET D'AIR	

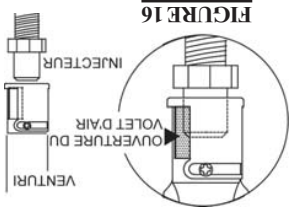


FIGURE 16

plement. Voir le guide de dépannage.

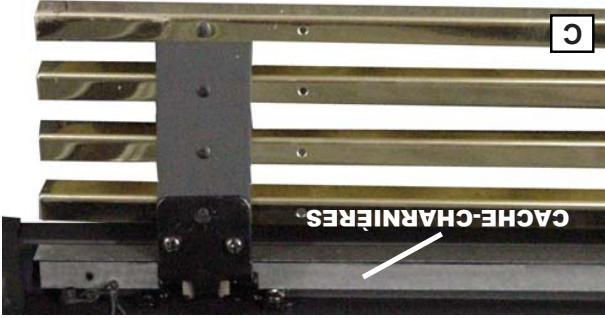
odeurs provenant des gaz d'échappement. La flamme peut ne pas être jaune immédiatement allouée de 15 à 30 minutes pour que la couleur finale de la flamme se stabilise. Le fait d'ouvrir le volet d'air diminuera les orifices du brûleur. La flamme est plus bleue et plus elle a tendance à se détacher des bûches et l'espace entourant les bûches propres en brossant ou en passant l'aspirateur, au moins une fois l'an.

RÉGLAGE DU VENTURI

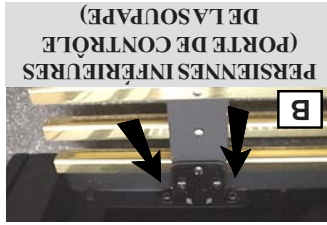
Le réglage du volet d'air doit être exécuté par un technicien/installateur qualifié pour le gaz seulement!

inoxydable, utilisez un nettoyeur à acier inoxydable ou un nettoyeur tout usage sans abrasif. Frottez toujours dans le sens du grain. N'utilisez pas de laine d'acier car elle égratignera le fini. Les pièces en acier inoxydable vont décolorer de façon permanente sous l'effet de la chaleur pour habituellement prendre une teinte dorée ou brune. Cette décoloration est normale et n'affectera pas la performance de l'appareil.

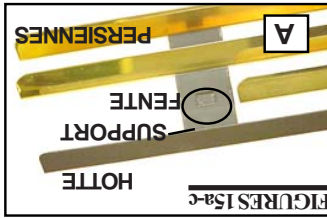
CACHE-CHARNIÈRES : Mettez le cache-charnières en place. Avec la porte de contrôle de la soupape ouverte, fixez le cache-charnières au caisson à l'aide de trois vis.



PERSIENNES INFÉRIEURES : Fixez chaque charnière à la base du foyer avec deux vis.



PERSIENNES SUPÉRIEURES : Insérez les persiennes supérieures dans les fentes situées sur chaque support. Insérez la hotte/support dans les quatre attaches situées le long du haut de l'appareil, tel qu'illustré.



INSTALLATION DES PERSIENNES



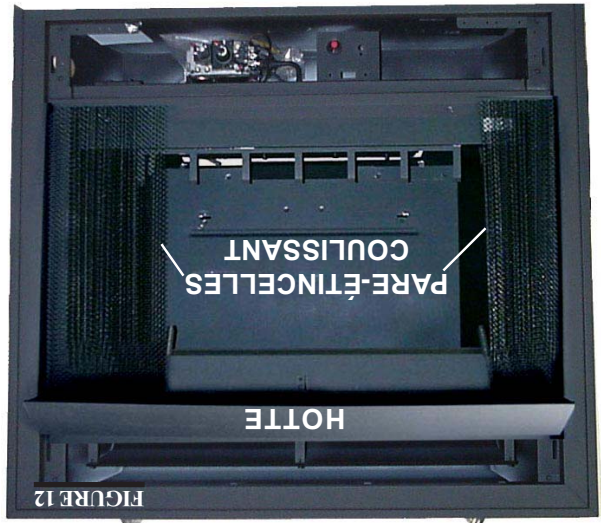
MISE EN PLACE DU LOGO

Retirez le papier dorsal du logo et placez-le sur la moulure inférieure horizontale tel qu'indiqué.

L'appareil ne doit pas être utilisé lorsque la hotte est retirée. Fixez la hotte par-dessus la moulure supérieure horizontale.



Afin d'aider à prévenir les brûlures accidentelles, le pare-étincelles doit être complètement fermé lorsque le foyer fonctionne.



HOTTE

LES FINITIONS

DISPOSITION DES BÛCHES

Les bûches PHAZER^{MD} et les braises incandescentes, exclusives aux foyers Napoléon, créent un effet incandescent réaliste et unique qui est différent dans chaque installation. Prenez le temps de bien installer les braises incandescentes pour obtenir le meilleur effet possible. La couleur des bûches peut varier. Lors de la première utilisation du foyer, les couleurs deviendront plus uniformes à mesure que leurs pigments seront "absorbés" pendant le procédé de "cuisson".

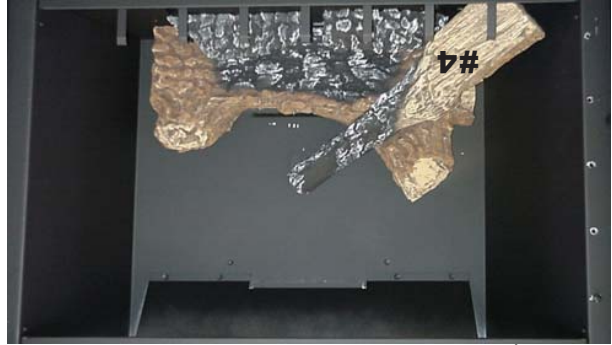
FIGURES 11a-d



1. Placez la bûche arrière (#1) sur le support à bûches et à l'avant des pattes. Les pattes assurent un espace d'air entre la bûche et l'arrière de la chambre de combustion afin de faciliter la circulation d'air. Assurez-vous que le dos de la bûche s'appuie sur les supports situés sur le mur arrière de la chambre de combustion.

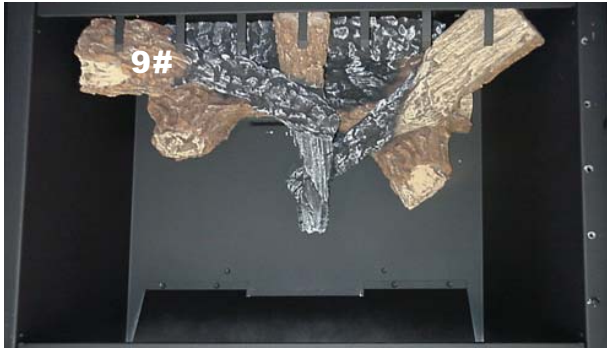


2. Placez les deux petites bûches (#2 et #3) à leur place, en alignant les tiges situées sur le brûleur avec les trous sous les bûches. Assurez-vous que les petites bûches soient à plat sur le brûleur.



3. Placez le bas de la bûche transversale gauche (#4) contre le côté gauche de la chambre de combustion et tirez vers le chenet. Le haut de la bûche est placé dans la rainure sur la bûche arrière.

4. Placez l'encoche située au bout de la bûche centrale (#5) contre le poteau central du chenet et l'autre bout dans la rainure de la bûche transversale gauche.



5. Placez le bas de la bûche transversale droite (#6) contre le côté droit de la chambre de combustion et tirez jusqu'au chenet. Le haut de la bûche est placé dans la rainure sur la bûche centrale (#5).

BRAISES DE CHARBON DE BOIS
Éparpillez les braises à l'avant et sur les côtés du support à bûches de façon à créer un effet réaliste. **N'utilisez pas la fine poussière qui reste au fond du sac. Ne placez pas les braises de charbon de bois sur le brûleur.**

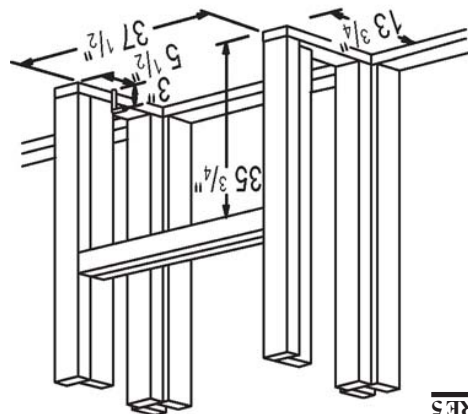
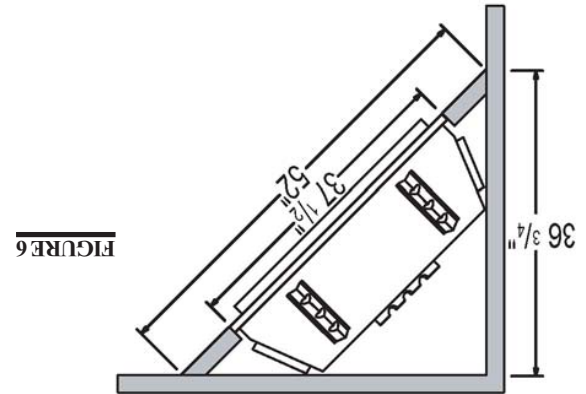
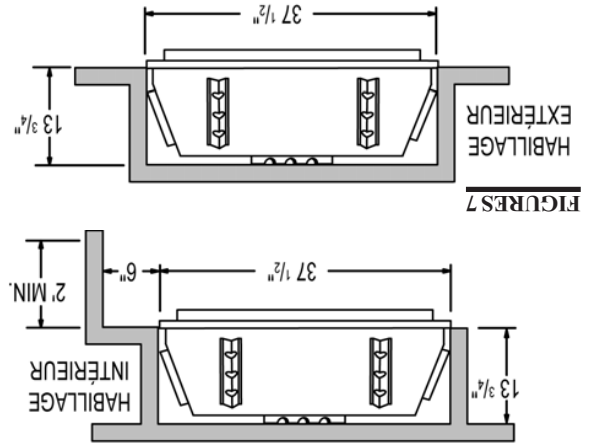
BRAISES INCANDESCENTES

Déchirez les braises incandescentes en morceaux et placez-les le long de la première rangée des orifices du brûleur en couvrant toute la surface à l'avant des petites bûches (#2 & #3). Les braises devraient être déchirées très soigneusement en petits morceaux irréguliers car seuls les côtés exposés des fibres deviendront incandescents. **Les braises seront incandescentes seulement lorsqu'elles sont exposées à une flamme directe; cependant, prenez bien garde de ne pas boucher les orifices du brûleur.** Le blocage des orifices du brûleur peut créer une flamme irrégulière, des dépôts de carbone et un retard d'allumage. Les bûches PHAZER^{MD} rougeoient lorsqu'elles sont exposées à une flamme directe. N'utilisez que des braises incandescentes et des bûches certifiées PHAZER^{MD}, disponibles chez votre détaillant Napoléon.

IMPORTANT

IL EST FORTEMENT RECOMMANDÉ DE PROTÉGER LES BÛCHES CONTRE L'HUMIDITÉ. RECOUVREZ L'OUVERTURE DU FOYER LORSQUE LE FOYER N'EST PAS UTILISÉ.

Les matériaux combustibles peuvent être installés à égalité du devant du foyer mais ils ne doivent recouvrir aucune surface peinte en noir du devant du foyer. Les matériaux combustibles (briques, pierres, tuiles en céramique) peuvent empêcher sur la partie noire. Il n'est pas nécessaire d'installer un prolongement d'être avec ce type de foyer.

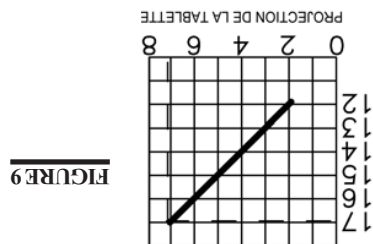
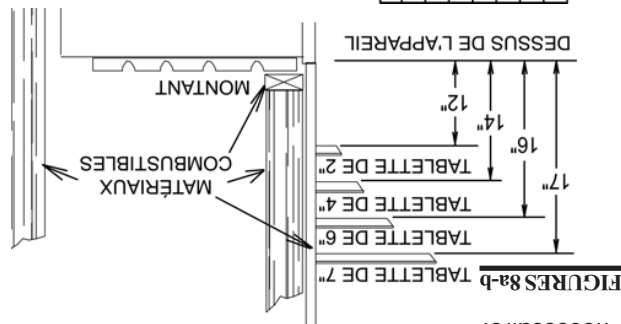


Il est préférable de construire l'ossature après que le foyer est en place. Utilisez des montants 2x4 et construisez l'ossature conformément aux exigences des codes du bâtiment locaux. FIGURES 5-7.

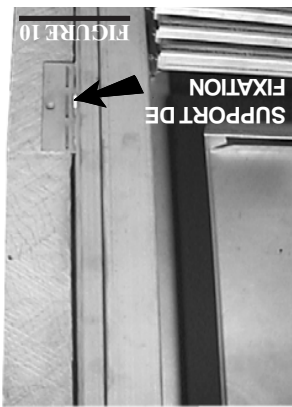
OSSATURE

Lorsque vous mettez le foyer en place, surélevez-le de façon à prévoir l'épaisseur du plancher fini, c-à-d. tuiles, tapis ou bois franc car s'ils n'ont pas été prévus, ils nuiront à l'ouverture de la porte d'accès inférieure et à l'installation de plusieurs contours. Les objets placés devant le foyer doivent être gardés à une distance minimale de 4 pieds de la façade de l'appareil.

EMPLACEMENTS DE LA TABLETTE DÉCORATIVE
Le dégagement d'une tablette combustible au foyer peut varier selon la profondeur de la tablette. Utilisez le graphique pour vous aider à déterminer le dégagement nécessaire.



INSTALLATION DES SUPPORTS DE FIXATION



Pour installer la façade du foyer à égalité avec le mur fini, positionnez les montants d'ossature de façon à prévoir l'épaisseur de la finition du mur. Dépliez les deux supports de fixation qui se trouvent de chaque côté du foyer et fixez aux montants 2x4. Les supports de fixation faciliteront l'installation d'une surface de finition de 3/4" ou de 1" d'épaisseur. Les supports de fixation ne doivent pas être retirés.

FIGURE 9

FIGURES 5-7

FIGURE 6

FIGURES 7

FIGURE 10

INSTALLATION

BRANCHEMENT DU GAZ

NOTE : Si vous branchez votre appareil à une

bonne de propane, la bonne doit être retenue en place. Un support pour des bonnes standard de 20 lb est disponible chez votre détaillant Napoléon.

1. Mettez le foyer en place et fixez-le en utilisant les sup-

ports de fixation et/ou fixez-le au plancher en utilisant les trous de 1/4" de diamètre situés de chaque côté de la base.

2. Installez un tuyau noir rigide, un tuyau de cuivre de raccord flexible de 3/8" et une soupape de sectionnement à la ligne de gaz et à la soupape de gaz du foyer. Scellez et serrez solidement. Une bague d'ajustement est requise entre la soupape de gaz et le tuyau de cuivre ou le raccord flexible.

3. Vérifiez pour des fuites de gaz en appliquant une solution d'eau savonneuse.

NE PLIEZ PAS LE RACCORD FLEXIBLE.



FIGURE 2

N'UTILISEZ PAS UNE FLAMME NUE.

4. Pour faciliter l'accès, un interrupteur mural facultatif

peut être installé dans un endroit pratique. Passez un fil millivolt à deux brins (noyau solide) dans l'ouverture électrique située dans le bas, du côté gauche du foyer. La longueur maximale dépend du calibre du fil :

DIAMÈTRE DU FIL	
calibre 14	100 pieds
calibre 16	60 pieds
calibre 18	40 pieds

LONGUEUR MAX.

Branchez les deux brins aux bornes 1 et 3 situées sur la soupape de gaz.

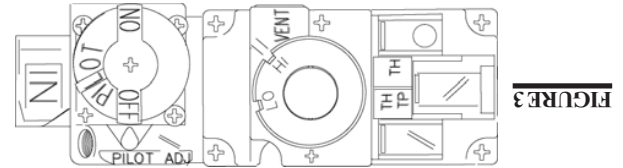


FIGURE 3

Ne raccordez pas l'interrupteur mural, le thermostat ou la soupape du gaz à l'alimentation électrique (110 volts).

AIR COMBURANT ET DE CONVECTION

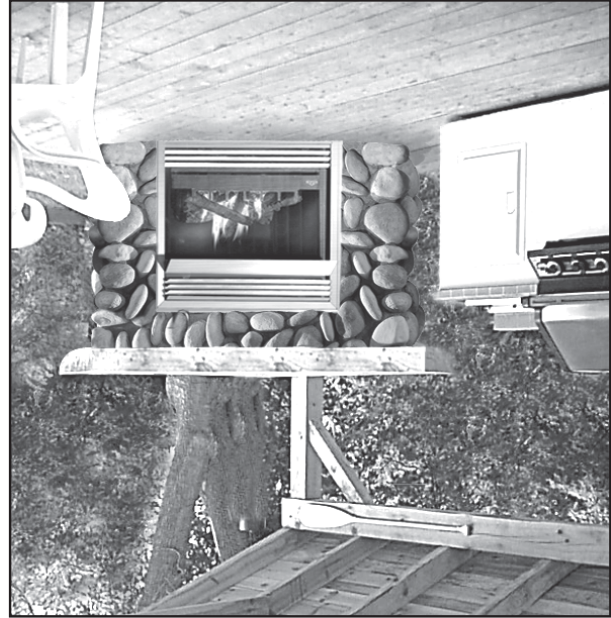
Ce foyer est conçu pour être installé à l'extérieur tel que sur un patio ou dans votre cour. Il ne doit jamais être installé à l'intérieur d'une structure fermée et étanche.

Il est fortement recommandé d'installer ce foyer dans un endroit protégé. Les vents directs causeront des flammes irrégulières et possiblement des panes de vieilluse et de brûleur principal.

Des flammes irrégulières peuvent aussi causer des dépôts de carbone excessifs (suie noire). Cette condition ne compromet pas la sécurité du foyer mais est visuellement indésirable.

Des installations typiques peuvent comprendre des patios recouverts, des gazebos ou des installations contre le mur extérieur de la maison.

FIGURE 4

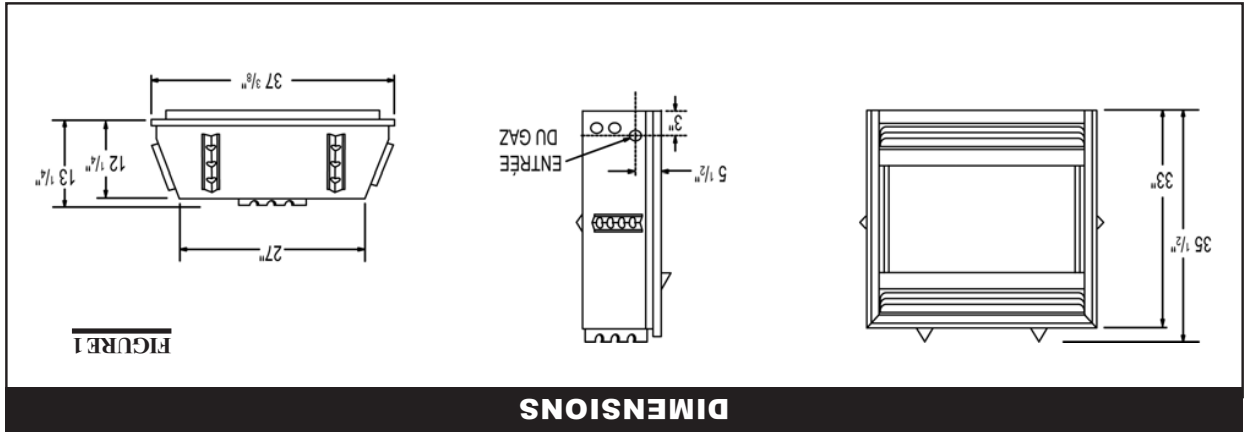


DÉGAGEMENTS AUX MATÉRIAUX COMBUSTIBLES

Côtés, arrière, dessous et dessus 0 pouce

Profondeur de l'enclave 13/8 pouces

Il est conseillé d'installer le foyer contre des murs finis. Ceci assurera que le dégagement aux matériaux combustibles est maintenu.



N'utilisez que les accessoires conçus et listés pour votre modèle de foyer.

Les bruits causés par l'expansion et la contraction lors des cycles de chauffage et de refroidissement sont tout à fait normaux et il faut s'y attendre.

Aucune alimentation électrique externe (110 volts ou 24 volts) n'est requise pour le fonctionnement du système.
 La pression minimale d'alimentation en gaz est 4,5 pouces de colonne d'eau pour le gaz naturel et 10 pouces de colonne d'eau pour le propane. La pression au collecteur quand le gaz circule est 3,5 pouces de colonne d'eau pour le gaz naturel et 13 pouces de colonne d'eau pour le propane. Le foyer doit être installé directement sur un revêtement de plancher combustible autre que le bois, le foyer devra être monté sur un panneau de métal ou de bois se prolongeant sur toute la largeur et la profondeur.

Ce foyer est conçu pour fonctionner avec le type de combustible indiqué sur la plaque d'homologation. Ce foyer ne peut être converti à un autre type de combustible à moins d'utiliser un ensemble de conversion certifié.

Il est fortement recommandé de protéger les bûches contre l'humidité (pluie, neige). Recouvrez l'ouverture du foyer lorsque le foyer n'est pas utilisé.

**CE Foyer au gaz devrait être installé et en-
 TRETEU PAR UN INSTALLATEUR QUALIFIÉ en se con-
 formant aux codes locaux. Les pratiques d'installation peu-
 vent varier d'une région à l'autre. Il est donc important de
 connaître les normes spécifiques qui s'appliquent à votre
 région.**
 L'installation doit se conformer aux codes locaux. En
 l'absence de codes locaux, l'installation doit être conforme
 au Code d'installation du gaz naturel et du propane CSA
 B149.1 au Canada ou le National Fuel Gas Code, ANSI
 Z223.1/INFFPA 54 aux États-Unis.

INFORMATION GÉNÉRALE

INSTRUCTIONS GÉNÉRALES

NAPOLÉON garantit ses produits contre les défauts de fabrication à l'acheteur d'origine seulement -- c.-à-d. l'individu ou la personne morale (client inscrit) dont le nom apparaît sur la carte d'enregistrement de garantie déposée auprès de NAPOLÉON -- à condition que l'achat ait été fait par l'entremise d'un détaillant NAPOLÉON autorisé et sous réserve des conditions et limitations suivantes :

Cette garantie limitée s'applique seulement lorsque l'appareil demeure à l'endroit d'installation d'origine et seulement si l'appareil est installé au Canada ou aux États-Unis. Cette garantie du fabricant n'est pas transférable et ne peut être prolongée ou étendue par aucun de nos représentants quelle qu'en soit la raison. L'installation doit être faite conformément aux instructions d'installation incluses avec le produit et à tous les codes d'incendie et du bâtiment locaux et nationaux. Cette garantie limitée ne couvre pas les dommages causés par un mauvais usage, un manque d'entretien, un accident, des altérations, des abus ou de la négligence, et l'installation de pièces d'autres fabricants annulera cette garantie. Cette garantie limitée ne couvre pas les dommages causés par la corrosion ou la décoloration causée par une chaleur excessive, des produits d'entretien chimiques et abrasifs, le bris par manipulation des bûches et des braises. Au cours de la première année seulement, cette garantie s'étend à la réparation ou le remplacement des pièces garanties dont les matériaux ou la fabrication sont défectueux sous condition que le produit ait été utilisé conformément aux instructions de fonctionnement et dans des conditions normales. Après la première année, concernant cette Garantie Limitée, NAPOLÉON peut, à sa discrétion, se libérer entièrement de toutes obligations en ce qui concerne cette garantie en remboursant à l'acheteur d'origine le prix de gros de toute pièce garantie qui est défectueuse. Après la première année, NAPOLÉON ne sera pas responsable de l'installation, de la main-d'œuvre ou autres coûts ou dépenses relatives à la réinstallation d'une pièce garantie, et de telles dépenses ne sont pas couvertes par cette garantie. Nonobstant toutes les dispositions contenues dans cette Garantie Limitée, la responsabilité de NAPOLÉON sous cette garantie est définie comme ci-dessus et elle ne s'étendra à aucun dommage accidentel, consécutif ou indirect. Cette garantie définit l'obligation et la responsabilité de NAPOLÉON en ce qui concerne l'appareil au gaz NAPOLÉON et toutes autres garanties exprimées ou implicites concernant ce produit, ses composants ou accessoires sont exclus. Cette garantie limitée ne couvre pas les dommages causés par l'utilisation de composants qui ne sont pas fournis avec l'appareil, ou l'utilisation d'un combustible autre que celui spécifié. Tous dommages causés à l'appareil par les intempéries, de longues périodes d'humidité, la condensation, les produits chimiques ou produits d'entretien nuisibles ne seront pas la responsabilité de NAPOLÉON. La facture ou sa copie sera requise ainsi qu'un numéro de série et un numéro de modèle lors d'une réclamation auprès de votre détaillant autorisé. La carte d'enregistrement de garantie doit être retournée dans les quinze jours pour enregistrer la garantie. NAPOLÉON se réserve le droit de demander à son représentant d'inspecter tout produit ou pièce avant d'honorer toute réclamation.

CONDITIONS ET LIMITATIONS

Tous les composants en acier inoxydable de votre nouvel appareil au gaz Napoléon sont garantis contre les défauts pour une période de cinq ans. Toutes les pièces telles que les soupapes de gaz, les bûches et les joints d'étanchéité sont couverts et Napoléon fournira gratuitement les pièces de rechange durant la première année de la garantie limitée. Les coûts de main-d'œuvre relatifs aux réparations garanties sont couverts gratuitement durant la première année. Cependant, les travaux de réparation nécessitent l'approbation préalable d'un représentant autorisé de la compagnie. Les coûts de main-d'œuvre à la charge de Napoléon sont basés sur un programme de tarifs prédéterminé et tout travail de réparation doit être accompli par l'entremise d'un représentant autorisé Napoléon.

GARANTIE LIMITÉE DE 5 ANS DES APPAREILS AU GAZ NAPOLÉON

Les appareils au gaz Napoléon sont fabriqués conformément aux normes strictes du Certificat d'Assurance de Qualité mondialement reconnu ISO 9001 : 2000. Les produits Napoléon sont conçus avec des composants et des matériaux de qualité supérieure, assemblés par des artisans qualifiés qui sont fiers de leur travail. Le brûleur et le montage de la soupape subissent un test de détection de fuites et d'allumage à une station de test de qualité. Une fois assemblée, chaque foyer est soigneusement inspecté de nouveau par un technicien qualifié avant d'être emballé pour garantir que vous, le client, recevez le produit de qualité dont vous attendez de Napoléon.

NOTE : Les changements autres que de nature éditoriale sont dénotés par une ligne verticale dans la marge.

AVERTISSEMENT

- Ce foyer ne devra être modifié en aucun cas.
- Assurez-vous une quantité suffisante d'air de combustion et de dilution. Prévoyez un accès suffisant pour entretenir et opérer le foyer. N'obstruez jamais l'ouverture sur le devant du foyer.
- Si le foyer s'éteint de façon répétitive, faites-le inspecter. Gardez le brûleur et le compartiment de contrôle propres.
- Ne brûlez pas de bois ou autres matériaux dans ce foyer.
- Les adultes et particulièrement les enfants doivent être sensibilisés aux risques que représentent les surfaces exposées à des températures élevées. Ils doivent s'en tenir éloignés pour éviter de se brûler ou que leurs vêtements ne prennent feu. Surveillez les jeunes enfants lorsqu'ils sont à proximité du foyer.
- Les vêtements et autres matériaux combustibles ne doivent pas être posés sur ou près du foyer.
- Les pare-étincelles ou écrans enlevés pour faire l'entretien devront être remis en place avant d'utiliser le foyer.
- Il est primordial de garder propres les compartiments de contrôle, les brûleurs et les bouches d'air du foyer. Le foyer doit être inspecté avant la première utilisation et au moins une fois l'an par un spécialiste en entretien. L'emplacement du foyer doit être gardé libre de tous matériaux combustibles, essence ou autres liquides et vapeurs inflammables.
- Les meubles ou autres objets doivent être gardés à une distance d'au moins 4 pieds du devant du foyer.
- N'utilisez pas ce foyer si une partie quelconque a été submergée. Contactez immédiatement un technicien de service qualifié pour inspecter l'appareil et pour remplacer toute pièce du système de contrôle et du contrôle du gaz qui aurait été submergée.
- Ne laissez pas le vent souffler directement dans le foyer. Évitez les courants d'air qui modifient l'apparence de la flamme.
- N'utilisez pas d'accessoires qui ne sont pas approuvés pour ce foyer.

TOUTE MODIFICATION APPORTÉE À CE FOYER OU AUX CONTRÔLES PEUT ÊTRE DANGEREUX ET EST INTERDIT.

VEUILLEZ CONSERVER CE MANUEL POUR CONSULTATION ULTÉRIEURE

P. 3-4	INTRODUCTION	Garantie Instructions générales Information générale
5-6	INSTALLATION	Branchement du gaz Air comburant et de convection Dégagements aux matériaux combustibles Ossature Emplacements de la tablette décorative Installation des supports de fixation
7-8	LES FINITIONS	Disposition des bûches Pare-étincelles coulissant Installation de la hotte Mise en place du logo Installation des persiennes
9	FONCTIONNEMENT / ENTRETIEN	Instructions de fonctionnement Entretien Réglage du venturi
10	RECHANGES	Procédure de commande Liste des pièces de rechange
11-12	GUIDE DE DÉPANNAGE	Dégagements aux matériaux combustibles

TABLE des MATIÈRES

Wolf Steel Ltd., 24 Napoleon Rd., Barrie, ON L4M 4Y8 Canada • (705)721-1212 • télécopieur (705)722-6031
 www.napoleonfoyers.com • ask@napoleon.on.ca



CE Foyer DOIT ÊTRE INSTALLÉ À L'EXTÉRIEUR.

- L'installation et l'entretien doivent être faits par un installateur qualifié, une agence d'entretien ou le fournisseur de gaz.
- N'allumez aucun appareil.
 - Ne touchez à aucun interrupteur électrique.
 - Fermez le réservoir de propane ou l'alimentation en gaz.
 - N'utilisez aucun téléphone dans votre immeuble ou à proximité de l'appareil.
 - Appellez immédiatement votre fournisseur de gaz d'un téléphone voisin. Suivez ses instructions.
 - Si vous ne pouvez pas rejoindre votre fournisseur de gaz, appelez le service des incendies.

QUE FAIRE SI VOUS DÉTECTEZ UNE ODEUR DE GAZ:

N'entreposez pas et n'utilisez pas d'essence ou autres liquides et vapeurs inflammables à proximité de cet ou tout autre appareil.

POUR VOTRE SÉCURITÉ

AVERTISSEMENT : Si ces instructions ne sont pas suivies à la lettre, un feu ou une explosion pourrait s'ensuivre, causant des dommages matériels, des blessures corporelles ou des pertes de vie.

CERTIFIÉS POUR LE CANADA ET LES ÉTATS-UNIS SELON LES MÉTHODES ANSI/CSA

MODÈLE AU PROPANE **GSS36P**
 MODÈLE AU GAZ NATUREL **GSS36N**

APPAREIL EXTÉRIEUR AU GAZ
INSTRUCTIONS D'INSTALLATION ET D'OPÉRATION POUR
FOYER EXTÉRIEUR AU GAZ

FOYERS DE QUALITÉ



HOMOLOGUÉ SELON LES NORMES NATIONALES CANADIENNES ET AMÉRICAINES, CR97-003, CANT-2-21-M85, IAS U.S. 4-96.

INSTALLATEUR : CES INSTRUCTIONS DOIVENT ÊTRE REMISES AU PROPRIÉTAIRE ET GARDÉES PAR CE DERNIER.

Free Manuals Download Website

<http://myh66.com>

<http://usermanuals.us>

<http://www.somanuals.com>

<http://www.4manuals.cc>

<http://www.manual-lib.com>

<http://www.404manual.com>

<http://www.luxmanual.com>

<http://aubethermostatmanual.com>

Golf course search by state

<http://golfingnear.com>

Email search by domain

<http://emailbydomain.com>

Auto manuals search

<http://auto.somanuals.com>

TV manuals search

<http://tv.somanuals.com>