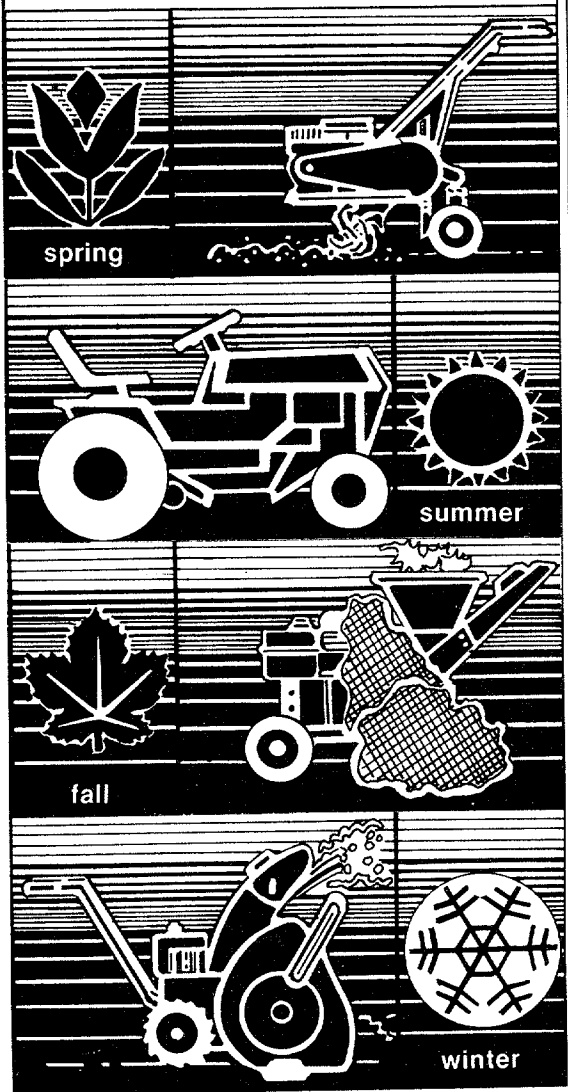


OWNER'S GUIDE

OUTDOOR POWER EQUIPMENT
for all seasons



8 TON MANUAL LOG SPLITTER

Model Numbers
245-632-000
24632S ✓

Important:
Read Safety Rules and
Instructions Carefully

Thank you for purchasing
an American-built product.

INDEX

Safe Operation Practices	3	Illustrated Parts	8
Assembly Instructions	4	Repair Parts List	9
Operation	5	Seal-Kit	9
Maintenance	6		

LIMITED WARRANTY

For one year from the date of original retail purchase, MTD PRODUCTS INC will either repair or replace, at its option, free of charge, F.O.B. factory or authorized service firm, any part or parts found to be defective in material or workmanship. Transportation charges for the movement of any power equipment unit or attachment are the responsibility of the purchaser. Transportation charges for any parts submitted for replacement under this warranty must be paid by the purchaser unless such return is requested by MTD PRODUCTS INC.

This warranty will not apply to any part which has become inoperative due to misuse, excessive use, accident, neglect, improper maintenance, alterations, or unless the unit has been operated and maintained in accordance with the instructions furnished.

This warranty will not apply where the unit has been used commercially.

Warranty service is available through your local authorized service dealer or distributor. If you do not know the dealer or distributor in your area, please write to the Customer Service Department of MTD.

The return of a complete unit will not be accepted by the factory unless prior written permission has been extended by MTD.

This warranty gives you specific legal rights. You may also have other rights which vary from state to state.



CAUTION

THIS UNIT SHOULD NOT BE TOWED ON ANY STREET, HIGHWAY OR PUBLIC ROAD. ANY LICENSING NEEDED TO COMPLY WITH THE EXISTING FEDERAL, LOCAL OR STATE VEHICLE REQUIREMENTS IS THE SOLE RESPONSIBILITY OF THE PURCHASER.

IMPORTANT

It is suggested that this manual be read in its entirety before attempting to assemble or operate. Keep this manual in a safe place for future reference and for ordering replacement parts.

Your log splitter is a precision piece of equipment, not a plaything. Therefore exercise extreme caution at all times.



SAFE OPERATION PRACTICES FOR LOG SPLITTERS

TRAINING

1. Do not allow children to operate. Do not allow adults to operate it without proper instruction. Only persons well acquainted with these rules of safe operation should be allowed to use your log splitter.
2. Never use your splitter for any other purpose than splitting wood. It is designed for this use only and any other use may cause an injury.
3. Only the operator is to be near your log splitter during use. Keep all others, including pets, a minimum of 20 feet away from your work zone. Flying wood can be hazardous.
2. Never place hands or feet between log and splitting wedge or between log and ram during forward or reverse stroke. To do so may result in crushed or amputated fingers or toes, **or worse**, you may lose an arm or foot.
3. Never try to split two logs on top of each other. One may fly out and injure you.
4. Never attempt to split wood across the grain. Some types of wood may burst or fly out of your splitter and result in injury to you or a bystander.
5. Only use your hand to operate the ram or control lever. Never use your foot or a rope or any other extension device. This could result in your inability to stop your splitter quickly enough and cause an injury.

PREPARATION

1. Do not wear loose fitting clothing that could get caught on the moving parts.
2. Do not operate equipment when barefoot or wearing open sandals. Always wear safety shoes or heavy boots. A dropped log can seriously injure your foot.
3. Use only in daylight or in good artificial light.
4. Never operate your splitter on slippery, wet, muddy, or icy surfaces. Safe footing is essential in preventing accidents.
5. Always wear safety glasses or goggles while operating your log splitter. A piece of splitting log could fly off and hit your eyes.
6. Both ends of each log must be cut square. This will prevent the log from flying out of the splitter while under pressure.
6. Only operate your splitter on the level ground and not on the side of a hill. It could tip, or rolling logs or poor footing could cause an accident.
7. When loading log splitter, place your hands on the side of the log, not at the ends.
8. For logs that are not cut square, the longest portion of the log should be rotated down and the most square end placed against the ram.

MAINTENANCE and STORAGE

OPERATION

1. No one should operate this unit while intoxicated or while taking medication that impairs the senses or reactions.
1. Don't operate your splitter in poor mechanical condition or when in need or repair.
2. Keep all nuts, bolts and screws tight to be sure equipment is in safe working condition.
3. Replace all damaged or worn parts with manufacturer approved replacement parts.
4. Never store outside without a waterproof cover. Rain will cause rust on the inside of the cylinder.

ASSEMBLY INSTRUCTIONS

CONTENTS OF HARDWARE PACK AND LOOSE PARTS: (See Figure 1)

- A (1) Handle Grip
- B (1) Handle
- C (1) Hairpin Cotter (may be rings)
- D (1) Clevis Pin (may be pin)
- E (1) Axle
- F (2) Push on caps 1/2" Dia.
- G (2) Spacers
- H (2) Wheels

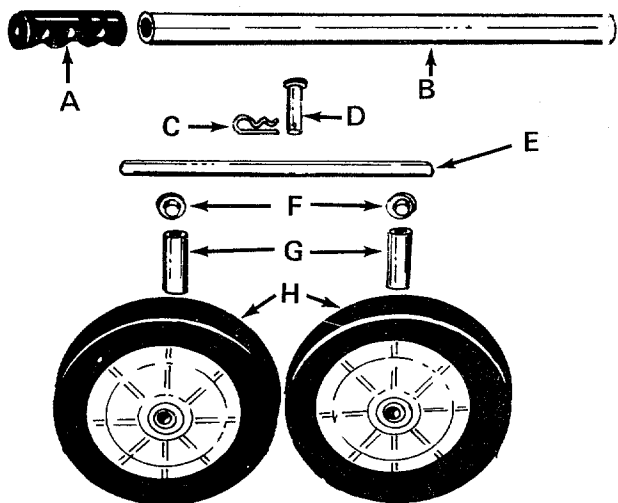


FIGURE 1

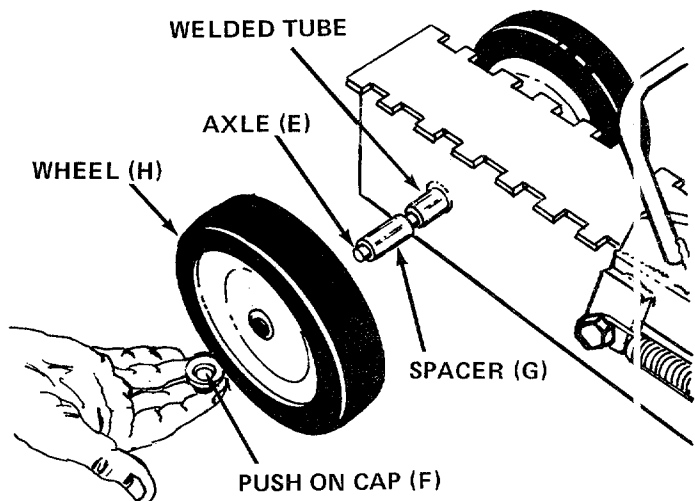


FIGURE 2

1. Remove the log splitter, loose parts and literature from carton. Check to be sure all parts are removed from carton before discarding the carton.
2. Place the axle (E) through the welded tube on splitter. See figure 2.
3. Next, place spacers (G) on each side of splitter, over axle. See figure 2.

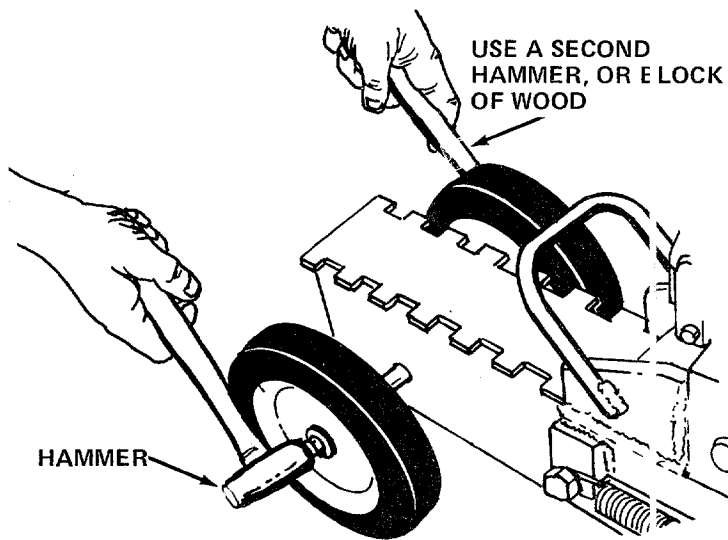


FIGURE 3

4. Next, place wheels (H) over each end of axle. See figure 3.
5. Secure wheels to axle with push on caps (F). A hammer and block of wood will be required to hammer on the caps. See figures 2 and 3.

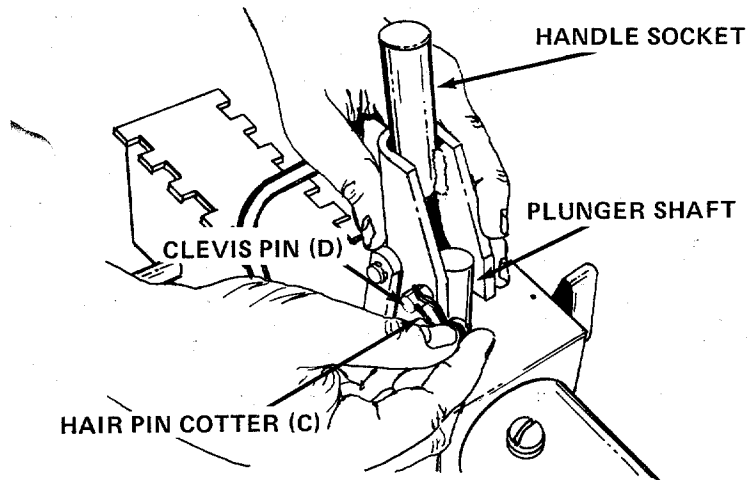


FIGURE 4

5. Lift the handle socket up so that the hole lines up with the hole in plunger shaft. See figure 4.
6. Secure handle socket to plunger shaft with hair pin (C) and clevis pin (D). See figure 4.
7. Place the handle grip (A) over one end of handle (B). Warm soapy water will aid in assembly. Tap grip on.
8. Place handle over handle socket.

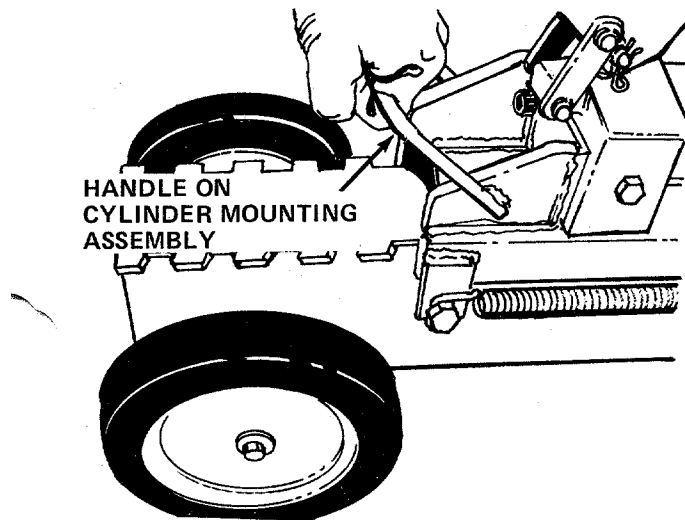


FIGURE 5

OPERATION

This 8 ton capacity hydraulic unit is a special design, manufactured for use one log splitter only.

1. This splitter can be adjusted manually for logs 8" to 24" long. There are twelve different settings. Settings are approximately 1-1/2" apart. See figure 5.
2. Simply lift up on handle of cylinder mounting assembly and slide the unit forward or backward for the correct log length. See figure 5.

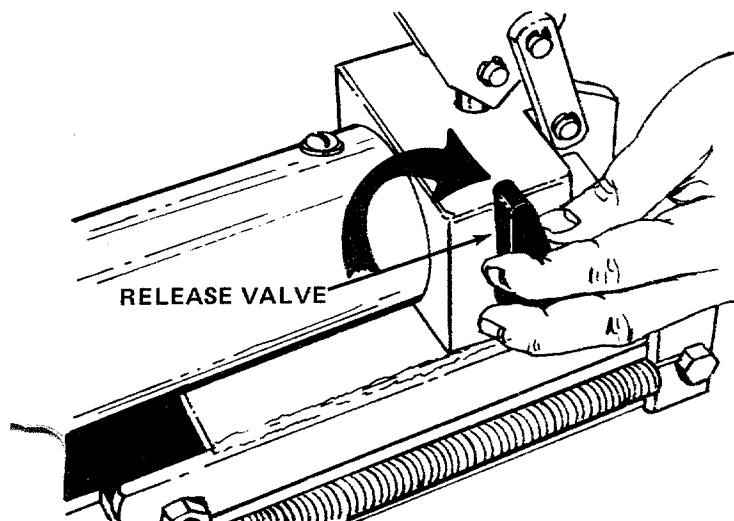


FIGURE 6

3. Pull the release valve up and back to lock. Then handle can be pumped to split logs. See figure 6.

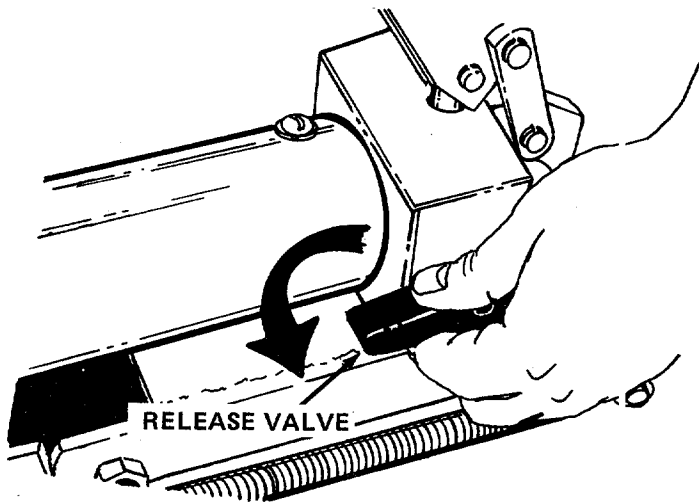
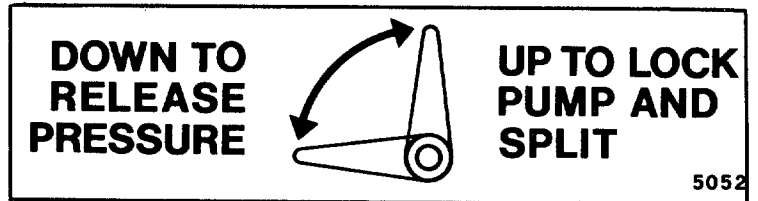


FIGURE 7

4. Push the release valve down and forward to release pressure. Cylinder will return, with the aid of two return springs. See figure 7 and copy of label below.



MAINTENANCE

RESERVOIR OIL

1. Lift the handle on the cylinder mounting assembly and pull cylinder assembly all the way back to the last notch. See figure 8.
2. Remove the pump handle.
3. Release the pressure in the cylinder.
4. Tip the log splitter up so it rests on the wheels and handle on cylinder assembly. See figure 8.
5. With a standard screwdriver, remove screw and washer from cylinder reservoir. See figure 8. If oil is up to hole, do not add any oil. If not, add oil to bring level up to hole. Oil capacity is 10 fluid ounces. Nuto H grade 32, or Exxon L.P. conventional #150 Hydraulic oil.

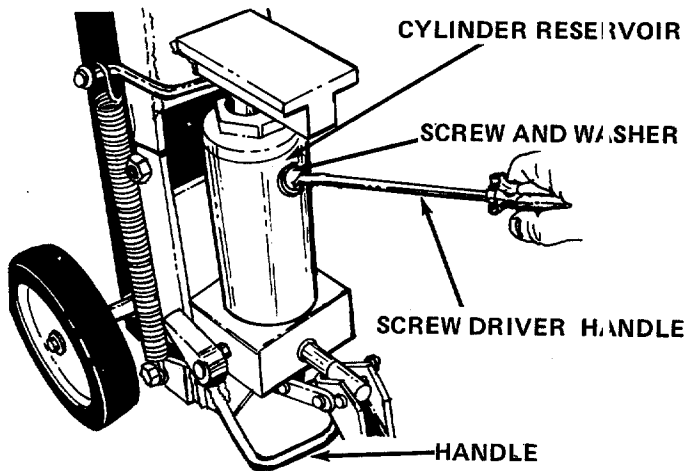


FIGURE 8

Notes

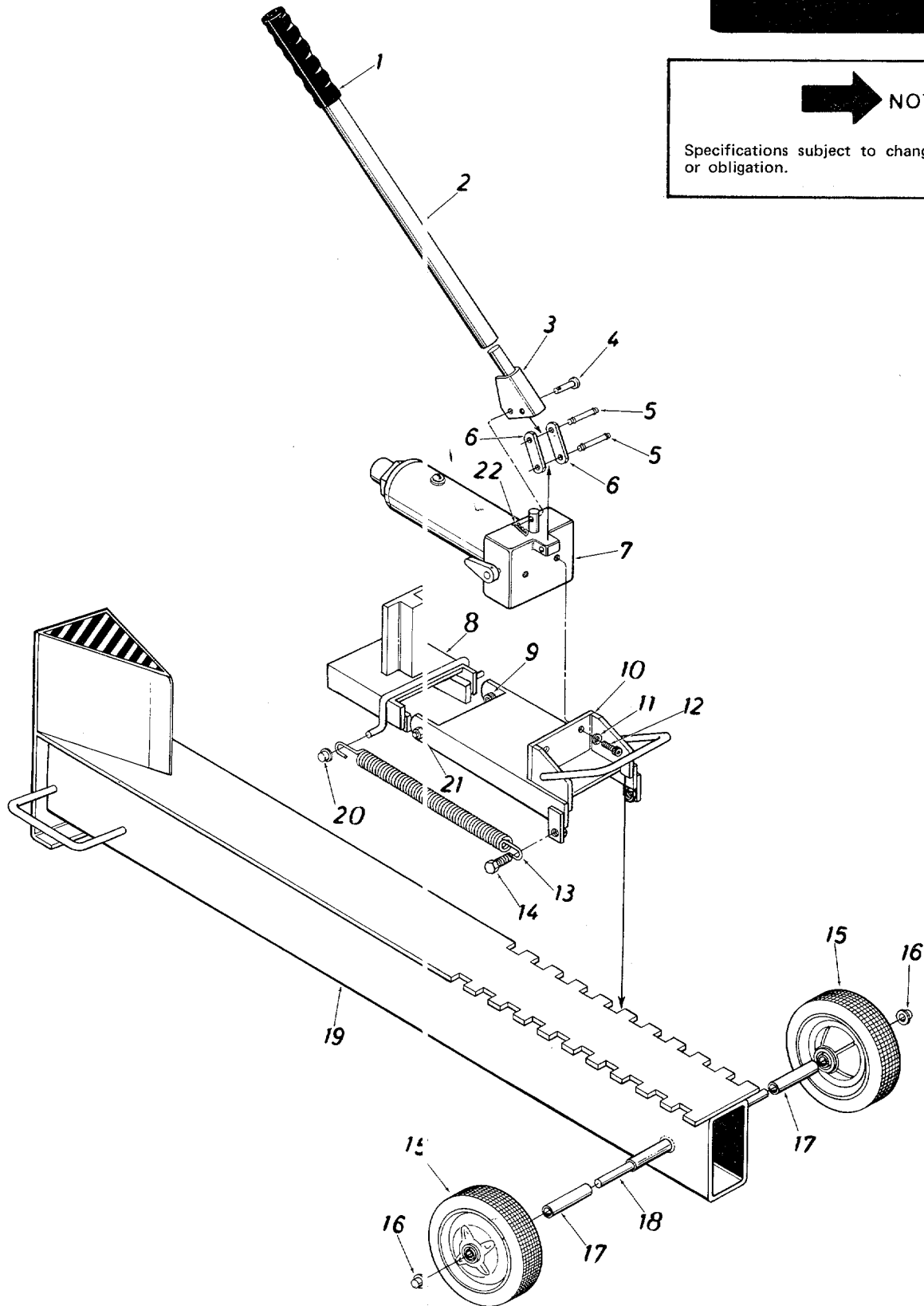
A large, empty rectangular box with a black border, intended for taking notes. On the left side of the box, there are three small, hand-drawn tick marks or brackets, one near the top, one in the middle, and one near the bottom.

Model 632

IF YOU WRITE TO US ABOUT THIS ARTICLE
OR IF YOU ORDER REPLACEMENT PARTS AL-
WAYS MENTION THIS MODEL & SERIAL NO
MODEL



Specifications subject to change without notice
or obligation.

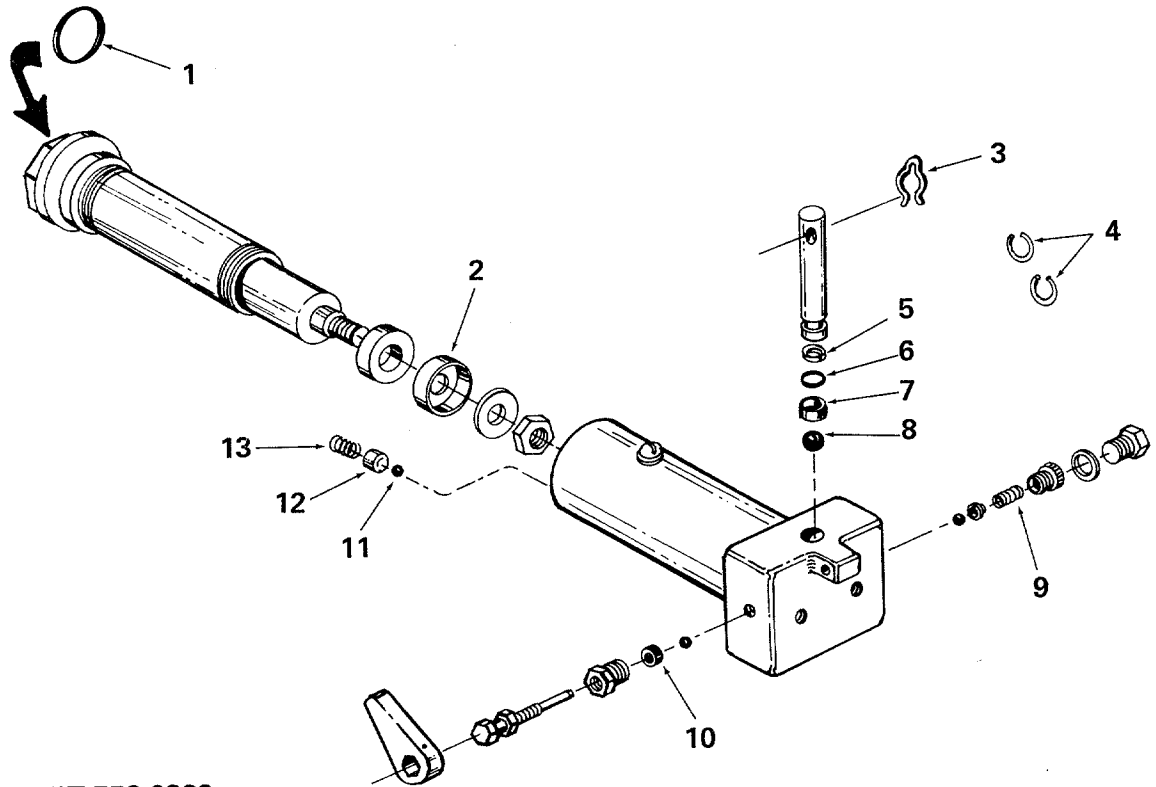


Model 632

PARTS LIST FOR MODEL 632 LOG SPLITTER

REF. NO.	PART NO.	QUAN.	DESCRIPTION	NEW PART	REF. NO.	PART NO.	QUAN.	DESCRIPTION	NEW PART
1	01166	1	Handle Grip		13	732-0466	2	Extension Spring .75" O.D. x 10.75" Lg.	N
2	747-0488	1	Handle 3/8" Dia. Rod	N					
3	HW-66713	1	Handle Socket	N	14	710-0820	2	Hex L.-Bolt 3/8-16 x .75" Lg.*	
4	711-0599	1	Clevis Pin (Service Only)		15	734-1079	2	Wheel 7.0" x 1.75"	
5	HW-66727	2	Pin & Ring Assembly	N	16	726-0221	2	1/2" Push Cap	
6	HW-66722	2	Link	N	17	750-0151	2	Spacer	
7	717-0614	1	Hydraulic Pump & Cylinder		18	738-0584	1	Axle 1/2" Dia. x 12" Lg.	N
8	781-0050	1	Push Plate Ass'y.	N	19	781-0066	1	Tube and Rail Ass'y.	N
9	710-0925	2	Socket Hd. Bolt 1/2-13 x .75" Lg.		20	726-0221	2	1/2" Push Cap	
					21	712-0384	2	Hex Cent. L.-Nut 1/2-13 Thd.	
10	781-0057	1	Cylinder Mounting						
11	736-0169	2	L.-Wash. 3/8" I.D.*		22	714-0149	1	Hair Pin Cotter (Service Only)	
12	710-0926		Socket Hd. Bolt 3/8-16 x .75" Lg.		---	753-0389	1	Kit-Seal (See Below)	N

*For faster service order standard nuts, bolts, and washers locally. If these items cannot be obtained locally, order by part number and size as shown on parts list.



PARTS IN SEAL-KIT 753-0389

REF. NO.	DESCRIPTION	REF. NO.	DESCRIPTION
1	Quad Ring	7	Ball Retainer
2	Cup	8	Ball
3	Hair Pin Clip	9	Spring
4	Pin Ring	10	Packing
5	Back-Up Washer	11	Ball
6	"O"-Ring	12	Ball Retainer
		13	Spring

MTD PRODUCTS INC YARD-MAN COMPANY

P.O. BOX 36900 • CLEVELAND OHIO 44136

Free Manuals Download Website

<http://myh66.com>

<http://usermanuals.us>

<http://www.somanuals.com>

<http://www.4manuals.cc>

<http://www.manual-lib.com>

<http://www.404manual.com>

<http://www.luxmanual.com>

<http://aubethermostatmanual.com>

Golf course search by state

<http://golfingnear.com>

Email search by domain

<http://emailbydomain.com>

Auto manuals search

<http://auto.somanuals.com>

TV manuals search

<http://tv.somanuals.com>