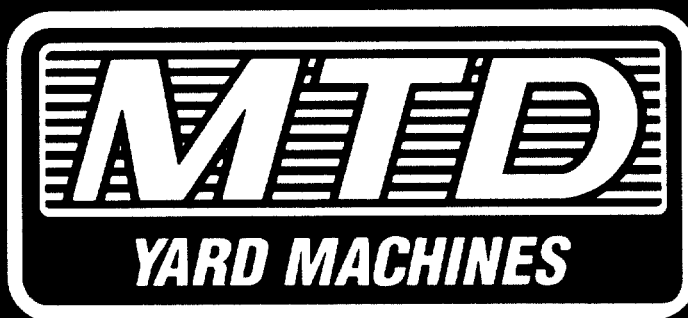


# ILLUSTRATED PARTS

AMERICAN  AMERICAN  
M A D E O W N E D  
OUTDOOR POWER EQUIPMENT



## 1995

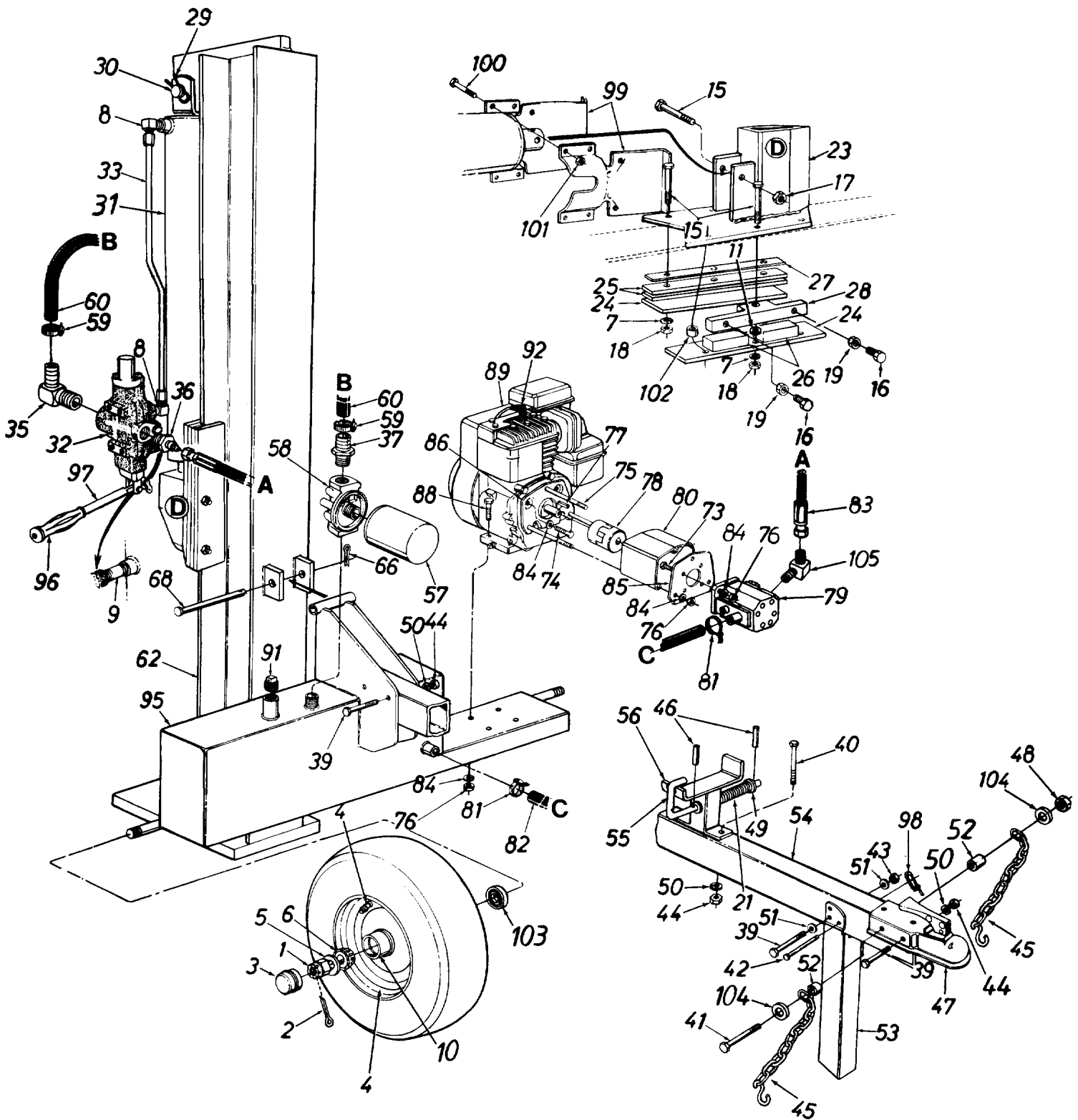
## LOG SPLITTERS

Model Number	Pages
245-630-000.....	2, 3
245-631-000.....	2, 3
245-635-000.....	4, 5
245-636-000.....	4, 5
245-638-000.....	6, 7

MTD PRODUCTS INC • P.O. BOX 368022 • CLEVELAND, OHIO 44136-9722

FORM NO. 770-95-7A

# Models 630 and 631



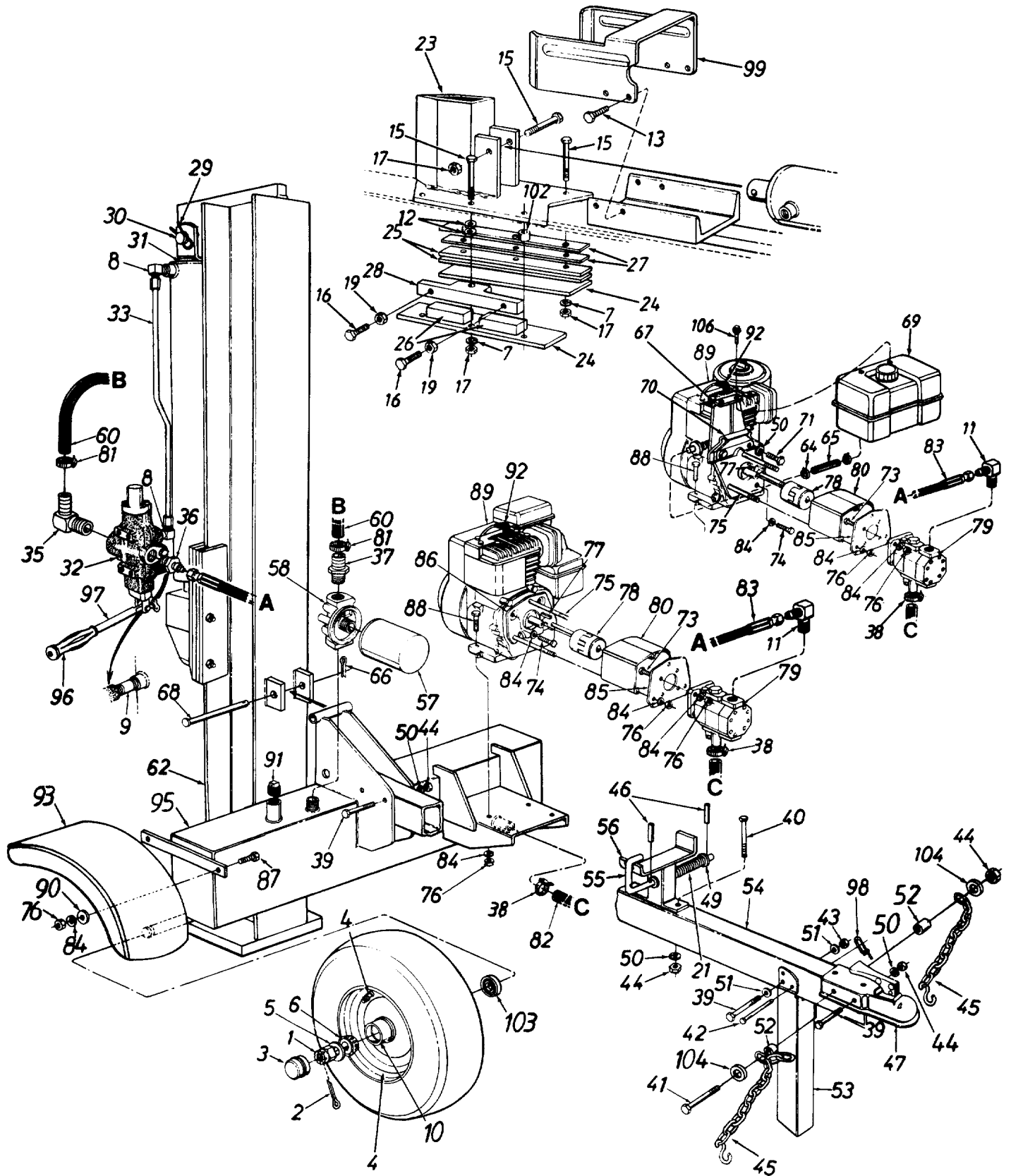
# Models 630 and 631

## PARTS LIST FOR MODELS 630 AND 631 LOG SPLITTERS

REF. NO.	PART NO.	CODE	DESCRIPTION	REF. NO.	PART NO.	CODE	DESCRIPTION
1	712-0359		Slotted Nut 3/4-16 Thd.	46	715-0116		Roll Pin
2	714-0162		Cotter Pin 5/32" Dia. x 1-1/4" Lg.	47	727-0311		Hitch Coupler
3	734-0873		Hub Cap	48	712-3000		Hex Ctr. L-Nut 3/8-16 Thd.
4	734-1016		Wheel Ass'y. Comp.	49	736-0116		FI-Wash. .635" I.D. x .93" O.D.
	734-0872		Tire Only	50	736-0169		L-Wash. 3/8" I.D.*
	734-1017		Rim Only	51	736-0185		FI-Wash. .406" I.D. x .75" O.D.
	721-0168		Bearing Seal Only	52	750-0507		Spacer 3/8" I.D. x .625" O.D.
	734-0255		Air Valve Only	53	781-0162		Jack Stand
5	736-0351		FI-Wash. .76" I.D. x 1.5" O.D.	54	781-0399		Tongue Tube
6	741-3028		Bearing Cone	55	781-0370A		Locking Rod
7	736-0921		L-Wash. 1/2" I.D.*	56	781-0398		Beam Support Ass'y.
8	737-0192		90° Solid Male Adapter	57	723-0405		Filter Element
9	737-0238		Pipe Nipple 1/2 NPT	58	723-0406		Filter Head
10	741-3029		Bearing Cup	59	726-0132		Hose Clamp 5/8"
11	736-0192		FI-Wash. .531" I.D. x .94" O.D.	60	727-0443		Return Hose 3/4" I.D. x 44" Lg.
15	710-1018		Hex Bolt 1/2-20 x 2.75" Lg. (Grade 8)	62	781-0404A		Vertical Beam Ass'y.
16	710-1032		Hex Bolt 3/8-24 x 1.5" Lg.	66	714-0470		Cotter Pin 1/8" Dia.
17	712-0239		Hex L-Nut 1/2-20 Thd.	68	738-0805		Hinge Pin 1/2 x 4.8" Lg.
18	712-0333		Hex Nut 1/2-20 Thd.	73	710-0117		Hex Bolt 5/16-24 x 1" Lg.
19	712-3001		Hex Jam Nut 3/8-24 Thd. (Grade 5)	74	710-0237		Hex Bolt 5/16-24 x .62" Lg.
21	732-0583		Comp. Spring 4" Lg.	75	710-0363		Hex Bolt 5/16-24 x 4" Lg.
23	781-0323B		Wedge Ass'y.	76	712-0123		Hex Nut 5/16-24 Thd.
24	781-0537		Back Plate	77	714-0122		Sq.-Key 3/16" x .75"
25	781-0350A		Fixed Side Gib	78	717-0891		Flexible Coupling
26	781-0351		Adjustable Gib	79	717-0936		Gear Pump
27	781-0352A		Adjustable Gib Shim	80	719-0278		Coupling Shield
28	781-0356		Floating Gib Plate	81	726-0174		Hose Clamp
29	714-0203		External Cotter Pin	82	727-0641		Suction Hose
30	715-0216		Cylinder Mounting Pin	83	727-0452		High Pressure Hydraulic Hose
31	718-0245		Hydraulic Cylinder (630)	84	736-0119		L-Wash. 5/16" I.D.*
	718-0262		Hydraulic Cylinder (631)	85	781-0097		Rear Coupling Support Brkt.
32	717-0899		Control Valve	86	781-0098		Front Coupling Support Brkt.
33	727-0323		Metal Pressure Tube	88	710-0409		Hex Bolt 5/16-24 x 1.75" Lg.
35	737-0153		Return Elbow	89	—		Engine
36	737-0279		Adapter	91	737-0236		L-Vent Pipe Plug
37	737-0235		3/4" Hose Barb.	92	735-0639		Spark Plug Boot
39	710-3066		Hex Bolt 3/8-16 x 2.75" Lg. (Grade 8)	95	781-0501A		Tank Ass'y.
40	710-0411		Hex Bolt 3/8-16 x 4" Lg.	96	720-0235		Grip
41	710-3080		Hex Bolt 3/8-16 x 4" Lg. (Grade 5)	97	747-0583		Control Handle
42	711-0813		Clevis Pin 5/16 x 2.5" Lg.	98	732-0194		Spring Pin
43	712-0375		Hex L-Nut 3/8-16 Thd.	99	781-0168A		Stripper Plate
44	712-0798		Hex Nut 3/8-16 Thd.*	100	710-3144		Hex Bolt 3/8-16 x 2.0" Lg. (Gr. 5)
45	713-0433		Chain—Tow Hitch	101	712-0430		Hex L-Nut 3/8-16 Thd.
				102	750-0743		Spacer 1/2" I.D. x .68" Lg.
				103	721-0168		Bearing Seal Only
				104	736-0262		FI-Wash. 3/8" I.D. x .87" O.D.
				105	737-0265		90° Male Adapter

\*For faster service obtain standard nuts, bolts and washers locally.  
If these items cannot be obtained locally, order by part number  
and size as shown on parts list.

# Models 635 and 636



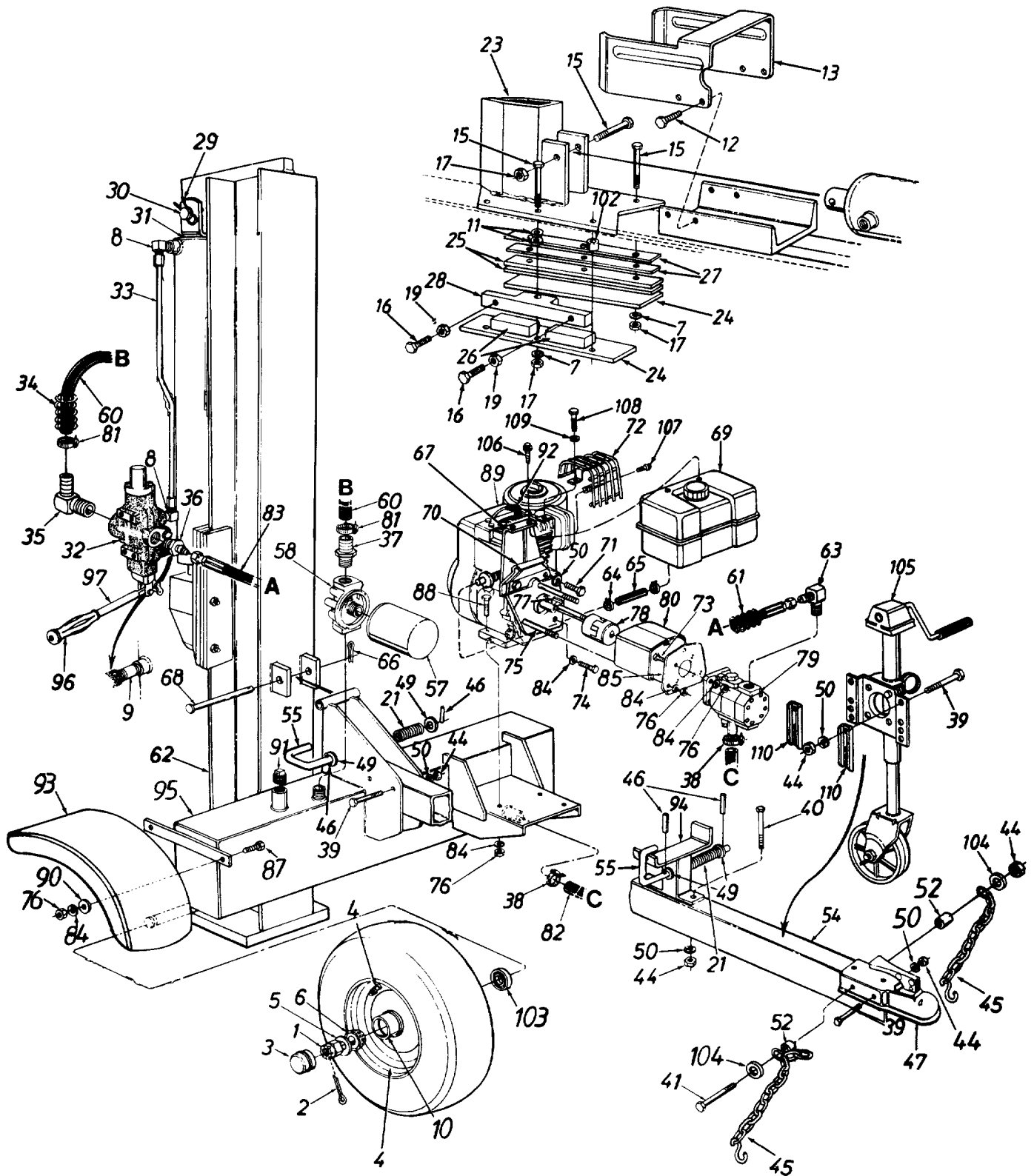
# Models 635 and 636

## PARTS LIST FOR MODELS 635 AND 636 LOG SPLITTERS

REF. NO.	PART NO.	CODE	DESCRIPTION	REF. NO.	PART NO.	CODE	DESCRIPTION
1	712-0359		Slotted Nut 3/4-16 Thd.	54	781-0399		Tongue Tube
2	714-0162		Cotter pin 5/32" Dia.	55	781-0370A		Locking Rod
3	734-0873		Hub Cap	56	781-0398		Beam Support Ass'y.
4	734-1016		Wheel Ass'y. Comp.	57	723-0405		Filter Element
	734-0872		Tire Only	58	723-0406		Filter Head
	734-1017		Rim Only	60	727-0443		Return Hose 3/4" I.D. x 44" Lg.
	734-0255		Air Valve Only	62	681-0014		Vertical Beam Ass'y.
5	736-0351		FI-Wash. .76" I.D. x 1.5" O.D.	64	726-0199		Hose Clamp .37" Dia. (636)
6	741-3028		Bearing Cone	65	751-0535-15		Fuel Line 15" Lg. (636)
7	736-0921		L-Wash. 1/2" I.D.*	66	714-0470		Cotter Pin 1/8" Dia.
8	737-0192		90° Solid Male Adaptor	67	681-0034		Tank Mtg. Brkt. (636)
9	737-0238		Pipe Nipple 1/2 NPT	68	738-0805		Hinge Pin 1/2 x 4.8" Lg.
10	741-3029		Bearing Cup	69	751-0570		Fuel Tank Ass'y. (636)
11	737-0265		90° Male Adapter (635)	70	781-0536		Support Brkt. (636)
	737-0264		90° Male Adapter (636)	71	710-0253		Hex Bolt 3/8-16 x 1" Lg. (636)
12	736-0192		FI-Wash. .531" I.D. x .94" O.D.	73	710-0117		Hex Bolt 5/16-24 x 1" Lg.
13	710-0514		Hex Cap Scr. 3/8-16 x 1" Lg.	74	710-0237		Hex Bolt 5/16-24 x .62" Lg.
15	710-1018		Hex Bolt 1/2-20 x 2.75" Lg. (Grade 8)	75	710-0363		Hex Bolt 5/16-24 x 4" Lg. (635)
16	710-1032		Hex Bolt 3/8-24 x 1.5" Lg.		710-1253		Hex Bolt 5/16-24 x 5.25" Lg. (636)
17	712-0239		Hex L-Nut 1/2-20 Thd.	76	712-0123		Hex Nut 5/16-24 Thd.
19	712-3001		Hex Jam Nut 3/8-24 Thd. (Grade 5)	77	714-0122		Sq. Key 3/16" x .75" (635)
21	732-0583		Comp. Spring 4" Lg.		714-0114		Sq. Key 1/4" x 2" Lg. (636)
23	781-0323B		Wedge Ass'y.	78	717-0891		Flexible Coupling (635)
24	781-0537		Back Plate		717-0462		Flexible Coupling (636)
25	781-0350A		Fixed Side Gib	79	717-0936		Gear Pump (635)
26	781-0351		Adjustable Gib		718-0248		Gear Pump (636)
27	781-0352A		Adjustable Gib Shim	80	719-0278		Coupling Shield (635)
28	781-0356		Floating Gib Plate		719-0315		Coupling Shield (636)
29	714-0203		External Cotter Pin	81	726-0132		Hose Clamp 5/8"
30	715-0216		Cylinder Mounting Pin	82	727-0451		Suction Hose
31	718-0246		Hydraulic Cylinder	83	727-0452		High Pressure Hydraulic Hose 48"
32	717-0899		Control Valve	84	736-0119		L-Wash. 5/16" I.D.*
33	727-0323		Metal Pressure Tube	85	781-0097		Rear Coupling Support Brkt.
35	737-0153		Return Elbow	86	781-0098		Front Coupling Support Brkt. (635)
36	737-0279		Adapter				
37	737-0235		3/4" Hose Barb.	87	710-0157		Hex Bolt 5/16-24 x .75" Lg.
38	726-0174		Hose Clamp	88	710-0409		Hex Bolt 5/16-24 x 1.75" Lg.
39	710-0521		Hex Bolt 3/8-16 x 3" Lg. (Grade 8)	89	—		Engine
40	710-0411		Hex Bolt 3/8-16 x 4" Lg.	90	736-0159		FI-Wash. .344" I.D. x .875" O.D.
41	710-0944		Hex Bolt 3/8-16 x 4.25" Lg. (Grade 5)	91	737-0236		L-Vent Pipe Plug
42	711-0813		Clevis Pin 5/16 x 2.5" Lg.	92	735-0639		Spark Plug Boot (Optional)
43	712-0375		Hex L-Nut 3/8-16 Thd.	93	781-0556		Fender
44	712-0798		Hex Nut 3/8-16 Thd.	95	681-0011		Frame Weldment
45	713-0433		Chain—Tow Hitch	96	720-0235		Grip
46	715-0116		Roll Pin	97	747-0583		Control Handle
47	727-0311		Hitch Coupler	98	732-0194		Spring Pin
49	736-0116		FI-Wash. .635" I.D. x .93" O.D.	99	781-0525		Dislodger
50	736-0169		L-Wash. 3/8" I.D.*	102	750-0750		Spacer 1/2" I.D. x .86" Lg.
51	736-0185		FI-Wash. .406" I.D. x .75" O.D.	103	721-0168		Bearing Seal Only
52	750-0497		Spacer .44" Lg.	104	736-0262		FI-Wash. 3/8" I.D. x .87" O.D.
53	781-0162		Jack Stand	106	710-0895		Hex AB-Tap Scr. 1/4 x .75" Lg. (636)

\*For faster service obtain standard nuts, bolts and washers locally.  
If these items cannot be obtained locally, order by part number  
and size as shown on parts list.

# Model 638



# Model 638

## PARTS LIST FOR MODEL 638 LOG SPLITTER

REF. NO.	PART NO.	CODE	DESCRIPTION	REF. NO.	PART NO.	CODE	DESCRIPTION
1	712-0359		Slotted Nut 3/4-16 Thd.	55	781-0370A		Locking Rod
2	714-0162		Cotter Pin 5/32" Dia.	57	723-0405		Filter Element
3	734-0873		Hub Cap	58	723-0406		Filter Head
4	734-1016		Wheel Ass'y. Comp.	60	727-0443		Return Hose 3/4" I.D. x 44" Lg.
	734-0872		Tire Only	61	781-0538		Hose Guard
	734-1017		Rim Only	62	681-0014		Vertical Beam Weldment
	734-0255		Air Valve Only	63	737-0264		90° Adapter (Male)
5	736-0351		FI-Wash. .76" I.D. x 1.5" O.D.	64	726-0199		Hose Clamp .37" Dia.
6	741-3028		Bearing Cone	65	751-0535-15		Fuel Line (6" Lg.)
7	736-0921		L-Wash. 1/2" I.D.*	66	714-0470		Cotter Pin 1/8" Dia.
8	737-0192		90° Solid Male Adaptor	67	781-0535		Tank Mtg. Brkt.
9	737-0238		Pipe Nipple 1/2 NPT	68	738-0805		Hinge Pin 1/2 x 4.8" Lg.
10	741-3029		Bearing Cup	69	751-0570		Fuel Tank Ass'y.
11	736-0192		FI-Wash. .531" I.D. x .94" O.D.	70	781-0536		Support Brkt.
12	710-0514		Hex Cap Scr. 3/8-16 x 1" Lg.	71	710-0253		Hex Bolt 3/8-16 x 1" Lg.
13	781-0525		Dislodger	72	751-0580		Muffler Guard
15	710-1018		Hex Bolt 1/2-20 x 2.75" Lg. (Grade 8)	73	710-0117		Hex Bolt 5/16-24 x 1" Lg.
				74	710-0237		Hex Bolt 5/16-24 x .62" Lg.
16	710-1032		Hex Bolt 3/8-24 x 1.5" Lg.	75	710-1253		Hex Bolt 5/16-24 x 5.25" Lg.
17	712-0239		Hex L-Nut 1/2-20 Thd.	76	712-0123		Hex Nut 5/16-24 Thd.
19	712-3001		Hex Jam Nut 3/8-24 Thd. (Grade 5)	77	714-0114		Sq.-Key 1/4" x 2" Lg.
				78	717-0462		Flexible Coupling
21	732-0583		Comp. Spring 4" Lg.	79	718-0248		Gear Pump
23	781-0323B		Wedge Ass'y.	80	719-0315		Coupling Shield
24	781-0537		Back Plate	81	726-0132		Hose Clamp 5/8"
25	781-0350A		Fixed Side Gib	82	727-0451		Suction Hose 1" I.D.
26	781-0351		Adjustable Gib	83	727-0452		High Pressure Hydraulic Hose 48"
27	781-0352A		Adjustable Gib Shim				
28	781-0356		Floating Gib Plate	84	736-0119		L-Wash. 5/16" I.D.*
29	714-0203		External Cotter Pin	85	781-0097		Rear Coupling Support Brkt.
30	715-0216		Cylinder Mounting Pin	87	710-0157		Hex Bolt 5/16-24 x .75" Lg.
31	718-0247		Hydraulic Cylinder	88	710-0409		Hex Bolt 5/16-24 x 1.75" Lg.
32	717-0899		Control Valve	89	—		Engine
33	727-0323		Metal Pressure Tube	90	736-0159		FI-Wash. .344" I.D. x .875" O.D.
34	781-0526		Hose Guard				
35	737-0153		Return Elbow	91	737-0236		L-Vent Pipe Plug
36	737-0279		Adapter	92	735-0639		Spark Plug Boot (Optional)
37	737-0235		3/4" Hose Barb.	93	781-0556		Fender
38	726-0174		Hose Clamp 1.5" O.D.	94	681-0008		Support Ass'y.
39	710-0521		Hex Bolt 3/8-16 x 3" Lg. (Grade 8)	95	681-0011		Frame Weldment
				96	720-0235		Grip
40	710-3153		Hex Bolt 3/8-16 x 4.75" Lg.	97	747-0583		Control Handle
41	710-0944		Hex Bolt 3/8-16 x 4.25" Lg.	102	750-0750		Spacer 1/2" I.D. x .86" Lg.
44	712-0798		Hex Nut 3/8-16 Thd.	103	721-0168		Bearing Seal Only
45	713-0433		Chain—Tow Hitch	104	736-0262		FI-Wash. 3/8" I.D. x .87" O.D.
46	715-0116		Roll Pin	105	681-0006		Jack Stand
47	727-0311		Hitch Coupler	106	710-0895		Hex AB-Tap Scr. 1/4 x 3/4" Lg.
49	736-0116		FI-Wash. .635" I.D. x .93" O.D.	107	710-0200		Hex Wash. Hd. Scr. #8 x .5" Lg.
50	736-0169		L-Wash. 3/8" I.D.*	108	710-0289		Hex Bolt 1/4-20 x .5" Lg.*
52	750-0497		Spacer .445" Lg.	109	736-0142		FI-Wash. .25" I.D. x .5" O.D.
54	781-0368A		Tongue Tube	110	781-0558		Jack Stand Brkt.

\*For faster service obtain standard nuts, bolts and washers locally.  
If these items cannot be obtained locally, order by part number  
and size as shown on parts list.

## Free Manuals Download Website

<http://myh66.com>

<http://usermanuals.us>

<http://www.somanuals.com>

<http://www.4manuals.cc>

<http://www.manual-lib.com>

<http://www.404manual.com>

<http://www.luxmanual.com>

<http://aubethermostatmanual.com>

Golf course search by state

<http://golfingnear.com>

Email search by domain

<http://emailbydomain.com>

Auto manuals search

<http://auto.somanuals.com>

TV manuals search

<http://tv.somanuals.com>