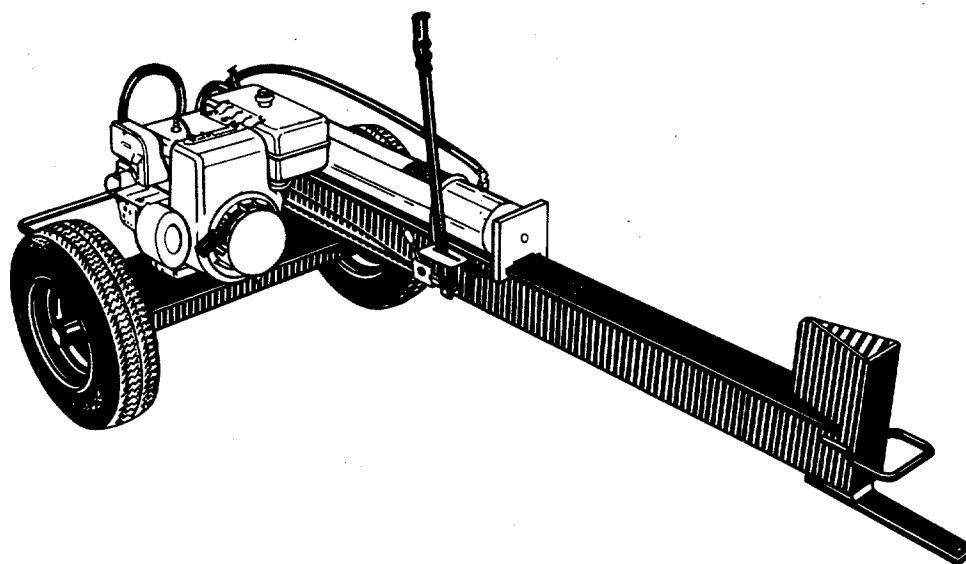


# OWNER'S GUIDE



**ASSEMBLY • OPERATION • MAINTENANCE • PARTS**

## 8 H.P. LOG SPLITTER

**Important:**

**Read Safety Rules and  
Instructions Carefully**

**Model Number**

**241-645A**

Thank you for purchasing an  
American built product.

# INDEX

Safe Operation Practices .....	3	Storage.....	11
List of Contents in Hardware Pack .....	4	Exploded View .....	12, 14
Assembly Instructions .....	4	Repair Parts List .....	13, 14
Operation Instructions .....	5	Parts Information .....	Back Cover
Maintenance and Adjustments .....	9		

## LIMITED WARRANTY

For one year from the date of original retail purchase, MTD PRODUCTS INC will either repair or replace, at its option, free of charge, F.O.B. factory or authorized service firm, any part or parts found to be defective in material or workmanship. Transportation charges under this warranty must be paid by the purchaser unless return is requested by MTD PRODUCTS INC.

This warranty will not apply to any part which has become inoperative due to misuse, excessive use, accident, neglect, improper maintenance, alterations, or unless the unit has been operated and maintained in accordance with the instructions furnished. This warranty does not apply to the engine, motor, battery, battery charger or component parts thereof. Please refer to the applicable manufacturer's warranty on these items.

This warranty will not apply where the unit has been used commercially.

Warranty service is available through your local authorized service dealer or distributor. If you do not know the dealer or distributor in your area, please write to the Customer Service Department of MTD.

This warranty gives you specific legal rights. You may also have other rights which vary from state to state.



**WARNING**

### TO PURCHASERS OF INTERNAL COMBUSTION ENGINE EQUIPPED MACHINERY OR DEVICES IN THE STATE OF CALIFORNIA

The equipment which you have just purchased does not have a spark arrester. If this equipment is used on any forest covered land, brush covered land, or grass covered unimproved land in the State of California, before using on such land, the California law requires that a spark arrester be provided. In addition, spark arrester is required by law to be in effective working order. The spark arrester must be attached to the exhaust system and comply with Section 4442 of the California Public Resources Code.

# ➔ IMPORTANT

It is suggested that this manual be read in its entirety before attempting to assemble or operate. Keep this manual in a safe place for future reference and for ordering replacement parts.

This unit is shipped WITHOUT GASOLINE or OIL. After assembly, see operating section of this manual for proper fuel and amount.

Your log splitter is a precision piece of power equipment, not a plaything. Therefore exercise extreme caution at all times.

## SAFE OPERATION PRACTICES FOR LOG SPLITTERS

### TRAINING

1. Know the controls and how to stop quickly--  
**READ THE OWNER'S MANUAL.**
2. Do not allow children to operate. Do not allow adults to operate it without proper instruction. Only persons well acquainted with these rules of safe operation should be allowed to use your log splitter.
- C. Open doors if engine is run in garage--exhaust fumes are dangerous. Do not run engine indoors.
6. Always operate the log splitter from the engine side of the beam.

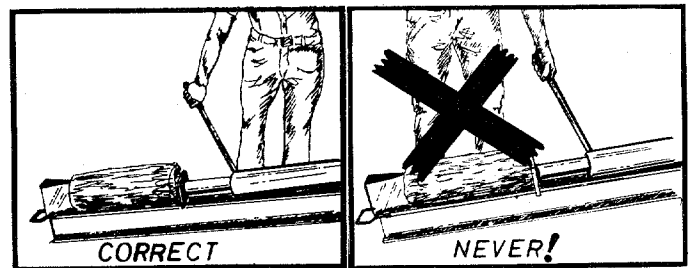
### PREPARATION

1. Do not wear loose fitting clothing that could get caught on the moving parts.  
Do not operate equipment when barefoot or wearing open sandals. Always wear substantial footwear.
3. Check the fuel before starting the engine. Do not fill the gasoline tank indoors, when the engine is running, or while the engine is still hot. Wipe off any spilled gasoline before starting the engine.
4. Use only in daylight or in good artificial light.
5. Never operate the equipment in the rain. Always be sure of your footing.

### OPERATION

1. Do not change the engine governor settings or overspeed the engine. Excessive engine speeds are dangerous.
2. Do not put hands or feet near rotating or moving parts.
3. If the equipment should start to vibrate abnormally, stop the engine and check immediately for the cause. Vibration is generally a warning of trouble.
4. When cleaning, repairing or inspecting, make certain all moving parts have stopped. Disconnect the spark plug wire, and keep the wire away from the plug to prevent accidental starting.
5. Handle gasoline with care--it is highly flammable.
  - A. Use approved gasoline container.
  - B. Never remove cap or add gasoline to a running or hot engine or fill fuel tank indoors. Wipe up spilled gasoline.

Stand behind the ram when operating. See drawings.



7. Be careful not to touch the muffler after the engine has been running, it is **HOT**.

### MAINTENANCE and STORAGE

1. Keep all nuts, bolts, screws, hose clamps and hydraulic fittings tight to be sure equipment is in safe working condition.
2. Never store the equipment with gasoline in the tank inside of a building where fumes may reach an open flame or spark. Allow the engine to cool before storing in any enclosure.
3. To reduce fire hazard keep engine free of grass, leaves, wood chips, excessive grease and oil.
4. Do not change the engine governor settings or overspeed the engine. Excessive engine speeds are dangerous.
5. Never store outside without a waterproof cover. Rain will cause rust on the inside of the cylinder.

## TOOLS REQUIRED:

- (1) Raw Hide or Plastic Hammer
- (1) 1-1/8" Wrench or Adjustable Wrench
- (1) 3/4" Wrench

## OTHER MATERIALS NEEDED:

- (A) One gallons of regular grade gasoline (for engine)
- (B) 1-1/2 pints of SAE 30 or 10W oil (for engine)
- (C) Approximately 3 gallons of Dexron II automatic transmission fluid. (May be obtained at your local service station or auto parts store).
- (E) Automotive Grease
- (F) Funnel

## LIST OF CONTENTS IN HARDWARE PACK:

See figure 1.

- (A) (2) Spacers
- (B) (2) Tapered Roller Bearings
- (C) (2) Hex Castle Nuts 3/4-16 Thread
- (D) (2) Cotter Pins
- (E) (2) Hub Caps
- (F) (1) Shoulder Bolt
- (G) (1) Flat Washer

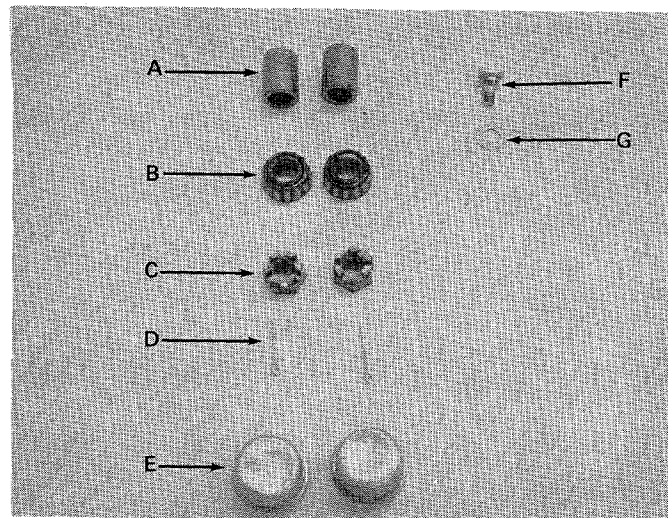


FIGURE 1

## ASSEMBLY INSTRUCTIONS

1. Pack the tapered roller bearings with automotive grease.



Do Not put any grease in the hub caps.

2. Place one spacer (A) on axle, next one wheel, and tapered roller bearing (B). See figure 2.

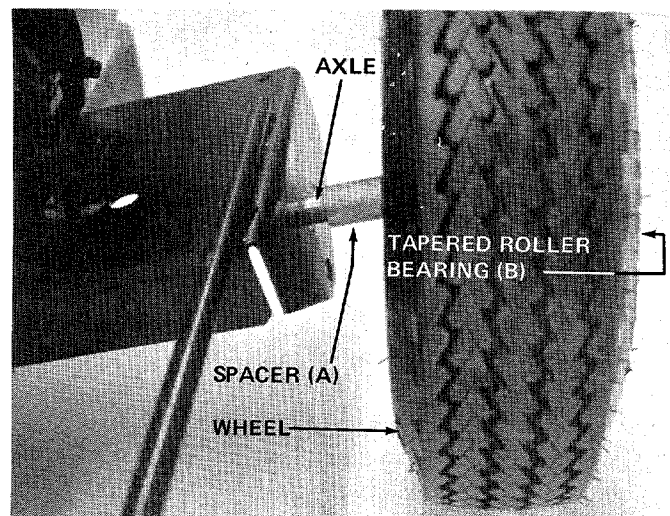


FIGURE 2

- Thread hex castle nut (C) on axle. Tighten castle nut until snug, back off approximately 1/3 turn or until one of the slots on the castle nut lines up with hole in axle. Secure castle nut to axle with cotter pin (D). See figure 3.

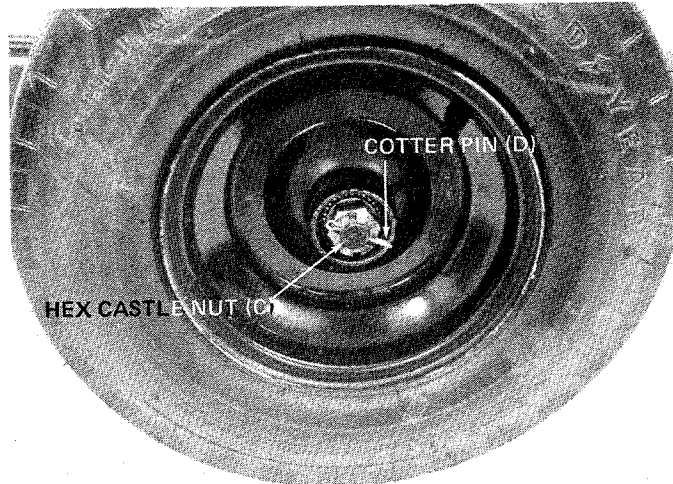


FIGURE 3

- Place hub cap (E) in position on wheel and tap on with a plastic hammer. See figure 4.

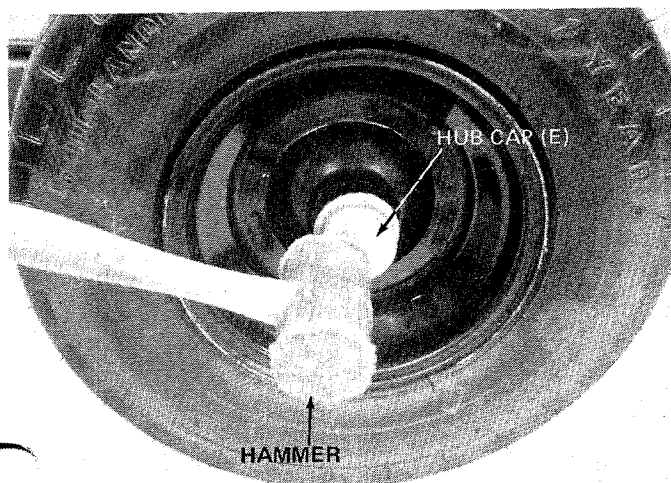


FIGURE 4

- Repeat steps 1 through 4 for the second wheel.
- Secure engagement handle to beam with shoulder bolt (F) and flat washer (G). See figure 5.

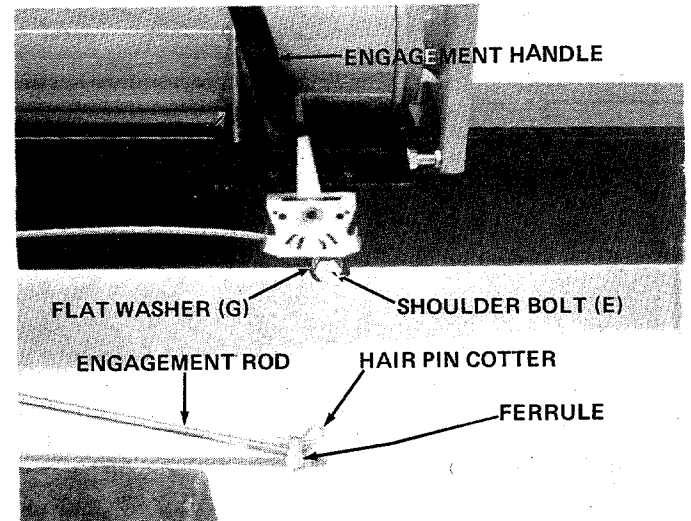


FIGURE 5

- Remove the hair pin cotter from ferrule.
- Secure engagement rod to engagement handle with hair pin cotter. See figure 5.

## OPERATION

- Service engine with gas and oil. See engine manual packed with log splitter for complete instructions for the care and maintenance of engine. **READ DIRECTIONS CAREFULLY.**
- Fill fuel tank with one gallon of regular grade gasoline. See figure 6.
- Engine will require 1-1/2 pints of SAE 30 or 10W30 oil. Remove oil dipstick. See figure 6.

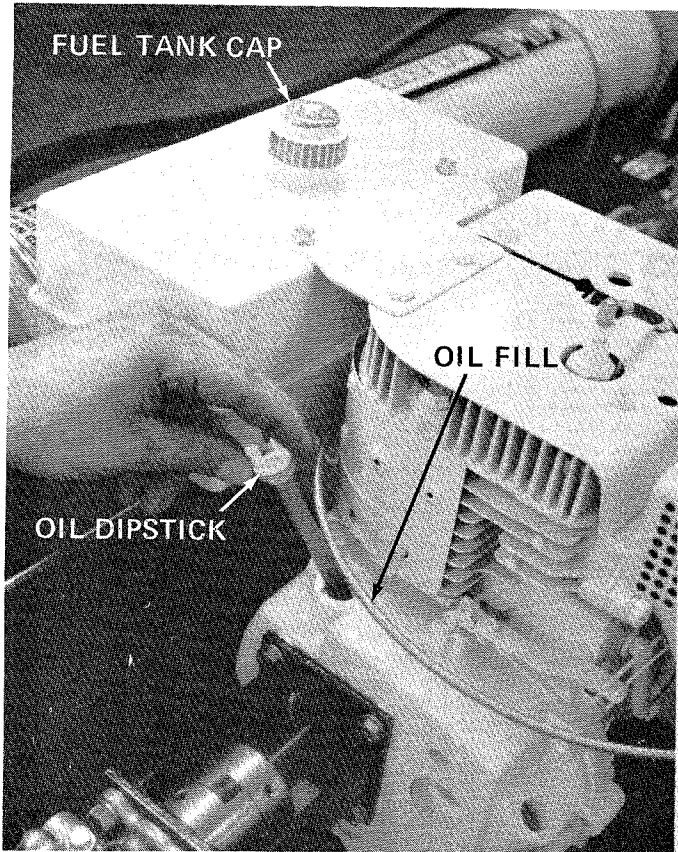


FIGURE 6

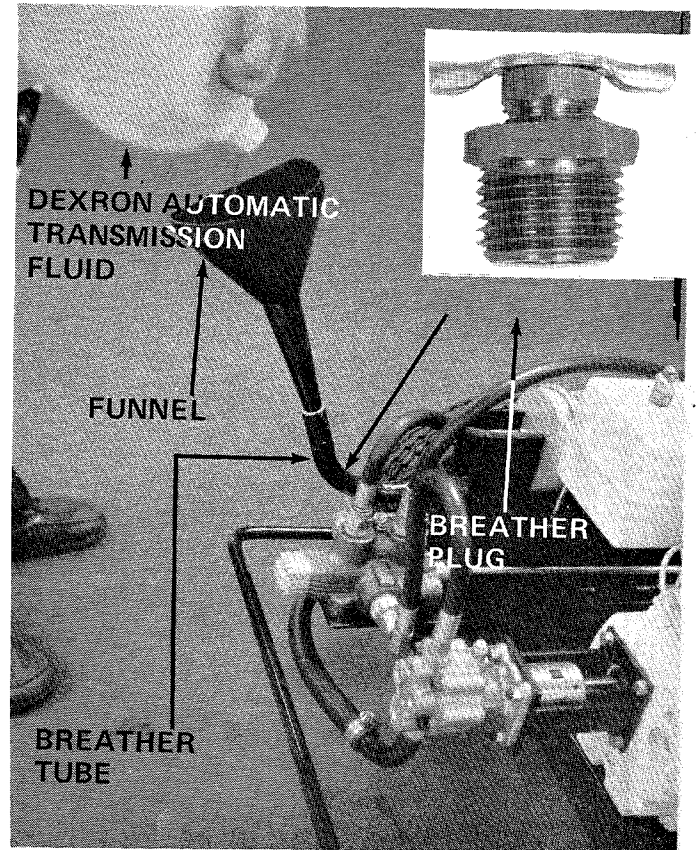


FIGURE 7



You must not operate log splitter without proper amount of oil in reservoir tank. (Beam)

4. Remove the breather plug from breather tube. See figure 7. Pour approximately 3 gallons of Dexron automatic transmission fluid ONLY into breather tube.

## BEFORE STARTING ENGINE:

During initial break-in period, oil level should be watched closely. See ENGINE MANUAL.

Use MS classification oil. Do not use oils marked only MM or ML or unmarked.

Above 32° use SAE 30; below 32° use SAE 10W. These recommendations must be followed for best performance and long life.

Change oil first two (2) hours of operation and check oil level every five (5) operating hours or each time equipment is used.

Change oil every twenty-five (25) operating hours or sooner if equipment is operated in extremely dusty or dirty conditions.

### LOG SPLITTER:

The oil in the reservoir should be changed every (100) hours of operation.



Carburetors are preset at the factory. DO NOT attempt to make adjustments at this time. See carburetor instructions outlined under CARBURETOR ADJUSTMENT in Engine Manual.

The ram should take approximately 30 seconds to make a complete cycle. This speed may vary depending on throttle setting and temperature of oil.

## TO START ENGINE

1. Place throttle control lever (on beam) in run position. See figure 8.
2. Move choke lever to CHOKE position. See figure 9.

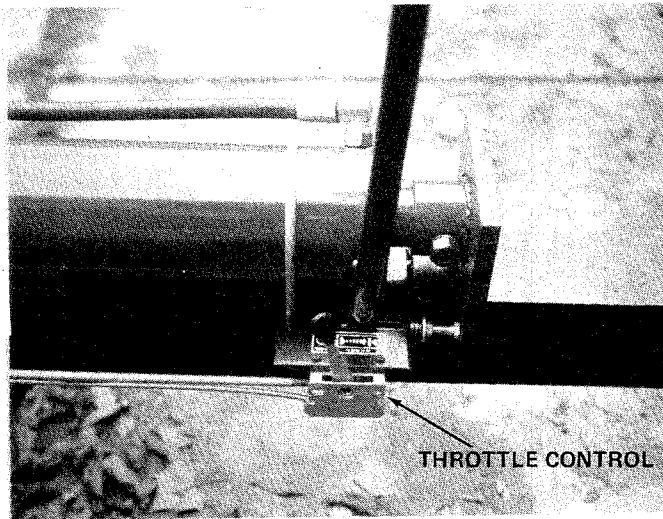


FIGURE 8

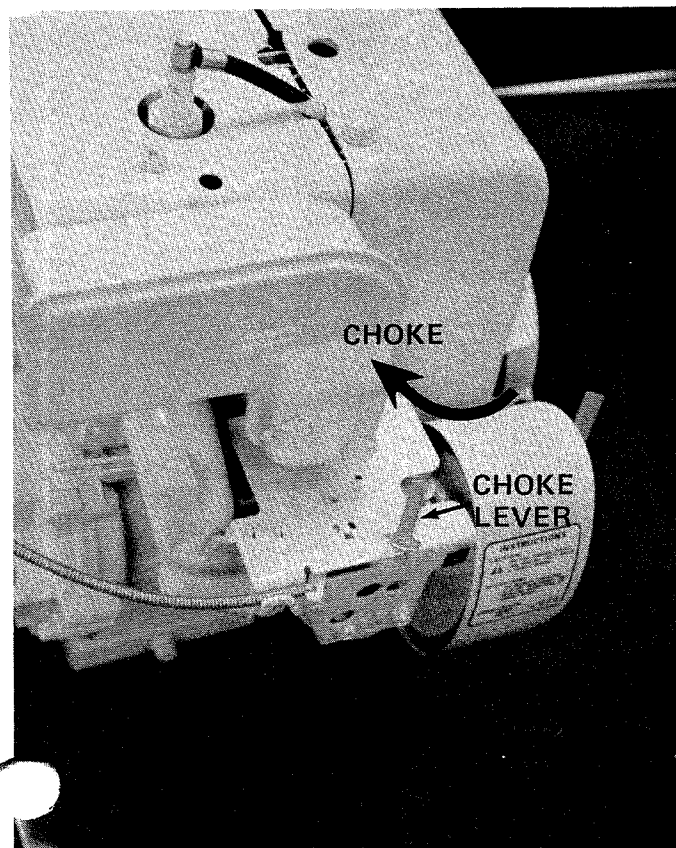


FIGURE 9

3. Open the breather valve. Valve must be open when running log splitter. Valve must be closed when transporting log splitter. See figure 10.

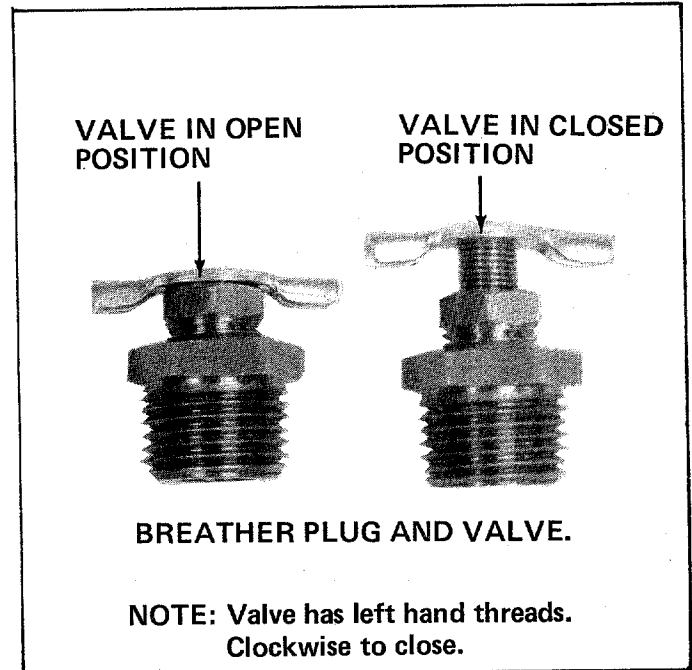


FIGURE 10

4. Rewind starter — place one foot on wheel and with a quick full arm stroke, keep firm grip on handle and return rope slowly. See figure 11.

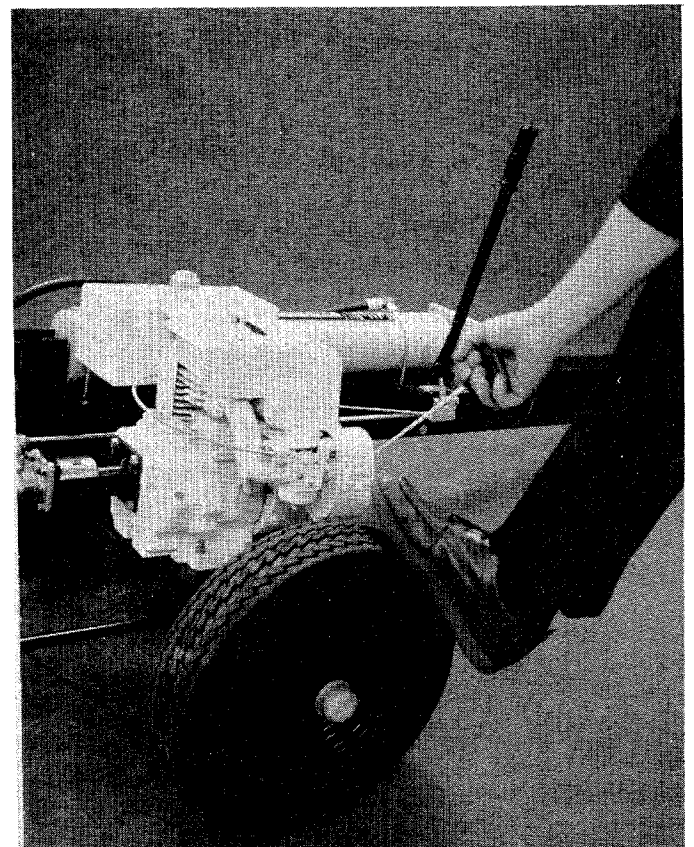


FIGURE 11

## TO STOP ENGINE

1. Move throttle control lever to STOP position. See figure 8.
2. Remove high tension wire from spark plug to prevent accidental starting by children while equipment is unattended.

## USING YOUR LOG SPLITTER

Your log splitter is designed for safe, efficient, operation. CARE, OF COURSE, MUST BE EXERCISED THAT HANDS ARE KEPT AWAY FROM MOVING PARTS.

- A. Set throttle at maximum speed.
- B. Engagement handle has three positions: Forward—moves ram toward wedge. Neutral—ram stops in place. Reverse—ram returns. See figure 12.

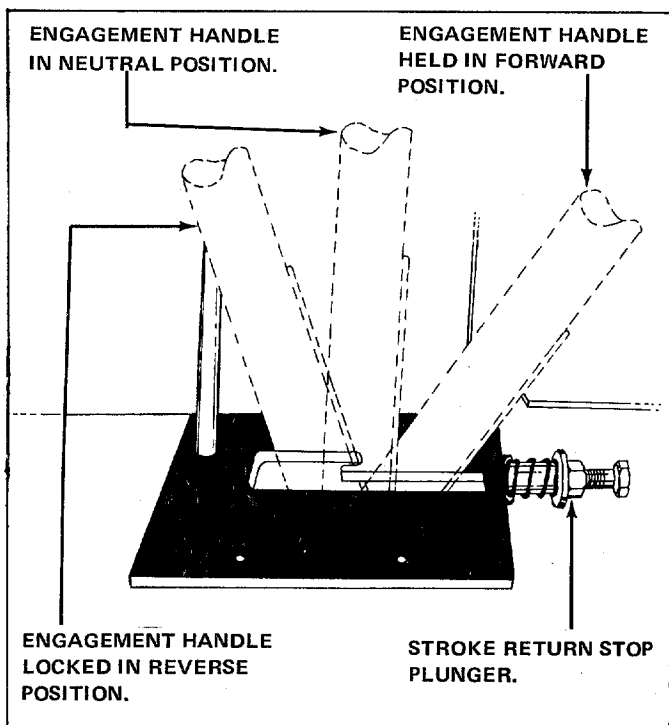


FIGURE 12

- C. Maximum length that can be split is 24".
- D. Place log on beam and hold in place with right hand. See figure 13.

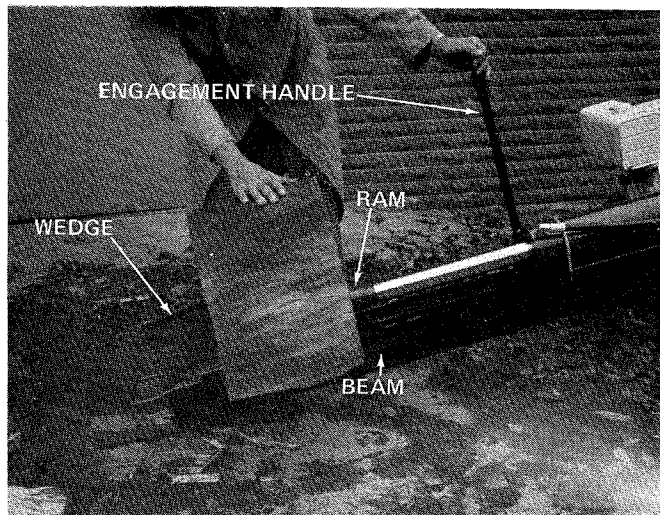


FIGURE 13

- E. Slowly move engagement handle forward until ram rests against log. Release engagement handle (Neutral).
- F. Remove your hand from the log and step behind the ram. See figure 14.



FIGURE 14

- G. Move engagement handle forward until log is split.
- H. Move the engagement handle to the rear to return ram.





If you lock the engagement handle in the reverse slot, the ram will return until it hits the return stroke stop plunger, which will throw the engagement handle into neutral automatically.



Never attempt to cut a log in half with the log splitter. See figure 15.

Never stand next to the ram when operating. See figure 16. Always stand behind the ram.

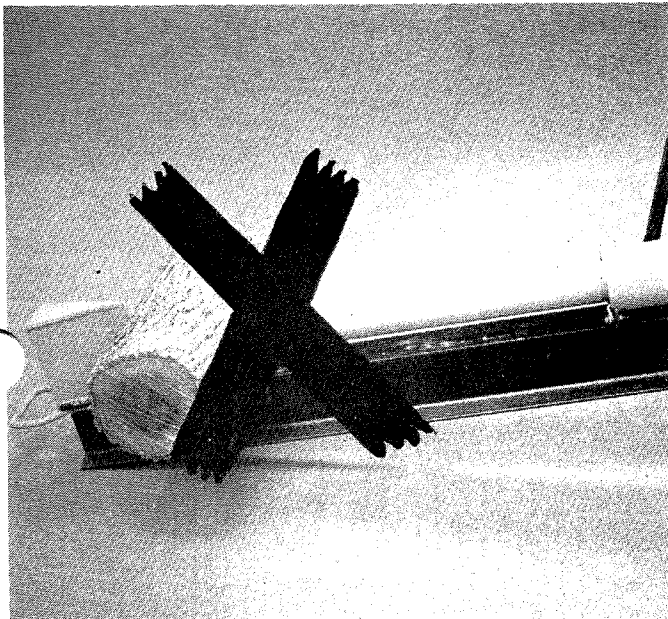


FIGURE 15



FIGURE 16

## MAINTENANCE and ADJUSTMENTS



Always stop engine and disconnect spark plug wire before doing any maintenance.

### RAM OPERATION

If the ram does not move smoothly, run the ram its full stroke several times to clear out air in the system. Be sure the breather valve is open.

If this does not correct the problem see strainer tube assembly paragraph.

### TIRE PRESSURE

FOR SHIPPING PURPOSES, THE TIRES ON YOUR UNIT MAY BE OVER-INFLATED. TIRE PRESSURE SHOULD BE REDUCED BEFORE UNIT IS PUT INTO OPERATION. RECOMMENDED PRESSURE SHOULD BE APPROXIMATELY 15 P.S.I. EQUAL TIRE PRESSURE SHOULD BE MAINTAINED ON ALL TIRES. MAXIMUM TIRE PRESSURE IS 30 P.S.I.



Installation of tire to rim:

1. Lubricate tire beads and rim flanges.
2. Do not exceed 30 P.S.I. when seating beads.
3. Adjust to recommended pressure after beads are sealed.

### STROKE RETURN STOP PLUNGER

If the engagement handle does not return to neutral (from reverse) before the pressure relief bypass opens, loosen the hex locknut, back out hex bolt one or two turns. See figure 17.

Tighten hex locknut and operate log splitter. Repeat if necessary.

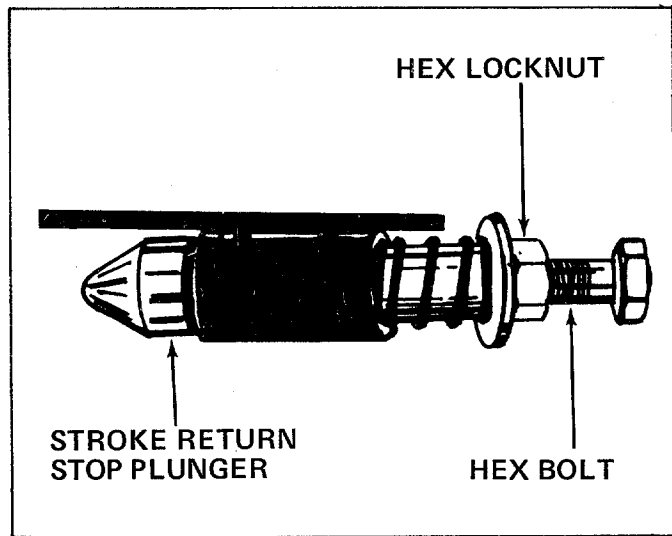


FIGURE 17



When the pressure relief valve opens a loud high pitched sound is heard and engine labors.

#### HOSE CLAMPS

Check the hose clamps on the bottom of the pump for proper tightness before each use.

Hose clamps on the return hose should be checked once a season.

#### STRAINER TUBE ASSEMBLY

If the ram does not move back and forth smoothly the strainer tube assembly may be clogged.

To clean follow these steps.

1. Remove the hose clamp at inlet hose (bottom hose on rear of beam).



Be prepared to catch oil in some container.

2. Pull off inlet hose from strainer tube assembly and catch oil in a suitable container. See figure 18.

3. With an adjustable wrench remove the strainer tube assembly. See figure 18.

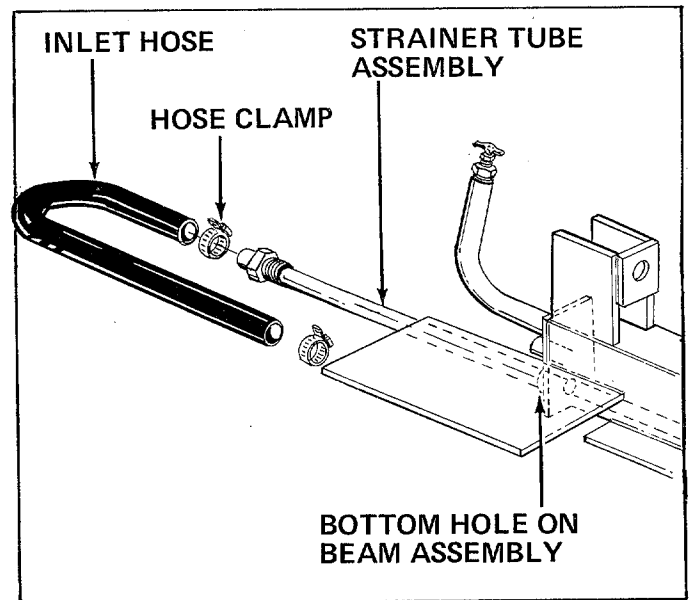


FIGURE 18



The strainer tube assembly is 53" long.

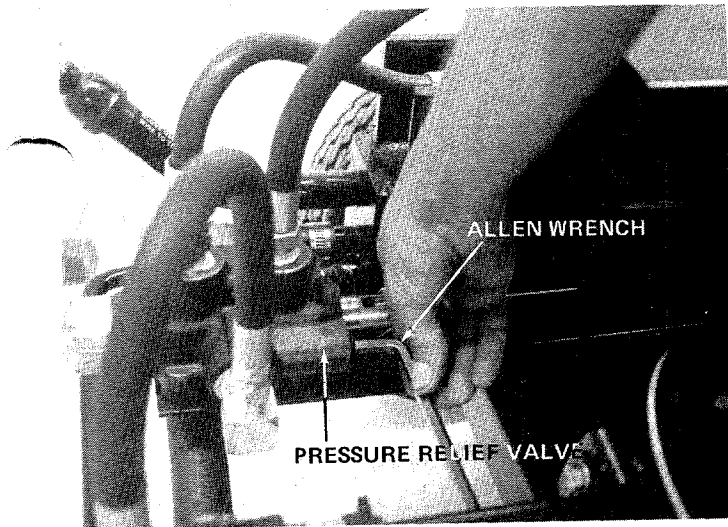
4. Clean and reassemble using a hydraulic pipe sealant on the threads.

#### PRESSURE RELIEF VALVE SETTING

If the pressure relief valve is set too low it will open up before enough pressure is built up to properly operate the ram. See figure 19.

#### TO SET THE PRESSURE RELIEF VALVE

1. Have someone place a log crossways in the Splitter and allow the Ram to push against it with the engine running wide open.
2. If the engine begins to lug down, the Relief Valve setting is correct.
3. If adjustment is necessary, tighten the screw until the engine begins to lug down.



**FIGURE 19**

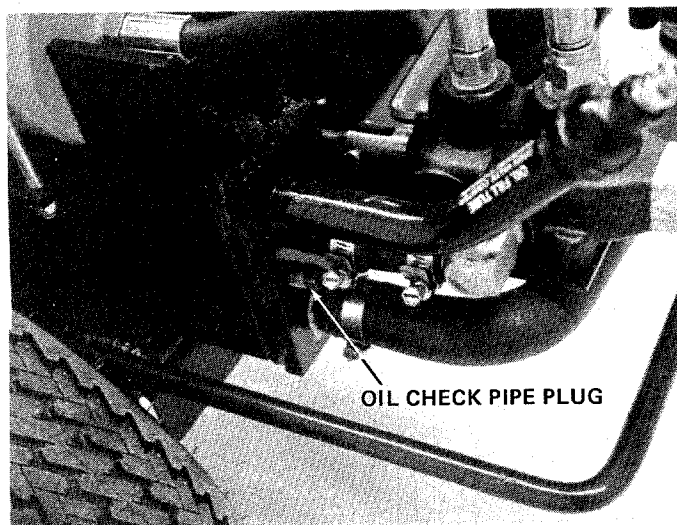
Check oil in log splitter reservoir before every use. See figure 20.

1. Block up front of log splitter so beam is setting level.
2. Remove check pipe plug in rear of beam. See figure 20. If oil starts to come out of check pipe plug hole oil level is correct. IF NOT add oil to breather tube (figure 16) unit oil starts out.



Use hydraulic sealant tape or pipe sealant on pipe plug threads.

3. Replace check pipe plug, remove block from under front of beam.



**FIGURE 20**

**CHANGING OIL IN RESERVOIR:**

1. Remove the hose clamp at inlet hose (bottom hose on rear of beam). See figure 18.



Be prepared to catch oil in a container.

2. Pull off inlet hose from strainer tube assembly and catch oil in a suitable container. See figure 18.
3. With an adjustable wrench remove the strainer tube assembly. See figure 18.



The strainer tube assembly is 53" long.

4. Drain oil, clean strainer tube and reassemble using a hydraulic pipe sealant on the threads.
5. Remove the breather plug from breather tube. See figure 7. Pour approximately 3 gallons of Dexron transmission fluid ONLY into breather tube.

**ENGINE MAINTENANCE**

REFER TO ENGINE MANUAL.

**STORAGE INSTRUCTIONS**

In event engine is to be stored for any length of time (30 days or more), prepare as follows:

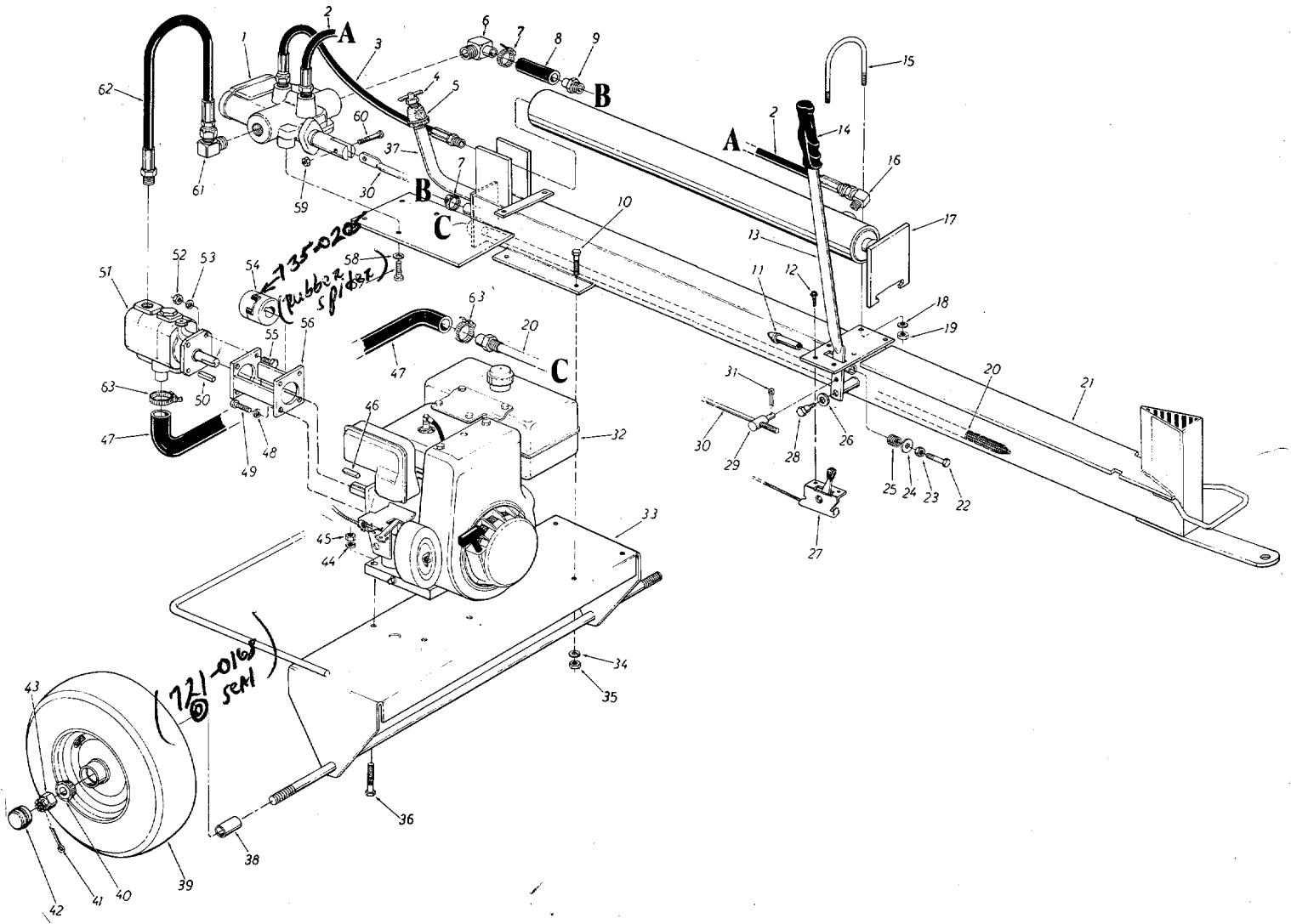
1. Drain gasoline by tipping or by syphon hose, then run engine until remainder is used and tank and carburetor are empty.



Drain into container outdoors away from fire or flame.

2. Drain carburetor by running engine until it stops.
3. Inside protecting of engine for storage is performed by removing spark plug and pouring one ounce of SAE 30 oil through spark plug hole into cylinder. Crank engine, without starting, several times to spread oil over cylinder walls.
4. Never store outside without a waterproof cover.

# 241-645A



# 241-645A

## PARTS LIST FOR LOG SPLITTER MODEL No. 241-645A

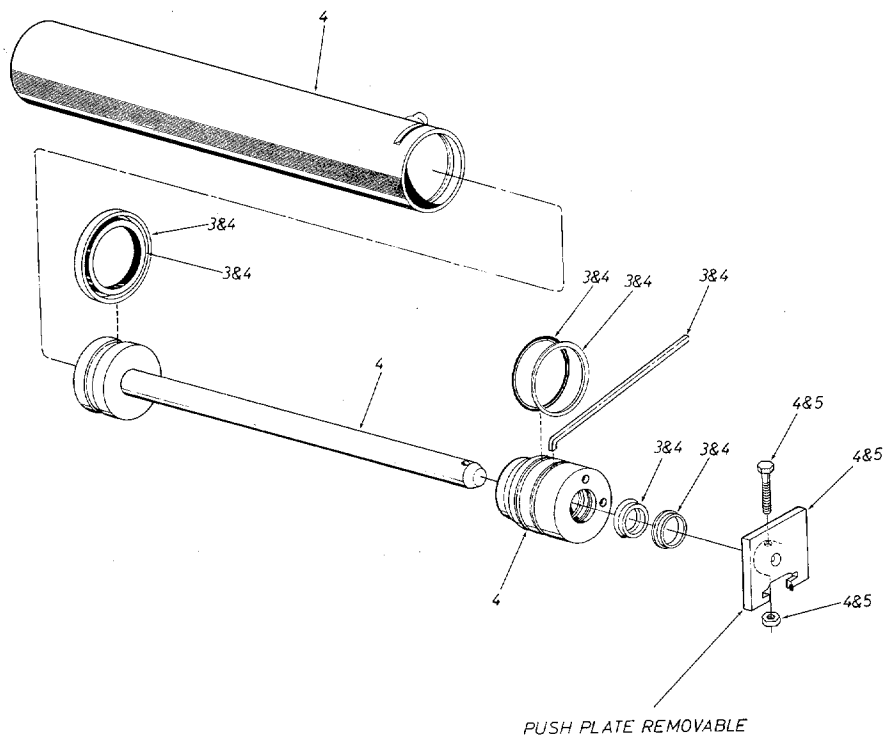
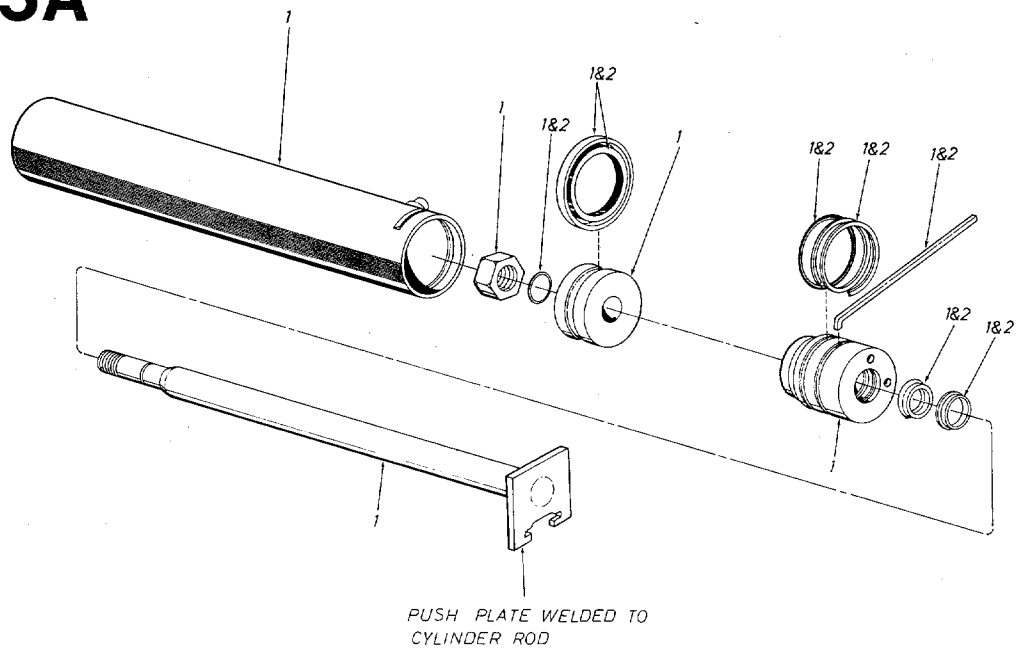
Part No.	Color Code	DESCRIPTION	New Part	Ref. No.	Part No.	Color Code	DESCRIPTION	New Part
1	717-0407	Control Valve		33	1374 <del>77</del>		Frame Ass'y.	
2	727-0231	Return Stroke High Pressure Hose	N	34	736-0119		L.-Wash. 5/16" I.D.*	
3	727-0211	Forward Stroke High Pressure Hose		35	712-0123		Hex Nut 5/16-24 Thd.*	
4	737-0161	Breather Valve		36	710-0409		Hex Bolt 5/16-24 x 1.75" Lg.*	
5	737-0173	Female Adapter 3/4-14 x 1/4 -18 N.P.T.F.	N	37	750-0501		Filler Tube	N
6	737-0153	Return Elbow		38	750-0442		Spacer .75" I.D. x 1.12" O.D. x 1.56" Lg.	
7	726-0173	Hose Clamp 3/4" I.D.		39	734-1016		Wheel Ass'y. Comp. 4.80/4.00 x 8	N
8	727-0210	Return Hose 3/4" I.D. x 2.62" Lg.			734-1017		Wheel Rim Ass'y. (Service Only)	N
9	737-0172	Nipple 1/2-14 N.P.T.F. x .15" Lg.	N		734-0872		Tire Only 4.80/4.00 x 8 (Service Only)	
10	710-0117	Hex Bolt 5/16-24 x 1.00" Lg. (Grade 5)		40	741-0107		Tapered Roller Bearing (Service Only)	
11	738-0406	Return Stroke Stop Plunger		41	714-0121		Cotter Pin 5/32" Dia. x 1.00" Lg.*	
12	710-0227	Hex AB-Tap Scr. #8 x .50" Lg.		42	734-0873		Hub Cap (Service Only)	
13	750-0428	Engagement Handle		43	712-0299		Hex Castle Nut 3/4-16 Thd.	
14	08118	Grip		44	736-0119		L.-Wash. 5/16" I.D.*	
15	747-0354	Cylinder Support Rod (for 4" Dia.)	N	45	712-0123		Hex Nut 5/16-24 Thd.*	
16	737-0152	High Pressure 90° Elbow 3/8 N.P.T.F. 9/16-18	N	46	714-0128		Sq. Key 1/4" x 1/4" x 1.00" Lg.*	
	-----	Cylinder Ass'y. (See page 14 for Breakdown)		47	727-0229		Suction Hose	N
18	736-0169	L.-Wash. 3/8" I.D.*		48	736-0119		L.-Wash. 5/16" I.D.*	
19	712-0798	Hex Nut 3/8-16 Thd.*		49	710-0157		Hex Bolt 5/16-24 x .75" Lg.*	
20	15234	Strainer Tube Ass'y.	N	50	-----		Sq. Key comes with Ref. No. 51	
21	15235	Complete Oil Tank & Beam Ass'y.	N	51	717-0461		Pump with Sq. Key 1/8 x 1/8 x 1.00" Lg.	N
22	710-0624	Hex Bolt 5/16-24 x 1.50" Lg.*		52	712-0123		Hex Nut 5/16-24 Thd.*	
23	712-0123	Hex Nut 5/16-24 Thd.*		53	736-0119		L.-Wash. 5/16" I.D.*	
24	736-0159	Fl.-Wash. .34 I.D. x .88" O.D.		54	717-0462		Flexible Coupling	N
25	732-0252	Compression Spring .64 O.D. x .81 Lg.		55	710-0117		Hex Bolt 5/16-24 x 1.00" Lg.*	
26	736-0160	Fl.-Wash. .53" I.D. x .94" O.D.		56	13295		Coupling Support Brkt. Ass'y.	
27	746-0295	Throttle Control Ass'y. Comp.		57	710-0216		Hex Bolt 3/8-16 x .75" Lg.*	
28	738-0234	Shld. Bolt .500" Dia. x .295		58	736-0105		Belleville Wash. 3/8" I.D.	
29	711-0198	Pivot Bushing		59	712-0107		Hex Cent. L.-Nut 1/4-20 Thd.	
30	747-0297	Engagement Rod .38 Dia. x 31" Lg.		60	710-0106		Hex Bolt 1/4-20 x 1.25" Lg.*	
31	714-0507	Cotter Pin 3/32" Dia. x .75" Lg.*		61	737-0171		90° Solid Male Adapter	N
32	-----	8 H.P. Engine - Tecumseh		62	727-0232		High Pressure Hose Ass'y.	N
				63	726-0132		Hose Clamp 1" I.D.	

\*For faster service obtain standard nuts, bolts and washers locally. If these items cannot be obtained locally, order by part number and size as shown on parts list.

The engine is not under warranty by the log splitter manufacturer. If repairs or service is needed on the engine, please contact your nearest authorized engine service outlet. Check the "Yellow Pages" of your telephone book under "Engines - Gasoline."



# 241-645A



## 4" DIA. CYLINDER PARTS LIST FOR MODEL 241-645A

Ref. No.	PART No.	DESCRIPTION	New Part
1	717-0406	Cylinder Ass'y. Comp. (Welded Push Plate)	N
2	753-0263	4" Cyl. Kit "O"-Ring Set (Welded Push Plate)	N
3	753-0273	4" Cyl. Kit "O"-Ring Set (Removable Push Plate)	N
4	717-0406	Cylinder Ass'y. Comp. (Removable Push Plate)	N
5	753-0275	4" Cyl. Kit - Push Plate	N



# PARTS INFORMATION

## POWER EQUIPMENT PARTS AND SERVICE

Parts and service for all MTD manufactured power equipment are available through the authorized service firms listed below. All orders should specify the model number of your unit, part numbers, description of parts and the quantity of each part required.

**NOTE:** If any parts are found to be missing or defective upon assembly of this unit, write to advise the factory so that immediate replacement can be made.

<b>ALABAMA</b>	<b>BIRMINGHAM</b>
Auto Electric & Carburetor Co. . . . .	2625 4th Ave. S. . . . . 35233
<b>ARKANSAS</b>	<b>FORT SMITH</b>
Mity Mite Motors, Inc. . . . .	4515 S. 16th St. . . . . 72901
	<b>NORTH LITTLE ROCK</b>
Sutton's Lawn Mower Shop . . . . .	Rt. 4, Box 368 . . . . . 72117
<b>CALIFORNIA</b>	<b>PORTERVILLE</b>
Billious . . . . .	75 North D Street . . . . . 93257
	<b>SAN FRANCISCO</b>
J.W. Jewett Co. . . . .	981 Folsom St. . . . . 94107
<b>COLORADO</b>	<b>DENVER</b>
Colorado Outdoor Power Equip. . . . .	527 West Evans . . . . . 80223
<b>FLORIDA</b>	<b>JACKSONVILLE</b>
Radco Distributors . . . . .	4909 Victor St. . . . . 32207
	<b>OPA LOCKA</b>
Small Eng. Dist. . . . .	2351 N.W. 147th St. . . . . 33054
<b>GEORGIA</b>	<b>EAST POINT</b>
East Point Cycle & Key . . . . .	2834 Church St. . . . . 30344
<b>ILLINOIS</b>	<b>LYONS</b>
Keen Edge Co. . . . .	8615 Ogden Ave. . . . . 60534
<b>INDIANA</b>	<b>ELKHART</b>
Parts & Sales Inc. . . . .	2101 Industrial Pkwy. . . . . 46514
<b>IOWA</b>	<b>DUBUQUE</b>
Power Lawn & Garden Equip. . . . .	2551 J.F. Kennedy . . . . . 52001
<b>LOUISIANA</b>	<b>NEW ORLEANS</b>
Suhren Engine Co. . . . .	8330 Earhart Blvd. . . . . 70118
<b>MARYLAND</b>	<b>TAKOMA PARK</b>
Center Supply Co. . . . .	6867 New Hampshire Ave. . . . . 20012
<b>MASSACHUSETTS</b>	<b>SPRINGFIELD</b>
Morton B. Collins Co. . . . .	300 Birnie Ave. . . . . 01107
<b>MICHIGAN</b>	<b>LANSING</b>
Lorenz Service Co. . . . .	2500 S. Pennsylvania . . . . . 48910
	<b>MOUNT CLEMENS</b>
Power Equipment Dist. . . . .	36463 South Gratiot . . . . . 48043
<b>MINNESOTA</b>	<b>HOPKINS</b>
Hance Distributing Inc. . . . .	420 Excelsior Ave. W. . . . . 55343
<b>MISSISSIPPI</b>	<b>BILOXI</b>
Biloxi Sales & Service, Inc. . . . .	506 Caillavet St. . . . . 39533
<b>MISSOURI</b>	<b>KANSAS CITY</b>
Automotive Equip. Service . . . . .	3117 Holmes St. . . . . 64109
	<b>ST. JOSEPH</b>
Ross-Frazier Supply Co. . . . .	8th and Monterey . . . . . 64503
	<b>ST. LOUIS</b>
Henzler, Inc. . . . .	2015 Lemay Ferry Road . . . . . 63125
<b>NEW JERSEY</b>	<b>BELLMAWR</b>
Lawnmower Parts Inc. . . . .	717 Creek Rd. . . . . 08030
	<b>RUTHERFORD</b>
Feld Distributor . . . . .	28 Glen Rd. . . . . 07070
<b>NEW YORK</b>	<b>CARTHAGE</b>
Gamble Dist., Inc. . . . .	West End Ave. . . . . 13619

## BRIGGS AND STRATTON, TECUMSEH AND PEERLESS PARTS AND SERVICE

Briggs & Stratton, Tecumseh and Peerless parts and service should be handled by your nearest authorized engine service firm. Check the yellow pages of your telephone directory under the listing **Engines—Gasoline**, Briggs & Stratton or Tecumseh Lauson.

<b>NORTH CAROLINA</b>	<b>GOLDSBORO</b>
Smith Hardware Co. . . . .	515 N. George St. . . . . 27530
	<b>GREENSBORO</b>
Dixie Sales Company . . . . .	335 N. Green . . . . . 27402
<b>OHIO</b>	<b>CARROLL</b>
Stebe's Mid-State Mower Supply . . . . .	Box 366, 71 High St. . . . . 43112
	<b>CLEVELAND</b>
Bleckrie, Inc. . . . .	7900 Lorain Ave. . . . . 44102
	<b>WADSWORTH</b>
National Central . . . . .	687 Seville Rd. . . . . 44281
	<b>YOUNGSTOWN</b>
Burton Supply Co. . . . .	1301 Logan Ave. . . . . 44501
	Box 929 . . . . . 44501
<b>OKLAHOMA</b>	<b>MUSKOGEE</b>
Victory Motors, Inc. . . . .	605 S. Cherokee . . . . . 74401
	<b>OKLAHOMA CITY</b>
Forest Sales Inc. . . . .	6415 N. Olie . . . . . 73116
<b>OREGON</b>	<b>PORTLAND</b>
Kenton Supply Co. . . . .	8216 N. Denver Ave. . . . . 97217
<b>PENNSYLVANIA</b>	<b>CHESTER</b>
Stull Equipment Corp. . . . .	742 W. Front St. . . . . 19013
	<b>HARRISBURG</b>
EECO Inc. . . . .	4021 N. 6th St. . . . . 17110
	<b>PHILADELPHIA</b>
Thompson Rubber Co. . . . .	5222-24 N. Fifth St. . . . . 19120
	<b>PITTSBURGH</b>
Bluemont Co. . . . .	11125 Frankstown Rd. . . . . 15235
	<b>PUNXSUTAWNEY</b>
Frank Roberts & Sons . . . . .	R.D. 2 . . . . . 1576
<b>TENNESSEE</b>	<b>KNOXVILLE</b>
Master Repair Service . . . . .	2000 Western Ave. . . . . 37921
	<b>MEMPHIS</b>
American Sales & Service, Inc. . . . .	1922 Lynnbrook . . . . . 38116
<b>TEXAS</b>	<b>DALLAS</b>
Marr Brothers, Inc. . . . .	423 E. Jefferson . . . . . 75203
	<b>FORT WORTH</b>
Woodson Sales Corp. . . . .	1702 N. Sylvania . . . . . 76111
	<b>HOUSTON</b>
Bullard Supply Co. . . . .	2409 Commerce St. . . . . 77003
	<b>SAN ANTONIO</b>
Catto & Putty, Inc. . . . .	414 Live Oak . . . . . 78298
<b>UTAH</b>	<b>SALT LAKE CITY</b>
A-1 Engine & Mower Co. . . . .	437 E. 9th St. . . . . 84111
<b>VERMONT</b>	<b>BURLINGTON</b>
Vermont Hdwe. Co. Inc. . . . .	180 Flynn Ave. . . . . 05401
<b>VIRGINIA</b>	<b>RICHMOND</b>
RBI Corp. . . . .	963 Myers St. . . . . 23260
<b>WASHINGTON</b>	<b>SEATTLE</b>
Bailey's Inc. . . . .	1414 14th Ave. . . . . 98102
<b>WEST VIRGINIA</b>	<b>CHARLESTON</b>
Young's, Inc. . . . .	233 Virginia St., E. . . . . 25301
<b>WISCONSIN</b>	<b>MARSHFIELD</b>
Power Pac . . . . .	301 E. 29th St. . . . . 54449

## WARRANTY PARTS AND SERVICE POLICY

The purpose of warranty is to protect the customer from defects in workmanship and materials, defects which are NOT detected at the time of manufacture. It does not provide for the unlimited and unrestricted replacement of parts. Use and maintenance are the responsibility of the customer. The manufacturer cannot assume responsibility for conditions over which it has no control. Simply put, if it's the manufacturer's fault, it's the manufacturer's responsibility; if it's the customer's fault, it's the customer's responsibility.

### CLAIMS AGAINST THE MANUFACTURER'S WARRANTY INCLUDES:

1. Replacement of Missing Parts on new equipment.
2. Replacement of Defective Parts within the warranty period.
3. Repair of Defects within the warranty period.

All claims MUST be substantiated with the following information:

1. Model Number of unit involved.
2. Date unit was purchased or first put into service.
3. Date of failure.
4. Nature of failure.

**MTD PRODUCTS • 5965 GRAFTON ROAD • P.O. BOX 36900 • CLEVELAND, OHIO 44136**



## Free Manuals Download Website

<http://myh66.com>

<http://usermanuals.us>

<http://www.somanuals.com>

<http://www.4manuals.cc>

<http://www.manual-lib.com>

<http://www.404manual.com>

<http://www.luxmanual.com>

<http://aubethermostatmanual.com>

Golf course search by state

<http://golfingnear.com>

Email search by domain

<http://emailbydomain.com>

Auto manuals search

<http://auto.somanuals.com>

TV manuals search

<http://tv.somanuals.com>