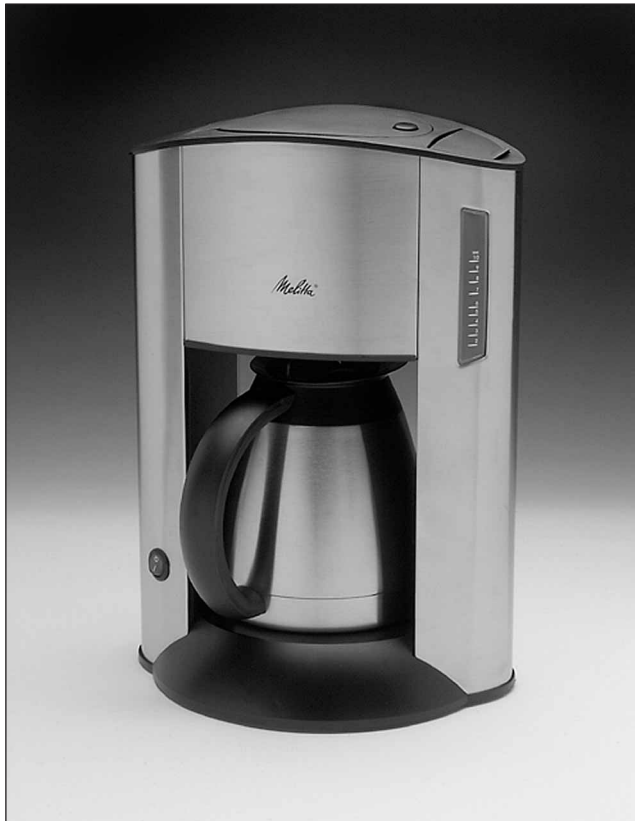


**READ AND SAVE THESE INSTRUCTIONS**



# **Thermal Coffeemaker**

**USE AND CARE GUIDE FOR  
MODEL ME10TS**



# IMPORTANT SAFEGUARDS

When using electrical appliances, basic safety precautions should always be followed, including the following:

- Read all instructions.
- Do not touch hot surfaces. Use handles or knobs.
- To protect against electric shock, do not place cord, plugs or appliance in water or other liquid.
- Close supervision is necessary when any appliance is used by or near children.
- Unplug from outlet when not in use and before cleaning. Allow to cool before putting on or taking off parts, and before cleaning the appliance.
- Do not operate any appliance with a damaged cord or plug or after the appliance malfunctions, or has been damaged in any manner. Contact Consumer Service for examination, repair or adjustment.
- The use of an accessory not evaluated for use with this appliance may cause injuries.
- Do not use outdoors.
- Do not let cord hang over edge of table or counter, or touch hot surfaces.
- Do not place on or near a hot gas or electric burner, or in a heated oven.
- To disconnect, turn any control to “off”, then remove plug from wall outlet.
- Do not use appliance for other than intended use.
- Be certain Lids are securely in place before operating appliance.
- Scalding may occur if the Lids are removed during the brewing cycles.

## SAVE THESE INSTRUCTIONS

THIS PRODUCT IS FOR HOUSEHOLD USE ONLY.

# ADDITIONAL IMPORTANT SAFEGUARDS

**WARNING:** This appliance generates heat and escaping steam during use. Use proper precautions to prevent the risk of burns, fires, or other injury to persons or damage to property.

- All users of this appliance must read and understand this Use and Care Guide before operating or cleaning this appliance.
- The cord to this appliance should be plugged into a 120V AC electrical outlet only.
- Use **water only** in this appliance! Do not put any other liquids or food products in this appliance. Do not mix or add anything to the water placed in this appliance, except as instructed in the User Maintenance Instructions to clean the appliance.
- **DO NOT** attempt to move an appliance containing hot liquids. Allow appliance to cool completely before moving.
- Keep appliance at least 4 inches away from walls or other objects during operation. Do not place any objects on top of appliance while it is operating. Place the appliance on a surface that is resistant to heat.
- If this appliance begins to malfunction during use, immediately unplug the cord. Do not use or attempt to repair the malfunctioning appliance.
- If this appliance falls or accidentally becomes immersed in water or any other liquid, unplug it immediately. **Do not reach into the water! Do not use this appliance after it has fallen into or has become immersed in water.** Contact Consumer Service for examination and repair.
- Do not leave this appliance unattended during use.
- The appliance must be left to cool down sufficiently before adding more water to avoid splattering.
- Always use fresh, cool water in your appliance. Warm water or other liquids, except as listed in cleaning section, may cause damage to the appliance.
- **DO NOT** put Carafe into a microwave.
- **DO NOT** lift Hinged Filter Lid until brewing is complete, and all parts have cooled.
- The Carafe is designed for use with this appliance. It must never be used on a range top.

- Do not use a damaged Carafe or a Carafe having a loose or weakened handle.
- **CAUTION:** To prevent injury when utilizing Pause and Pour (drip-stop) feature, replace Carafe within 20 seconds of removing during brewing process.

**POLARIZED PLUG:** This appliance has a polarized plug (one blade is wider than the other). To reduce the risk of electric shock, this plug is intended to fit into a polarized outlet only one way. If the plug does not fit fully in the outlet, reverse the plug. If it still does not fit, contact a qualified electrician. Do not attempt to modify the plug in any way.

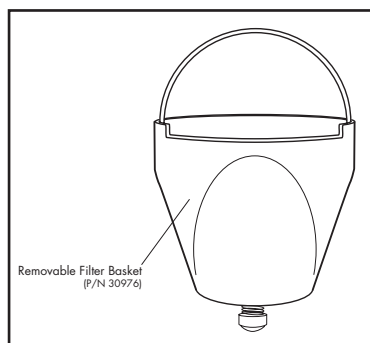
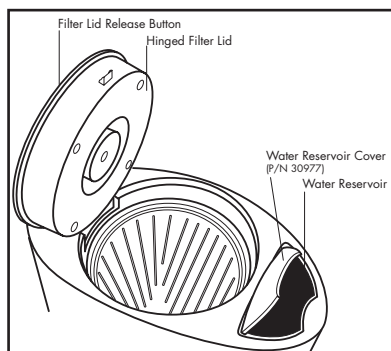
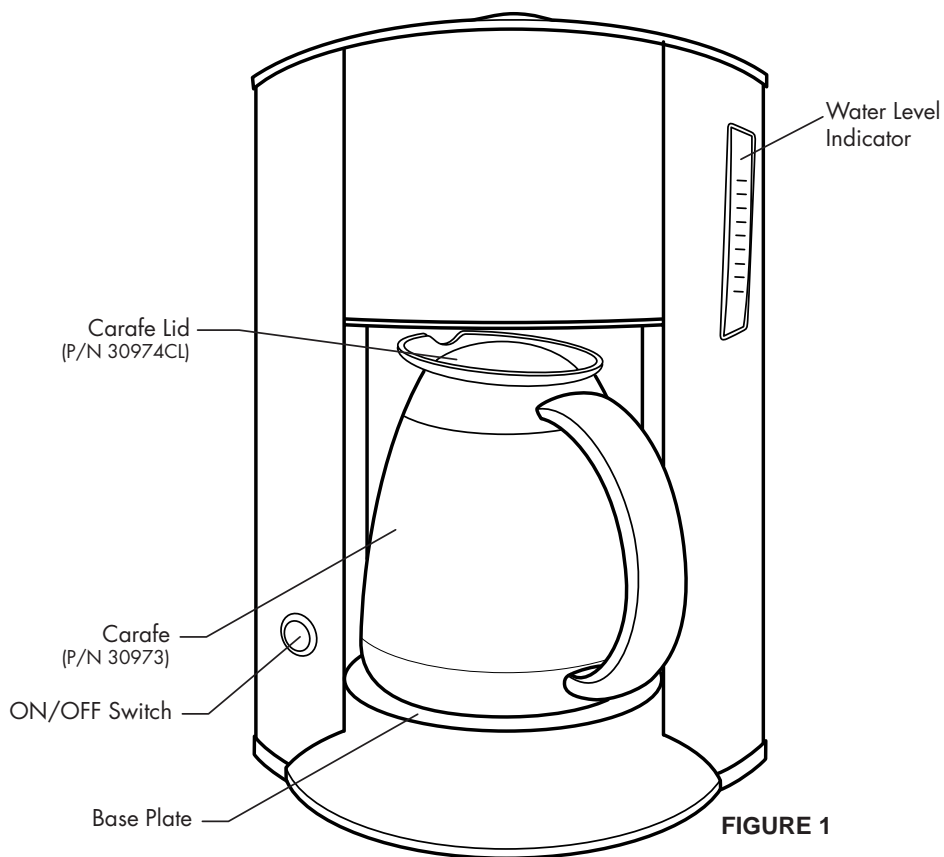
**SHORT CORD INSTRUCTIONS:** A short power-supply cord is provided to reduce the risk resulting from becoming entangled in or tripping over a longer cord. The use of extension cords is not recommended.

**ELECTRIC POWER:** If the electric circuit is overloaded with other appliances, your appliance may not operate. It should be operated on a separate electrical circuit from other appliances.

**WARNING:** TO REDUCE THE RISK OF FIRE OR ELECTRIC SHOCK, DO NOT REMOVE THE BOTTOM COVER. NO USER-SERVICEABLE PARTS INSIDE. REPAIR SHOULD BE DONE BY AUTHORIZED SERVICE PERSONNEL ONLY.

Your product may vary slightly from illustration.

## Parts Identification



# Before Using Your Thermal Coffeemaker

**WARNING:** To reduce risk of fire or electric shock, do not immerse Cord, Plug or appliance in water or any other liquid.

1. Before preparing coffee in your new coffeemaker, thoroughly clean the Carafe, Carafe Lid and Removable Filter Basket in warm, soapy water. Rinse and dry. Replace disassembled parts.

**Note:** The Removable Filter Basket must be placed into the coffeemaker with the arrow pointing toward the back of the unit.

2. Clean the inside of the coffeemaker by brewing two full Carafes of tap water (see Brewing Instructions). Do not place a filter or coffee in the Removable Filter Basket for this initial cleaning.

**Note:** At the end of the first brewing cycle, turn the Coffeemaker off and wait ten minutes for the appliance to cool. Turn unit on and brew second Carafe of cool water.

## Coffee Filters

Cone-shaped paper filters are available locally at grocery stores and where coffeemakers are sold. Standard #4 filters should be used. Permanent gold filters may also be purchased, eliminating the need for disposable paper filters.

The use of basket-style paper filters is not recommended, since they do not conform to the shape of the Removable Filter Basket and may cause coffee to back up and spill over during brewing.

# Brewing Instructions

1. Place the Thermal Coffeemaker on a flat, level surface. Plug the unit into a 120V, AC electrical outlet.
2. Press the Filter Lid Release Button to open the Hinged Filter Lid.
3. Place a #4 cone-shaped paper filter into the Removable Filter Basket. Measure one level tablespoon of drip or regular grind coffee for each cup of coffee desired. For stronger or milder coffee, adjust amount of coffee to suit your taste.  
**Note:** We recommend using coffee ground specifically for automatic drip coffeemakers.
4. Close the Hinged Filter Lid.
5. Raise the Water Reservoir Cover. Fill the Thermal Carafe with cold water and pour it into the Water Reservoir to the desired level. No less than two cups are recommended.  
**Important:** Always use fresh, cool water in your appliance. Warm water or other liquids, except as listed in the Care and Cleaning Instructions, may cause damage to the appliance.  
**Note:** The amount of brewed coffee will always be less than the amount of water placed into the coffeemaker, since about 10% is absorbed by the coffee grounds and filter.
6. For optimal thermal retention, preheat the Thermal Carafe by rinsing it with hot water. PLACE THE CARAFE LID ON THE CARAFE AND TURN CLOCKWISE UNTIL THE ARROWS ARE ALIGNED. COFFEE WILL NOT FLOW IN CORRECTLY IF MISALIGNED. Place the Carafe on the Base Plate.
7. In order to turn unit on, press the ON/OFF Switch to ON. The pilot light will glow to show the unit is operating. Hot water will be dispensed gently and evenly through the coffee grounds. When all the water has been pumped out of the Water Reservoir the coffeemaker will switch off automatically.
8. To pour a cup of coffee before the brew cycle is complete, simply remove the Thermal Carafe from the Base Plate and pour. Brewing will continue but dripping will automatically pause. Return the Thermal Carafe to the Base Plate within 20 seconds; dripping will resume.  
**CAUTION:** To prevent injury when utilizing Pause and Pour (drip-stop) feature, replace Carafe within 20 seconds of removing during brewing process.

9. Upon completion of the brew cycle, wait until dripping has stopped before removing the Carafe. The Carafe Lid should be kept in place to facilitate safe serving and help keep coffee at proper serving temperature. You may wish to remove the Thermal Carafe to a more convenient location. If so, seal the Thermal Carafe by turning the Carafe Lid clockwise until tight. The Thermal Carafe will maintain the serving temperature for several hours.
10. Switch coffeemaker to OFF since unit is not in use.
11. To brew another Carafe of coffee, turn unit OFF and wait 10 minutes to allow heating element to cool. **Important:** If unit is not allowed to cool before immediate repeated use, water placed in Water Chamber may become overheated and a spray of steam could be released from opening, creating a risk of burns.
12. When not in use unplug the Base Assembly from the wall outlet. Allow the unit to cool completely before cleaning. See User Maintenance Instructions.

## Brewing A Second Pot Of Coffee

As mentioned above, it is recommended that the Coffeemaker should be in the Off position for 10 minutes between cycles, in order to allow unit to cool. While unit is in the Off position, dispose of used coffee filter, rinse Carafe and the Removable Filter Basket in water. Place a fresh filter in basket. Repeat brewing procedure.



# Hints for Great Tasting Coffee

- A clean Coffeemaker is essential for making great tasting coffee. Regular cleaning, as specified in User Maintenance Instructions is highly recommended. Always use fresh, cool water in your Coffeemaker. Finer grinds, such as drip and ADC coffee, promote fuller extraction and provide rich, full-bodied coffee. Regular grind will require slightly more coffee per cup to provide the strength of a finer grind.
- Store coffee in a cool, dry place. Once coffee has been opened, keep it tightly sealed in the refrigerator to maintain freshness. For optimum coffee, buy whole beans and grind them just before brewing.
- Do not re-use coffee grounds since this will greatly impair coffee flavor.
- Reheating coffee is not recommended. Coffee is at its peak flavor immediately after brewing.
- Small oil droplets on the surface of brewed, black coffee is due to the extraction of oil from the coffee grounds. Oiliness may occur more frequently if heavily roasted coffees are used. Over extraction may also cause oiliness, indicating a need to clean your Coffeemaker.

## User Maintenance Instructions

This appliance requires little maintenance. It contains no user-serviceable parts. Any servicing requiring disassembly other than cleaning must be performed by a qualified appliance repair technician.

**WARNING:** Unplug from wall outlet before cleaning.

### Care And Cleaning Instructions

1. Always make sure Coffeemaker is unplugged and Base Plate is cool before attempting to clean.
2. After daily use, the Removable Filter Basket, Thermal Carafe and Carafe Lid should be washed in warm, soapy water.
3. If necessary, wipe the outside of the Coffeemaker with a soft, damp cloth and wipe dry. Do not use abrasive cleansers, scouring pads or steel wool.

Special cleaning of your Coffeemaker is recommended at least once a month, depending on frequency of use and quality of water used in the unit. If water in your area is especially hard, the following cleaning procedure should be performed every two weeks, since minerals in water can detract from the flavor of the coffee and possibly lengthen brew time.

1. Fill the Carafe with one part white vinegar to three parts cold water. Pour water and vinegar solution into the Water Chamber.
2. Open the Hinged Filter Lid, place a paper filter in the Removable Filter Basket then close the Lid. Place Carafe on Base Plate. Press the Power Select Button to ON. **Note:** During cleaning, more steam will occur than during normal brewing.
3. **KEEP THE COFFEEMAKER ON UNTIL HALF THE WATER HAS CYCLED THROUGH THE COFFEEMAKER, AS CAN BE VIEWED THROUGH THE WATER LEVEL INDICATOR.** Press the Power Select Button to OFF. When liquid stops dripping from the Removable Filter Basket into the Carafe, remove the Carafe and allow the liquid to cool for 10 minutes. When cooled, pour liquid back into the Water Chamber.
4. Return Carafe to Base Plate.
5. Switch control to ON. Repeat procedure, allowing all the cleaning solution to empty into the Carafe. After dripping has stopped, discard contents in Carafe.
6. After allowing the Coffeemaker to cool for 10 minutes, rinse it out by brewing a Carafe full of cold water. Make sure to insert a fresh filter into the Removable Filter Basket before brewing.
7. At the end of the brew cycle, press the Power Select Button to OFF. Discard water in the Carafe. Remove used filter and wash the Carafe and Removable Filter Basket in warm, soapy water. Rinse and Dry.
8. When Coffeemaker has cooled, wipe exterior with a dry cloth.

# IMPORTANT NOTICE

*If any parts are missing or defective,  
**DO NOT** return this product.*

*Please call our Customer Service Department for assistance.*

**800-233-9054** Monday - Friday 9:00 am - 5:00 pm CST

*Thank You*

## LIMITED ONE YEAR WARRANTY

**Warranty:** This Melitta® product is warranted by Salton, Inc. to be free from defects in materials or workmanship for a period of (1) year from the original purchase date. This product warranty covers only the original consumer purchaser of the product.

**Warranty Coverage:** This warranty is void if the product has been damaged by accident in shipment, unreasonable use, misuse, neglect, improper service, commercial use, repairs by unauthorized personnel, normal wear and tear, improper assembly, installation or maintenance abuse or other causes not arising out of defects in materials or workmanship. This warranty is effective only if the product is purchased and operated in the USA, and does not extend to any unit which has been used in violation of written instructions furnished with the product, or to units which have been altered or modified, or to damage to products or parts thereof which have had the serial number removed, altered, defaced or rendered illegible.

**Implied Warranties:** ANY IMPLIED WARRANTIES WHICH THE PURCHASER MAY HAVE ARE LIMITED IN DURATION TO ONE (1) YEAR FROM THE DATE OF PURCHASE. Some states do not allow limitations on how long an implied warranty lasts, so the above limitation may not apply to you.

**Warranty Performance:** During the above one-year warranty period, a product with a defect will be either repaired or replaced with a reconditioned comparable model (at our option) when the product is returned to the Repair Center, or the purchase price refunded. The repaired or replacement product will be in warranty for the balance of the one-year warranty period and an additional one-month period. No charge will be made for such repair or replacement.

**Service and Repair:** Should the appliance malfunction, you should first call toll-free 1-800-233-9054 between the hours of 9:00 am and 5:00 pm Central Standard Time and ask for CONSUMER SERVICE stating that you are a consumer with a problem. Please refer to model number ME10TS when you call.

**In-Warranty Service (USA):** For an appliance covered under the warranty period, no charge is made for service or postage. Call for return authorization 1-800-233-9054.

**Out-of-Warranty Service:** A flat rate charge by model is made for out-of-warranty service. Include \$8.00 (U.S.) for return shipping and handling. We will notify you by mail of the amount of the charge for service and require you to pay in advance for the repair or replacement.

**For products purchased in the USA, but used in Canada:** You may return the product insured, packaged with sufficient protection, and postage and insurance prepaid to the USA address listed below. Please note that all customs duty / brokerage fees, if any, must be paid by you and we will require you to pay the cost of customs duty / brokerage fees to us in advance of our performing any service.

**Risk During Shipment:** We cannot assume responsibility for loss or damage during incoming shipment. For your protection, carefully package the product for shipment and insure it with the carrier. Be sure to enclose the following items with your appliance: any accessories related to your problem, your full return address and daytime phone number, a note describing the problem you experienced, a copy of your sales receipt or other proof of purchase to determine warranty status. C.O.D. shipments cannot be accepted.

To return appliance, ship to:

To contact us, please write to, call or email:

Attn: Repair Center  
Salton, Inc.  
708 South Missouri Street  
Macon, MO 63552

Salton, Inc.  
P.O. Box 6916  
Columbia, MO 65205-6916  
1-800-233-9054  
Email: Salton@Saltonusa.com

**Limitation of Remedies:** No representative or person is authorized to assume for Salton, Inc. any other liability in connection with the sale of our products. There shall be no claims for defects or failure of performance or product failure under any theory of tort, contract or commercial law including, but not limited to negligence, gross negligence, strict liability, breach of warranty and breach of contract. Repair, replacement or refund shall be the sole remedy of the purchaser under this warranty, and in no event shall Salton, Inc. be liable for any incidental or consequential damages, losses or expenses. Some states do not allow the exclusion or limitation of incidental or consequential damages, so the above limitation or exclusion may not apply to you.

**Legal Rights:** This warranty gives you specific legal rights, and you may also have other rights which vary from state to state.

For more information on Salton products:  
Visit our website: [www.eSalton.com](http://www.eSalton.com)

© 2003 Salton, Inc.  
All Rights Reserved

P/N 61322  
Printed in China

## Free Manuals Download Website

<http://myh66.com>

<http://usermanuals.us>

<http://www.somanuals.com>

<http://www.4manuals.cc>

<http://www.manual-lib.com>

<http://www.404manual.com>

<http://www.luxmanual.com>

<http://aubethermostatmanual.com>

Golf course search by state

<http://golfingnear.com>

Email search by domain

<http://emailbydomain.com>

Auto manuals search

<http://auto.somanuals.com>

TV manuals search

<http://tv.somanuals.com>