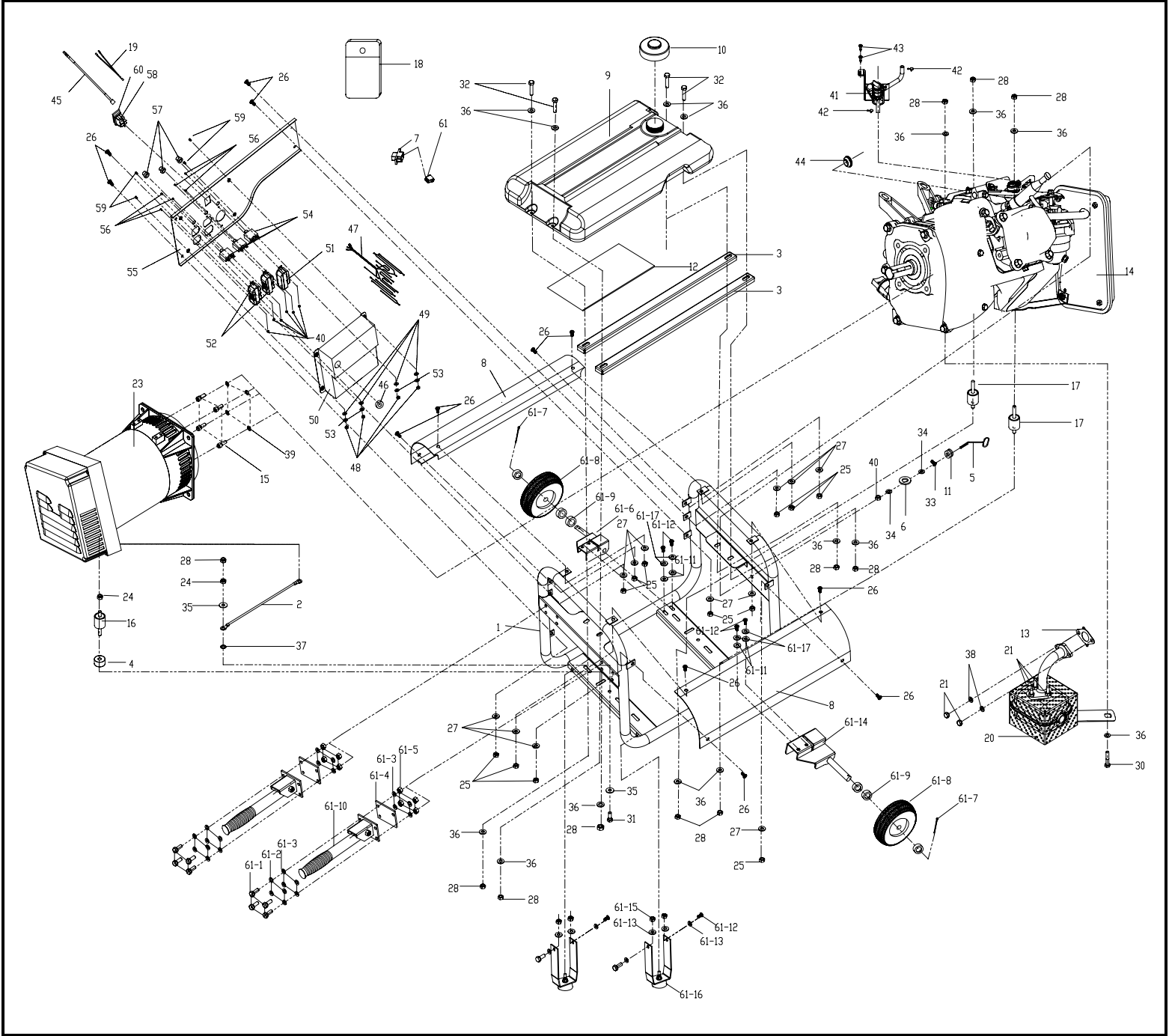
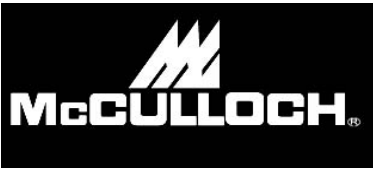




# SERVICE SPARE PARTS LIST 11HP FG600MK

SPECIFY MODEL NO. WHEN ORDERING PARTS	DATE	REVISED DATE
<b>11 HP GENERATOR</b>	<b>27-Feb-06</b>	
<b>JENN FENG MODEL NO. FG600MKUD-C</b>		
<b>MCCULLOCH MODEL NO. FG600MK</b>		





**SERVICE SPARE PARTS LIST  
11HP FG6000MK**

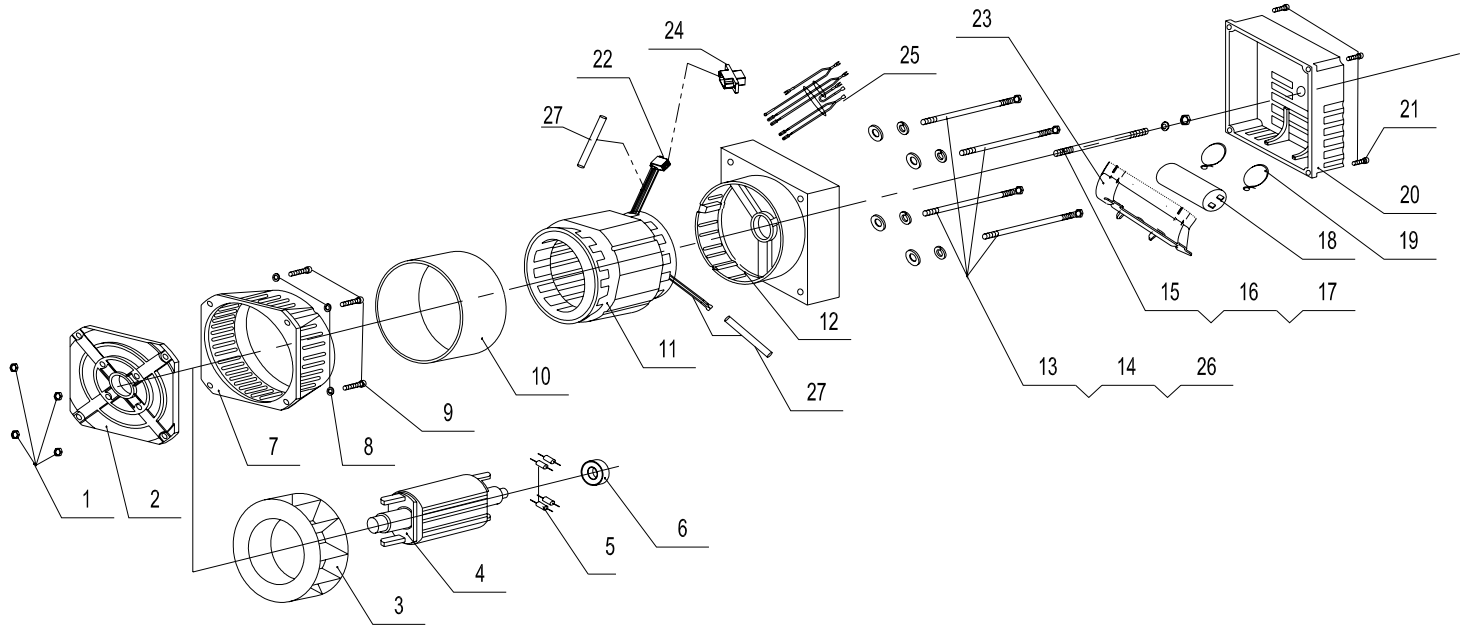
SPECIFY MODEL NO. WHEN ORDERING PARTS		DATE		REVISED DATE
<b>11 HP GENERATOR</b>		<b>27-Feb-06</b>		
<b>JENN FENG MODEL NO.</b>	<b>FG6000MKUD-C</b>			
<b>MCCULLOCH MODEL NO.</b>	<b>FG6000MK</b>			

<u>No.</u>	<u>Parts No.</u>	<u>Description</u>	<u>Q</u>		<u>No.</u>	<u>Parts No.</u>	<u>Description</u>	<u>Q</u>
1	7005-FG6001	GENERATOR FRAME	1		40	7NGZ-04	AUTOLOCK NUT	7
2	7010-FG3008	GROUNDING STRAP	1		41	7228-FG6003	TUBE GROUP	1
3	7012-FG5701	TANK SUPPORT BAR	2		42	7036-AT1401	CLIP	2
4	7014-FG5701	PLASTIC SPACER	1		43	7SDAZA03-10	TAPPING SCREW	2
5	7023-FG6001	CHOKE LEVER	1		45	7010-FG3005	WIRE	1
6	7043-FG5001	LEVER STATOR	1		46	7012-FG3001	RUBBER PLUG	1
7	7041-FG7001-HU	WIRE SEAT	1		47	7010-FG6013	WIRE ASS'Y	2
8	7043-FG6001	PROTECTOR	2		48	7NAZ-05	NYLON NUT	4
9	7066-FG5701	FUEL TANK	1		49	7WFS-05-10	FLAT WASHER	4
10	7067-ES3001	TANK CAP	1		50	7017-FG6001	CONTROL PANEL REAR COVER	1
11	7070-AT1401	PLASTIC PLUG	1		51	7141-FG5702	240V DUPLEX SOCKET	1
12	7082-FG5701	HEAT INSULATION PROTECTIO	1		52	7141-FG5701	120V DUPLEX SOCKET	2
13	7082-FG6001	WASHER	1		53	7WSZ-05	SPRING WASHER	4
14	7099-FG6002-E	ENGINE WITH EPA	1		54	7030-AT1403	CIRCUIT BREAKER	3
15	7214-FG5701	HEXAGON BOLT	4		55	7028-FG6002	CONTROL PANEL	1
16	7227-FG5701	ANTI-VIB. ISOLATOR MOUNT	1		56	7SGAZ-04-12	SCREW	6
17	7227-FG5702	ANTI-VIB. ISOLATOR MOUNT	2		57	7077-AT1401	WATERPROOF COVER	1
18	7228-FG5003	TOOL BAG	1		58	7022-AT1403	ON/OFF SWITCH	1
19	7010-FG3001	THREE TIE-IN WIRE	1		59	7SVAZ-05-20	SCREW	4
20	7228-FG6002	EXHAUST MUFFLER GROUP	1		60	7077-AT1402	WATERPROOF COVER	3
21	7NHC-08-QJ	NUT	5		61	7228-FG6018	WHEEL AND HANDLE ASSY	1
23	7265-EC6004	ALTERNATOR	1		61-1	7SXDZ-06-25	HEXAGON BOLT	8
24	7NAZ-08	HEXAGON NUT	2		61-2	7WSZ-06	SPRING WASHER	8
25	7NGZ-06	AUTOLOCK NUT	12		61-3	7WFZ-06-12	FLAT WASHER	16
26	7STCZ-06-16	TANK SUPPORTER LEFT	12		61-4	7161-FG6007	HANDLE SEAT PLATE	2
27	7WFZ-06-24	FLAT WASHER	12		61-5	7NAZ-06	HEXAGON BOLT	8
28	7NGZ-08	AUTOLOCK NUT	11		61-6	7228-FG6005	WHEEL BRACKET	1
29	7041-FG7002-HU	WIRE SEAT	1		61-7	7PB04-40	UNLOCKED PIN	2
30	7SXDZ-08-40	HEXAGON BOLT	1		61-8	7137-FG6002	WHEEL	2
31	7SXDZ-08-30	HEXAGON BOLT	1		61-9	7014-FG6001	NYLON WASHER	6
32	7SXDZ-08-35	HEXAGON BOLT	4		61-10	7228-FG6026	HANDLE ASS'Y	(1)
33	7SGAZ-04-16	SCREW	1		61-11	7WFZ-08-24	FLAT WASHER	4
34	7WFZ-04-16	FLAT WASHER	2		61-12	7SXDZ-08-25	HEXAGON BOLT	8
35	7WFZ-08-16	FLAT WASHER	2		61-13	7WFZ-08-16	FLAT WASHER	8
36	7WFZ-08-24	FLAT WASHER	15		61-14	7228-FG6006	WHEEL BRACKET	1
37	7WOZ-08	LOCK WASHER	1		61-15	7NGZ-08	AUTOLOCK NUT	4
38	7WSC-08-QJ	SPRING WASHER	2		61-16	7228-FG6027	SUPPORT LEG	(1)
39	7WSB-10	SPRING WASHER	4		61-17	7WSB-08	SPRING WASHER	4



**SERVICE SPARE PARTS LIST  
11HP FG600MK**

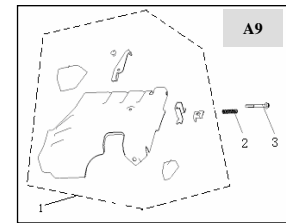
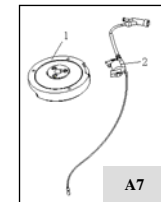
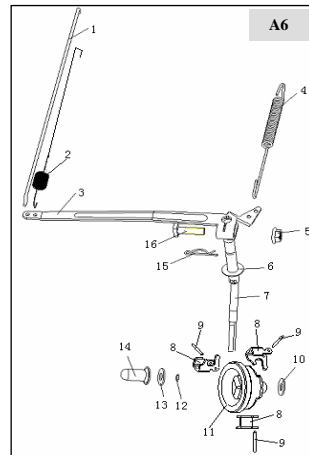
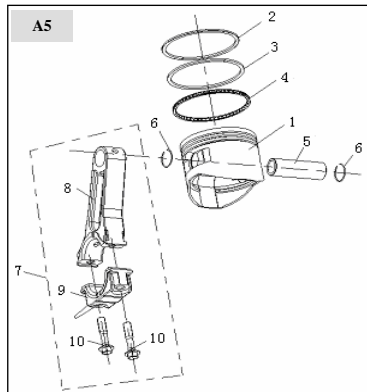
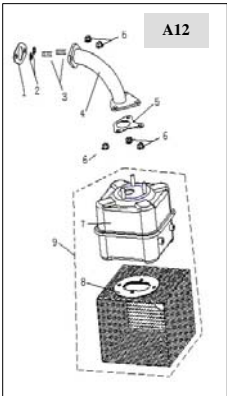
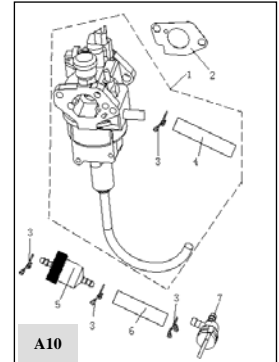
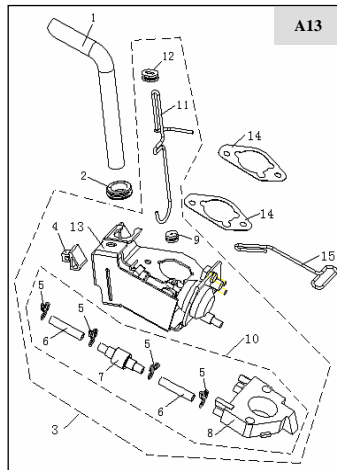
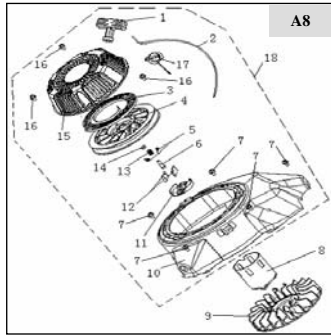
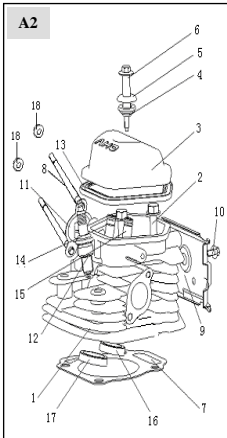
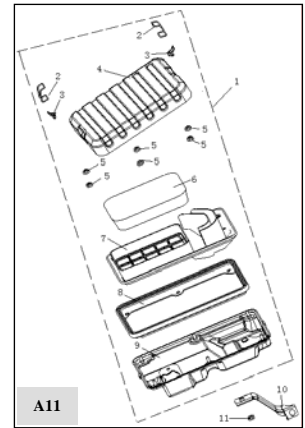
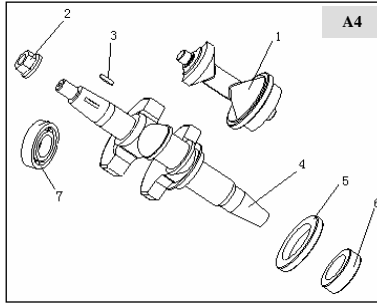
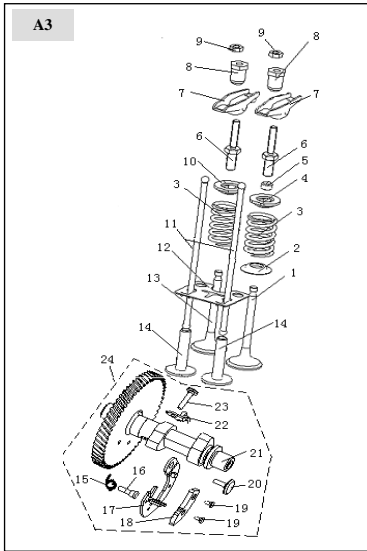
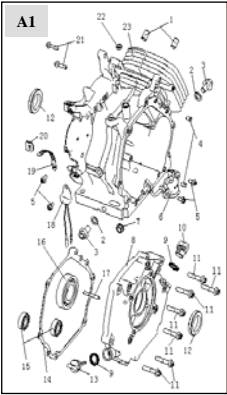
SPECIFY MODEL NO. WHEN ORDERING PARTS		DATE	REVISED DATE
ALTERNATOR		27-Feb-06	
MODEL NO.	7265-EC6004		



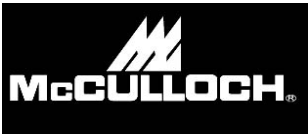
No.	Parts No.	Description	Q	No.	Parts No.	Description	Q
1	7NAZ-08	NUT	4	15	7191-EG6002	SCREW	1
2	7040-EG6001	FLANGE	1	16	7014-EG6001	WASHER	1
3	7169-EG6001	FAN	1	17	7NAZ-08	NUT	1
4	7275-EG6001	ROTOR	1	18	LIST 1	CAPACITOR	1
5	7204-EG6001	DIODE	2	19	7032-200-02	CAPACITOR FASTENER	2
6	7155-EG6001	BEARING	1	20	7003-FG6001	ALTERNATOR COVER	1
7	7067-EG6001	DRIVER END BRACKET	1	21	7SVAZ-05-10	SCREW	4
8	7WSC-08-QJ	SPRING WASHER	4	22	7041-FG7002-HU	CONNECTOR-MALE	1
9	7SACZ-08-30	SCREW	4	23	7072-EG3001	CAPACITOR SHELF	2
10	7002-EG6001	ENCLOSING BAND	1	24	7041-FG7001-HU	CONNECTOR-FEMALE	1
11	7267-EG6001	STATOR	1	25	7010-EG3001	ELECTRICAL WIRE	1
12	7067-EG6002	NON DRIVER END BRACKET	1	26	7WFZ-08-16	FLAT WASHER	1
13	7191-EG6001	BOLT	4	27	7059-EG7001	WIRE PROTECTOR	2
14	7WSZ-08	SPRING WASHER	4				

7153-FG5001	24 µf CAPACITOR
7153-FG6001	26 µf CAPACITOR
7153-FG6002	28 µf CAPACITOR

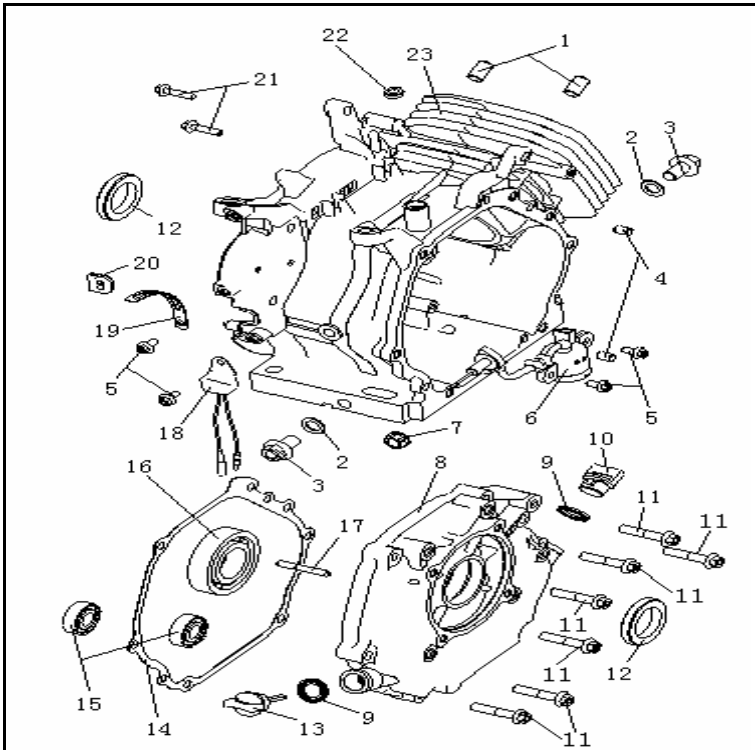
SPECIFY MODEL NO. WHEN ORDERING PARTS		DATE	REVISED DATE
ENGINE		27-Feb-06	
MODEL NO.	7099-FG6002-E		



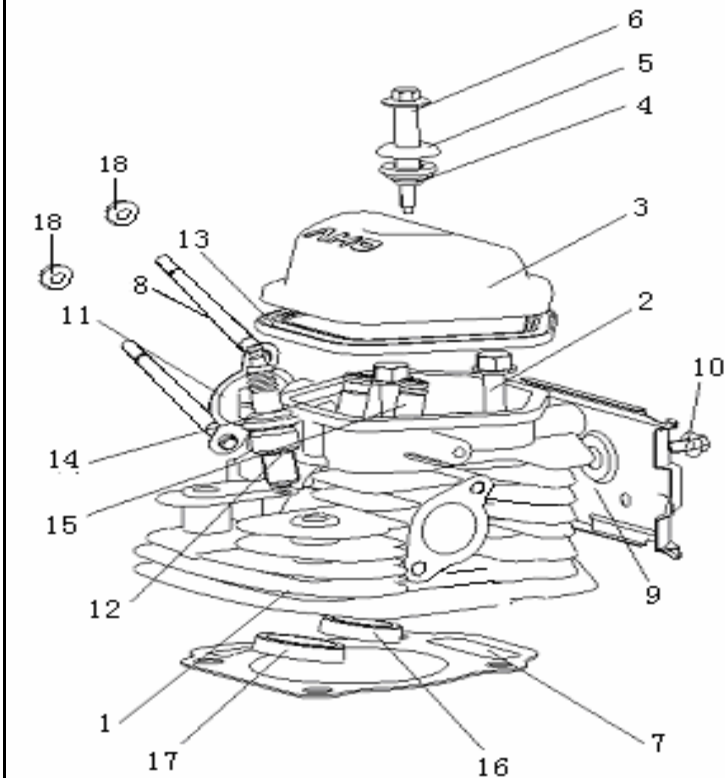
No.	Parts No.	Description	Q	No.	Parts No.	Description	Q
A1	0QJ188FPH01	CRANKCASE ASSEMBLY	1	A8	0QJ182QDP07	STARTER & BLOWER HOUSING	1
A2	0QJ188FPH02	CYLINDER HEAD ASSEMBLY	1	A9	0QJ182QDP08	ENGINE CONTROL ASSEMBLY	1
A3	0QJ188FPH03	CAMSHAFT & VALVES	1	A10	0QJ188FPH05	CARBURETOR ASSEMBLY	1
A4	0QJ182QDP03	CRANKSHAFT & BALANCE SHAFT	1	A11	0QJ182QDP10	AIR FILTER ASSEMBLY	1
A5	0QJ188FPH04	CONNECTING ROD & PISTON	1	A12	0QJ182QDP11	MUFFLER ASSEMBLY	1
A6	0QJ182QDP05	GOVERNOR COMPONENTS	1	A13	0QJ188FPH06	AUTOCHOKE VALVE ASSEMBLY	1
A7	0QJ182QDP06	IGNITION SYSTEM	1				1



**SPARE PARTS LIST  
11HP FG6000MK**



A1		CRANKCASE ASSEMBLY	
No.	Parts No.	Description	Q
1	014206Q01F000	BUSH, LOCATING	2
2	026203J01F000	SEAL-OIL DRAIN PLUG	2
3	026202J01F000	OIL DRAIN PLUG	2
4	026208G03F000	DOWEL PIN	2
5	0B01070601262	BOLT M6X12	4
6	026350Q01F000	FLOAT ASSEMBLY-LOW OIL LEVEL	1
7	015230J03F000	NUT	1
8&16	014000Q10F000	COVER ,CRANKCASE	1
	0B12016620750	BEARING 6207	1
9	026132K07F000	SEAL-OIL FILL PLUG	2
10	026131K07F000	OIL FILL PLUG	1
11	0B01070804062	BOLT M8X40	7
12	026133Q01F000	OIL SEAL	2
13	014216K07F000	OIL LEVEL DIPSTICK	1
14	026201Q01F000	GASKET-CRANKCASE COVER	1
15&23	0B12016620250	BEARING 6202	2
	026001Q10F000	CRANKCASE ASSEMBLY	1
17	014202Q01F000	PIN	1
18	026450Q01F000	LOW OIL SWITCH	1
19	014220Q01F000	CLIP CORD	1
20	026125Q01F000	SEAL GASKET, RUBBER	1
21	0B01070602562	BOLT M6X25	2
22	026229Q01F000	OIL SEAL	1

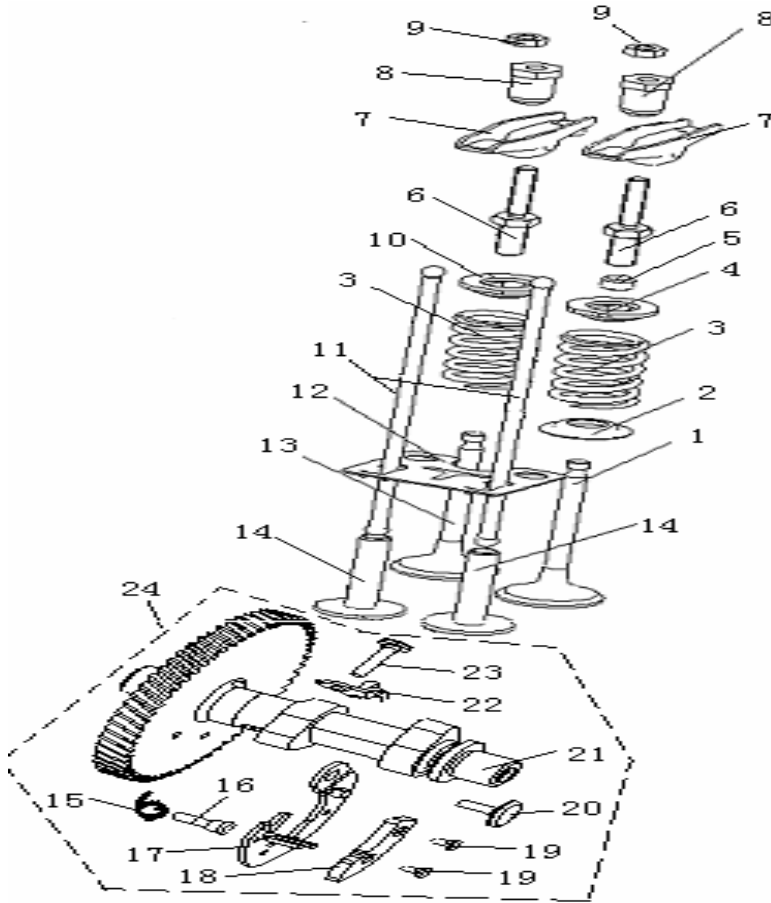


A2		CYLINDER HEAD ASSEMBLY	
No.	Parts No.	Description	Q
1	030730Q01F000	CYLINDER HEAD ASSEMBLY	1
<b>CYLINDER HEAD ASSEMBLY INCLUDES VALVE SEATS AND GUIDES. SEATS (16 &amp; 17) AND GUIDES (14 &amp; 15) CAN NOT BE PURCHASED SEPARATELY!</b>			
14	030109Q01F000	GUIDE, INTAKE VALVE	1
15	030207Q01F000	GUIDE, EXHAUST VALVE	1
16	030206Q01F000	SEAT, EXHAUST VALVE	1
17	030110Q01F000	SEAT, INTAKE VALVE	1
2	030504Q01F000	BOLT, CYLINDER HEAD	4
3	030700Q01F000	COVER-ROCKER ARM	1
4	030522Q01F000	SPACER, SEAL	1
5	030538Q01F920	CLAMP	1
6	030502Q01F920	BOLT	1
7	030503Q01F000	GASKET-CYLINDER HEAD	1
8	030520Q01F910	BOLT, INTAKE PIPE	2
9	020301Q01F000	CYLINDER COWLING	1
10	0B01070601262	BOLT M6X12	1
11	030715Q01F000	GASKET-INTAKE PIPE TO HEAD	1
12	030506Q01F910	SPARK PLUG	1
13	030702Q01F000	GASKET-ROCKER ARM COVER	1
18	0B04070600062	NUT M6	2

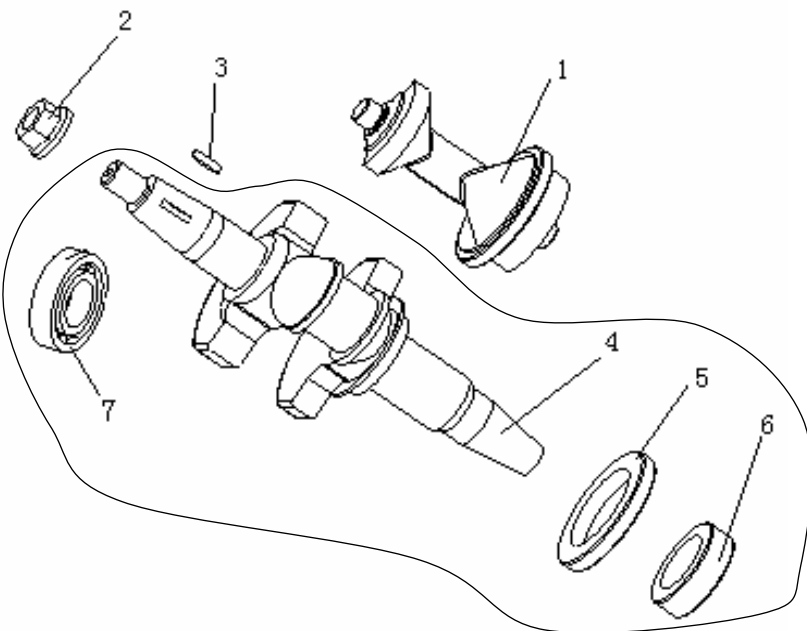
REVISION	DATE
	<b>27-Feb-06</b>



**SPARE PARTS LIST  
11HP FG6000MK**



A3		CAMSHAFT & VALVES	
No.	Parts No.	Description	Q
1	030201Q01F000	EXHAUST VALVE	1
2	030105Q01F000	LOWER RETAINER	1
3	030101Q01F930	VALVE SPRING	2
4	030106Q01F000	EXHAUST VALVE SPRING RETAIN	1
5	030214Q01F000	VALVE ROTATOR	1
6	030303Q01F000	PIVOT BOLT	2
7	030301Q01F000	VALVE ROCKER ARM	2
8	030313Q01F000	ROCKER ARM PIVOT	2
9	030302Q01F930	PIVOT ADJUSTING NUT	2
10	030203Q01F000	INTAKE VALVE SPRING RETAINER	1
11	030230Q01F000	PUSH ROD	2
12	030231Q01F000	PUSH ROD GUIDE PLATE	1
13	030103Q01F000	INTAKE VALVE	1
14	030312Q01F000	VALVE LIFTER	2
15	030605Q01F000	SPRING	1
16	030608Q01F000	PIN I	1
17	030611Q01F000	FLY WEIGHT 1	1
18	030612Q01F000	FLY WEIGHT 2	1
19	030607Q01F000	PIN IV	2
20	030609Q01F000	PIN II	1
21	030401Q01F000	CAMSHAFT	1
22	030600Q01F000	DECOMPRESS LIFTER	1
23	030613Q01F000	PIN III	1
<b>CAN'T BUY NO. 15-23 SOLELY. (PLS PURCHASE NO. 24)</b>			
24	030400Q01F000	CAMSHAFT COMP.	1

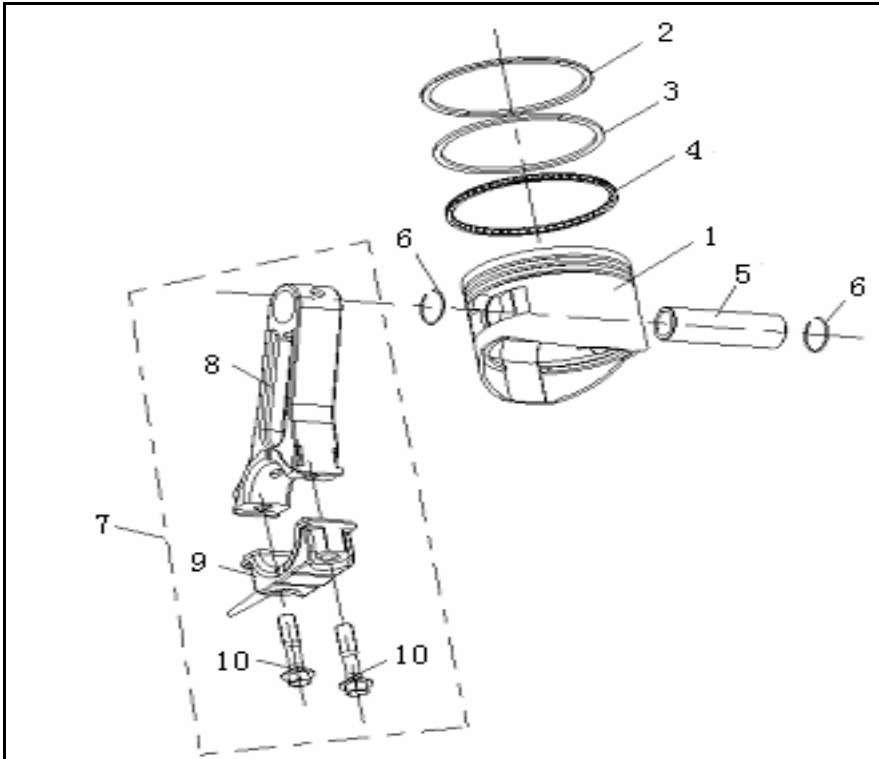


A4		CRANKSHAFT ASSEMBLY, V TYPE	
No.	Parts No.	Description	Q
1	015239Q01F000	BALANCE SHAFT	1
2	015230Q01F910	NUT, FLYWHEEL	1
3	015116Q01F000	WOODRUFF KEY, FLYWHEEL	1
4-7	015201Q03F000	CRANKSHAFT	1
	015207Q01F000	CRANKSHAFT GEAR 1	1
	015237Q01F000	CRANKSHAFT GEAR 2	1
	0B12016620750	BEARING 6207	1

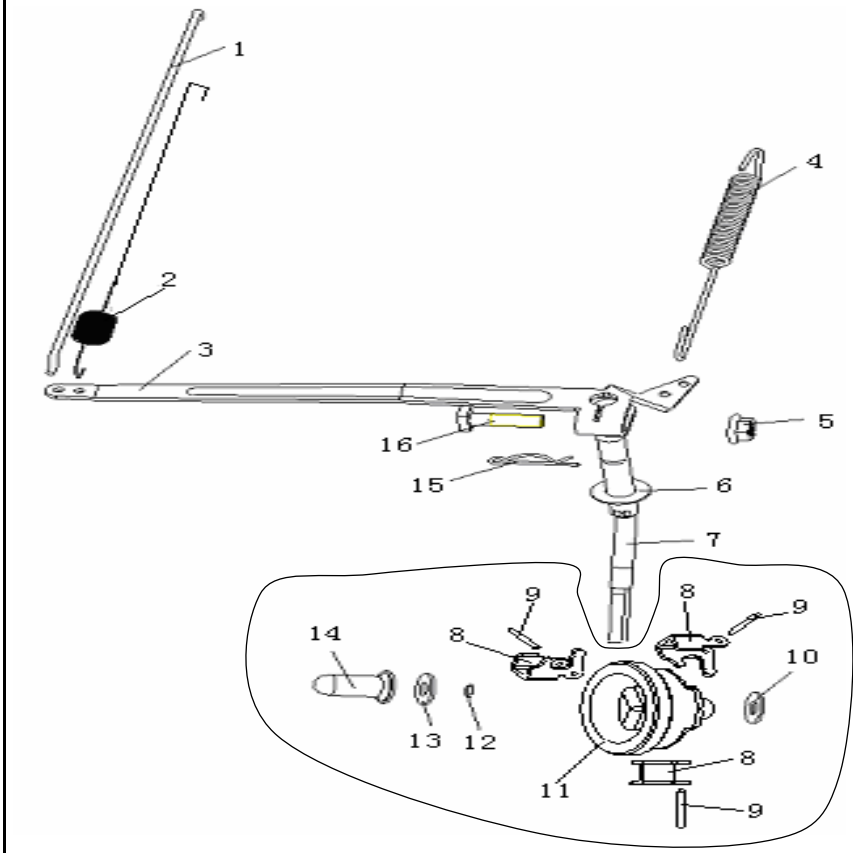
REVISION	DATE
	<b>27-Feb-06</b>



**SPARE PARTS LIST  
11HP FG600MK**



A5		CONNECTING ROD & PISTON	
No.	Parts No.	Description	Q
1	015100Q01FF10	PISTON	1
2	015103Q01F940	RING 1ST	1
3	015104Q01F000	RING 2ND	1
<b>CAN'T BUY NO. 2-3 SOLELY. (PLS PURCHASE NO. 4)</b>			
4	015300Q01F000	RING SET COMPLETE (ref. 2, 3, 4)	1
5	015105Q01F000	PIN, PISTON	1
6	015106Q01F930	CIRCLIP	2
7	015130Q01F000	CONNECTING ROD COMPLETE	1
<b>CAN'T BUY NO. 8-10 SOLELY. (PLS PURCHASE NO. 7)</b>			
8	015131Q01F000	CONNECTING ROD	1
9	015132Q01F000	CONNECTING ROD CAP	1
10	015133Q01F930	CONNECTING ROD BOLT	2

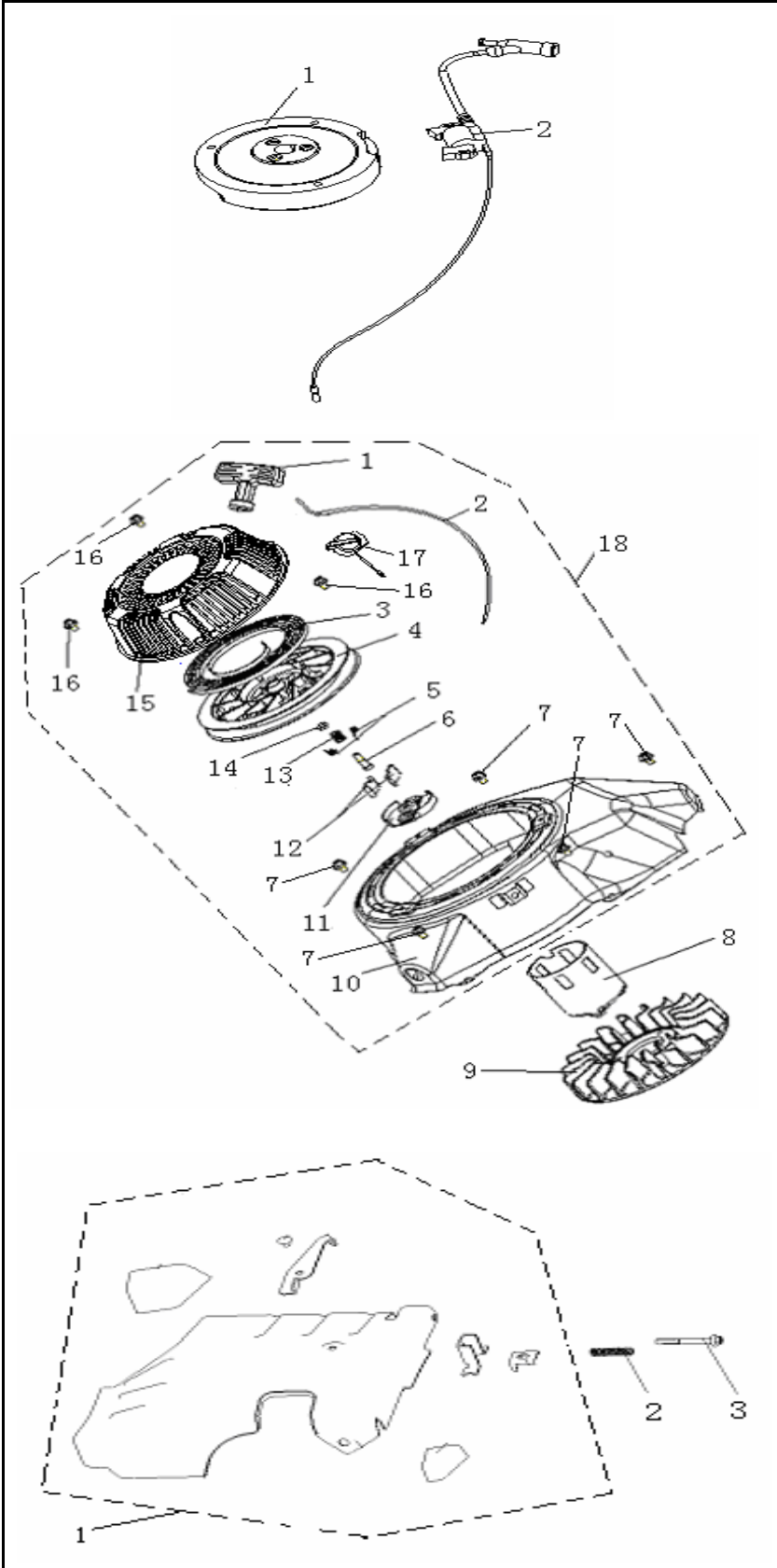


A6		GOVERNOR COMPONENTS	
No.	Parts No.	Description	Q
1	017594Q01F920	GOVERNOR LINK	1
2	017593Q01F000	ANTI-RATTLE SPRING	1
3	017581Q01F920	GOVERNOR LEVER	1
4	017592Q01F000	GOVERNOR SPRING	1
5	0B04070600062	NUT M6	1
6	017584Q01F930	WASHER	1
7	017582Q01F000	GOVERNOR SHAFT & FORK	1
8	017588Q01F000	GOVERNOR WEIGHT	3
9	017591Q01F000	GOVERNOR WEIGHT PIN	3
12	026146L01F000	CLIP	1
13	017585Q01F000	WASHER	1
14	017583Q01F000	PLUNGER	1
<b>CAN'T BUY NO. 8, 9, 12-14 SOLELY. (PURCHASE NO. 11)</b>			
11	017587Q01F000	GOVERNOR GEAR COMPLETE	1
10	017586L01F000	WASHER	1
15	017590Q01F930	CLIP	1
16	017589Q01F920	BOLT, SQUARE HEAD	1

REVISION	DATE
	<b>27-Feb-06</b>



**SPARE PARTS LIST**  
**11HP FG6000MK**



A7		IGNITION SYSTEM	
No.	Parts No.	Description	Q
1	034301Q01F000	FLYWHEEL	1
2	034351Q01F000	IGNITION MODULE W/ LEAD & WIRE	1
NOT SHOWN	030506Q01F910	SPARK PLUG	1

A8		STARTER ASSEMBLY & BLOWER HOUSING	
No.	Parts No.	Description	Q
1	017159Q01F000	HANDLE	1
2	017160Q01F000	PULL ROPE	1
3	017152Q01F000	REWIND SPRING	1
4	017155Q01F000	REWIND PULLEY	1
5	017162Q01F000	SPRING, PAWL	2
6	017180Q01F000	SCREW	1
11	017157Q01F000	GUIDE PAN	1
12	017158Q01F000	PAWL	2
13	017404Q01F000	FRICTION SPRING	1
14	017165Q01F000	WASHER	1
15	017170Q10F000	STARTER COVER	1
<b>CAN'T BUY NO. 1-6, 11-15 SOLELY. (PLS PURCHASE NO. 18)</b>			
18	017163Q10F000	STARTER COMPLETE (ref. 1-6, 11-15)	1
7	0B01090601264	BOLT M6X12	5
8	017445Q01F000	STARTER CUP	1
9	020401Q01F000	COOLING FAN	1
10	017179Q01F000	BLOWER HOUSING	1
16	0B01090608064	BOLT	3
17	034500K14F000	ENGINE ON/OFF SWITCH	1

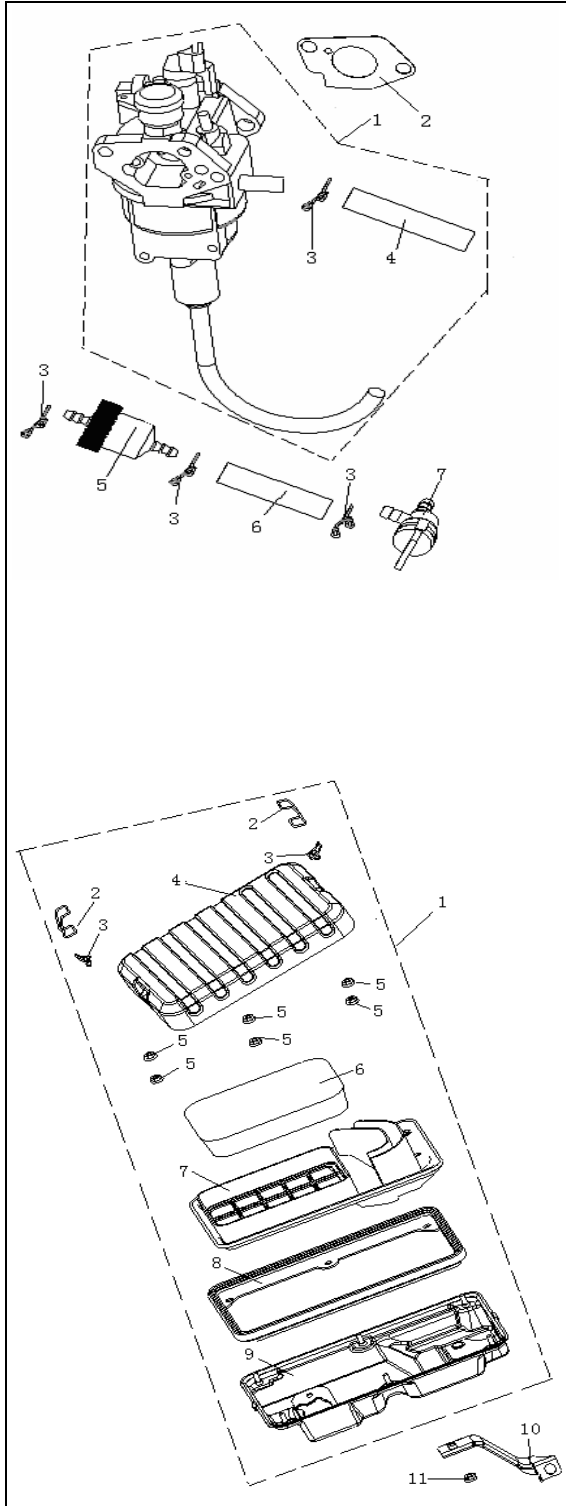
A9		ENGINE CONTROL ASSEMBLY	
No.	Parts No.	Description	Q
1	017450Q03F000	SPEED ADJUSTMENT BASE ASSEMBLY	1
2	017555K07F000	SPRING	1
3	0B02000503563	SCREW M5x35	1

REVISION	DATE
	<b>27-Feb-06</b>





**SPARE PARTS LIST  
11HP FG6000MK**

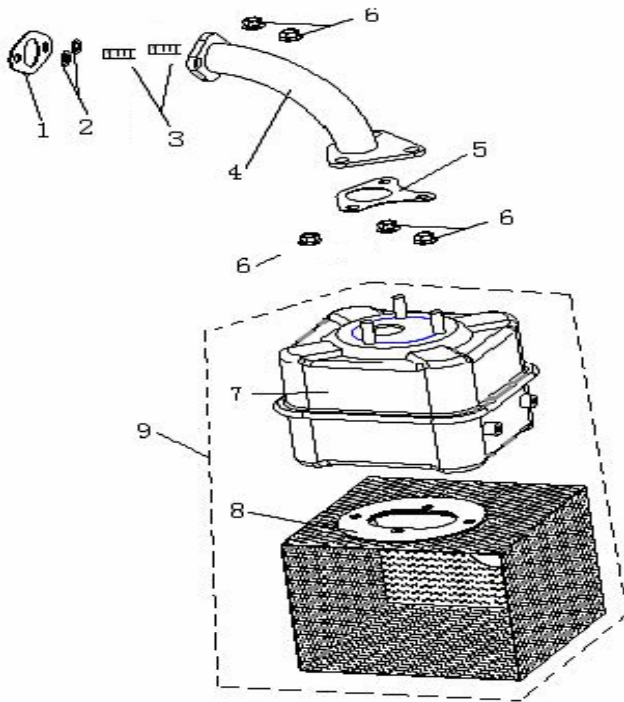


<b>A10</b>		<b>CARBURETOR ASSEMBLY</b>	
<u>No.</u>	<u>Parts No.</u>	<u>Description</u>	<u>Q</u>
1	032600Q03F000	CARBURETOR ASSY	1
<i>CAN'T BUY NO. 3-4 SOLELY. (PLS PURCHASE NO. 1)</i>			
3	032623H03F000	CLIP	4
4	032624Q03F000	HOSE $\Phi 5 \times \Phi 8.5 \times 145$	1
2	032103Q01F000	CARBURETOR MOUNTING GASKET	1
5	032707K14F000	FUEL FILTER, INLINE	1
6	032725Q03F000	HOSE $\Phi 5 \times \Phi 12 \times 65$	1
7	032716K14F000	FUEL SHUTOFF VALVE	1

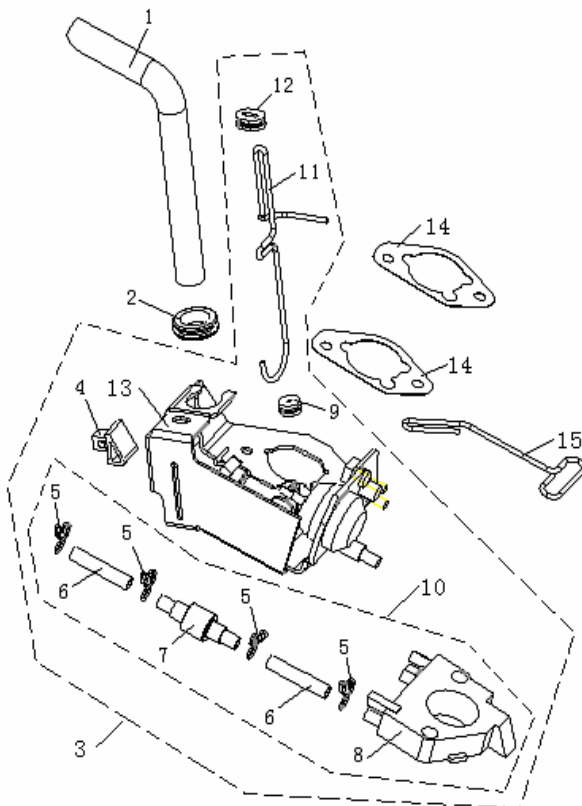
<b>A11</b>		<b>AIR FILTER ASSEMBLY</b>	
<u>No.</u>	<u>Parts No.</u>	<u>Description</u>	<u>Q</u>
1	037000Q03F000	AIR CLEANER ASSEMBLY COMPLETE	1
<i>CAN'T BUY NO. 4-5, 7-9 SOLELY. (PLS PURCHASE NO. 1)</i>			
4	037101Q03F000	AIR CLEANER COVER	1
5	0B04070500053	NUT M5	6
7	037122Q01F000	FILTER SUPPORT GRID	1
8	037114Q01F000	SEAL GASKET	1
9	037121Q01F000	BASE-FILTER BOX	1
2	037112Q01F00A	CLIP WIRE	2
3	037112Q01F00B	CLIP LEVER	2
6	037102Q01F000	ELEMENT-AIR FILTER	1
10	037105Q01F000	AIR CLEANER SUPPORT BRACE	1
11	0B04070600053	NUT M6	1

REVISION	DATE
	<b>27-Feb-06</b>

**SPARE PARTS LIST**  
**11HP FG600MK**



A12		MUFFLER ASSY	
No.	Parts No.	Description	Q
1	7082-FG6001	EXHAUST GASKET	1
2	7WSC-08-QJ	WASHER M8	2
3	030521Q01F000	BOLT	2
4	7296-ES8001	EXHAUST PIPE	1
5	7082-FG6002	MUFFLER GASKET	1
6	7NHC-08-QJ	NUT M8	5
7	7301-FG6001	MUFFLER	1
8	7104-ES8001	MUFFLER COVER	1
9	036100Q03F000	MUFFLER WITH COVER	1



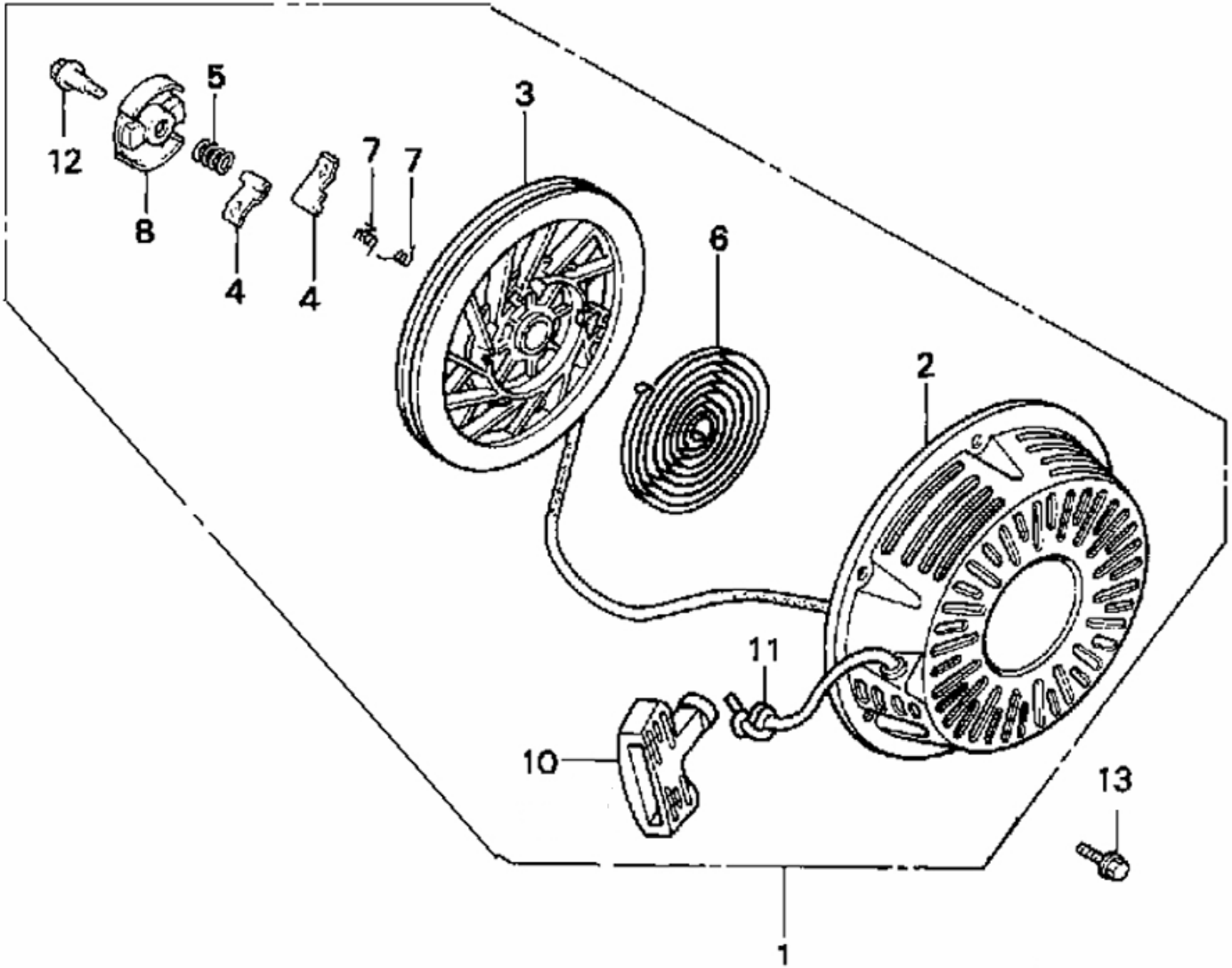
A13		AUTO CHOKE VALVE ASSEMBLY	
No.	Parts No.	Description	Q
1	030713Q01F000	BREATH TUBE	1
2	030718Q01F000	RUBBER GROMMET	1
3	032850Q01F000	AUTO CHOKE VALVE ASSEMBLY	1
<b>CAN'T BUY NO. 4-13, 15 SOLELY. (PLS PURCHASE NO. 3)</b>			
4	032851Q01F000	CLIP	1
5	032853Q01F000	HOSE CLAMP	4
6	032852Q01F000	HOSE $\Phi 4 \times \Phi 8 \times 135$	2
7	032861Q01F000	VALVE	1
8	030548Q01F000	BAKELITE BASE	1
9	032854Q01F000	RUBBER GROMMET	1
10	032860Q01F000	VALVE ASSEMBLY	1
11	032855Q01F000	CHOKE VALVE LINK	1
	032855Q01F00B	CHOKE VALVE LINK	1
12	032856Q01F000	RUBBER GROMMET	1
13	032870Q01F000	VACUUM BODY	1
15	032910Q03F000	CHOKE PULL ROD	1
14	037113Q01F000	MOUNTING GASKET	2

REVISION	DATE
	<b>27-Feb-06</b>



**SERVICE SPARE PARTS LIST  
11HP FG6000MK**

SPECIFY MODEL NO. WHEN ORDERING PARTS		DATE	REVISED DATE
<b>STARTER RECOIL ASS'Y</b>		<b>27-Feb-06</b>	
MODEL NO.	7228-FG6046		

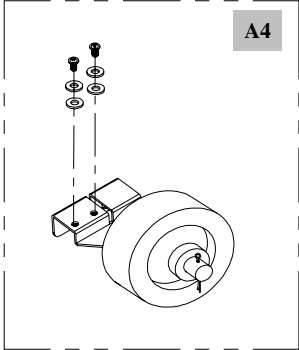
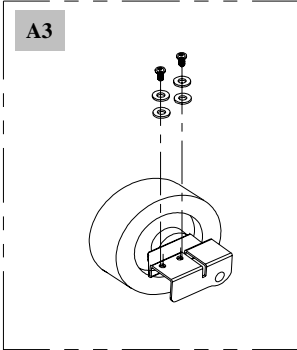
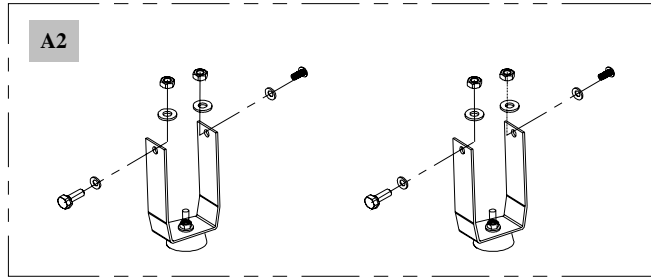
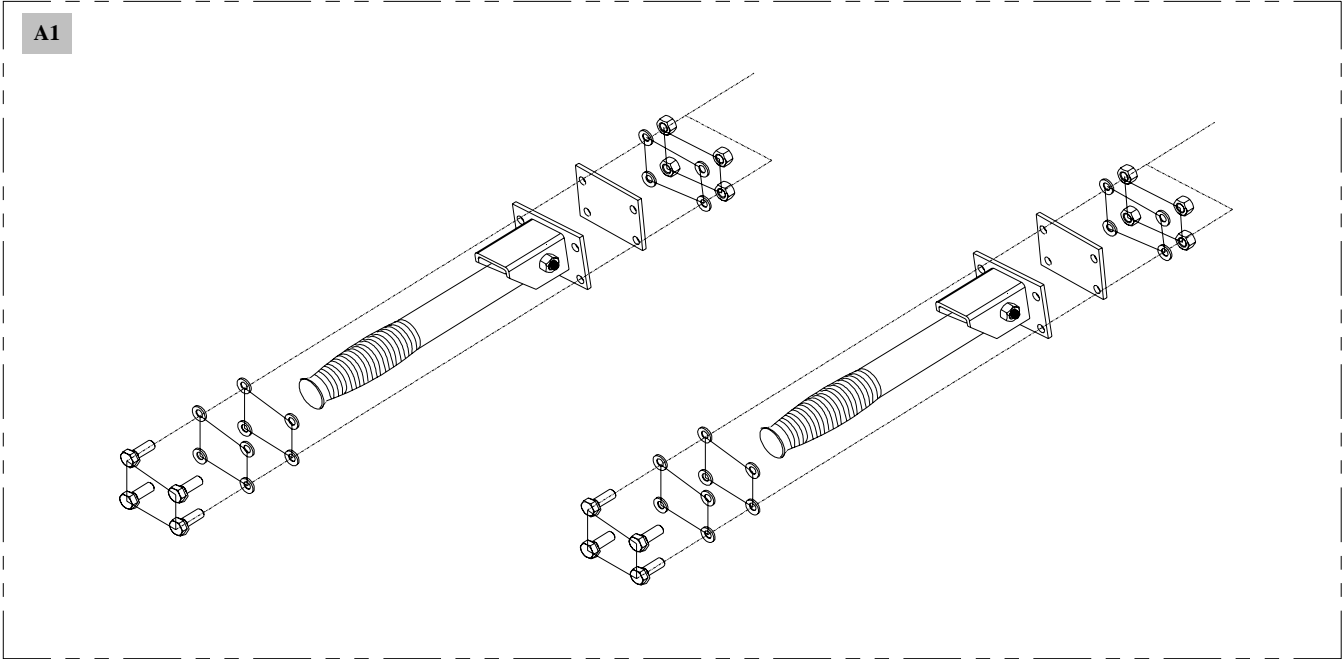


No.	Parts No.	Description	Q	No.	Parts No.	Description	Q
1	7228-FG6046	STARTER ASSY, RECOIL	1	7	017162Q01F000	SPRING, RATCHET	2
<b>CAN'T BUY NO. 2-12 SOLELY. (PLS PURCHASE NO. 1)</b>				8	017157Q01F000	RATCHET, SPRING	1
2	017170Q10F000	CASE COMP, RECOIL	1	10	017159Q01F000	GRIP, STARTER	1
3	017155Q01F000	PULLEY, RECOIL STARTER	1	11	017160Q01F000	ROPE, RECOIL STARTER	1
4	017158Q01F000	RATCHET, STARTER	2	12	017180Q01F000	SCREW, CENTER	1
5	017404Q01F000	SPRING, FRICTION	1	13	0B01090608064	BOLT	3
6	017152Q01F000	SPRING, STARTER RETURN	1				



**SERVICE SPARE PARTS LIST**  
**11HP FG6000MK**

SPECIFY MODEL NO. WHEN ORDERING PARTS		DATE	REVISED DATE
<b>WHEEL AND HANDLE ASS'Y</b>		<b>27-Feb-06</b>	
<b>MODEL NO.</b>	<b>7228-FG6018</b>		



<u>No.</u>	<u>Parts No.</u>	<u>Description</u>	<u>Q</u>	<u>No.</u>	<u>Parts No.</u>	<u>Description</u>	<u>Q</u>
A1	7228-FG6053	HANDLE ASS'Y	1	A3	7228-FG6055	WHEEL ASS'Y, (L)	1
A2	7228-FG6054	BRACKET ASS'Y	1	A4	7228-FG6056	WHEEL ASS'Y, (R)	1

## Free Manuals Download Website

<http://myh66.com>

<http://usermanuals.us>

<http://www.somanuals.com>

<http://www.4manuals.cc>

<http://www.manual-lib.com>

<http://www.404manual.com>

<http://www.luxmanual.com>

<http://aubethermostatmanual.com>

Golf course search by state

<http://golfingnear.com>

Email search by domain

<http://emailbydomain.com>

Auto manuals search

<http://auto.somanuals.com>

TV manuals search

<http://tv.somanuals.com>