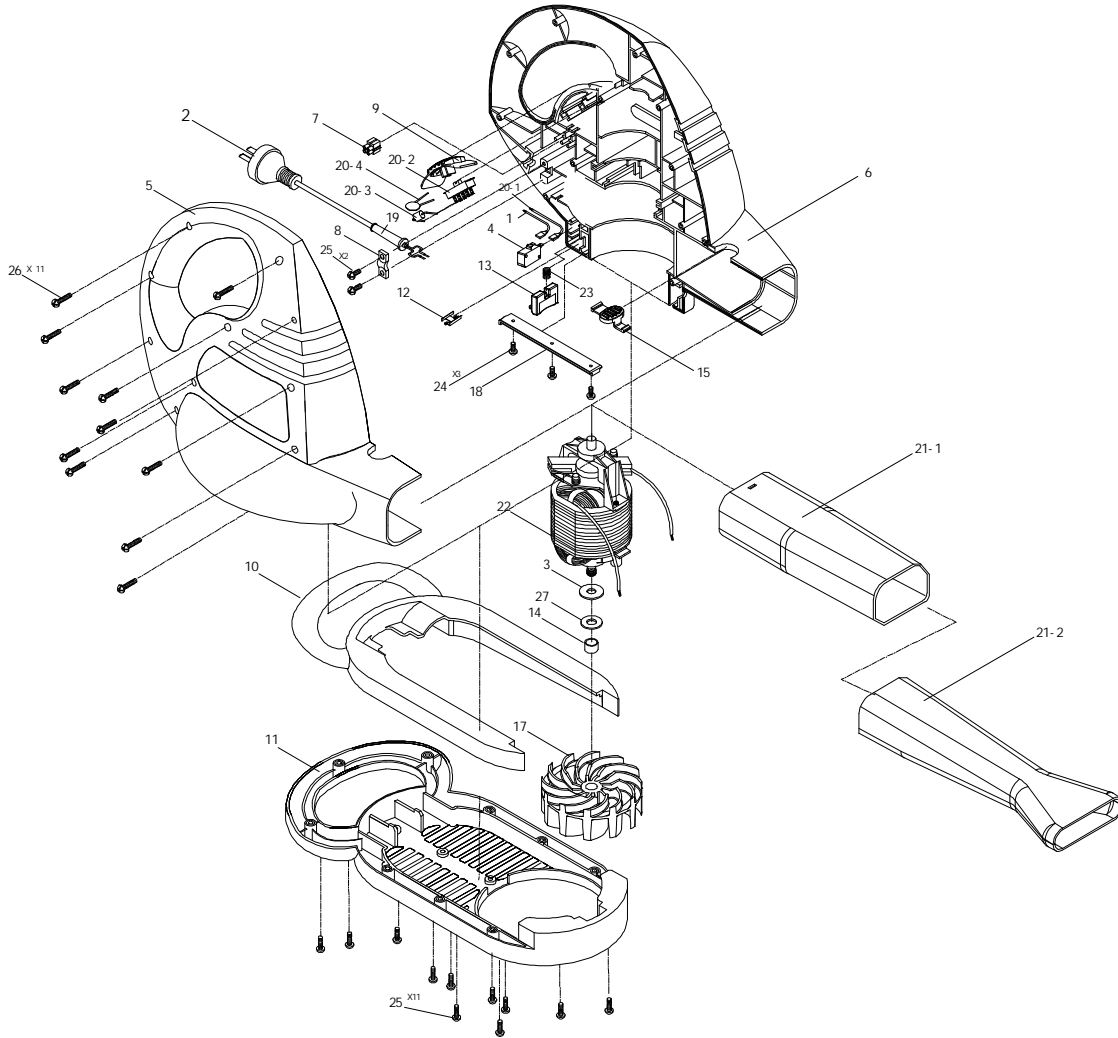




## SERVICE SPARE PARTS LIST

SPECIFY MODEL NO. WHEN ORDERING PARTS		DATE
<b>12A Blower</b>		<b>8/22/2001</b>
MODEL NO.	<b>MB2205 41AB225Q077</b>	



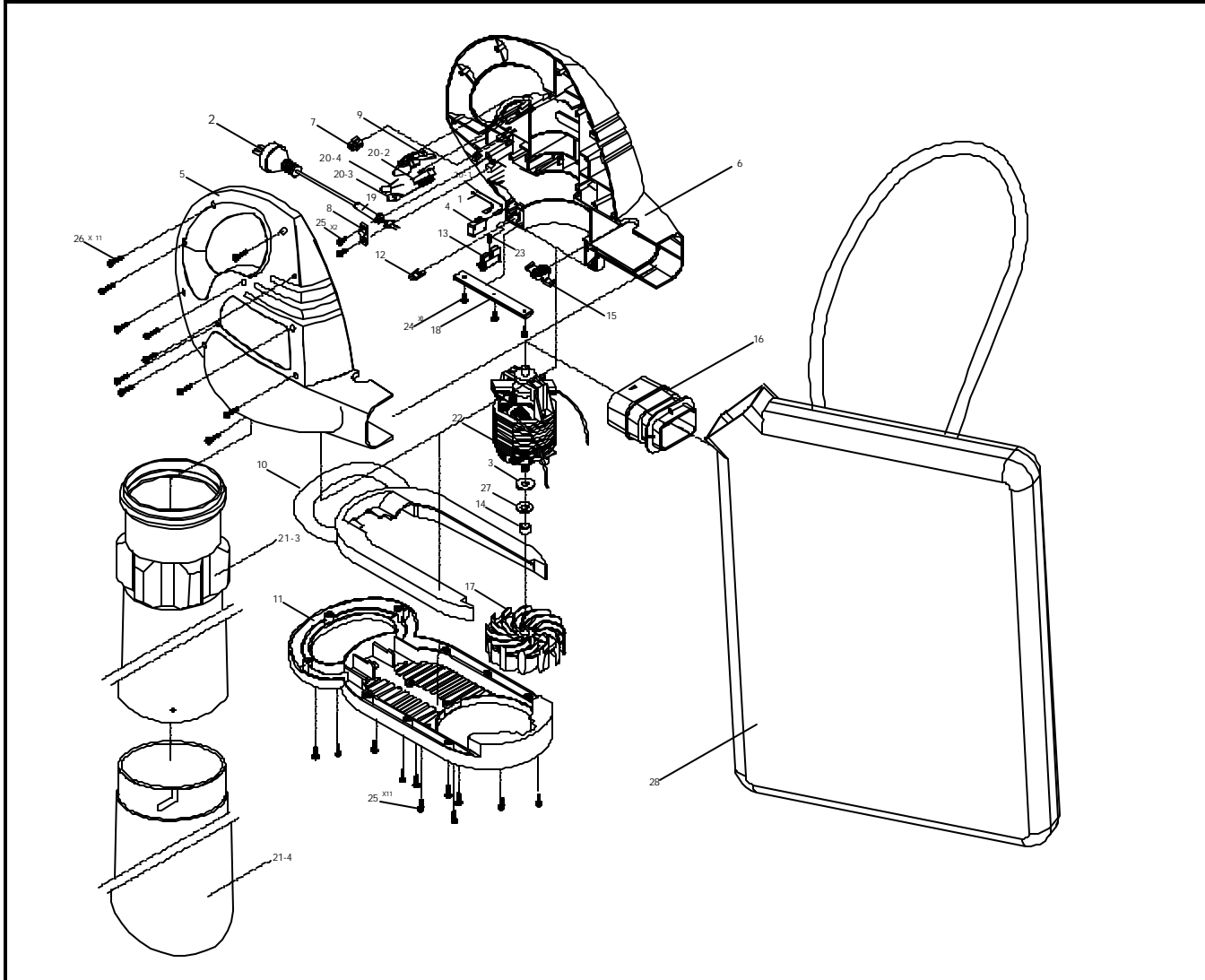
Ref. No.	Parts Number	Description
1	6010-220302	WIRE
2	<b>6011-220302</b>	<b>POWER CORD</b>
3	6014-220101	WASHER
4	<b>6022-840001</b>	<b>SWITCH</b>
5	6038-2203XX	HOUSING (L)
6	<b>6038-2203XX</b>	<b>HOUSING (R)</b>
7	6041-840001	TERMINAL BLOCK
8	<b>6043-840001</b>	<b>STRAIN RELIEF</b>
9	5056-2203XX	KNOB
10	<b>6068-2203XX</b>	<b>UPPER HANDLE</b>
11	6068-2203XX	LOW HANDLE
12	<b>6079-220301</b>	<b>SPRING PLATE</b>
13	6114-220301	SAFETY SHAFT
14	<b>6124-220101</b>	<b>SHAFT SLEEVE</b>

Ref. No.	Parts Number	Description
15	6134-2203XX	BUTTON
17	<b>6169-220301</b>	<b>FAN</b>
18	6187-220301	TRANSMISSION SHAFT
19	<b>6199-830001</b>	<b>CORD GUARD</b>
20	6228-220402	SWITCH ASS'Y
21	<b>6228-220309</b>	<b>ABSORBTING TUBE ASS'Y</b>
21-1	6129-220307	TUBE
21-2	<b>6129-220308</b>	<b>TUBE</b>
22	6099-220502	MOTOR 120V
23	<b>6024-220301</b>	<b>SPRING</b>
24	6SDABB04-08	SCREW
25	<b>6SDABB04-14</b>	<b>SCREW</b>
26	6SDABB04-18	SCREW
27	<b>6WFB-08-12</b>	<b>WASHER</b>



# SERVICE SPARE PARTS LIST

SPECIFY MODEL NO. WHEN ORDERING PARTS		DATE
<b>12A Blower</b>		<b>8/22/2001</b>
MODEL NO.	<b>MB2205 41AB225Q077</b>	



Ref. No.	Part Number	Description
1	6010-220302	WIRE
2	<b>6011-220302</b>	<b>POWER CORD</b>
3	6014-220101	WASHER
4	<b>6022-840001</b>	<b>SWITCH</b>
5	6038-2203XX	HOUSING (L)
6	<b>6038-2203XX</b>	<b>HOUSING (R)</b>
7	6041-840001	TERMINAL BLOCK
8	<b>6043-840001</b>	<b>STRAIN RELIEF</b>
9	5056-2203XX	KNOB
10	<b>6068-2203XX</b>	<b>UPPER HANDLE</b>
11	6068-2203XX	LOW HANDLE
12	<b>6079-220301</b>	<b>SPRING PLATE</b>
13	6114-220301	SAFETY SHAFT
14	<b>6124-220101</b>	<b>SHAFT SLEEVE</b>
15	6134-2203XX	BUTTON
16	<b>6154-220301</b>	<b>CONNECTING PIPE</b>

Ref. No.	Part Number	Description
17	6169-220301	FAN
18	<b>6187-220301</b>	<b>TRANSMISSION SHAFT</b>
19	6199-830001	CORD GUARD
20	<b>6228-220402</b>	<b>SWITCH ASS'Y</b>
21	6228-220309	ABSORTING TUBE ASS'Y
21-1	<b>6129-220307</b>	<b>TUBE</b>
21-2	6129-220308	TUBE
21-3	<b>6129-220302</b>	<b>TUBE</b>
21-4	6129-220303	TUBE
22	<b>6099-220502</b>	<b>MOTOR 120V</b>
23	6024-220301	SPRING
24	<b>6SDABB04-08</b>	<b>SCREW</b>
25	6SDABB04-14	SCREW
26	<b>6SDABB04-18</b>	<b>SCREW</b>
27	6WFB-08-12	WASHER
28	<b>6279-220301</b>	<b>DUST BAG</b>

## Free Manuals Download Website

<http://myh66.com>

<http://usermanuals.us>

<http://www.somanuals.com>

<http://www.4manuals.cc>

<http://www.manual-lib.com>

<http://www.404manual.com>

<http://www.luxmanual.com>

<http://aubethermostatmanual.com>

Golf course search by state

<http://golfingnear.com>

Email search by domain

<http://emailbydomain.com>

Auto manuals search

<http://auto.somanuals.com>

TV manuals search

<http://tv.somanuals.com>