

Use and Care Guide

Drying cabinet

MDE 1100AES



Dear MAYTAG customer!

Congratulations on your excellent product choice and welcome to the Maytag family. A global family with its roots in Scandinavia.

Cleaning results, design, environmental impact on nature and home, user friendliness, low consumption of time, energy and water, a long life span, reliability.... Good appliances should include all of these. And this is what we try to give you.

When you buy an MAYTAG product, we want you to feel assured that the inside is as good as the outside and that the ethics and morals on which we built this machine are just as high as the quality and performance you get from it. That is what Scandinavian quality is all about.

In order to get the best possible results from your machine and all its functions, please read this Use and Care Guide before using the machine for the first time.


And if you have any questions, please do not hesitate to call us or contact us via our web site.

Best regards from Scandinavia and the people at Maytag.

Contents

Safety Instructions	4	How to use the drying cabinet	19
Symbols	4	Starting	19
Important safety information	4	Setting pause and restart	19
Description of the drying cabinet	5	Stopping	19
Control panel	6	Loading	19
Where to install it	7	Some advice for users	20
Electrical requirements	8	Setting the temperature selector knob	21
User's responsibility	8	Care	22
Electrical connection	8	Cleaning the drying cabinet	22
Ventilation alternatives	9	When the drying cabinet is not in use	22
Ventilation out into the room where the drying cabinet is located	9	Trouble Shooting	23
Connection to a vent duct	10	Service	24
Installation	12	Technical information	25
Unpacking	12	Technical characteristics	25
Complete delivery includes	12	Evacuation/Air intake	25
Recommended tools	12	Energy consumption and drying time	25
Placing the door the other way round	13	Manufacturing standards	25
Horizontal adjustment	14	Air gap left during mounting	25
Mounting	14	Personal notes	26
Mounting into custom cabinetry	15		
Ventilation connection	17		
Electrical connection	17		
Final check	18		

Safety Instructions

Read this manual very carefully and follow the instructions provided. Especially important information is indicated by the accompanying symbols  and text WARNING or ATTENTION.

Symbols



WARNING

Indicates a risk of personal injuries or serious damage to the product if the instructions are not followed.

Advice and instructions about the best way to use the product and avoid operating disorders.



ATTENTION

Other important remarks

Important safety information

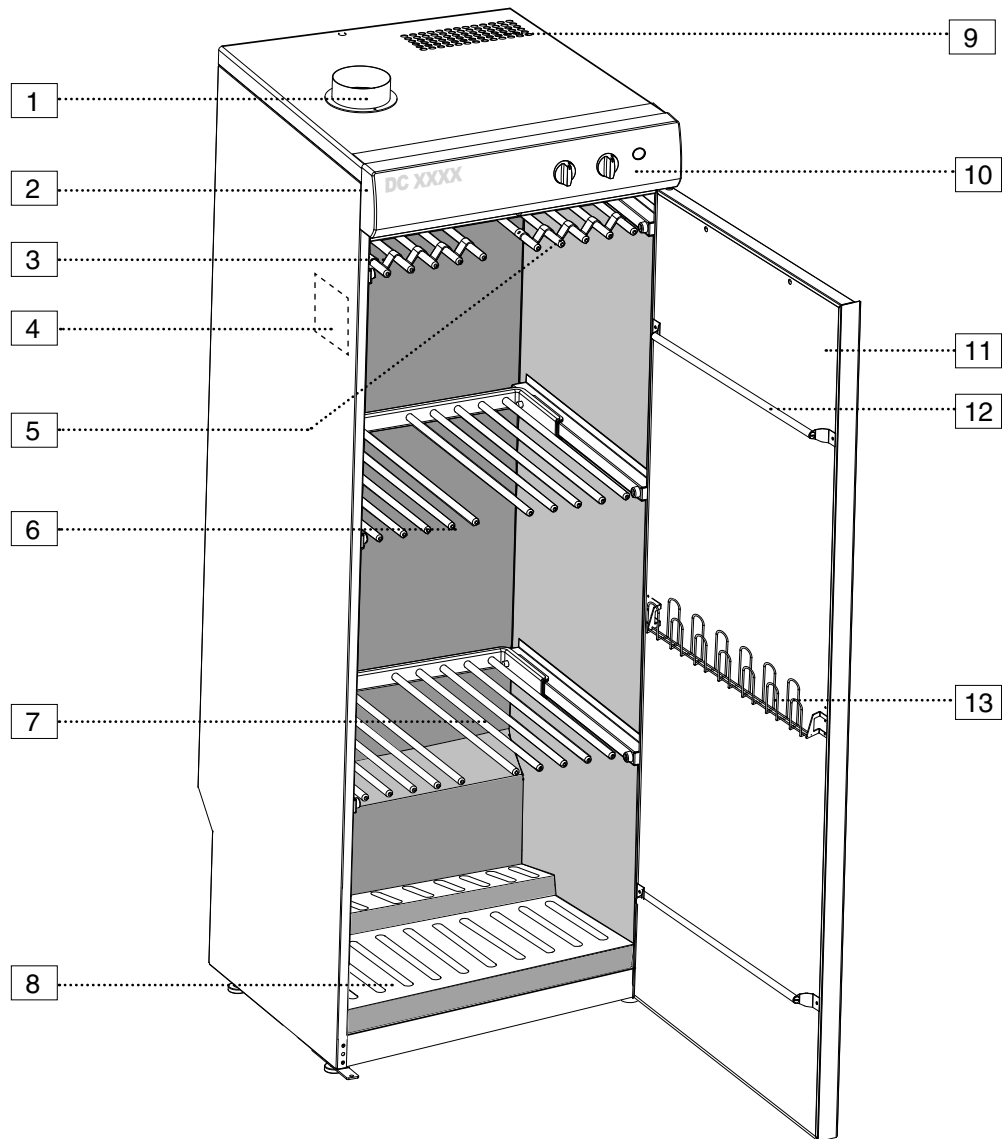
The following advice and warnings have been drawn up, so that you may avoid both misusing the drying cabinet and the risk of unnecessary accidents. So read the following through very carefully before installing and using the drying cabinet.

- Read this Use and Care Guide before using the drying cabinet.
- Do not dry articles of clothing or similar items which have just been treated with petrol or some other volatile and inflammable agent. This can result in the build up of an explosive mixture of gases.
- Do not allow children to play in or on the drying cabinet. Keep an eye on children when they are in the immediate vicinity of the cabinet.

Keep this Use and Care Guide in a safe place so that it will always be at hand for future reference.

- The drying cabinet should be installed or kept in storage indoors.
- Follow Asko's recommendations concerning repairs and spare part replacement.
- If a softening agent or antistatic substance is used, the manufacturer's instructions concerning the utilisation of the product should be followed.
- Do not use heat in the cabinet for products containing foam rubber or similar material. Follow the manufacturer's washing and drying instructions for such products very carefully.
- Keep the area around the evacuation duct free from dust and dirt.
- Regularly clean the inside of the drying cabinet.

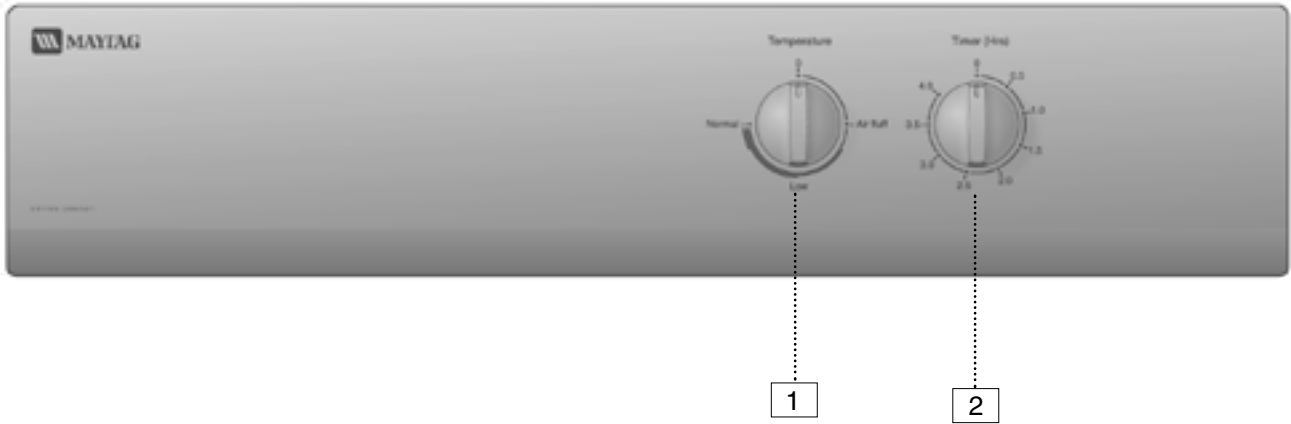
Description of the drying cabinet



1. Exhaust collar
2. Drying cabinet model
3. Hanger hooks
4. Identification plate (inside)
5. Upper hanger section
6. Middle hanger section
7. Lower hanger section
8. Shoe rack
9. Air intake
10. Control panel
11. Door
12. Door hanger for lighter items
12. Glove hanger
13. Glove hanger



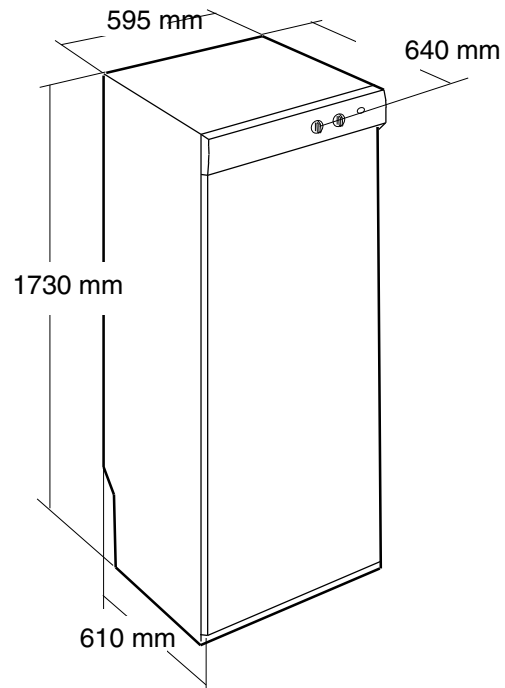
Control panel



1. *Temperature setting*
2. *Timer*

Where to install it

- ❑ If the drying cabinet is to be installed with a connection to exhaust air ventilation, this must be available on the premises. See further section “*Ventilation alternatives*”, page 9.
- ❑ A grounded electrical outlet must be within 79 in. (2 meters) of the drying cabinet’s upper section. A 79-in. (2-meter) grounded power cord with a plug is connected at the top of the drying cabinet. If the electrical outlet is not located as above, the location must be adjusted so that an extension cord is not necessary.
- ❑ The electrical outlet shall be easily accessible after installation of the drying cabinet. Take this into consideration even in cases when the drying cabinet is built into custom cabinetry or similar framing. For further information, see the section “*Electrical requirements*”.
- ❑ The floor must be able to support the weight of the cabinet 133 lbs (60 kg).
- ❑ The floor must be flat with a slope under the cabinet of no more than 1 in. (2.5 cm).
- ❑ The drying cabinet is only intended for installation indoors and at temperatures above 0°C (32°F).
- ❑ The drying cabinet may not be located in environments where pressurized water is used for cleaning.



Electrical requirements

User's responsibility

It is the responsibility of the user to contact a qualified electrician if the electric outlet socket is not easily accessible as laid down in this manual



WARNING

**Connect to grounded wall outlet .
Do not use an adapter or an extension cord.**

Electrical connection

- ❑ The drying cabinet must be connected to a 230 Volt single-phase 50 Hz grounded wall outlet. The electric outlet must be installed and grounded in accordance with regulations in force.
- ❑ The drying cabinet is delivered complete with connections, including a 2 metre long cable with a grounded plug.
- ❑ Do not change the flexible cord and plug which come with the drying cabinet. If the plug is not adapted to the electric outlet, this problem should be put in the hands of a qualified technician.
- ❑ The drying cabinet should be connected with the provided connector cable and must not be permanently connected!
- ❑ The electrical outlet should be placed in such a way that the plug can easily be pulled out whenever necessary.
- ❑ Check that mains supply complies with the data on the identification plate and also that the main lead is grounded in the correct fashion, according to standards in force. We recommend that the main lead be provided with a **circuit breaker**.
- ❑ The connection shall be separately fused.
- ❑ The manufacturer declines all responsibility for any consequences if the electrical connection is not made in the manner laid down in this Use and Care Guide.

Ventilation alternatives

Moist air can be discharged in two ways:

Ventilation out into the room where the drying cabinet is located

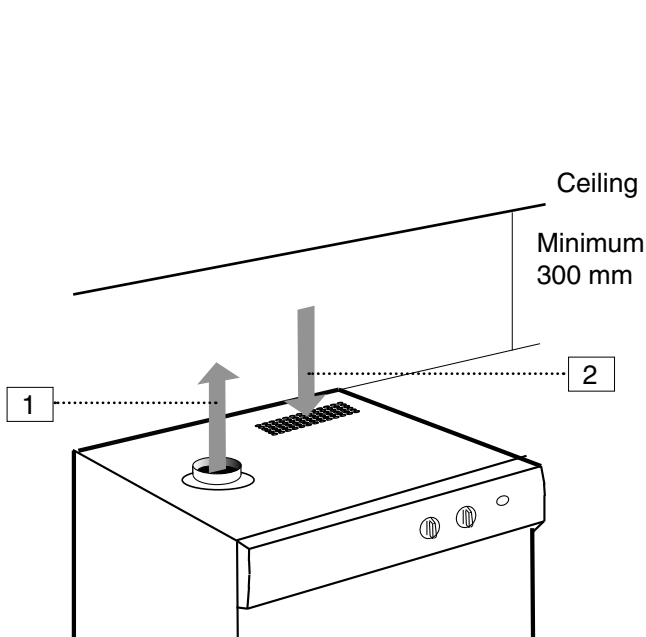
Connection to a vent duct (exhaust air ventilation)

Ventilation out into the room where the drying cabinet is located

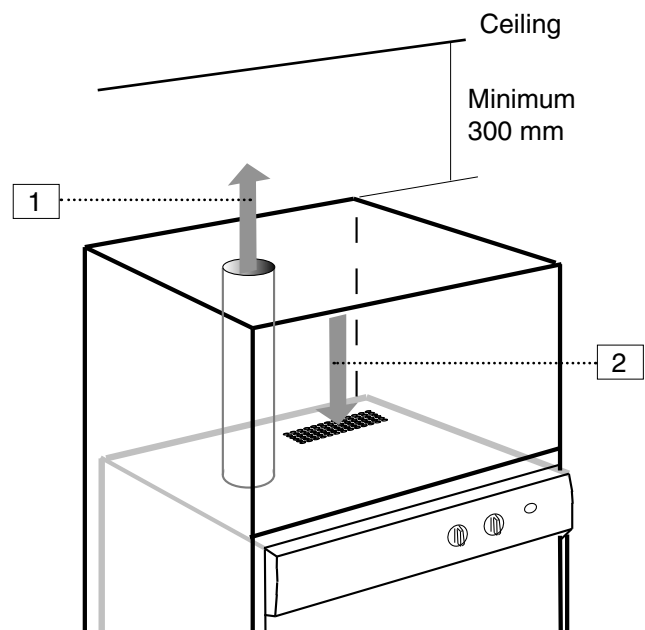
- ❑ Do not hesitate to open doors or windows in the room for optimum ventilation.
- ❑ In the case of an inbuilt drying cabinet, exchange the flexible ventilation hose delivered with the cabinet (only certain markets) for a rigid ventilation pipe of 100 mm in diameter.
- ❑ The distance between the top edge of the pipe and the ceiling should not be less than 300 mm.
- ❑ The ventilation pipe must reach the outside of the cabinet mounting unit.
- ❑ Be sure that there is a good supply of air to the drying cabinet air intake orifice.

The room must be well aired

1. Humid air out
2. Air intake



Ventilation out into the room where the drying cabinet is located. Drying cabinet not built in



Ventilation out into the room where the drying cabinet is located. Built-in drying cabinet in custom cabinetry

Connection to a vent duct

When the cabinet is on, 45 m³ of humid air are evacuated per hour. So make sure that air can penetrate into the room to replace the humid air given off by the drying cabinet.



ATTENTION

The drying cabinet must not be connected to the fireplace chimney

The drying cabinet can be connected to a vent duct in two ways:

With a draft stabilizer

The ventilation duct valve is replaced by a draft stabilizer (included in the delivery).

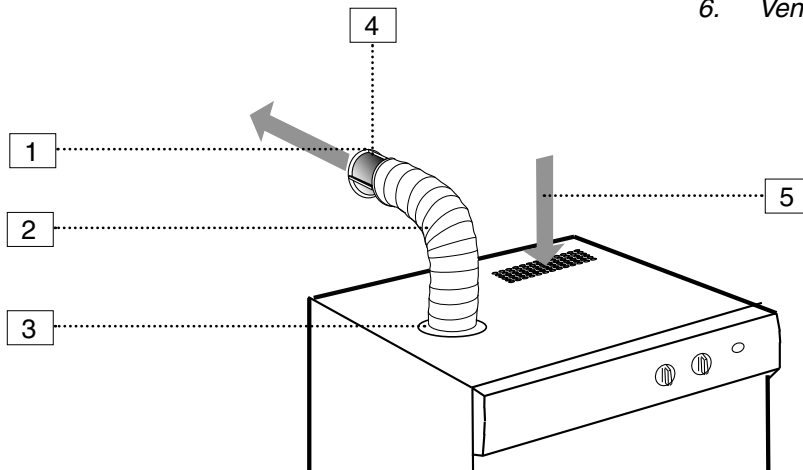
See also the section 'Connect Ventilation' page 17.

Do not assemble the ventilation duct valve inside the drying cabinet



6

1. Humid air out
2. Hose
3. Exhaust collar
4. Draft stabilizer
5. Air intake
6. Ventilation duct valve



The drying cabinet is connected to the evacuation duct with a draft stabilizer

Permanently installed and connected to a vent duct (only certain markets)

When the drying cabinet is permanently connected to the vent duct, the entire room is ventilated through the drying cabinet.

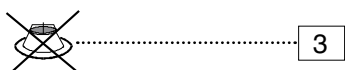
The ventilation duct valve is replaced by an adapter (not included).

See also the section 'Connect Ventilation' page 17.

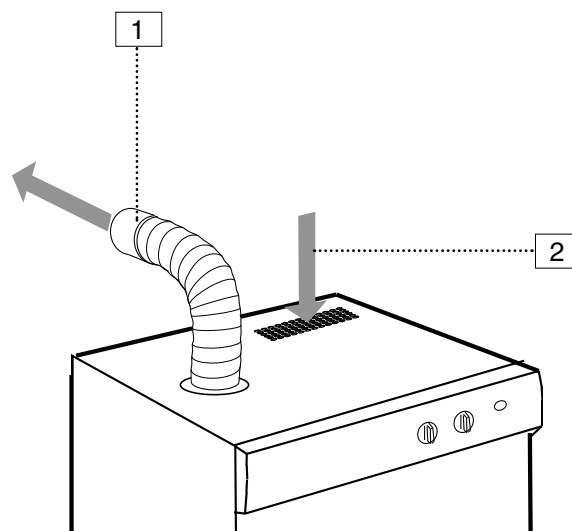
⚠ ATTENTION

Only the evacuation hose delivered with the cabinet must be used. (For the markets where such an article is included)

Do not assemble the ventilation duct valve inside the drying cabinet.



1. Adapter
2. Air intake
3. Ventilation duct valve



The drying cabinet permanently installed and connected to the evacuation duct

Installation

Unpacking



WARNING

The cabinet can easily tip over since it is not yet solidly screwed into place.



WARNING

The packing material such as plastic or frigolite should be kept out of children's way.

- Take off all the packing material; do not use a sharp tool which could damage the product.
- Check that the drying cabinet has not been damaged during transportation. The distributor should be notified of any damage during transportation within 7 days.
- After unpacking, check that the drying cabinet is free from defects. The distributor should immediately be notified of any damage, defects or even missing parts.
- Check that all the safety devices used for transportation have been removed before the drying cabinet is connected.

Complete delivery includes

- The cabinet with the fan unit
- Flexible hose for ventilation (only certain markets)
- Exhaust collar with 2 attachment screws
- Draft stabilizer (only certain markets)
- Attachment screws (2 screws, washers and protective caps) for firmly fixing the cabinet to the wall
- Allen wrench and protective caps for the adjustable feet
- The Use and Care Guide for installation and utilisation

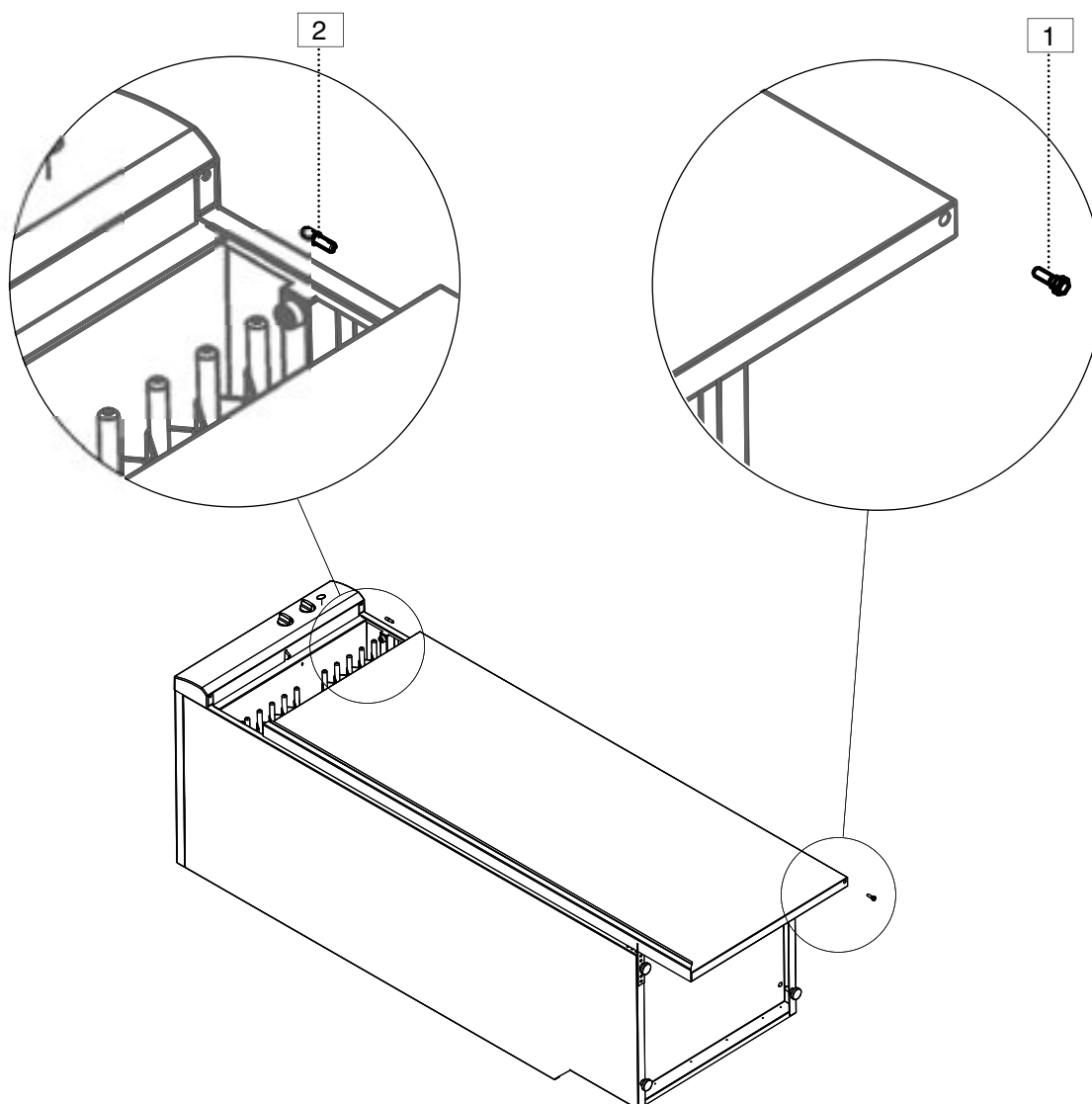
Recommended tools

- Bubble level
- Tape measure
- Hand drill
- Screwdriver (Phillips)
- An 8 mm diameter drill bit
- Pencil
- Protective gloves (if supplied)

Placing the door the other way round

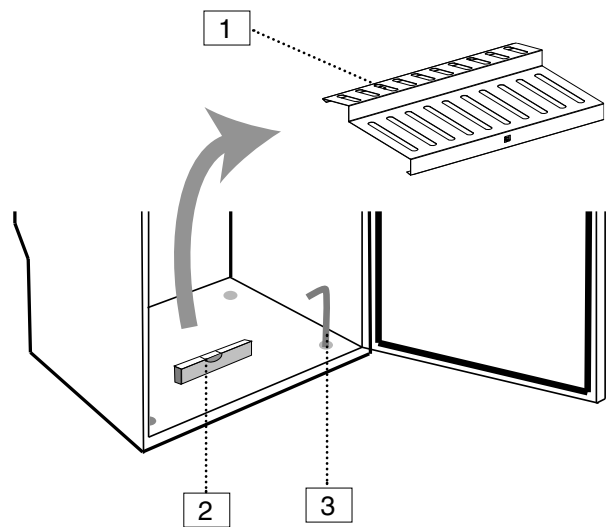
The door can be hung on its hinges on the left or the right.

1. Lay the drying cabinet on its back side.
2. Disengage the hinge pin of the bottom hinge (1) and lift the door off.
3. Take off the plastic plug and press it right down on to the bottom hinge on the opposite side.
4. Disengage the hinge pin of the upper hinge (2) and place it on the opposite side.
5. Completely unscrew the glove hangers on the inside of the door and turn them completely around. The glove hangers are fastened into place with four screws.
6. Rotate the door, fit it into place and fix it firmly by means of the lower hinge pin (1).



Horizontal adjustment

1. Lift out the shoe rack.
2. Control that surfaces are horizontal by placing a bubble level parallel to the walls and parallel to the back and the door.
3. Use the Allen wrench provided, and correct the position of all four adjustable feet through the holes in the base plate of the drying cabinet (use pliers if necessary).
4. Press the four protective caps down firmly into the holes.

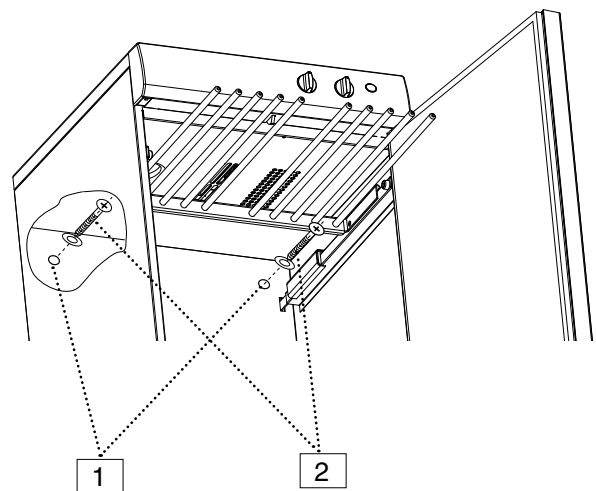


1. Shoe rack
2. Bubble level
3. Allen wrench

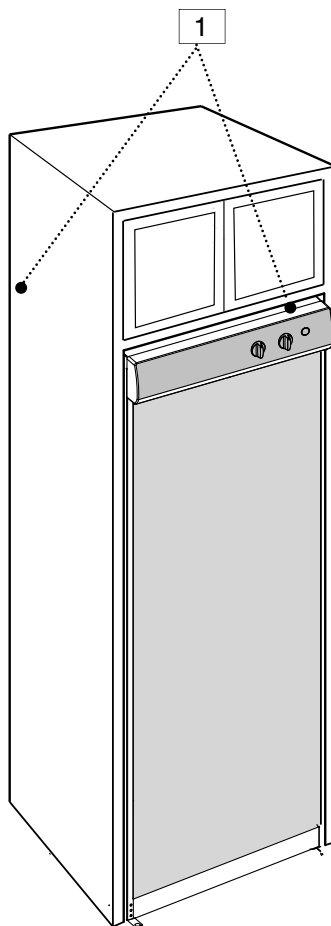
Mounting

1. Take out the upper hanging section and mark the centres of the holes on the wooden strip (see the section "Installing in the cabinet mounting unit") or on the wall behind the drying cabinet.
2. Pre-drill the holes in the spacer bead for the attachment screws.
3. Fix the cabinet in place using the provided screws with their matching washers.
4. In the same way, fix the protective caps provided over the screw heads.

1. Pre-drilled hole
2. 2 attachment screws with washers



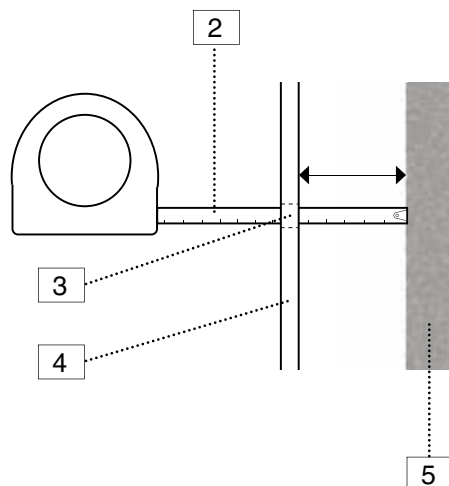
Mounting into custom cabinetry



Place the drying cabinet so that its front fits well into the cabinet mounting unit.

1. Keep the adhesive tape on the door until the drying cabinet is in place. Place the cabinet so that its front is properly aligned with the cabinetry facing.
2. Plug the connection cord into the socket and take care to be sure that the cord is not stuck and can easily be unplugged.
3. Take off the adhesive tape and open the door. Draw out the upper hanging section. Measure and note down the distance between the back wall of the drying cabinet and the wall behind the drying cabinet. See figure Measurement 'A'.
4. Mark the position of the holes on the back wall with a pencil.
5. Push back the hanging section, shut the door and hold it in place with adhesive tape. Pull out the entire drying cabinet.
6. Use a wooden strip of thickness "A", according to point 3, as a spacer. The wooden strip must:
 - a) be divided into two parts to allow free passage of air behind the drying cabinet. Their length should be ~150 mm
 - b) be at least 10 mm thick.

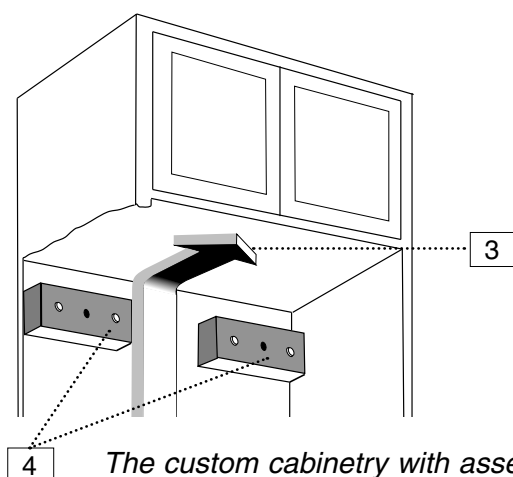
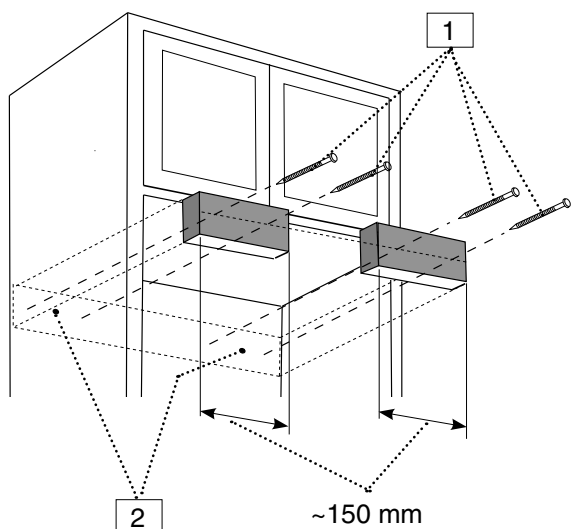
1. Minimum air gap 10 mm between drying cabinet and mounting unit (above and behind the drying cabinet)
2. Tape measure
3. Assembly holes
4. Drying cabinet back wall
5. Wall behind the drying cabinet



7. Fix the two parts of the wooden strip in place using two screws, each of them screwed into the wall behind the drying cabinet, so that they correspond with the holes marked as in point 4. Use screws of a suitable length.
8. Push back the drying cabinet into its final location. Take off the adhesive tape holding the door and check that the wooden strip is in place on the back wall of the drying cabinet. Also check that the front

part of the drying cabinet fits well into the custom cabinetry..

9. Adjust the position of the drying cabinet horizontally according to the instructions in the section "Horizontal adjustment" and screw the drying cabinet firmly down into place according to the instructions in the section "Mounting" on page 14.



4 The custom cabinetry with assembled wooden strip, divided into two parts, to allow free passage of air

1. Attachment screws
2. Hole marking
3. Air flow
4. Wooden strip (in two parts)

ATTENTION

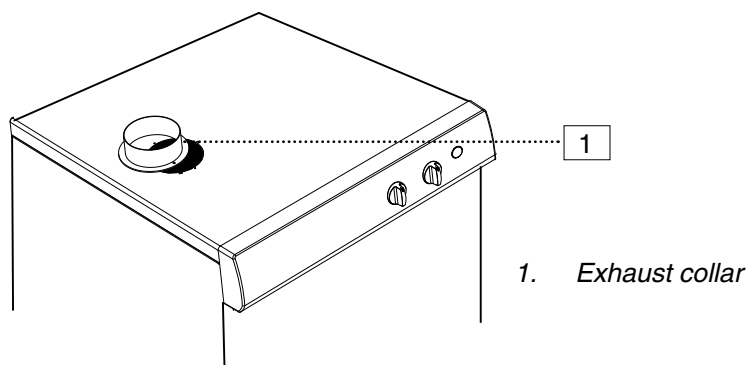
Check that the wooden strips are properly and firmly in place in the back wall and also that the assembly screws do not obstruct the assembly holes in the drying cabinet.

Ventilation connection

If the drying cabinet is installed in a custom cabinetry, fit the exhaust collar through the vent opening in the upper part of the cabinetry when the drying cabinet is moved to its final location.

The exhaust collar is designed to be screwed in place with two screws to the drying cabinet's top plate. There are predrilled holes in the exhaust collar and top plate.

1. Place the exhaust collar over the hole in the drying cabinet's top plate, align the screw holes and screw the exhaust collar into place.
2. Connect the vent pipe if the drying cabinet is built in, or press the supplied (*only certain markets*) flexible hose into place. See the section 'Ventilation requirements' on page 9.



Electrical connection

Consult the earlier section 'Electrical requirements', on page 8.

Final check

1. Check that all parts are mounted. If not - go through all the steps once more.
2. Check that no packing material is left lying around.
3. Use a mild washing up product with warm water and wash the drying cabinet inside and out. Dry it carefully. See also the section 'Care' further on in the manual.
4. Put the plug in.
5. Read the section 'How to use the drying cabinet' further on in the manual.
6. Put the temperature selector knob on 'Normal' position (full heat) and the time selector knob on approximately 20 minutes.

If the drying cabinet does not start, check the following:

- ***that the door of the drying cabinet is shut properly***
- ***that the temperature and time selector knobs are activated.***
- ***that the drying cabinet is connected to the mains electricity supply.***
- ***that the fuse is in working order***

7. When the drying cabinet has been on for 5 minutes, open the door and feel if it is giving out heat.

If the cabinet is not giving out any heat, even though the temperature selector knob is activated and the fan is functioning, turn the temperature selector knob back to zero and wait 30 minutes. Then try again by first putting the temperature selector knob on 'Normal' and then start the fan by turning on the time selector knob. See also the section 'Troubleshooting'.

How to use the drying cabinet

Starting

1. Place the articles to be dried in the drying cabinet and shut the door. See also the section "Loading".
2. Set an appropriate temperature and drying time. See the section 'Setting the temperature selector knob'.

Stopping

Open the door and turn the time switch back to '0'.

Setting pause and restart

Pause: Open the door

Restart: Shut the door.

If you have made a pause in the drying process, when it starts again, the drying cabinet carries on from the position it was at when the drying cycle was interrupted. If you want to completely stop the set drying cycle, the time switch is put back to '0'.

Loading

In the cabinet there are three sections with hangers. Every section has a number of rods on which to hang the items.

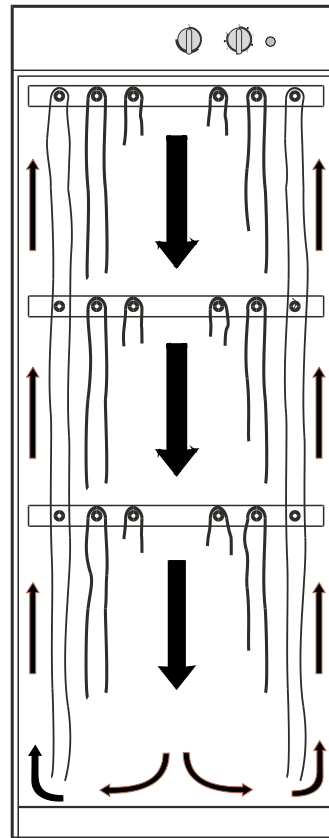
The optimised hanging system has extensible hangers. This system lightens the work for those who hang up the items and spares both their back and shoulders.

- Hang the articles in the drying cabinet according to how much room they take up - not according to their weight.
- For optimum efficiency - do not lay articles flat on the upper hanging section.
- Long clothes nearest to the walls of the cabinet and shorter ones towards the centre. By hanging the items in this way the most efficient drying results are attained.
- Turn up the two lower hanging sections if long clothes are to be dried.
- Hang gloves, caps, scarves and suchlike on the hanging bars on the inside of the door.
- Draw forward the upper hanging section hanger hooks in order to hang up the items more easily. Put it back when it is not being used.



- ❑ Do not overload the drying cabinet. The items will become creased and drying uneven. Instead, leave a certain distance between items of washing, if this is possible
- ❑ If there is a risk that certain articles give off their colour, free space should be left around them.
- ❑ Avoid drying thick clothes at the same time as lighter articles for they have completely different drying times.
- ❑ Remember not to hang knitted articles. These can be needlessly stretched when they are heavy with water.

When the drying cabinet is cold, it may happen that the sealing strip on the door does not close completely. However, this is fully compensated for when the cabinet is in operation since, with warmth, the sealing strip expands.



The figure shows the airflow inside the cabinet

Some advice for users

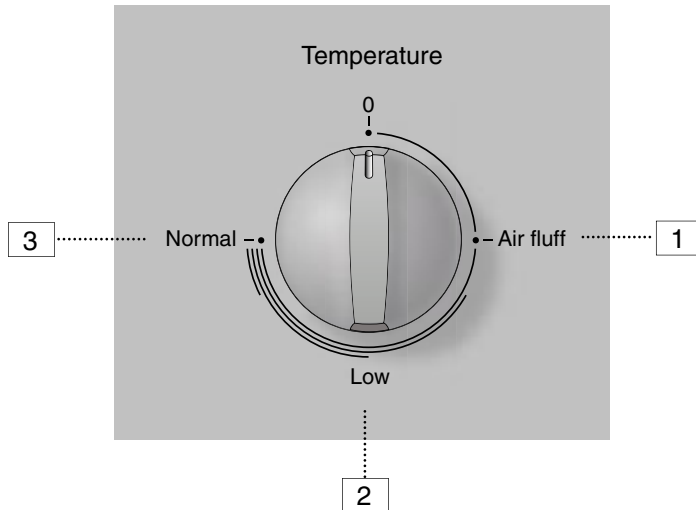
Setting the controls

- ❑ Set the temperature and the time selector knobs for the most delicate articles to be dried.
- ❑ The temperature is changed by means of the temperature selector knob which can be turned in both directions.

Drying

- ❑ Always follow the washing instructions on clothes if such instructions are available.
- ❑ If a softening agent or antistatic substance is used, the manufacturer's instructions concerning the utilisation of the product should be followed.
- ❑ Remove items from the drying cabinet as soon as they are dry. This reduces the drying time for the remaining damp garments.

Setting the temperature selector knob



Do not use any heat when drying articles of clothing filled with foam rubber or similar material.

The temperature selector knob regulates heat by means of a continuous scale of temperature positions from no heat at all till normal position with full heat.

Setting	Type of fabric	Temperature
1	Foam rubber products, plastic, clothes which are sensitive to heat	Fan only
2	Sportswear, underwear, shirts, blouses, silk garments, washable knitted products	Low
3	Sturdy working clothes, denim, cotton garments, training sweaters (cotton)	Normal

Care

Cleaning the drying cabinet

High-pressure cleaning should not be used!

- ❑ The walls of the cabinet should be cleaned with a mild soap solution on a damp cloth.
- ❑ Dust frequently gathers round the air intake orifice on the upper part of the cabinet. This can disturb the way the cabinet functions which can, in turn, lead to a breakdown.

To avoid this problem, the air intake orifice and the top of the cabinet should be vacuum-cleaned at least once a year or more often depending on the environment the cabinet is placed in.

When the drying cabinet is not in use

When the cabinet is not in use for a short or long time

Always pull out the electric plug.

When the cabinet must be moved

1. Pull out the electric plug.
2. Secure the door with strong adhesive tape.

Trouble Shooting

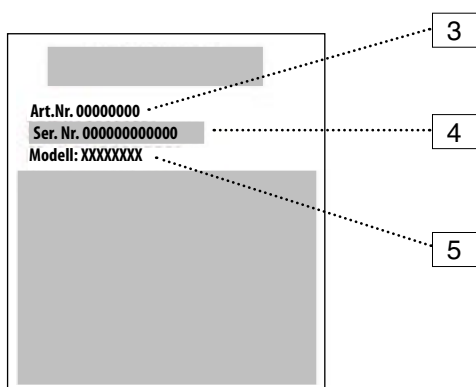
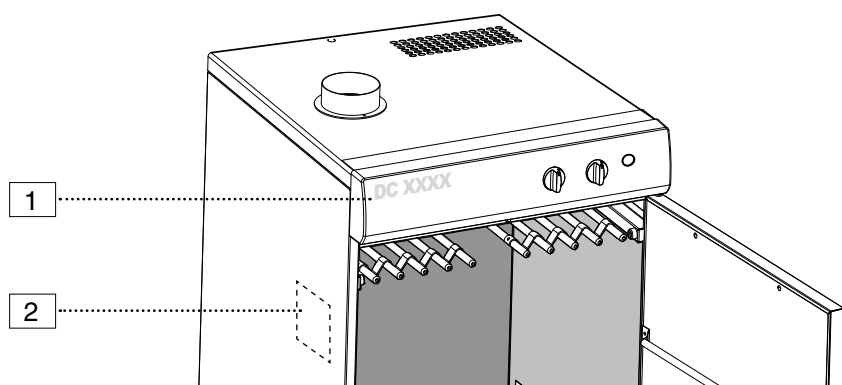
Before calling on outside help, first try to put the trouble right with the help of the indications below.

Trouble	Cause	What to do
Garments are not being dried as expected	<ul style="list-style-type: none"> <input type="checkbox"/> The fuses controlling the drying cabinet have tripped. <input type="checkbox"/> The temperature and/or time selector knobs have not been correctly set. <input type="checkbox"/> The drying cabinet has been used in a room where the temperature is lower than 0° C <input type="checkbox"/> Garments has been badly spun or is still very wet. <input type="checkbox"/> Has the items been hung in the right way? <input type="checkbox"/> Has the temperature selector knob been set too low? <input type="checkbox"/> Are the ventilation pipe/hose too long? 	<ul style="list-style-type: none"> <input type="checkbox"/> Check <input type="checkbox"/> Control the settings <input type="checkbox"/> To work normally, the drying cabinet must obligatorily be installed in a room where the temperature is above 0°C <input type="checkbox"/> Check what is hanging in the drying cabinet. <input type="checkbox"/> See the section "<i>Loading</i>". <input type="checkbox"/> Control the settings. <input type="checkbox"/> They should not be more than 1 metre long.
The drying cabinet is not giving out any heat even though the temperature selector knob is activated.	<ul style="list-style-type: none"> <input type="checkbox"/> Is it plugged in? <input type="checkbox"/> Is the fuse in working order? <input type="checkbox"/> Is the right fuse being used? <input type="checkbox"/> Is the door of the drying cabinet shut? <input type="checkbox"/> Has the time selector knob been set? <input type="checkbox"/> The temperature limiter has been tripped. <input type="checkbox"/> The temperature limiter is faulty 	<ul style="list-style-type: none"> <input type="checkbox"/> Check. <input type="checkbox"/> Check. <input type="checkbox"/> Change to a more resistant fuse. <input type="checkbox"/> Check. <input type="checkbox"/> Check. <input type="checkbox"/> Turn the time switch back to '0' and wait 30 minutes. Then try again by activating the temperature selector knob and, after that, start the fan by turning on the time switch. <input type="checkbox"/> Contact Customer Service.

Service

Before you contact customer service, you should find out the designation of the model, its type and its serial number.

The designation of the model is inscribed on the cabinet control panel. The type and the serial number are inscribed on the identification plate which is placed on the inside of the cabinet.



1. *Model*
2. *Identification plate (inside)*
3. *Article number*
4. *Serial number (12 figures)*
5. *Type*

Identification plate

Technical information

Technical characteristics

Capacity:	approximately 3.5 kg laundry (cotton)
Water removal rate :	17.5 grams per minute
Electricity connection:	Single phase 230 V, 50-60 Hz
Motor:	35 W
Heating element output:	1500 W
Overheating protection:	Yes
Timer:	Adjustable, up to 4 hours
Hanging length:	16 metres
Dimensions:	Height 1730 mm Adjustable between 1720 mm and 1745 mm. Width 595 mm. Depth 610 mm,
Weight:	~60 kg
Colour:	White, titanium or grey
Noise level:	maximum 58 dB (A)

Evacuation/Air intake

When the cabinet is on, 45 m³ of humid air are evacuated per hour.

Energy consumption and drying time

*Spun-dried washing *)*

Setting	Energy consumption	Drying time	Temperature
Position 2 (Low)	0.6 kWh/kg washing	approx. 180 minutes	45 °C
Position 3 (Normal)	0.7 kWh/kg washing	approx. 120 minutes	65 °C

**) Given values may vary depending on the rotation speed during spin-drying*

Manufacturing standards

See the identification plate

Air gap left during mounting

Minimum 10 mm between drying cabinet and custom cabinetry (above and behind the drying cabinet).

Personal notes

Art. Nr: 427000391 Rev. 01

We reserve the right to make alterations.



Printed on environment friendly paper, complying with the requirements of Miljöförbundet (Swedish Environmental Organisation) and Naturskyddsföreningens (Swedish Association for nature conservancy).

Free Manuals Download Website

<http://myh66.com>

<http://usermanuals.us>

<http://www.somanuals.com>

<http://www.4manuals.cc>

<http://www.manual-lib.com>

<http://www.404manual.com>

<http://www.luxmanual.com>

<http://aubethermostatmanual.com>

Golf course search by state

<http://golfingnear.com>

Email search by domain

<http://emailbydomain.com>

Auto manuals search

<http://auto.somanuals.com>

TV manuals search

<http://tv.somanuals.com>