



**THE BEST WARRANTY
IN THE BUSINESS —
5 YEARS ON ALL PARTS.**

OUR FASTEST-SELLING WASHER

Maytag® Commercial Neptune® high-efficiency washers use less water and energy than conventional washers, cutting your utility costs. High-speed extraction helps dryers keep pace with washers.

COMPUTER TRAC® CONTROLS

Maytag® Computer Trac® controls are easy to program and provide simple one-touch cycle selection.



FOR YOUR OPERATION:

- Up To 32% Greater Capacity Than Conventional Washers
- High-Speed Extraction Cuts Drying Time
- Automatic Load-Balancing System
- Simple One-Touch Cycle Selection
- Display Counts Down Time Remaining In Cycle
- Extra-Large Door Opens 180°
- Reversible Door
- Simple Soft-Mount Design
- Optional Liquid Chemical Supply System
- Meets ADA Accessibility Guidelines

BUILT-TO-LAST™ FEATURES:

- Built-In Anti-Vibration Mechanism
- Porcelain-Enamel Top
- Precision Endurance Drive
- Controlled Induction Motor

MAYTAG® COMMERCIAL NEPTUNE® HIGH-EFFICIENCY WASHER

MAH21PN



**SAVE UP TO
50% OR MORE
EVERY YEAR* ON ENERGY,
WATER AND SEWER COSTS.**

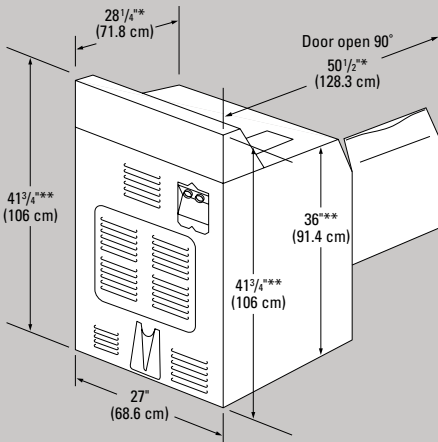
*Based on testing with a 10-pound AHAM load with 30% hot-, 55% warm- and 15% cold-water wash at five turns per day and 365 days per year. Water, gas and sewer costs based on 2000 average U.S. national rates. Individual savings may vary.

LAUNDRY SOLUTIONS YOU CAN *DEPEND* ON.

Download from www.Somanuals.com. All Manuals Search And Download.

CLP648

Neptune® High-Efficiency Washer — MICROPROCESSOR CONTROL



* Includes hinge on back of washer.

** Dimensions will vary according to adjustment of leveling legs; add 2" (5.1 cm) minimum.



5 YEARS* — ALL PARTS

For a period from the date of original purchase through the time listed above, the designated parts that fail in normal commercial use will be repaired or replaced free of charge for the part itself, with the owner paying all other costs, including labor, transportation and customs duty. Chemical damage is excluded from all warranty coverage. See complete warranty for details.

* This limited-time Maytag® Extra-Protection 5-Year Warranty offer is available through December 31, 2004.



| Neptune® High-Efficiency Washer | |
|---|------------------------|
| WASHER SPECIFICATIONS | |
| MODEL | MAH21PN |
| MOTOR | |
| Variable-speed, reversible, thermoprotected, high-efficiency, controlled induction | • |
| Wash — HP (kw) | 1/4 (.19) |
| Extract — HP (kw) | 1/2 (.37) |
| APPROXIMATE WATER USAGE — gal. (liters) | |
| Factory preset hot cycle average, hot water | 5 1/2 (18.9) |
| Factory preset warm cycle average, hot water | 2 (9.5) |
| Factory preset average, overall | 15 (56.7) [†] |
| ELECTRICAL RATING | |
| 120V, 60 Hz | • |
| Export models — 220 – 240V, 50 Hz | • |
| FUSE REQUIREMENTS | |
| Amps | 15 |
| Export amps | 10 |
| CYLINDER | |
| Volume — cu. ft. (liters) | 2.9 (82.1) |
| Diameter — in. (cm) | 21 1/2 (54.6) |
| Depth — in. (cm) | 16 (40.6) |
| DOOR OPENING | |
| In. (cm) | 15 1/2 (39.4) |
| WASH SPEED | |
| Maximum rpm | 47 – 51 |
| EXTRACT SPEED | |
| Maximum rpm | 1,000 |
| Maximum g-force | 307 |
| OPERATING PRESSURE | |
| Psi (bar) | 15 – 120 (1 – 8) |
| INLET HOSE | |
| Ft. (m) | 4 (1.22) |
| DRAIN HOSE | |
| In. (cm) | 42 (109.7) |
| ADJUSTABLE LEVELING LEGS | |
| | • |
| COLOR | |
| White | • |
| APPROXIMATE WEIGHT | |
| Crated — lbs. (kg) | 225 (102) |
| Uncrated — lbs. (kg) | 195 (88) |
| [†] Average based on testing with an 8-pound AHAM load. If optional additional rinse is used, add 5 gallons; not dependent on incoming pressure or time. | |
| See specific instructions for proper installation. Because of continuous product improvement, Maytag reserves the right to change specifications without notice. | |



NEW YORK CITY
M.E.A.



Free Manuals Download Website

<http://myh66.com>

<http://usermanuals.us>

<http://www.somanuals.com>

<http://www.4manuals.cc>

<http://www.manual-lib.com>

<http://www.404manual.com>

<http://www.luxmanual.com>

<http://aubethermostatmanual.com>

Golf course search by state

<http://golfingnear.com>

Email search by domain

<http://emailbydomain.com>

Auto manuals search

<http://auto.somanuals.com>

TV manuals search

<http://tv.somanuals.com>