

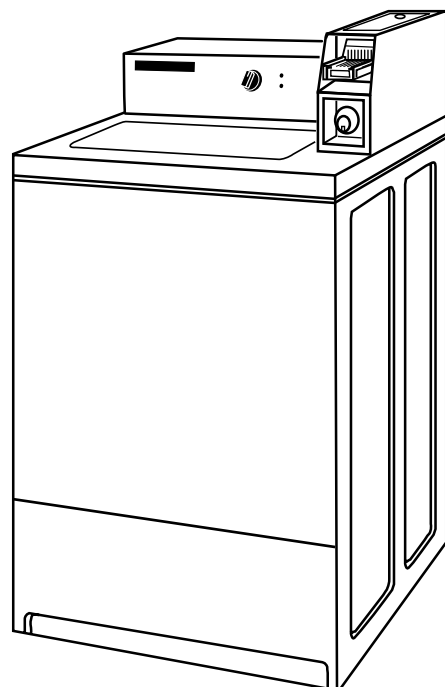
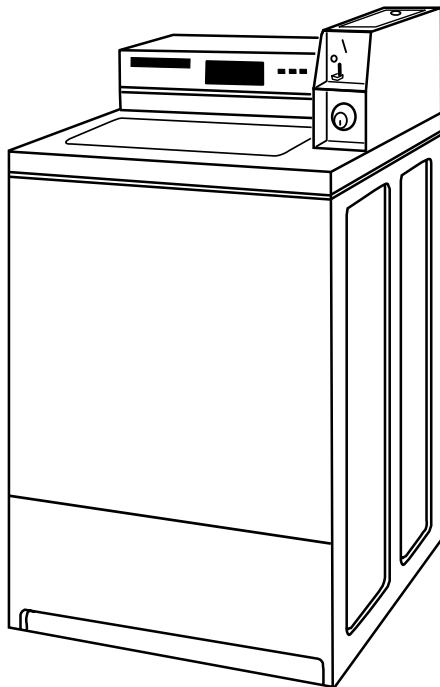


INSTALLATION INSTRUCTIONS COMMERCIAL WASHER

120-volt, 60-Hz Models

INSTRUCTIONS D'INSTALLATION DE LA LAVEUSE COMMERCIALE

Modèles 120 V, 60 Hz



Write down the model and serial numbers before installing washer.
Both numbers are listed on the model/serial rating plate located
under the lid.

Model # _____

Serial # _____

Date of Purchase _____

Prendre note des numéros de modèle et de série avant d'installer
la laveuse.

Les deux numéros sont indiqués sur la plaque signalétique sous
le couvercle.

Numéro de modèle _____

Numéro de série _____

Date d'achat _____

W10135312B

www.maytagcommerciallaundry.com

Table of Contents

WASHER SAFETY	2
INSTALLATION REQUIREMENTS	3
Tools and Parts	3
Location Requirements.....	3
Drain System.....	4
Electrical Requirements	5
INSTALLATION INSTRUCTIONS	6
Remove Shipping Strap	6
Connect the Hoses.....	6
Level the Washer	7
Complete Installation	8
ELECTRONIC CONTROLS SETUP	10
WARRANTY	14

Table des matières

SÉCURITÉ DE LA LAVEUSE	15
EXIGENCES D'INSTALLATION	16
Outillage et pièces	16
Exigences d'emplacement	16
Système de vidange	17
Spécifications électriques.....	18
INSTRUCTIONS D'INSTALLATION	19
Enlever la sangle d'expédition	19
Raccordement des tuyaux	19
Réglage de l'aplomb de la laveuse	20
Achever l'installation	21
RÉGLAGE DE LA COMMANDE ÉLECTRONIQUE	23
GARANTIE	27

WASHER SAFETY

Your safety and the safety of others are very important.

We have provided many important safety messages in this manual and on your appliance. Always read and obey all safety messages.



This is the safety alert symbol.

This symbol alerts you to potential hazards that can kill or hurt you and others.

All safety messages will follow the safety alert symbol and either the word "DANGER" or "WARNING."

These words mean:

⚠ DANGER

You can be killed or seriously injured if you don't immediately follow instructions.

⚠ WARNING

You can be killed or seriously injured if you don't follow instructions.

All safety messages will tell you what the potential hazard is, tell you how to reduce the chance of injury, and tell you what can happen if the instructions are not followed.

IMPORTANT SAFETY INSTRUCTIONS

WARNING: To reduce the risk of fire, electric shock, or injury to persons when using the washer, follow basic precautions, including the following:

- Read all instructions before using the washer.
- Do not wash articles that have been previously cleaned in, washed in, soaked in, or spotted with gasoline, dry-cleaning solvents, other flammable, or explosive substances as they give off vapors that could ignite or explode.
- Do not add gasoline, dry-cleaning solvents, or other flammable, or explosive substances to the wash water. These substances give off vapors that could ignite or explode.
- Under certain conditions, hydrogen gas may be produced in a hot water system that has not been used for 2 weeks or more. **HYDROGEN GAS IS EXPLOSIVE.** If the hot water system has not been used for such a period, before using the washing machine, turn on all hot water faucets and let the water flow from each for several minutes. This will release any accumulated hydrogen gas. As the gas is flammable, do not smoke or use an open flame during this time.
- Do not allow children to play on or in the washer. Close supervision of children is necessary when the washer is used near children.
- Before the washer is removed from service or discarded, remove the door or lid.
- Do not reach into the washer if the drum, tub or agitator is moving.
- Do not install or store the washer where it will be exposed to the weather.
- Do not tamper with controls.
- Do not repair or replace any part of the washer or attempt any servicing unless specifically recommended in this manual or in published user-repair instructions that you understand and have the skills to carry out.
- See "Electrical Requirements" for grounding instructions.

SAVE THESE INSTRUCTIONS

INSTALLATION REQUIREMENTS

Tools and Parts

Gather the required tools and parts before starting installation.

Tools needed

- Level
- Utility knife
- Scissors
- 8" or 10" adjustable wrench
- Flat-blade screwdriver
- Pliers
- Bucket

Parts supplied

Remove parts bag from washer. Check that all parts were included.

- 1 hose clamp
- 2 inlet hoses
- 4 flat water hose washers
- 2 front-leveling legs with nuts
- 1 drain hose

Location Requirements

IMPORTANT : Do not install or store the washer where it will be exposed to the weather. Do not store or operate the washer in temperatures at or below 32°F (0°C). Some water can remain in the washer and can cause damage in low temperatures.

Proper installation is your responsibility.

You will need:

- A water heater set to deliver 120°F (49°C) water to the washer.
- A grounded electrical outlet located within 4 ft (1.2 m) of where the power cord is attached to the back of the washer. See "Electrical Requirements."
- Hot and cold water faucets located within 4 ft (1.2 m) of the back of the washer, and provide water pressure of 10-100 psi (69-690 kPa). A pressure reduction valve should be used in the supply line where inlet pressure entering the building exceeds 100 psi (690 kPa) to prevent damage to the washer mixing valve.
- A level floor with a maximum slope of 1" (25 mm) under entire washer.
- A sturdy floor to support the washer weight (washer, water, and load) of 315 lbs (143 kgs).
- A 12" (300 mm) minimum riser to provide an air cushion and prevent noise and damage to valves for a single washer installation.
- A floor drain should be provided under the bulkhead. Prefabricated bulkheads with electrical outlets, water supply lines and drain facilities should be used only where local codes permit.

NOTE: Front access to the pump area is available by removing 2 No. T20 TORX^{®†} security screws and then removing the front panel.

† @TORX is a registered trademark of Acument Intellectual Properties, LLC.

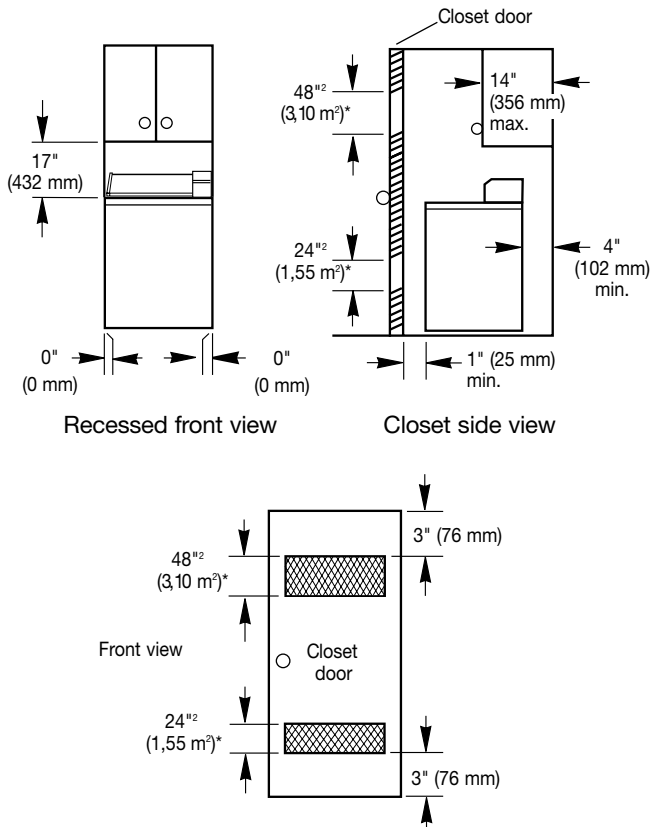
Recessed Area and Closet Installation Instructions

This washer may be installed in a recessed area or closet.

The installation spacing shown is in inches and is the minimum allowable. Additional spacing should be considered for ease of installation, servicing, and compliance with local codes and ordinances.

If closet door is installed, the minimum unobstructed air openings in the top and bottom are required. Louvered doors with equivalent air openings are acceptable.

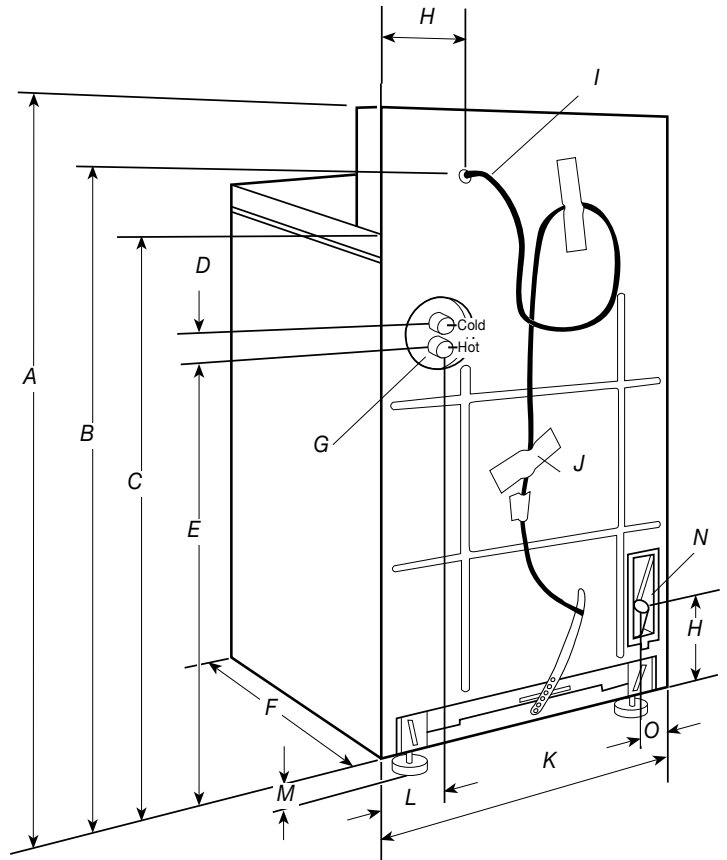
Minimum Installation Clearances



*Opening is the minimum for a closet door.
Louvered doors with equivalent air openings are acceptable.

- Additional spacing should be considered for the ease of installation and servicing.
- Additional clearances may be required for wall, door, and floor moldings.
- Additional spacing of 1" (25 mm) on all sides of the washer is recommended to reduce noise transfer.
- Companion spacing should also be considered.

Product Dimensions



- A. 43" (1090 mm)
- B. 38¹/₈" (970 mm)
- C. 35" (890 mm)
- D. 1¹/₂" (38 mm)
- E. 27¹/₄" (705 mm)
- F. 25¹/₂" (650 mm)
- G. Water inlets
- H. 7" (180 mm)
- I. Power supply cord
- J. Drain hose connector
- K. Label
- L. 27" (685 mm)
- M. 5¹/₄" (133 mm)
- N. 1" (25 mm)
- O. 5" (127 mm)

Drain System

Standpipe Drain System

The standpipe drain requires a minimum diameter standpipe of 2" (50 mm). The minimum carry-away capacity can be no less than 17 gal. (64 L) per minute.

The top of the standpipe must be at least 39" (990 mm) high and no higher than 72" (1.8 m) from the bottom of the washer.

Electrical Requirements

⚠ WARNING



Electrical Shock Hazard

Plug into a grounded 3 prong outlet.

Do not remove ground prong.

Do not use an adapter.

Do not use an extension cord.

Failure to follow these instructions can result in death, fire, or electrical shock.

IMPORTANT : The washer must be electrically grounded in accordance with local codes and ordinances or, in the absence of local codes, with the National Electrical Code, ANSI/NFPA 70, latest edition.

- If codes permit and a separate ground wire is used, it is recommended that a qualified electrical installer determine that the ground path is adequate.
- Do not ground to a gas pipe.
- Do not have a fuse in the neutral or ground circuit.
A copy of the above code standards can be obtained from:
National Fire Protection Association
One Batterymarch Park, Quincy, MA 02269
- A 120 volt, 60 Hz, AC only, 15- or 20-amp, fused electrical circuit is required. A time-delay fuse or circuit breaker is recommended. It is recommended that a separate circuit serving only this washer be provided.
- The washer is equipped with a power supply cord having a 3 prong grounding plug.
- To minimize possible shock hazard, the cord must be plugged into a mating, 3 prong, grounding-type outlet, grounded in accordance with local codes and ordinances. If a mating outlet is not available, it is the personal responsibility and obligation of the customer to have the properly grounded outlet installed by a qualified electrician.

Recommended Ground Method

The washer, when installed, must be electrically grounded in accordance with local codes, or in the absence of local codes, with the National Electrical Code, ANSI/NFPA 70, latest edition, and all local codes and ordinances.

GROUNDING INSTRUCTIONS

For a grounded, cord-connected washer:

This washer must be grounded. In the event of a malfunction or breakdown, grounding will reduce the risk of electrical shock by providing a path of least resistance for electric current. This washer is equipped with a cord having an equipment-grounding conductor and a grounding plug. The plug must be plugged into an appropriate outlet that is properly installed and grounded in accordance with all local codes and ordinances.

WARNING: Improper connection of the equipment-grounding conductor can result in a risk of electric shock. Check with a qualified electrician or serviceman if you are in doubt as to whether the appliance is properly grounded.

Do not modify the plug provided with the appliance – if it will not fit the outlet, have a proper outlet installed by a qualified electrician.

For a permanently connected washer:

This washer must be connected to a grounded metal, permanent wiring system, or an equipment grounding conductor must be run with the circuit conductors and connected to the equipment-grounding terminal or lead on the appliance.

INSTALLATION INSTRUCTIONS

⚠ WARNING

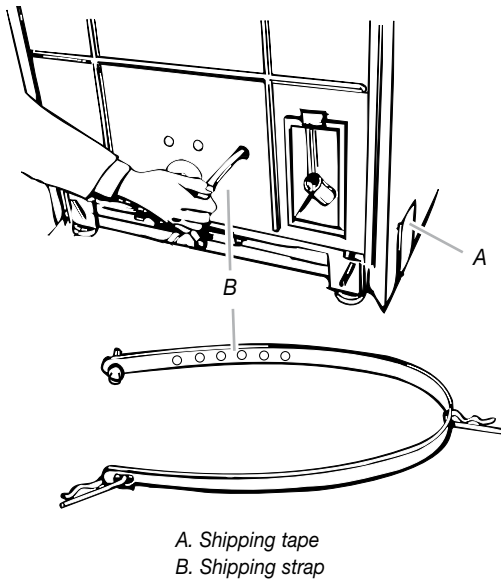
Excessive Weight Hazard

Use two or more people to move and install washer.

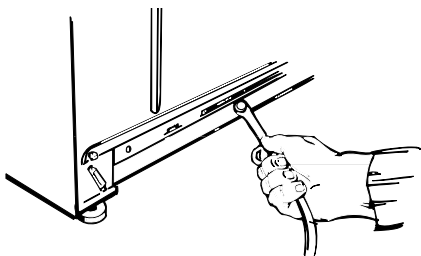
Failure to do so can result in back or other injury.

Remove Shipping Strap

1. Remove tape that covers shipping strap. Pull to completely remove the shipping strap with 2 cotter pins from the inside of the washer.



2. Pull firmly to remove the end of shipping strap from the back of the washer. The shipping strap plug must be completely removed from the washer for the self-leveling legs to be released.



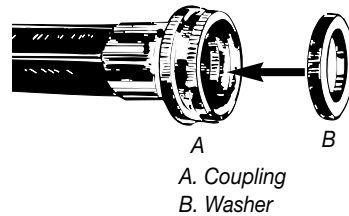
Save the shipping strap for later use.

Connect the Hoses

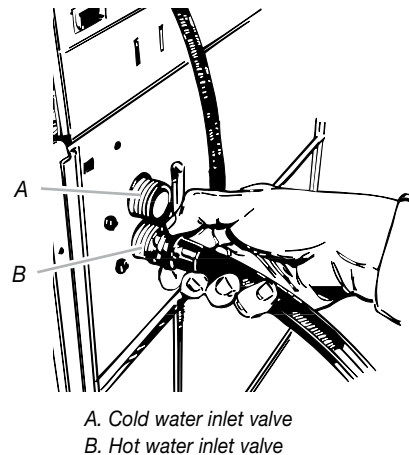
Proper connection of the drain hose avoids damage to your floor due to water leakage. Read and follow these instructions.

Connect the inlet hoses to the washer

1. The washer must be connected to the water faucets using the new inlet hoses. Do not use old hoses. Insert new flat washers (supplied) into each end of the inlet hoses. Firmly seat the washers in the couplings.



2. Attach hose to bottom inlet valve opening first.



3. Attach second hose to top inlet. Tighten couplings by hand; then use pliers to make an additional two-thirds turn.

NOTE: Inlet valve threads are plastic. Do not strip or cross-thread.

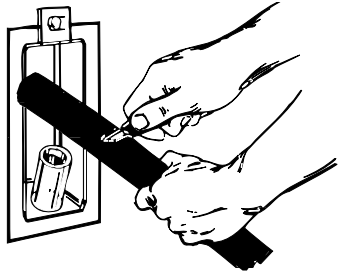
Connect the drain hose

NOTE: Slide washer onto cardboard or hardboard before moving across floor.

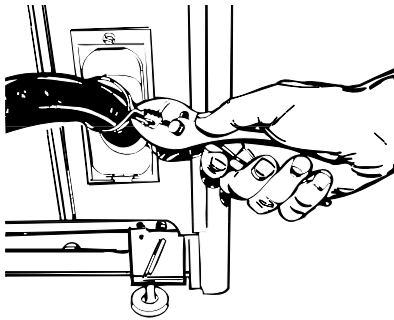
1. Move washer close to final position.
2. Put "hook" end of drain hose into laundry tub or standpipe.
3. Estimate the length of drain hose needed when washer is in final position. Hose must be cut exactly to length so "hook" end is held tightly over edge of standpipe.

If drain hose is too long, cut straight end of hose. (Do not cut the "hook" shaped end of the drain hose.)

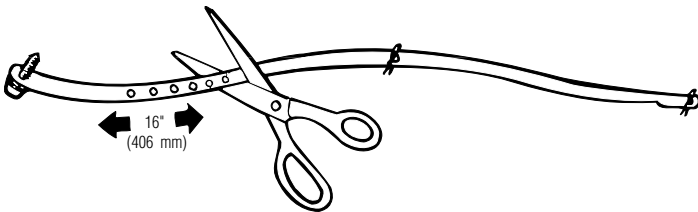
NOTE: Do not force excess length of drain hose down the standpipe. This could cause siphoning.



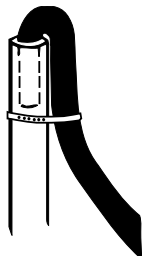
4. Place the hose clamp over the washer drain connector. Push the drain hose onto the washer connector. Use pliers to open clamp and slide clamp over drain hose. Check for good fit.



5. Measure and mark a point approximately 16" (406 mm) from the plug end of the shipping strap. Cut the shipping strap at this point.



6. Check that hose is not twisted or kinked and is securely in place.
7. Put "hook" end of drain hose into standpipe. Tightly wrap the shipping strap around the standpipe. Push plug into the nearest hole in the shipping strap.



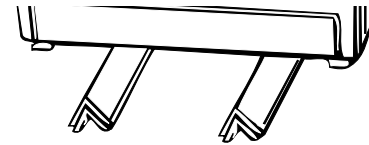
Connect the inlet hoses to the water faucets

1. Before attaching water inlet hoses, run water through both faucets into a bucket. This will get rid of particles in the water lines that might clog hoses. Mark which is the hot water faucet.
2. Attach bottom hose (inlet marked "H") to hot water faucet. Tighten coupling to faucet by hand.
3. Attach top hose (inlet marked "C") to cold water faucet. Tighten coupling to faucet by hand.
4. Use pliers to make an additional two-thirds turn to each coupling.

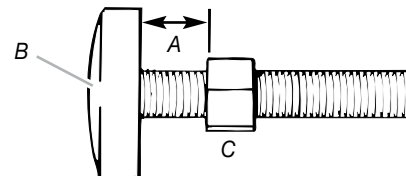
Level the Washer

Install the front leveling feet

1. Stack two corner posts on top of each other. Tilt washer backward and insert corner posts 3" (76 mm) in from one side of washer, as shown. Repeat with other corner posts on other side of washer.

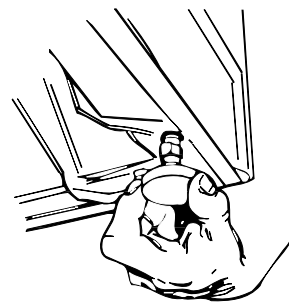


2. Use the leveling legs and nuts from the parts package. Screw nut down to within 1/2" (13 mm) of base.



A. 1/2" (13 mm)
B. Base
C. Nut

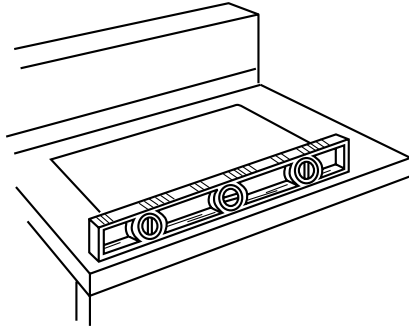
3. Insert legs into correct holes at each front corner of washer until nuts touch washer. Do not tighten nuts until the washer is leveled.



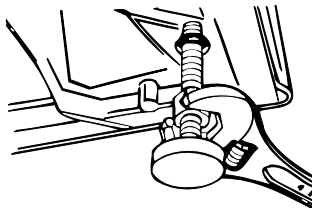
4. Tilt washer backward and remove corner posts. Gently lower washer to floor.
5. Move washer to its permanent location. Remove cardboard or hardboard from under washer.

Level the washer

1. Tilt washer forward raising back legs 1" (25 mm) off of floor, to adjust rear self-leveling legs. Gently lower washer to floor.
2. Check levelness of the washer by placing a carpenter's level on top of the washer, first side to side; then front to back.



3. If washer is not level, adjust the front legs up or down. Make final check with level.
4. When washer is level, use a wrench to turn the nuts on front legs up tightly against the washer base. If nuts are not tight against washer base, the washer may vibrate.



Complete Installation

1. Check the electrical requirements. Be sure that you have the correct electrical supply and the recommended grounding method.
2. Check to be sure all parts are now installed. If there is an extra part, go back through the steps to see which step was skipped.
3. Turn on water faucets and check for leaks. Tighten couplings if there is leaking. Do not overtighten; this could cause damage to faucets.
4. Check to be sure you have all of your tools.
5. Check that the shipping strap was removed from the back of the washer and used to secure the drain hose. If entire strap is not removed, washer may vibrate and be noisy.

⚠ WARNING



Electrical Shock Hazard

Plug into a grounded 3 prong outlet.

Do not remove ground prong.

Do not use an adapter.

Do not use an extension cord.

Failure to follow these instructions can result in death, fire, or electrical shock.

6. Plug power supply cord into a grounded 3 prong outlet.

NOTE: On some models, during factory testing, the timer is advanced partially into the cycle causing the start button to be depressed. Allow timer to advance to the end of the cycle. When the cycle is complete, the timer will reset and the start button will return to the start position. If the timer is not allowed to advance to the end of the first cycle and reset, the wash load will not be completed.

⚠ WARNING



Electrical Shock Hazard

- Disconnect power before servicing.
- Replace all parts and panels before operating.
- Failure to do so can result in death or electrical shock.

Checklist for washer operation:

Check the following if the washer is not operating properly:

1. Power supply cord is plugged in.
2. Circuit breaker is not tripped or fuse is not blown.
3. Timer has been advanced to start of a cycle.
4. Water faucets are turned on.
5. Inlet and drain hoses are not kinked.
6. Washer lid is closed.
7. Inlet valve is not frozen if not protected from the weather.
8. Suds level. Excess suds will slow the spin and cause poor rinsing. Operate the washer through a complete cycle with no detergent. Use less detergent or a controlled suds type detergent in future loads.

If you need assistance:

Contact your authorized Maytag® Commercial Laundry distributor. To locate your authorized Maytag® Commercial Laundry distributor, or for web inquiries, visit www.MaytagCommercialLaundry.com.

If you cannot locate your distributor, the Commercial Laundry Support Center will answer any questions about operating or maintaining your washer not covered in the Installation Instructions.

Just dial 1-800 NO BELTS (1-800-662-3587)—the call is free.

When you call, you will need the washer model number and serial number. Both numbers can be found on the serial-rating plate located on your appliance.

Operating Tips

⚠ WARNING



Fire Hazard

Never place items in the washer that are dampened with gasoline or other flammable fluids.

No washer can completely remove oil.

Do not dry anything that has ever had any type of oil on it (including cooking oils).

Doing so can result in death, explosion, or fire.

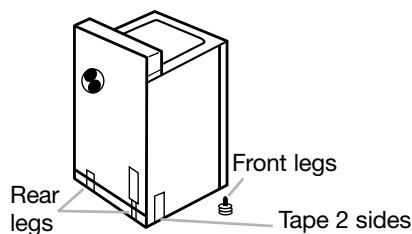
It is recommended that fiberglass items not be washed in coin-operated washers. If these items are washed in the washer, run the washer through a complete cycle to rinse any residue away that might be left in the washer.

Typical full load sizes

Load Type	Loading Suggestion	Load Type	Loading Suggestion
Mixed Load	3 double sheets 4 pillowcases 6 pair shorts 8 T-shirts 2 shirts 2 blouses 8 handkerchiefs	Heavy Work Clothes	3 pair pants 3 shirts 1 coverall 4 pair jeans 1 overall
Permanent Press	2 double or 1 king size sheet 1 tablecloth 1 dress 1 blouse 2 slacks 3 shirts 2 pillowcases	Knits	3 blouses 4 slacks 6 shirts 4 tops 4 dresses

Moving the Washer to a New Location

- Remove the front legs from the base of the washer.
- Place both rear leveling legs in the upper position and tape securely.
- Apply tape to the side and bottom of the cabinet near the rear.
- Open washer lid, wedge a blanket between the tub ring and the cabinet top restricting the tub movement.



- Handle washer gently. Do not drop washer while using hand truck.

ELECTRONIC CONTROLS SETUP

BASIC OPERATION OF COMMERCIAL WASHER

- For additional information, see www.MaytagCommercialLaundry.com.
- This tech sheet is not valid for models prior to series MAT14.

⚠ WARNING



Electrical Shock Hazard
Disconnect power before servicing.
Replace all parts and panels before operating.
Failure to do so can result in death or electrical shock.

IMPORTANT

Electrostatic Discharge (ESD) Sensitive Electronics

ESD problems are present everywhere. ESD may damage or weaken the electronic control assembly. The new control assembly may appear to work well after repair is finished, but failure may occur at a later date due to ESD stress.

- Use an anti-static wrist strap. Connect wrist strap to green ground connection point or unpainted metal in the washer.

-OR-

Touch your finger repeatedly to a green ground connection point or unpainted metal in the washer.

- Before removing the part from its package, touch the anti-static bag to a green ground connection point or unpainted metal in the washer.
- Avoid touching electronic parts or terminal contacts; handle electronic control assembly by edges only.
- When repackaging failed electronic control assembly in anti-static bag, observe above instructions.

GENERAL USER INFORMATION

Blank Display

This condition indicates the washer is inoperative. Enter set-up mode to view diagnostic code.

'0 Minutes' showing in display

This condition indicates the washer cannot be operated. Coins dropped or debit inputs during this condition will be stored in escrow but cannot be used until normal operation is restored by opening and closing the door. If a door switch fails, it must be replaced before normal operation can be restored.

Cold Start (initial first use)

Washer is programmed at the factory as follows:

- 11 minute wash period
- 1 rinses and 2 minutes of rinse agitation
- \$1.75 wash price (PD models)
- \$0.00 wash price (PR models)

Warm Start (after power failure)

After a delay of up to 8 seconds, the washer is restored to the state that existed at time of the power failure.

Free Cycles

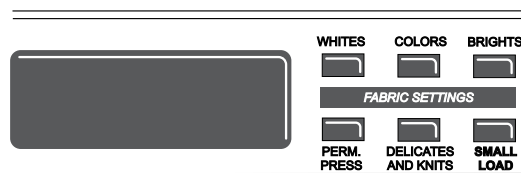
This is established by setting the cycle price to zero. When this happens, 'SELECT CYCLE' will appear rather than a cycle price.

Debit Card Ready

This washer is debit card 'cable' ready. It will accept a variety of debit card systems, but does NOT come with a debit card reader. Refer to the debit card reader manufacturer for proper washer set-up. In models converted to a Generation 1 debit card system, debit pulses represent the equivalent of one coin (coin 1).

Display

After the washer has been installed and plugged in, the display will show '0 MINUTES'. Once the washer has been plugged in and the washer door opened and closed, the display will show the price. In washers set for free cycles, the display will flash 'SELECT CYCLE'.



CONTROL SET-UP PROCEDURES

IMPORTANT: Read all instructions before operating.

The lower fabric setting key pads and the digital display are used to set up the controls. The display can contain 4 numbers and/or letters and a decimal point. These are used to indicate the set-up codes and related code values available for use in programming the washer.

How to use the key pads to program the controls

1. The LOWER LEFT key pad is used to adjust the values associated with set-up codes. Pressing the key pad will increment the value.
Rapid adjustment is possible by holding the key pad down.
2. The LOWER MIDDLE key pad will advance you through the set-up codes. Pressing the key pad will advance you to the next available set-up code. Holding the key pad down will automatically advance through the set-up codes at a rate of one (1) per second.
3. The LOWER RIGHT key pad is used to select or deselect options.

Start Operating Set-Up

- PD Models: Insert access door key, turn, and lift to remove access door.
- PR Models: Once the debit card reader is installed (according to the reader manufacturer's instructions), the set-up mode can be entered by inserting a set-up card (supplied by the reader manufacturer) into the card slot. If a manual set-up card is not available, manual set-up mode can be entered by removing connector AA1 on the circuit board.

IMPORTANT: The console must not be opened unless power is first removed from the washer. To access connector AA1:

- Unplug washer or disconnect power.
- Open console, disconnect plug on AA1, close console.
- Plug in washer or reconnect power.

The washer is now in the set-up mode.

Before proceeding, it is worth noting that, despite all of the options available, an owner can simply choose to uncrate a new commercial washer, hook it up, plug it in, and have a unit that operates.

SET-UP CODES

- The LOWER MIDDLE key pad will advance from code to code.
- The LOWER LEFT key pad will change the code value.
- The LOWER RIGHT key pad will select or deselect options.

FOR PR MODELS: The set-up codes are the same as for the 'PD' models except where noted.

The set-up code is indicated by the one or two left-hand characters. The set-up code value is indicated by the two or three right-hand characters.

CODE	EXPLANATION
<u>6</u> <u>0</u> <u>7</u>	REGULAR CYCLE PRICE
<u>6</u> <u>0</u> <u>7</u>	Represents the number of quarters (coin 1); may adjust from 0-39. (See VALUE OF COIN 1.) Advance from 0-39 by pressing the LOWER LEFT key pad. Factory preset for 7 quarters = \$1.75. PR MODELS ONLY: Factory preset for 0 quarters.
→ Press the LOWER MIDDLE key pad once to advance to next code.	

CODE	EXPLANATION
<u>7</u> <u>1</u> <u>1</u>	WASH LENGTH
<u>7</u> <u>1</u> <u>1</u>	This is the number of minutes for WASH. Choose from 8-20 minutes by pressing the LOWER LEFT key pad. → Press the LOWER MIDDLE key pad once to advance to next code.
<u>8</u> <u>2</u> <u>1</u>	RINSE CYCLES
<u>8</u> <u>2</u> <u>1</u>	This is the length and total number of rinses. Each rinse agitation is 1-4 minutes, with a choice of 1 or 2 rinses. The middle digit is the length of rinse agitation and the right digit is the number of rinses. The number is changed in the following sequence (11, 21, 31, 41, 12, 22, 32, 42) by pressing the LOWER LEFT key pad. Press the LOWER MIDDLE key pad once to advance to next code. The DELICATES & KNITS cycle has a fixed rinse agitation length of one minute. → Press the LOWER MIDDLE key pad once to advance to next code.
<u>9</u> <u>0</u> <u>0</u>	CYCLE COUNTER OPTION
<u>9</u> <u>0</u> <u>0</u>	This option is either SELECTED 'ON' or NOT SELECTED 'OFF'.
<u>9</u> <u>0</u> <u>0</u>	Not Selected 'OFF'.
<u>9</u> <u>0</u> <u>0</u>	Selected 'ON' and not able to be deselected. Press the LOWER RIGHT key pad 3 consecutive times to select 'ON'. Once selected 'ON' it cannot be deselected. → Press the LOWER MIDDLE key pad once to advance to next code.
<u>1</u> <u>0</u> <u>0</u>	MONEY COUNTER OPTION
<u>1</u> <u>0</u> <u>0</u>	This option is either SELECTED 'ON' or NOT SELECTED 'OFF'.
<u>1</u> <u>0</u> <u>0</u>	Not Selected 'OFF'.
<u>1</u> <u>0</u> <u>0</u>	Selected 'ON'. Press the LOWER RIGHT key pad 3 consecutive times to select 'ON' and 3 consecutive times to remove (Not Selected 'OFF'.) Counter resets by going from 'OFF' to 'ON'.
<u>1</u> <u>0</u> <u>0</u>	Selected 'ON' and not able to be deselected. To select 'ON' and not able to be deselected, first select 'ON', then within two seconds press the LOWER RIGHT key pad twice, the LOWER LEFT key pad once, and exit the set-up mode. → Press the LOWER MIDDLE key pad once to advance to next code.
<u>2</u> <u>0</u> <u>0</u>	SPECIAL PRICING OPTION
<u>2</u> <u>0</u> <u>0</u>	This option is either SELECTED 'ON' or NOT SELECTED 'OFF'.
<u>2</u> <u>0</u> <u>0</u>	Not Selected 'OFF'.
<u>2</u> <u>5</u> <u>P</u>	Selected 'ON'. Press the LOWER RIGHT key pad once for this selection.
If SPECIAL PRICING OPTION is selected, you have access to codes '3' through '9'.	
→ Press the LOWER MIDDLE key pad once to advance to next code.	
OPTIONS TO USE IF SPECIAL PRICING IS SELECTED:	
<u>3</u> <u>0</u> <u>7</u>	SPECIAL CYCLE PRICE
<u>3</u> <u>0</u> <u>7</u>	Represents the number of quarters (coin 1); may adjust from 0-39. (See VALUE OF COIN 1.) Advance from 0-39 by pressing the LOWER LEFT key pad. Factory preset for 7 quarters = \$1.75. PR MODELS ONLY: Factory preset for 0 quarters. → Press the LOWER MIDDLE key pad once to advance to next code.

CODE	EXPLANATION																								
OPTIONS TO USE IF SPECIAL PRICING IS SELECTED (cont.):																									
<u>5.00</u>	TIME-OF-DAY CLOCK, MINUTES																								
<u>5.00</u>	This is the TIME-OF-DAY CLOCK, minute setting; select 0-59 minutes by pressing the LOWER LEFT key pad. → Press the LOWER MIDDLE key pad once to advance to next code.																								
<u>6.00</u>	TIME-OF-DAY CLOCK, HOURS NOTE: Uses military time or 24 hr. clock.																								
<u>6.00</u>	This is the TIME-OF-DAY CLOCK, hour setting; select 0-23 hours by pressing the LOWER LEFT key pad. → Press the LOWER MIDDLE key pad once to advance to next code.																								
<u>7.00</u>	SPECIAL PRICE START HOUR NOTE: Uses military time or 24 hr. clock.																								
<u>7.00</u>	This is the start hour; 0-23 hours. Select START HOUR by pressing the LOWER LEFT key pad. Press the LOWER MIDDLE key pad once to advance to next code. → Press the LOWER MIDDLE key pad once to advance to next code.																								
<u>8.00</u>	SPECIAL PRICE STOP HOUR NOTE: Uses military time or 24 hr. clock.																								
<u>8.00</u>	This is the stop hour; 0-23 hours. Select STOP HOUR by pressing the LOWER LEFT key pad. → Press the LOWER MIDDLE key pad once to advance to next code.																								
<u>9.10</u>	SPECIAL PRICE DAY																								
<u>9.10</u>	This represents the day of the week and whether special pricing is selected for that day. A number followed by '0' indicates no selection that particular day (9.10). A number followed by an 'S' indicates selected for that day (9.1S). Days of the week (1-7) can be chosen by pressing the LOWER LEFT key pad. Press the LOWER LEFT key pad once to select special pricing for each day chosen. When exiting set-up code '9', the display must show current day of week: <table border="1" style="margin-left: 20px;"> <thead> <tr> <th>DISPLAY</th> <th>DAY OF WEEK</th> <th>CODE (selected)</th> </tr> </thead> <tbody> <tr><td>10</td><td>Day 1 = Sunday</td><td>1S</td></tr> <tr><td>20</td><td>Day 2 = Monday</td><td>2S</td></tr> <tr><td>30</td><td>Day 3 = Tuesday</td><td>3S</td></tr> <tr><td>40</td><td>Day 4 = Wednesday</td><td>4S</td></tr> <tr><td>50</td><td>Day 5 = Thursday</td><td>5S</td></tr> <tr><td>60</td><td>Day 6 = Friday</td><td>6S</td></tr> <tr><td>70</td><td>Day 7 = Saturday</td><td>7S</td></tr> </tbody> </table> → Press the LOWER MIDDLE key pad once to advance to next code.	DISPLAY	DAY OF WEEK	CODE (selected)	10	Day 1 = Sunday	1S	20	Day 2 = Monday	2S	30	Day 3 = Tuesday	3S	40	Day 4 = Wednesday	4S	50	Day 5 = Thursday	5S	60	Day 6 = Friday	6S	70	Day 7 = Saturday	7S
DISPLAY	DAY OF WEEK	CODE (selected)																							
10	Day 1 = Sunday	1S																							
20	Day 2 = Monday	2S																							
30	Day 3 = Tuesday	3S																							
40	Day 4 = Wednesday	4S																							
50	Day 5 = Thursday	5S																							
60	Day 6 = Friday	6S																							
70	Day 7 = Saturday	7S																							
<u>9.00</u>	VAULT VIEWING OPTION This option is either SELECTED 'ON' or NOT SELECTED 'OFF'.																								
<u>9.00</u>	Not Selected 'OFF'.																								
<u>9.5C</u>	Selected 'ON'. Press the LOWER RIGHT key pad once for this selection. When selected, the money and/or cycle counts will be viewable (if counting is selected) when the coin box is removed. → Press the LOWER MIDDLE key pad once to advance to next code.																								
<u>6.05</u>	VALUE OF COIN 1																								
<u>6.05</u>	This represents the value of coin 1 in number of nickels: 05 = \$0.25. By pressing the LOWER LEFT key pad, you have the option of 1-199 nickels. → Press the LOWER MIDDLE key pad once to advance to next code.																								

CODE	EXPLANATION
<u>C.20</u>	VALUE OF COIN 2
<u>C.20</u>	This represents the value of coin 2 in number of nickels: 20 = \$1.00. PR MODELS ONLY: Factory preset for \$0.25. By pressing the PERMANENT PRESS key pad, you have the option of 1-199 nickels. → Press the LOWER LEFT key pad once to advance to next code.
<u>d.00</u>	COIN SLIDE OPTION This option is either SELECTED 'ON' or NOT SELECTED 'OFF'.
<u>d.00</u>	Not Selected 'OFF'.
<u>d.5S</u>	Selected 'ON'. Press the LOWER RIGHT key pad 3 consecutive times for this selection. When coin slide mode is selected, set 'b.' equal to value of slide in nickels. Set step 6 (regular cycle price) and step 3 (special cycle price) to number of slide operations. If the installer sets up 'CS' on a coin drop model, it will not register coins. → Press the LOWER MIDDLE key pad once to advance to next code.
<u>E.00</u>	ADD COINS OPTION This option is either SELECTED 'ON' or NOT SELECTED 'OFF'. This option causes the customer display to show the number of coins (coin 1) to enter, rather than the dollars-and-cents amount.
<u>E.00</u>	Not Selected 'OFF'.
<u>E.RC</u>	Selected 'ON'. Press the LOWER RIGHT key pad 3 consecutive times for this selection. → Press the LOWER MIDDLE key pad once to advance to next code.
<u>F.00</u>	ENHANCED PRICING OPTION
<u>F.00</u>	Not Selected 'OFF'.
<u>F.CP</u>	Cycle-Based pricing enabled. This option allows configuration of different prices for cold, warm, and hot water cycles. Press the LOWER RIGHT key pad for this selection.
<u>F.Su</u>	Super Cycle pricing enabled. This option allows customers to upgrade cycles by depositing extra money. Set-up codes 'H.' and 'h.' will be displayed only when this option is enabled. Press the LOWER RIGHT key pad for this selection. → Press the LOWER MIDDLE key pad once to advance to next code.
<u>H.01</u>	SUPER CYCLE UPGRADE PRICE (Skipped unless Super Cycle pricing is enabled.)
<u>H.01</u>	This represents the number of coin 1 required to upgrade a base cycle to a super cycle. Advance from 0-39 by pressing the LOWER LEFT key pad. → Press the LOWER MIDDLE key pad once to advance to next code.
<u>h.01</u>	SUPER CYCLE TYPE (Skipped unless Super Cycle pricing is enabled.)
<u>h.01</u>	This represents the Super Cycle upgrade option. Press the LOWER LEFT key pad to step through upgrade options 1 through 3 as follows: 01 - enhanced wash, extra 3 minutes of wash tumble in addition to the programmed wash time. 02 - extra rinse for all cycles. 03 - both 01 and 02. → Press the LOWER MIDDLE key pad once to advance to next code.

CODE	EXPLANATION
COIN/DEBIT OPTION	
	Both coin & debit selected.
	Coins selected, debit disabled. Press the LOWER RIGHT key pad for this selection.
	Debit Card selected, coins disabled. Press the LOWER RIGHT key pad for this selection.
	Enhanced Debit is self-selected when a Generation 2 card reader is installed in the washer. The Ed option cannot be manually selected or deselected. → Press the LOWER MIDDLE key pad once to advance to next code.
PRICE SUPPRESSION OPTION	
	This option causes the customer display to show 'ADD' or 'AVAILABLE' rather than the amount of money to add. (Used mainly in debit installations.)
	Not Selected 'OFF'.
	Selected 'ON'. Press the LOWER RIGHT key pad once for this selection. → Press the LOWER MIDDLE key pad once to advance to next code.
CLEAR ESCROW OPTION	
	When selected, money held in escrow for 30 minutes without further escrow or cycle activity will be cleared.
	Selected 'ON'.
	Not selected 'OFF'. Press the LOWER RIGHT key pad once to deselect this selection. → Press the LOWER MIDDLE key pad once to advance to next code.
PENNY INCREMENT OFFSET	
	This represents the penny increment price offset used in Generation 2 (Enhanced Debit) PR models. Choose from 0-4 pennies by pressing the LOWER LEFT key pad. → Press the LOWER MIDDLE key pad once to advance to next code.

If cycle counter (90C) is selected, the following is true:

100 Represents the number of cycles in HUNDREDS. $1 \underline{02} = 200$
 200 Represents the number of cycles in ONES. $2 \underline{25} = 25$
 TOTAL CYCLES = 225

This is "VIEW ONLY" and cannot be cleared.

Press the LOWER MIDDLE key pad once to advance to next code.

If money counter (1.0C or 1.C0) is selected, the following is true:

300 Number of dollars in HUNDREDS. $3 \underline{01} = \$100.00$
 400 Number of dollars in ONES. $4 \underline{68} = \$ 68.00$
 500 Number of CENTS. $5 \underline{75} = \$.75$
 TOTAL = \$168.75

END OF SET-UP PROCEDURES

EXIT FROM SET-UP MODE

- PD Models: Reinstall access door.
- PR Models:
 - Unplug washer or disconnect power.
 - Open console, reinsert plug into AA1, close console.
 - Plug in washer or reconnect power.

MAYTAG® COMMERCIAL SINGLE-LOAD AND VENDED MULTI-LOAD WASHER AND DRYER WARRANTY

LIMITED WARRANTY ON PARTS

For the first five years from the date of purchase, when this commercial appliance is installed, maintained and operated according to the instructions attached to or furnished with the product, Maytag brand of Whirlpool Corporation (hereafter "Maytag") will pay for factory specified parts or original equipment manufacturer parts to correct defects in materials or workmanship. Proof of original purchase date is required to obtain service under this warranty.

ITEMS MAYTAG WILL NOT PAY FOR

1. All other costs including labor, transportation, or custom duties.
 2. Service calls to correct the installation of your commercial appliance, to instruct you how to use your commercial appliance, to replace or repair fuses, or to correct external wiring or plumbing.
 3. Repairs when your commercial appliance is used for other than normal, commercial use.
 4. Damage resulting from improper handling of product during delivery, theft, accident, alteration, misuse, abuse, fire, flood, acts of God, improper installation, installation not in accordance with local electrical or plumbing codes, or use of products not approved by Maytag.
 5. Pickup and Delivery. This commercial appliance is designed to be repaired on location.
 6. Repairs to parts or systems resulting from unauthorized modifications made to the commercial appliance.
 7. The removal and reinstallation of your commercial appliance if it is installed in an inaccessible location or is not installed in accordance with published installation instructions.
 8. Chemical damage is excluded from all warranty coverage.
 9. Changes to the building, room, or location needed in order to make the commercial appliance operate correctly.
 10. Repairs made by a non-Whirlpool authorized service technician.
-

DISCLAIMER OF IMPLIED WARRANTIES; LIMITATIONS OF REMEDIES

CUSTOMER'S SOLE AND EXCLUSIVE REMEDY UNDER THIS LIMITED WARRANTY SHALL BE PRODUCT REPAIR AS PROVIDED HEREIN. IMPLIED WARRANTIES, INCLUDING WARRANTIES OF MERCHANTABILITY OR FITNESS FOR A PARTICULAR PURPOSE, ARE LIMITED TO ONE YEAR OR THE SHORTEST PERIOD ALLOWED BY LAW. WHIRLPOOL SHALL NOT BE LIABLE FOR INCIDENTAL OR CONSEQUENTIAL DAMAGES. SOME STATES AND PROVINCES DO NOT ALLOW THE EXCLUSION OR LIMITATION OF INCIDENTAL OR CONSEQUENTIAL DAMAGES, OR LIMITATIONS ON THE DURATION OF IMPLIED WARRANTIES OF MERCHANTABILITY OR FITNESS, SO THESE EXCLUSIONS OR LIMITATIONS MAY NOT APPLY TO YOU. THIS WARRANTY GIVES YOU SPECIFIC LEGAL RIGHTS AND YOU MAY ALSO HAVE OTHER RIGHTS, WHICH VARY FROM STATE TO STATE OR PROVINCE TO PROVINCE.

If you need service, please contact your authorized Maytag® Commercial Laundry distributor. To locate your authorized Maytag® Commercial Laundry distributor, or for web inquiries, visit www.MaytagCommercialLaundry.com.

3/10

For written correspondence:

Maytag® Commercial Laundry Service Department
2000 M-63 North
Benton Harbor, Michigan 49022 USA

SÉCURITÉ DE LA LAVEUSE

Votre sécurité et celle des autres est très importante.

Nous donnons de nombreux messages de sécurité importants dans ce manuel et sur votre appareil ménager. Assurez-vous de toujours lire tous les messages de sécurité et de vous y conformer.



Voici le symbole d'alerte de sécurité.

Ce symbole d'alerte de sécurité vous signale les dangers potentiels de décès et de blessures graves à vous et à d'autres.

Tous les messages de sécurité suivront le symbole d'alerte de sécurité et le mot "DANGER" ou "AVERTISSEMENT". Ces mots signifient :

⚠ DANGER

Risque possible de décès ou de blessure grave si vous ne suivez pas immédiatement les instructions.

⚠ AVERTISSEMENT

Risque possible de décès ou de blessure grave si vous ne suivez pas les instructions.

Tous les messages de sécurité vous diront quel est le danger potentiel et vous disent comment réduire le risque de blessure et ce qui peut se produire en cas de non-respect des instructions.

IMPORTANTES INSTRUCTIONS DE SÉCURITÉ

AVERTISSEMENT : Pour réduire les risques d'incendie, de choc électrique ou de blessures lors de l'utilisation de la laveuse, suivre les précautions fondamentales dont les suivantes:

- Lire toutes les instructions avant d'utiliser la laveuse.
- Ne pas laver des articles qui ont été nettoyés ou lavés avec de l'essence ou imbibés d'essence, solvants de nettoyage à sec, ou autres substances inflammables ou explosives; ces substances peuvent émettre des vapeurs susceptibles de s'enflammer ou d'exploser.
- Ne pas ajouter d'essence, solvant de nettoyage à sec ou autre produit inflammable ou explosif dans l'eau de lavage. Ces substances peuvent émettre des vapeurs susceptibles de s'enflammer ou d'exploser.
- Dans certaines conditions, de l'hydrogène gazeux peut se former dans un circuit d'eau chaude qui n'a pas été utilisé pendant 2 semaines ou plus. **LE GAZ HYDROGÈNE EST EXPLOSIBLE.** Si le circuit d'eau chaude n'a pas été utilisé pendant une telle période, avant d'utiliser la laveuse, ouvrir tous les robinets d'eau chaude et laisser l'eau s'écouler pendant plusieurs minutes par chaque robinet. Ceci permettra l'évacuation de l'hydrogène gazeux accumulé. Comme ce gaz est inflammable, ne pas fumer ou utiliser une flamme nue au cours de cette période.
- Ne pas laisser des enfants jouer sur ou à l'intérieur de la laveuse. Bien surveiller les enfants lorsque la laveuse est utilisée à proximité d'enfants.
- Avant de mettre la laveuse au rebut ou hors de service, enlever la porte ou le couvercle.
- Ne pas tenter d'atteindre un article à l'intérieur de la cuve de la laveuse lorsque le tambour, la cuve ou l'agitateur est en mouvement.
- Ne pas installer ou remiser cette laveuse à un endroit où elle serait exposée aux intempéries.
- Ne pas modifier les organes de commande.
- Ne pas réparer ou remplacer un composant quelconque de la laveuse, ni entreprendre une opération de service, si ce n'est spécifiquement recommandé dans ce manuel ou dans un manuel d'instructions de réparations destiné à l'utilisateur; il est alors essentiel que la personne concernée comprenne ces instructions et soit compétente pour les exécuter.
- Voir "Spécifications électriques" pour les instructions de liaison à la terre.

CONSERVEZ CES INSTRUCTIONS

EXIGENCES D'INSTALLATION

Outillage et pièces

Rassembler les outils et pièces nécessaires avant d'entreprendre l'installation.

Outils nécessaires

- Niveau
- Couteau utilitaire
- Ciseaux
- Clé à mollette de 8" ou 10"
- Tournevis à lame plate
- Pince
- Seau

Pièces fournies

Retirer les pièces de la laveuse. Vérifier la présence de toutes les pièces.

- 1 bride de fixation
- 2 tuyaux d'arrivée d'eau
- 4 rondelles plates de tuyau d'arrivée d'eau
- 2 pieds de nivellement avant avec écrous
- 1 tuyau de vidange

Exigences d'emplacement

IMPORTANT : Ne pas installer ou remiser la laveuse dans un endroit où elle sera exposée aux intempéries. Ne pas remiser ou faire fonctionner la laveuse à des températures inférieures ou égales à 0°C (32°F). Une quantité d'eau peut demeurer dans la laveuse et causer des dommages à des températures basses.

C'est à l'utilisateur qu'incombe la responsabilité de réaliser une installation correcte.

Il vous faudra :

- Un chauffe-eau pour fournir de l'eau à 49°C (120°F) à la laveuse.
- Une prise électrique reliée à la terre située à moins de 1,2 m (4 pi) de la prise du cordon électrique se trouvant à l'arrière de la laveuse.
Voir "Spécifications électriques".
- Des robinets d'eau chaude et d'eau froide situés à 1,2 m (4 pi) de l'arrière de la laveuse, et une pression d'eau de 69 à 690 kPa (10 à 100 lb/po²). Lorsque la pression d'alimentation à l'entrée du bâtiment est supérieure à 690 kPa (100 lb/po²), on devrait installer une vanne de réduction de la pression pour éviter une éventuelle détérioration de la vanne de mixage de la laveuse.
- Un plancher de niveau ayant une pente maximale de 25 mm (1") sous l'ensemble de la laveuse.
- Un plancher robuste pour supporter la laveuse dont le poids total (laveuse, eau et charge) est de 143 kg (315 lb).
- Une colonne montante d'au moins 300 mm (12") destinée à fournir un coussin d'air et à empêcher l'émission de bruit et la détérioration des électrovannes lors de l'installation d'une seule machine.
- Un siphon de plancher devrait être disponible sous la cloison.
On devra utiliser une cloison préfabriquée avec prises de courant, canalisations d'eau et canalisations d'évacuation seulement lorsque le code local le permet.

REMARQUE : La zone de la pompe est accessible à l'avant après dépose du panneau avant (maintenu en place par 2 vis TORX[®]† n° T20).

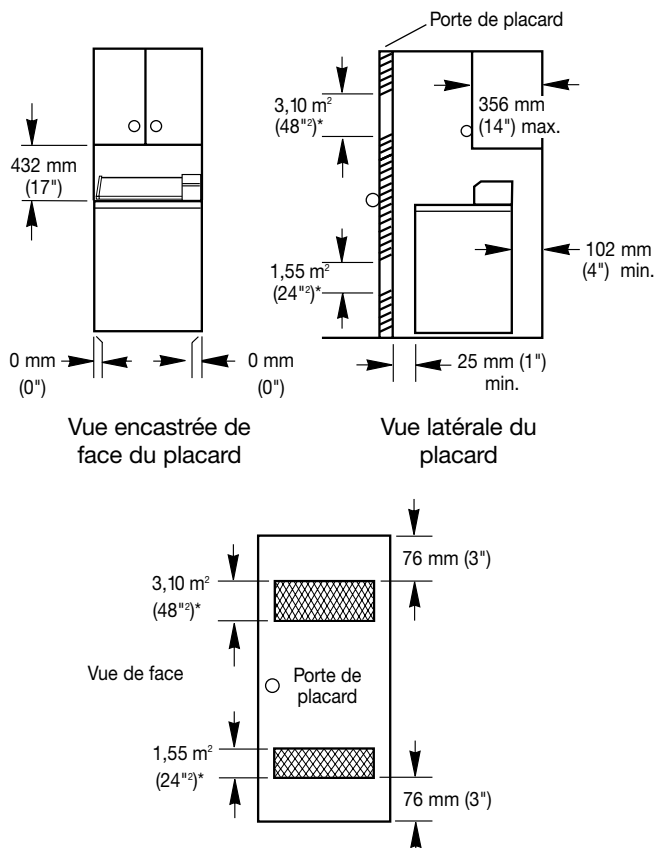
Instructions d'installation dans un encastrement ou un placard

Cette laveuse peut être installée dans un encastrement ou un placard.

Les dimensions d'installation illustrées sont en centimètres et constituent le minimum applicable. Un espace supplémentaire peut être nécessaire pour faciliter l'installation, l'entretien et pour observer les codes et règlements locaux en vigueur.

Si une porte de placard est installée, des ouvertures d'évacuation de l'air minimales sont nécessaires dans les parties supérieure et inférieure. Les portes à claire-voie offrant des ouvertures équivalentes sont acceptables.

Dégagements de séparation minimums à respecter

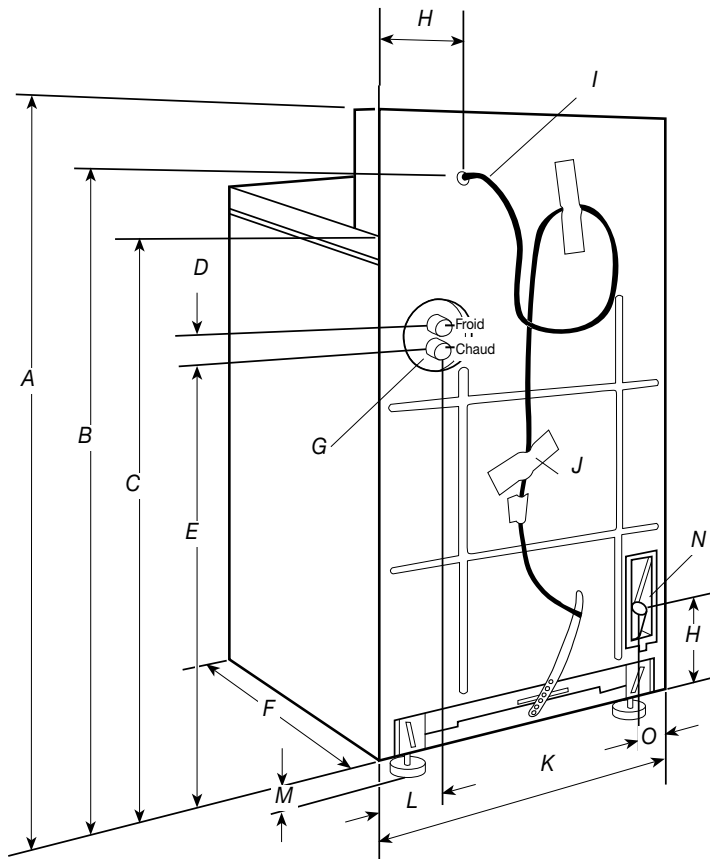


*Dimension minimale pour une porte de placard.

Les portes à claire-voie offrant des ouvertures équivalentes sont acceptables.

- Un espace supplémentaire peut être nécessaire pour faciliter l'installation et l'entretien.
- Un espace supplémentaire peut être requis pour les moulures de porte et de plancher et pour les plinthes.
- Un espace supplémentaire de 25 mm (1") de tous les côtés de la laveuse est recommandé pour réduire le transfert du bruit.
- Il faut aussi prendre en compte l'espace requis entre les appareils voisins.

Dimensions du produit



- A. 1090 mm (43^{''})
- B. 970 mm (38-1/8^{''})
- C. 890 mm (35^{''})
- D. 38 mm (1-1/2^{''})
- E. 705 mm (27-3/4^{''})
- F. 650 mm (25-1/2^{''})
- G. Arrivées d'eau
- H. 180 mm (7^{''})
- I. Cordon d'alimentation électrique
- J. Étiquette
- K. 685 mm (27^{''})
- L. 133 mm (5-1/4^{''})
- M. 25 mm (1^{''})
- N. Tuyau de vidange
- O. 127 mm (5^{''})

Système de vidange

Système de vidange avec tuyau de rejet à l'égout

Le système de rejet à l'égout nécessite un tuyau de diamètre minimum de 50 mm (2"). La capacité minimum de vidange ne peut pas être inférieure à 64 L (17 gal.) par minute.

Le sommet du tuyau de rejet à l'égout doit être au moins à 990 mm (39") de hauteur et au maximum à 1,8 m (72") de la base de la laveuse.

⚠ AVERTISSEMENT



Risque de choc électrique

Brancher sur une prise à 3 alvéoles reliée à la terre.

Ne pas enlever la broche de liaison à la terre.

Ne pas utiliser un adaptateur.

Ne pas utiliser un câble de rallonge.

Le non-respect de ces instructions peut causer un décès, un incendie ou un choc électrique.

IMPORTANT : La laveuse doit être correctement reliée à la terre en conformité avec les codes et règlements locaux en vigueur ou, en l'absence de tels codes, avec le National Electrical Code, ANSI/NFPA 70 - dernière édition.

- Si les codes le permettent et si on utilise un conducteur distinct de liaison à la terre, il est recommandé qu'un électricien qualifié vérifie la qualité de la liaison à la terre.
- Ne pas utiliser une tuyauterie de gaz pour le raccordement à la terre.
- Ne pas installer un fusible dans le conducteur neutre ou le conducteur de liaison à la terre.
Pour obtenir un exemplaire de la norme des codes ci-dessus, contacter :
National Fire Protection Association
One Batterymarch Park, Quincy, MA 02269
- L'appareil doit être alimenté par un circuit de 120 V, CA seulement, 60 Hz, 15 ou 20 A, protégé par un fusible. On recommande d'utiliser un fusible ou un disjoncteur temporisé. Il est recommandé de raccorder la laveuse sur un circuit distinct exclusif à cet appareil.
- Cette laveuse comporte un cordon d'alimentation électrique à trois broches pour liaison à la terre.
- Pour minimiser les risques de choc électrique, on doit brancher le cordon sur une prise de courant de configuration correspondante, à 3 alvéoles, reliée à la terre et installée conformément à tous les codes et règlements locaux en vigueur. Si une prise de courant de configuration correspondante n'est pas disponible, le client a la responsabilité et l'obligation de faire installer par un électricien qualifié une prise de courant correctement reliée à la terre.

Méthode recommandée de mise à la terre

La laveuse doit être correctement reliée à la terre en conformité avec les codes et règlements locaux en vigueur ou, en l'absence de tels codes, avec le National Electrical Code, ANSI/NFPA 70 - dernière édition, et aux codes et règlements locaux.

INSTRUCTIONS DE LIAISON À LA TERRE

Pour une laveuse reliée à la terre et connectée par un cordon :

Cette laveuse doit être reliée la terre. En cas d'anomalie de fonctionnement ou de panne, la liaison à la terre réduira le risque de choc électrique en offrant au courant électrique un itinéraire d'évacuation de moindre résistance. Cette laveuse est alimentée par un cordon électrique comportant un conducteur relié à la terre et une fiche de branchement munie d'une broche de liaison à la terre. La fiche doit être branchée sur une prise de courant appropriée qui est bien installée et reliée la terre conformément à tous les codes et règlements locaux.

AVERTISSEMENT : Le raccordement incorrect de cet appareil au conducteur de liaison la terre peut susciter un risque de choc électrique. En cas de doute quant à la qualité de la liaison la terre de l'appareil, consulter un électricien ou technicien d'entretien qualifié.

Ne pas modifier la fiche de branchement fournie avec l'appareil si la fiche ne correspond pas à la configuration de la prise de courant, demander à un électricien qualifié d'installer une prise de courant convenable.

Pour une laveuse raccordée en permanence :

Cette laveuse doit être raccordée à un système de câblage permanent en métal relié à la terre ou un conducteur relié à la terre doit être en fonction avec les conducteurs de circuit et raccordés à la borne de liaison la terre ou la borne sur l'appareil ménager.

INSTRUCTIONS D'INSTALLATION

⚠ AVERTISSEMENT

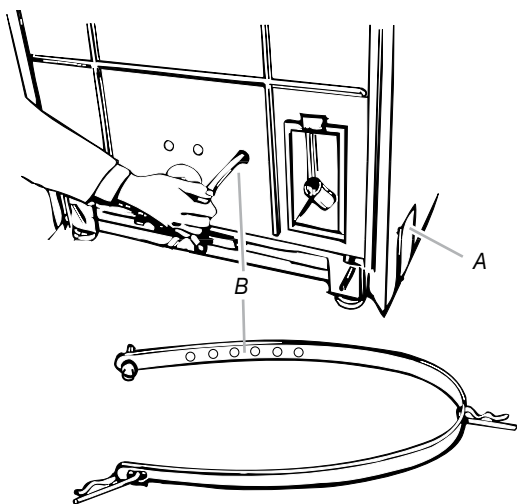
Risque du poids excessif

Utiliser deux ou plus de personnes pour déplacer et installer la laveuse.

Le non-respect de cette instruction peut causer une blessure au dos ou d'autre blessure.

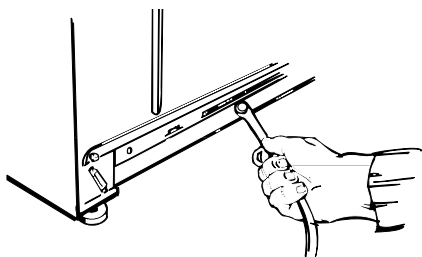
Enlever la sangle d'expédition

1. Enlever le ruban adhésif qui recouvre la sangle d'expédition. Tirer pour extraire complètement la sangle et les 2 goupilles qui se trouvent à l'intérieur de la laveuse.



A. Ruban adhésif pour expédition
B. Sangle d'expédition

2. Tirer fermement pour extraire l'extrémité de la sangle d'expédition de l'arrière de la laveuse. Pour la libérer les pieds de réglage de l'aplomb, il faut que la sangle d'expédition soit complètement extraite de la machine.



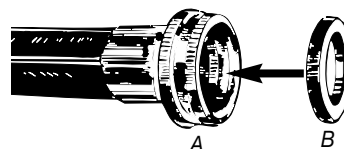
Conserver la sangle d'expédition pour réutilisation éventuelle.

Raccordement des tuyaux

Le bon acheminement du tuyau de vidange évite d'endommager vos planchers imputables à une fuite d'eau. Lire et suivre ces instructions.

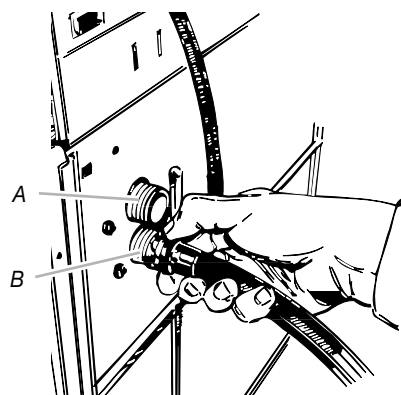
Connecter les tuyaux d'alimentation à la laveuse

1. La laveuse doit être connectée aux robinets d'eau à l'aide des nouveaux tuyaux d'arrivée d'eau. Ne pas utiliser de tuyaux usagés. Insérer les rondelles plates neuves (fournies) dans chaque extrémité des tuyaux d'arrivée d'eau. Insérer fermement les rondelles dans les raccords.



A. Raccord
B. Rondelle

2. Fixer d'abord le tuyau à la valve d'arrivée d'eau inférieure.



A. Valve du tuyau d'alimentation d'eau froide
B. Valve du tuyau d'alimentation d'eau chaude

3. Fixer le second tuyau à la valve d'arrivée d'eau supérieure. Serrer les raccords à la main, puis utiliser une pince et serrer de deux tiers de tour en plus.

REMARQUE : Les fils des valves de tuyau d'arrivée d'eau sont en plastique. Veiller à ne pas détériorer les filetages des raccords.

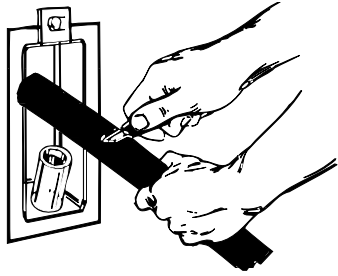
Connecter le tuyau de vidange

REMARQUE : Faire glisser la laveuse sur un carton ou une plaque de contreplaqué avant de la déplacer sur le plancher.

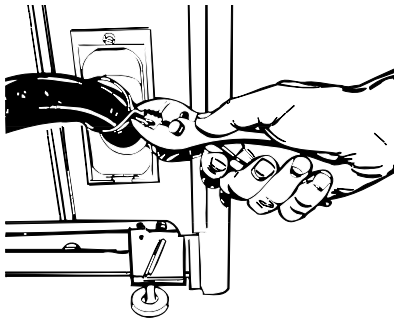
1. Placer la laveuse près de son emplacement d'installation final.
2. Mettre l'extrémité en crochet du tuyau de vidange dans l'évier de buanderie ou dans le tuyau de rejet à l'égout.
3. Estimer la longueur de tuyau de vidange nécessaire lorsque la laveuse est à son emplacement d'installation final. Il faut que le tuyau soit coupé à la longueur exacte qui permettra à l'extrémité en crochet d'être fermement retenue dans l'embouchure du tuyau de rejet à l'égout.

Si le tuyau de vidange est trop long, couper l'extrémité droite pour le raccourcir. (Ne jamais couper l'extrémité recourbée du tuyau de vidange.)

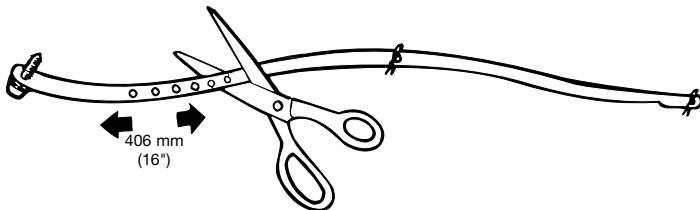
REMARQUE : Ne pas forcer une section excessive du tuyau de vidange à pénétrer dans le tuyau de rejet à l'égout, ceci pourrait provoquer un siphonnage.



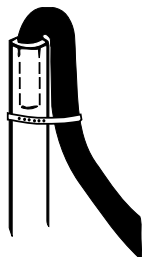
- Placer la bride de tuyau sur le raccord de vidange de la laveuse. Pousser le tuyau de vidange pour l'engager sur le raccord de connexion de la laveuse. Utiliser une pince pour ouvrir la bride de tuyau et la placer à l'emplacement approprié sur le tuyau de vidange. Vérifier que la bride est correctement placée et serrée.



- Mesurer et marquer un point à approximativement 406 mm (16") de l'extrémité avec piton de la sangle d'expédition. Couper la sangle à cet endroit.



- Vérifier que le tuyau n'est pas vrillé ou déformé et qu'il est fermement maintenu en place.
- Introduire l'extrémité recourbée du tuyau de vidange dans le tuyau de rejet à l'égout. Enlacer les deux tuyaux avec la sangle d'expédition. Introduire le piton dans le trou le plus proche de la sangle.



Connecter les tuyaux d'alimentation aux robinets d'eau

- Avant de fixer les tuyaux d'alimentation, faire s'écouler l'eau des deux robinets dans un seau. Ceci éliminera les particules se trouvant dans les canalisations d'eau qui pourraient obstruer les tuyaux. Marquer le robinet d'eau chaude.
- Fixer le tuyau d'alimentation inférieur (marqué "H") au robinet d'eau chaude.
Serrer à la main les raccords au robinet.
- Fixer le tuyau d'alimentation supérieur (marqué "C") au robinet d'eau froide.
Serrer à la main les raccords aux robinets.
- Utiliser une pince et tourner chaque raccord de deux tiers de tour en plus.

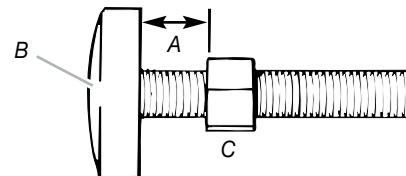
Réglage de l'aplomb de la laveuse

Installation des pieds de réglage de l'aplomb avant

- Superposer deux cornières de carton d'emballage. Incliner la laveuse vers l'arrière et insérer les cornières sous la laveuse à 76 mm (3") de chaque côté – voir l'illustration.

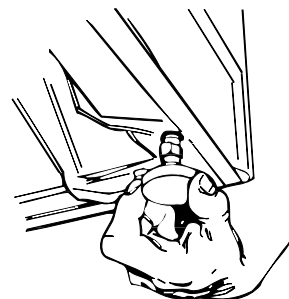


- Trouver les pieds de réglage de l'aplomb et les écrous dans le sachet de pièces. Visser l'écrou jusqu'à moins de 13 mm (1/2") de la base.



A. 13 mm (1/2")
B. Base
C. Écrou

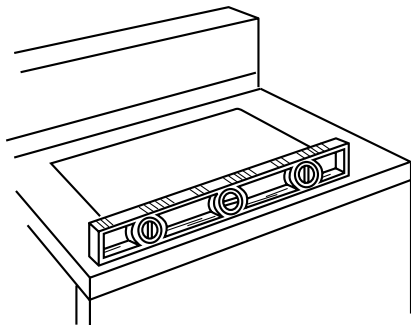
- Insérer un pied dans le trou approprié dans chaque angle avant de la laveuse jusqu'à ce que l'écrou soit au contact de la base de la laveuse. Ne pas serrer les écrous avant que l'aplomb de la laveuse n'ait été établi.



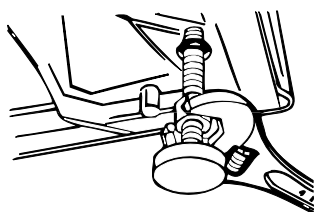
- Incliner la laveuse vers l'arrière et retirer les cornières de carton. Abaisser doucement la laveuse pour la reposer au sol.
- Déplacer la laveuse jusqu'à son emplacement définitif. Retirer le carton ou la plaque de contreplaqué de dessous la laveuse.

Réglage de l'aplomb de la laveuse

1. Incliner la laveuse vers l'avant pour soulever les pieds arrière de 2,5 mm (1") pour l'ajustement des pieds arrière de réglage automatique de l'aplomb. Abaisser doucement la laveuse jusqu'au sol.
2. Utiliser un niveau pour contrôler l'aplomb de la machine dans les deux directions, transversalement et avant-arrière.



3. Si la laveuse n'est pas d'aplomb, régler la longueur de déploiement des pieds avant. Utiliser le niveau pour un contrôle final.
4. Lorsque la laveuse est d'aplomb, utiliser une clé pour serrer chaque écrou au contact de la base de la laveuse. Si les écrous ne sont pas suffisamment serrés contre la base, la laveuse pourrait vibrer.



Achever l'installation

1. Consulter les spécifications électriques. Vérifier que la tension électrique disponible est correcte et que la prise de courant est convenablement reliée à la terre.
2. Vérifier que toutes les pièces sont maintenant installées. S'il reste une pièce, passer en revue les différentes étapes pour découvrir laquelle aurait été oubliée.
3. Ouvrir les robinets d'eau et vérifier s'il y a des fuites. Serrer les raccords en cas de fuites. Ne pas serrer excessivement, ceci pourrait endommager les robinets.
4. S'assurer d'avoir récupéré tous vos outils.
5. Vérifier que la sangle d'expédition a été retirée à l'arrière de la laveuse et qu'elle a été utilisée pour l'arrimage du tuyau de vidange. Si la sangle n'a pas été totalement retirée, la laveuse peut vibrer et être bruyante.

⚠ AVERTISSEMENT



Risque de choc électrique

- Brancher sur une prise à 3 alvéoles reliée à la terre.**
- Ne pas enlever la broche de liaison à la terre.**
- Ne pas utiliser un adaptateur.**
- Ne pas utiliser un câble de rallonge.**
- Le non-respect de ces instructions peut causer un décès, un incendie ou un choc électrique.**

6. Brancher le cordon électrique dans une prise à 3 alvéoles reliée à la terre.

REMARQUE : Sur certains modèles, lors des tests à l'usine, le bouton de la minuterie est engagé (exécution partielle d'un programme) et le bouton de mise en marche est enfoncé. Laisser la minuterie provoquer la poursuite du programme jusqu'à la fin. Lorsque le programme est terminé, la minuterie se réarme et le bouton reprend sa position de mise en marche. Si on ne laisse pas la minuterie commander le déroulement du programme jusqu'à la fin et le réarmement, le lavage de la première charge ne sera pas exécuté correctement.

⚠ AVERTISSEMENT



Risque de choc électrique

- Déconnecter la source de courant électrique avant l'entretien.**
- Replacer pièces et panneaux avant de faire la remise en marche.**
- Le non-respect de ces instructions peut causer un décès ou un choc électrique.**

Liste de contrôle pour le fonctionnement de la laveuse :

Si la laveuse ne fonctionne pas correctement, vérifier ce qui suit :

1. Le cordon d'alimentation est branché.
2. Le disjoncteur ne s'est pas déclenché ou aucun fusible n'est grillé.
3. La minuterie a été avancée pour commencer un programme.
4. Les robinets d'eau chaude et d'eau froide sont ouverts.
5. Les tuyaux d'arrivée d'eau et de vidange ne sont pas déformés.
6. Le couvercle de la laveuse est fermé.
7. La valve d'arrivée d'eau n'est pas gelée si elle n'est pas protégée des intempéries.
8. Niveau de mousse. Une quantité excessive de mousse ralentira l'essorage et produira un rinçage médiocre. Exécuter un programme complet sans utiliser de détergent. Utiliser moins de détergent ou un détergent au niveau de mousse contrôlé pour les prochaines charges.

Si vous avez besoin d'assistance :

Communiquer avec votre distributeur d'ensemble de buanderie Maytag® autorisé. Pour localiser votre distributeur d'ensemble de buanderie Maytag® autorisé, ou pour des demandes de renseignements sur Internet, visitez le site Web www.MaytagCommercialLaundry.com.

Si vous ne pouvez pas localiser votre distributeur, le Centre d'assistance d'appareils de buanderie commerciaux répondra à toute question concernant le fonctionnement et l'entretien de la laveuse non abordée dans les instructions d'installation.

Il suffit de composer le 1-800 NO BELTS (1-800-662-3587). La communication est gratuite.

Lors de l'appel, vous aurez besoin des numéros de modèle et de série de la laveuse. Les deux numéros sont indiqués sur la plaque signalétique de l'appareil.

Conseils de fonctionnement

⚠ AVERTISSEMENT



Risque d'incendie

Ne jamais mettre des articles humectés d'essence ou d'autres fluides inflammables dans la laveuse.

Aucune laveuse ne peut complètement enlever l'huile.

Ne pas faire sécher des articles qui ont été salis par tout genre d'huile (y compris les huiles de cuisson).

Le non-respect de ces instructions peut causer un décès, une explosion ou un incendie.

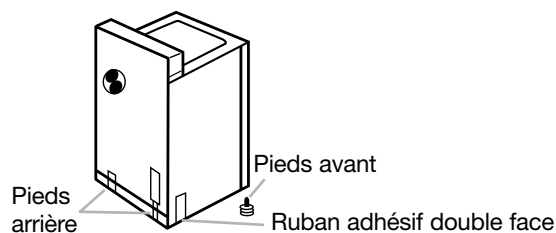
On déconseille le lavage d'articles de fibre de verre dans une laveuse commandée par pièce de monnaie. Si de tels articles ont été lavés dans la machine, commander l'exécution d'un programme complet pour l'élimination de tout résidu qui pourrait encore se trouver dans la machine.

Tailles de charges complètes classiques

Type de charge	Suggestion de chargement	Type de charge	Suggestion de chargement
Charge mixte	3 draps à 2 places 4 taies d'oreiller 6 shorts 8 tee-shirts 2 chemises 2 chemisiers 8 mouchoirs	Vêtements de travail épais	3 pantalons 3 chemises 1 salopette 4 jeans 1 ensemble
Pressage permanent	2 draps à 2 places ou 1 drap de très grande taille 1 nappe 1 robe 1 chemisier 2 pantalons tout-aller 3 chemises 2 taies d'oreiller	Tricots	3 chemisiers 4 pantalons tout-aller 6 chemises 4 hauts 4 robes

En cas de déplacement de la laveuse à un nouvel emplacement

- Retirer les pieds avant de la base de la laveuse.
- Placer les deux pieds de nivellement arrière en position élevée et fixer à l'aide de ruban adhésif.
- Appliquer du ruban adhésif sur les côtés et le bas du placard à l'arrière de celui-ci.
- Ouvrir le couvercle de la laveuse; insérer une couverture entre la couronne de la cuve et le sommet de la caisse pour limiter les mouvements de la cuve.



- Manipuler doucement la laveuse. Faire attention de ne pas laisser tomber la laveuse en cas d'utilisation d'un chariot à bras.

RÉGLAGE DE LA COMMANDE ÉLECTRONIQUE

LAVEUSE COMMERCIALE - OPÉRATIONS DE BASE

- Pour d'autres renseignements, consulter www.MaytagCommercialLaundry.com.
- Cette fiche technique n'est pas valable pour les modèles antérieurs aux modèles séries MAT14.

⚠ AVERTISSEMENT



Risque de choc électrique

Déconnecter la source de courant électrique avant l'entretien.

Replacer pièces et panneaux avant de faire la remise en marche.

Le non-respect de ces instructions peut causer un décès ou un choc électrique.

IMPORTANT

Circuits électroniques sensibles aux décharges électrostatiques

Le risque de décharge électrostatique est permanent. Une décharge électrostatique peut endommager ou affaiblir les composants électroniques. La nouvelle carte peut donner l'impression qu'elle fonctionne correctement après la réparation, mais une décharge électrostatique peut lui avoir fait subir des dommages qui provoqueront une défaillance plus tard.

- Utiliser un bracelet de décharge électrostatique. Connecter le bracelet à la vis verte de liaison à la terre ou sur une surface métallique non peinte de l'appareil
-OU-

Toucher plusieurs fois du doigt la vis verte de liaison à la terre ou une surface métallique non peinte de la laveuse.

- Avant de retirer la pièce de son sachet, placer le sachet antistatique en contact avec la vis verte de liaison à la terre ou une surface métallique non peinte de la laveuse.
- Éviter de toucher les composants électroniques ou les broches de contact; tenir la carte de circuits électroniques par les bords seulement lors des manipulations.
- Lors du réemballage d'une carte de circuits électroniques défaillante dans le sachet antistatique, observer les instructions ci-dessus.

INFORMATION GÉNÉRALE POUR L'UTILISATEUR

Afficheur vierge

Cette situation indique que la laveuse n'est pas opérationnelle. Accéder au mode de configuration pour voir le code de diagnostic.

Affichage de '0 Minute'

Ceci indique qu'il n'est pas possible de faire fonctionner la laveuse. L'information sur les pièces insérées ou les entrées de débit sera mémorisée mais ne peut être utilisée avant le rétablissement du fonctionnement normal par une manœuvre d'ouverture/fermeture du couvercle. En cas de défaillance du contacteur du couvercle, on doit le remplacer pour pouvoir rétablir le fonctionnement normal.

Mise en marche pour la première utilisation

La laveuse a été programmée à l'usine comme suit :

- Période de lavage de 11 minutes
- 1 rinçage et 2 minutes d'agitation (rinçage)
- Prix du lavage : 1,75 \$ (modèles PD)
- Prix du lavage : 0,00 \$ (modèles PR)

Remise en marche après une interruption de l'alimentation

Après un délai qui peut atteindre 8 secondes, l'état initial de la laveuse (au moment de l'interruption de l'alimentation) est restaurée.

Prix de l'utilisation

Après l'ouverture du couvercle à l'achèvement d'un programme, l'afficheur présente le prix d'utilisation (sauf si l'appareil est réglé pour l'utilisation gratuite). Lors de l'enregistrement de l'introduction de pièces ou d'un débit, l'information affichée change et guide l'utilisateur pour le lancement d'un programme.

Programmes gratuits

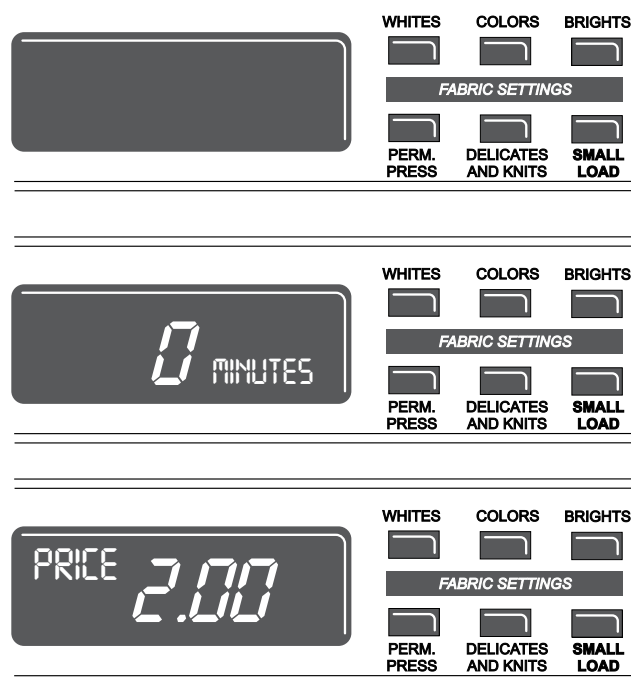
Pour ceci, on règle le prix de l'utilisation à zéro; l'afficheur présente alors 'SELECT CYCLE' (sélectionner le programme) plutôt que le prix d'une utilisation.

Prêt pour carte de débit

Cette laveuse est pré-configurée pour l'utilisation des cartes de débit; il est compatible avec une variété de systèmes de paiement par carte de débit, mais il n'est PAS fourni avec un lecteur de carte de débit. Pour le réglage approprié de la machine, voir les instructions fournies par le fabricant du lecteur de carte de débit. Pour un modèle converti pour l'utilisation d'une carte de débit Génération 1, les impulsions de débit sont équivalentes à l'insertion d'une pièce (pièce 1).

Afficheur

Après l'installation initiale et le branchement de l'appareil, l'afficheur présente '0 MINUTES'. Après le branchement de la laveuse et l'ouverture du couvercle, l'afficheur présente le prix. Si la laveuse est réglée pour l'utilisation gratuite, l'afficheur présente 'SELECT CYCLE' (sélectionner le programme) avec clignotement.



PROCÉDURES DE RÉGLAGE DES SYSTÈMES DE COMMANDE

IMPORTANT : Lire la totalité des instructions avant l'utilisation.

Pour le réglage des systèmes de commande, on utilise les touches de réglage inférieures (tissu) et l'afficheur numérique. L'afficheur peut présenter 4 chiffres et/ou lettres et un point décimal, qui indiquent les codes de paramétrage et des valeurs connexes disponibles pour la programmation de la laveuse.

Utilisation des touches pour la programmation des systèmes de commande

1. La touche INFÉRIEURE DE GAUCHE permet la sélection des valeurs associées aux codes de paramétrage. Une pression sur la touche fait augmenter la valeur; si on maintient la pression sur la touche, la valeur affichée augmente rapidement.
2. La touche INFÉRIEURE CENTRALE commande la progression parmi les codes de paramétrage. Une pression sur la touche provoque le passage au code de paramétrage suivant; une pression constante sur la touche commande le défilement automatique des codes à raison de un code par seconde.
3. La touche INFÉRIEURE DE DROITE permet de sélectionner/désélectionner les options.

Paramétrage pour mise en marche

- **Modèle PD :** Insérer la clé de la porte d'accès; tourner et soulever pour enlever la porte d'accès.
- **Modèle PR :** Après installation du lecteur de carte de débit (conformément aux instructions du fabricant du lecteur de carte), pour accéder au mode de paramétrage, insérer la carte de paramétrage manuel (fournie par le fabricant du lecteur de carte) dans le lecteur de carte. Si une carte de paramétrage manuel n'est pas disponible, on peut également enlever le connecteur AA1 sur la carte des circuits pour accéder au mode de paramétrage manuel.

IMPORTANT: Ne pas ouvrir la console avant d'avoir déconnecté l'appareil de toute source d'énergie. Pour accéder au connecteur AA1 :

- Débrancher la laveuse ou déconnecter la source de courant électrique.
- Ouvrir la console, débrancher le connecteur AA1; refermer la console.
- Brancher la laveuse ou reconnecter la source de courant électrique.

L'appareil est maintenant au mode de paramétrage.

Avant de poursuivre, noter que malgré le grand nombre d'options disponibles, le propriétaire de l'appareil peut décider de simplement débiter sa nouvelle machine commerciale, la brancher et la raccorder; elle sera alors parfaitement opérationnelle.

CODES DE PARAMÉTRAGE

- La touche **INFÉRIEURE CENTRALE** permet de passer de code en code.
 - La touche **INFÉRIEURE DE GAUCHE** permet de changer la valeur du code.
 - La touche **INFÉRIEURE DE DROITE** permet de sélectionner ou désélectionner les options.
- POUR LES MODÈLES PR :** Les codes de paramétrage sont identiques au modèle PD, sauf quand spécifié.

Un ou deux caractères à gauche correspond(ent) au code de configuration. La valeur du code est indiquée par les 2 ou 3 caractères de droite.

CODE	EXPLICATION
5.07	PRIX POUR PROGRAMME RÉGULIER
5.07	Ceci représente le nombre de pièces de 0,25 \$ (pièce 1); réglage dans la plage 0-39. (Voir VALEUR POUR PIÈCE 1.) Pour faire augmenter le chiffre affiché entre 0-39, appuyer sur la touche INFÉRIEURE DE GAUCHE. Configuré à l'usine pour 7 pièces de 0,25 \$ = 1,75 \$. MODÈLES PR SEULEMENT : Configuré à l'usine pour 0 pièce de 0,25 \$. → Appuyer une fois sur la touche INFÉRIEURE CENTRALE pour passer au code suivant.
7.11	DURÉE DU LAVAGE
7.11	Nombre de minutes de la période de LAVAGE. Sélectionner une valeur de 8-20 minutes : appuyer sur la touche INFÉRIEURE DE GAUCHE. → Appuyer une fois sur la touche INFÉRIEURE CENTRALE pour passer au code suivant.
8.21	PÉRIODES DE RINÇAGE
8.21	Il s'agit de la durée et du nombre total de périodes de rinçage. La durée de chaque période d'agitation (rinçage) est de 1-4 minutes; on peut choisir 1 ou 2 rinçages. Le chiffre du milieu représente la durée de la période d'agitation (rinçage) et le chiffre de droite représente le nombre de rinçages. On fait changer la valeur affichée selon la séquence suivante (11, 21, 31, 41, 12, 22, 32, 42) par des pressions sur la touche INFÉRIEURE DE GAUCHE. Appuyer une fois sur la touche INFÉRIEURE CENTRALE pour passer au code suivant. Pour le programme DELICATES & KNITS (articles délicats/tricots), la durée fixe de période d'agitation (rinçage) est de une minute. → Appuyer une fois sur la touche INFÉRIEURE CENTRALE pour passer au code suivant.
9.00	OPTION DE COMPTAGE DU NOMBRE DE PROGRAMMES Cette option peut être SÉLECTIONNÉE ('ON') ou PAS SÉLECTIONNÉE ('OFF').
9.00	Pas sélectionnée ('OFF').
9.00	Option sélectionnée et impossibilité de désélection. Appuyer 3 fois consécutives sur la touche INFÉRIEURE DE DROITE pour sélectionner 'ON' (active). Lorsque 'ON' a été sélectionné, on ne peut désélectionner l'option. → Appuyer une fois sur la touche INFÉRIEURE CENTRALE pour passer au code suivant.

CODE	EXPLICATION
1.00	OPTION COMPTEUR DE MONNAIE Cette option peut être SÉLECTIONNÉE ('ON') ou PAS SÉLECTIONNÉE ('OFF').
1.00	Pas sélectionnée ('OFF').
1.00	Option sélectionnée ('ON'). Appuyer 3 fois consécutives sur la touche INFÉRIEURE DE DROITE pour sélectionner 'ON' (active); appuyer 3 fois sur la touche pour désélectionner l'option. Le compteur passe de 'OFF' (inactive) à 'ON' (active).
1.00	Option sélectionnée ('ON') et impossibilité de désélection. Pour sélectionner 'ON' avec impossibilité de désélection, sélectionner d'abord 'ON'. Puis en moins de deux secondes appuyer deux fois sur la touche INFÉRIEURE DE DROITE et une fois sur la touche INFÉRIEURE DE GAUCHE, et quitter le mode de paramétrage. → Appuyer une fois sur la touche INFÉRIEURE CENTRALE pour passer au code suivant.
2.00	OPTION DE PRIX SPÉCIAL Cette option peut être SÉLECTIONNÉE ('ON') ou PAS SÉLECTIONNÉE ('OFF').
2.00	Pas sélectionnée ('OFF').
2.5P	Option sélectionnée ('ON'). Appuyer une fois sur la touche INFÉRIEURE DE DROITE pour cette sélection. Si l'OPTION DE PRIX SPÉCIAL est sélectionnée, on a accès aux codes '3.' à '9.' → Appuyer une fois sur la touche INFÉRIEURE CENTRALE pour passer au code suivant.
OPTIONS DISPONIBLES SI L'OPTION DE PRIX SPÉCIAL A ÉTÉ SÉLECTIONNÉE :	
3.07	PRIX POUR PROGRAMME SPÉCIAL
3.07	Ceci représente le nombre de pièces de 0,25 \$ (pièce 1); réglage dans la plage 0-39. (Voir VALEUR POUR PIÈCE 1.) Pour faire augmenter le chiffre affiché entre 0-39, appuyer sur la touche INFÉRIEURE DE GAUCHE. Configuré à l'usine pour 7 pièces de 0,25 \$ = 1,75 \$. MODÈLE PR SEULEMENT : Configuré à l'usine pour 0 pièce de 0,25 \$. → Appuyer une fois sur la touche INFÉRIEURE CENTRALE pour passer au code suivant.
5.00	HORLOGE - MINUTES
5.00	Sélection du nombre de minutes pour l'HORLOGE; sélectionner une valeur de 0-59 minutes : appuyer sur la touche INFÉRIEURE DE GAUCHE. → Appuyer une fois sur la touche INFÉRIEURE CENTRALE pour passer au code suivant.
6.00	HORLOGE - HEURES NOTE : Utilisation du format 24 h.
6.00	Sélection du nombre d'heures pour l'HORLOGE; sélectionner une valeur de 0-23 heures : appuyer sur la touche INFÉRIEURE DE GAUCHE. → Appuyer une fois sur la touche INFÉRIEURE CENTRALE pour passer au code suivant.
7.00	PRIX SPÉCIAL - HEURE DE COMMENCEMENT NOTE : Utilisation du format 24 h.
7.00	Sélection de l'heure de commencement pour cette tarification; 0-23 heures. Sélectionner START HOUR (heure de commencement) : appuyer sur la touche INFÉRIEURE DE GAUCHE. Appuyer une fois sur la touche INFÉRIEURE CENTRALE pour passer au code suivant. → Appuyer une fois sur la touche INFÉRIEURE CENTRALE pour passer au code suivant.
OPTIONS DISPONIBLES SI L'OPTION DE PRIX SPÉCIAL A ÉTÉ SÉLECTIONNÉE (suite) :	
8.00	PRIX SPÉCIAL - HEURE D'EXPIRATION NOTE : Utilisation du format 24 h.
8.00	Sélection de l'heure d'expiration pour cette tarification; 0-23 heures. Sélectionner STOP HOUR (heure d'expiration) : appuyer sur la touche INFÉRIEURE DE GAUCHE. → Appuyer une fois sur la touche INFÉRIEURE CENTRALE pour passer au code suivant.
9.10	JOUR POUR PRIX SPÉCIAL
9.10	Ceci représente le jour de la semaine sélectionné, et la sélection de la tarification spéciale pour ce jour. Un chiffre suivi de '0' indique que cette option n'est pas sélectionnée pour le jour particulier concerné (9.10). Un chiffre suivi d'un 'S' indique que cette option est sélectionnée pour le jour concerné (9.1S). Pour sélectionner le jour de la semaine (1-7), appuyer sur la touche INFÉRIEURE DE GAUCHE. Appuyer une fois sur la touche INFÉRIEURE DE DROITE pour sélectionner l'option de prix spécial pour chaque jour choisi. Le jour de la semaine doit apparaître sur l'afficheur au moment de sortir du code de paramétrage '9.' : AFFICHEUR JOUR DE LA SEMAINE CODE (sélectionné) 10 Jour 1 = Dimanche 1S 20 Jour 2 = Lundi 2S 30 Jour 3 = Mardi 3S 40 Jour 4 = Mercredi 4S 50 Jour 5 = Jeudi 5S 60 Jour 6 = Vendredi 6S 70 Jour 7 = Samedi 7S → Appuyer une fois sur la touche INFÉRIEURE CENTRALE pour passer au code suivant.

CODE	EXPLICATION
R.00	OPTION AFFICHAGE DU CONTENU DU COFFRE Cette option peut être SÉLECTIONNÉE ('ON') ou PAS SÉLECTIONNÉE ('OFF').
R.00	Pas sélectionnée ('OFF').
R.5C	Option sélectionnée ('ON'). Appuyer une fois sur la touche INFÉRIEURE DE DROITE pour cette sélection. Lorsque l'option est sélectionnée, le montant d'argent et/ou le nombre de programmes (si on a sélectionné le comptage) est visible lorsque la boîte à pièces a été enlevée. → Appuyer une fois sur la touche INFÉRIEURE CENTRALE pour passer au code suivant.
b.05	VALEUR DE LA PIÈCE 1
b.05	Ceci représente la valeur de la pièce 1, en multiples de 0,05 \$: 05 = 0,25 \$. Par des pressions sur la touche INFÉRIEURE DE GAUCHE, on peut sélectionner une valeur de 1 à 199 (multiples de 0,05 \$). → Appuyer une fois sur la touche INFÉRIEURE CENTRALE pour passer au code suivant.
c.20	VALEUR DE LA PIÈCE 2
c.20	Ceci représente la valeur de la pièce 2, en multiples de 0,05 \$: 20 = 1 \$. Par des pressions sur la touche INFÉRIEURE DE GAUCHE, on peut sélectionner une valeur de 1 à 199 (multiples de 0,05 \$). MODÈLE PR SEULEMENT : Configuré à l'usine pour 05 = 0,25 \$ → Appuyer une fois sur la touche INFÉRIEURE CENTRALE pour passer au code suivant.
d.00	OPTION GLISSIÈRE À PIÈCES Cette option peut être SÉLECTIONNÉE ('ON') ou PAS SÉLECTIONNÉE ('OFF').
d.00	Pas sélectionnée ('OFF').
d.5S	Option sélectionnée ('ON'). Appuyer 3 fois consécutives sur la touche INFÉRIEURE DE DROITE pour cette sélection. Lorsqu'on sélectionne le mode de glissière à pièces, sélectionner une valeur 'b.' égale à la valeur des pièces placées dans la glissière, en multiples de 0,05 \$. Paramétrer à l'étape 6 (prix pour programme régulier) et à l'étape 3 (prix pour programme spécial) pour le nombre de manœuvres de la glissière. Si l'installateur sélectionne le paramétrage 'CS' sur un modèle à pièces, l'appareil n'enregistrera pas les pièces. → Appuyer une fois sur la touche INFÉRIEURE CENTRALE pour passer au code suivant.
E.00	OPTION ADDITION DE PIÈCES Cette option peut être SÉLECTIONNÉE ('ON') ou PAS SÉLECTIONNÉE ('OFF'). Cette option commande l'affichage du nombre de pièces (pièce 1) à insérer, plutôt que d'un montant monétaire.
E.00	Pas sélectionnée ('OFF').
E.5C	Option sélectionnée ('ON'). Appuyer 3 fois consécutives sur la touche INFÉRIEURE DE DROITE pour cette sélection. → Appuyer une fois sur la touche INFÉRIEURE CENTRALE pour passer au code suivant.
F.00	OPTION TARIFICATION AMÉLIORÉE
F.00	Pas sélectionnée ('OFF').
F.5P	Activation de la tarification basée sur le programme. Cette option permet de configurer l'appareil avec des prix différents pour les programmes de lavage avec eau chaude, eau tiède et eau froide. Appuyer sur la touche INFÉRIEURE DE DROITE pour cette sélection.
F.5u	Programme super-tarification activé. Cette option permet au client d'ajouter de l'argent pour relever sa sélection. Les codes de paramétrage 'H' et 'h.' ne s'affichent que si cette option a été préalablement activée. Appuyer sur la touche INFÉRIEURE DE DROITE pour cette sélection. → Appuyer une fois sur la touche INFÉRIEURE CENTRALE pour passer au code suivant.
H.0 I	PROGRAMME SUPER-TARIFICATION/AMÉLIORATION (Omis, sauf si le programme super-tarification est activé.)
H.0 I	Ceci représente le nombre de pièces 1 nécessaires pour l'accès au super programme à partir du programme de base. Utiliser la touche INFÉRIEURE DE GAUCHE pour sélectionner une valeur de 0 à 39. → Appuyer une fois sur la touche INFÉRIEURE CENTRALE pour passer au code suivant.
h.0 I	TYPE DE SUPER PROGRAMME (Omis, sauf si le programme super-tarification est activé.)
h.0 I	Ceci représente l'option super programme/amélioration. Appuyer la touche INFÉRIEURE DE GAUCHE pour sélectionner l'un des 3 niveaux d'amélioration : 01 = lavage amélioré, avec 3 minutes additionnelles de lavage en plus de la durée programmée. 02 = rinçage additionnel pour tous les programmes. 03 = 01 + 02. → Appuyer une fois sur la touche INFÉRIEURE CENTRALE pour passer au code suivant.

CODE	EXPLICATION
U.5d	OPTION PIÈCES/DÉBIT
U.5d	Sélection du paiement par pièces et par carte de débit.
U.5-	Paiement par pièces sélectionné; paiement par carte de débit désactivé. Appuyer sur la touche INFÉRIEURE DE DROITE pour cette sélection.
U.5d	Paiement par carte de débit sélectionné, paiement par pièces désactivé. Appuyer sur la touche INFÉRIEURE DE DROITE pour cette sélection.
U.5d	L'option de paiement améliorée/carte de débit est auto-sélectionnée lors de l'installation d'un lecteur de carte Génération 2 sur l'appareil. On ne peut sélectionner/désélectionner manuellement l'option Ed. → Appuyer une fois sur la touche INFÉRIEURE CENTRALE pour passer au code suivant.
L.00	OPTION SUPPRESSION DU PRIX Lorsque cette option est sélectionnée, l'afficheur présente le message 'ADD' (ajouter) ou 'AVAILABLE' (disponible) plutôt que le montant monétaire à ajouter. (Utilisation principalement avec l'emploi du paiement par carte de débit.)
L.00	Pas sélectionnée ('OFF').
L.5S	Option sélectionnée ('ON'). Appuyer une fois sur la touche INFÉRIEURE DE DROITE pour cette sélection. → Appuyer une fois sur la touche INFÉRIEURE CENTRALE pour passer au code suivant.
n.5E	OPTION EFFACEMENT DU MONTANT MÉMORISÉ Lorsque cette option est sélectionnée, un montant conservé en mémoire est effacé après 30 minutes sans autre activité.
n.5E	Option sélectionnée ('ON').
n.00	Pas sélectionnée ('OFF'). Appuyer une fois sur la touche INFÉRIEURE DE DROITE pour désélectionner cette option. → Appuyer une fois sur la touche INFÉRIEURE CENTRALE pour passer au code suivant.
U.00	INCRÉMENT CENTIME
U.00	Ceci représente la valeur de l'incrément de prix utilisé sur le modèle PR Génération 2 (paiement par carte de débit/amélioration). Appuyer sur la touche INFÉRIEURE DE GAUCHE pour sélectionner une valeur de 0 à 4 centimes. → Appuyer une fois sur la touche INFÉRIEURE CENTRALE pour passer au code suivant.

Si le compteur de programme (90C) est sélectionné, ce qui suit est vrai :

100 Représente le nombre de programmes, en CENTAINES. $1 \underline{02} = 200$

200 Représente le nombre de programmes, en UNITÉS. $2 \underline{25} = 25$

TOTAL = 225 programmes

Cette information est "SEULEMENT AFFICHÉE"; on ne peut l'effacer.

Appuyer une fois sur la touche INFÉRIEURE CENTRALE pour passer au code suivant.

Si le compteur monétaire (1.0C ou 1.C0) est sélectionné, ce qui suit est vrai :

300 Nombre de dollars, en CENTAINES. $3 \underline{01} = 100,00 \$$

400 Nombre de dollars, en UNITÉS. $4 \underline{68} = 68,00 \$$

500 Nombre de CENTIMES. $5 \underline{75} = 0,75 \$$

TOTAL = 168,75 \$

FIN DES PROCÉDURES DE PARAMÉTRAGE

POUR QUITTER LE MODE DE PARAMÉTRAGE

■ Modèle PD : Réinstaller la porte d'accès.

■ Modèle PR :

→ Débrancher la laveuse ou déconnecter la source de courant électrique.

→ Ouvrir la console, remettre en place le connecteur AA1; fermer la console.

→ Brancher la laveuse ou reconnecter la source de courant électrique.

NOTES

GARANTIE DE LA LAVEUSE ET SÉCHEUSE COMMERCIALES À CHARGE UNIQUE OU MULTI-CHARGE PAYANTES

GARANTIE LIMITÉE SUR LES PIÈCES

Pendant cinq ans à compter de la date d'achat, lorsque cet appareil ménager commercial est installé, utilisé et entretenu conformément aux instructions jointes à ou fournies avec le produit, Maytag marque de Whirlpool Corporation (ci-après désignée "Maytag") paiera pour les pièces de rechange spécifiées par l'usine ou les pièces de rechange d'équipement originales du fabricant pour corriger les vices de matériaux ou de fabrication. Une preuve d'achat originale est requise pour bénéficier du service de garantie.

MAYTAG NE PAIERA PAS POUR

1. Tous les autres frais, notamment la main-d'œuvre, le transport ou les taxes douanières.
 2. Les visites de service pour rectifier l'installation de l'appareil ménager commercial, montrer à l'utilisateur comment utiliser l'appareil, remplacer ou réparer des fusibles, ou rectifier le câblage ou la plomberie extérieure.
 3. Les réparations lorsque l'appareil est utilisé autrement que pour une utilisation commerciale ordinaire.
 4. Les dommages imputables à une mauvaise manipulation du produit pendant une livraison, un vol, un accident, une modification, un usage impropre, un abus, un incendie, une inondation, des actes de Dieu, une mauvaise installation, une installation non conforme aux codes locaux d'électricité et de plomberie, ou l'utilisation de produits non approuvés par Maytag.
 5. Le ramassage et la livraison. Cet appareil commercial est conçu pour être réparé sur place.
 6. Les réparations aux pièces ou systèmes résultant d'une modification non autorisée faite à l'appareil commercial.
 7. La dépose et la réinstallation de votre appareil commercial si celui-ci est installé dans un endroit inaccessible ou n'est pas installé conformément aux instructions d'installation fournies.
 8. Les dommages chimiques ne sont pas couverts par la garantie.
 9. Les modifications du bâtiment, de la pièce ou de l'emplacement nécessaires pour faire fonctionner l'appareil commercial correctement.
 10. Réparations effectuées par un technicien de réparation agréé employé par une autre compagnie que Whirlpool.
-

CLAUSE D'EXONÉRATION DE RESPONSABILITÉ AU TITRE DES GARANTIES IMPLICITES; LIMITATION DES RECOURS

LE SEUL ET EXCLUSIF RECOURS DU CLIENT DANS LE CADRE DE LA PRÉSENTE GARANTIE LIMITÉE CONSISTE EN LA RÉPARATION OU LE REMPLACEMENT DU PRODUIT PRÉVU CI-DESSUS. LES GARANTIES IMPLICITES, Y COMPRIS LES GARANTIES APPLICABLES DE QUALITÉ MARCHANDE ET D'APTITUDE À UN USAGE PARTICULIER, SONT LIMITÉES À UN AN OU À LA PLUS COURTE PÉRIODE AUTORISÉE PAR LA LOI. WHIRLPOOL N'ASSUME AUCUNE RESPONSABILITÉ POUR LES DOMMAGES FORTUITS OU INDIRECTS. CERTAINES JURIDICTIONS NE PERMETTENT PAS L'EXCLUSION OU LA LIMITATION DES DOMMAGES FORTUITS OU INDIRECTS, OU LES LIMITATIONS DE LA DURÉE DES GARANTIES IMPLICITES DE QUALITÉ MARCHANDE OU D'APTITUDE À UN USAGE PARTICULIER, DE SORTE QUE CES EXCLUSIONS OU LIMITATIONS PEUVENT NE PAS S'APPLIQUER DANS VOTRE CAS. CETTE GARANTIE VOUS CONFÈRE DES DROITS JURIDIQUES SPÉCIFIQUES ET VOUS POUVEZ ÉGALEMENT JOUIR D'AUTRES DROITS QUI PEUVENT VARIER D'UNE JURIDICTION À UNE AUTRE.

Si vous avez besoin de service, veuillez communiquer avec votre distributeur d'ensemble de buanderie Maytag® autorisé. Pour localiser votre distributeur d'ensemble de buanderie Maytag® autorisé, ou pour des demandes de renseignements sur Internet, visitez le site Web www.MaytagCommercialLaundry.com.

3/10

Vous pouvez écrire à l'adresse suivante :

Maytag® Commercial Laundry Service Department
2000 M-63 North
Benton Harbor, Michigan 49022 USA

W10135312B
© 2010
All rights reserved.
Tous droits réservés.

® Registered Trademark/TM Trademark of Maytag Corporation or its related companies.
Used under license by Maytag Limited in Canada.
® Marque déposée/TM Marque de commerce de Maytag Corporation ou ses compagnies affiliées.
Emploi sous license par Maytag Limited au Canada.

05/2010
Printed in U.S.A.
Imprimé aux É.-U.

Free Manuals Download Website

<http://myh66.com>

<http://usermanuals.us>

<http://www.somanuals.com>

<http://www.4manuals.cc>

<http://www.manual-lib.com>

<http://www.404manual.com>

<http://www.luxmanual.com>

<http://aubethermostatmanual.com>

Golf course search by state

<http://golfingnear.com>

Email search by domain

<http://emailbydomain.com>

Auto manuals search

<http://auto.somanuals.com>

TV manuals search

<http://tv.somanuals.com>