

FOR ORDERING INFORMATION REFER TO PARTS PRICE LIST

CABINET PARTS

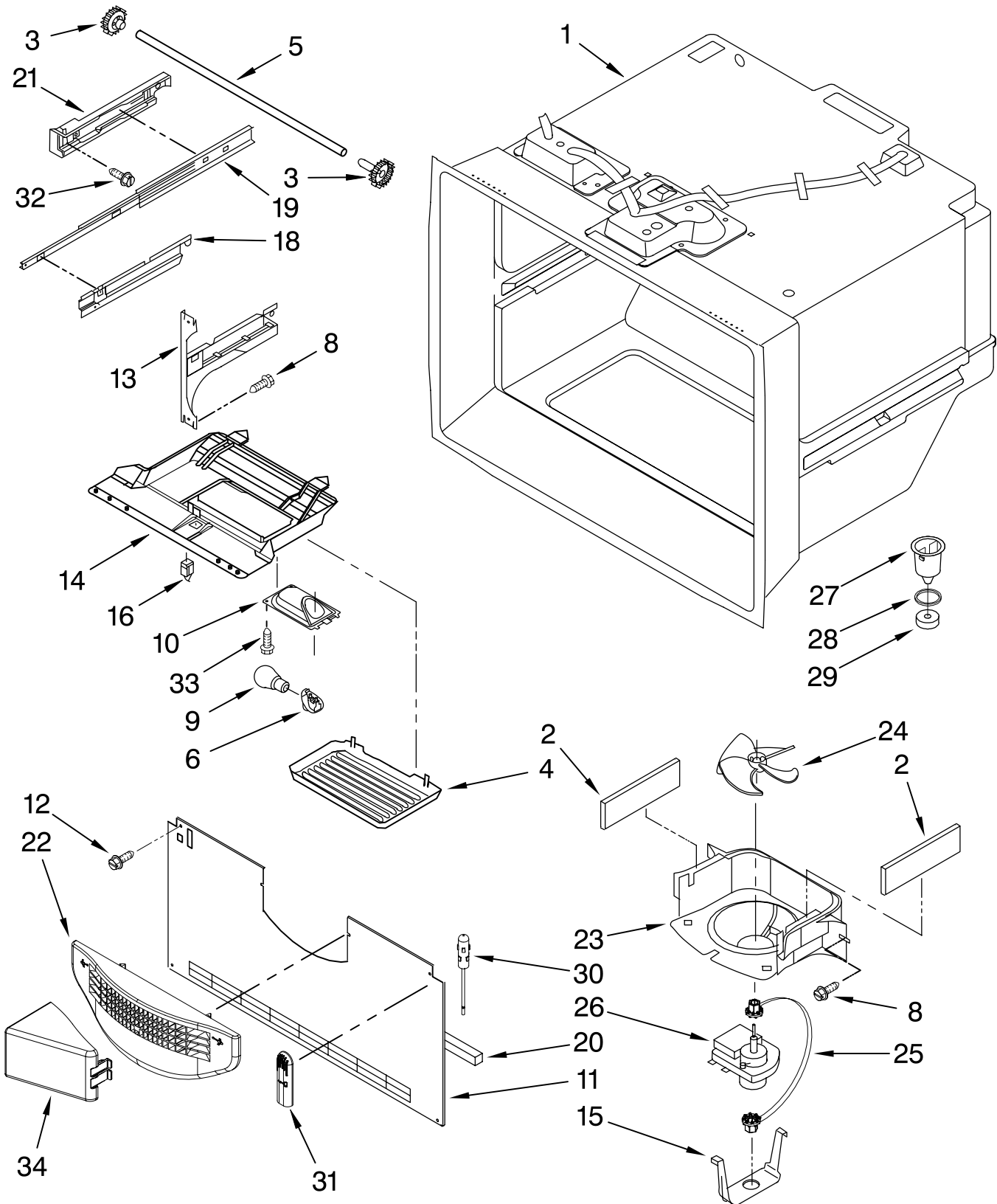
For Models: MBL1956KES3, MBR1956KES3
(Stainless-LH) (Stainless-RH)

Illus. No.	Part No.	DESCRIPTION
1		Literature Parts
	W10175446	Use & Care Guide
	W10183293	Energy Guide
	W10238840	Tech Sheet
2		Cabinet (Not a Servicable Part)
3		Plug, Button (3)
	M0310731	Black
4	B5759655	Gasket
5	W10208592	Guard, Water Valve
6	10354002	Foot, Brake
7	10351006	Pin, Center Hinge
8	W10216614	Sweep, Water Valve
9	12992602	Screw
10		Cover, Hinge
	12477601B	Black
11	12990101	Screw
12	12990521	Screw
13	12726003	Cover, Water Line
14	12992403	Screw (3)
15		Hinge, Center
	12607104ED	Black
16	12566604ED	Hinge, Top
17		Cover, Corner
	12587703B	Black
19	12580304	Roller Assembly
20	12991302	Screw (4)
21	W10210978	Cover, Unit
22		Grille, Toe
	W10236650	Black
23	M0114003SP	Clip, Speed
24	W10210987	Tube, Drain
25	12990511	Screw
26	12820505	Fiber, Acoustic
29	10463203SP	Elbow, Fill Tube
30	12990504	Screw

FOR ORDERING INFORMATION REFER TO PARTS PRICE LIST

FREEZER LINER PARTS

For Models: MBL1956KES3, MBR1956KES3
(Stainless-LH) (Stainless-RH)



FOR ORDERING INFORMATION REFER TO PARTS PRICE LIST

FREEZER LINER PARTS

For Models: MBL1956KES3, MBR1956KES3
(Stainless-LH) (Stainless-RH)

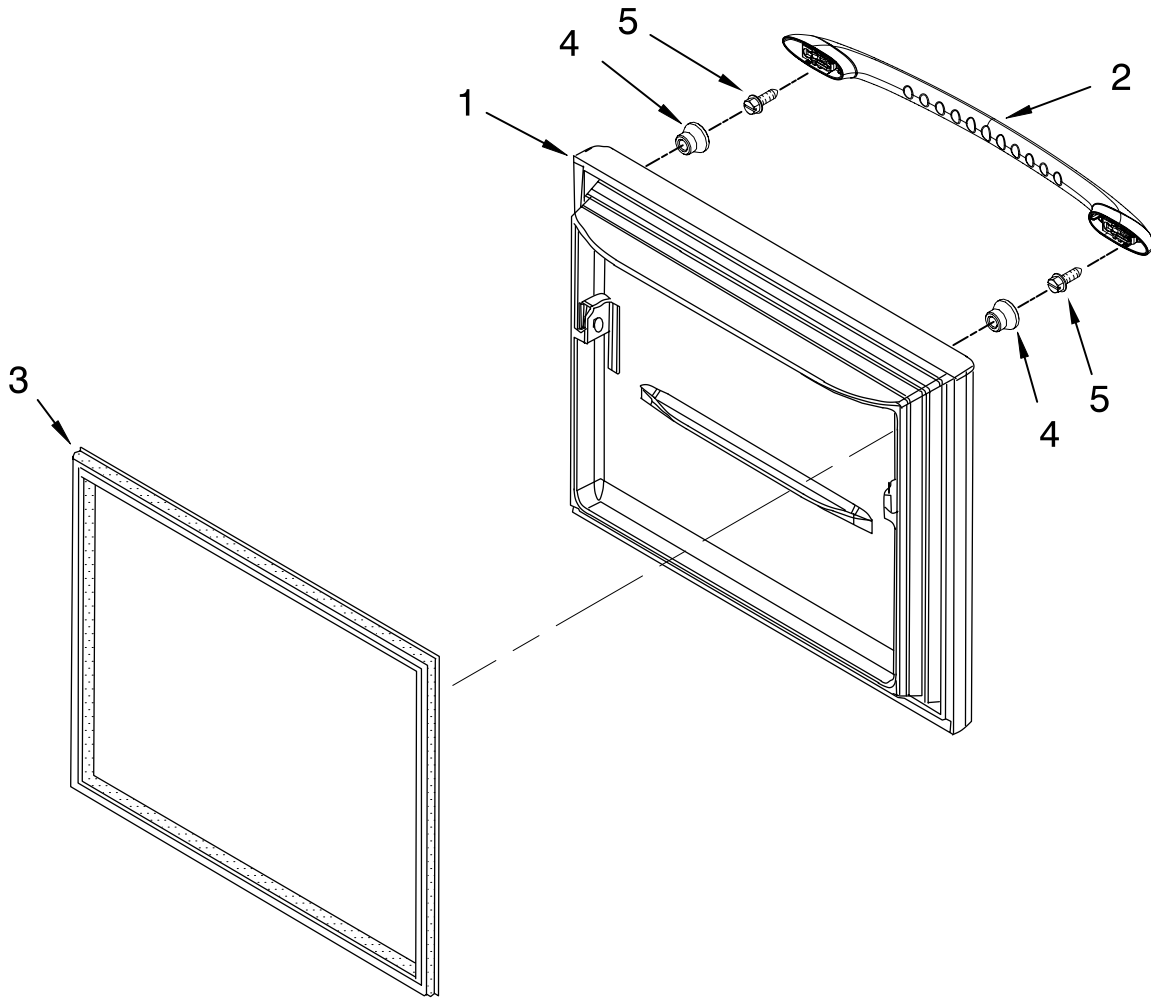
Illus. No.	Part No.	DESCRIPTION
1		Liner (Not A Serviceable Part)
2	A3189392	Gasket, Foam (2)
3	12002497	Gear (2) (Includes RH & LH)
4	12804901	Cover, Light
5	12812902WD	Shaft
6	12570701V	Socket, Light
8	12990521	Screw (8)
9	W10194422V	Bulb, Light
10	12476401V	Housing, Frz. Light
11	12226110	Cover, Evaporator
12	12990101	Screw (7)
13		Bracket, Door
	W10122147	Left
	W10122148	Right
14	12805001	Housing, Lighting
15	13058002	Clip, Evap. Motor
16	12466105	Switch, Light
18		Bracket, Basket
	12812303	Left
	12812304	Right
19	W10120018	Slide, Drawer (2)
20	A3189397	Gasket, Bottom
21		Adapter, Slide
	W10128118	Left
	W10128119	Right
22	13024803	Cover, Fan Shroud
23	13057901	Shroud, Evap.Fan
24	2169142	Fan, Evaporator
25	W10121318	Grommet (2)
26	W10128551	Motor, Evaporator
27	D7753903	Funnel, Drain (Incl. # 28 & 29)
28	M0500703	Seal
29	B8381501	Gasket
30	12002355	Thermistor
31	12815301	Cover, Thermistor
32	12990501	Screw (6)
33	12991603V	Screw
34	W10157765	Diverter, Air

Following Parts Not Illustrated

13014801 Harness, Lights
(Freezer)

FREEZER DOOR PARTS

For Models: MBL1956KES3, MBR1956KES3
(Stainless-LH) (Stainless-RH)

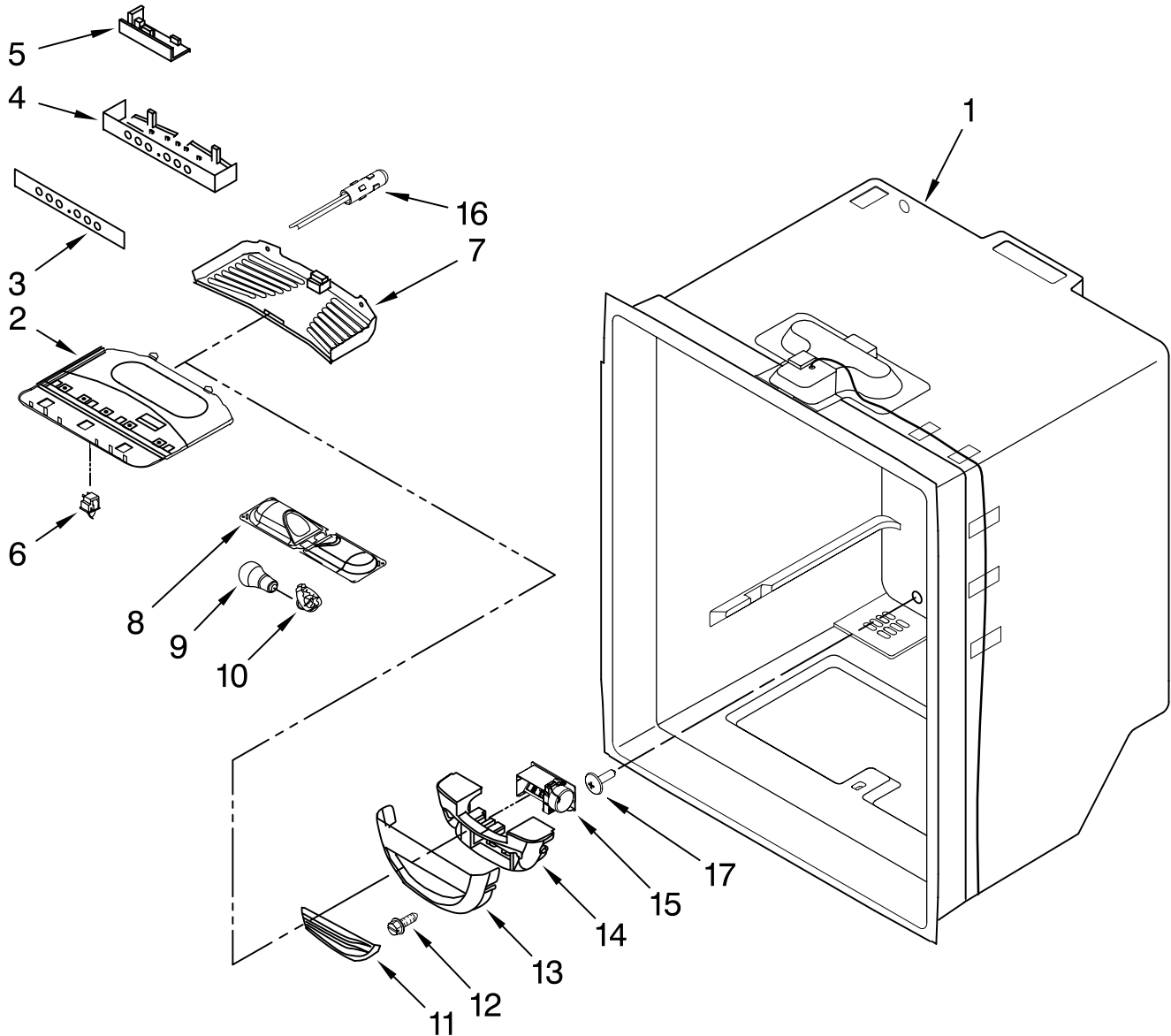


Illus. No.	Part No.	DESCRIPTION
1	13092206SQ	Door, Freezer Stainless Steel
2	W10197295	Handle, Door Stainless
3	W10164033	Gasket, Door Black
4	13001201	Handle-Mount-(2)
5	12991703	Screw-Flat-(2)

FOR ORDERING INFORMATION REFER TO PARTS PRICE LIST

REFRIGERATOR LINER PARTS

For Models: MBL1956KES3, MBR1956KES3
(Stainless-LH) (Stainless-RH)



Illus. No.	Part No.	DESCRIPTION
1		Liner (Not A Serviceable Part)
2	12806301	Bracket, Control and Lights
3	12816502	Overlay
4	12806406	Housing, Electronic Control
5	12868513	Board, Control
6	C3680310V	Switch, Light

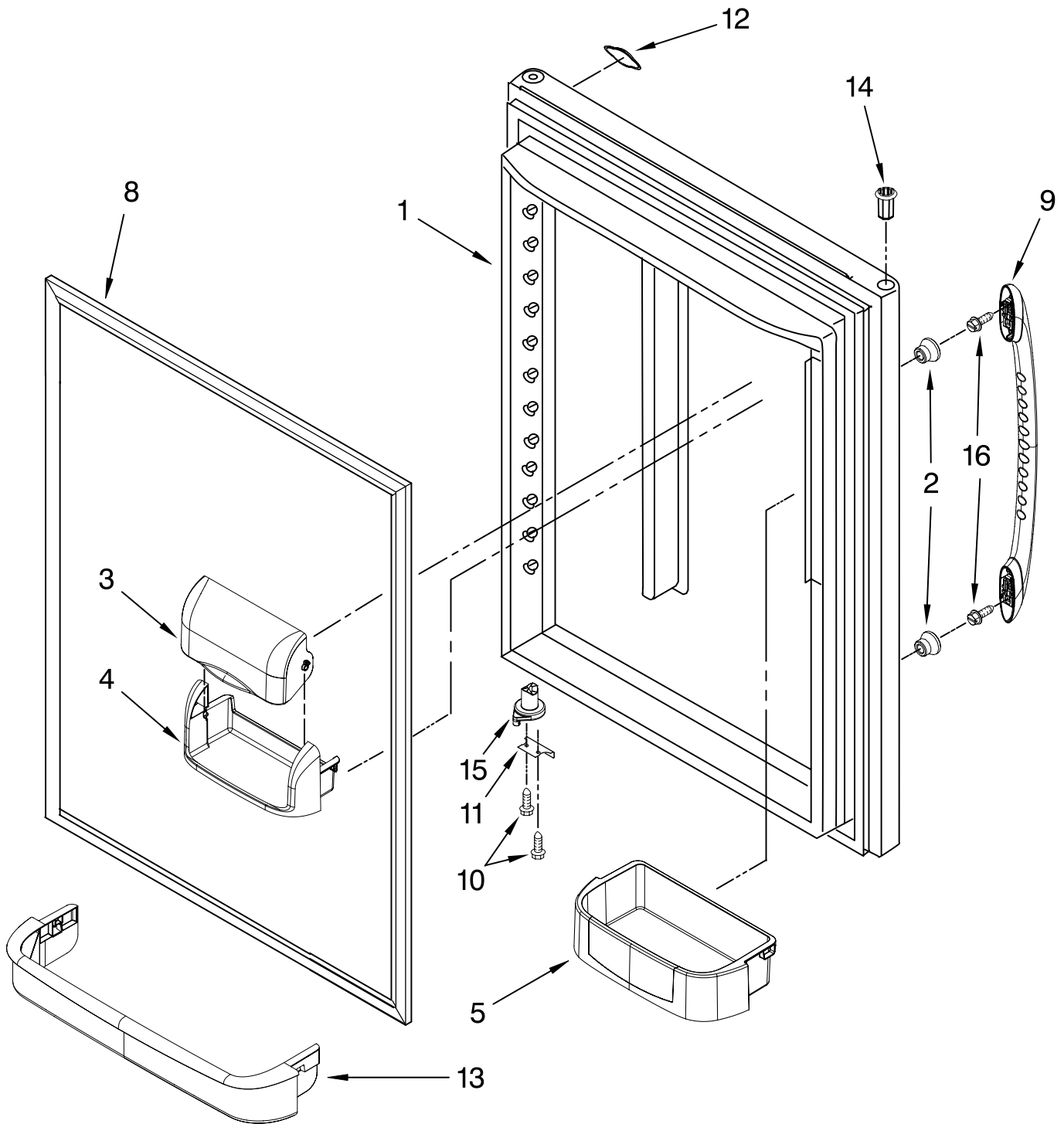
Illus. No.	Part No.	DESCRIPTION
7	12806501	Cover, Light
8	12806601V	Housing, Light
9	W10194422V	Bulb, Light (2)
10	12570701V	Socket, Light (2)
11	12806801	Insert, Damper Cover
12	12990604	Screw (2)
13	12806701	Cover, Damper
14	13012402	Insulation
15	W10196393	Control, Damper

Illus. No.	Part No.	DESCRIPTION
16	12002355	Thermistor
17	M0310343	Plug Button
Following Parts Not Illustrated		
	12868701	Harness, Controls (Refrigerator) (Includes # 16)

FOR ORDERING INFORMATION REFER TO PARTS PRICE LIST

REFRIGERATOR DOOR PARTS

For Models: MBL1956KES3, MBR1956KES3
(Stainless-LH) (Stainless-RH)



FOR ORDERING INFORMATION REFER TO PARTS PRICE LIST

REFRIGERATOR DOOR PARTS

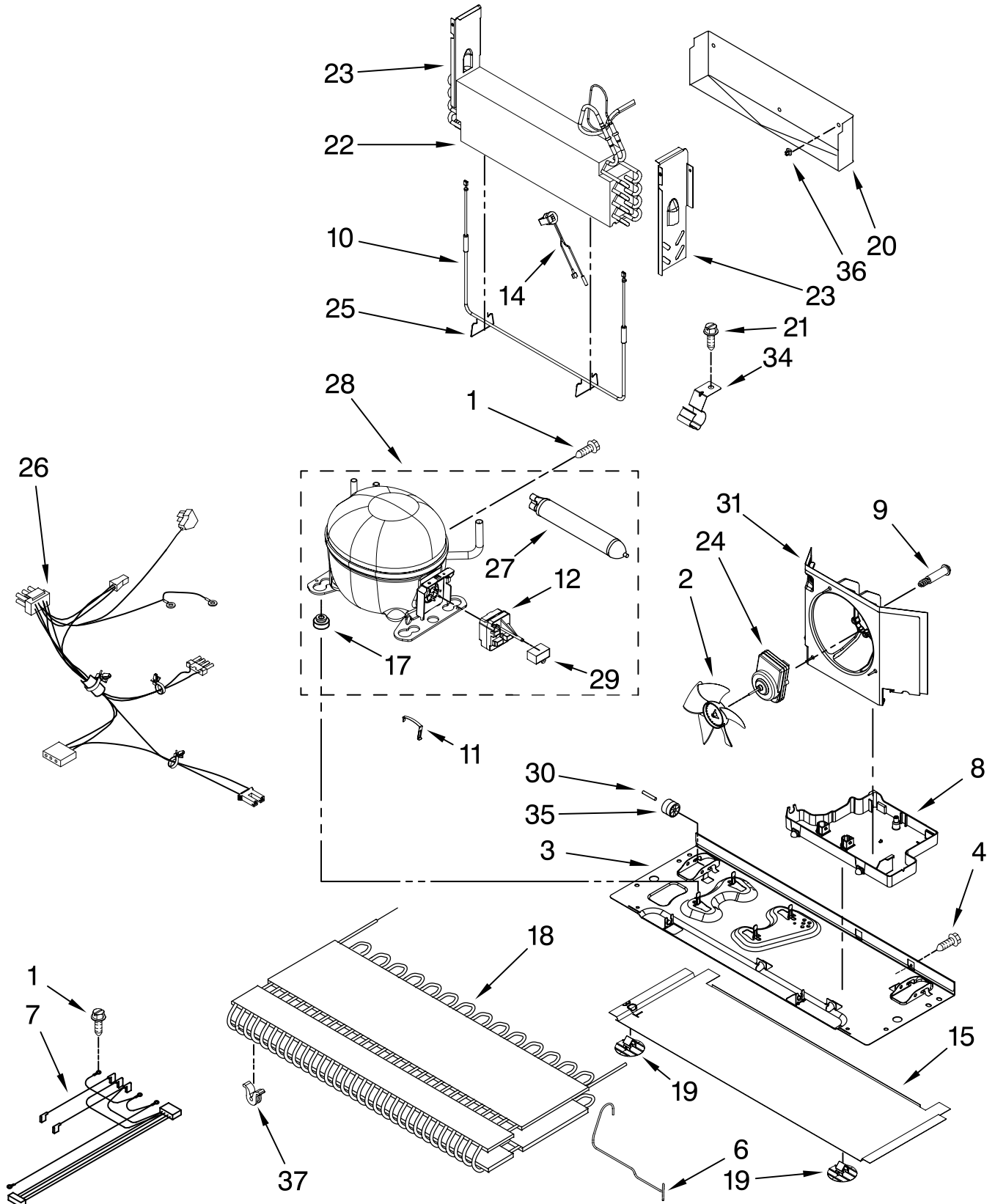
For Models: MBL1956KES3, MBR1956KES3
(Stainless-LH) (Stainless-RH)

Illus.	Part	
No.	No.	DESCRIPTION
1		Door, Refrigerator
	13023847SQ	Stainless Steel-LH
	13023846SQ	Stainless Steel-RH
2		Screw
	13001201	Handle-Mount-(2)
3	12804701SP	Door, Dairy
4	12369502SP	Tray, Dairy
5	12801902V	Bucket, Medium (2)
	12801901V	Bucket-Small (2)
8		Gasket, Door
	W10164031	Black
9		Handle, Door
	W10197295	Stainless
10	12990504	Screw
11		Stop, Door
	10447112	Black
12	W10170766	Nameplate
13	12690501	Retainer, Ref Door
14		Bushing (4)
	10961006B	Black
15		Closure, Door
	12028505B	Black
16	12991703	Screw-Flat-(2)

FOR ORDERING INFORMATION REFER TO PARTS PRICE LIST

UNIT PARTS

For Models: MBL1956KES3, MBR1956KES3
(Stainless-LH) (Stainless-RH)



FOR ORDERING INFORMATION REFER TO PARTS PRICE LIST

UNIT PARTS

For Models: MBL1956KES3, MBR1956KES3
(Stainless-LH) (Stainless-RH)

Illus. No.	Part No.	DESCRIPTION
1	12992301	Screw
2	12825803	Blade, Fan
3	W10210982	Basepan
4	12990511	Screw
6	W10217744	Tube, Discharge
7	W10224241	Harness, Evap Heater
8	W10189185	Pan, Drain
9	W10216919	Screw, Shoulder
10	12729127	Evaporator Heater
11	W10216075	Strap, Bale
12		Start Protect, Combo
	2320150	Production
	W10136414	Service
14	12639324SP	Thermostat, Defrost
15	W10206336	Extension, Basepan
17	10835903SP	Grommet (4)
18	W10135028	Condenser
19	W10206339	Fastener, Basepan Extension

Illus. No.	Part No.	DESCRIPTION
20	12225401WD	Tray, Drip
21	12990701	Screw
22	12726401	Evaporator
23		Dam
	12225702	Right Side
	12225602	Left Side
24	12825101	Motor, Fan
25	10428101	Clip, Heater
26	W10234024	Harness, Unit
27	W10143759	Drier
28	W10130129	Compressor Kit (Contains Items 12, 17, 27, & 29)
29	2264017	Capacitor
30	12477202	Axle, Roller
31	W10189184	Shroud
34	10547003	Clip, Drier
35	12477102	Roller (2)
36	10623002	Clip, Evap (2)
37	W10137529	Grommet (4)

Illus. No.	Part No.	DESCRIPTION
------------	----------	-------------

Following Parts Not Illustrated
and Optional Parts Not Included

978025	Valve, Access (1/4")
978026	Valve, Access (5/16")
978027	Valve, Access (3/8")
978028	Valve, Access (1/2")
978029	Valve, Access (5/8")
978030	Valve, Access (3/4")
876764	Valve, Access (3/16")

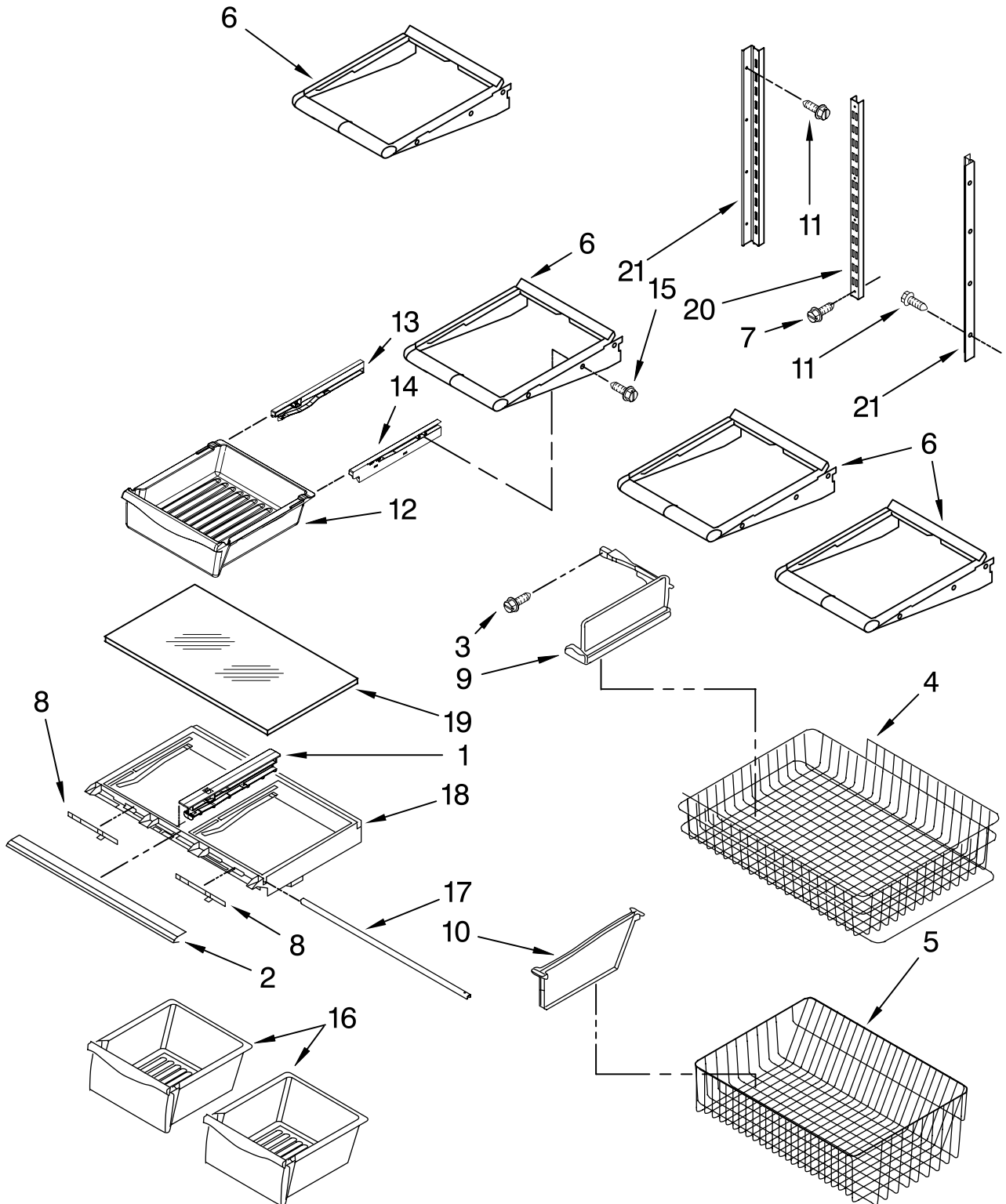
REFRIGERANT CHARGE

5.25 Ozs.
(R-134A)

FOR ORDERING INFORMATION REFER TO PARTS PRICE LIST

SHELF PARTS

For Models: MBL1956KES3, MBR1956KES3
(Stainless-LH) (Stainless-RH)



FOR ORDERING INFORMATION REFER TO PARTS PRICE LIST

SHELF PARTS

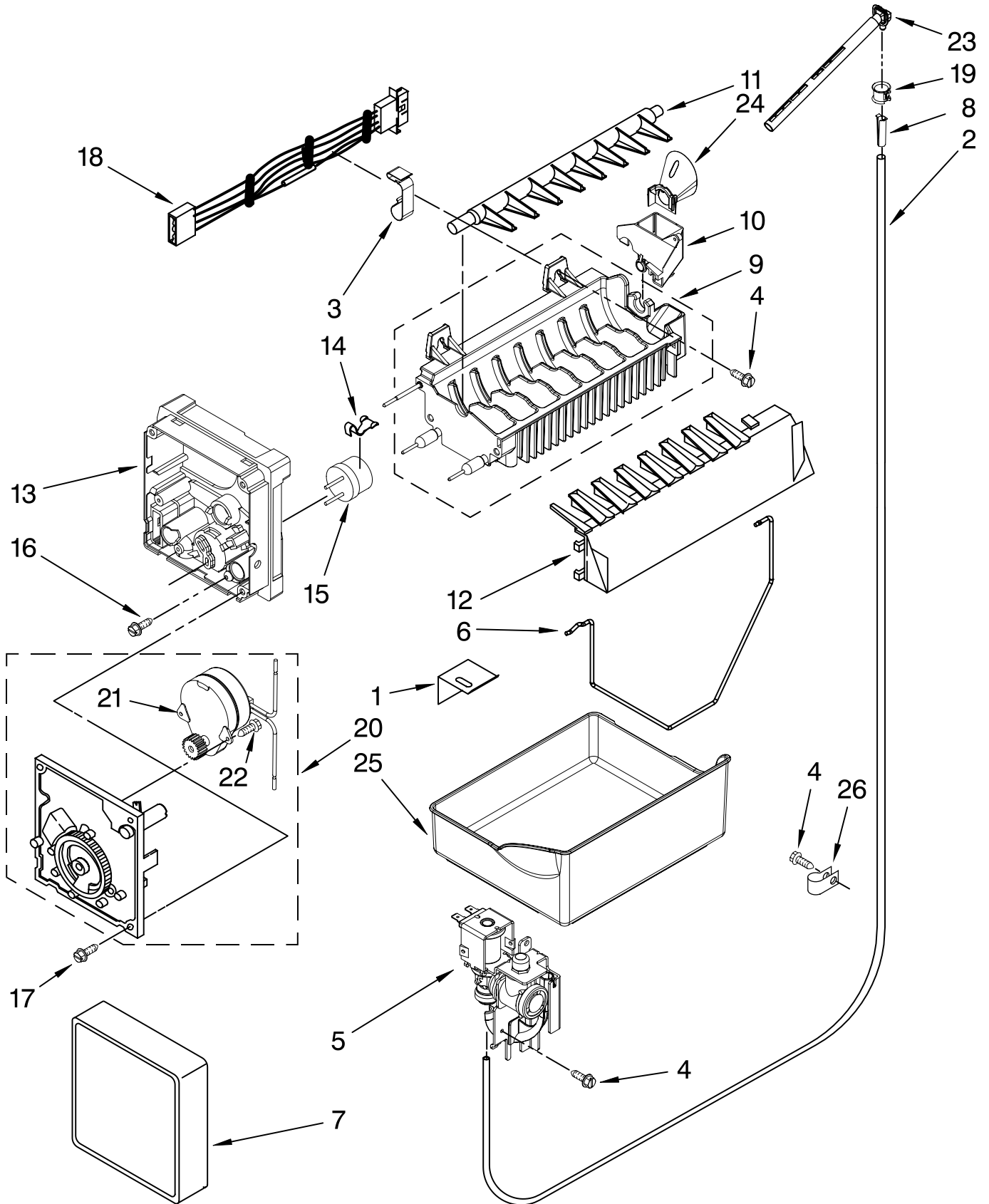
For Models: MBL1956KES3, MBR1956KES3
(Stainless-LH) (Stainless-RH)

Illus.	Part	
No.	No.	DESCRIPTION
1	12530701	Rail, Center Crisper
2	W10231339	Trim, Crisper
3	12990601	Screw
4	12896401	Basket, Freezer (Upper)
5	W10143560	Basket, Freezer (Lower)
6	12463608	Shelf (4)
7	12990515	Screw
8	12530805SP	Slide, Humidity Control
9	12693802	Divider, Basket (Upper)
10	12659608	Divider, Basket (Lower)
11	12990513	Screw
12	12656504SP	Pan, Deli
13	12656601SP	Glide, Left
14	12656602SP	Glide, Right
15	12990302SP	Screw, Glide (4)
16	12531305	Pan, Crisper
17	12227302WD	Brace, Crisper
18	12530901SP	Frame, Crisper
19	12204823	Glass, Crisper Cover
20	12435807	Ladder, Center
21	12710606	Ladder, Side

FOR ORDERING INFORMATION REFER TO PARTS PRICE LIST

ICEMAKER PARTS

For Models: MBL1956KES3, MBR1956KES3
(Stainless-LH) (Stainless-RH)



FOR ORDERING INFORMATION REFER TO PARTS PRICE LIST

ICEMAKER PARTS

For Models: MBL1956KES3, MBR1956KES3
(Stainless-LH) (Stainless-RH)

Illus. No.	Part No.	DESCRIPTION
1	2256086	Bracket, Ice Maker
2	B5705333SP	Tube, Plastic
3	10526702	Clamp
4	489276	Screw
5	W10219716	Valve-Inlet
6	12868001	Arm-Shut Off
7	12582501	Cover, Front
8	A3223101SP	Insert, Tube
9	W10122527	Mold & Heater Assembly (Also Order 542638)
10	628515	Cup Water fill
11	627843	Ejector
12	2182124	Ice Stripper
13	2194712	Support
14	2315522	Retainer
15	628397	Thermostat Order 542369 Cement Alumilastic)
16	8533917	Screw
17	489464	Screw
18	D7813011	Harness, Ice Maker
19	M0114003SP	Clip, Speed
20	W10223929	Module Assembly (Includes Items 21 & 22)
21		Motor (Not Available, Order #20)
22	489136	Screw
23	10463203SP	Elbow, Fill Tube
24	12918001	Funnel, Fill Tube
25	12695001V	Pan, Ice
26	M0108107	Clamp-Tube
100	W10190978	Complete Ice Maker

FOR ORDERING INFORMATION REFER TO PARTS PRICE LIST

OPTIONAL PARTS

For Models: MBL1956KES3, MBR1956KES3
(Stainless-LH) (Stainless-RH)

Illus. No.	Part No.	DESCRIPTION
------------	----------	-------------

PAINT, TOUCH-UP (1/2oz.)

72017 White
72032 Black
4392901 Biscuit

PAINT, PRESSURIZED SPRAY (12 oz.)

*350942 Primer, White
*350930 White
*350939 Black
*4392901 Biscuit

***Important:** The spray paint is not to be used where the paint may make contact with the door gaskets.

Illus. No.	Part No.	DESCRIPTION
------------	----------	-------------

PAINT, BULK (1 qt.)

799344 White (Uncut)
799344 Black (Uncut)
4392900 Biscuit (Uncut)

Miscellaneous

212643 Sealer, Gum (4 Feet)
479502 Tape, Vinyl (3/4 x 108")
505587 Sealer, Mastic (1 Qt.)
503695 Cork, Sealer (1/4 Pound)
542638 Grease, Silicone (1/2 Oz.)
542639 Cement, Alumilastic (1-1/4 Oz.)
799833 Kit, Evaporator Repair (Aluminum Epoxy)
833938 Kit, Terminal Connector

Illus. No.	Part No.	DESCRIPTION
------------	----------	-------------

TORX SCREW WRENCH

1117510 Torx Key

ACCESSORIES

31462 Cleaner, 10 oz. Stainless Steel

FOR ORDERING INFORMATION REFER TO PARTS PRICE LIST

Free Manuals Download Website

<http://myh66.com>

<http://usermanuals.us>

<http://www.somanuals.com>

<http://www.4manuals.cc>

<http://www.manual-lib.com>

<http://www.404manual.com>

<http://www.luxmanual.com>

<http://aubethermostatmanual.com>

Golf course search by state

<http://golfingnear.com>

Email search by domain

<http://emailbydomain.com>

Auto manuals search

<http://auto.somanuals.com>

TV manuals search

<http://tv.somanuals.com>