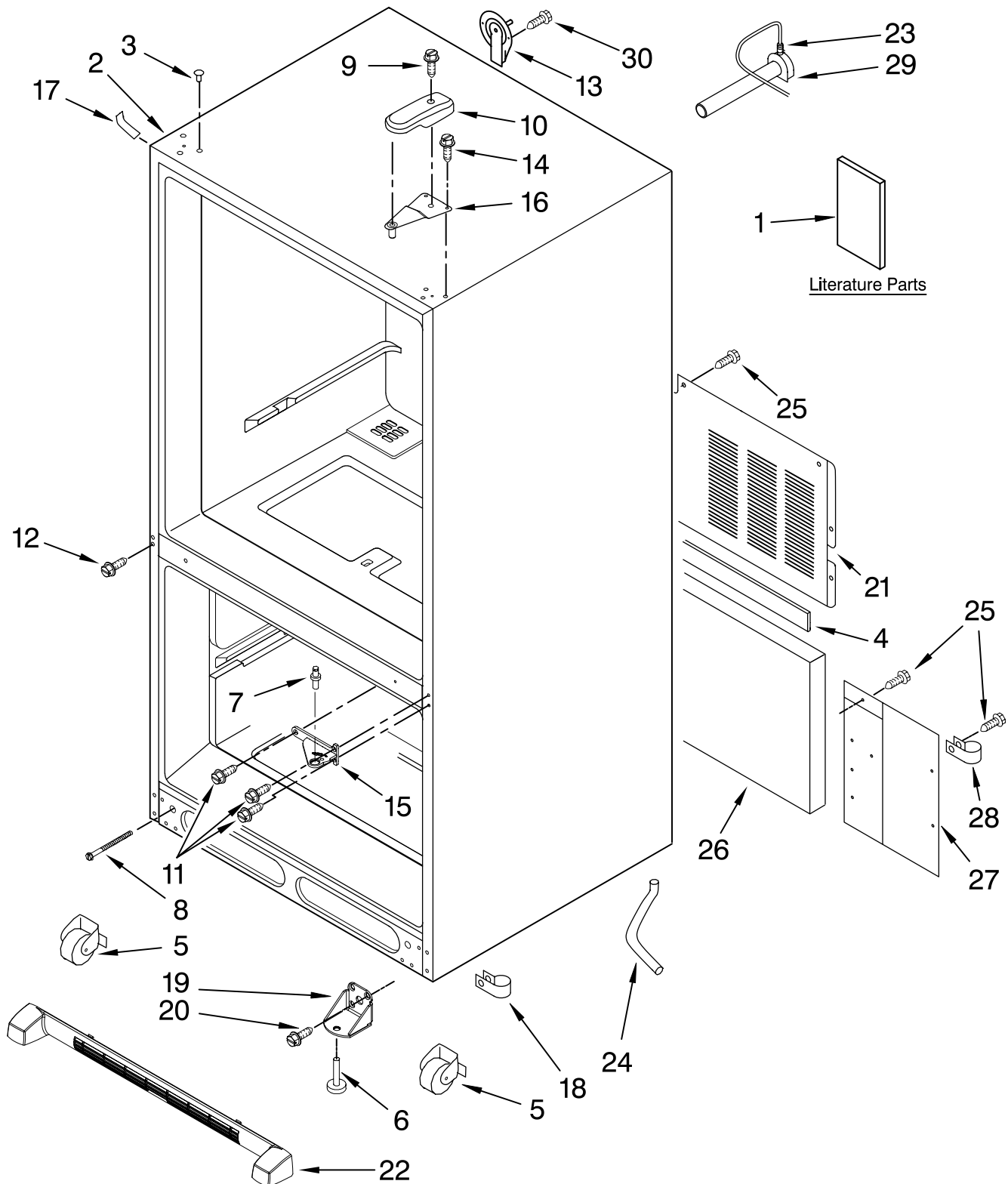


For Models: MBF1956KEB11, MBF1956KEQ11, MBF1956KEW11
(Black) (Bisque) (White)

The model(s) number shown may be different than what is printed on the model/serial tag of your product. The number(s) shown combine the model number and the first two digits of the serial number from the product tag.



FOR ORDERING INFORMATION REFER TO PARTS PRICE LIST

CABINET PARTS

For Models: MBF1956KEB11, MBF1956KEQ11, MBF1956KEW11

(Black)

(Bisque)

(White)

The model(s) number shown may be different than what is printed on the model/serial tag of your product. The number(s) shown combine the model number and the first two digits of the serial number from the product tag.

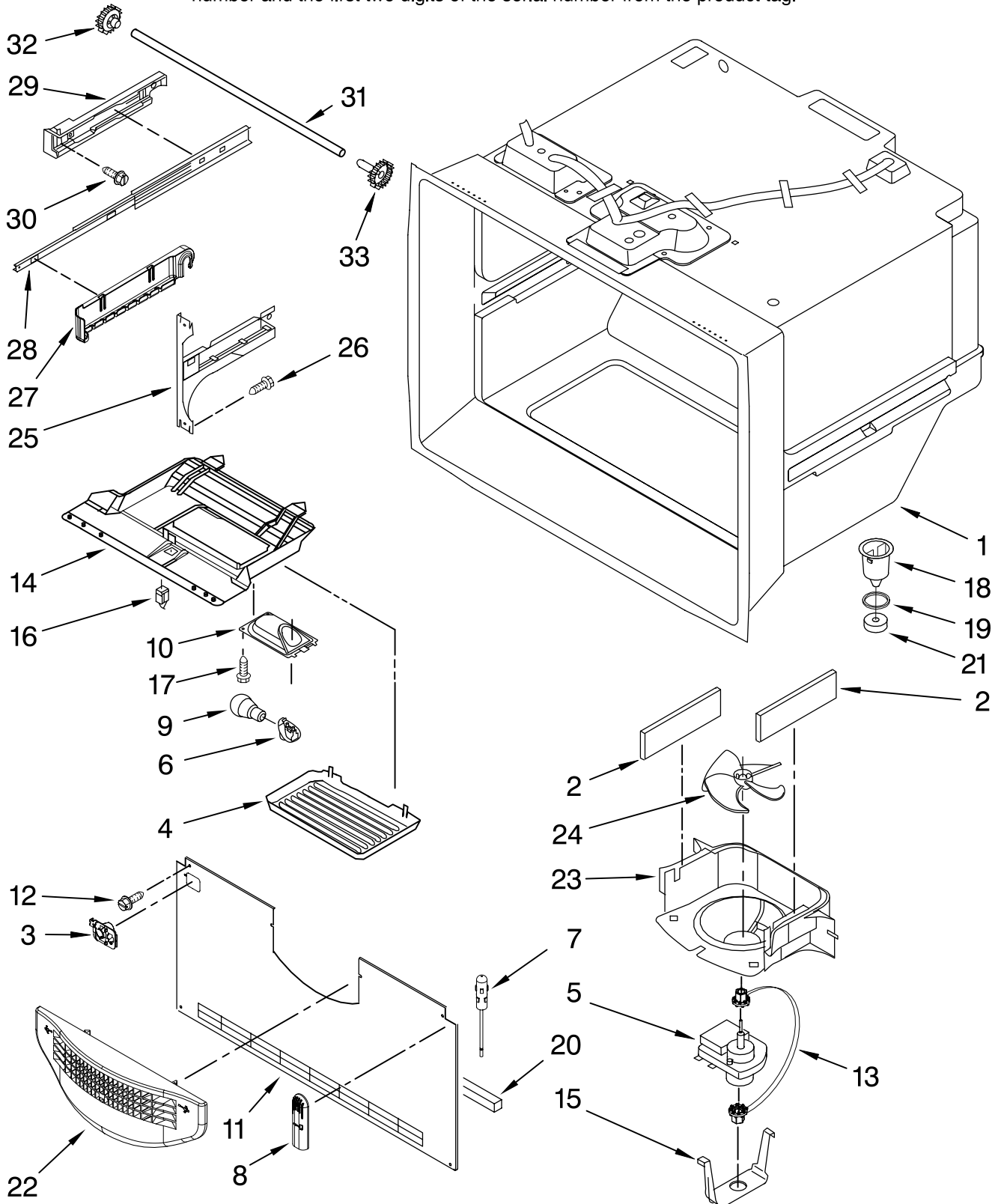
Illus. No.	Part No.	DESCRIPTION	Illus. No.	Part No.	DESCRIPTION	Illus. No.	Part No.	DESCRIPTION
1		Literature Parts	9	67006521	Screw	19	67007174	Bracket, Foot (2)
	W10137641	Use & Care Guide	10		Cover, Hinge	20	67006564	Screw (4)
	67007103	Energy Guide		67001014	White	21	67006101	Cover, Unit
	W10165418	Tech Sheet		67001012	Black	22		Grille, Toe
2		Cabinet (Not a Servicable Part)		67001013	Bisque		67006905	White
3		Plug, Button (3)	11	67005822	Screw		67006886	Black
	M0310729	White	12	67006473	Screw		67006904	Bisque
	M0310731	Black	13	67003331	Cover, Water Line	23	M0114003	Clip, Speed
	M0310738	Bisque	14	67006303	Screw (3)	24	67001066	Tube, Drain
4	B5759649	Gasket	15		Hinge, Center	25	67006425	Screw
5	67006118	Roller AssY. (2)		67006960	White	26	67003796	Fiber, Acoustic
6	67003868	Foot, Brake		67007043	Black	27	67001173	Cover, Water Valve
7	67006642	Pin, Center Hinge	16	12566604ED	Hinge, Top	28	M0108105	Clamp, Tube
8	67006611	Bolt, Adjusting (Front Roller)	17		Cover, Corner	29	W10137519	Elbow, Fill Tube
				67003484	White	30	67006287	Screw
				67003485	Black			
				67003486	Bisque			
			18	67001067	Clip, Drain			

FOR ORDERING INFORMATION REFER TO PARTS PRICE LIST

FREEZER LINER PARTS

For Models: MBF1956KEB11, MBF1956KEQ11, MBF1956KEW11
(Black) (Bisque) (White)

The model(s) number shown may be different than what is printed on the model/serial tag of your product. The number(s) shown combine the model number and the first two digits of the serial number from the product tag.



FOR ORDERING INFORMATION REFER TO PARTS PRICE LIST

FREEZER LINER PARTS

For Models: MBF1956KEB11, MBF1956KEQ11, MBF1956KEW11

(Black)

(Bisque)

(White)

The model(s) number shown may be different than what is printed on the model/serial tag of your product. The number(s) shown combine the model number and the first two digits of the serial number from the product tag.

Illus. No.	Part No.	DESCRIPTION
1		Liner (Not A Serviceable Part)
2	67001291	Gasket, Foam
3	67005874	Guide, Fill Tube
4	67003905	Cover, Light
5	67003636	Motor, Evaporator
6	Y12570701	Socket, Light
7	12002355	Thermistor
8	67003924	Cover, Thermistor
9	A0282812	Bulb, Light
10	67001035	Housing, Light
11	67005871	Cover, Evaporator
12	67006425	Screw
13	W10121318	Grommet
14	67003906	Module, Light
15	W10167028	Clip, Evap. Motor
16	67005653	Switch, Light
17	67006530	Screw
18	D7753903	Funnel, Drain
19	M0500703	Seal
20	67002286	Gasket, Bottom
21	B8381501	Gasket
22	W10175909	Grille, Fz Air
23	W10167023	Shroud, Evap.Fan
24	2169142	Blade, Fan (Evaporator)
25		Bracket, Door
	W10122147	Left
	W10122148	Right
26	67006473	Screw (8)
27		Cradle, Basket
	67004014	Left
	67004015	Right
28	W10120018	Slide, Drawer (2)
29		Adapter, Slide
	W10128118	Left
	W10128119	Right
30	67006406	Screw (6)
31	67004067	Shaft
32	12002497	Gear (Left) (Includes Item 33)
33	12002497	Gear (Right) (Includes Item 32)

Following Parts Not Illustrated

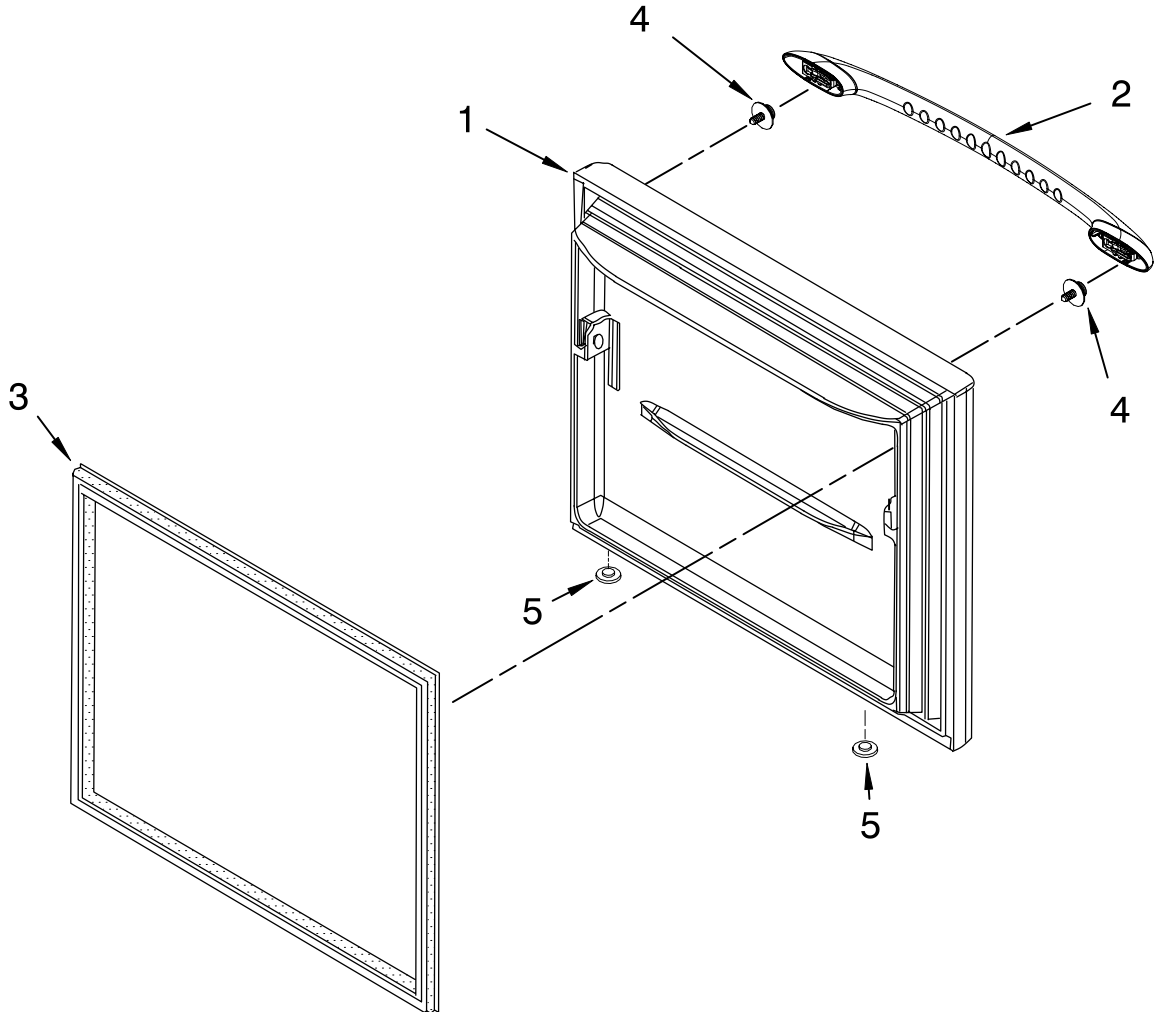
67006095 Harness, Lights
(Freezer)

FOR ORDERING INFORMATION REFER TO PARTS PRICE LIST

FREEZER DOOR PARTS

For Models: MBF1956KEB11, MBF1956KEQ11, MBF1956KEW11
 (Black) (Bisque) (White)

The model(s) number shown may be different than what is printed on the model/serial tag of your product. The number(s) shown combine the model number and the first two digits of the serial number from the product tag.



Illus. No.	Part No.	DESCRIPTION
1		Door, Freezer
	W10192430	White
	W10190236	Black
	W10192431	Bisque

Illus. No.	Part No.	DESCRIPTION
2		Handle, Door
	W10119651	White
	W10119653	Black
	W10119652	Bisque
3		Gasket, Door
	W10130150	White
	12683816B	Black

Illus. No.	Part No.	DESCRIPTION
4	12992902	Screw, Handle
5		Plug, Button (2)
	10712401	White
	67004838	Black

FOR ORDERING INFORMATION REFER TO PARTS PRICE LIST

REFRIGERATOR LINER PARTS

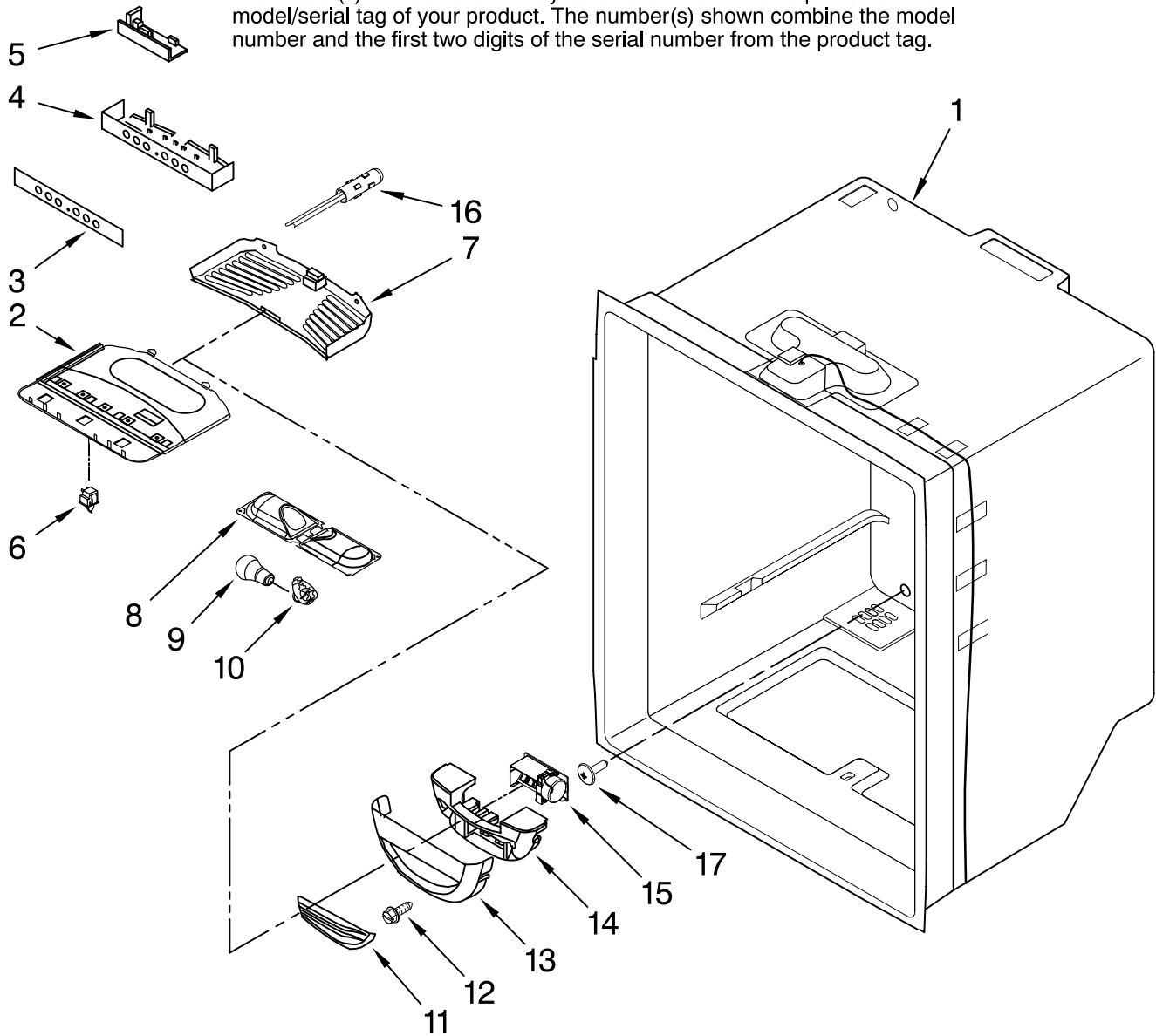
For Models: MBF1956KEB11, MBF1956KEQ11, MBF1956KEW11

(Black)

(Bisque)

(White)

The model(s) number shown may be different than what is printed on the model/serial tag of your product. The number(s) shown combine the model number and the first two digits of the serial number from the product tag.



Illus. No.	Part No.	DESCRIPTION
1		Liner (Not A Serviceable Part)
2	Y67003896	Module, Light
3	67004058	Overlay
4	67003898	Module, Control
5	W10165748	Board, Control (Incl Instr Sheet)
6	C3680310	Switch, Light
7	67003897	Cover, Light

Illus. No.	Part No.	DESCRIPTION
8	67003901	Housing, Light
9	A0282812	Bulb, Light (2)
10	Y12570701	Socket, Light (2)
11	67003900	Insert, Damper Cover
12	67006602	Screw
13	67003899	Cover, Damper
14	67006604	Insulation
15	W10127429	Control, Damper (Includes Harness)

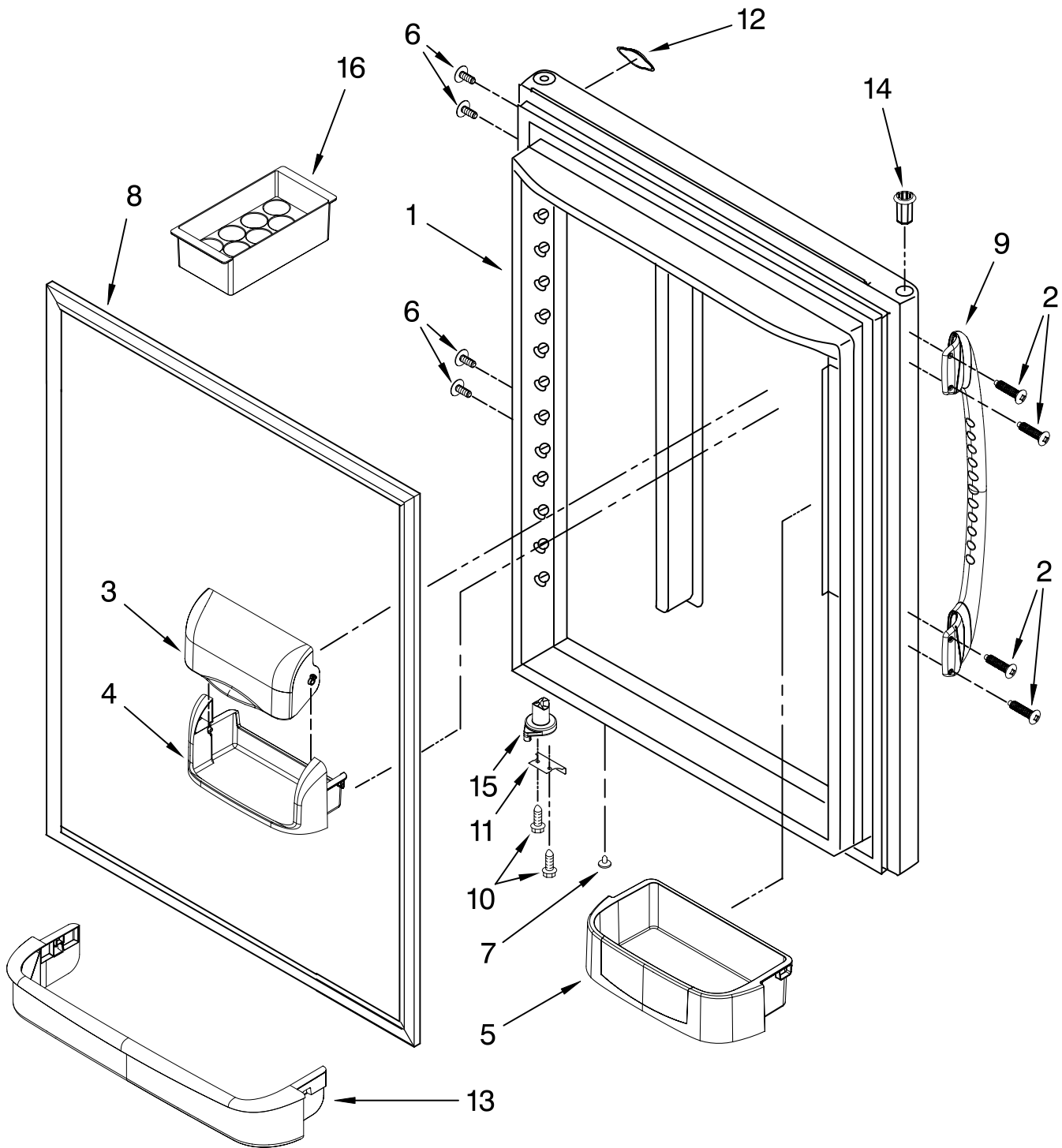
Illus. No.	Part No.	DESCRIPTION
16	12002355	Thermistor
17	M0310343	Plug Button White
Following Parts Not Illustrated		
	67004033	Harness, Controls (Refrigerator)

FOR ORDERING INFORMATION REFER TO PARTS PRICE LIST

REFRIGERATOR DOOR PARTS

For Models: MBF1956KEB11, MBF1956KEQ11, MBF1956KEW11
(Black) (Bisque) (White)

The model(s) number shown may be different than what is printed on the model/serial tag of your product. The number(s) shown combine the model number and the first two digits of the serial number from the product tag.



FOR ORDERING INFORMATION REFER TO PARTS PRICE LIST

REFRIGERATOR DOOR PARTS

For Models: MBF1956KEB11, MBF1956KEQ11, MBF1956KEW11
(Black) (Bisque) (White)

The model(s) number shown may be different than what is printed on the model/serial tag of your product. The number(s) shown combine the model number and the first two digits of the serial number from the product tag.

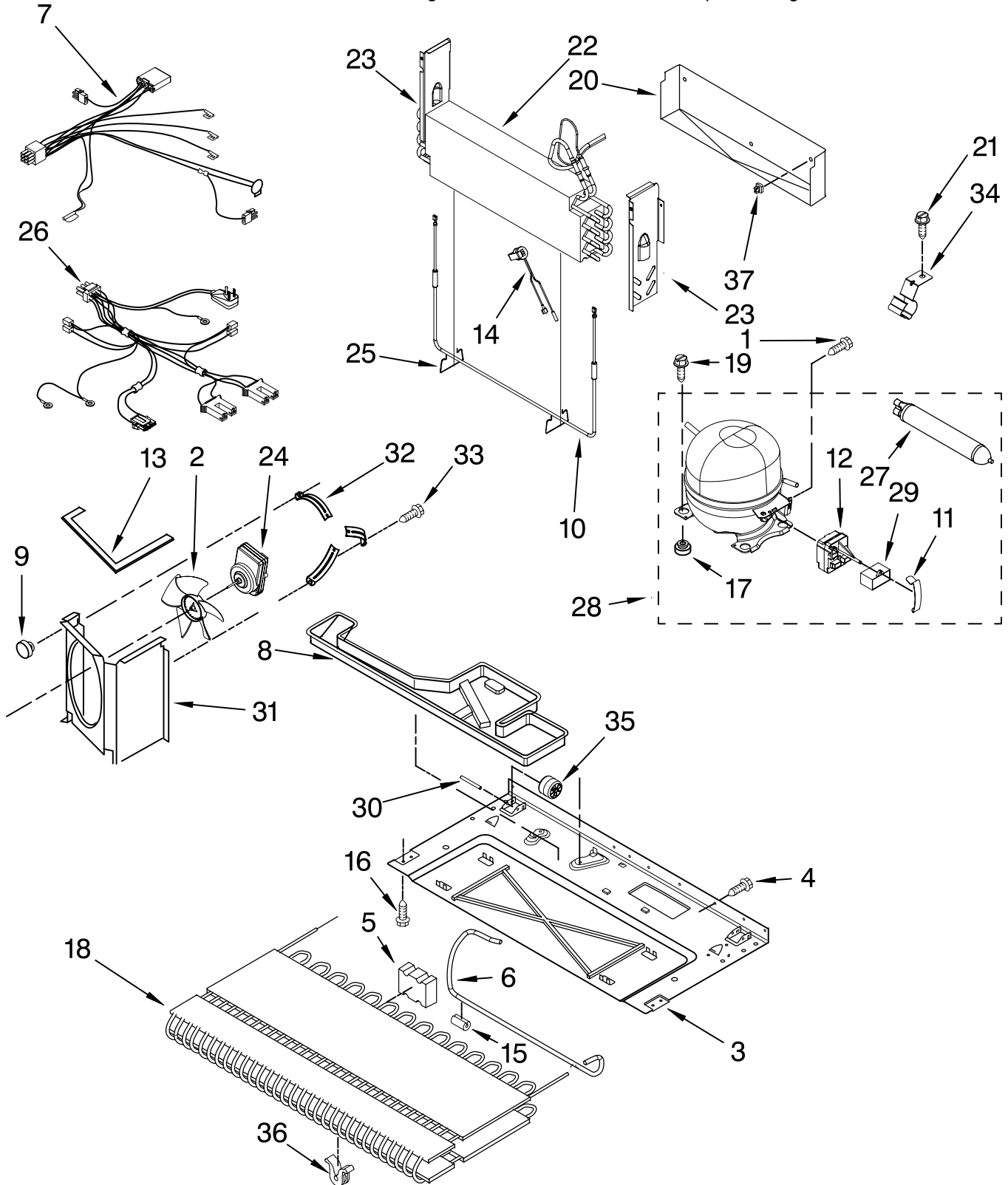
Illus. No.	Part No.	DESCRIPTION
1	67004039	White
	67004036	Black
	67004037	Bisque
2		Screw (4)
	67006668	White
	67006806	Black
	67004707	Bisque
3	67003637	Door, Dairy
4	67001279	Tray, Dairy
5		Bucket, Door
	67004041	Small (2)
	67004040	Medium (2)
6		Screw (4)
	12991103	White
	67007166	Black
	12991104	Bisque
7		Plug, Button (2)
	10712401	White
	67004838	Black
8		Gasket, Door
	W10130148	White
	12683815B	Black
9		Handle, Door
	67006119	White
	67006120	Black
	67006887	Bisque
10	67006287	Screw
11		Stop, Door
	67003779	White
	67003780	Black
	67003781	Bisque
12	67006439	Nameplate
13	67002505	Retainer, Ref Door
14		Bushing (4)
	67004977	White
	67004978	Black
15		Closure, Door
	67003638	White
	67003639	Black
16	67215-2	Tray, Egg

FOR ORDERING INFORMATION REFER TO PARTS PRICE LIST

UNIT PARTS

For Models: MBF1956KEB11, MBF1956KEQ11, MBF1956KEW11
(Black) (Bisque) (White)

The model(s) number shown may be different than what is printed on the model/serial tag of your product. The number(s) shown combine the model number and the first two digits of the serial number from the product tag.



FOR ORDERING INFORMATION REFER TO PARTS PRICE LIST

UNIT PARTS

For Models: MBF1956KEB11, MBF1956KEQ11, MBF1956KEW11

(Black)

(Bisque)

(White)

The model(s) number shown may be different than what is printed on the model/serial tag of your product. The number(s) shown combine the model number and the first two digits of the serial number from the product tag.

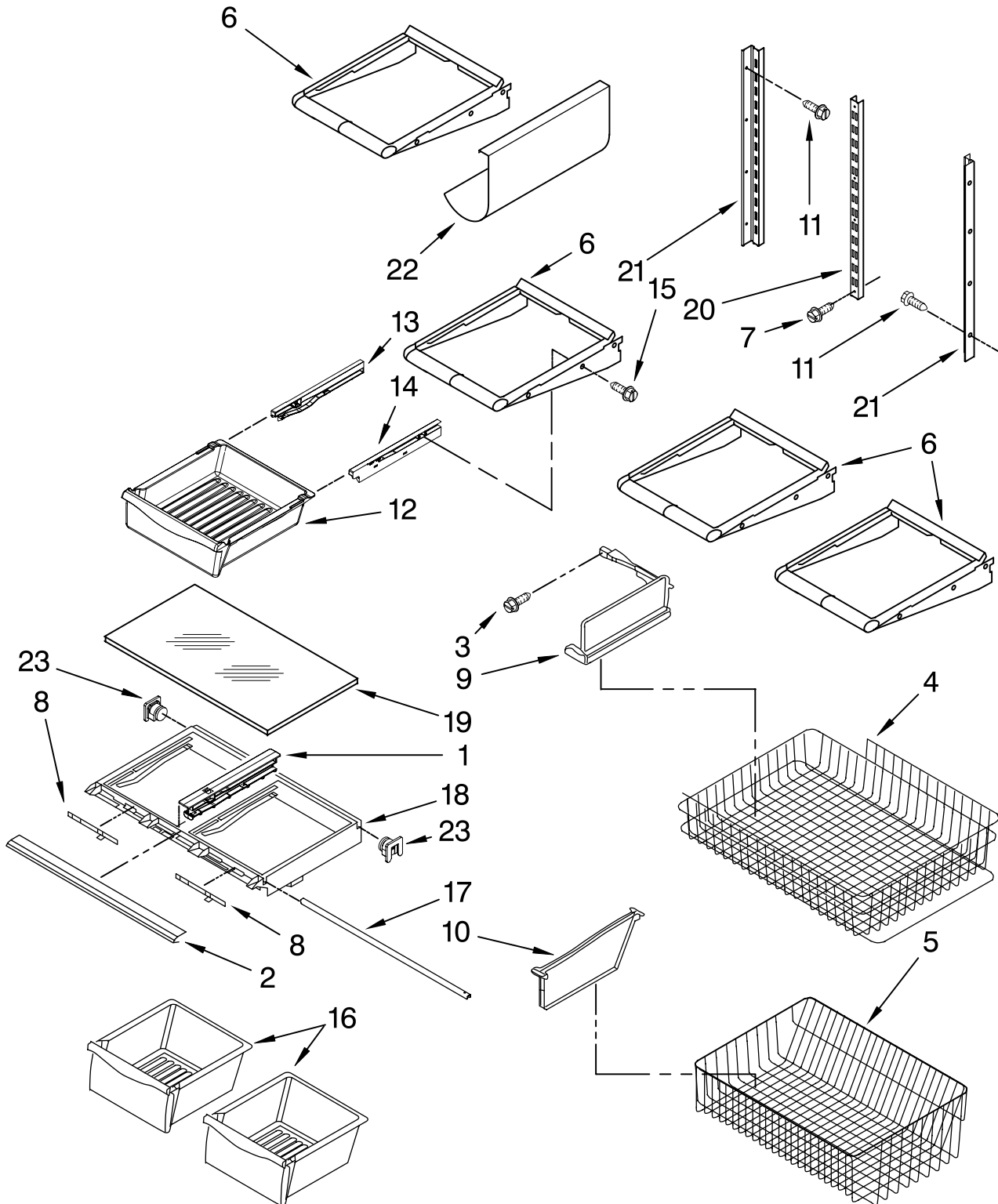
Illus. No.	Part No.	DESCRIPTION	Illus. No.	Part No.	DESCRIPTION	Illus. No.	Part No.	DESCRIPTION
1	67006433	Screw	23		Dam			
2	W10162928	Blade, Fan		67001084	Right Side			
3	67006914	Basepan		67001083	Left Side			
4	67006425	Screw	24	67004432	Motor, Fan			
5	67005491	Block, Condenser	25	10428101	Clip, Heater			
6	W10174591	Tube, Discharge	26	13060301	Harness, Unit with Power Cord			
7	W10119856	Harness, Evap. Heater	27	2317845	Drier			
8	67004713	Pan, Drain	28	W10130129	Compressor (Includes items 11,12,17,27,29)			
9	61004743	Grommet (3)	29	67005562	Capacitor			
10	67002135	Heater, Defrost	30	67006434	Axle, Roller (2)			
11	W10131991	Clip, Capacitor	31	W10158508	Shroud			
12	W10174592	Start Device	32	67004953	Bracket, Fan Motor			
13	61003210	Gasket	33	67004954	Screw			
14	W10165425	Thermostat, Defrost	34	10547003	Clip, Drier			
15	67005680	Grommet (2)	35	67005149	Roller (2)			
16	67006573	Screw	36	W10137529	Grommet, Cond. (4)			
17	W10169124	Grommet (4)	37	10623002	Clip, Evaporator			
18	67006133	Condenser						
19	67006432	Screw						
20	67001133	Tray, Drip						
21	67006737	Screw						
22	12002051	Evaporator Kit (Incl. Evap., Heat Shield, & Instr. Sheet)						
								<hr/> Following Parts Not Illustrated and Optional Parts Not Included <hr/>
								978025 Valve, Access (1/4") 978026 Valve, Access (5/16") 978027 Valve, Access (3/8") 978028 Valve, Access (1/2") 978029 Valve, Access (5/8") 978030 Valve, Access (3/4") 876764 Valve, Access (3/16")
								<hr/> REFRIGERANT CHARGE <hr/> 5.0 Ozs. (R-134A)

FOR ORDERING INFORMATION REFER TO PARTS PRICE LIST

SHELF PARTS

For Models: MBF1956KEB11, MBF1956KEQ11, MBF1956KEW11
(Black) (Bisque) (White)

The model(s) number shown may be different than what is printed on the model/serial tag of your product. The number(s) shown combine the model number and the first two digits of the serial number from the product tag.



FOR ORDERING INFORMATION REFER TO PARTS PRICE LIST

SHELF PARTS

For Models: MBF1956KEB11, MBF1956KEQ11, MBF1956KEW11
(Black) (Bisque) (White)

The model(s) number shown may be different than what is printed on the model/serial tag of your product. The number(s) shown combine the model number and the first two digits of the serial number from the product tag.

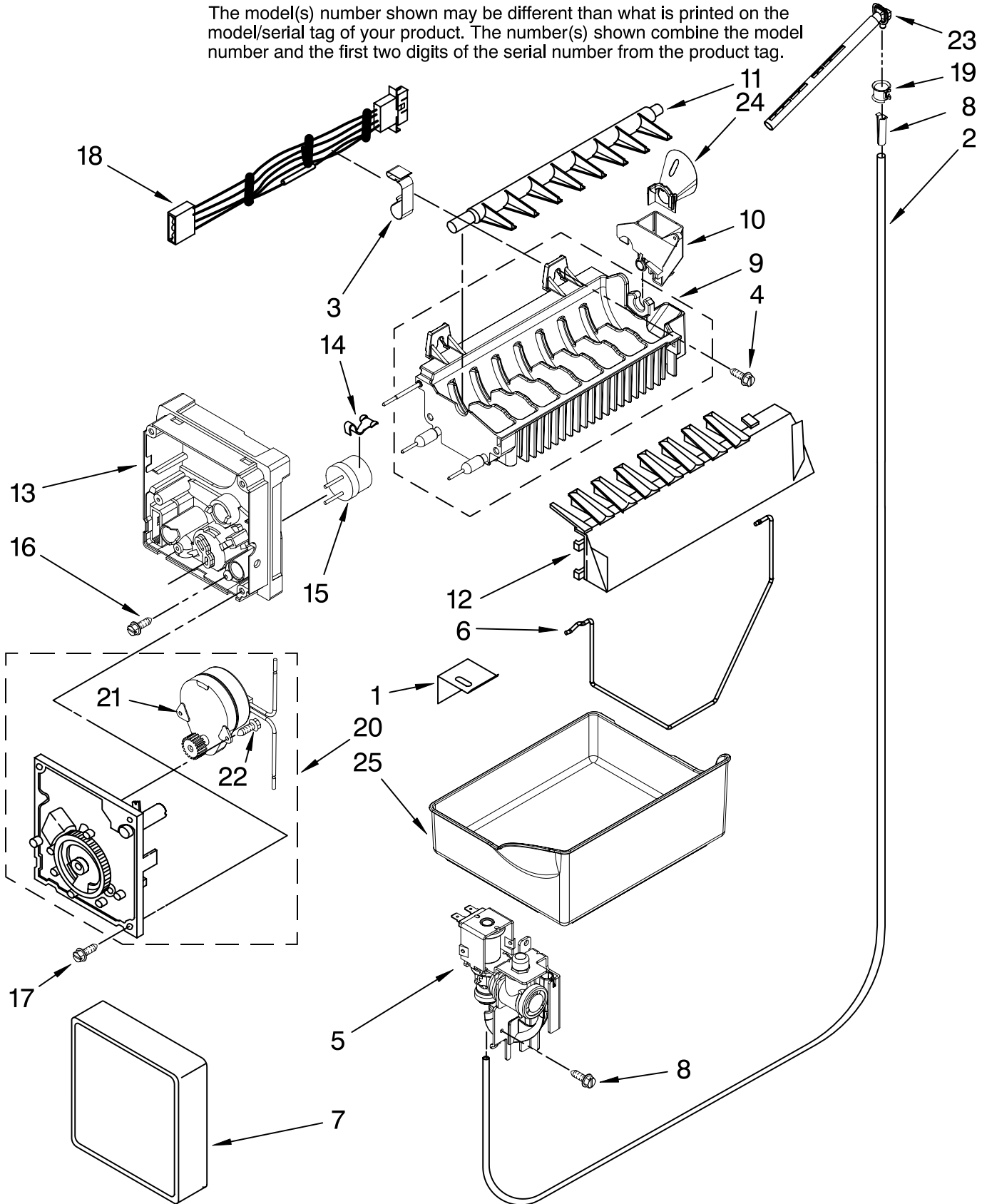
Illus. No.	Part No.	DESCRIPTION
1	67001057	Rail, Center Crisper
2	67003879	Trim, Crisper
3	67006608	Screw
4	67004985	Basket, Freezer (Upper)
5	67006023	Basket, Freezer (Lower)
6	67004062	Shelf (4)
7	67006360	Screw
8	67005864	Slide, Humidity Control
9	67004127	Divider, Basket (Upper)
10	67006644	Divider, Basket (Lower)
11	67006400	Screw
12	67001308	Pan, Deli
13	67001054	Glide, Left
14	67001053	Glide, Right
15	67006626	Screw, Glide (4)
16	67002569	Pan, Crisper
17	67001155	Brace, Crisper
18	67001153	Frame, Crisper
19	67006877	Glass, Crisper Cover
20	67001073	Ladder, Center
21	67001302	Ladder, Side
22	10448903	Rack, Bottle
23	12603701	Support, Crisper Frame

FOR ORDERING INFORMATION REFER TO PARTS PRICE LIST

ICEMAKER PARTS

For Models: MBF1956KEB11, MBF1956KEQ11, MBF1956KEW11
(Black) (Bisque) (White)

The model(s) number shown may be different than what is printed on the model/serial tag of your product. The number(s) shown combine the model number and the first two digits of the serial number from the product tag.



FOR ORDERING INFORMATION REFER TO PARTS PRICE LIST

ICEMAKER PARTS

For Models: MBF1956KEB11, MBF1956KEQ11, MBF1956KEW11
(Black) (Bisque) (White)

The model(s) number shown may be different than what is printed on the model/serial tag of your product. The number(s) shown combine the model number and the first two digits of the serial number from the product tag.

Illus. No.	Part No.	DESCRIPTION
1	2256086	Bracket, Ice Maker
2	67003729	Tube, Plastic
3	67003932	Clamp
4	489276	Screw
5	67003753	Valve-Inlet
6	67004028	Arm-Shut Off
7	67004710	Cover, Front
8	A3223101	Inert, Tube
9	W10122527	Mold & Heater Assembly (Also Order 542638)
10	628515	Cup Water fill
11	627843	Ejector
12	2182124	Ice Stripper
13	2194712	Support
14	2315522	Retainer
15	627985	Thermostat Order 542369 Cement Alumilastic)
16	8533917	Screw
17	489464	Screw
18	W10146389	Harness, Ice Maker
19	M0114003	Clip, Speed
20	626678	Module Assembly (Includes Items 21 & 22)
21	626684	Motor
22	489136	Screw
23	W10137519	Elbow, Fill Tube
24	67005603	Funnel, Fill Tube
25	67001255	Pan Ice
100	W10122519	Complete Ice Maker

FOR ORDERING INFORMATION REFER TO PARTS PRICE LIST

OPTIONAL PARTS

For Models: MBF1956KEB11, MBF1956KEQ11, MBF1956KEW11
(Black) (Bisque) (White)

The model(s) number shown may be different than what is printed on the model/serial tag of your product. The number(s) shown combine the model number and the first two digits of the serial number from the product tag.

Illus. No.	Part No.	DESCRIPTION	Illus. No.	Part No.	DESCRIPTION	Illus. No.	Part No.	DESCRIPTION
<u>PAINT, TOUCH-UP (1/2oz.)</u>			<u>PAINT, BULK (1 qt.)</u>			<u>Miscellaneous</u>		
	72017	White		799344	White (Uncut)		212643	Sealer, Gum (4 Feet)
	72032	Black		799344	Black (Uncut)		479502	Tape, Vinyl (3/4 x 108")
	4392901	Biscuit		4392900	Biscuit (Uncut)		505587	Sealer, Mastic (1 Qt.)
<u>PAINT, PRESSURIZED SPRAY (12 oz.)</u>							503695	Cork, Sealer (1/4 Pound)
	*350942	Primer, White					542638	Grease, Silicone (1/2 Oz.)
	*350930	White					542639	Cement, Alumilastic (1-1/4 Oz.)
	*350939	Black					799833	Kit, Evaporator Repair (Aluminum Epoxy)
	*4392901	Biscuit					833938	Kit, Terminal Connector
<p>*Important: The spray paint is not to be used where the paint may make contact with the door gaskets.</p>						<u>TORX SCREW WRENCH</u>		
							1117510	Torx Key
						<u>ACCESSORIES</u>		
							31462	Cleaner, 10 oz. Stainless Steel

FOR ORDERING INFORMATION REFER TO PARTS PRICE LIST

Free Manuals Download Website

<http://myh66.com>

<http://usermanuals.us>

<http://www.somanuals.com>

<http://www.4manuals.cc>

<http://www.manual-lib.com>

<http://www.404manual.com>

<http://www.luxmanual.com>

<http://aubethermostatmanual.com>

Golf course search by state

<http://golfingnear.com>

Email search by domain

<http://emailbydomain.com>

Auto manuals search

<http://auto.somanuals.com>

TV manuals search

<http://tv.somanuals.com>