



USER'S GUIDE



Congratulations on your purchase of a Maytag Performa™ refrigerator! Your satisfaction is very important to us, so please read this guide carefully. You will find instructions on the proper operation and maintenance of your new appliance.

Save time and money. If something should go wrong, we suggest consulting the "Before You Call" section of this book. It is designed to help you solve basic problems before consulting a servicer.

If you have questions, write us (include your model number and phone number) or call:

Maytag Appliances Sales Company
Attn: CAIRSM Center
P.O. Box 2370
Cleveland, TN 37320-2370
1-800-688-9900 USA
1-800-688-2002 CANADA
1-800-688-2080 USA TTY (for deaf, hearing impaired or speech impaired)
(Mon.-Fri., 8am-8pm Eastern Time)
Internet: <http://www.maytag.com>

Table of Contents

- Safety Instructions 1
- Installation 2
- Temperature Controls 3
- Looking Inside 4-5
- Ice Service 6-7
- Food Storage Tips 8
- Storing the Refrigerator,
Care & Cleaning 9
- Cleaning Chart 10
- Before You Call 11
- Warranty 12
- Guide de L'Utilisateur 13
- Guia del Usuario 26

For Future Assistance

Have complete model and serial number identification of your refrigerator. This is located on a data plate inside the refrigerator compartment on the upper front surface. Record these numbers below for easy access.

Model Number
Serial Number

Have proof of original date of purchase. Keep your sales slip, proof of original purchase date is needed for warranty service.

NOTE: In our continuing effort to improve the quality of our appliances, it may be necessary to make changes to the appliance without revising this guide.

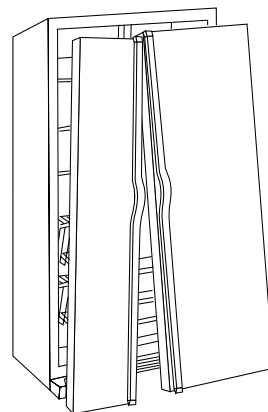
Important Safety Instructions

⚠ WARNING: When using your appliance, always follow basic precautions, including the following:

- Use the refrigerator only for its intended purpose.
- To prevent possibility of hazard due to electrical shock, never plug the refrigerator into a receptacle which has not been grounded adequately and in accordance with the local and national electrical codes. See ⚠ warning and grounding instructions below.
- Unplug the refrigerator before cleaning or replacing a light bulb.
- In case of power failure, minimize door openings. If the power failure is of a long duration, protect the food by placing blocks of dry ice on top of the packages or check with a local frozen foods locker about temporary storage. Frozen foods which have thawed completely should not be refrozen and should be discarded.
- Any electrical service cord that becomes frayed or damaged should be immediately repaired or replaced. Never unplug your appliance by pulling on the power cord.
- Your refrigerator should not be operated in the presence of explosive fumes.
- Children should not climb, hang or stand on the shelves of this refrigerator.

Important: Child entrapment and suffocation are not problems of the past. Junked or abandoned refrigerators are still dangerous... even if they will sit for "just a few days." If you are getting rid of your old refrigerator, please follow the instructions below to help prevent accidents.

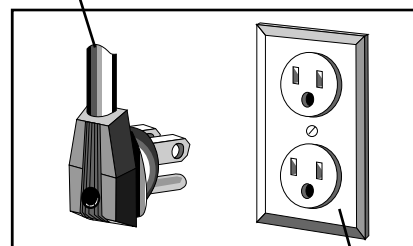
- Take off the doors.
- Leave the shelves in place so that children may not easily climb inside.



⚠ WARNING — This appliance is designed to operate on a normal 115 volt, 15 amp, 60 cycle line. There should be a separate, grounded circuit serving this appliance only. Do not use an extension cord. Do not use any device that will alter the electrical performance of this appliance.

This appliance is equipped with a three-pronged grounding plug for your protection against possible electrical shock hazards. It must be plugged into a grounding receptacle. Where a standard two-prong wall receptacle is encountered, it is the personal responsibility and obligation of the customer to have it replaced with a properly grounded three-prong wall receptacle. Do not under any circumstances, cut or remove the third (ground) prong from the power cord. Do not use an adapter plug.

Power supply cord with 3-prong grounding plug.



Grounding type wall receptacle

Installation

Your new refrigerator was packed carefully for shipment. Remove and discard shelf packing clips (if used) located just above each shelf where they hook onto the frame. To remove plastic clips wiggle the clips sideways and pull straight out.

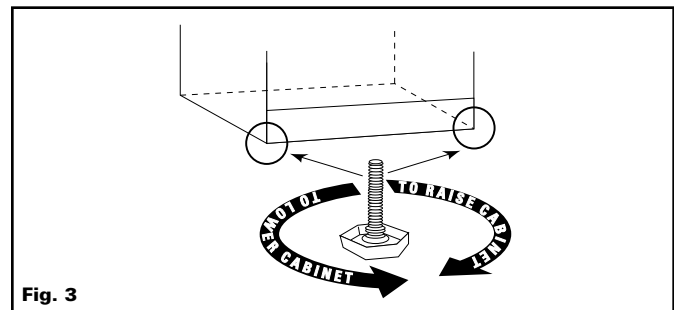
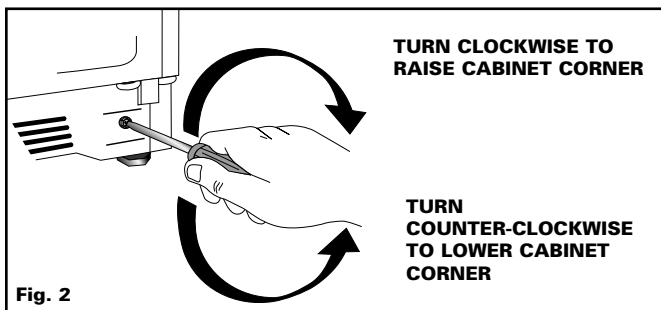
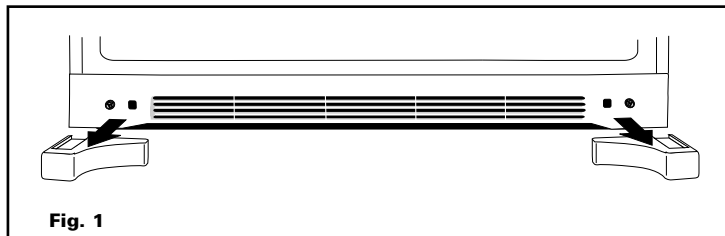
Location

- Allow for a free flow of air through the front base grille.
- Install the refrigerator where the room temperature will not go below 55° F. With temperatures below 55°, the refrigerator will not run frequently enough to maintain proper temperature in the freezer.
- Allow a minimum 1/2" clearance on the sides, top and back for ease of installation. If refrigerator is placed with either door hinge side against a wall, you may want to allow additional space so the door can be opened wider.
- Use caution when installing the unit on vinyl or hardwood floors so as not to mark or otherwise damage the flooring. A piece of plywood, a rug or other material should be used to protect the floor while positioning the unit.

Leveling

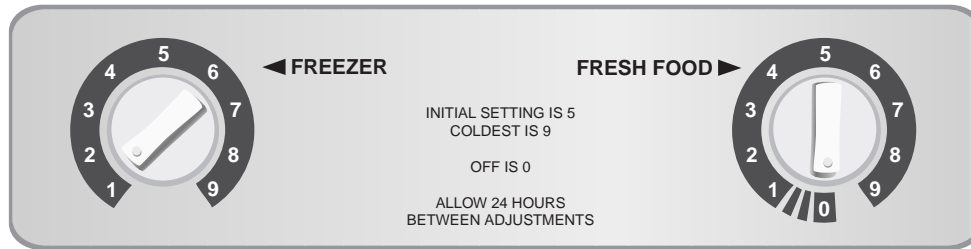
To enhance appearance and to maintain optimal performance, the refrigerator must be level. Your refrigerator has wheels which can be adjusted for leveling:

- Remove the lower hinge covers (see fig. 1). To do this, grasp each cover near the hinge and apply pressure. The attachment tabs will snap out, allowing removal of the covers.
- Adjust the wheels with a screwdriver (see fig. 2).
- To lock the cabinet in place, turn down both leveling/lock feet, located near the front wheels (see fig. 3). Rear leveling/lock feet are not required.
- Replace the hinge covers.
- If the floor is not level and it is necessary to raise the rear of the cabinet, we suggest rolling the rear wheels onto a piece of plywood or other shim material.



Temperature Controls

Your refrigerator has two temperature controls. These controls are located at the top rear of the fresh food compartment.



To adjust the controls, rotate the knobs to the desired settings.

Step 1

Initial Temperature Control Settings

- The fresh food control has settings from 1 (warmest) to 9 (coldest). Initially set this control on 5.
- The freezer control has settings from 1 (warmest) to 9 (coldest). Initially set this control on 5.
- It is recommended that the coldest freezer setting (9) be used for short periods only.
- Let the refrigerator run at least 8-12 hours before adding food.

Your refrigerator will run continuously for several hours when you first start it. This is normal

Step 2

Adjusting the Temperature Controls

- 24 hours after adding food, you may decide that one or both compartments should be colder or warmer. If so, adjust the control(s) as indicated in the table below.
- Except when starting the refrigerator, do not change either control more than one number at a time.
- Allow 24 hours for temperatures to stabilize before resetting.
- Changing either control will have some effect on the temperature of the other compartment.

Temperature Control Guide

Fresh Food Compartment too Warm	Turn fresh food control to next higher setting.
Fresh Food Compartment too Cold	Turn fresh food control to next lower setting.
Freezer too Warm	Turn freezer control to next higher setting.
Freezer too Cold	Turn freezer control to next lower setting.
Turn Refrigerator Off	Set fresh food control to 0 (Off).

NOTE: Turning the fresh food control to 0 stops cooling in BOTH compartments. It does not shut off power to the refrigerator.

No Defrosting

Your refrigerator is designed to defrost automatically.

NOTE: During the automatic defrost cycle, you may notice a red glow/reflection in the vents on the back wall of the freezer compartment and you may hear the sound of water droplets coming into contact with the defrost heater. This is normal during the defrost cycle.

Warm Cabinet Surfaces

At times, the front of the refrigerator cabinet may be warm to the touch. This is a normal occurrence that helps prevent moisture from condensing on the cabinet. The condition will be more noticeable when you first start the refrigerator, during hot weather and after excessive or lengthy door openings.

Looking Inside

Shelves

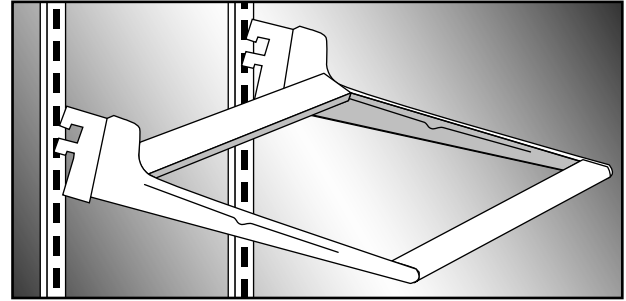
The **Tempered Glass Cantilever Shelves** in your refrigerator are adjustable, allowing you to customize the interior to meet your food storage needs.

To remove a shelf:

- unload
- slightly lift up the rear of the shelf
- pull the shelf straight out

To lock the shelf into another position:

- tilt up the front edge of the shelf
- insert the hooks into the desired frame openings
- let the shelf settle into place



WARNING — Never attempt to adjust a shelf that is loaded with food.

The **Freezer Shelves** rest on support rails molded into the wall of the freezer. Select models offer freezer shelves that slide forward for easier access to items at the rear of the shelf.

To remove the shelf:

Completely unload the shelf and lift straight up. Tilt the shelf sideways and pull it straight out. To replace, reverse the above procedure.

The **freezer basket or drawer** (style will vary by model) slides out for more convenient access to the frozen foods. The basket or drawer rests and slides on support rails molded into the wall of the freezer.

To remove a freezer basket:

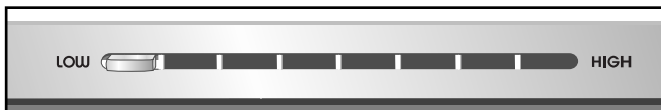
Slide out until it stops. Lift the front edge and continue sliding forward until out. To replace, line the basket or drawer up with the support rails, lift the front edge slightly, and slide it into place.

Storage Drawers

The **Crisper** provides ideal storage for fruit and vegetables. There is a humidity control located on the crisper shelf above the crisper drawer.

When storing fruit, slide the crisper control to the left (LOW) to provide lower humidity conditions in the drawer.

When storing vegetables, slide the crisper control to the right (HIGH) to provide higher humidity conditions in the drawer.



To remove the crisper drawer for cleaning:

- pull out the crisper until it stops
- tilt the drawer front up and pull it out

To replace the crisper drawer:

- align the drawer in the tracks
- lift the drawer front and slide in

For best results, keep the crisper tightly closed.

The Crisper Shelf Top serves as the lower refrigerator shelf.

To remove the crisper shelf:

- lift the front edge of the shelf
- pull the shelf straight out

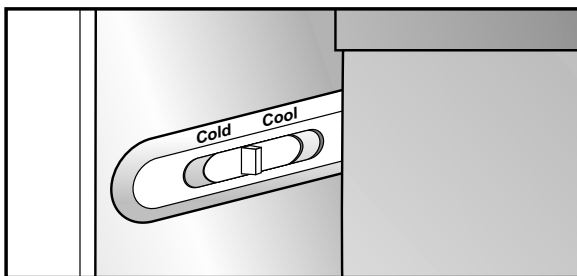
To replace the crisper shelf:

- set the rear bars on the support
- push the shelf back until the front edge can be lowered into place

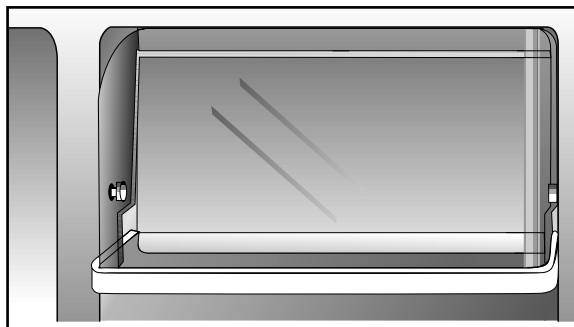
Looking Inside

The **VariTemp Drawer** (select models) is designed to provide a short term storage area for fresh meats, cheeses and luncheon meats.

The temperature control for this drawer is located on the left side wall of the refrigerator, near the front of the drawer. The "cool" setting maintains a temperature within the drawer consistent with the surrounding fresh food compartment. To achieve a lower temperature within the drawer, slide the control towards the "cold" setting. A lower temperature within the drawer is recommended when storing fresh meat, poultry or fish.

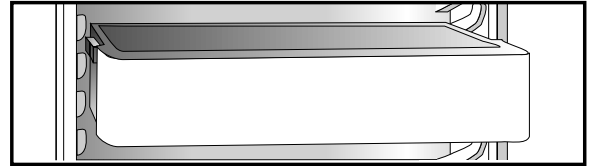


The **Dairy Compartment** (select models), located in the refrigerator door, features extra deep storage for butter and cheeses. Some models are equipped with a butter dish, which is found in this compartment.

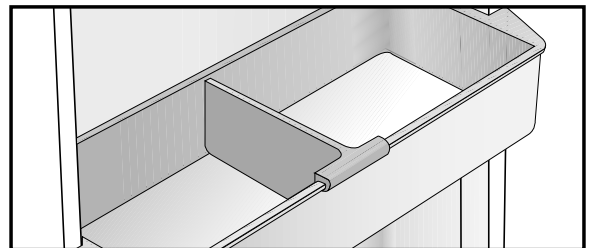


The **Removable Door Bins**, (select models) are designed to accommodate gallon-plus sized containers. They are adjustable and easily removed.

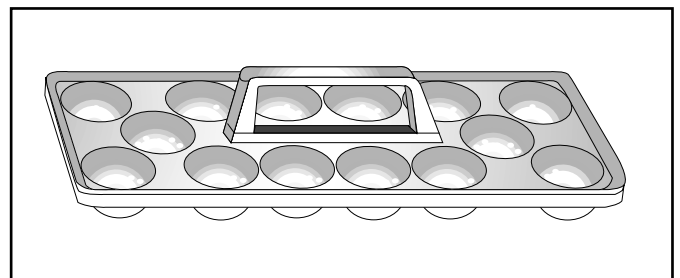
To remove: Lift the bin up until it clears the retainers on the door liner, then pull the bin straight out. Reverse the above procedure to replace the bin.



Package Dividers, (select models) fit in refrigerator and freezer door shelves to secure bottles and other containers in place when the door is opened or closed. Package Dividers are adjusted by sliding side to side.



The **Egg Tray** (style may vary) holds a "dozen-plus" eggs. It can be removed to be washed or carried to a work area.



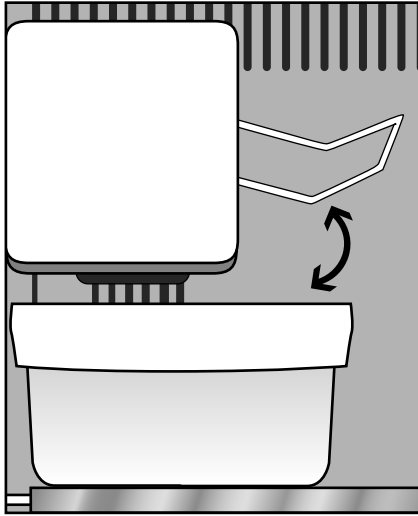
Energy Saving Tips

- Locate the refrigerator away from heat producing appliances such as the range or dishwasher, heat vents and direct sunlight.
- Level the refrigerator and do not block ventilation around the front grille.
- Let hot dishes cool slightly before putting into the refrigerator or freezer.
- Cover liquids.
- Keep the freezer full to near capacity so less cold air will escape during door openings. When the freezer is less than two-thirds full, place milk cartons half full of water in the freezer.
- Wipe moisture from the outside of containers before placing them into the refrigerator.
- Avoid opening the doors too often.

Ice Service

Automatic Ice Maker

The water inlet tubing assembly required to complete the water connection to the water valve is located in a bag inside the refrigerator. Connect the ice maker to the water supply as instructed in the separate instructions furnished with the refrigerator.



- After your refrigerator has been hooked up to the water supply, move the wire lever arm into the down position. This will start its operation. The ice maker will fill with water when the freezer reaches the proper temperature.
- It may be 8 to 12 hours before the ice maker furnishes any usable ice cubes. The first one or two batches will probably contain undersized and irregular cubes because of air in the supply line.
- The initial batch may also contain impurities from the new water supply piping. Therefore, all cubes from the first two or three batches should be discarded.
- When the ice cubes are ejected it is normal for several cubes to be joined together at the ends. They can easily be broken apart. The ice maker will continue to make ice until the supply of ice cubes raises the wire lever arm, shutting the ice maker off.
- Certain sounds may accompany the various cycles of the ice maker. The motor may have a slight hum, the cubes will rattle as they fall into an empty storage pan and the water valve may click or “buzz” occasionally.
- If the ice is not used frequently, the ice cubes will become cloudy, shrink, stick together and taste stale. Empty the ice storage bin periodically and wash it in lukewarm water. Be sure to dry the bin before replacing it.

To remove the ice bin:

- Pull down on lower back edge of the Automatic Dispenser bin front and pull it straight out. To replace the bin, align its bottom rails to the corresponding shelf grooves and push it straight back until it stops and latches. Make sure the tabs, at the back of the bin, that turn the spiral auger are positioned between the prongs from the auger motor. To avoid the ice maker dumping ice while the bin is removed, turn the ice maker off by lifting the wire lever.
- Turn the ice maker on by lowering the wire lever arm.
- Beverages and foods should *not* be placed in the ice storage bin for quick chilling. These items can block the wire lever arm, causing the ice maker to malfunction.
- Turn off (arm up) the ice maker when the water supply is to be shut off for several hours.

For Your Safety

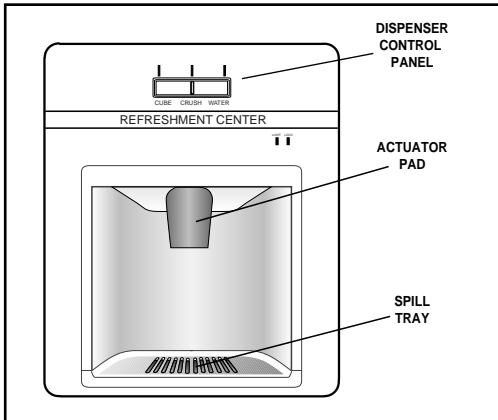
Do not place fingers or hands on the automatic ice making mechanism while the refrigerator is plugged in. This will help protect you from possible injury. It will also prevent interference with moving parts of the ejector mechanism and the heating element that releases the cubes.

Under certain rare circumstances, ice cubes may be discolored, usually appearing with a green-bluish hue. The cause of this unusual discoloration can be a combination of factors such as certain characteristics of local waters, household plumbing and the accumulation of copper salts in an inactive water supply line which feeds the ice maker.

Continued consumption of such discolored ice cubes may be injurious to health. If such discoloration is observed, discard the ice cubes and contact your dealer to purchase and install a water line filter.

Ice and Water Service

Automatic Ice and Water Dispenser

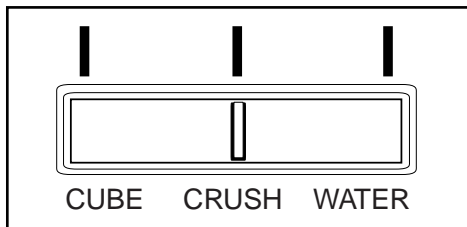


Dispensing Water and Ice

To dispense ice or water, position a glass against the top portion of the actuator pad and press. Hold the glass high in the dispenser opening to avoid spills.

To stop dispensing, release the pressure on the actuator pad and hold the container in position momentarily to catch the last pieces of ice or the last drops of water. The ice delivery door will remain open for a short time. When it closes, a closing sound can be heard.

To select ice cubes, crushed ice or chilled water, slide the control to the appropriate setting.



Water from the dispenser is not as cold as ice water. For colder water, simply add ice before dispensing the water. The first glass or two of water dispensed each time may be warmer than subsequent glasses. A full glass of water will be cooler than a partial glass. To prevent splashing, fill the glass with ice before adding water.

NOTE: When using the ice dispenser for the first time, discard the first two or three dozen cubes. When using the water dispenser for the first time, press the actuator pad for one to two minutes to bleed the air from the water line. Discard the first five to six glasses of water dispensed. This will insure pure and fresh water for drinking.

Dispenser Light

Your dispenser may have a light switch located on the right side of the dispenser. Depress the switch to turn the light on or off.

Lock Switch

Your dispenser may be furnished with a lock switch on the right side of the dispenser. This push button switch will turn your ice and water dispensers on or off.

Spill Tray

Do not pour water into the Spill Tray grille at the bottom of the dispenser area. This is a spill area, NOT a drain. Normal, small spills will evaporate. Larger spills should be wiped up with a soft cloth or sponge. The grille slides out for clean up. Replace the grille by sliding it into the track and pressing on the locking tabs. It is recommended to clean the spill area occasionally to prevent mineral deposits.

Ice Dispensing Tips

- Some crushed ice may be dispensed even though cubed ice was selected. This happens occasionally when a few cubes are accidentally channeled into the crusher.
- Likewise, when changing from crushed ice to cubes, some crushed ice may be dispensed. This may also happen if irregular sized cubes or ice chips are in the storage bin.
- If the ice dispenser is not used frequently, ice cubes may clump together and may need to be broken apart or discarded.
- A slight pause may be noticed when dispensing crushed ice. This is normal because the ice is being channeled to the crusher. Crushed ice pieces will vary in size and shape.
- Do not add ice to the storage bin which was not produced by your ice maker, it may not crush and/or dispense properly.
- Avoid operating the ice dispenser continuously for more than five minutes. Remove large quantities from the bin by hand.
- Avoid dispensing ice directly into fine china or delicate crystal. The pressure of pressing against the actuator pad and the ice dropping into the container can cause cracking or chipping of delicate items.

Food Storage Tips

Fresh Food Storage

- The fresh food compartment of a refrigerator should be kept between 34°F and 40°F with an optimum temperature of 37°F. To check the temperature, place an appliance thermometer in a glass of water and place in the center of the refrigerator. Check after 24 hours. If the temperature is above 40°F adjust the controls as explained on page 3.
- Avoid overcrowding the refrigerator shelves. This reduces the circulation of air around the food and results in uneven cooling.

Fruits and Vegetables

- Storage in the crisper drawer traps moisture to help preserve the fruit and vegetable quality for longer time periods. (Refer to page 4).
- Sort fruits and vegetables before storage and use bruised or soft items first. Discard those showing signs of decay.
- Always wrap odorous foods such as onions and cabbage so the odor does not transfer to other foods.
- While vegetables need a certain amount of moisture to remain fresh, too much moisture can shorten storage times (especially lettuce). Drain vegetables well before storing.

Meat and Cheese

- Raw meat and poultry should be wrapped securely so leakage and contamination of other foods or surfaces does not occur.
- Occasionally mold will develop on the surface of hard cheeses (Swiss, Cheddar, Parmesan). Cut off at least an inch around and below the moldy area. Keep your knife or instrument out of the mold itself. The remaining cheese will be safe and flavorful to eat. Do **NOT** try to save individual cheese slices, soft cheese, cottage cheese, cream, sour cream or yogurt when mold appears.

Dairy Food

- Most dairy foods such as milk, yogurt, sour cream and cottage cheese have freshness dates on their cartons for appropriate length of storage. Store these foods in the original carton and refrigerate immediately after purchasing and after each use.

Frozen Food Storage

- The freezer compartment of a refrigerator should be kept at 0°F or lower. To check the temperature, place an appliance thermometer between the frozen packages and check after 24 hours. If the temperature is above 0°F, adjust the control as described on page 3.
- A freezer operates more efficiently when it is at least two-thirds full.

Packaging Foods for Freezing

- To minimize dehydration and quality deterioration use aluminum foil, freezer wrap, freezer bags or airtight containers. Force as much air out of the packages as possible and be sure they are tightly sealed. Trapped air can cause the food to dry out, change color and develop an off-flavor (freezer burn).
- Overwrap fresh meats and poultry with suitable freezer wrap prior to freezing.
- **Do not refreeze meat that has completely thawed.**

Loading the Freezer

- Avoid adding too much warm food to the freezer at one time. This overloads the freezer, slows the rate of freezing and can raise the temperature of frozen foods.
- Leave a space between the packages so cold air can circulate freely, allowing food to freeze as quickly as possible.
- Avoid storing hard-to-freeze foods such as ice cream and orange juice on the freezer door shelves. These foods are best stored in the freezer interior where the temperature varies less with door openings.

Storing the Refrigerator

Vacations

If you will be gone for a month or less, leave the controls at the usual settings.

During longer absences:

- a) remove all food,
- b) shut off the ice maker (if installed) and the valve where you tapped into the water line to supply the refrigerator,
- c) disconnect the refrigerator from the electrical outlet,

- d) clean and dry the refrigerator thoroughly,
- e) leave the doors open to prevent odors.

Moving

When moving, follow steps a–d under Vacations. In addition, remove and carefully pack any items that are easily removable. Ship the refrigerator in an upright position with the doors taped shut.

Care and Cleaning

Refer to the chart on the following page for specific refrigerator cleaning guidelines.

Disconnect the power cord before cleaning.

Cleaning Under the Refrigerator

Your refrigerator can be rolled out for cleaning the floor underneath. Raise the locking feet if engaged (see page 2). Pull the refrigerator straight out from the wall.

Replacing a Light Bulb

CAUTION: Disconnect the power cord before replacing light bulb(s). Wear gloves as protection against possible broken glass.

Always use a standard 40 or 60 watt appliance bulb.

Refrigerator

To replace a light bulb at the upper rear, unscrew the bulb located in the center opening on the bottom of the control cover. The replacement bulb can then be screwed in. If more access is required for bulb replacement, grasp the control cover in the two lower rear “finger tabs”, pull down slightly to clear retainer tabs and slide the cover forward until it is free. After replacing the bulb, align the control cover on to the ribs and slide it straight back until it snaps onto the retainer tabs.

No Clean™ Commercial-duty Condenser

A clean condenser means more efficient refrigerator operation. Thanks to the unique design of the No Clean™ condenser, there is no longer a need for routine condenser cleaning in normal home usage surroundings.

Some operating environments may be particularly dusty or greasy. In these situations, the condenser can be periodically cleaned to insure maximum efficiency.

Freezer (Select Models)

(1) unhook the tabs on the top of the light shield by pressing in with the thumb on the center top of the light shield; (2) pivot the shield down; (3) unscrew the bulb when cool and replace with a standard 40 watt appliance bulb; (4) pivot the shield up into place, snapping the tabs into the slots.

Dispenser Light (Dispenser Models Only)

For replacement, use a 120V, 7 watt bulb. Disconnect the power cord before replacing the light bulb.

Care and Cleaning

⚠ CAUTION: Disconnect the power cord before cleaning. Do not touch refrigerated surfaces with wet or damp hands. Damp objects stick to cold metal surfaces. Before cleaning the freezer, allow it to warm up. Allow glass shelves to warm up before immersing in warm water.

Refrigerator Cleaning Chart

Refrigerator Exterior		
Part	Cleaning Agents	Tips and Precautions
Base grille	Soap and water Mild liquid sprays Vacuum cleaner attachment	
Condenser	Cleaning brush (Part No. 20001017). Available from your dealer.	No need for cleaning unless environment is particularly greasy, dusty or there is significant pet traffic in the home (see page 9).
Door handles	Soap and water Mild liquid sprays	
Painted metal surfaces: Cabinet, doors	Soap and water Mild liquid sprays	Dry with a clean, soft cloth. Do not wipe the refrigerator with a soiled dishwashing cloth or wet towel. These may leave residue that can scratch and weaken the paint. Do not use scouring pads, powdered cleansers, bleach or cleaners containing bleach. These products can scratch and erode the paint finish. Do not wax plastic or vinyl parts.
Refrigerator & Freezer Interior		
Door gasket	Baking soda and water Soap and water	Use 1-2 tablespoons baking soda per quart of water. Be sure to wring out excess water from sponge or cloth when cleaning around controls, lights, or electrical parts.
Glass shelves	Soap and water Glass cleaner Mild liquid sprays	Allow the glass to warm up to room temperature before immersing in warm water. Never use hot water.
Interior and door liner	Soap and water Baking soda and water	See above for baking soda solution. DO NOT use abrasive cleaners, concentrated detergents, bleaches, cleaning waxes, solvents or polish cleaners to clean the refrigerator interior.
Drawers, bins, egg cradle, etc.	Soap and water	Dry thoroughly. Do Not wash in automatic dishwasher.

Before You Call

Check these points if your refrigerator...

Won't Run	<ul style="list-style-type: none"> • temperature control turned to "Off" • power cord not plugged in • no power at the electrical outlet • circuit breaker tripped or the house fuse blown • refrigerator is in automatic defrost
Runs too long/too frequently	<ul style="list-style-type: none"> • today's refrigerators are larger and run colder, which requires more running time to provide more stable temperatures • prolonged door openings • base grille blocked • too many door openings • door not sealing (due to a package or a container holding door open)
Noisy operation	<ul style="list-style-type: none"> • cabinet not level • weak floor
Odor in cabinet	<ul style="list-style-type: none"> • odor producing foods should be covered or wrapped • interior needs cleaning
Warm air from cabinet bottom	<ul style="list-style-type: none"> • normal air flow for condenser circulation
Cabinet Vibrates	<ul style="list-style-type: none"> • cabinet not level • weak floor
Moisture on inside cabinet walls	<ul style="list-style-type: none"> • hot, humid weather • frequent or prolonged door openings • door not closed properly
Excessive moisture in crisper	<ul style="list-style-type: none"> • food not wrapped properly • hot, humid weather
Cabinet light not working	<ul style="list-style-type: none"> • bulb burned out • no power at the outlet
Sizzling sound in freezer	<ul style="list-style-type: none"> • a normal sound caused by defrost water dripping on defrost mechanism
Visible glow in the freezer vents	<ul style="list-style-type: none"> • appearance of a red glow or reflection is normal during the defrost cycle
Freezer not freezing properly	<ul style="list-style-type: none"> • products with high sugar content may not harden completely when frozen (ice cream, concentrated juice, etc.) • adjust freezer control to a colder setting
Ice cubes evaporate	<ul style="list-style-type: none"> • cold air moving over the ice cubes causes shrinkage, especially with limited usage. This is normal.
Automatic ice maker not operating	<ul style="list-style-type: none"> • stop arm in OFF (up) position • water supply turned off • water pressure too low • freezer too warm
Front cabinet surface warm to the touch	<ul style="list-style-type: none"> • special design to limit condensation during periods of high humidity
Ice dispenser not operating	<ul style="list-style-type: none"> • ice jam in the dispenser • ice maker not operating • lock switch on
Water dispenser not operating	<ul style="list-style-type: none"> • water supply turned off • water pressure too low • lock switch on (see pg. 7)

*For further assistance contact Maytag Appliances Sales Company, Maytag Customer Assistance:
U.S. 1-800-688-9900 or Canada 1-800-688-2002*

Refrigerator Warranty

Full One Year Warranty

For **one (1) year** from the date of original retail purchase, any part that fails in normal home use will be repaired or replaced free of charge.

Ice Maker – when purchased with the refrigerator and installed by the dealer the ice maker will be considered part of the refrigerator for warranty purposes.

Limited Warranty — Major Refrigeration Components

Second thru Fifth Year:

After the first year from the date of original retail purchase, through the end of the fifth year, Maytag Appliances will repair or replace, at its option, free of charge for parts and labor, any part of the sealed refrigeration system (consisting of the compressor, evaporator, condenser, drier and connecting tubing) and the cabinet liner (exclusive of the door liner) which fail in normal home use. Mileage and transportation charges, if required, shall be the responsibility of the owner.

Please note: The full warranty and the limited warranties apply when the refrigerator is located in the United States or Canada. Refrigerators located elsewhere are covered by the limited warranties only including parts that fail during the first year.

LIMITATIONS OF LIABILITY

The warrantor shall not be liable for any incidental or consequential damages, including food loss. Some states do not allow the exclusion or limitation of consequential damages, so the above limitation or exclusion may not apply to you.

The specific warranties expressed above are the ONLY warranties provided by the manufacturer. This warranty gives you specific legal rights, and you may also have other rights that vary from state to state.

To Receive Warranty Service

To locate an authorized service company in your area contact the Maytag dealer from whom your appliance was purchased; or call Maytag Appliances Sales Company, Maytag Customer Assistance at the number listed below. Should you not receive satisfactory warranty service, please call or write:

Maytag Appliances Sales Company
Attn: CAIRSM Center
P.O. Box 2370
Cleveland, TN 37320-2370
U.S. 1-800-688-9900
CANADA 1-800-688-2002
U.S. customers using TTY for deaf, hearing impaired or speech impaired, call 1-800-688-2080.

NOTE: When writing about an unsolved service problem, please include the following information:

- Your name, address and telephone number;
- Model number, serial number, and revision number (found on the top front interior of the refrigerator compartment);
- Name and address of your dealer and the date the appliance was bought;
- A clear description of the problem you are having;
- Proof of purchase (sales receipt).

What Is Not Covered By These Warranties:

- Conditions and damages resulting from any of the following:
 - Improper installation, delivery, or maintenance.
 - Any repair, modification, alteration or adjustment not authorized by the manufacturer or an authorized servicer.
 - Misuse, abuse, accidents, or unreasonable use.
 - Incorrect electric current, voltage or supply.
 - Improper setting of any control.
- Warranties are void if the original serial numbers have been removed, altered, or cannot be readily determined.
- Light bulbs.
- Products purchased for commercial or industrial use.
- The cost of service or service call to:
 - Correct installation errors.
 - Instruct the user on proper use of the product.
 - Transport the appliance to the servicer.
- Consequential or incidental damages sustained by any person as a result of any breach of these warranties.

Some states do not allow the exclusion or limitation of consequential or incidental damages, so the above exclusion may not apply.

User's Guides, service manuals and parts catalogs are available from Maytag Appliances Sales Company, Maytag Customer Assistance.

MAYTAG • 403 W. 4th Street N. • P.O. Box 39 • Newton, Iowa 50208

MAYTAG ONLINE <http://www.maytag.com>

Form No. A/12/99

Part No. 111107-1 MCS Part No. 61004966

Litho U.S.A.

Download from Www.Somanuals.com. All Manuals Search And Download.

Free Manuals Download Website

<http://myh66.com>

<http://usermanuals.us>

<http://www.somanuals.com>

<http://www.4manuals.cc>

<http://www.manual-lib.com>

<http://www.404manual.com>

<http://www.luxmanual.com>

<http://aubethermostatmanual.com>

Golf course search by state

<http://golfingnear.com>

Email search by domain

<http://emailbydomain.com>

Auto manuals search

<http://auto.somanuals.com>

TV manuals search

<http://tv.somanuals.com>