

# Repair Parts List

MODEL NUMBER  
MER6772BAW

## RANGE

When requesting service or ordering parts, always provide the following information:

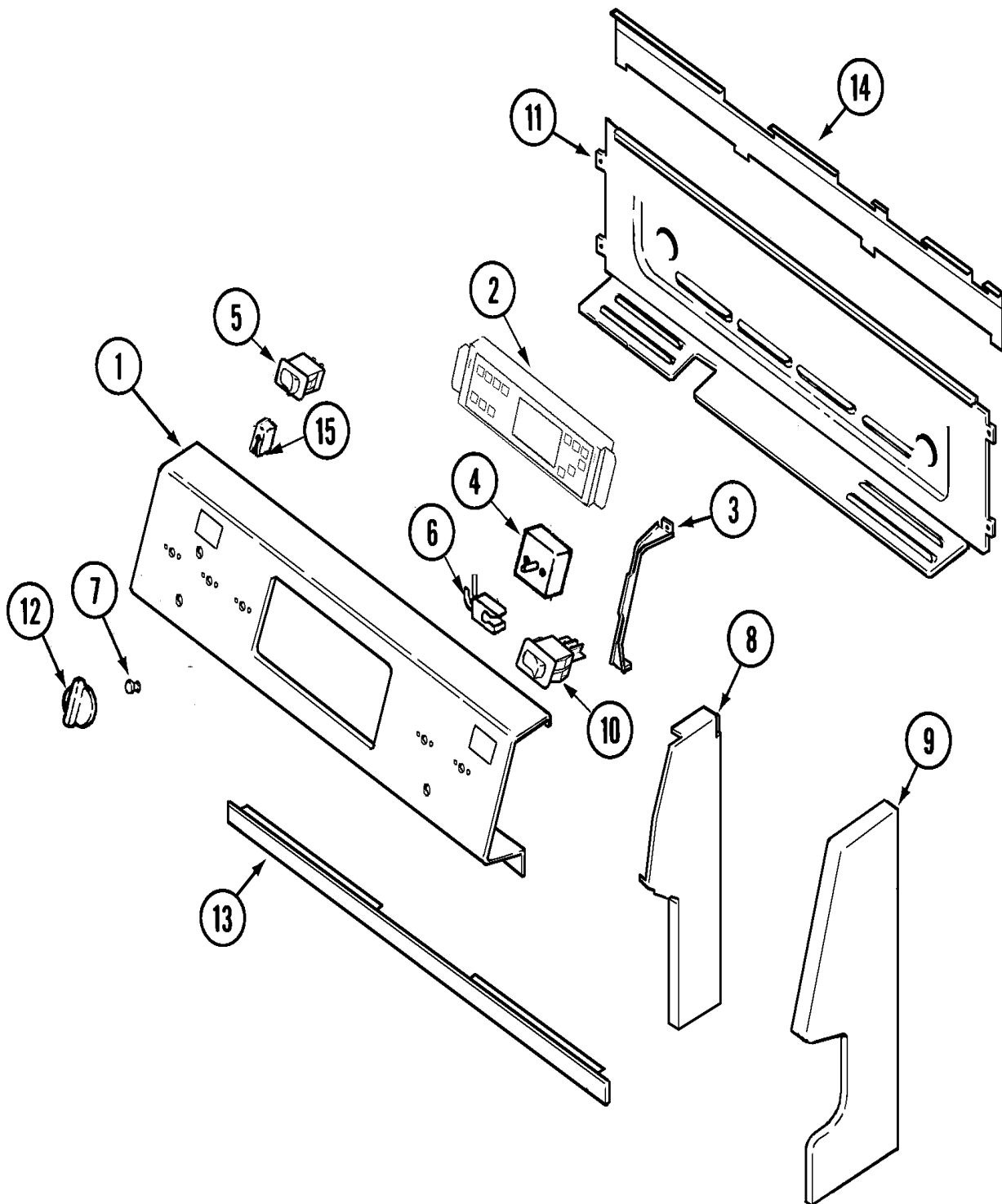
- Product Type
- Part Number
- Model Number
- Part Description

# **MAYTAG**®

©2005 Maytag Services

Section: CONTROL PANEL

Model: MER6772BAW



C10-539

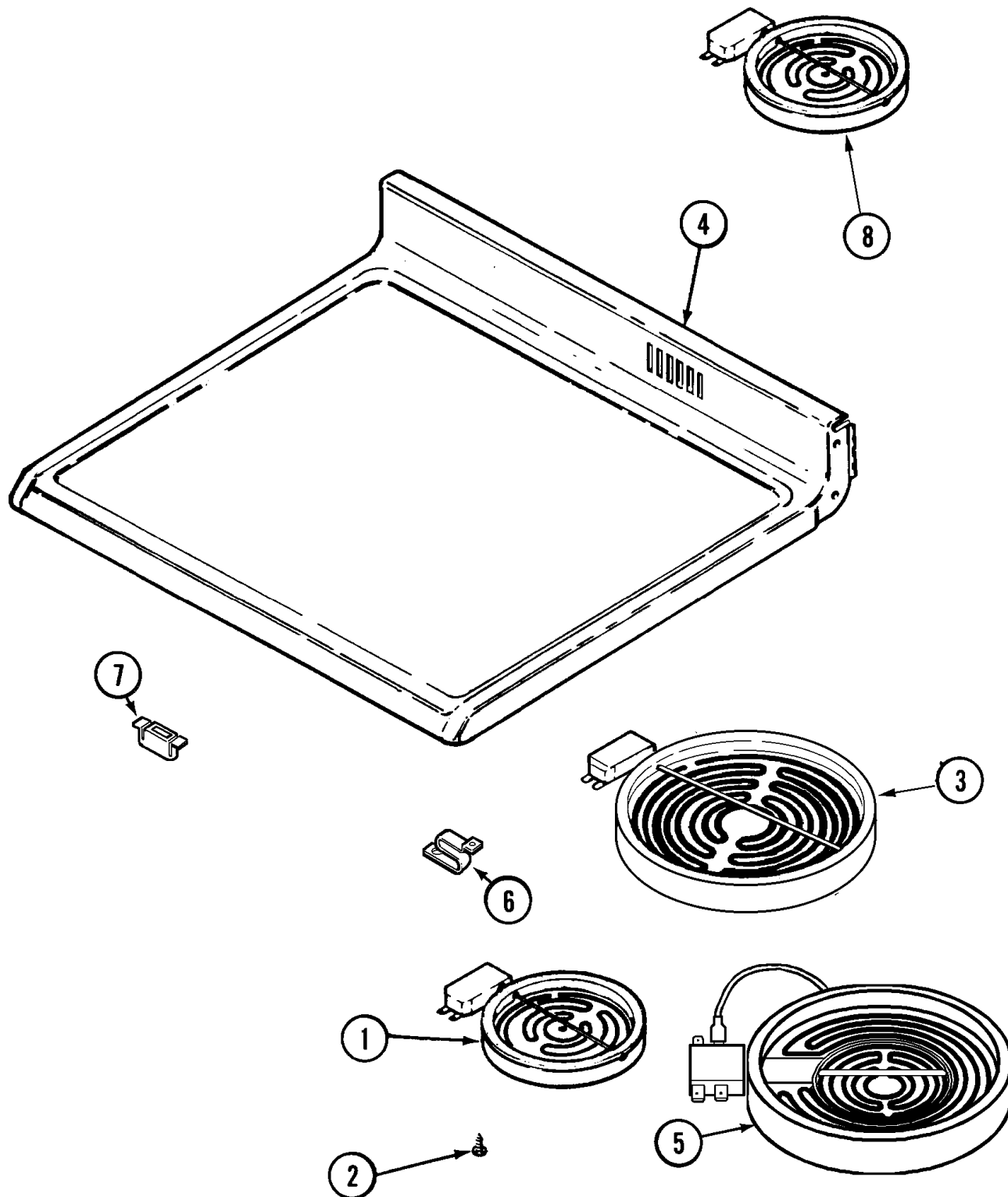
## Section: CONTROL PANEL

| No. | Part No.    | Description   | Series | Qty |
|-----|-------------|---|--------|-----|
| 1   | 74006626    | PANEL, CONTROL (WHT)  | 10     | 1   |
| -   | 74003357    | SCREW (6ABX.25-ZN) Note: SCREW, CLOCK                             | 10     | 4   |
| 2   | 74006213    | CLOCK W/OVERLAY (WHT)   | 10     | 1   |
| -   | 7101P348-60 | SCREW (WHT) Note: SCREW, BRACKET (WHT)                            | 10     | 4   |
| 3   | 74005388    | BRACKET, CLOCK  | 10     | 2   |
| -   | 7101P309-60 | SCREW Note: SCREW, SWITCH   | 10     | 6   |
| 4   | 7403P239-60 | SWITCH, INFINITE (LRG ELEMENT) Note: SWITCH, ELEMENT (8" ELEMENT) | 10     | 1   |
| 4   | 7403P238-60 | SWITCH, INFINITE (SML ELEMENT) Note: SWITCH, ELEMENT (6" ELEMENT) | 10     | 2   |
| 4   | 74003122    | SWITCH, INFINITE (DUAL) Note: SWITCH, ELEMENT (DUAL)              | 10     | 1   |
| 5   | 74003364    | SWITCH, ROCKER (WHT) Note: SWITCH, ROCKER (WHT-WARM CNTR)         | 10     | 1   |
| 6   | 74004153    | LIGHT, INDICATOR  | 10     | 2   |
| 7   | 7730P011-60 | LENS, INDICATOR LIGHT   | 10     | 3   |
| 8   | 74005393    | BRACKET, CONTROL PANEL (LT)                                       | 10     | 1   |
| -   | 74001530    | SCREW (8AB1/2-NI) Note: SCREW, BRACKET                            | 10     | 2   |
| 8   | 74005392    | BRACKET, CONTROL PANEL (RT)                                       | 10     | 1   |
| 9   | 74004548    | CAP, END (RT-WHT)   | 10     | 1   |
| 9   | 74004549    | CAP, END (LT-WHT)   | 10     | 1   |
| -   | 7101P373-60 | SCREW (1/2"-WHT) Note: SCREW, END CAP (WHT-1/2")                  | 10     | 2   |
| -   | 74002451    | SCREW (1 3/16"-WHT) Note: SCREW, END CAP (WHT-1 3/16")            | 10     | 4   |
| 10  | 74006468    | SWITCH, ROCKER DUAL (WHT)   | 10     | 1   |
| - N | 7101P338-60 | SCREW (8BX3/8-NI) Note: SCREW, HOUSING                            | 10     | 4   |
| 11  | 74004550    | HOUSING, CONTROL PANEL  | 10     | 1   |
| 12  | 74003611    | KNOB (WHT) Note: KNOB, SWITCH (WHT)                               | 10     | 4   |
| 13  | 74003374    | SHIELD, SIGHT   | 10     | 1   |
| - N | 7101P338-60 | SCREW (8BX3/8-NI) Note: SCREW, SHIELD                             | 10     | 3   |
| - N | 7101P338-60 | SCREW (8BX3/8-NI) Note: SCREW, EXTENSION                          | 10     | 2   |
| 14  | 74006376    | EXTENSION, CONTROL PANEL  | 10     | 1   |
| 15  | 71003194    | LIGHT, INDICATOR (125V) Note: LIGHT, INDICATOR (WARM)             | 10     | 1   |
| -   | 12001323    | WIRE/TERMINAL KIT   | 10     | 1   |
| -   | 74005489    | HARNESS, DOOR LOCK MOTOR  | 10     | 1   |
| -   | 74006648    | HARNESS, MAIN   | 10     | 1   |
| -   | 74006788    | HARNESS, TOP/WARMING  | 10     | 1   |
| -   | 74007369    | LOCK, PURSE   | 10     | 1   |
| -   | W10124350   | NOT REQUIRED PART OR SEE NOTE Note: PURSE LOCKED REMOVED          | 13     | 1   |
| -   | W10124350   | NOT REQUIRED PART OR SEE NOTE Note: PURSE LOCK REMOVED            | 14     | 0   |
| -   | 74005493    | HARNESS, OVEN/LIGHT   | 10     | 1   |
| -   | 74003482    | RELAY, AUXILLARY  | 19     | 1   |
| -   | 74005492    | HARNESS, SENSOR LOGIC LOCK  | 10     | 1   |
| -   | 74004537    | HARNESS, DOOR LOGIC SWITCH  | 10     | 1   |
| -   | 74004687    | HARNESS, RELAY  | 19     | 1   |
| -   | 74007644    | HARNESS, DOOR LOCK MOTOR  | 16     | 1   |
| -   | 74006647    | HARNESS, BKGD/TOP   | 10     | 1   |
| -   | 74009387    | HARNESS, MAIN   | 19     | 1   |
| -   | 74005475    | GUIDE, COOKING (TRILINGUAL)                                       | 10     | 1   |
| -   | 74005918    | MANUAL, USE & CARE  | 10     | 1   |
| -   | 16010107    | MANUAL, SERVICE GEMINI RANGE                                      | 10     | 1   |
| -   | 74005884    | MANUAL, SERVICE (MINI)  | 10     | 1   |

\*Color Code (-)=Not Shown #=Series, Serial Prefix or Run No., N=Not Available

Section: TOP ASSEMBLY

Model: MER6772BAW



C15-558

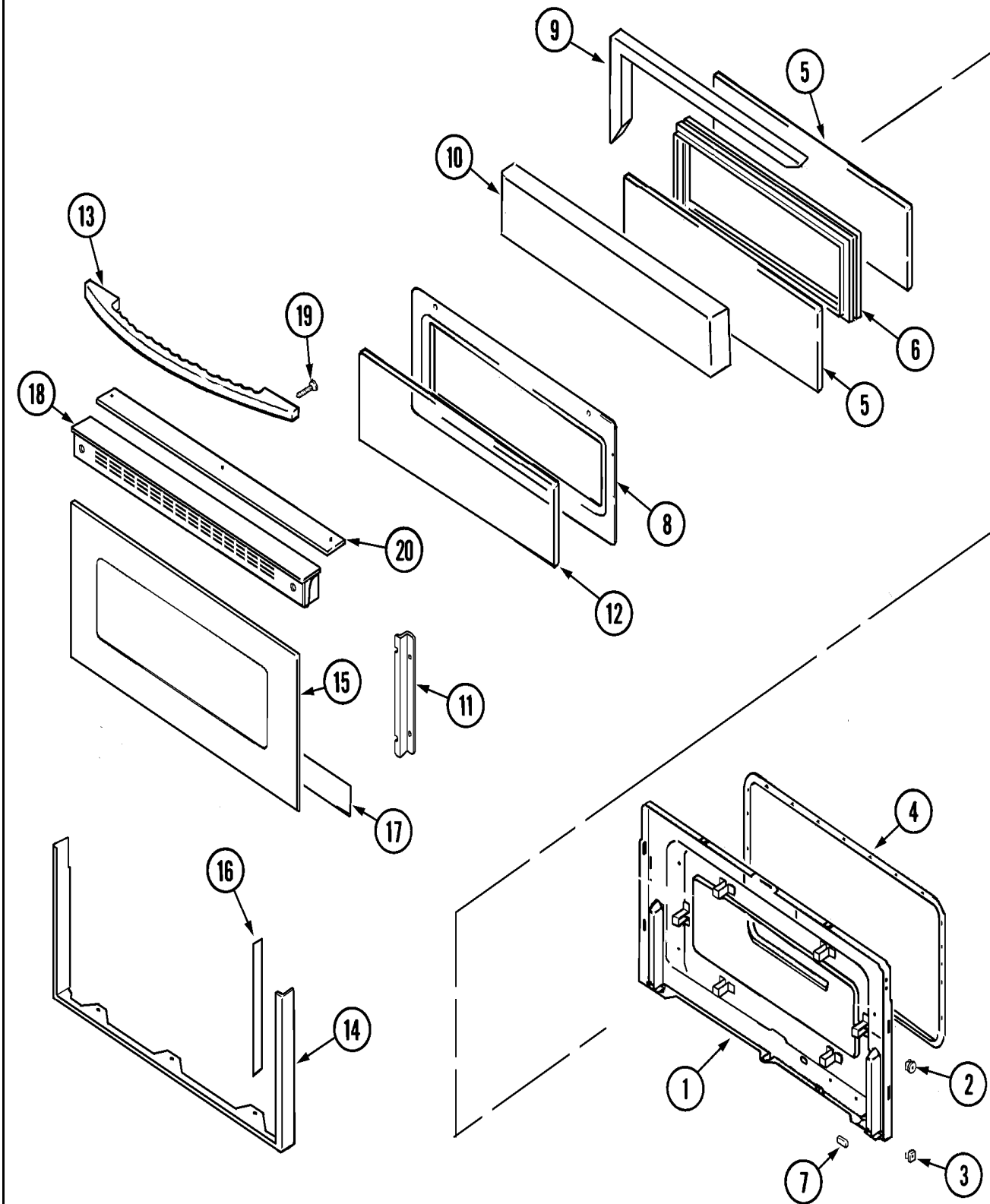
## Section: TOP ASSEMBLY

| No. | Part No. | Description   | Series | Qty |
|-----|----------|---|--------|-----|
| 1   | 74005476 | ELEMENT W/LIMITER (6") Note: ELEMENT W/LIMITER (6"-RR/LR)       | 10     | 2   |
| 2   | 74003357 | SCREW (6ABX.25-ZN) Note: SCREW, ELEMENT/SUPPORT                 | 10     | 20  |
| 3   | 74005477 | ELEMENT W/LIMITER (8") Note: ELEMENT W/LIMITER (8"-LF)          | 10     | 1   |
| -   | 74004558 | GLIDE, MAIN TOP   | 10     | 2   |
| - N | 20001100 | PAD, SPONGE (NON ABRASIVE)                                      | 10     | 1   |
| -   | 20001099 | COOKTOP CLEANING CREME 2.5 OZ                                   | 10     | 1   |
| 4   | 74006478 | TOP, MAIN (WHT)   | 10     | 1   |
| -   | 74003285 | GASKET, VENT  | 10     | 1   |
| 5   | 74004556 | ELEMENT, DUAL (W/LIMITER) Note: ELEMENT, DUAL (W/LIMITER-RF)    | 10     | 1   |
| 6   | 74003072 | SUPPORT, CERAMIC ELEMENT Note: SUPPORT, ELEMENT                 | 10     | 10  |
| 7   | 74006388 | INDICATOR, LIGHT  | 10     | 1   |
| 8   | 74006584 | ELEMENT, W/LIMITER (WARMING) Note: ELEMENT, W/LIMIT (WARM/CNTR) | 10     | 1   |

\*Color Code (-)=Not Shown #=Series, Serial Prefix or Run No., N=Not Available

Section: DOOR (UPPER-BAB/BAQ/BAW)

Model: MER6772BAW



C11-562

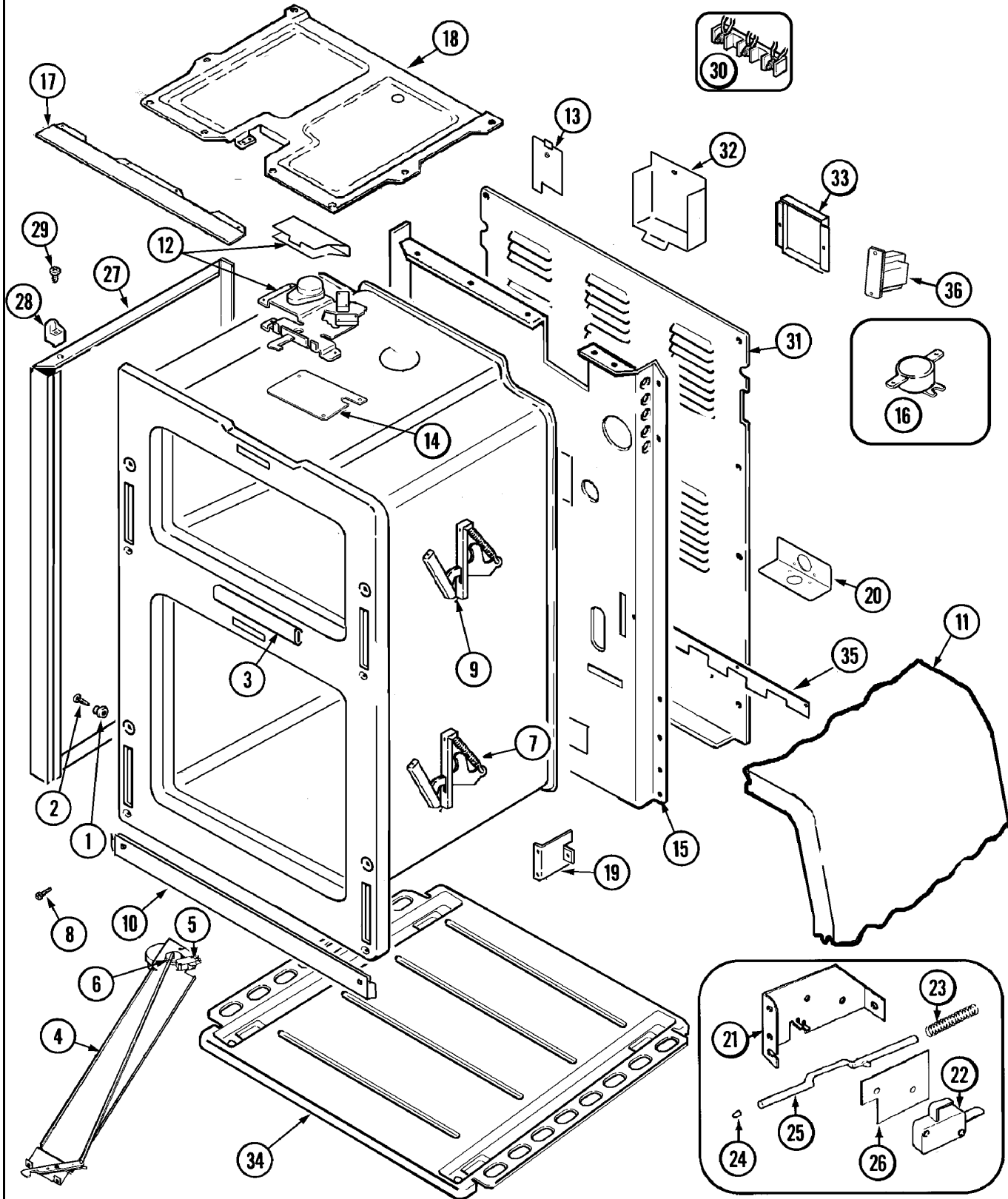
## Section: DOOR (UPPER-BAB/BAQ/BAW)

| No. | Part No.    | Description                                     | Series | Qty |
|-----|-------------|---|--------|-----|
| 1   | 74004564    | LINING, OVEN DOOR                               | 10     | 1   |
| 2   | 7103P039-60 | NUT, SNAP (ROUND-WHT)                           | 10     | 2   |
| 3   | 74001574    | NUT, SNAP (ROUND-BLK) Note: NUT, SNAP (BLK)     | 10     | 2   |
| 4   | 74004565    | GASKET, OVEN DOOR                               | 10     | 1   |
| 5   | 74004566    | GLASS, DOOR (INNER)                             | 10     | 2   |
| 6   | 74004567    | FRAME, GLASS                                    | 10     | 1   |
| 7   | 74005546    | SPACER, RUBBER                                  | 10     | 2   |
| 8   | 74004568    | BAFFLE, OVEN DOOR                               | 10     | 2   |
| 9   | 74004569    | INSULATION, DOOR (8.5 X 21.5)                   | 10     | 2   |
| 10  | 74004570    | INSULATION, DOOR (3 X 8.7)-SUB                  | 10     | 2   |
| 11  | 74004592    | RETAINER, GLASS SUPPORT                         | 10     | 2   |
| -   | 74001530    | SCREW (8AB1/2-NI) Note: SCREW, RETAINER         | 10     | 4   |
| 12  | 74004571    | GLASS, OVEN DOOR Note: GLASS, DOOR (SECONDARY)  | 10     | 1   |
| 13  | 74006381    | HANDLE, DOOR (WHT)                              | 10     | 1   |
| 14  | 74004573    | FRAME, DOOR (WHT)                               | 10     | 1   |
| -   | 7101P373-60 | SCREW (1/2"-WHT) Note: SCREW, FRAME (WHT)       | 10     | 2   |
| -   | 74001530    | SCREW (8AB1/2-NI) Note: SCREW, FRAME (CHR)      | 10     | 3   |
| 15  | 74006631    | GLASS, DOOR (WHT)                               | 10     | 1   |
| 16  | 74003660    | TAPE, FOIL (8.75" X 1")                         | 10     | 2   |
| 17  | 74004593    | TAPE, FOIL (3/4"W-1"L)                          | 10     | 2   |
| 18  | 74006633    | TRIM, DOOR TOP (WHT)                            | 10     | 1   |
| -   | 7101P373-60 | SCREW (1/2"-WHT) Note: SCREW, TRIM (WHT)        | 10     | 2   |
| 19  | 74001530    | SCREW (8AB1/2-NI) Note: SCREW, HANDLE           | 10     | 4   |
| 19  | 74006635    | SCREW W/WASHER (HANDLE MTG) Note: SCREW, HANDLE | 10     | 2   |
| 20  | 7728P094-60 | INSERT, DOOR TRIM (WHT)                         | 10     | 1   |
| -   | 74001278    | SCREW (WHT) Note: SCREW, INSERT (WHT)           | 10     | 2   |

\*Color Code (-)=Not Shown #=Series, Serial Prefix or Run No., N=Not Available

Section: BODY

Model: MER6772BAW



C14-763



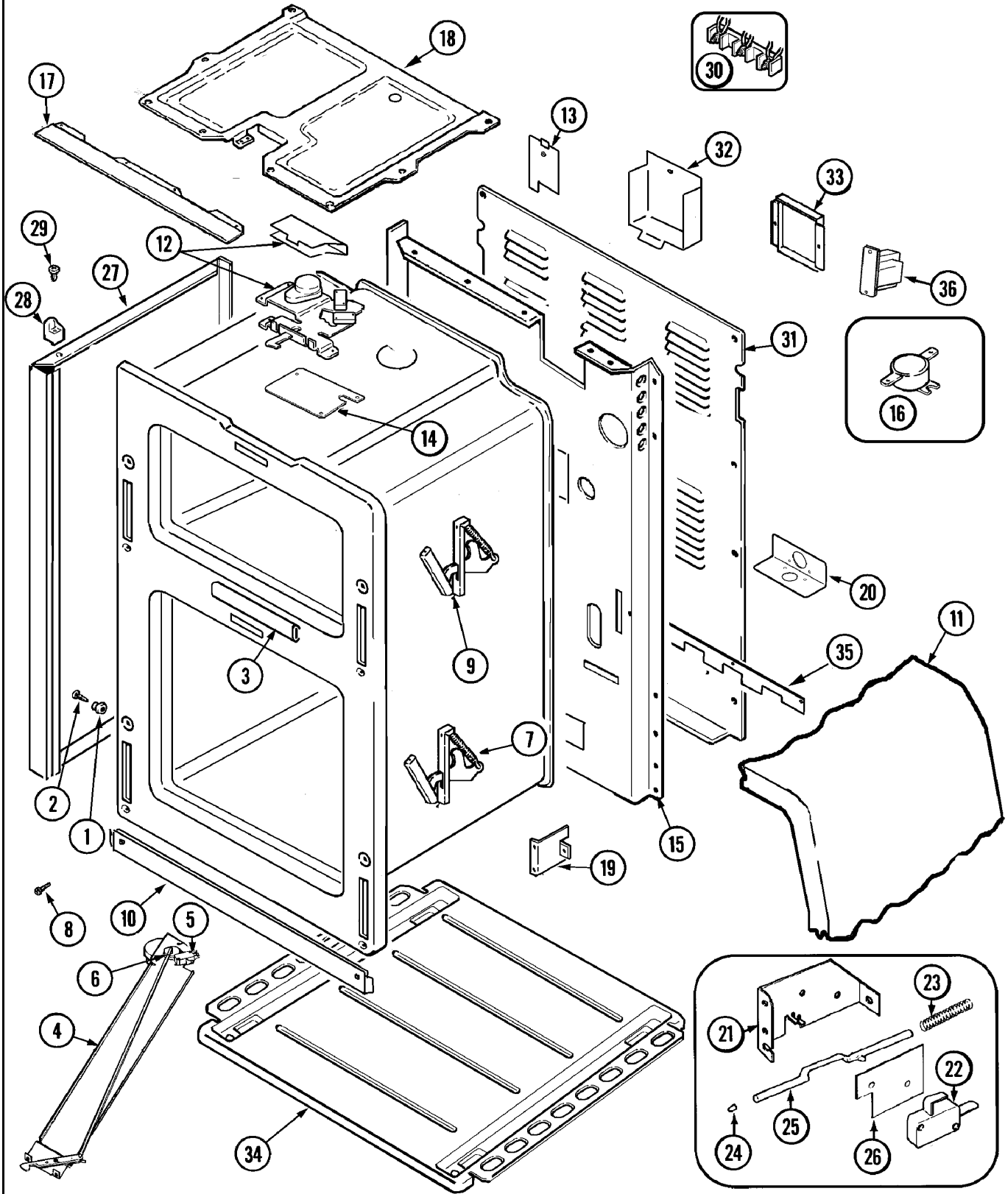
## Section: BODY

| No.  | Part No.    | Description   | Series | Qty |
|------|-------------|---|--------|-----|
| 1    | 8004P024-60 | SPACER, SIDE PANEL  | 10     | 4   |
| -    | 74007427    | SPACER, SIDE PANEL (LONG)   | 16     | 2   |
| 2    | 74003004    | SCREW (8ABX19/32-ZN) Note: SCREW, SPACER  | 10     | 4   |
| 3    | 74004518    | SEAL, FRAME (FRONT)   | 10     | 1   |
| -    | 74003975    | SCREW (8ABX3/8-BLK) Note: SCREW, LATCH (INCLDS. ITEMS 5 & 6)  | 10     | 2   |
| 4    | 74005485    | DOOR LOCK LATCH ASSY (LWR)  | 10     | 1   |
| 5    | 74005532    | SWITCH, LOCK  | 10     | 1   |
| 6    | 74005531    | MOTOR, LOCK   | 10     | 1   |
| 7    | 74003968    | HINGE, DOOR Note: HINGE, OVEN DOOR (LWR)  | 10     | 2   |
| 8    | 7101P282-60 | SCREW (10-24X5/16-NI) Note: SCREW, HINGE  | 10     | 4   |
| 9    | 74004523    | HINGE, OVEN DOOR (UPR)  | 10     | 2   |
| -    | 7101P282-60 | SCREW (10-24X5/16-NI) Note: SCREW, HINGE  | 10     | 4   |
| 10   | 74007479    | TRIM, KICKPLATE (WHT)   | 14     | 1   |
| 10   | 74004525    | TRIM, KICKPLATE (WHT)   | 10     | 1   |
| -    | 7101P373-60 | SCREW (1/2"-WHT) Note: SCREW, KICKPLATE (WHT)   | 10     | 2   |
| 11   | 74004526    | INSULATION, WRAP  | 10     | 1   |
| -    | 74004520    | INSULATION, OVEN FRONT (UPR)  | 10     | 1   |
| 12   | 74007429    | LOCK, DOOR LATCH ASY.   | 16     | 1   |
| -    | 74007642    | SHIELD, DOOR LOCK WIRE  | 16     | 1   |
| 12   | 74005495    | DOOR LOCK LATCH ASSY (UPR)  | 10     | 1   |
| -    | 74003975    | SCREW (8ABX3/8-BLK) Note: SCREW, LATCH (LATCH INCLDS. SWITCHES AND INSULATOR. THESE PARTS CAN NOTBE PURCHASED SEPERATELY) | 10     | 2   |
| 13   | 74005484    | BRACKET, DOOR LOCK  | 10     | 1   |
| 14   | 74005496    | RETAINER, INSUL. DOOR LOCK  | 10     | 1   |
| -    | W10124350   | NOT REQUIRED PART OR SEE NOTE   | 16     | 1   |
| -    | W10124350   | NOT REQUIRED PART OR SEE NOTE   | 15     | 0   |
| 15   | 74005497    | BACK, MAIN  | 10     | 1   |
| 16   | 74004530    | SWITCH, LIMIT   | 10     | 1   |
| 17   | 74003384    | BRACKET, MAIN TOP   | 10     | 1   |
| 18   | 74005505    | BOTTOM, BURNER BOX  | 10     | 1   |
| 18   | 74007367    | BOX, BURNER (RT)  | 16     | 1   |
| 18   | 74007366    | BOX, BURNER (LT)  | 16     | 1   |
| 19   | 74005500    | SUPPORT, OVEN (LWR)   | 10     | 1   |
| 19   | 74005499    | SUPPORT, OVEN (REAR)  | 10     | 1   |
| 20   | 74004180    | BRACKET, POWER SUPPLY   | 10     | 1   |
| 21   | 74001632    | BRACKET, SWITCH ACTUATOR  | 10     | 2   |
| -    | 7101P347-60 | SCREW (8ABX3/8-BLK) Note: SCREW, BRACKET  | 10     | 4   |
| 22   | 74004536    | SWITCH  | 10     | 2   |
| -    | 7101P330-60 | SCREW, SWITCH   | 10     | 4   |
| 23   | 74001629    | SPRING, DOOR SWITCH   | 10     | 2   |
| 24   | 74001631    | BUMPER, ROD   | 10     | 2   |
| 25   | 74003562    | ROD, DOOR LIGHT SWITCH  | 10     | 2   |
| 26   | 74001872    | INSULATOR, SWITCH   | 10     | 2   |
| 27   | 74003236    | PANEL, SIDE (WHT)   | 10     | 2   |
| -    | 74001530    | SCREW (8AB1/2-NI) Note: SCREW, PANEL  | 10     | 12  |
| 28   | 8010P087-60 | SPACER, MAIN TOP (LT)   | 10     | 1   |
| 28   | 8010P088-60 | SPACER, MAIN TOP (RT) Note: SPACER, MAIN TOP (RT)   | 10     | 1   |
| 29 N | 7101P313-60 | SCREW (8ABX3/8-ZN) Note: SCREW, SPACER  | 10     | 2   |
| 30   | 7401P039-60 | BLOCK, TERMINAL   | 10     | 1   |
| -    | 74004532    | INSULATOR, HEAT SHIELD  | 10     | 1   |
| -    | 7103P027-60 | NUT, TERMINAL BLOCK   | 10     | 1   |
| 31   | 74004576    | COVER, MAIN WIRE  | 10     | 1   |
| 32   | 74004577    | COVER, TERMINAL   | 10     | 1   |
| 33   | 4005F427-51 | COVER, ACCESS   | 10     | 1   |
| 34   | 74007449    | PLATE, BASE   | 14     | 1   |
| 34   | 74004828    | BASE, PLATE   | 10     | 1   |

\*Color Code (-)=Not Shown #=Series, Serial Prefix or Run No., N=Not Available

Section: BODY

Model: MER6772BAW



C14-763

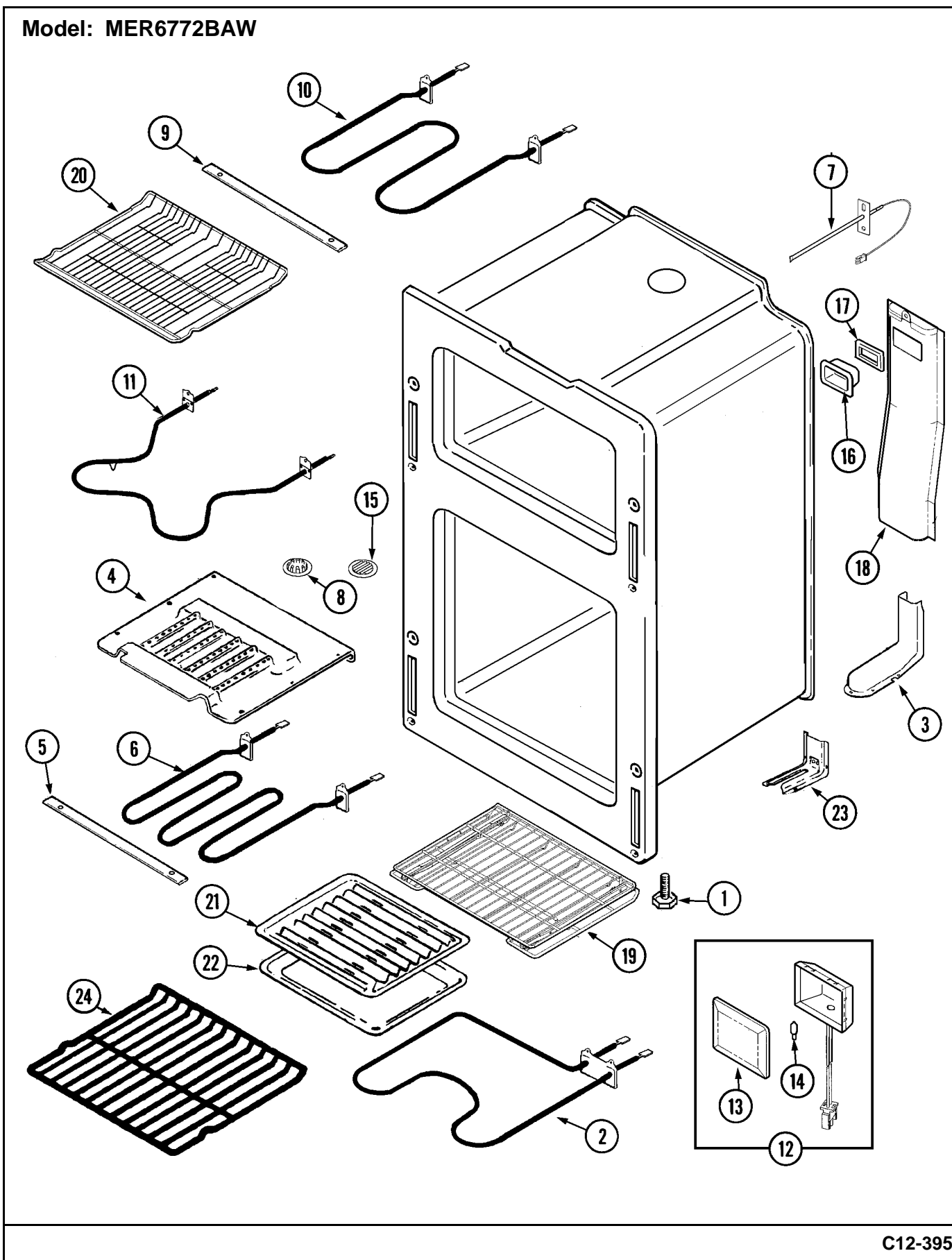
## Section: BODY

| No. | Part No.      | Description                                | Series | Qty |
|-----|---------------|--|--------|-----|
| 35  | 74005653      | SHIELD, POWER CORD                         | 10     | 1   |
| -   | N 7101P338-60 | SCREW (8BX3/8-NI) Note: SCREW, TRANSFORMER | 10     | 2   |
| 36  | 74005456      | TRANSFORMER, STEPDOWN (12V)                | 10     | 1   |

\*Color Code (-)=Not Shown #=Series, Serial Prefix or Run No., N=Not Available

Section: OVEN

Model: MER6772BAW



C12-395

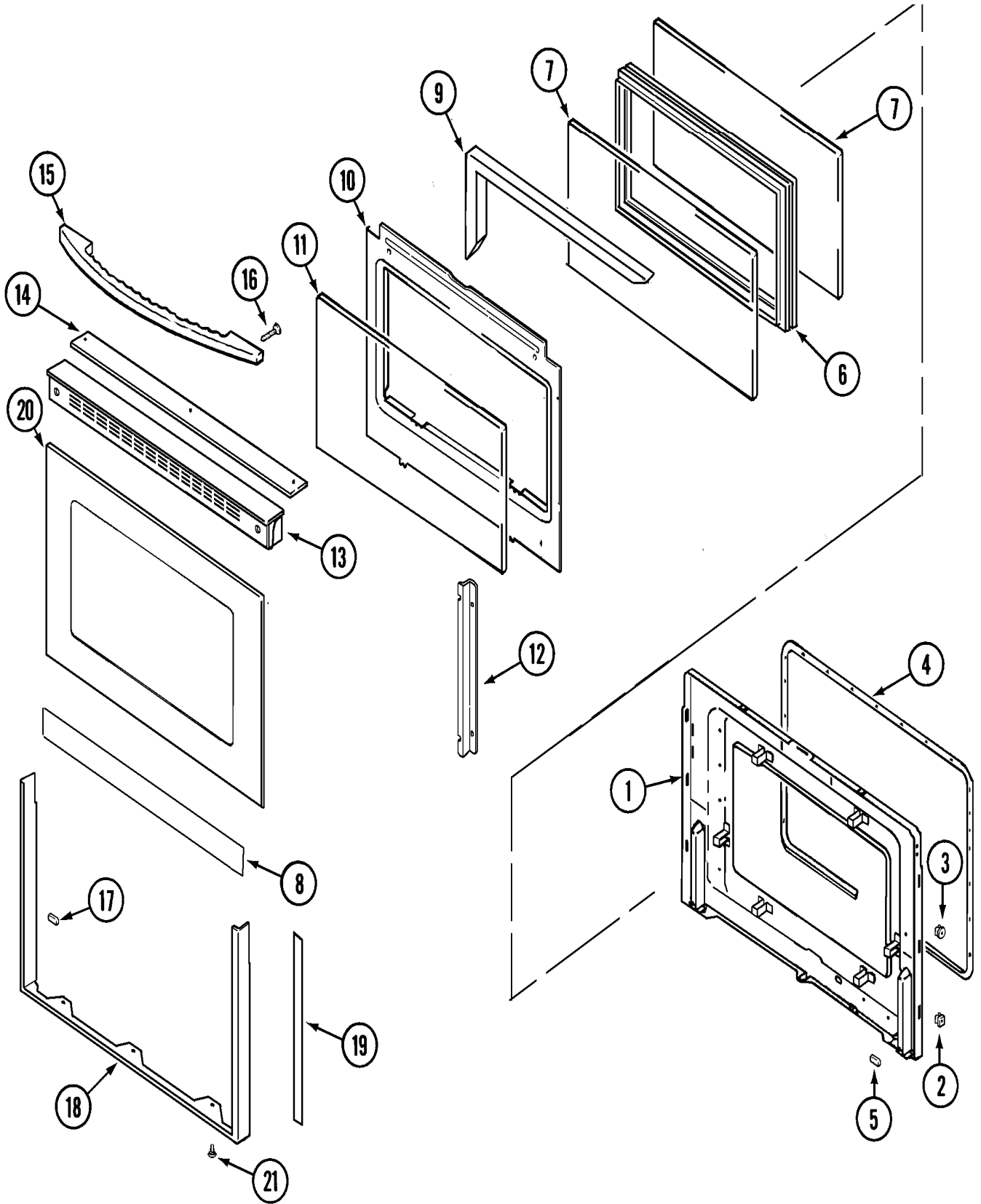
## Section: OVEN

| No. | Part No.    | Description   | Series | Qty |
|-----|-------------|---|--------|-----|
| 1   | 74002373    | LEG, LEVELING   | 10     | 4   |
| -   | 74004653    | INSULATOR, TERMINAL                                       | 10     | 1   |
| 2   | 74004107    | ELEMENT, BAKE (LOWER) Note: ELEMENT, BAKE (LWR)           | 10     | 1   |
| -   | 74001530    | SCREW (8AB1/2-NI) Note: SCREW, ELEMENT                    | 10     | 2   |
| 3   | 74003394    | VENT BOX ASSEMBLY Note: VENT BOX ASSEMBLY (LWR)           | 10     | 1   |
| 3   | 74004522    | BOX, VENT ASSY (UPR) Note: VENT BOX ASSEMBLY (UPR)        | 10     | 1   |
| -   | 74001530    | SCREW (8AB1/2-NI) Note: SCREW, BAFFLE                     | 10     | 10  |
| 4   | 3601F237-45 | BAFFLE, BROIL   | 10     | 1   |
| 5   | 74003563    | SUPPORT, BROIL ELEMENT Note: SUPPORT, BROIL ELEMENT (LWR) | 10     | 2   |
| -   | 7101P345-60 | SCREW Note: SCREW, SUPPORT                                | 10     | 6   |
| 6   | 74003040    | ELEMENT, BROIL (6 PASS) Note: ELEMENT, BROIL (LWR)        | 10     | 1   |
| -   | 74001530    | SCREW (8AB1/2-NI) Note: SCREW, ELEMENT                    | 10     | 2   |
| 7   | 74004943    | SENSOR, OVEN (LONG) Note: SENSOR, OVEN (LWR)              | 10     | 1   |
| 7   | 74003095    | SENSOR, OVEN (LONG) Note: SENSOR, OVEN (UPR)              | 10     | 1   |
| 8   | 74004517    | PLUG, HOLE  | 10     | 1   |
| 9   | 3807F176-19 | SUPPORT, BROIL ELEMENT Note: SUPPORT, BROIL ELEMENT (UPR) | 10     | 1   |
| 10  | 74004106    | ELEMENT, BROIL (UPPER) Note: ELEMENT, BROIL (UPR)         | 10     | 1   |
| -   | 74001530    | SCREW (8AB1/2-NI) Note: SCREW, ELEMENT                    | 10     | 4   |
| 11  | 74004105    | ELEMENT, BAKE (UPPER) Note: ELEMENT, BAKE (UPR)           | 10     | 1   |
| 12  | 74004521    | HALOGEN LAMP ASSY Note: (INCLDS. ITEM NO.'S 13 & 14)      | 10     | 2   |
| 13  | 74004607    | LENS, COVER   | 10     | 2   |
| 14  | 74004458    | BULB, HALOGEN   | 10     | 2   |
| 15  | 74003633    | SCREEN, SMOKE ELIMINATOR                                  | 10     | 2   |
| 16  | 74004534    | EXTENSION, VENT ASSEMBLY                                  | 10     | 1   |
| -   | 74003285    | GASKET, VENT Note: GASKET, VENT (LOWER)                   | 10     | 1   |
| 17  | 74004533    | GASKET, VENT BOX (UPR)                                    | 10     | 1   |
| 18  | 74004535    | EXTENSION, OVEN VENT ASSEMBLY                             | 10     | 1   |
| 19  | 74005218    | RACK, TELESCOPING ASSY Note: RACK, TELESCOPING            | 10     | 1   |
| 20  | 74004578    | RACK, OVEN (UPR)  | 10     | 1   |
| 21  | Y3413F01619 | INSERT, BROIL PAN   | 10     | 1   |
| 22  | Y3401F02019 | PAN, BROIL  | 10     | 1   |
| 23  | 74005564    | BRACKET, ANTI-TIP   | 10     | 1   |
| 24  | 74001757    | RACK, OVEN Note: RACK, OVEN (LWR)                         | 10     | 1   |

\*Color Code (-)=Not Shown #=Series, Serial Prefix or Run No., N=Not Available

Section: DOOR (LOWER-BAB/BAQ/BAW)

Model: MER6772BAW



C11-695

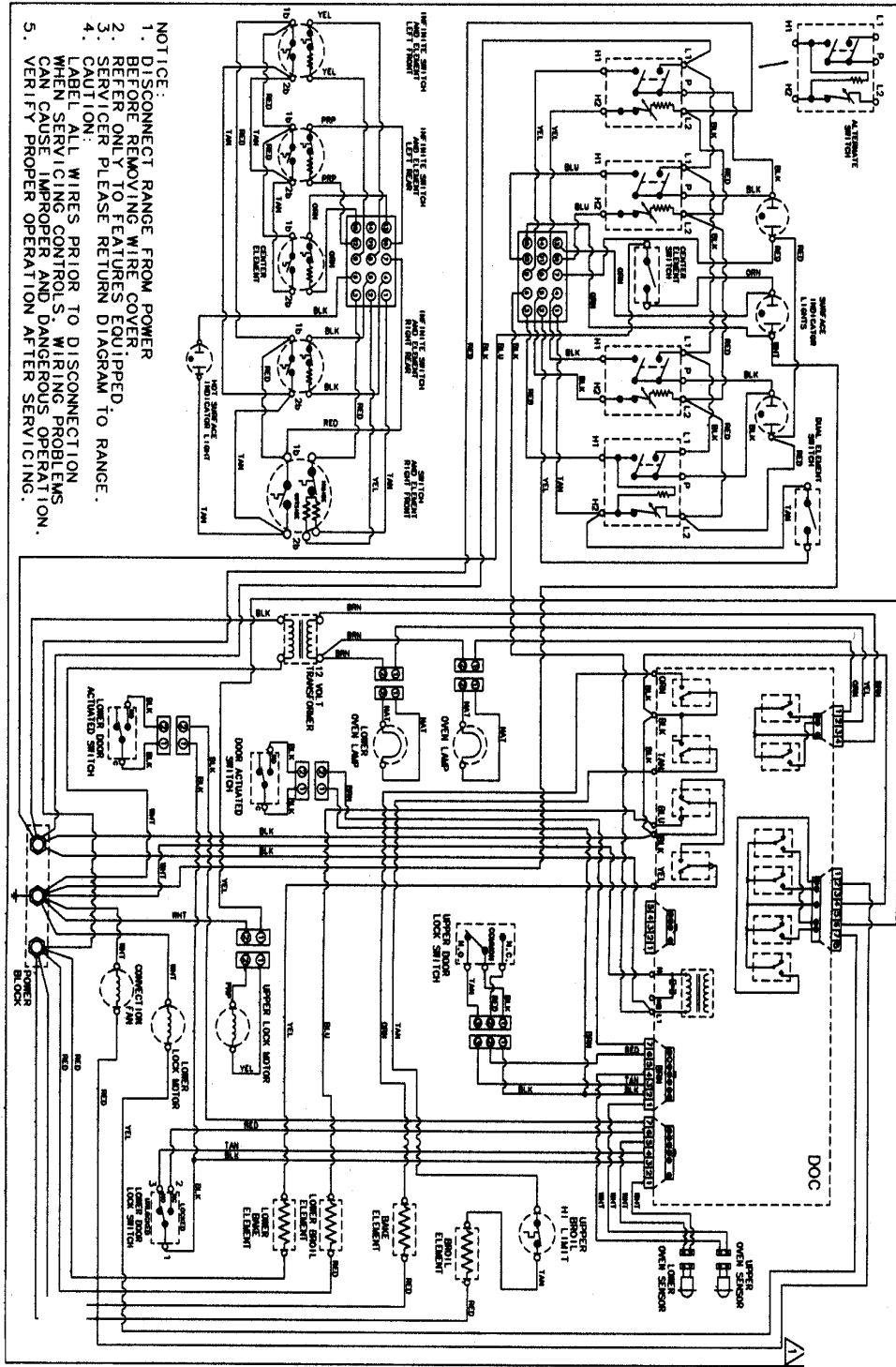
## Section: DOOR (LOWER-BAB/BAQ/BAW)

| No. | Part No.    | Description                                       | Series | Qty |
|-----|-------------|---|--------|-----|
| 1   | 74003642    | LINING, DOOR                                      | 10     | 1   |
| 2   | 74003643    | NUT, SNAP (SQUARE-BLK) Note: NUT, SNAP (SIDE-BLK) | 10     | 4   |
| -   | 74001574    | NUT, SNAP (ROUND-BLK) Note: NUT, SNAP (TOP-BLK)   | 10     | 2   |
| 3   | 7103P039-60 | NUT, SNAP (ROUND-WHT) Note: NUT, SNAP (SIDE-WHT)  | 10     | 2   |
| 4   | 7201P046-60 | GASKET, DOOR                                      | 10     | 1   |
| 5   | 74005546    | SPACER, RUBBER                                    | 10     | 2   |
| 6   | 74003644    | FRAME, GLASS                                      | 10     | 1   |
| 7   | 74003645    | GLASS, INNER                                      | 10     | 2   |
| 8   | 74003664    | TAPE, FOIL 29" X 2"                               | 10     | 1   |
| 9   | 74003647    | INSULATION, OVEN DOOR                             | 10     | 2   |
| 10  | 74003648    | BAFFLE, DOOR                                      | 10     | 1   |
| -   | 74001530    | SCREW (8AB1/2-NI) Note: SCREW, BAFFLE             | 10     | 6   |
| 11  | 74003649    | GLASS, DOOR Note: GLASS, INNER (CLEAR)            | 10     | 1   |
| -   | 74001530    | SCREW (8AB1/2-NI) Note: SCREW, RETAINER           | 10     | 4   |
| 12  | 74003650    | RETAINER, GLASS                                   | 10     | 2   |
| -   | 74001530    | SCREW (8AB1/2-NI) Note: SCREW, TRIM               | 10     | 4   |
| 13  | 74006633    | TRIM, DOOR TOP (WHT)                              | 10     | 1   |
| -   | 7101P373-60 | SCREW (1/2"-WHT) Note: SCREW, TRIM (WHT)          | 10     | 2   |
| -   | 74001278    | SCREW (WHT) Note: SCREW, INSERT (WHT)             | 10     | 2   |
| 14  | 7728P094-60 | INSERT, DOOR TRIM (WHT)                           | 10     | 1   |
| 15  | 74006381    | HANDLE, DOOR (WHT)                                | 10     | 1   |
| 16  | 74006635    | SCREW W/WASHER (HANDLE MTG) Note: SCREW, HANDLE   | 10     | 2   |
| 17  | 74004224    | TAPE, SINGLE SIDED (WHT)                          | 10     | 2   |
| -   | 7101P373-60 | SCREW (1/2"-WHT) Note: SCREW, FRAME (SIDE-WHT)    | 10     | 2   |
| 18  | 74004325    | FRAME, DOOR (WHT)                                 | 10     | 1   |
| 19  | 74004224    | TAPE, SINGLE SIDED (WHT)                          | 10     | 2   |
| 20  | 74006636    | GLASS, DOOR (WHT)                                 | 10     | 1   |
| 21  | 74001530    | SCREW (8AB1/2-NI) Note: SCREW, FRAME (LWR)        | 10     | 3   |

\*Color Code (-)=Not Shown #=Series, Serial Prefix or Run No., N=Not Available

# Section: WIRING INFORMATION

Model: MER6772BAW

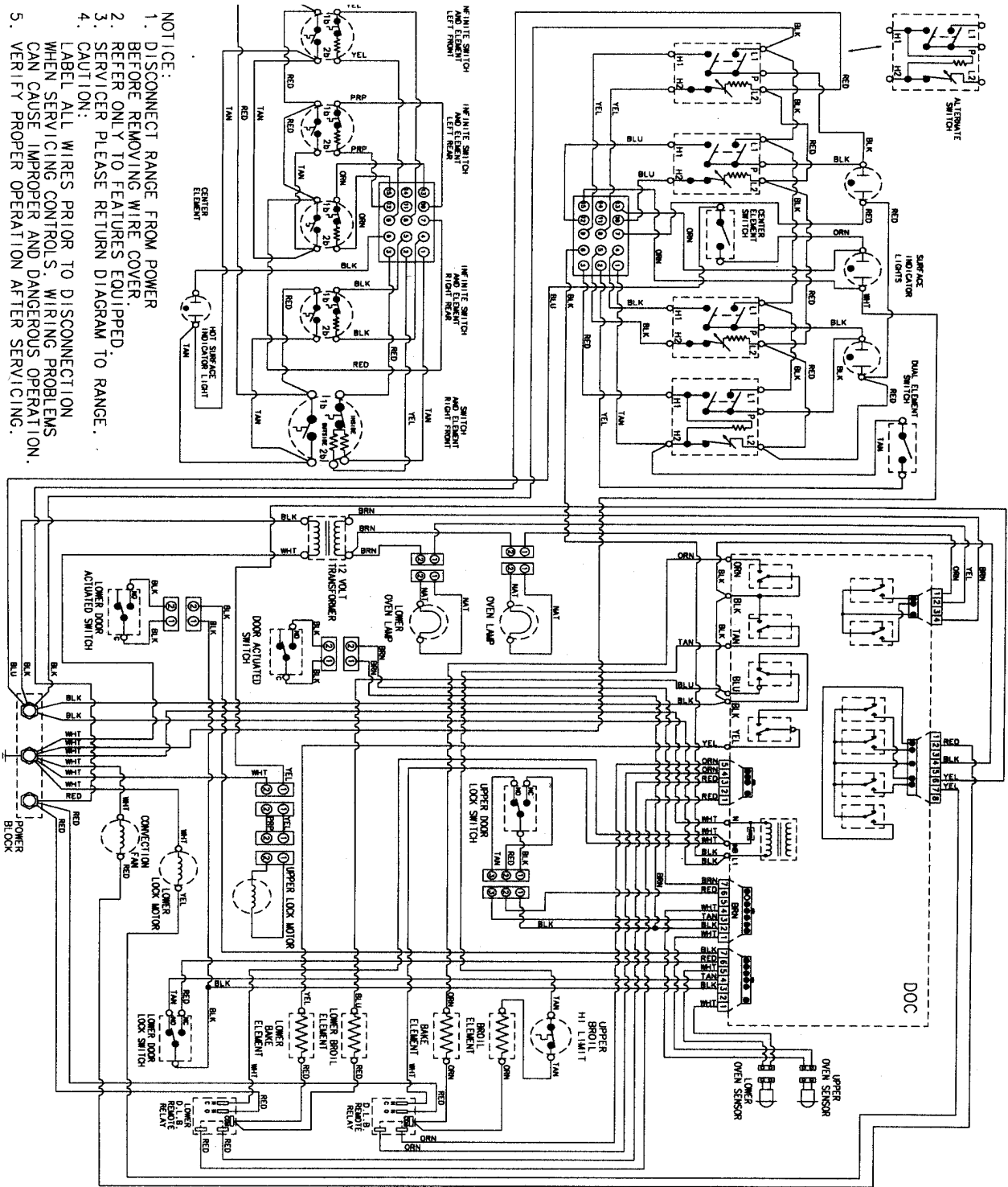


- NOTICE:**
1. DISCONNECT RANGE FROM POWER BEFORE REMOVING WIRE COVER.
  2. REFER ONLY TO FEATURES EQUIPPED.
  3. SERVICER PLEASE RETURN DIAGRAM TO RANGE.
  4. CAUTION: LABEL ALL WIRES PRIOR TO DISCONNECTION WHEN SERVICING CONTROLS. WIRING PROBLEMS CAN CAUSE IMPROPER AND DANGEROUS OPERATION.
  5. VERIFY PROPER OPERATION AFTER SERVICING.



# Section: WIRING INFORMATION (AT VARIOUS SERIES)

## Model: MER6772BAW



- NOTICE:
1. DISCONNECT RANGE FROM POWER BEFORE REMOVING WIRE COVER
  2. REFER ONLY TO FEATURES EQUIPPED.
  3. SERVICER PLEASE RETURN DIAGRAM TO RANGE.
  4. CAUTION: LABEL ALL WIRES PRIOR TO DISCONNECTION WHEN SERVICING CONTROLS. WIRING PROBLEMS CAN CAUSE IMPROPER AND DANGEROUS OPERATION.
  5. VERIFY PROPER OPERATION AFTER SERVICING.

15003398

**Section: WIRING INFORMATION (AT VARIOUS SERIE**

| No. | Part No.   | Description        | Series Qty |
|-----|------------|--------------------|------------|
| -   | N 15003398 | WIRING INFORMATION | 19 1       |

\*Color Code (-)=Not Shown #=Series, Serial Prefix or Run No., N=Not Available



## Free Manuals Download Website

<http://myh66.com>

<http://usermanuals.us>

<http://www.somanuals.com>

<http://www.4manuals.cc>

<http://www.manual-lib.com>

<http://www.404manual.com>

<http://www.luxmanual.com>

<http://aubethermostatmanual.com>

Golf course search by state

<http://golfingnear.com>

Email search by domain

<http://emailbydomain.com>

Auto manuals search

<http://auto.somanuals.com>

TV manuals search

<http://tv.somanuals.com>