

# WALLOVEN

## Repair Parts List

MODEL NUMBER

JJW9630BAB

When requesting service or ordering parts, always provide the following information:

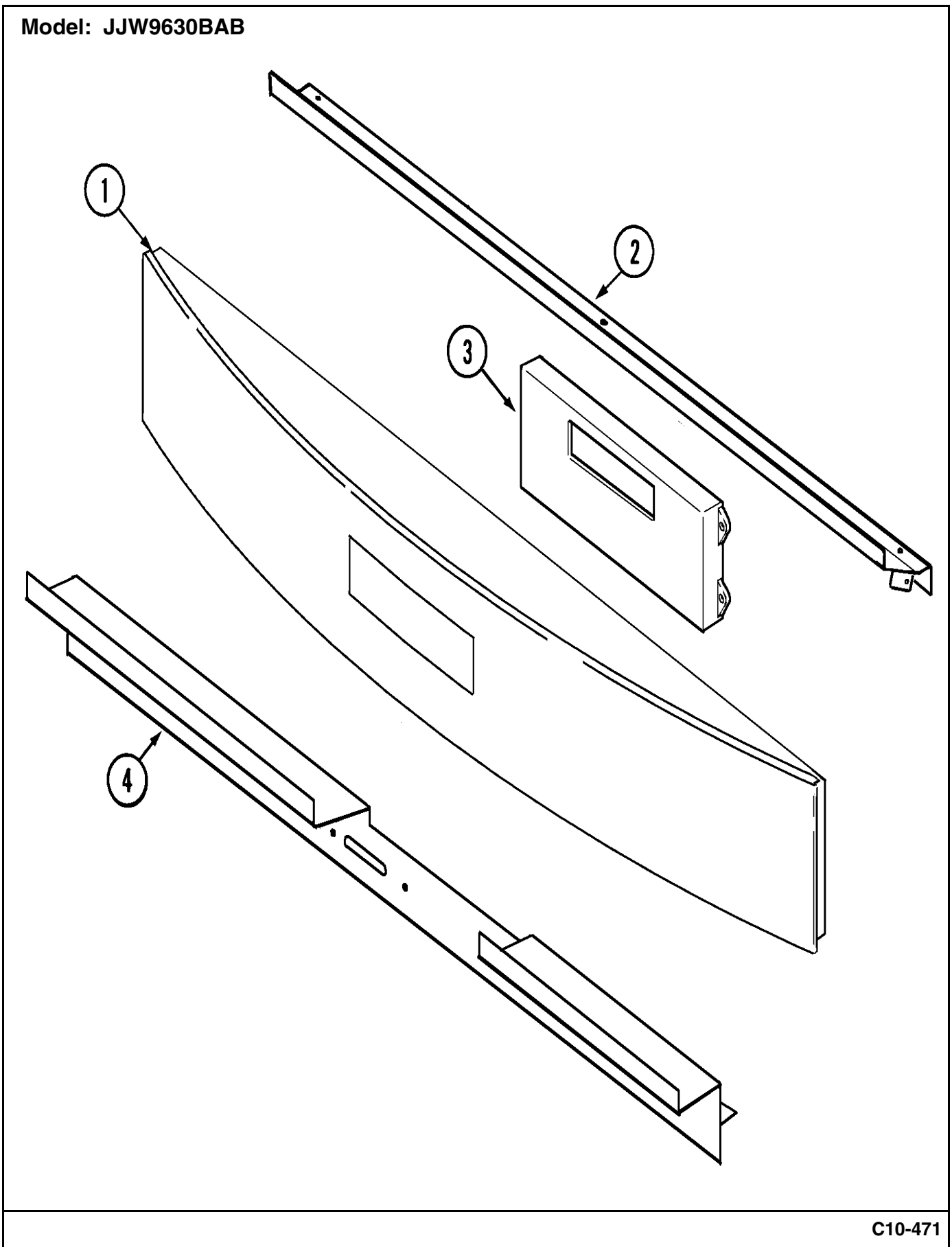
- Product Type
- Part Number
- Model Number
- Part Description

# **MAYTAG**®

©2005 Maytag Services

Section: CONTROL PANEL

Model: JJW9630BAB



C10-471

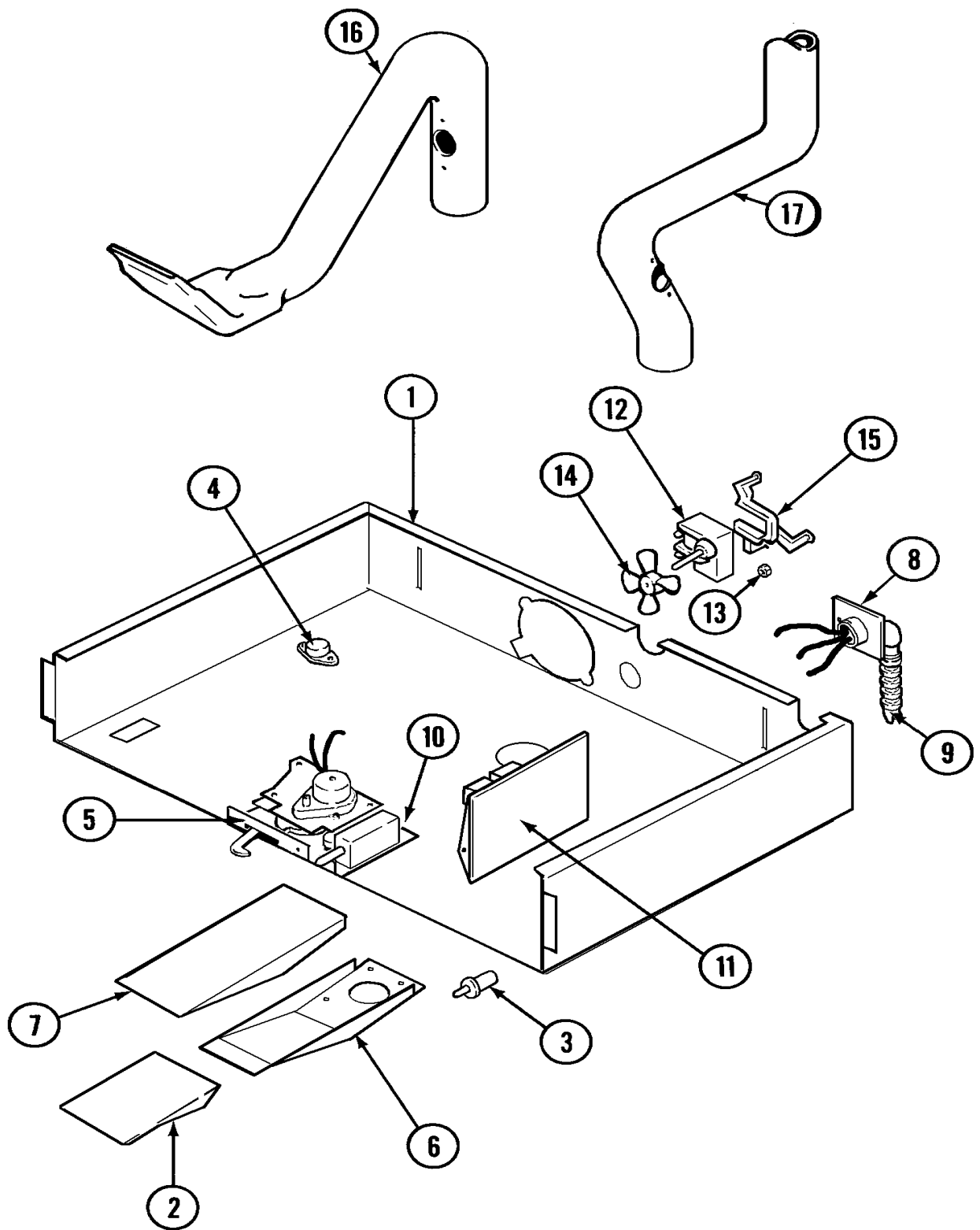
## Section: CONTROL PANEL

| No. | Part No. | Description                               | Series | Qty |
|-----|----------|---|--------|-----|
| 1   | 71003429 | CONTROL PANEL ASSY (BLK)                  | 10     | 1   |
| 2   | 71003405 | SUPPORT, TOP                              | 10     | 1   |
| -   | 790448   | SCREW (8ABX1/2"-BLK) Note: SCREW, SUPPORT | 10     | 2   |
| -   | Y700502  | SCREW Note: SCREW, SUPPORT                | 10     | 7   |
| 3   | 71003401 | CLOCK                                     | 10     | 1   |
| 4   | 71001804 | TRIM, CONTROL PANEL                       | 10     | 1   |
| -   | 71001861 | HARNESS, CONVECT                          | 10     | 1   |
| -   | 74007064 | HARNESS, UPR DR SW. & MTR                 | 16     | 1   |
| -   | 74006939 | HARNESS, SENSOR & RELAY                   | 16     | 1   |
| -   | 74006938 | HARNESS, MAIN (UPR)                       | 16     | 1   |
| -   | 74005199 | HARNESS, SENSOR (LWR)                     | 10     | 1   |
| -   | 74005197 | HARNESS (CONTROL/SENSOR)(LWR)             | 10     | 1   |
| -   | 71003404 | HARNESS, CONTROL/RELAY BOARD              | 10     | 1   |
| -   | 71003403 | HARNESS, TOUCH PAD/CLOCK                  | 10     | 1   |
| -   | 71001892 | HARNESS, RELAY BOARD (J7)                 | 10     | 1   |
| -   | 71001868 | HARNESS, MEAT PROBE                       | 10     | 1   |
| -   | 74007137 | HARNESS, LOWER MAIN                       | 16     | 1   |
| -   | 71001877 | HARNESS, DOOR LOCK (LWR)                  | 10     | 1   |
| -   | 71001876 | HARNESS, DOOR SWITCH (LWR)                | 10     | 1   |
| - N | 71001809 | HARNESS, DOOR LOCK (UPR)                  | 10     | 1   |
| - N | 71001808 | HARNESS, DOOR SWITCH (UPR)                | 10     | 1   |
| -   | 71001798 | HARNESS, WIRE CONTROL (J2)                | 10     | 1   |
| - N | 71003508 | COOKBOOK                                  | 10     | 1   |
| -   | 74005475 | GUIDE, COOKING (TRILINGUAL)               | 10     | 1   |
| -   | 74005656 | MANUAL, USE & CARE                        | 10     | 1   |

\*Color Code (-)=Not Shown #=Series, Serial Prefix or Run No., N=Not Available

Section: INTERNAL CONTROLS

Model: JJW9630BAB



C17-86

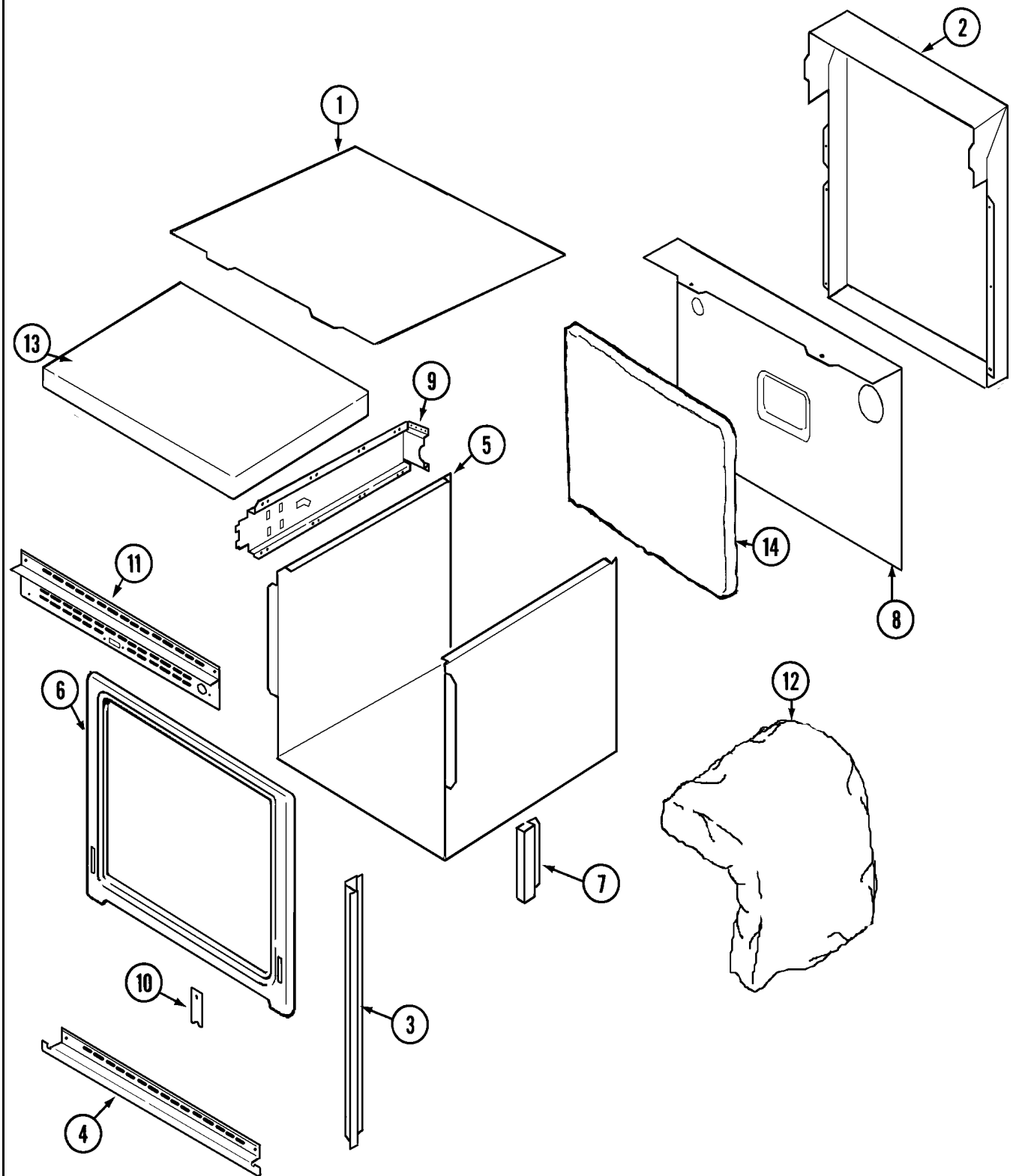
## Section: INTERNAL CONTROLS

| No.  | Part No. | Description   | Series | Qty |
|------|----------|---|--------|-----|
| 1    | 74004628 | PANEL, TOP (INR)  | 10     | 1   |
| 2    | 71001843 | EXTENSION, VENT   | 10     | 1   |
| 3    | 71001129 | SWITCH, DOOR LOCK   | 10     | 2   |
| 4    | 71001887 | THERMOSTAT, FIXED Note: THERMOSTAT, HI-LIMIT (LWR)                | 10     | 1   |
| 4    | 71001844 | THERMOSTAT, HI-LIMIT Note: THERMOSTAT, HI-LIMIT (UPR)             | 10     | 1   |
| -    | Y700502  | SCREW Note: SCREW, THERMOSTAT                                     | 10     | 4   |
| 5    | 71001845 | LATCH, DOOR ASSY. Note: LATCH, DOOR ASSY. (LIGHT SWITCH INCLUDED) | 10     | 2   |
| 6    | 71001846 | VENT (BTM)  | 10     | 1   |
| 7    | 71001847 | VENT (TOP)  | 10     | 1   |
| 8    | 74004712 | BRACKET, CABLE  | 10     | 1   |
| 9    | 71001888 | WIRE CABLE ASSY.  | 10     | 2   |
| 10   | 71002904 | SWITCH, DOOR LIGHT  | 10     | 2   |
| 11   | 71003399 | BOARD, RELAY (LOWER)  | 10     | 1   |
| 11   | 71003402 | BOARD, RELAY (UPPER) Note: BOARD, RELAY (UPPER)                   | 10     | 1   |
| 12   | 71001851 | FAN MOTOR ASSY.   | 10     | 1   |
| 13   | 701719   | NUT, HEX Note: NUT, FAN   | 10     | 2   |
| 14   | 71001852 | BLADE, FAN  | 10     | 1   |
| 15   | 71001853 | BRACKET, FAN  | 10     | 1   |
| 16   | 71002417 | TUBE, VENT (UPR)  | 10     | 1   |
| 17 N | 71002418 | TUBE, VENT (LWR)  | 10     | 1   |

\*Color Code (-)=Not Shown #=Series, Serial Prefix or Run No., N=Not Available

Section: BODY

Model: JJW9630BAB



C14-724

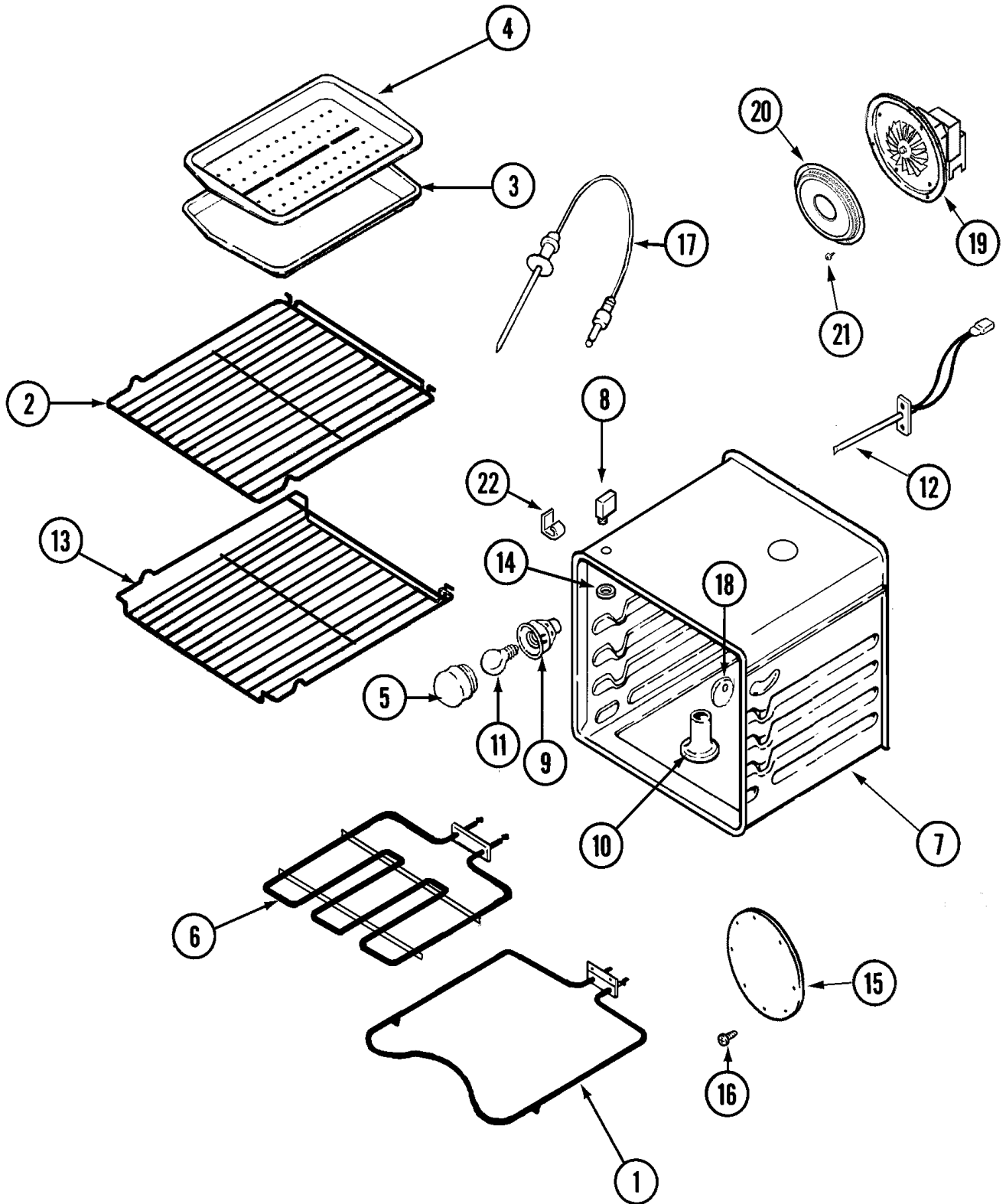
## Section: BODY

| No. | Part No.   | Description  | Series | Qty |
|-----|------------|--|--------|-----|
| 1   | 71001811   | TOP, OVEN (OUTER) Note: TOP (OUTER)                      | 10     | 1   |
| 1   | 71001885   | PANEL, TOP (INR-CTR) Note: TOP (INNER-CTR)               | 10     | 1   |
| -   | Y700502    | SCREW Note: SCREW, TOP                                   | 10     | 53  |
| 2   | N 71001883 | BACK, OUTER (LWR) Note: BACK, OUTER (LWR)                | 10     | 1   |
| 2   | 71001878   | BACK, OUTER (UPR)  | 10     | 1   |
| 3   | 74005665   | TRIM, SIDE (BLK)   | 10     | 2   |
| -   | Y700502    | SCREW Note: SCREW, TRIM                                  | 10     | 12  |
| 4   | 74005643   | TRIM, OVEN (LWR-BLK) Note: TRIM, OVEN (LWR-BLK)          | 10     | 1   |
| -   | Y706189    | SCREW Note: SCREW, TRIM (BLK)                            | 10     | 3   |
| 5   | 74005645   | PANEL, OVEN (SIDE/BTM/SIDE) Note: PANEL, SIDE (BTM-SIDE) | 10     | 2   |
| 6   | 71003180   | FRAME, OVEN  | 10     | 2   |
| 7   | 71001828   | RECEPTACLE, HINGE ASSY.                                  | 10     | 4   |
| 8   | 74004629   | PANEL, BACK (INR)  | 10     | 2   |
| 9   | 04100669   | SUPPORT (CTR) Note: SUPPORT, CENTER                      | 10     | 2   |
| -   | 71003411   | PLATE, COVER (CENTER SUPPORT) Note: PLATE, COVER         | 10     | 1   |
| 10  | 71001812   | PLATE, HINGE TRAP Note: PLATE, HINGE TRAP                | 10     | 4   |
| -   | Y706189    | SCREW Note: SCREW, EXTRUSION (BLK)                       | 10     | 6   |
| 11  | 71003400   | EXTRUSION, CENTER (BLK)                                  | 10     | 1   |
| 12  | 71001817   | INSULATION (WRAP)  | 10     | 2   |
| 13  | 71003614   | INSULATION (BTM) Note: INSULATION (BOTTOM)               | 10     | 2   |
| 14  | 71002329   | INSULATION (BACK-TOP) Note: INSULATION (BACK/TOP)        | 10     | 2   |
| -   | 71002264   | SCREW (BLK) Note: SCREW, INSTALLATION (BLK)              | 10     | 8   |

\*Color Code (-)=Not Shown #=Series, Serial Prefix or Run No., N=Not Available

Section: OVEN

Model: JJW9630BAB



C12-407



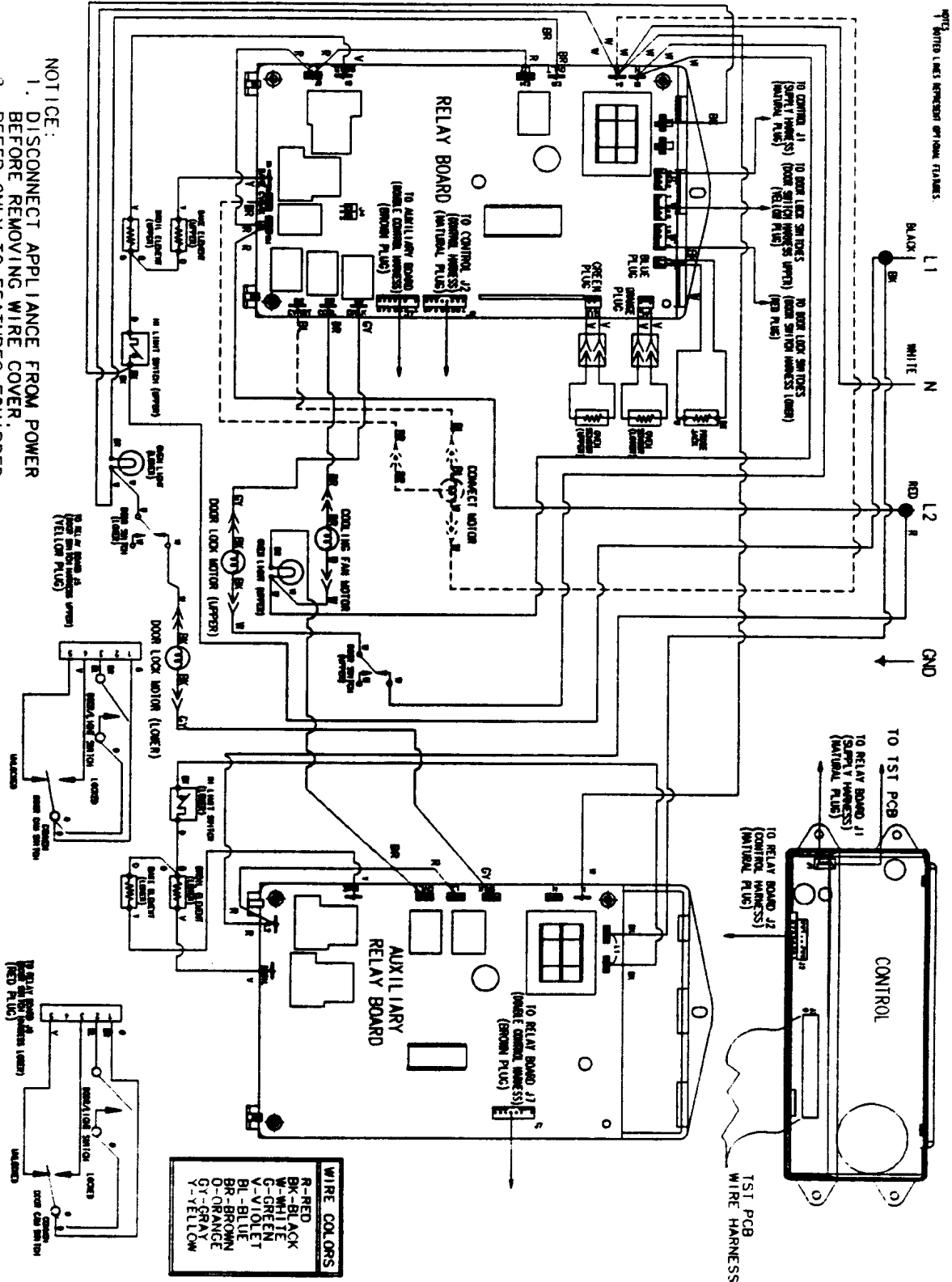
## Section: OVEN

| No. | Part No.    | Description                               | Series | Qty |
|-----|-------------|---|--------|-----|
| 1   | 71001638    | ELEMENT, BAKE                             | 10     | 2   |
| -   | 71001394    | SCREW Note: SCREW, ELEMENT                | 10     | 2   |
| 2   | 71001862    | RACK, OVEN                                | 10     | 3   |
| 3   | 3401F014-19 | PAN, BROIL                                | 10     | 1   |
| 3   | Y3401F02019 | PAN, BROIL                                | 13     | 1   |
| 4   | 703165      | INSERT, BROIL PAN                         | 10     | 1   |
| 4   | Y3413F01619 | INSERT, BROIL PAN                         | 13     | 1   |
| 5   | 71001867    | LENS, BULB                                | 10     | 2   |
| 6   | 74004812    | ELEMENT, BROIL                            | 10     | 2   |
| -   | 71001394    | SCREW Note: SCREW, ELEMENT                | 10     | 2   |
| -   | 71001403    | WASHER, ALUM Note: WASHER, OVEN WELD      | 10     | 4   |
| 7   | 71003005    | OVEN WELD ASSY.                           | 10     | 2   |
| -   | 71001394    | SCREW Note: SCREW, OVEN WELD              | 10     | 18  |
| 8   | 71001863    | RECEPTACLE, PROBE                         | 10     | 1   |
| 9 N | 71001866    | RECEPTACLE, BULB                          | 10     | 2   |
| 10  | 71002419    | TUBE, VENT                                | 10     | 2   |
| 11  | 707319      | BULB, OVEN (40 WATT BRASS)                | 10     | 2   |
| 12  | 71003083    | PROBE, OVEN SENSOR                        | 10     | 2   |
| 13  | 71001865    | RACK, OVEN (OFFSET)                       | 10     | 2   |
| 14  | 703356      | NUT, HEX 3/8" Note: NUT, PROBE RECEPTACLE | 10     | 1   |
| 15  | 71002903    | PLATE, NON-CONVECT                        | 10     | 1   |
| 16  | 71001394    | SCREW Note: SCREW, PLATE                  | 10     | 3   |
| -   | 702592      | WASHER Note: WASHER, PLATE                | 10     | 3   |
| 17  | 71001870    | PROBE, TEMP                               | 10     | 1   |
| 18  | 702929      | BUTTON, PLUG                              | 10     | 2   |
| 19  | 74005657    | MOTOR ASSY, CONVECTION                    | 10     | 1   |
| 20  | 74005658    | PLATE, CONVECTION (FRT)                   | 10     | 1   |
| 21  | 71001394    | SCREW Note: SCREW, PLATE                  | 10     | 6   |
| -   | 702592      | WASHER Note: WASHER, PLATE                | 10     | 3   |
| 22  | 71001170    | CLIP, OVEN                                | 10     | 2   |

\*Color Code (-)=Not Shown #=Series, Serial Prefix or Run No., N=Not Available

Section: WIRING INFORMATION

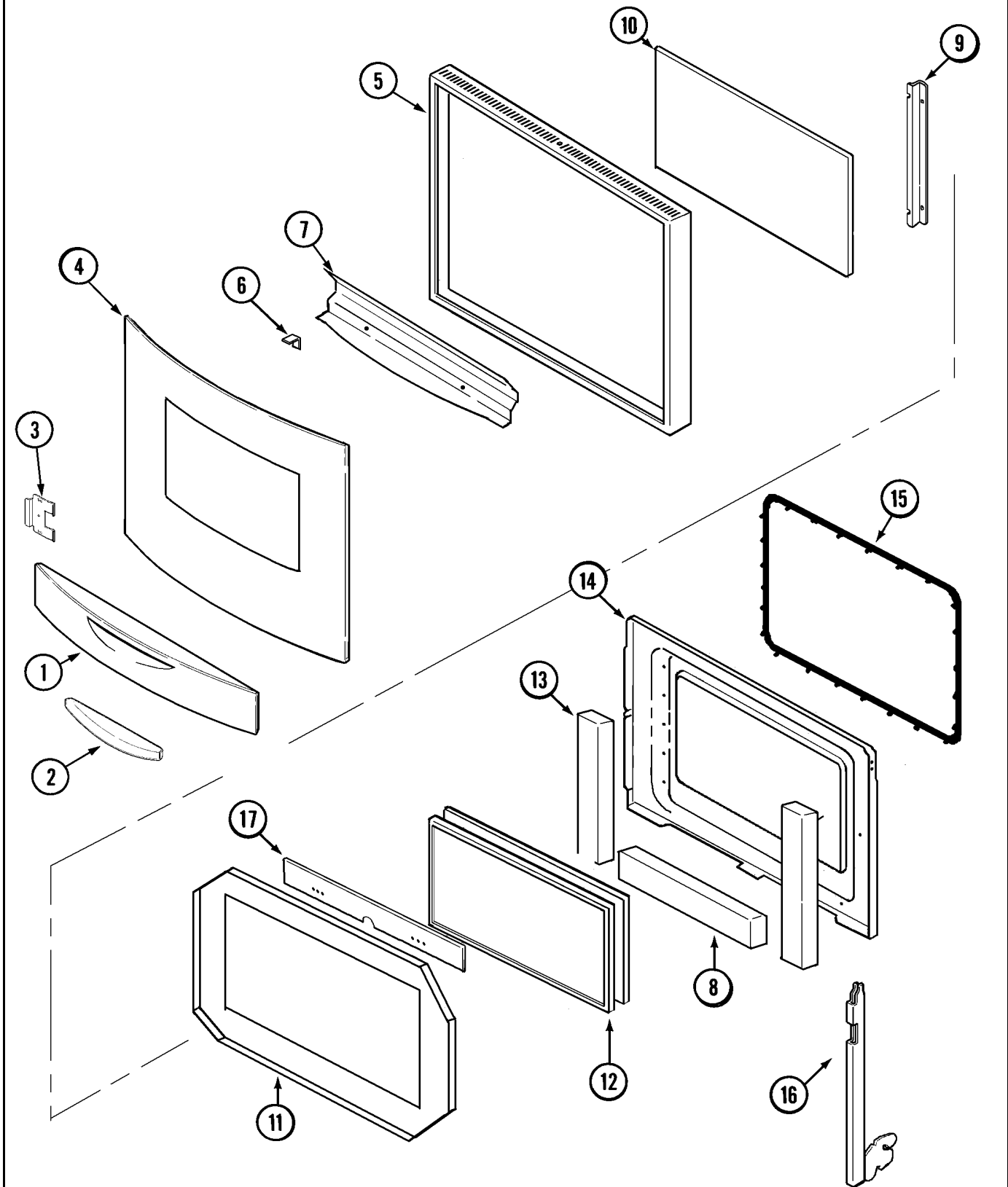
Model: JJW9630BAB



15002513

Section: DOOR (UPPER & LOWER)

Model: JJW9630BAB



C11-700

## Section: DOOR (UPPER & LOWER)

| No. | Part No.    | Description                         | Series | Qty |
|-----|-------------|-------------------------------------|--------|-----|
| 1   | 74005646    | HANDLE, DOOR (BLK)                  | 10     | 2   |
| -   | 71001183    | SCREW (#8AB) Note: SCREW, HANDLE    | 10     | 6   |
| -   | 7109P036-60 | WASHER Note: WASHER, POCKET         | 10     | 4   |
| 2   | 74005592    | POCKET, HANDLE (BLK)                | 10     | 2   |
| -   | 74003132    | SCREW Note: SCREW, POCKET           | 10     | 4   |
| 3   | 71003386    | BRACKET, HANDLE                     | 10     | 4   |
| 4   | 74005618    | GLASS, DOOR (BLK)                   | 10     | 2   |
| 5   | 74006310    | FRAME, DOOR (BLK)                   | 14     | 2   |
| 5   | 71003394    | FRAME, DOOR (BLK)                   | 10     | 2   |
| -   | Y706189     | SCREW Note: SCREW, FRAME (BLK)      | 10     | 12  |
| -   | Y700725     | SCREW Note: SCREW, LATCH            | 10     | 2   |
| 6   | 71001831    | PLATE, LATCH                        | 10     | 2   |
| 7   | N 71003396  | SHIELD, HEAT                        | 10     | 2   |
| -   | 790058      | GASKET, WINDOW Note: GASKET, SHIELD | 10     | 2   |
| 8   | 71001838    | INSULATION, DOOR (BTM)              | 10     | 2   |
| 9   | 74003650    | RETAINER, GLASS                     | 10     | 4   |
| -   | Y700502     | SCREW Note: SCREW, BRACKET          | 10     | 8   |
| 10  | 74005640    | GLASS, DOOR (INNER)                 | 10     | 2   |
| -   | 715634      | NUT Note: NUT, RETAINER             | 10     | 12  |
| 11  | 74005648    | RETAINER, INSULATION                | 10     | 2   |
| 12  | 74005641    | WINDOW ASSEMBLY                     | 10     | 2   |
| 13  | 71001839    | INSULATION, DOOR (SIDE)             | 10     | 4   |
| 14  | 74005642    | LINER, OVEN DOOR                    | 10     | 2   |
| 15  | 71001841    | SEAL, DOOR                          | 10     | 2   |
| 16  | 71003350    | HINGE, DOOR                         | 10     | 4   |
| -   | 7101P270-60 | SCREW, BLACK Note: SCREW, HINGE     | 10     | 4   |
| 17  | 74005614    | HEAT SINK                           | 10     | 2   |
| -   | 71001394    | SCREW Note: SCREW, HEAT SINK        | 10     | 8   |
| -   | 74004226    | SPACER, DEHYDRATION DOOR            | 10     | 1   |

\*Color Code (-)=Not Shown #=Series, Serial Prefix or Run No., N=Not Available



## Free Manuals Download Website

<http://myh66.com>

<http://usermanuals.us>

<http://www.somanuals.com>

<http://www.4manuals.cc>

<http://www.manual-lib.com>

<http://www.404manual.com>

<http://www.luxmanual.com>

<http://aubethermostatmanual.com>

Golf course search by state

<http://golfingnear.com>

Email search by domain

<http://emailbydomain.com>

Auto manuals search

<http://auto.somanuals.com>

TV manuals search

<http://tv.somanuals.com>