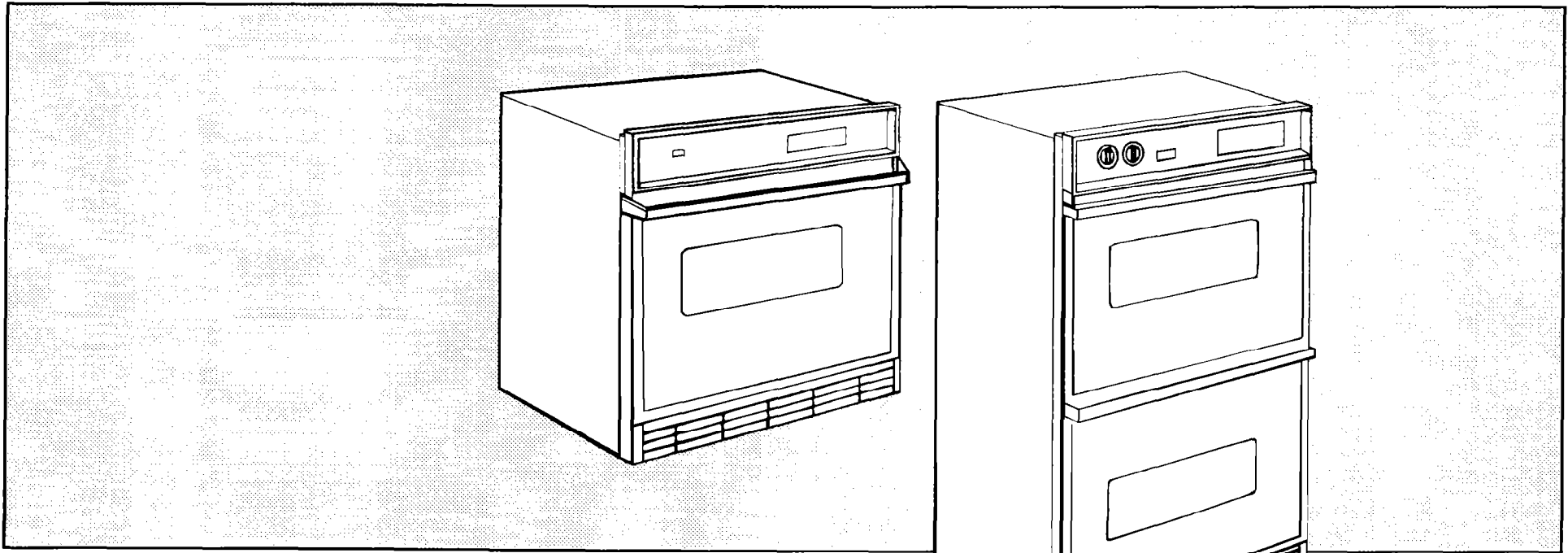


Installation Instructions



Part No. 3183636 Rev. D

IMPORTANT:
Read and save
these instructions.

IMPORTANT:

Installer: Leave Installation Instructions with the homeowner.

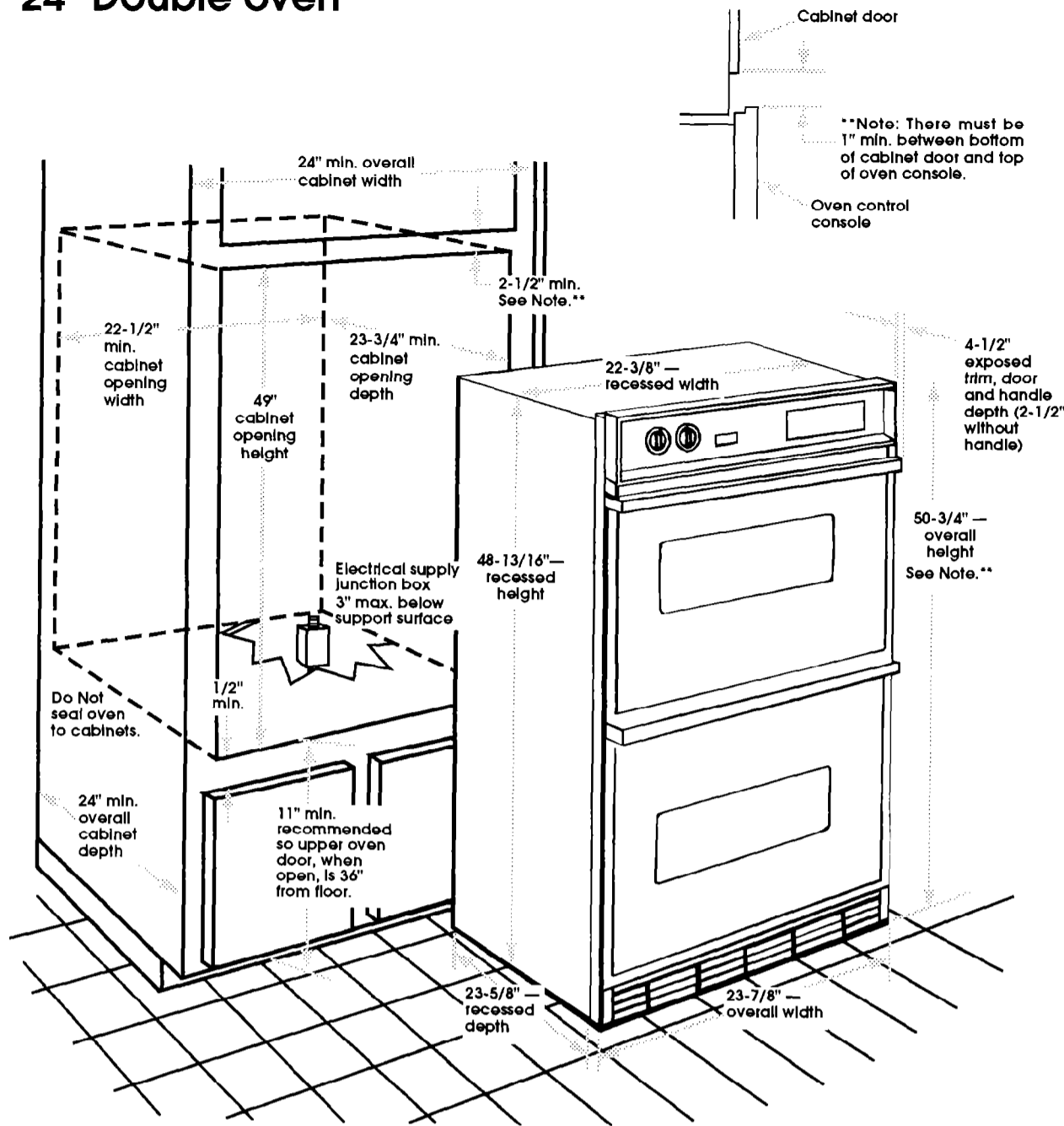
Homeowner: Keep Installation Instructions for future reference.

Save Installation Instructions for local electrical inspector's use.

**24" and 27" Electric
Built-in Single and
Double Ovens**



24" Double oven



Before you start...

Read the electrical and carpentry instructions. Proper installation is your responsibility. A qualified technician should install this oven. Make sure you have everything necessary for correct installation. It is the responsibility of the installer to comply with the installation clearances specified on the serial/rating plate. The serial/rating plate can be found behind the door (double oven models — upper oven) on the oven frame.

Check location where the built-in oven will be installed. The location should be away from strong draft areas, such as windows, doors, and strong heating vents. The built-in oven should be located for convenient use in the kitchen.

Cabinet opening dimensions that are shown must be used. Given dimensions provide minimum clearance. Contact surface must be solid and level.

The recessed installation area must provide complete enclosure around the recessed portion of the oven.

ALL OPENINGS IN THE WALL OR FLOOR WHERE THE BUILT-IN OVEN IS TO BE INSTALLED MUST BE SEALED.

Electrical ground is required. See "Electrical requirements."

Do Not install single oven in a base cabinet

NOTE:

The oven support surface must be flush with the bottom of the cabinet opening.

Important: Observe all governing codes ordinances.

! WARNING

Electrical Shock Hazard

It is the customer's responsibility:

- To contact a qualified electrical installer.
- To assure that the electrical installation is adequate and in conformance with National Electrical Code, ANSI/NFPA 70 — latest edition*, and all local codes and ordinances.

Failure to do so could result in fire, electrical shock or other personal injury.

Personal Injury Hazard

Securely fasten oven to cabinet using the screws provided (2 screws for a single oven or 4 screws for a double oven).

Failure to do so could cause the oven to move or tip during use and result in personal injury.

Copies of the standards listed may be obtained from:

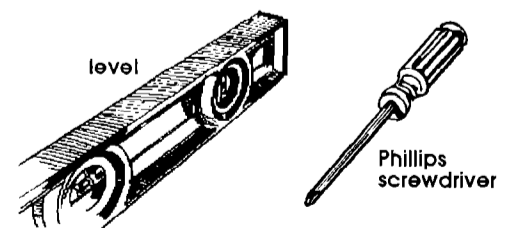
* National Fire Protection Association
Batterymarch Park
Quincy, Massachusetts 02269

! CAUTION

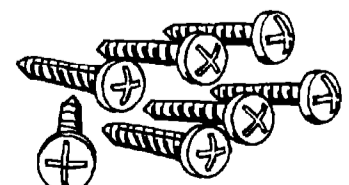
Cabinet Damage

Do Not block the oven vent. Blocking the oven vent may cause damage and poor baking performance.

Tools needed for installation:

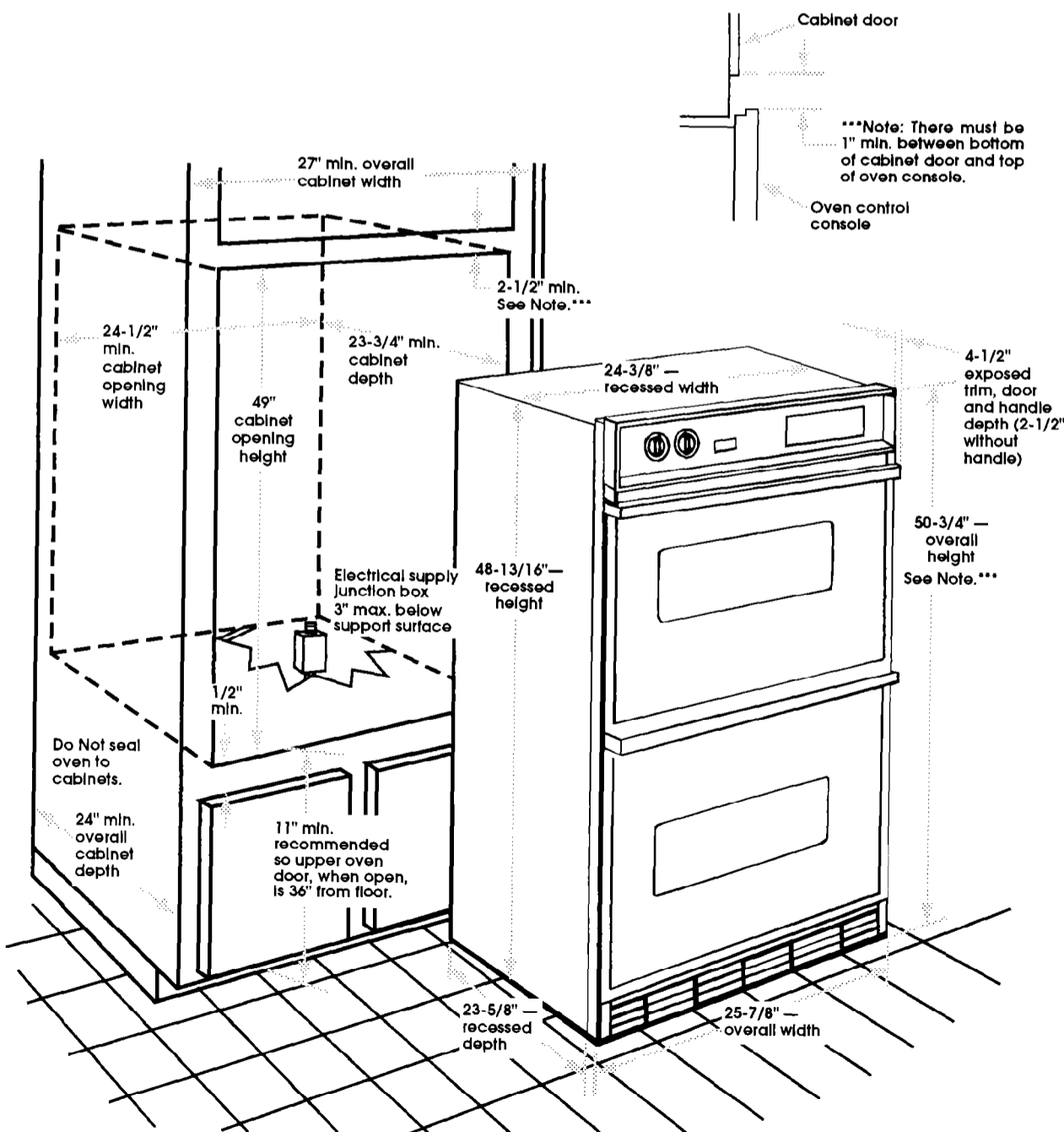


Parts supplied for installation:

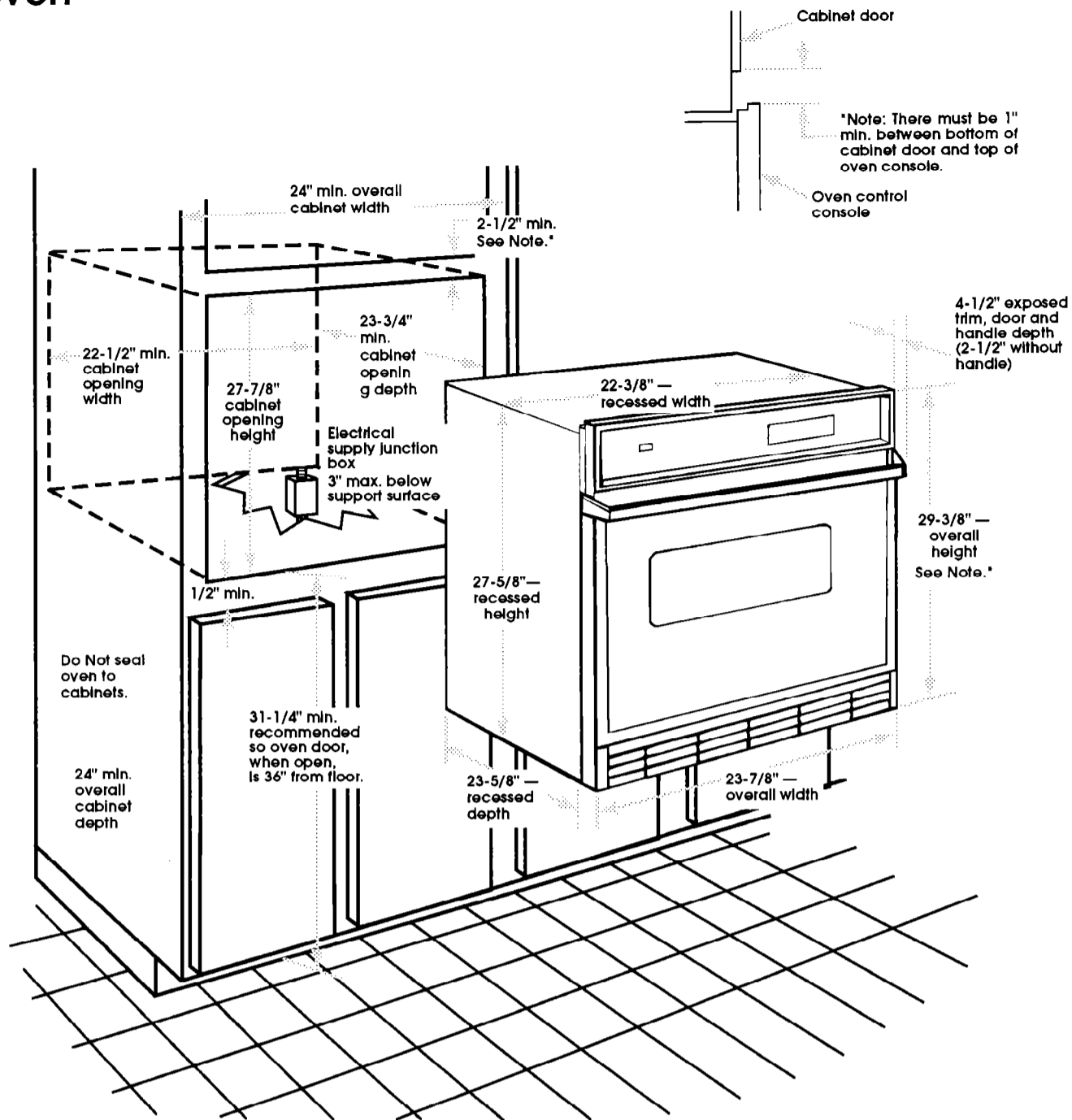


5 screws (single oven)
7 screws (double oven)

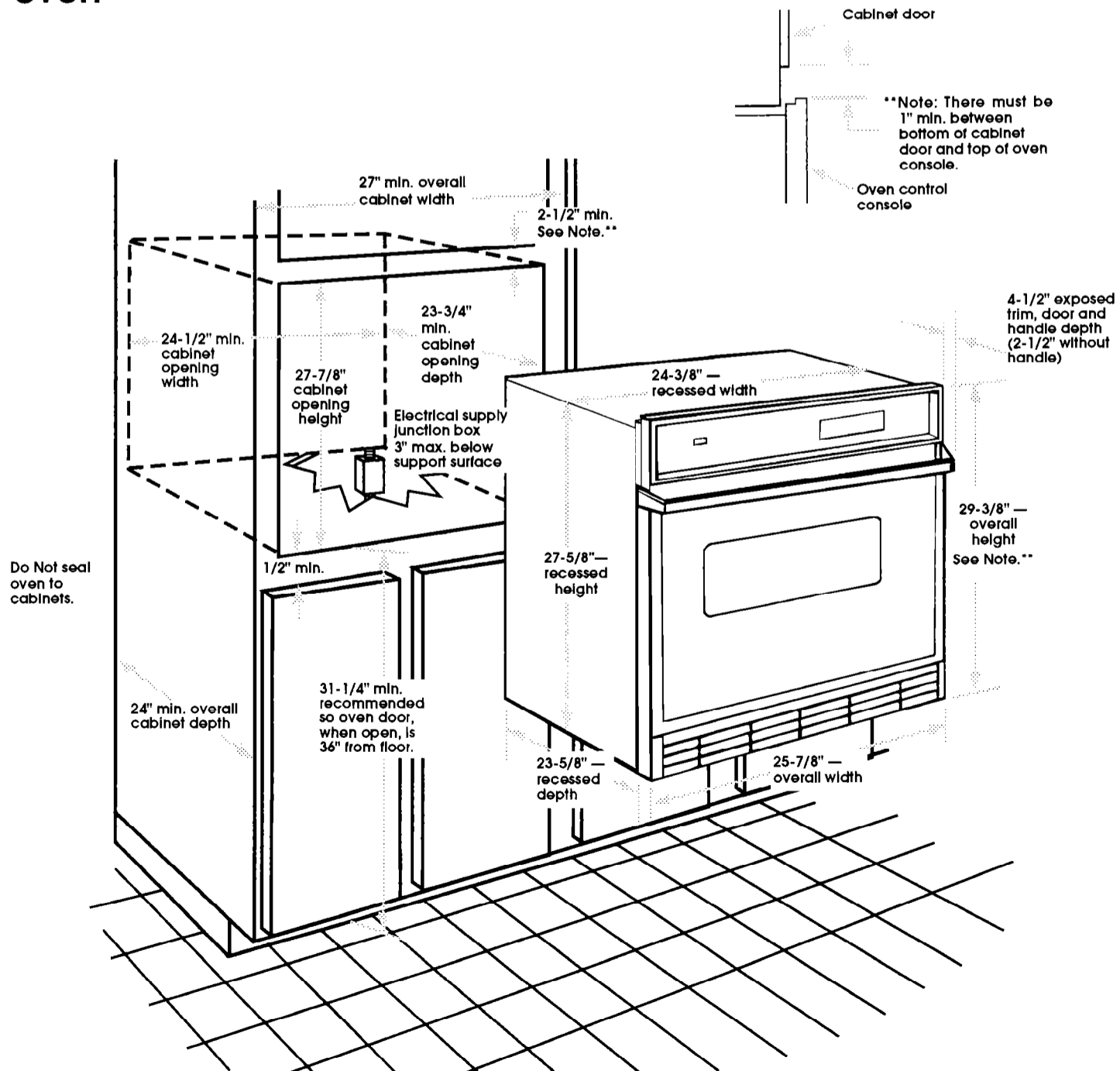
27" Double oven



24" Single oven



27" Single oven



Electrical requirements

⚠ WARNING

Electrical Shock Hazard

- Electrical ground is required on this appliance.
 - Do Not ground to a gas pipe.
 - Do Not have a fuse in the neutral or grounding circuit. A fuse in the neutral or grounding circuit could result in an electrical shock.
 - Check with a qualified electrician if you are in doubt as to whether the appliance is properly grounded.
- Failure to follow these instructions could result in serious injury or death.

If codes permit and a separate grounding wire is used, it is recommended that a qualified electrician determine that the grounding path is adequate.

IMPORTANT:

Save Installation Instructions for the local electrical inspector's use.

A. This appliance **must** be connected to the proper electrical voltage and frequency as specified on the serial/rating plate located behind the oven door (double oven models — upper oven) on the front frame. Models rated at 7.0 kw on 240 volts (5.3 kw on 208 volts) or more require a separate 40-ampere circuit. Fuse both sides of the line. A time-delay fuse or circuit breaker is recommended.

B. OVEN MUST BE CONNECTED WITH COPPER WIRE ONLY.

C. Wire sizes and connections must conform to the requirements of the National Electrical Code, ANSI/NFPA 70 — latest edition*, and all local codes and ordinances. Wire sizes and connections must conform with the rating of the appliance.

Copies of the standards listed may be obtained from:

* National Fire Protection Association
Batterymarch Park
Quincy, Massachusetts 02269

D. This appliance should be connected directly to the fused disconnect (or circuit breaker box) through flexible, armored or non-metallic sheathed, copper cable (with grounding wire). The flexible armored cable from the appliance should be connected directly to the junction box.

E. Locate the junction box to allow as much slack in the cable as possible between the junction box and the appliance so that the oven can be moved if servicing is ever necessary. Do Not cut the conduit.

F. A U.L.-listed conduit connector **must** be provided at the junction box.

G. A wiring diagram is included in the Tech Sheet. The Tech Sheet is located behind the control panel.

Electrical connection

⚠ WARNING

Electrical Shock Hazard

- Electrical ground is required on this appliance.
- Do Not connect to the electrical supply until appliance is permanently grounded.
- Disconnect power to the junction box before making the electrical connection.
- This appliance must be connected to a grounded, metallic, permanent wiring system, or a grounding connector should be connected to the grounding terminal or wire lead on the appliance.

Failure to do so could result in a fire, personal injury or electrical shock.

This appliance is manufactured with white (neutral) power supply wire and a cabinet-connected green grounding wire twisted together.

Connect the appliance cable to the junction box through the U.L.-listed conduit connector. Complete electrical connection according to local codes and ordinances.

A. Where local codes permit...

connecting of the cabinet-grounding conductor to the neutral (white) junction box wire:

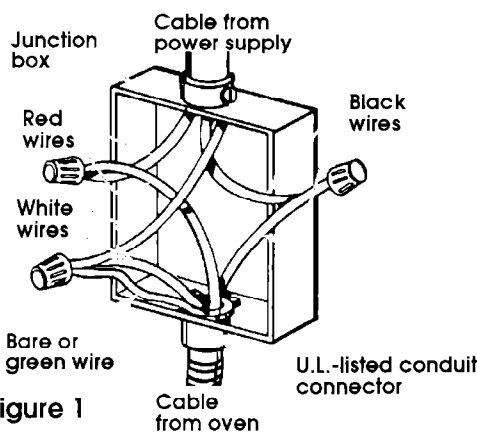


Figure 1

Grounded Neutral

1. Disconnect the power supply.
2. Remove the terminal block cover.
3. Connect together 3 wires: green and white appliance cable wires and the neutral (white) wire in junction box.
4. Connect the two black wires together; then the two red wires together. See Figure 1.

B. Where local codes Do Not permit...

connecting the cabinet-grounding conductor to the neutral (white) junction box wire:

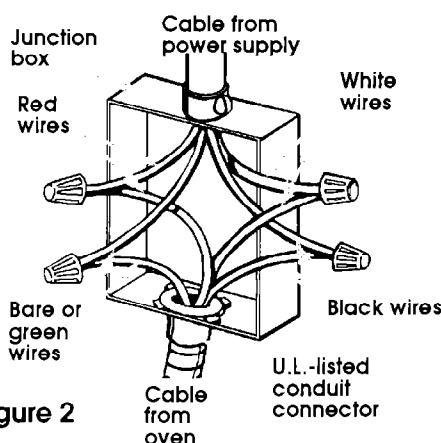


Figure 2

Ungrounded Neutral

1. Disconnect power supply.
2. Separate the green and white appliance cable wires.
3. Connect the white appliance cable wire to the neutral (white) wire in the junction box.
4. Connect the two black wires together; then the two red wires together. See Figure 2.
5. Connect the green or bare grounding wire from the appliance cable to a grounded wire in the junction box.

C. If connecting to a four-wire electrical system...

Do Not connect the cabinet-grounding conductor to the neutral (white) junction box wire.

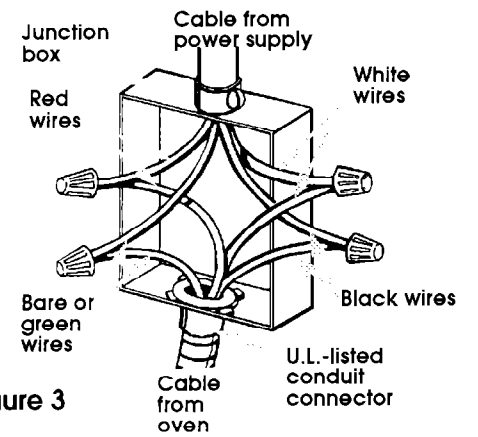


Figure 3

1. Disconnect the power supply.
2. Separate the green (or bare) and white appliance cable wires.
3. Connect the white appliance cable wire to the neutral (white) wire in the junction box.
4. Connect the two black wires together; then the two red wires together. See Figure 3.
5. Connect the green appliance cable wire to the green grounding wire in the junction box.

Now start...
with oven in kitchen.

1. Remove shipping materials, tape, and protective film from oven. **Do Not remove shipping base at this time.**

2. Remove the racks and other parts from inside the oven.

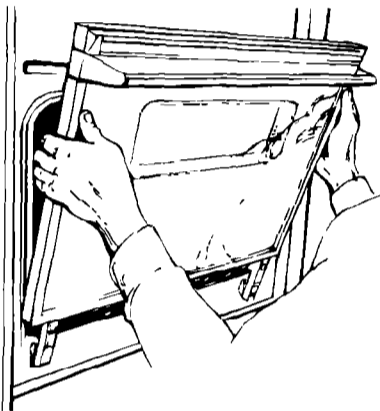
! WARNING

Personal Injury Hazard

- Use both hands to remove oven doors.
- Grasp only the sides of oven doors.
- Do Not use handle or any portion of the front frame or trim for lifting.
- Because of the weight and size of the ovens, two or more people are needed to move and safely install the ovens.

Failure to properly grasp the oven doors or to lift ovens properly could result in damage to the product or personal injury.

3. Completely open the lower oven door. Remove the two oven door screws. (Not all models have oven door screws.)

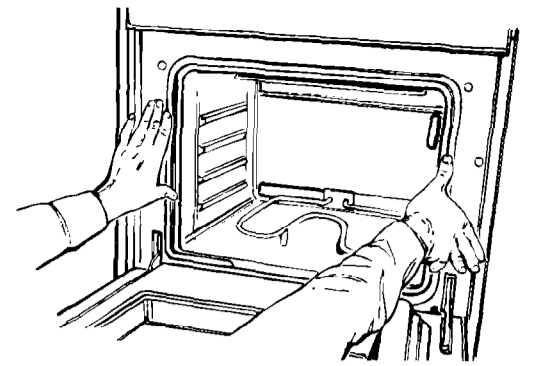


4. Close lower or single oven door to the broil position. Grasp the sides of the oven door and pull the door up and out of the hinge slots to remove. Set door aside.

5. Repeat Steps 3 and 4 for upper oven.

! CAUTION

Property Damage
Before moving ovens across floor, check that ovens are on shipping base or slide ovens onto cardboard or hardboard.
Failure to follow these instructions may result in damage to floor covering.

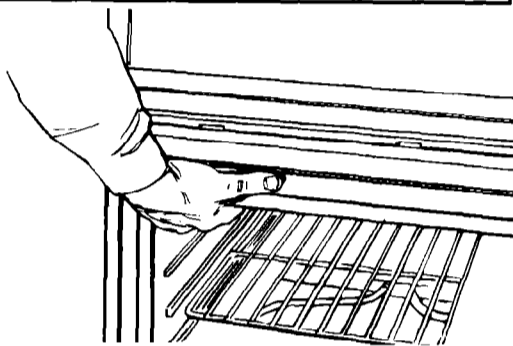


Push against seal area of front frame to push oven into cabinet.

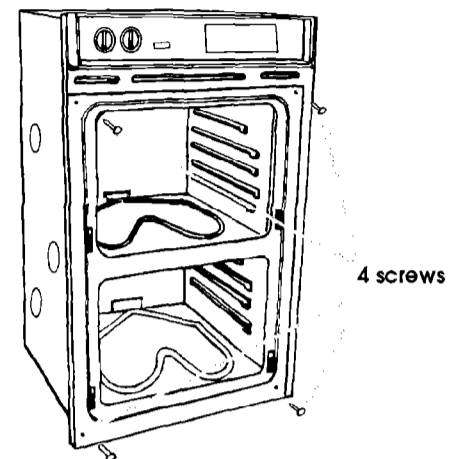
6. Turn power supply off. Move oven close to final position. Remove and discard shipping base. Feed appliance cable through the opening in cabinet. Make electrical connection. See "Electrical requirements" and "Electrical connection" sections, Panel C.

! CAUTION

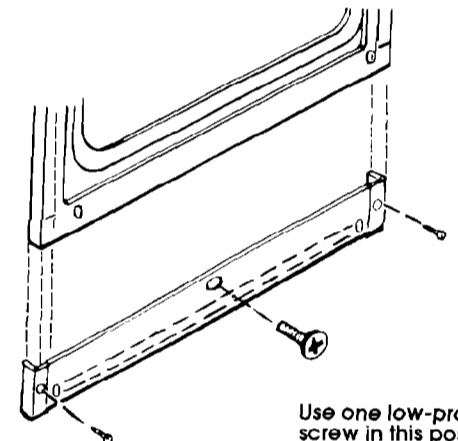
Product Damage
Carefully push against the seal area of the oven front frame when pushing the oven into the cabinet. Do Not push against outside edges.
Failure to follow these instructions can result in damage to oven finish.



7. Lift oven up into cabinet cutout using the oven opening as an area to grip.

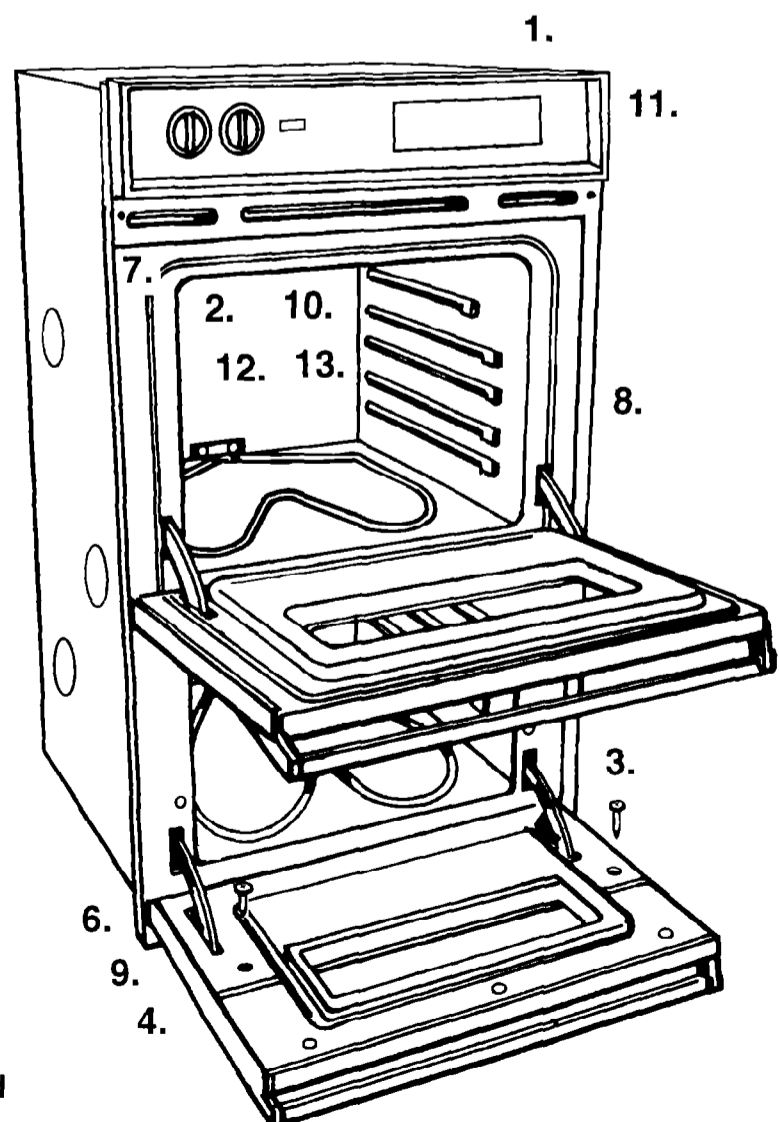
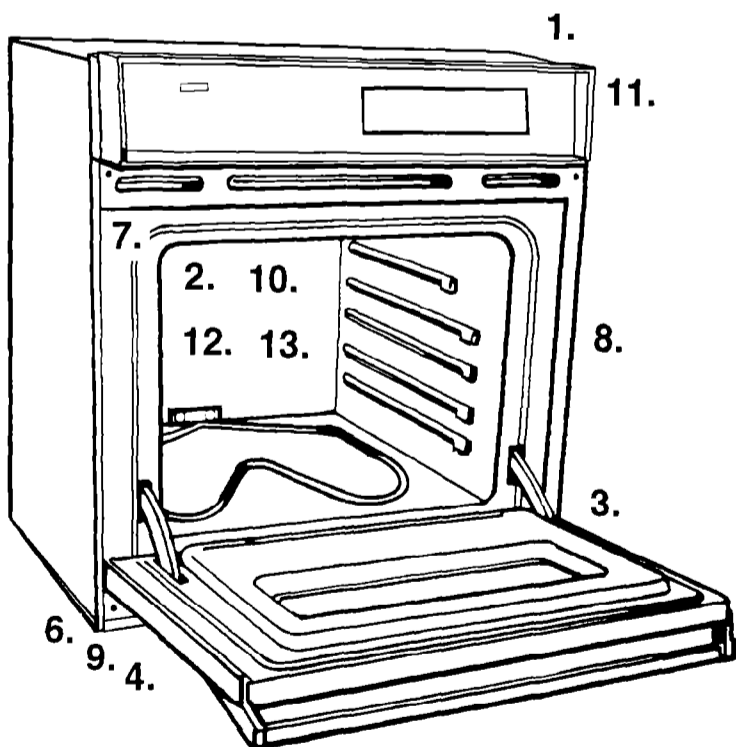


8. Center oven into cabinet cutout. Use two screws (four screws for a double oven) through the mounting holes in the front frame of the oven to secure the oven to the cabinet. Do Not overtighten screws.

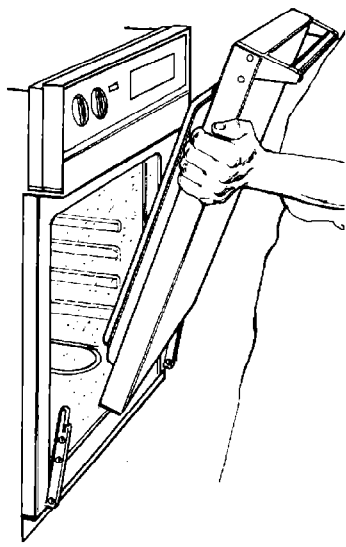


Use one low-profile screw in this position.

9. Install the lower vent grille using the three screws provided.



Numbers correspond to steps.

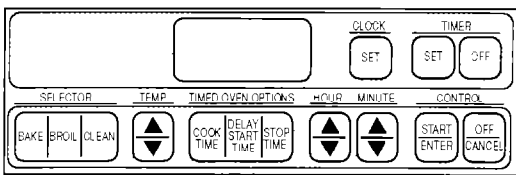


10. Replace the oven racks.

Replace the single oven or upper double oven door by partially fitting the door hinges into the hinge slots. Pull door slightly toward you; then slide door completely in place. Reinstall the two oven-door screws (if required for your oven door). If door does not close, you have not pushed hinges completely into frame. Repeat for lower oven door.

11.

Turn on the power supply. "PF" should appear in the temperature display and "88:88" should appear in the clock display. Press the "CLOCK/SET" button. "TIME, HR AND MIN" will light in the display. "0:00" will appear and ":" will be flashing. Press the "HOUR" and "MINUTE" arrows to set the clock to the correct time of day. Press the "START/ENTER" button to start the clock.

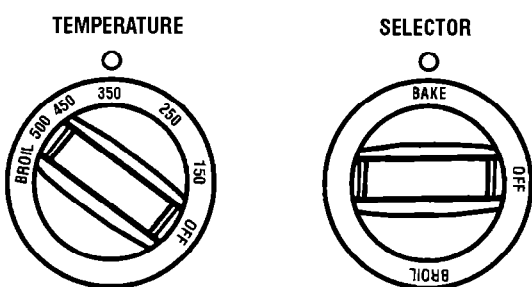


12. Check the operation of the single oven or upper oven.

Press the "BAKE" button. "350°" will appear in the display. Press the "START/ENTER" button to start the bake operation. In 1-2 minutes, the bottom element should glow red. The upper element should become hot, but not glow red. The single or upper oven indicator light should be on and the oven should be heating.

The oven indicator light goes off when the oven is preheated.

Press the "OFF/CANCEL" button.

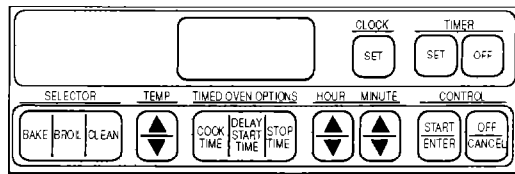


Check the operation of the lower oven.

Set the oven selector control knob to "BAKE." Set the oven temperature control knob to "350°F." In 1-2 minutes, the bottom element should glow red. The upper element should become hot, but not glow red. The lower oven indicator light should be on and the oven should be heating.

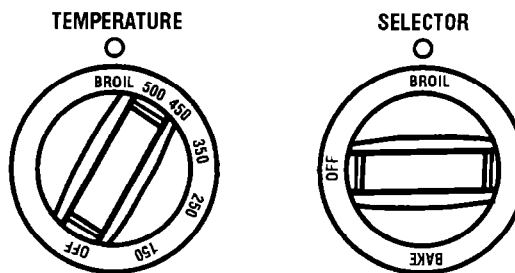
The oven indicator light goes off when the oven is preheated.

Turn the oven selector and temperature control knobs to "OFF."



13. Check the operation of the single or upper oven broil element.

Press the "BROIL" button. "500°" will appear in the display. Press the "START/ENTER" button to start the broil operation. In 1-2 minutes, the upper element should glow red. The single or upper oven indicator light should be on and the oven should be heating. Press the "OFF/CANCEL" button.



Check the operation of the lower oven broil element.

Set the oven selector and oven temperature control knobs to "BROIL." In 1-2 minutes, the upper element should glow red. The lower oven indicator light should be on and the oven should be heating. Turn the oven selector and temperature control knobs to "OFF."

You have just finished installing your new Whirlpool oven. To get the most efficient use from your new oven, read your Whirlpool Use & Care Guide.

Congratulations!

Keep Installation Instructions and Guide close to oven for easy reference. The instructions will make reinstalling your Whirlpool oven in another home as easy as the first installation.

If the oven does not operate...

- Check that the circuit breaker is not tripped or the house fuse blown.
- See Use and Care Guide for troubleshooting checklist.

NOTE:

Refer to Use and Care Guide for operating instructions and cleaning instructions.

If you need assistance...

The Whirlpool Consumer Assistance Center will answer any questions about operating or maintaining your oven not covered in the Installation Instructions. The Whirlpool Consumer Assistance Center is open 24 hours a day, 7 days a week. Just dial 1-800-253-1301 — the call is free.

When you call, you will need the oven model number and serial number. Both numbers can be found on the serial/rating plate located behind the oven door (double oven models — upper oven) on the front frame.

If you need service...

In the event that your Whirlpool appliance should need service, call the dealer from whom you purchased the appliance or a Whirlpool-authorized service company. A Whirlpool-authorized service company is listed in the Yellow Pages of your telephone directory under "Appliances — Household — Major — Service or Repair". You can also obtain the service company's name and telephone number by dialing, free, within the continental United States, the Whirlpool Consumer Assistance Center telephone number, 1-800-253-1301. A special operator will tell you the name and number of your nearest Whirlpool-authorized service company.

Maintain the quality built into your Whirlpool appliance — call a Whirlpool-authorized service company.



Printed on recycled paper.
10% post consumer waste/
50% recovered materials.

Free Manuals Download Website

<http://myh66.com>

<http://usermanuals.us>

<http://www.somanuals.com>

<http://www.4manuals.cc>

<http://www.manual-lib.com>

<http://www.404manual.com>

<http://www.luxmanual.com>

<http://aubethermostatmanual.com>

Golf course search by state

<http://golfingnear.com>

Email search by domain

<http://emailbydomain.com>

Auto manuals search

<http://auto.somanuals.com>

TV manuals search

<http://tv.somanuals.com>