

INSTALLER: LEAVE THESE INSTRUCTIONS WITH THE APPLIANCE

INSTALLATION MANUAL



Gas 30" Wide Free-standing Double Oven Range

PLEASE KEEP THIS MANUAL FOR FUTURE REFERENCE

THE MANUAL IS INTENDED TO ASSIST IN THE INITIAL INSTALLATION AND ADJUSTMENTS OF THE RANGE.

SPECIAL WARNING

Only qualified personnel should install or service this range.

Read "Safety Instructions" in the Use & Care book before using range.

Improper installation, adjustment, alteration, service, maintenance or use of range can result in serious injury or property damage.

CLEARANCE DIMENSIONS

Range may be installed with zero inches clearance adjacent to (against) combustible construction at the rear and on the sides below the cooktop. For complete information in regard to the installation of wall cabinets above the range and clearances to combustible wall above the cook top see the installation drawings. For SAFETY CONSIDERATIONS do not install a range in any combustible cabinetry which is not in accord with the installation drawings.

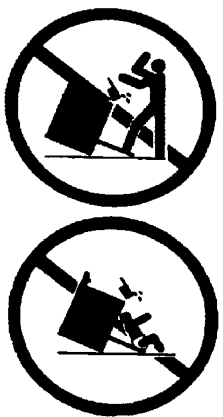
***NOTE:** 30 inch (76.2 cm) dimension between cook top and wall cabinet shown on illustration does not apply to ranges with an elevated oven or microwave. The 30 inch (76.2 cm) dimension may be reduced to not less than 24 inches (61 cm) when the wall cabinets in a domestic home are protected with fireproof materials in accordance with American National Standards - National Fuel Gas Code or in mobile homes when they are protected with fireproof materials in accordance with the Federal Standard for Mobile Home Construction and Safety.

To eliminate the risk of burns or fire by reaching over heated surface units, cabinet storage space located above the surface units should be avoided. If cabinet storage is to be provided, the risk can be reduced by installing a range hood that projects horizontally a minimum of 5 inches (13 cm) beyond the bottom of the cabinets.

CAUTION: This range has been designed in accordance with the requirements of various safety agencies and complies with the maximum allowable wood cabinet temperatures of 194°F. If this range is installed with cabinets that have a lower working temperature than 194°F, discoloration, delamination or melting may occur.

WARNING

- ALL RANGES CAN TIP AND CAUSE INJURIES TO PERSONS.
- INSTALL ANTI-TIP DEVICES PACKED WITH RANGE.
- FOLLOW ALL INSTALLATION INSTRUCTIONS.



ENGLISH ▶ PP. 1-11
ESPAÑOL ▶ pág. 12-22
FRANCAIS ▶ p. 23-33

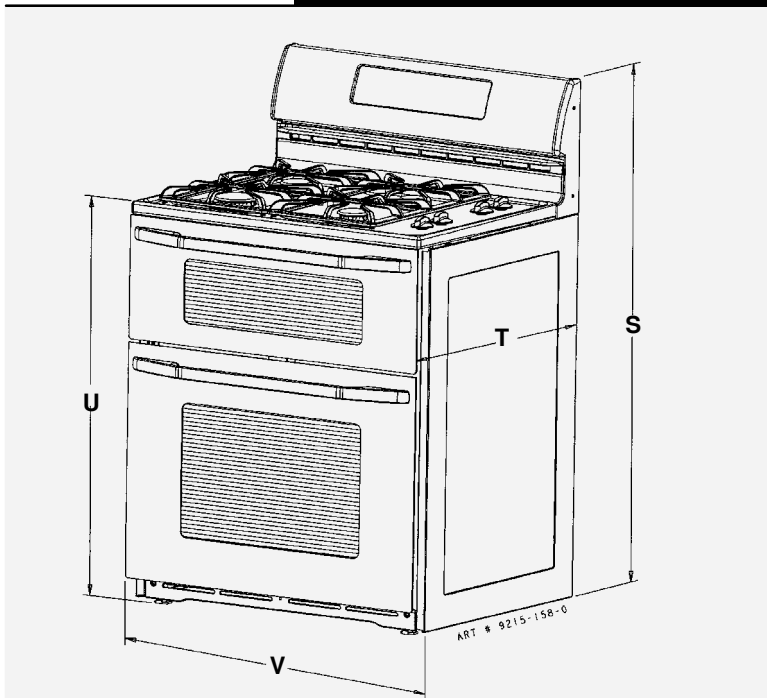
Your range may not be equipped with some of the features referred to in this manual.

8101P407-60
(05-02-00)

30"

FREE-STANDING RANGES

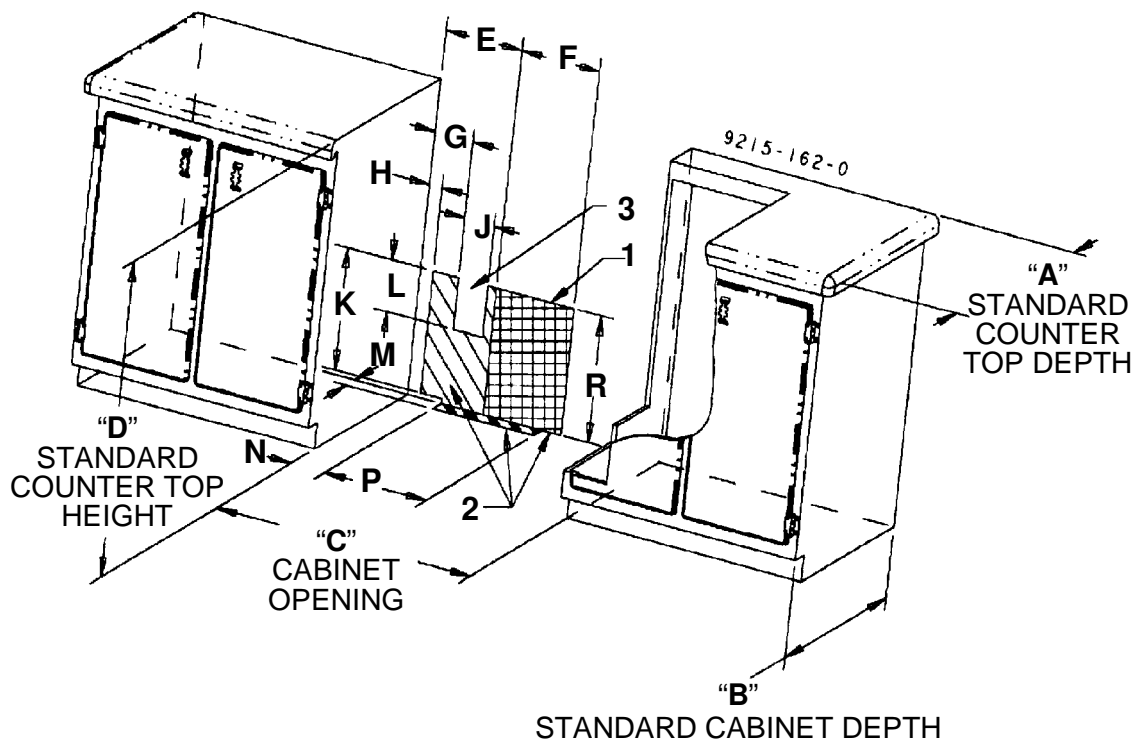
Gemini Double Oven Range

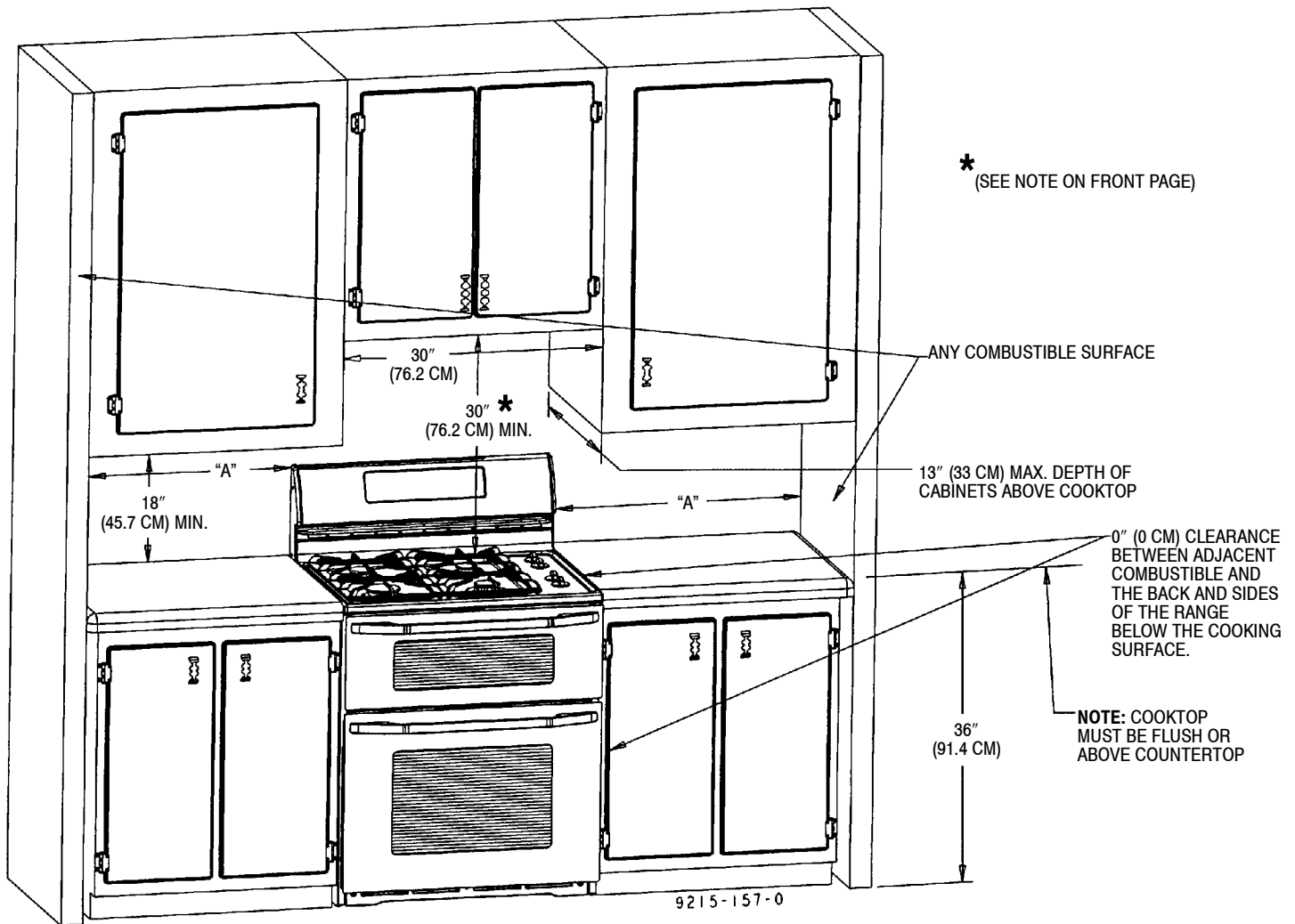


Dimensions		
■	Inches	Centimeters
A	25	63.5
B	24	61
C	30	76.2
D	36	91.4
E	9	22.9
F	9 1/4	23.5
G	4 1/2	11.4
H	1 1/2	3.8
J	3 1/2	8.9
K	13	33
L	6	15.2
M	2	5.1
N	4	10.2
P	12	30.5
R	14 1/2	36.8
S	46 3/4	118.7
T ⁴	26 5/16	66.8
U ⁵	35 7/8	91.1
V	29 7/8	75.9

Notes:

1. Provide for a 120 volt grounded electrical outlet in this area. Outlet **MUST** be flush.
2. Recommended gas line location.
3. Clearance for pressure regulator.
4. Excluding handle, dimension given is from wall to front of oven door.
5. May vary slightly depending upon leveling leg adjustment.





* (SEE NOTE ON FRONT PAGE)

ANY COMBUSTIBLE SURFACE

13" (33 CM) MAX. DEPTH OF CABINETS ABOVE COOKTOP

0" (0 CM) CLEARANCE BETWEEN ADJACENT COMBUSTIBLE AND THE BACK AND SIDES OF THE RANGE BELOW THE COOKING SURFACE.

NOTE: COOKTOP MUST BE FLUSH OR ABOVE COUNTERTOP

9215-157-0

DIMENSION "A" SIDE CLEARANCE ABOVE COOKING SURFACE = 3 INCHES (7.6 CM) (MINIMUM)

Check the range serial plate to see if the range is approved for installation in mobile homes and/or recreational park trailers. Serial plate is located on flip-up plate at rear of upper left hand corner of backguard.

If approved, the following items are applicable:

Mobile Homes

The installation of a range designed for mobile home installation must conform with the Manufactured Home Construction and Safety Standard, Title 24 CFR, Part 3280 [formerly the Federal Standard for Mobile Home Construction and Safety, Title 24 HUD, (Part 280)] or, when such standard is not applicable, the Standard for Manufactured Home Installations, ANSI A225.1/NFPA 501A, or with local codes.

In Canada the range must be installed in accordance with the current CSA Standard C22.1 - Canadian Electrical Code Part 1 and Section Z240.4.1 - Installation Requirements for Gas Burning Appliances in Mobile Homes (CSA Standard CAN/CSA - Z240MH).

Recreational Park Trailers

The installation of a range designed for recreational park trailers must conform with state or other codes or, in the absence of such codes, with the Standard for Recreational Park Trailers, ANSI A119.5-latest edition.

In Canada the range must be installed in accordance with CAN/CSA - Z240.6.2 - Electrical Requirements for R.V.'s (CSA Standard CAN/CSA - Z240 RV Series) and Section Z240.4.2 - Installation Requirements for Propane Appliances and Equipment in R.V.'s (CSA Standard CAN/CSA - Z240 RV Series).

Locating The Range

Place range in a well lit area.

Do not set range over holes in the floor or other locations where it may be subject to strong drafts. Any opening in the wall behind the range and in the floor under the range should be sealed. Make sure the flow of cooling/ventilation air is not obstructed below the range.

NOTE: A range should NOT be installed over kitchen carpeting.

ANTI-TIP DEVICE INSTALLATION INSTRUCTIONS

NOTE: A risk of range tip over exists if the appliance is not installed in accordance with the provided installation instructions. The proper use of this device minimizes the risk of TIP-OVER. In using this device the consumer must still observe the safety precautions as stated in the USE and CARE MANUAL and avoid using the oven doors as a step stool.

Installation instructions are provided for wood and cement in either floor or wall. Any other type of construction may require special installation techniques as deemed necessary to provide adequate fastening of the ANTI-TIP bracket to the floor or wall. The bracket must be installed to engage the right rear leveling foot.

STEP 1 - Locating The Bracket (see figure 1)

- Determine where the right rear "EDGE" of the range will be located and mark the floor or wall.
- Place the BRACKET 15/16" (24 mm) from the marked "EDGE" toward center of opening and against the back wall as shown in figure 1, with orientation hole against wall.
- Use the bracket as a template and mark the required holes, as shown in figure 1 for the type of construction you will be using.

STEP 2 - Anti-Tip Bracket Installation

- Wood Construction:
 - Floor: Locate the center of the two holes identified in figure 1 as "HOLES FOR FLOOR". Drill a 1/8" (3 mm) pilot hole in the center of each hole (a nail or awl may be used if a drill is not available). Secure the ANTI-TIP bracket to the floor with the two screws provided. Proceed to STEP 3.
 - Wall: Locate the center of the two holes identified in figure 1 as "HOLES FOR WALL". Drill an angled 1/8" (3 mm) pilot hole in the center of each hole as shown in figure 2. (A nail or awl may be used if a drill is not available). Secure the ANTI-TIP

bracket to the wall with the two screws provided as shown in figure 2. Proceed to STEP 3.

B. Cement or Concrete Construction:

- Suitable screws for concrete construction can be obtained at a hardware store. Drill the required size hole for the screws obtained into the concrete at the center of the holes identified in figure 1 as "HOLES FOR FLOOR". Secure the ANTI-TIP bracket to the floor. Proceed to STEP 3.

STEP 3 - Range Installation

- For safety considerations as well as optimum performance, adjust the range so it is level and to desired height prior to installing in cabinet opening.

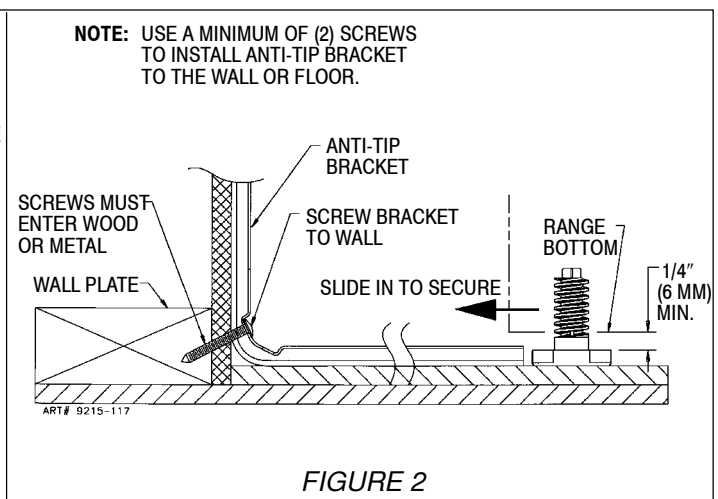
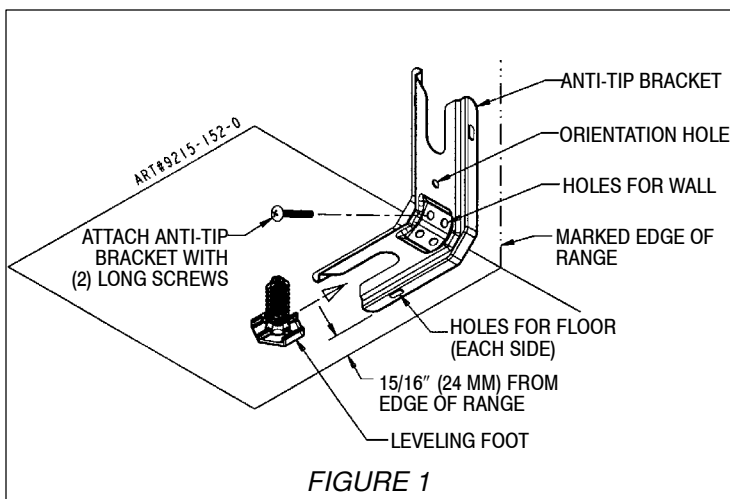
NOTE: Cooktop MUST be flush or above countertop.

Levelness may be checked by placing a spirit level or a large pan of water on the cooktop or oven rack. Adjust the range by tipping it forward or back and rotate the leveling feet as required.

NOTE: A minimum clearance of 1/4" (6 mm) is required between the range and the leveling foot that will engage the anti-tip bracket, (see figure 2).

CAUTION: Damage to the range may occur if range is moved or lifted by grasping the main top, backguard or door handles.

- Align the range to its designated location and prepare to slide it back into position. Connect gas line and plug in power cord to outlet following guidelines outlined in connecting the range and remainder of installation instructions.
- Slide range in place visually inspecting to verify that power cord and gas line are freely routed and contained within recessed area of back panel.
- To check the range for proper installation of the anti-tip bracket, use a flashlight and look underneath the bottom of the range to see that the right rear leveling foot is engaged in the bracket slot.



CONNECTING THE RANGE

Electric Supply

The appliance, when installed, must be electrically grounded in accordance with local codes or, in the absence of local codes, with the National Electrical Code, ANSI/NFPA 70.

In Canada the range must be installed in accordance with the current CSA Standard C22.1 - Canadian Electrical Code Part 1.

Electrical Supply Connection

The range requires 120 volts, 60 cycle alternating current from a grounded outlet with a 15 amp circuit breaker. See serial plate for rating, located on flip-up plate at the rear of upper left hand corner of backguard.

WARNING

Electrical Grounding Instructions

This appliance is equipped with a (three-prong) grounding plug for your protection against shock hazard and should be plugged directly into a properly grounded receptacle. Do not cut or remove the grounding prong from this plug.

WARNING

DISCONNECT ELECTRICAL SUPPLY BEFORE SERVICING THE APPLIANCE.

Gas Supply

Installation of this range must conform with local codes or, in the absence of local codes, with the National Fuel Gas Code, ANSI Z223.1-latest edition.

In Canada the range must be installed in accordance with the current CGA Standard CAN/CGA-B149 - Installation Codes for Gas Burning Appliances and Equipment and/or local codes.

NOTE: If oven burners do not ignite, check oven gas shut-off valve position.

Oven Gas Shut-Off Valve (See figure 3)

1. Remove rear burner knob.
2. Remove spill guard.
3. Rotate to 9:00 position to turn on and 12:00 position to turn off.

Checking Pressure Of House Piping System

1. The appliance and its individual shutoff valve must be disconnected from the gas supply piping system during any pressure testing of that system at test pressures in excess of 1/2 lbs./sq. in. (3.5 kPa) (13.8 in. water column).
2. The appliance must be isolated from the gas supply piping system by closing its individual manual shutoff valve during any pressure testing of the gas supply piping system at test pressures equal to or less than 1/2 lbs./sq. in. (3.5 kPa) (13.8 in. water column).

Gas Supply Connection (See figure 4)

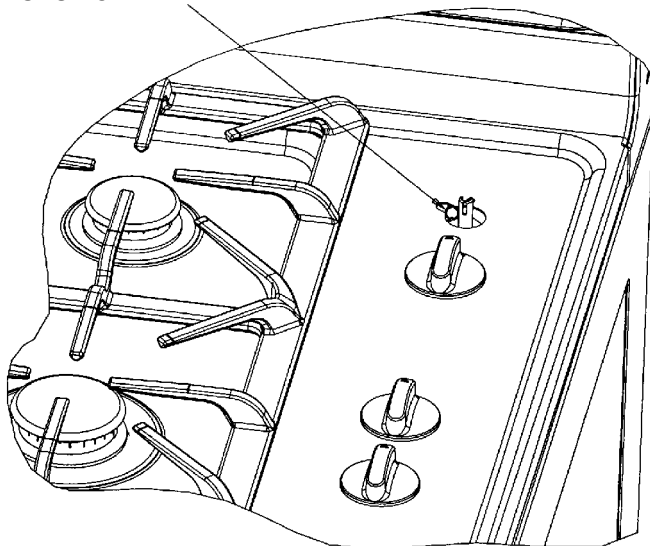
A TRAINED SERVICEMAN OR GAS APPLIANCE INSTALLER MUST MAKE THE GAS SUPPLY CONNECTION. Leak testing of the appliance shall be conducted by the installer according to the instructions given in section h.

NATURAL GAS SUPPLY LINE MUST HAVE A NATURAL GAS SERVICE REGULATOR. INLET PRESSURE TO THIS APPLIANCE SHOULD BE REDUCED TO A MAXIMUM OF 14 INCHES WATER COLUMN (0.5 POUNDS PER SQUARE INCH (P.S.I.) LIQUEFIED PETROLEUM (L.P.)/PROPANE GAS SUPPLY LINE MUST HAVE A L.P. GAS PRESSURE REGULATOR. INLET PRESSURE TO THIS APPLIANCE SHOULD BE REDUCED TO A MAXIMUM OF 14 INCHES WATER COLUMN (0.5 P.S.I.). INLET PRESSURES IN EXCESS OF 0.5 P.S.I. CAN DAMAGE THE APPLIANCE PRESSURE REGULATOR AND OTHER GAS COMPONENTS IN THIS APPLIANCE AND CAN RESULT IN A GAS LEAK.

NOTE: This range is shipped from the factory set for Natural Gas at 5" water column pressure.

Gas supply pressure for testing regulator must be at least 1" water column pressure above manifold pressure shown on serial plate.

MANIFOLD
SHUT-OFF VALVE



OVEN GAS SHUT-OFF VALVE
FIGURE 3

If conversion to LP Gas is required, convert regulator before installation. Oven/broil and top burner conversion can be made from front of range.

a. A GAS SHUT-OFF VALVE SHOULD BE PUT IN AN ACCESSIBLE LOCATION IN THE SUPPLY LINE AHEAD OF THE RANGE, FOR TURNING ON AND TURNING OFF GAS SUPPLY. Range is to be connected to house piping with flexible metal connectors for gas appliances. CONNECTOR NUTS MUST NOT BE CONNECTED DIRECTLY TO PIPE THREADS. THE CONNECTORS MUST BE INSTALLED WITH ADAPTORS PROVIDED WITH THE CONNECTOR.

b. The house piping and/or range connector used to connect the range to the main gas supply must be clean, free of metal shavings, rust, dirt and liquids (oil or water). Dirt, etc. in the supply lines can work its way into the range manifold and in turn cause failure of the gas valves or controls and clog burners and/or pilot orifices.

CAUTION: DO NOT LIFT OR MOVE RANGE BY GRASPING MAIN TOP, DOOR HANDLES, OR BACKGUARD.

c. Turn off all pilots and main gas valve of other gas appliances.

d. Turn off main gas valve at meter.

e. Before connecting range, apply pipe thread compound approved for LPG to all threads.

f. Use only a flexible connector to connect range to gas supply at appliance pressure regulator using adaptors supplied with connector. Regulator supplied with range has 1/2" NPT female connection.

NOTE: It is recommended to use a CSA certified flexible connector no longer than 36" (91.4 cm) with a minimum BTU/HR rating of 88,200.

See serial plate for type of gas range has been manufactured for, located on flip-up plate at rear of upper left hand corner of backguard.

g. Turn on main gas valve at meter, and relight pilots at other gas appliances.

h. Apply a non-corrosive leak detection fluid to all joints and fittings in the gas connection between the supply line shut-off valve and the range. Include gas fittings and joints in the range if connections were disturbed during installation. Check for leaks! Bubbles appearing around fittings and connections will indicate a leak. If a leak appears, turn off supply line gas shut-off valve, tighten connections, turn on the supply line gas shut off valve, and retest for leaks.

CAUTION: NEVER CHECK FOR LEAKS WITH A FLAME.

WHEN LEAK CHECK IS COMPLETE, WIPE OFF ALL RESIDUE.

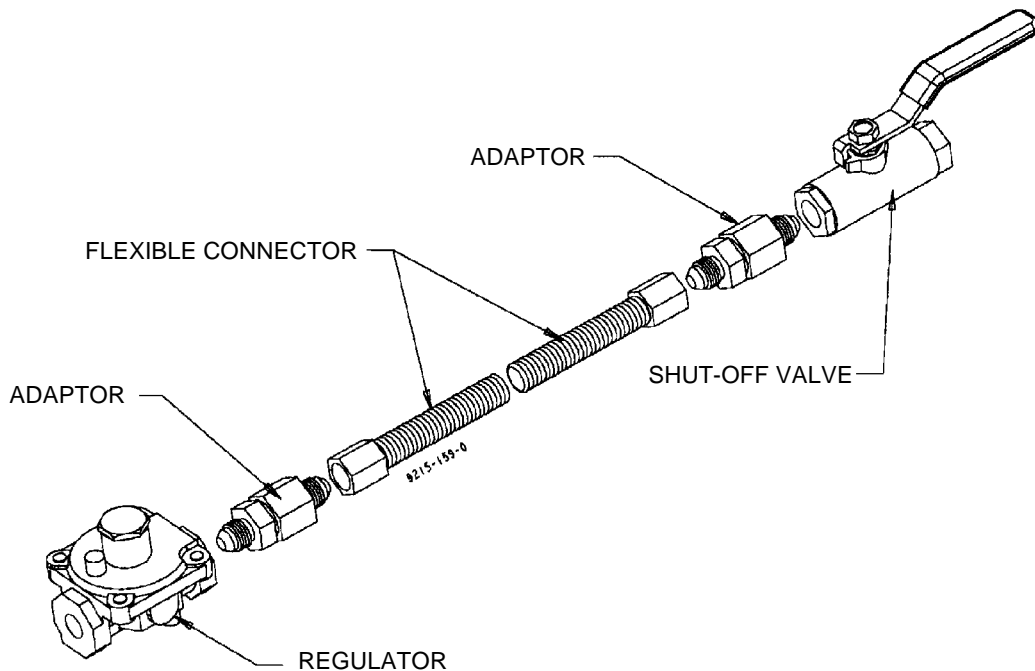


FIGURE 4

RANGE ADJUSTMENTS

Top Section - Electric Ignition

To operate, push and turn top burner knob to the LITE position. The top burner will light. To turn OFF spark after the top burner has ignited turn knob to HI setting.

NOTE: Top burners are not adjustable.

Air Shutter - Oven and Broil Burner

- The approximate length of the flame of oven burner is a 1/2 (12.7 mm) inch distinct inner blue flame, figure 5.

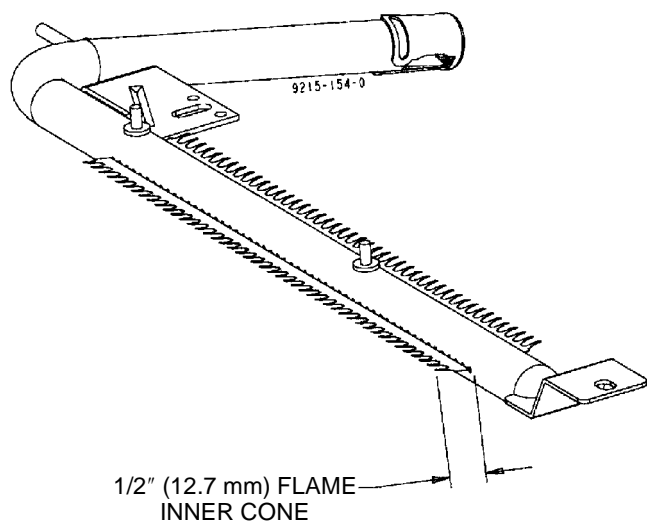


FIGURE 5

- Oven/Broil Burner flame can be checked as follows:

- Yellow flame on burner - open burner air shutter to the widest opening that will not cause the flame to lift or blow off the burner when cold. (See #2 on figure 6).

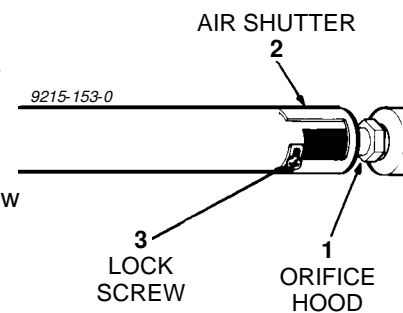


FIGURE 6

- Distinct blue flame but lifting - close burner air shutter to the point where it will not cause the flame to lift or blow off the burner when cold. (See #2 on figure 6).

GAS CONVERSION

General

This range is equipped with double coaxial (universal) orifices on bake and broil burners, a convertible appliance pressure regulator and replaceable top burner orifices. The unit serial plate states which gas it was adjusted for at the factory. To convert the unit to either Natural gas or LP gas will require adjustment of the oven orifice hoods, air shutters on the oven burners, replacement of top burner orifices and adjustment of the appliance pressure regulator converter cap.

Inlet pressure to the appliance pressure regulator should be as follows for both operation and checking of appliance pressure regulator setting:

INLET PRESSURE IN INCHES OF WATER COLUMN	NATURAL GAS	LP GAS
Minimum	6	11
Maximum	14	14

Appliance Pressure Regulator Conversion

(See figure 7)

The unit appliance pressure regulator must be set to match the type gas supply used. If converting from natural gas to LP gas, the appliance pressure regulator must be converted to regulate LP gas. If converting from LP gas to

natural gas, the appliance pressure regulator must be converted to regulate natural gas.

Follow the instructions below to convert the regulator for use with LP gas. (This appliance is shipped from the factory adjusted for use with natural gas.)

1. Unscrew the hex shaped cap from the neck of the regulator. (A wrench may be required to loosen the cap.)
2. Within the cap is a plastic pin. Remove this pin from the cap by applying sideward pressure to the pin. (See illustration.)
3. Invert the pin and snap it back into place within the cap by applying even finger pressure at opposing edges of the pin's circular disc. The pin must be seated firmly and squarely in the cap.

Pin replacement may be most easily accomplished by placing the cap on a flat horizontal surface, as shown in the illustration, and applying downward finger pressure at the edges of the pin's disc.

4. Screw the cap securely back into place in the neck of the pressure regulator. (The cap need not be wrench-tightened upon replacement. Firm finger tightening will secure the cap.)

MAXITROL REGULATOR

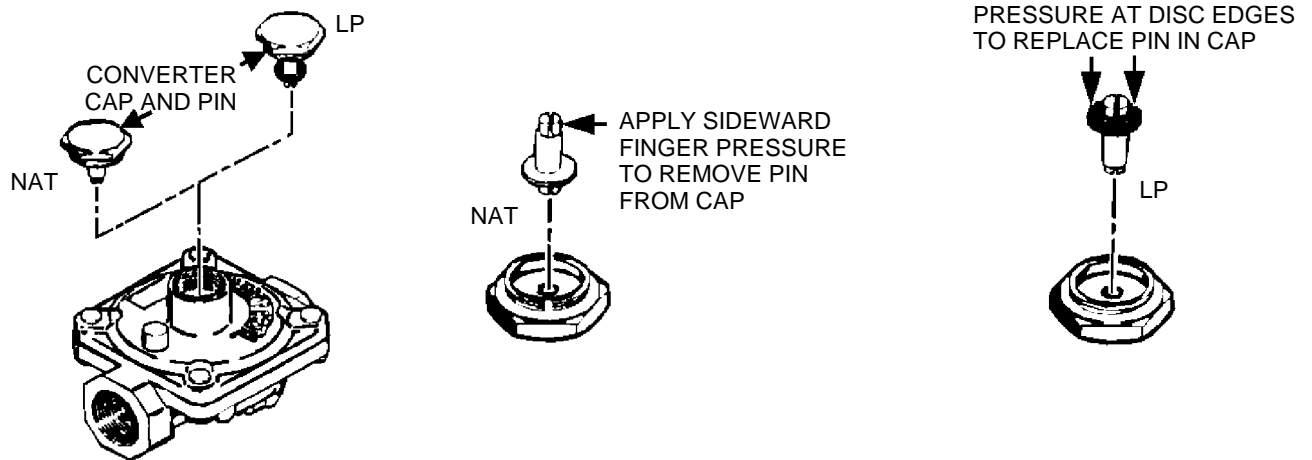


FIGURE 7

BAKE AND BROIL BURNERS TO LP/PROPANE GAS

To convert Bake Burner Orifice (upper and lower):

Remove both oven doors and follow these steps: (See figures 8A & 8B).

- Remove oven bottom by taking out two screws at front. (8A)
- Remove oven baffle by taking off wing nuts. (8B)
- Remove front and rear screws from oven burner and remove burner. (8B) Be careful not to damage ignitor.
- Remove the cover over the orifice by taking out one screw. (8B)
- Use a 1/2" (12.7 mm) socket wrench to turn the orifice hood clockwise (down) approximately 2 to 2 1/2 turns until it bottoms out on the pin.

CAUTION: Use care to not over tighten.

- Re-assemble parts.

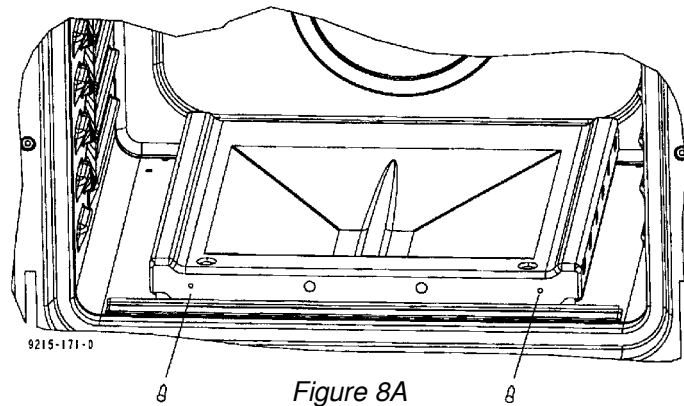


Figure 8A
Bake Burner Orifice

To convert Broil Burner Orifice: (Figure 8C)

Located in right rear corner of top oven only, use a 1/2" (12.7 mm) open end wrench to turn the orifice hood clockwise (down) approximately 2 to 2 1/2 turns until it bottoms out on the pin.

CAUTION: Use care to not over tighten.

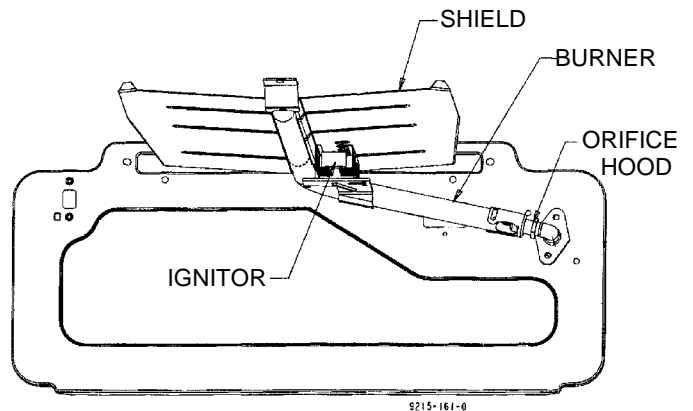


Figure 8C
Broil Burner Orifice

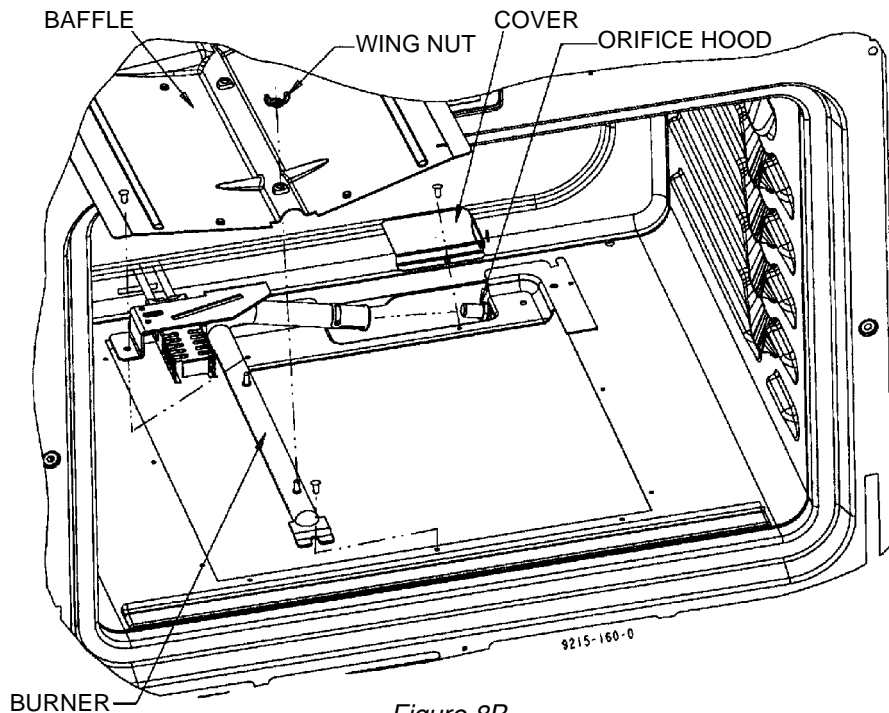


Figure 8B

SURFACE BURNERS TO LP/PROPANE GAS

CAUTION: This cooktop is not removable. Do not attempt to remove this cooktop. Save the natural gas orifices removed from the appliance for possible future conversion to natural gas.

For All Burner Locations:

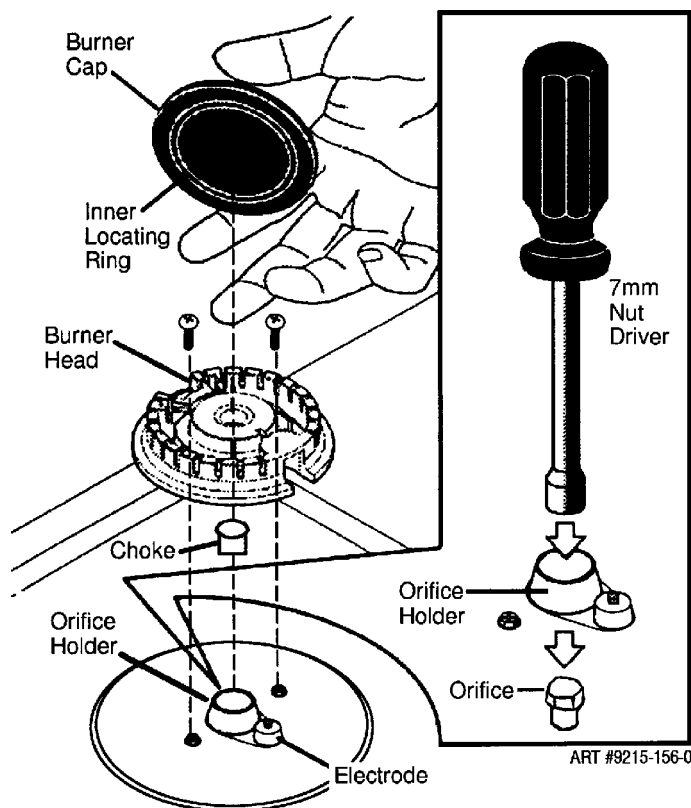
- Remove the top grates and burner caps.
- Remove the burner head by removing two screws. (See figure 9). **NOTE:** Convert one burner at a time to avoid incorrect installation.
- IMPORTANT:** Replace these two screws after removing burner head. The screws will secure orifice holder and avoid damage to electrode or tubing while changing orifice.
- Remove the four factory installed natural gas orifices from the center of the orifice holders using a 7mm nut driver (see figure 9). Remember to keep the original natural gas orifices for later conversion to natural gas.
- Replace the orifice in each of the four orifice holders with the correct LP/propane gas orifice (see figure 10).

IMPORTANT: Make sure orifice is secured in nut driver before attempting to replace orifice. Tighten each orifice until snug. Use caution not to over tighten.

- Remove screws when orifice change is complete, and remount burner heads.

IMPORTANT: Choke must be added to left front orifice holder only, as shown in figure 9.

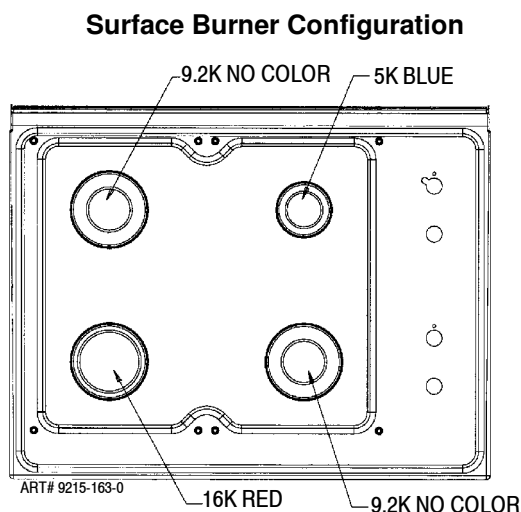
- Replace the burner caps and grates using caution when replacing each burner cap so that electrode is not damaged.



IMPORTANT: Choke must be added to left front orifice holder only.

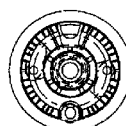
Figure 9

NATURAL GAS ORIFICE TO LP ORIFICE CONVERSION FOR EACH TYPE OF BURNER



FRONT OF TOP

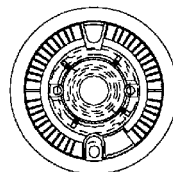
1 BLUE ORIFICE
2 NO COLOR ORIFICES
1 RED ORIFICE



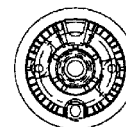
9,200 BTU NATURAL GAS
CONVERTS TO 9,100 BTU LP GAS
INSTALL ORIFICE (NO COLOR)
.90 MM FOR LP



5,000 BTU NATURAL GAS
CONVERTS TO 4,000 BTU LP GAS
INSTALL (BLUE) ORIFICE
.64 MM FOR LP



16,000 BTU NATURAL GAS
CONVERTS TO 14,000 BTU LP GAS
INSTALL (RED) ORIFICE
1.14 MM FOR LP



9,200 BTU NATURAL GAS
CONVERTS TO 9,100 BTU LP GAS
INSTALL ORIFICE (NO COLOR)
.90 MM FOR LP

ART# 9215-155-0

Figure 10

HOW TO REMOVE RANGE FOR SERVICING

Follow these procedures to remove appliance for servicing:

1. Slide range forward to disengage range from the anti-tip bracket.
2. Shut off gas supply to appliance.
3. Disconnect electrical supply to appliance, if equipped.
4. Disconnect gas supply tubing to appliance.
5. Reverse procedure to reinstall. If gas line has been disconnected, check for gas leaks after reconnection.

NOTE: A qualified servicer should disconnect and reconnect the gas supply.

The servicer **MUST** follow installation instructions provided with the gas appliance connector and the warning label attached to the connector.

6. To prevent range from accidentally tipping, range must be secured to the floor by sliding rear leveling leg into the anti-tip bracket.

SERVICE-PARTS INFORMATION

When your range requires service or replacement parts, contact your dealer or authorized service agency. Please give the complete model and serial number of the range which is located on flip-up plate at the rear of upper left hand corner of backguard.

MANUAL DE INSTALACIÓN



Estufa individual de gas de horno doble de 30" de ancho

CONSERVE ESTE MANUAL PARA REFERENCIA FUTURA

EL MANUAL TIENE LA FINALIDAD DE AYUDARLE EN LA INSTALACIÓN Y LOS AJUSTES DE LA ESTUFA.

ADVERTENCIA ESPECIAL

Solamente el personal calificado deberá instalar o prestar servicio a esta estufa.

Lea las "Instrucciones de seguridad" en el libro de Uso y cuidado antes de usar la estufa.

La instalación, el ajuste, la alteración, el servicio de mantenimiento o el uso incorrectos de la estufa pueden causar lesiones graves o daños materiales.

DIMENSIONES DEL HUECO

La estufa puede instalarse con cero pulgadas de espacio adyacente (contra) la construcción combustible en la parte trasera y lateral debajo de la superficie para cocinar. Para obtener la información completa relacionada con la instalación de los gabinetes de pared colocados encima de la estufa y los espacios a las paredes combustibles encima de la superficie para cocinar, vea los dibujos de instalación. Por RAZONES DE SEGURIDAD no instale la estufa en ningún tipo de gabinetes combustibles que no estén en conformidad con los dibujos de instalación.

***NOTA:** La dimensión de 30 pulgadas (76.2 cm) entre la superficie para cocinar y el gabinete de pared en la ilustración no corresponde a las estufas con el horno elevado o de microondas. La medida de 30 pulgadas (76.2 cm) puede reducirse a no menos de 24 pulgadas (61 cm) cuando los gabinetes de pared en una casa están protegidos con materiales a prueba de incendios en conformidad con las Normas Nacionales Estadounidenses, los Códigos Nacionales de Gas Combustible o en casas móviles, cuando estén protegidas con materiales a prueba de incendios en conformidad con las Normas Federales para la Construcción y Seguridad de Casas Móviles.

Para eliminar el riesgo de quemaduras o incendios al tratar de alcanzar artículos por encima de las unidades calientes de la superficie, debe evitarse el almacenaje de artículos en los gabinetes ubicados por encima de las unidades de la superficie. Si se proporciona un espacio de almacenaje, puede reducirse el riesgo instalando una campana de estufa que sobresalga horizontalmente cuando menos 5 pulgadas (13 cm) más allá del fondo de los gabinetes.

PRECAUCIÓN: Esta estufa ha sido diseñada de acuerdo con los requisitos de varias agencias de seguridad y cumple con las temperaturas máximas permitidas para madera de 194°F. Si la estufa se instala con gabinetes que tienen una temperatura de trabajo menor de 194°F, podría ocurrir decoloración, delaminación o derretimiento.



ADVERTENCIA

- **TODAS LAS ESTUFAS PUEDEN LADEARSE Y CAUSAR LESIONES A LAS PERSONAS.**
- **INSTALE LOS SOPORTES ESTABILIZADORES QUE SE INCLUYEN CON LA ESTUFA.**
- **SIGA TODAS LAS INSTRUCCIONES DE INSTALACIÓN.**



ENGLISH ▶ PP. 1-11

ESPAÑOL ▶ pág. 12-22

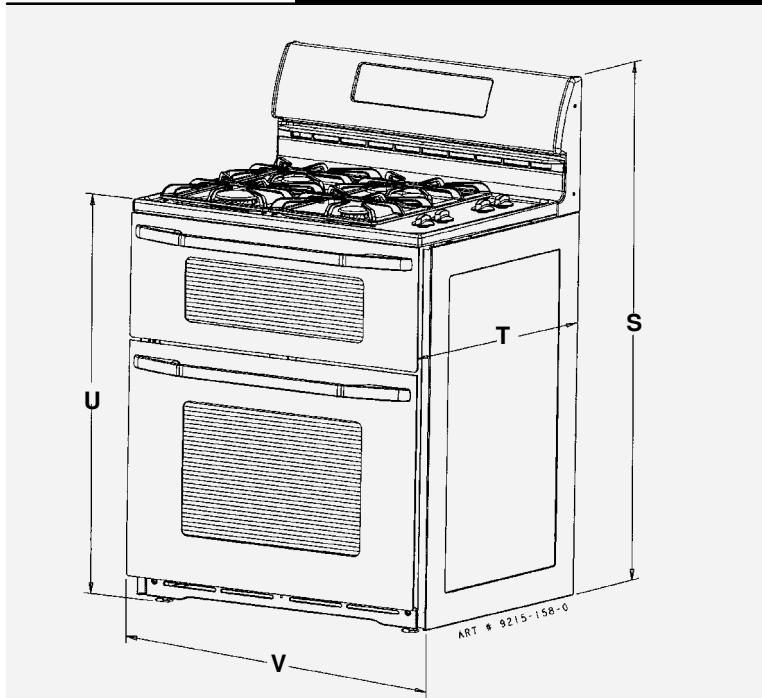
FRANCAIS ▶ p. 23-33

Es posible que su estufa no esté equipada con algunas de las características mencionadas en este manual.

DE 30"

ESTUFAS INDIVIDUALES

Estufa Gemini con horno doble

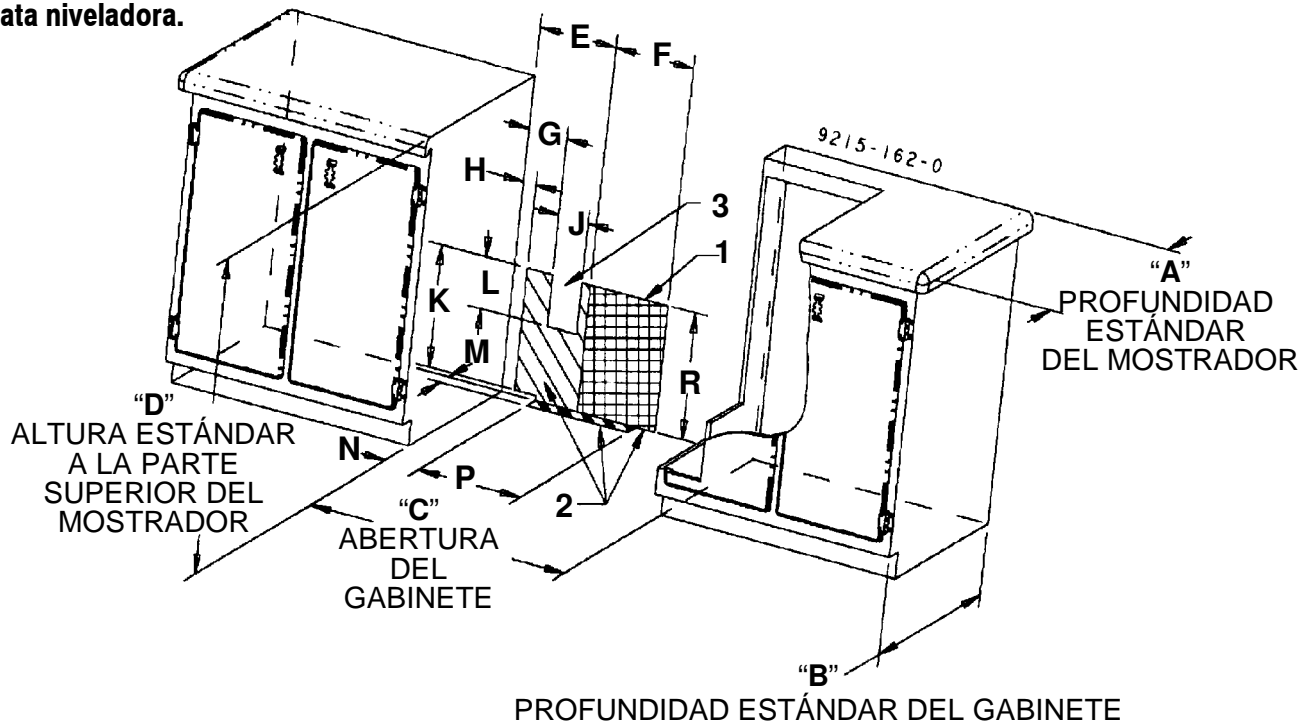


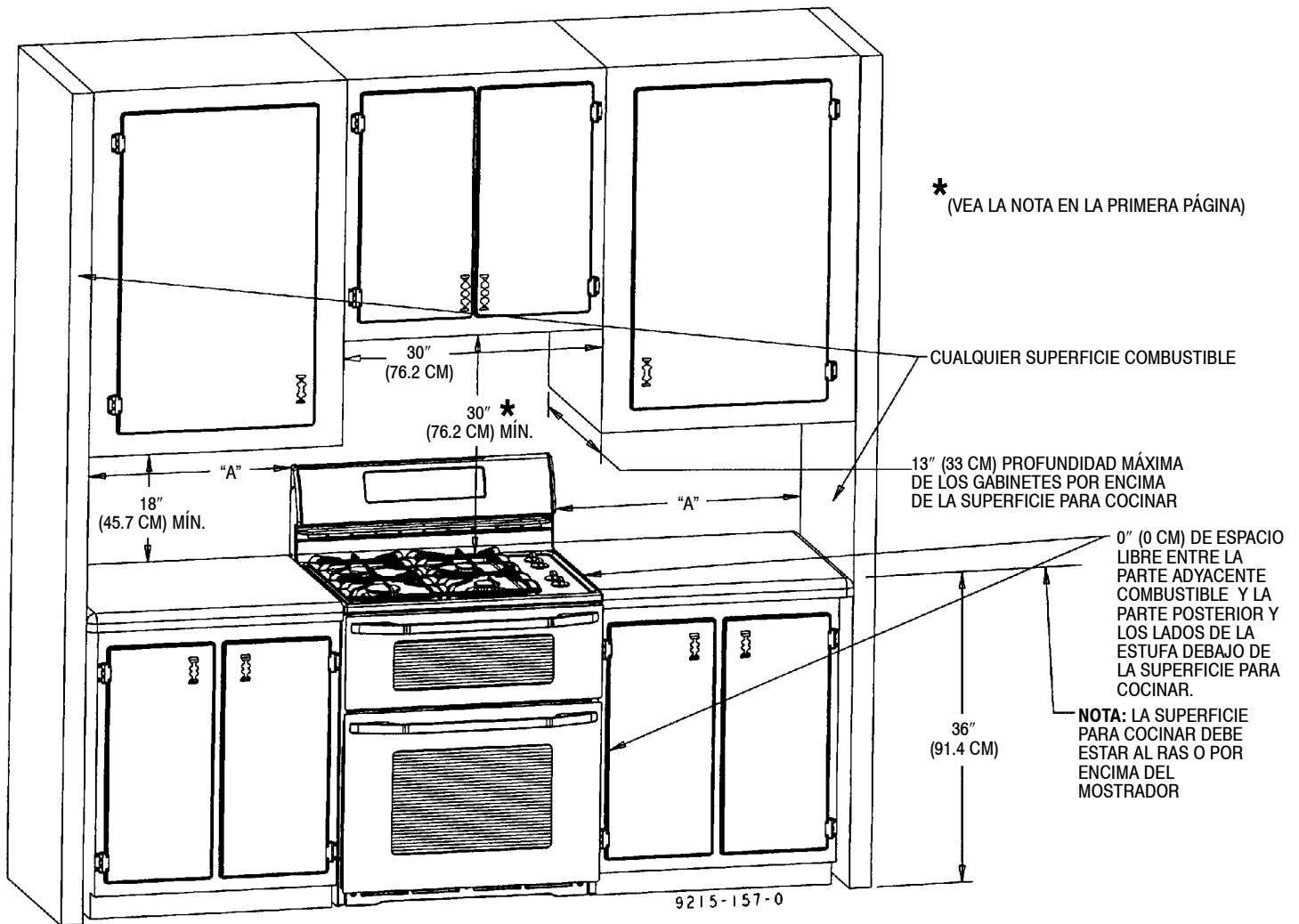
Dimensiones

■	Pulgadas	Centímetros
A	25	63.5
B	24	61
C	30	76.2
D	36	91.4
E	9	22.9
F	9 1/4	23.5
G	4 1/2	11.4
H	1 1/2	3.8
J	3 1/2	8.9
K	13	33
L	6	15.2
M	2	5.1
N	4	10.2
P	12	30.5
R	14 1/2	36.8
S	46 3/4	118.7
T ⁴	26 5/16	66.8
U ⁵	35 7/8	91.1
V	29 7/8	75.9

Notas:

1. En esta área provea un tomacorriente eléctrico de 120 voltios conectado a tierra. El tomacorriente DEBE estar al ras.
2. Ubicación recomendada para la tubería de gas.
3. Espacio libre para el regulador de presión.
4. Con excepción del asa, las dimensiones proporcionadas son de la pared a la parte delantera de la puerta del horno.
5. Podría variar levemente dependiendo del ajuste de la pata niveladora.





LA DIMENSIÓN "A" ES EL ESPACIO LIBRE LATERAL ENCIMA DE LA SUPERFICIE PARA COCINAR = 3 PULGADAS (7.6 CM) (MÍNIMO)

Revise la placa del número de serie y vea si la estufa está aprobada para instalarse en casas móviles y vehículos de recreación. Esta placa se encuentra ubicada en la placa abatible en la esquina superior izquierda de la parte posterior del protector.

Si está aprobada, se aplicarán los siguientes puntos:

Casas móviles

La instalación de una estufa diseñada para casas móviles debe estar en conformidad con las Normas de Seguridad y Construcción de Casas Prefabricadas (Manufactured Home Construction and Safety Standard), Título 24 CFR, Parte 3280 [anteriormente Federal Standard for Mobile Home Construction and Safety, Title 24 HUD, (Part 280)] o, cuando dichas normas no correspondan, con las Normas para Instalaciones en Casas Prefabricadas (Standard for Manufactured Home Installations), ANSI A225.1/NFPA 501A, o con los códigos locales.

En Canadá la estufa debe instalarse de acuerdo con las Normas CSA C22.1 actuales, Código Eléctrico Canadiense, Parte 1 y la Sección Z240.4.1 (Canadian Electrical Code), Requisitos de instalación para aparatos que queman gas (Installation Requirements for Gas Burning Appliances in Mobile Homes) en casas móviles (CSA Standard CAN/CSA - Z240MH).

Vehículos para parques de recreación

La instalación de una estufa diseñada para vehículos recreativos debe estar en conformidad con los códigos estatales u otros o, en caso de no existir, con las Normas para Vehículos Recreativos (Standard for Recreational Park Trailers), ANSI A119.5-última edición.

En Canadá la estufa debe instalarse en conformidad con los Requisitos Eléctricos para Vehículos Recreativos (Electrical Requirements for R.V.'s) (CSA Standard CAN/CSA - Z240 RV Series) CAN/CSA -Z240.6.2 —y la Sección Z240.4.2 — Requisitos de Instalación para aparatos y equipo de gas propano en vehículos recreativos (Installation Requirements for Propane Appliances and Equipment in R.V.'s) (CSA Standard CAN/CSA - Z240 RV Series).

Ubicación de la estufa

Coloque la estufa en un área bien iluminada.

No coloque la estufa sobre agujeros del piso ni en otros lugares en donde podría estar sujeta a ráfagas de viento fuertes. Deberán sellarse los orificios en la pared detrás de la estufa y en el piso debajo de la misma. Asegúrese de que no estén obstruidos el flujo de combustión ni el de ventilación.

NOTA: NO debe instalarse una estufa sobre alfombras de cocina.

INSTRUCCIONES DE INSTALACIÓN DEL DISPOSITIVO ESTABILIZADOR

NOTA: Existe la posibilidad de que la estufa se ladee si no está instalada de acuerdo con las instrucciones de instalación que se proporcionan. El uso correcto de este dispositivo reduce el riesgo de LADEO. Al usar este dispositivo el consumidor aún debe seguir las precauciones de seguridad que se dictan en el MANUAL DE USO Y CUIDADO y debe evitar utilizar las puertas del horno como banquillo.

Las instrucciones de instalación se proporcionan para las construcciones de madera y cemento tanto en piso como en pared. Cualquier otro tipo de construcción podría necesitar técnicas especiales de instalación según se determine necesario para proporcionar la sujeción adecuada del soporte ESTABILIZADOR al piso o a la pared. El soporte debe instalarse para que enganche la pata niveladora del lado derecho.

PASO 1 – Ubicación del soporte (vea la figura 1)

- Determine en dónde se ubicará el “BORDE” derecho posterior de la estufa y marque el piso o la pared.
- Coloque el SOPORTE a 15/16” (24 mm) del “BORDE” marcado hacia el centro de la abertura y contra la pared posterior según se muestra en la figura 1, con el orificio de orientación hacia la pared.
- Use el soporte como plantilla y marque los orificios necesarios, según se muestra en la figura 1, para el tipo de construcción que se utilizará.

PASO 2 - Instalación del soporte estabilizador

- Construcción de madera:
 - Piso: Ubique el centro de los dos orificios que se identifican en la figura 1 como “ORIFICIOS PARA EL PISO”. Taladre un agujero piloto de 1/8” (3 mm) en el centro de cada orificio (puede utilizarse un clavo o una lezna si no tiene una broca). Asegure el soporte ESTABILIZADOR al piso con los dos tornillos que se adjuntan. Continúe con el PASO 3.
 - Pared: Ubique el centro de los dos orificios que se identifican en la figura 1 como “ORIFICIOS PARA LA PARED”. Taladre un agujero piloto en ángulo, de 1/8” (3 mm) en el centro de cada orificio según se muestra en la figura 2. (Puede utilizarse un clavo o una lezna si no tiene una broca). Asegure el soporte ESTABILIZADOR a la pared con los dos tornillos que se adjuntan según se muestra en la figura 2. Continúe con el PASO 3.

- Construcción de cemento o concreto:

- En una ferretería pueden obtenerse los tornillos adecuados para las construcciones de concreto. Taladre un agujero del tamaño necesario para los tornillos que se tengan, en el concreto en el centro de los orificios que se identifican en la figura 1 como “ORIFICIOS PARA EL PISO”. Asegure el soporte al piso. Continúe con el PASO 3.

PASO 3 – Instalación de la estufa

- Por consideraciones de seguridad así como para obtener el mayor rendimiento, ajuste la estufa de manera que esté bien nivelada y a la altura deseada antes de instalarla en la abertura del gabinete.

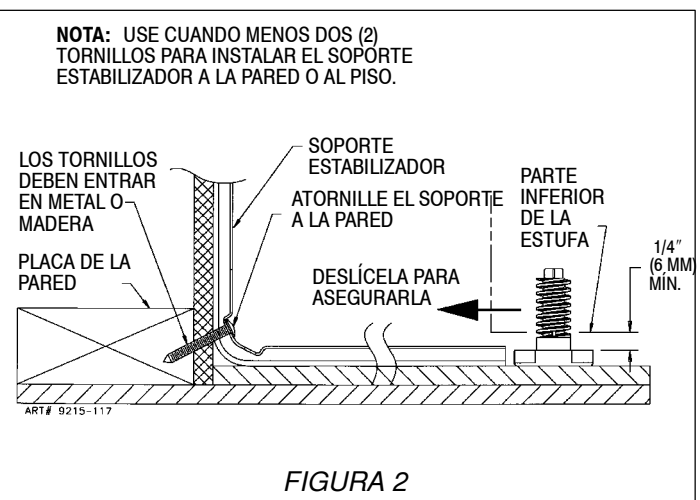
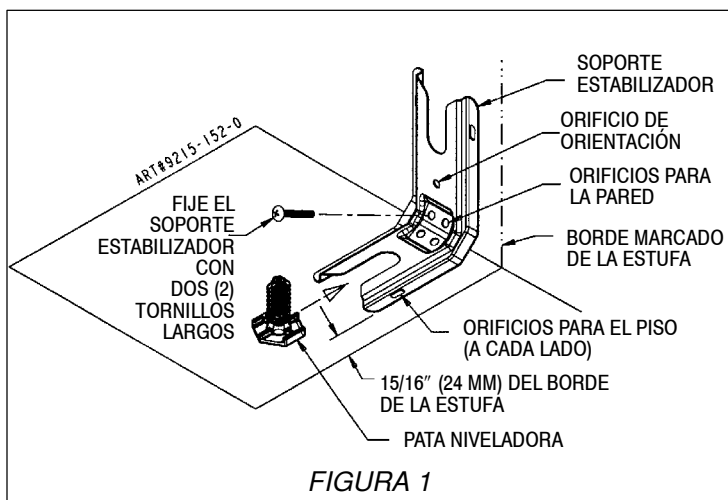
NOTA: La superficie para cocinar **DEBE** estar al ras o por encima del mostrador.

La nivelación puede verificarse colocando un nivel de burbuja o un recipiente grande con agua en la superficie para cocinar o en la parrilla del horno. Ajuste la estufa ladeándola hacia adelante o atrás y girando las patas niveladoras según sea necesario.

NOTA: Se requiere un espacio libre de cuando menos 1/4” (6 mm) entre la estufa y la pata niveladora que se enganchará al soporte estabilizador, (vea la figura 2).

PRECAUCIÓN: Pueden ocurrir daños a la estufa si ésta se mueve o levanta sujetándola por la superficie principal, por el protector o por las asas de la puerta.

- Alinee la estufa en la ubicación deseada y prepárela para deslizarla hacia atrás en su lugar. Conecte la tubería de gas y conecte el cordón eléctrico en el tomacorriente siguiendo las directrices indicadas en la conexión de la estufa y el resto de las instrucciones de instalación.
- Deslice la estufa en su lugar inspeccionándola visualmente para verificar que el cordón eléctrico y la tubería de gas estén dirigidos libremente y contenidos dentro del área ahuecada del panel posterior.
- Para revisar que el soporte estabilizador de la estufa esté instalado correctamente, use una linterna y vea por debajo de la parte inferior de la estufa para comprobar que la pata de nivelación posterior derecha esté enganchada en la ranura del soporte.



CONEXIÓN DE LA ESTUFA

Suministro eléctrico

El electrodoméstico, cuando se instala, debe estar conectado a tierra de acuerdo con los códigos locales o, en la ausencia de ellos, con los Códigos Eléctricos Nacionales, ANSI/NFPA 70.

En Canadá la estufa debe instalarse de acuerdo con las Normas CSA C22.1, parte 1 actuales (Canadian Electrical Code Part 1).

Conexión del suministro eléctrico

La estufa requiere una corriente alterna de 60 ciclos, 120 voltios del tomacorriente con un cortacircuitos de 15 amperios. Vea la placa de datos para saber la clasificación, la placa está ubicada en la placa abatible, en la esquina superior izquierda de la parte posterior del protector.

⚠ ADVERTENCIA

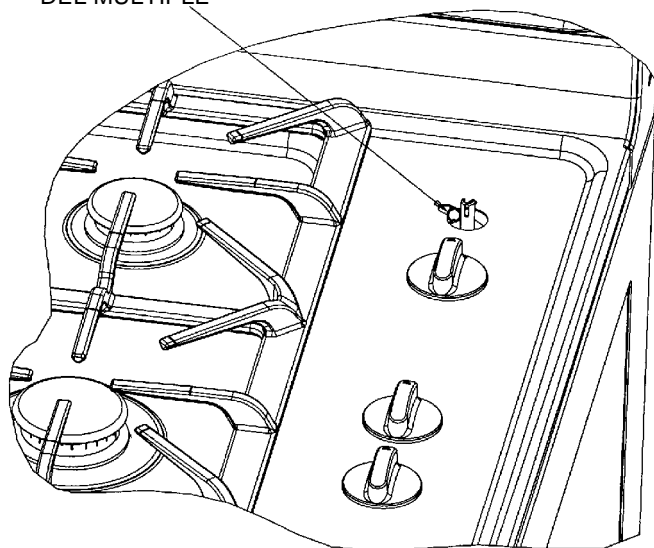
Instrucciones de la conexión eléctrica a tierra

Este electrodoméstico está equipado con una clavija de tres puntas conectada a tierra para brindarle protección contra peligros de descargas eléctricas y deberá conectarse directamente en un tomacorriente conectado a tierra. No corte ni quite la punta de tierra de esta clavija.

⚠ ADVERTENCIA

DESCONECTE EL SUMINISTRO ELÉCTRICO ANTES DE REALIZAR SERVICIO EN ESTE ELECTRODOMÉSTICO.

VÁLVULA DE CIERRE DEL MÚLTIPLE



VÁLVULA DE CIERRE DE GAS DEL HORNO
FIGURA 3

Suministro de gas

La instalación de esta estufa debe estar en conformidad con los códigos locales o en ausencia de ellos, con el Código Nacional de Gas Combustible, ANSI Z223.1, última edición.

En Canadá debe instalarse en conformidad con las Normas CGA CAN/CGA-B149 actuales y con los Códigos de Instalación para Aparatos y Equipos de Gas Combustible y/o con los códigos locales.

NOTA: Si los quemadores del horno no encienden, revise la posición de la válvula de cierre de gas del horno.

Válvula de cierre de gas del horno (Vea la figura 3)

1. Quite la perilla del quemador posterior.
2. Quite el protector contra derrames.
3. Gírela a la posición: 9:00 para encenderla y a las 12:00 para apagarla.

Revisión de la presión del sistema de tubería de la casa

1. El electrodoméstico y su válvula de cierre individual deben estar desconectadas del sistema de tubería de suministro de gas durante toda prueba de presión de ese sistema a presiones de prueba por encima de 1/2 lb./pulg cuadrada (3.5 kPa) (13.8 pulg de columna de agua).
2. El electrodoméstico debe estar aislado del sistema de tubería de suministro de gas cerrando la válvula de cierre individual manual durante toda prueba de presión del sistema de tubería de suministro de gas a presiones de prueba iguales o menores de 1/2 lb./pulg cuadradas (3.5 kPa) (13.8 pulg de columna de agua).

Conexión del suministro de gas (Vea la figura 4)

UN TÉCNICO CAPACITADO DE SERVICIO O UN INSTALADOR DE APARATOS DE GAS DEBEN REALIZAR LA CONEXIÓN DEL SUMINISTRO DE GAS. Las pruebas de fugas del aparato deberá realizarlas el instalador de acuerdo con las instrucciones de la sección h.

LA TUBERÍA DE SUMINISTRO DE GAS NATURAL DEBE TENER UN REGULADOR DE SERVICIO. LA PRESIÓN DE ENTRADA AL APARATO DEBE REDUCIRSE A NO MÁS DE UNA COLUMNA DE AGUA DE 14 PULGADAS (0.5 LIBRAS POR PULGADA CUADRADA (P.S.I.)). LA TUBERÍA DE PETRÓLEO LIQUADO (LP) O GAS PROPANO DEBE TENER UN REGULADOR DE PRESIÓN DE GAS LP. LA PRESIÓN DE ENTRADA AL APARATO DEBE REDUCIRSE A NO MÁS DE UNA COLUMNA DE AGUA DE 14 PULGADAS (0.5 P.S.I.). LAS PRESIONES DE ENTRADA MAYORES DE 0.5 P.S.I. PUEDEN DAÑAR EL REGULADOR DE PRESIÓN DEL APARATO Y OTROS COMPONENTES DE GAS DEL APARATO Y PUEDEN CAUSAR FUGAS DE GAS.

NOTA: Esta estufa se embarca de fábrica ajustada para usarse con gas natural a una presión de 5 pulg de columna de agua.

La presión del suministro de gas para el regulador de presión debe tener una presión mínima de 1 pulgada de columna de agua por encima de la presión que muestre el múltiple en la placa de datos.

Si se requiere la conversión a gas LP, convierta el regulador antes de la instalación. La conversión del quemador superior, del horno y del asador pueden hacerse por el frente de la estufa.

- a. DEBE INSTALARSE UNA VÁLVULA DE CIERRE EN UN LUGAR ACCESIBLE EN LA TUBERÍA DE SUMINISTRO, ANTES DE LLEGAR A LA ESTUFA PARA CERRAR Y ABRIR EL SUMINISTRO DE GAS. La estufa necesita conectarse a la tubería de la casa con conectores flexibles o semirrígidos de metal para aparatos de gas. **LAS TUERCAS DE CONEXIÓN NO DEBEN ESTAR CONECTADAS DIRECTAMENTE EN LAS ROSCAS DE LA TUBERÍA. LOS CONECTORES DEBEN INSTALARSE CON LOS ADAPTADORES PROPORCIONADOS CON EL CONECTOR.**
 - b. La tubería de la casa y el conector de la estufa que se usen para conectar la estufa al suministro de gas principal deben estar limpios, sin desechos de metal, sin corrosión, suciedad ni líquidos (aceite o agua). La suciedad y cosas por el estilo en las tuberías de suministro pueden ir a dar al múltiple de la estufa y causar fallas en las válvulas o controles del gas y tapar los quemadores o los orificios del piloto.
- PRECAUCIÓN: NO LEVANTE NI MUEVA LA ESTUFA SOSTENIÉNDOLA DE LA PUERTA NI DEL PROTECTOR POSTERIOR.**
- c. Apague todos los pilotos y la válvula principal del gas de otros electrodomésticos de gas.
 - d. Apague la válvula principal de gas en el medidor.
 - e. Antes de conectar la estufa, aplique a todas las roscas compuesto para roscas de tubería que esté aprobada para gas propano.

- f. Use solamente un conector flexible para conectar la estufa al suministro de gas en el regulador de presión del electrodoméstico, usando los adaptadores proporcionados con el conector. El regulador que se adjunta con la estufa tiene una conexión hembra de 1/2" NPT.

NOTA: Se recomienda usar un conector flexible certificado CSA que no sea más largo de 36" (91.4 cm) con una clasificación BTU/HR mínima de 88,200.

Vea la placa de datos para saber para qué tipo de gas se ha fabricado la estufa, está ubicada en la placa abatible en la esquina superior izquierda de la parte posterior del protector.

- g. Abra la válvula de gas del medidor, y vuelva a encender los pilotos en los demás electrodomésticos de gas.
- h. Aplique un líquido de detección de fugas que no sea corrosivo a todas las uniones y adaptadores entre la válvula de cierre de la tubería de suministro y la estufa. Incluya los accesorios y las uniones de gas de la estufa si de alguna forma se alteraron las conexiones durante la instalación. Revise si hay fugas. La presencia de burbujas alrededor de los adaptadores y los conectores indicará que hay fugas. Si esto ocurre, cierre la válvula de cierre de la tubería de suministro de gas, apriete las conexiones, abra la válvula de cierre de la tubería de gas y vuelva a revisar si hay fugas.

PRECAUCIÓN: NUNCA REVISE LAS FUGAS DE GAS CON UNA LLAMA ENCENDIDA.

CUANDO TERMINE DE REVISAR LAS FUGAS, LIMPIE TODOS LOS RESIDUOS.

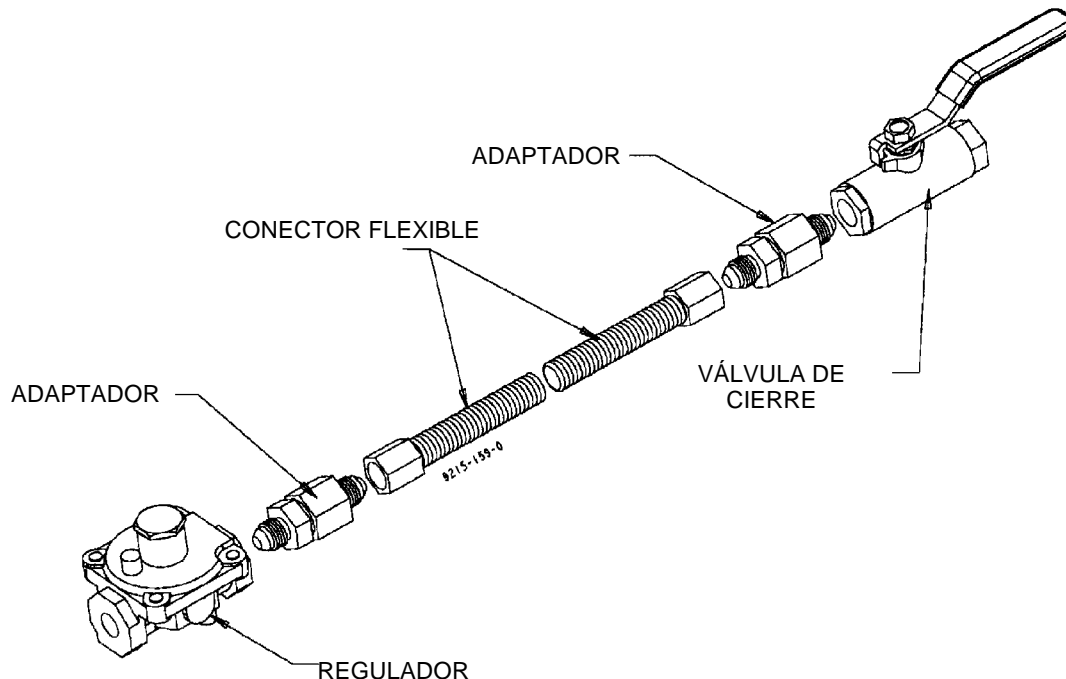


FIGURA 4

AJUSTES DE LA ESTUFA

Sección superior – Encendido eléctrico

Para operarlo, empuje y gire la perilla del quemador a la posición LITE (ENCENDER). El quemador superior se encenderá. Para APAGAR la chispa después de que el quemador se encienda, gire la perilla al ajuste HI (ALTO).

NOTA: Los quemadores superiores no son ajustables.

Obturador de aire – Quemador del horno y del asador

a. El largo aproximado de la llama del quemador del horno debe ser de 1/2 (12.7 mm) pulgada, con el interior azulado y bien definida, figura 5.

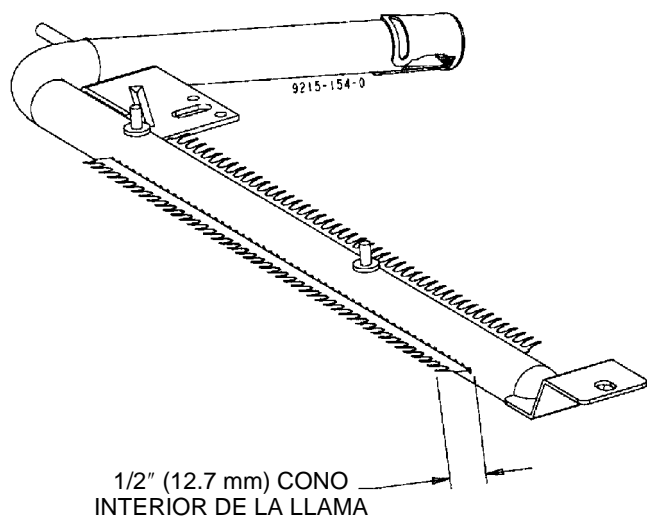


FIGURA 5

b. La llama del quemador del horno o del asador pueden revisarse del modo siguiente:

1. Llama amarilla en el quemador — abra el obturador de aire del quemador a la posición más abierta que no haga que se levante o apague la llama cuando el quemador esté frío. (Vea el No. 2 en la figura 6).

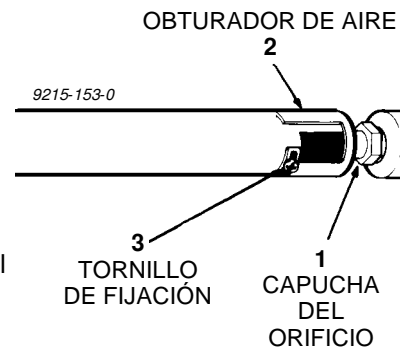


FIGURA 6

2. Llama definida azul pero levantándose — cierre el obturador de aire del quemador hasta el punto en donde no se levante la llama cuando el quemador esté frío. (Vea el No. 2 en la figura 6).

CONVERSIÓN DEL GAS

General

Esta estufa está equipada con orificios dobles coaxiales (universales) en los quemadores de hornear y asar, un regulador de presión convertible del electrodoméstico y orificios reemplazables de los quemadores superiores. La placa de datos de la unidad establece para qué tipo de gas se ajustó la estufa en la fábrica. Para convertir la unidad a gas natural o a gas propano, se requerirá un ajuste de las capuchas de orificio, los obturadores de aire de los quemadores del horno, el reemplazo de los orificios de los quemadores superiores y el ajuste del regulador de presión de la tapa del convertidor del electrodoméstico.

La presión de entrada al regulador de presión del electrodoméstico debe ser según se indica a continuación para funcione y se pueda revisar el ajuste del regulador de presión del electrodoméstico:

PRESIÓN DE ENTRADA EN PULGADAS DE COLUMA DE AGUA

	<u>GAS NATURAL</u>	<u>GAS LP</u>
Mínima	6	11
Máxima	14	14

Conversión del regulador de presión del electrodoméstico (Vea la figura 7)

El regulador de presión del electrodoméstico debe estar ajustado de manera que coincida con el tipo de gas que se use. Si se va a convertir de gas natural a gas LP, el regulador de presión del electrodoméstico debe convertirse para regular gas LP. Si la conversión es de gas LP a gas

natural, el regulador de presión del electrodoméstico debe convertirse para regular gas natural.

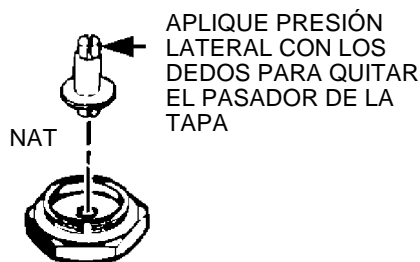
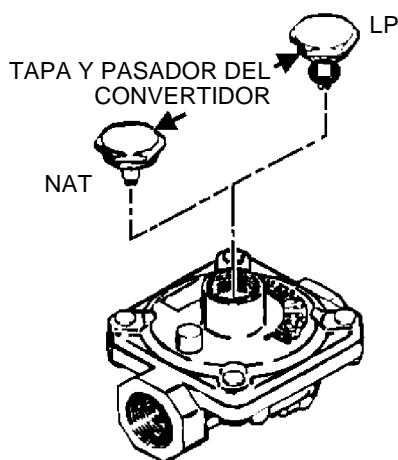
Siga las instrucciones que aparecen a continuación para convertir el regulador a gas LP. (Este electrodoméstico se embarca de fábrica para usarse con gas natural.)

1. Destornille la tapa con forma hexagonal del cuello del regulador. (Puede ser necesario usar una llave inglesa para aflojar la tapa.)
2. Dentro de la tapa hay un pasador de plástico. Quite este pasador de la tapa aplicando presión lateral al pasador. (Vea la ilustración.)
3. Invierta el pasador y colóquelo a presión otra vez en su lugar dentro de la tapa aplicando una presión uniforme con el dedo en los bordes opuestos del disco circular del pasador. El pasador debe quedar bien asentado y firme en la tapa.

El reemplazo del pasador puede realizarse con más facilidad si se coloca la tapa en una superficie horizontal plana, según se muestra en la ilustración, y aplicando presión con los dedos hacia abajo en los bordes opuestos del disco del pasador.

4. Atornille la tapa con firmeza otra vez en su lugar en el cuello del regulador de presión. (No se necesita apretar con una llave inglesa la tapa cuando se coloque de nuevo. El apretar la tapa manualmente con firmeza será suficiente para asegurarla.)

REGULADOR MAXITROL



APLIQUE PRESIÓN HACIA ABAJO
CON EL DEDO PARA QUITAR EL
PASADOR DE LA TAPA



FIGURA 7

QUEMADORES DE HORNEADO Y ASADO A GAS LP/PROPANO

Para convertir el orificio del quemador de horneado (superior e inferior):

Quite las dos puertas del horno y siga estos pasos: (Vea las figuras 8A y 8B).

- Quite la parte inferior del horno sacando dos tornillos del frente. (8A)
- Quite el tabique del horno sacando las tuercas de mariposa. (8B)
- Quite los tornillos delantero y posterior del quemador del horno y quite el quemador. (8B) Tenga cuidado de no dañar el encendedor.
- Quite la cubierta del orificio sacando un tornillo. (8B)
- Use una llave de casquillos de 1/2" (12.7 mm) para girar la capucha de orificio en el sentido de las manecillas del reloj (hacia abajo) de 2 a 2 1/2 vueltas aproximadamente hasta que llegue al fondo del pasador.

PRECAUCIÓN: Tenga cuidado para no apretarlo demasiado.

- Vuelva a ensamblar las piezas.

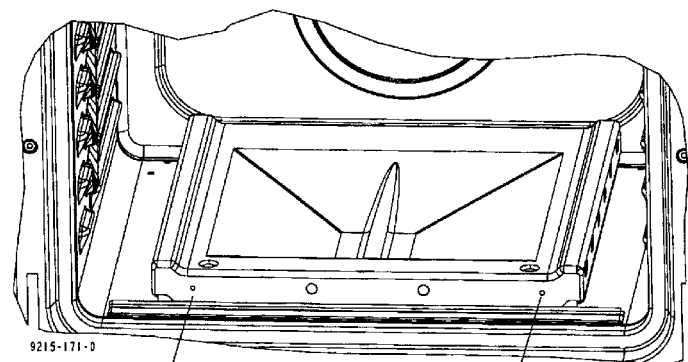


Figura 8A
Orificio del quemador de horneado

Para convertir el orificio del quemador de asado: (Figura 8C)

Se encuentra ubicado en la esquina posterior derecha solamente en el horno superior, use una llave española de 1/2" (12.7 mm) para girar la capucha de orificio en el sentido de las manecillas del reloj (hacia abajo) de 2 a 2 1/2 vueltas aproximadamente hasta que llegue al fondo del pasador.

PRECAUCIÓN: Tenga cuidado de no apretarlo demasiado.

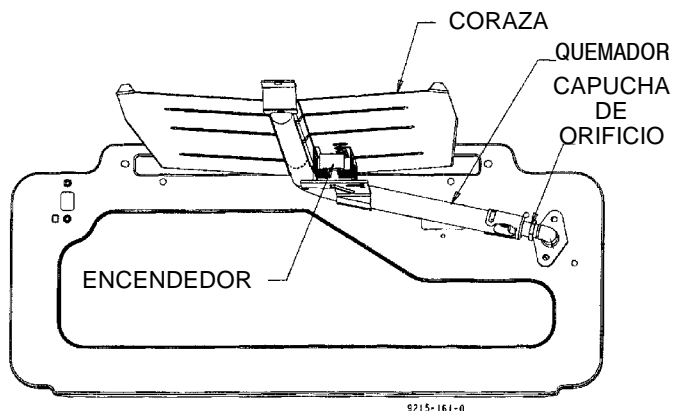


Figura 8C
Orificio del quemador de asado

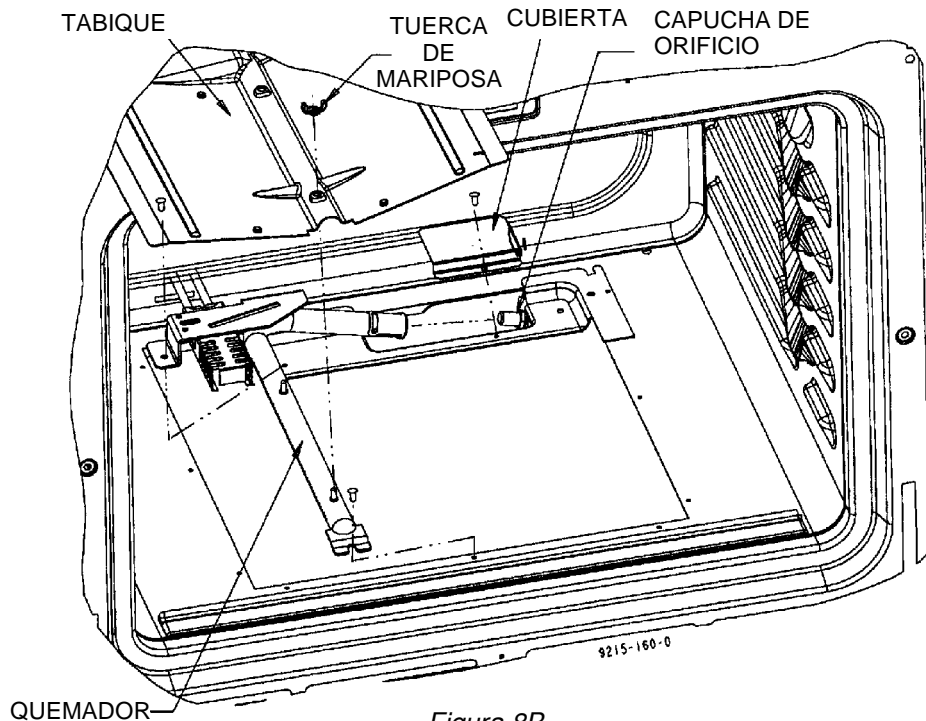


Figura 8B

QUEMADORES DE LA SUPERFICIE A GAS LP/PROPANO

PRECAUCIÓN: Esta superficie para cocinar no puede quitarse, no trate de quitarla. Conserve los orificios de gas natural que quite del electrodoméstico para usarlos en caso de convertirla de nuevo a gas natural en el futuro.

En todas las ubicaciones de los quemadores:

- Quite las parrillas superiores y las tapas de los quemadores.
- Quite la cabeza del quemador sacando dos tornillos. (Vea la figura 9). **NOTA:** Convierta un quemador a la vez para no instalarlos incorrectamente.
- IMPORTANTE:** Vuelva a colocar estos dos tornillos después de quitar la cabeza del quemador. Los tornillos asegurarán el sujetador del orificio y evitarán que se dañe el electrodo o la tubería mientras se cambia el orificio.
- Quite los cuatro orificios de gas que se instalaron de fábrica del centro de los sujetadores de los orificios usando un destornillador de tuercas de 7 mm (vea la figura 9). No se olvide de conservar los orificios originales de gas natural para usarlos en una conversión futura a gas natural.
- Vuelva a colocar el orificio de cada uno de los cuatro sujetadores de orificios con el orificio de gas LP/propano correcto (vea la figura 10).

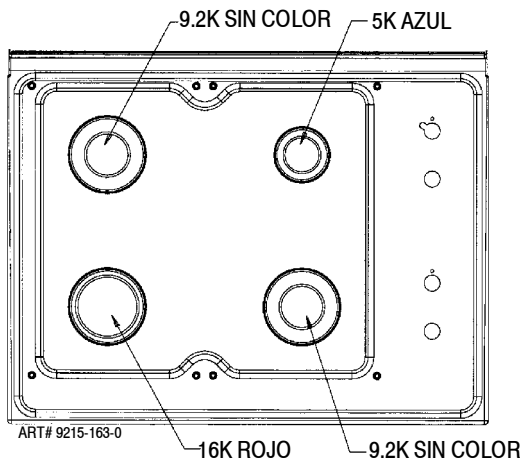
IMPORTANTE: Compruebe que el orificio esté bien asegurado en el destornillador de tuercas antes de tratar de volver a instalarlo. Apriete cada orificio hasta que quede firme. Tenga cuidado de no apretarlo demasiado.

- Quite los tornillos cuando termine de cambiar el orificio, y vuelva a montar las cabezas de los quemadores.

IMPORTANTE: El obstructor debe añadirse solamente al soporte de orificio delantero izquierdo, como se muestra en la figura 9.

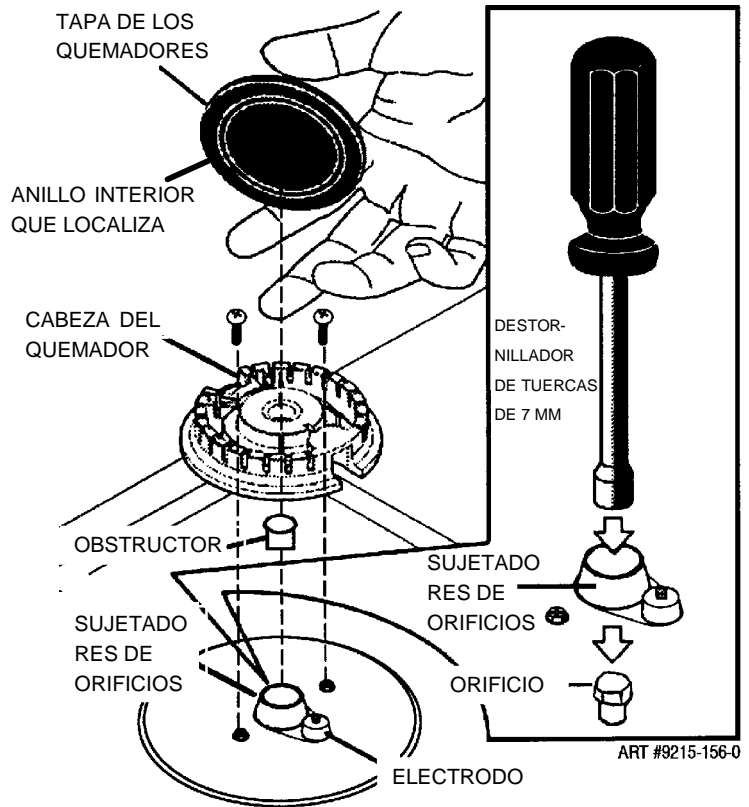
- Coloque de nuevo las tapas de los quemadores y las parrillas teniendo cuidado al colocar cada tapa de quemador para que no se dañe el electrodo.

Configuración del quemador de la superficie



FRENTE DE LA SUPERFICIE

- 1 ORIFICIO AZUL
- 2 ORIFICIOS SIN COLOR
- 1 ORIFICIO ROJO



IMPORTANTE: El obstructor debe añadirse solamente al soporte de orificio delantero izquierdo.

Figura 9

CONVERSIÓN DEL ORIFICIO DE GAS NATURAL A ORIFICIO DE GAS LP PARA CADA TIPO DE QUEMADOR

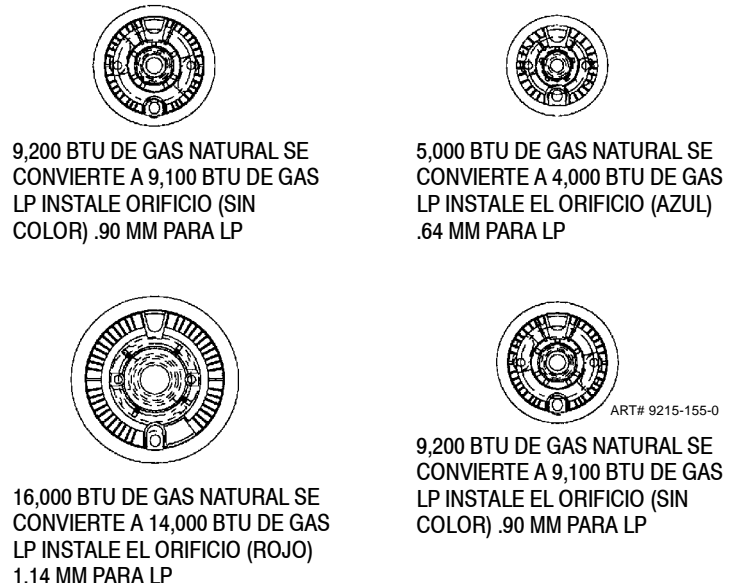


Figura 10

CÓMO QUITAR LA ESTUFA PARA DARLE SERVICIO

Siga estos procedimientos para quitar el electrodoméstico para darle servicio:

1. Deslice la estufa hacia adelante para desengancharla del soporte estabilizador.
2. Cierre el suministro de gas al electrodoméstico.
3. Desconecte el suministro eléctrico al electrodoméstico, si está equipado con uno.
4. Desconecte la tubería de suministro de gas al electrodoméstico.
5. Invierta el procedimiento para volver a instalarla. Si la línea de gas se ha desconectado, revise si hay fugas de gas después de la reconexión.

NOTA: El suministro de gas debe desconectarlo y volver a conectarlo un técnico calificado.

El técnico **DEBE** seguir las instrucciones de instalación que se proporcionan con el conector del electrodoméstico de gas y la etiqueta de advertencia adherida al conector.

6. Para evitar que la estufa se ladee accidentalmente, ésta debe estar asegurada al piso deslizando la pata de nivelación posterior dentro del soporte estabilizador.

INFORMACIÓN DE LAS PIEZAS DE SERVICIO

Cuando la estufa requiera servicio o piezas de repuesto, comuníquese con el concesionario o la agencia autorizada de servicio. Proporcione los números completos de modelo y de serie de la estufa, los cuales están ubicados en la placa abatible en la esquina superior izquierda en la parte posterior del protector.

INSTALLATEUR: VEUILLEZ LAISSER CES INSTRUCTIONS AVEC L'APPAREIL

MANUEL DE MISE EN SERVICE



Cuisinière à gaz amovible de 30 pouces à deux fours

VEUILLEZ CONSERVER CE MANUEL POUR RÉFÉRENCE ULTÉRIEURE

CE MANUEL EST DESTINÉ À FACILITER LA MISE EN SERVICE ET LE RÉGLAGE INITIAUX DE LA
CUISINIÈRE DÉGAGEMENT NÉCESSAIRE.

AVERTISSEMENT SPÉCIAL

La mise en service et le dépannage de cette cuisinière doivent être réalisés uniquement par du personnel qualifié.

Lire les "Mesures de sécurité" dans le manuel de l'utilisateur avant d'utiliser la cuisinière.

Une mauvaise réalisation de la mise en place, du réglage, de toutes modifications ou réparations ou de l'entretien de la cuisinière ou son usage incorrect peuvent entraîner des blessures ou des dégâts graves.

DÉGAGEMENT DIMENSION

La cuisinière peut avoir un dégagement nul (0 po/cm) par rapport aux parois en matériaux combustibles à l'arrière et sur les côtés au-dessous de la surface de cuisson (elle peut être contre ces parois). Se reporter aux schémas d'installation. Pour des RAISONS DE SÉCURITÉ, ne pas monter la cuisinière dans une armoire en matériau combustible qui ne soit pas conforme aux schémas d'installation.

***REMARQUE :** La dimension de 30 po (76,2 cm) entre la surface de cuisson et l'armoire murale montrée sur l'illustration ne s'applique pas aux cuisinières ayant un four traditionnel ou à micro-ondes en hauteur. La dimension de 30 po (76,2 cm) peut être réduite à 24 po (61 cm) si les armoires murales d'un logement sont protégées par des matériaux ininflammables conformément aux normes American National Standards - National Fuel Gas Code ou, dans le cas de maisons mobiles, si les armoires murales sont protégées par des matériaux ininflammables conformément aux règlements du Federal Standard for Mobile Home Construction and Safety.

Pour éliminer tout risque de brûlure ou d'incendie en essayant d'atteindre un objet placé au-dessus d'éléments brûlants, éviter d'avoir un espace de rangement au-dessus de la surface de cuisson. S'il doit y avoir une armoire au-dessus de la table de cuisson, l'installation d'une hotte dépassant d'au moins 5 po (13 cm) de sa partie inférieure réduira les risques liés à ce type d'entreposage.

ATTENTION : Cette cuisinière satisfait aux règles de divers organismes de protection et aux normes relatives à la température maximum permise de 194°F pour les armoires en bois. Si cette cuisinière est adjacente à des armoires pouvant supporter une température inférieure à 194°F, seulement, celles-ci peuvent se décolorer, se délaminer ou fondre.



AVERTISSEMENT

- TOUTES LES CUISINIÈRES PEUVENT BASCULER ET PROVOQUER DES BLESSURES.
- POSER LES DISPOSITIFS DE STABILISATION FOURNIS AVEC CETTE CUISINIÈRE.
- SUIVRE TOUTES LES CONSIGNES DE MISE EN SERVICE.

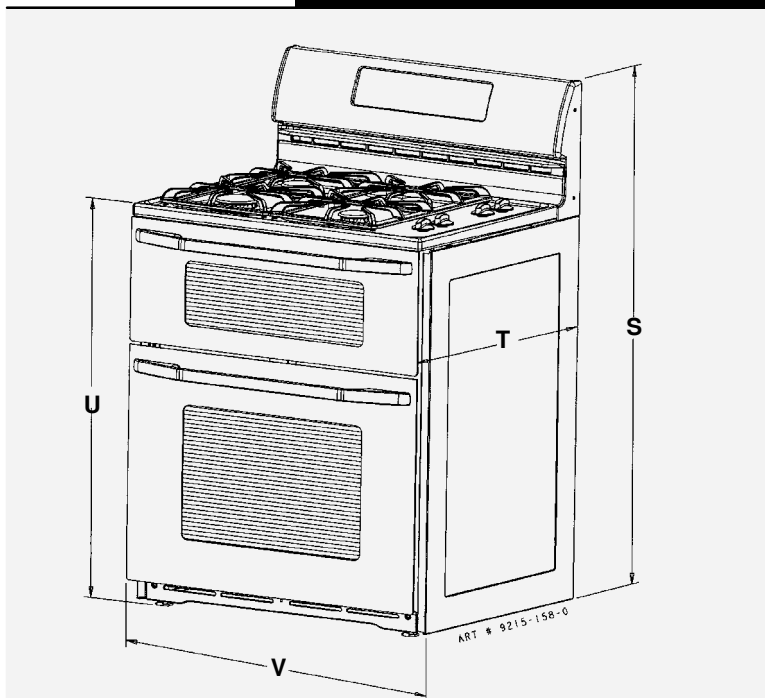
ENGLISH ▶ PP. 1-11

ESPAÑOL ▶ pág. 12-22

FRANCAIS ▶ p. 23-33

Votre cuisinière peut ne pas être dotée de toutes les fonctions mentionnées dans ce manuel.

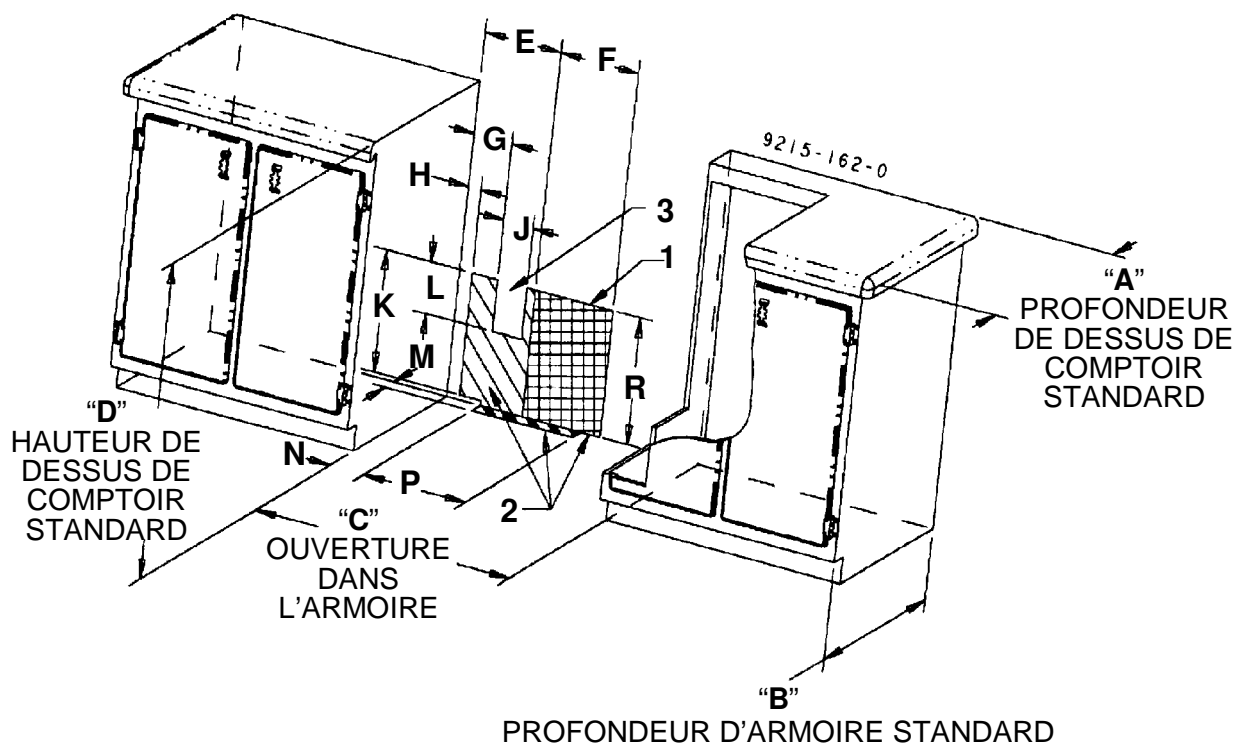
Cuisinière Gemini à deux fours

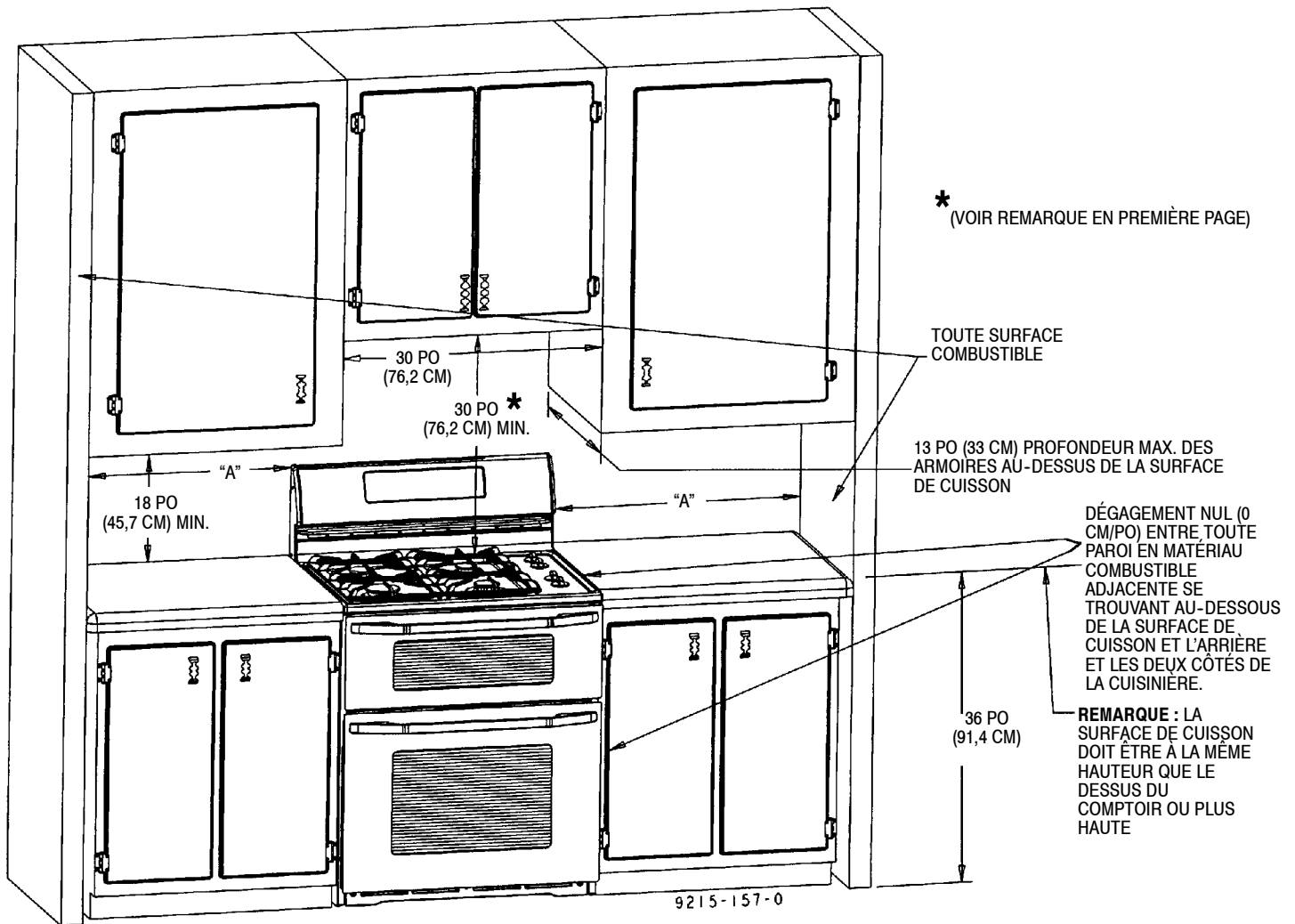


Dimensions		
■	Pouces	Centimètres
A	25	63,5
B	24	61
C	30	76,2
D	36	91,4
E	9	22,9
F	9 1/4	23,5
G	4 1/2	11,4
H	1 1/2	3,8
J	3 1/2	8,9
K	13	33
L	6	15,2
M	2	5,1
N	4	10,2
P	12	30,5
R	14 1/2	36,8
S	46 3/4	118,7
T ⁴	26 5/16	66,8
U ⁵	35 7/8	91,1
V	29 7/8	75,9

Remarques :

1. Prévoir une prise de 120 V reliée à la terre dans cette zone. La prise DOIT être encastrée.
2. Emplacement recommandé pour la conduite de gaz
3. Dégagement pour le détendeur.
4. La dimension indiquée va du mur au devant de la porte du four, poignée non comprise.
5. Peut varier légèrement en fonction du réglage du pied de mise à niveau.





DIMENSION "A" DÉGAGEMENT LATÉRAL AU-DESSUS DE LA SURFACE DE CUISSON = 3 POUCES (7,6 CM) (MINIMUM)

Vérifier sur la plaque signalétique de la cuisinière si elle est homologuée pour la mise en service dans une maison mobile et/ou une roulotte de plaisance. La plaque signalétique se trouve sur la plaque relevable à l'arrière du coin supérieur gauche du dossier.

Si la cuisinière est homologuée pour cet usage, les points suivants s'appliquent.

Maisons mobiles

La mise en service d'une cuisinière prévue pour les maisons mobiles doit être conforme aux normes "Manufactured Home Construction and Safety Standard", titre 24 CFR, partie 3280 (précédemment "Federal Standard for Mobile Home Construction and Safety", titre 24 HUD [partie 280]) ou, lorsque ces normes ne sont pas applicables, les normes "Standard for Manufactured Home Installations 1982", ANSI A225.1/NFPA 501A, ou les codes de la construction locaux.

Au Canada, la mise en service de la cuisinière doit se faire conformément aux normes ACN C22.1 du code d'électricité canadien les plus récentes, partie 1 et section Z240-4.1 relative aux caractéristiques techniques exigées pour les appareils à gaz utilisés dans les maisons mobiles (norme CAN/ACN - Z240MH).

Roulottes de parc

La mise en service d'une cuisinière prévue pour les roulottes de parc doit être conforme aux codes provinciaux et autres ou, en l'absence de tels codes, avec la norme ANSI A119.2 relative aux roulottes de parc, dernière édition.

Au Canada, la mise en service de la cuisinière doit être réalisée conformément à la norme CAN/ACN - série Z240 RV relative aux caractéristiques exigées pour l'installation électrique dans les véhicules de plaisance et à la section Z240.4.2 relative aux caractéristiques techniques exigées pour les appareils et le matériel fonctionnant au propane dans les véhicules de plaisance (norme CAN/ACN série Z240 RV).

Emplacement de la cuisinière

Mettre la cuisinière dans un endroit où elle recevra un bon éclairage.

Ne pas placer la cuisinière au-dessus de trous dans le plancher ou en tout autre endroit où elle sera exposée à de forts courants d'air. Toute ouverture dans le mur à l'arrière de la cuisinière et dans le plancher sous la cuisinière doit être bouchée. S'assurer que le passage de l'air de refroidissement/ventilation sous la cuisinière n'est pas entravé.

REMARQUE : Une cuisinière ne doit PAS être placée sur de la moquette.

MISE EN PLACE DU SUPPORT DISPOSITIF DE STABILISATION

REMARQUE : La cuisinière risque de basculer si elle n'est pas mise en place conformément aux instructions fournies. Si le dispositif de stabilisation est utilisé correctement, il réduit le risque que la cuisinière ne - BASCULE. Même si le dispositif de stabilisation est utilisé correctement, le consommateur doit observer les précautions indiquées dans le MANUEL D'UTILISATION ET D'ENTRETIEN et éviter d'utiliser la porte du four comme un tabouret.

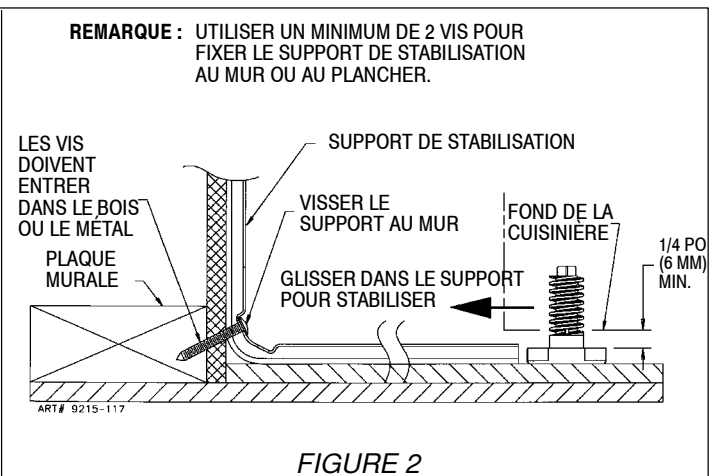
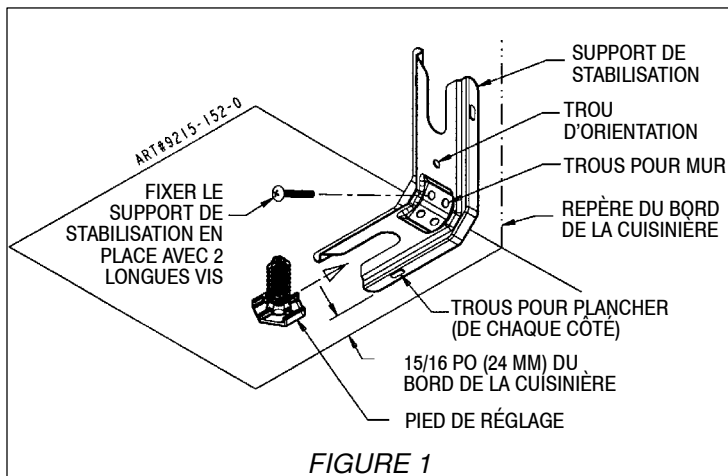
Les instructions sont prévues pour un plancher ou un mur en bois ou en ciment. Un autre matériau pourra requérir des techniques spéciales, qu'il conviendra de déterminer, pour assurer la fixation du SUPPORT DE STABILISATION au mur ou au plancher. Le support de stabilisation doit être posé de façon à s'insérer à GAUCHE ou à DROITE du pied de mise à niveau.

ÉTAPE 1 - Emplacement du support (voir figure 1)

- Déterminer où le " BORD " arrière droit de la cuisinière se trouvera une fois celle-ci en place et le marquer d'un repère sur le plancher.
- Placer le SUPPORT à 15/16 po (24 mm) de la marque " BORD " en allant vers le centre de l'ouverture et contre le mur arrière tel qu'indiqué à la figure 1, le trou d'orientation étant contre le mur.
- Utiliser le support comme gabarit et marquer l'emplacement de tous les trous pour le type de matériau sur lequel le support doit être fixé, tel qu'indiqué à la figure 1.

ÉTAPE 2 - Pose du support de stabilisation

- Bois :
 - Plancher : Déterminer le centre des deux trous identifiés par " TROUS POUR PLANCHER " à la figure 1. Percer un trou de positionnement de 1/8 po (3 mm) au centre de chaque trou (un clou ou un poinçon peut également être utilisé si une perceuse n'est pas disponible). Fixer le support de STABILISATION au plancher à l'aide des deux vis fournies. Passer à l'ÉTAPE 3.
 - Mur : Déterminer le centre des deux trous identifiés par " TROUS POUR MUR " à la figure 1. Percer un trou de positionnement de 1/8 po (3 mm) au centre de chaque trou (un clou ou un poinçon peut également être utilisé si une perceuse n'est pas disponible) tel qu'indiqué à la figure 2. Fixer le support de STABILISATION au mur à l'aide des
 - deux vis fournies tel qu'indiqué à la figure 2. Passer à l'ÉTAPE 3.
- Ciment ou béton :
 - On trouve des vis convenant au ciment ou au béton dans les quincailleries. Percer les trous de positionnement de la grandeur correspondante à celle des vis obtenues en quincaillerie au centre des trous identifiés " TROUS POUR PLANCHER " à la figure 1. Fixer le support de STABILISATION au plancher. Passer à l'ÉTAPE 3.



RACCORDEMENT DE LA CUISINIÈRE

Alimentation électrique

Une fois en place, l'appareil doit être relié à la terre conformément aux codes locaux ou, en l'absence de codes locaux, aux normes ANSI/NFPA 70 du National Electrical Code.

Au Canada, le raccordement de la cuisinière doit être conforme à la norme ACN C22.1 du Code d'électricité canadien partie 1.

Raccordement à l'alimentation électrique

La cuisinière exige une alimentation en courant alternatif 120 V et 60 Hz par prise de courant raccordée à la terre et équipée d'un disjoncteur de 15 A. Voir la puissance nominale requise sur la plaque relevable à l'arrière du coin supérieur gauche du dossier.

AVERTISSEMENT

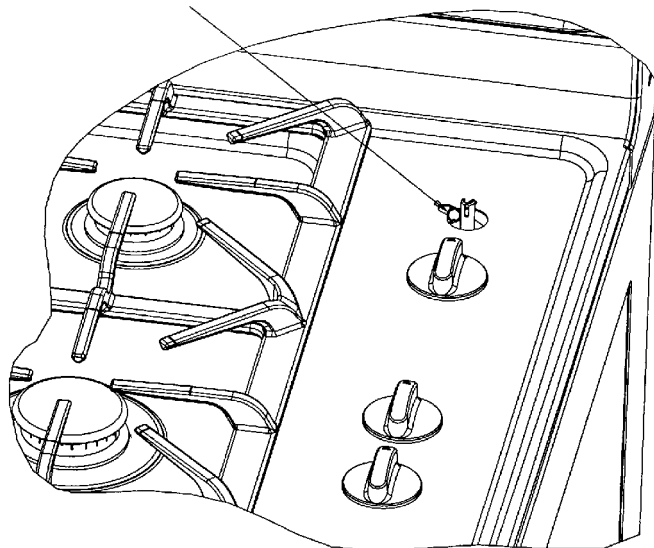
Mise à la terre

Cet appareil est muni d'une fiche à trois broches avec mise à la terre pour assurer la protection contre les risques d'électrocution et doit être branché directement dans une prise de courant correctement reliée à la terre. Ne pas enlever ni couper la broche de terre de cette fiche électrique.

AVERTISSEMENT

DÉBRANCHER L'APPAREIL DE L'ALIMENTATION ÉLECTRIQUE AVANT TOUT DÉPANNAGE.

ROBINET D'ARRÊT DE LA RAMPE À GAZ



ROBINET D'ARRÊT DU FOUR À GAZ
FIGURE 3

Alimentation en gaz

La mise en service de cette cuisinière doit être conforme aux codes locaux ou, en l'absence de tels codes, avec la norme ANSI Z223.1, dernière édition, du National Fuel Gas Code.

Au Canada, la mise en service de la cuisinière doit être conforme à la norme ACG CAN/ACG-B149 en vigueur relative aux codes de mise en service d'appareils à gaz et/ou aux codes locaux.

REMARQUE : Si les brûleurs du four ne s'allument pas, vérifier la position du robinet d'arrêt.

Robinet d'arrêt de gaz du four (Voir la figure 3)

1. Enlever le bouton du brûleur arrière.
2. Enlever la plaque de protection contre les débordement.
3. Tourner à 9 heures pour allumer et à 12 heures pour éteindre.

Vérification de la pression des conduites du logis

1. L'appareil à gaz et son robinet d'alimentation doivent être désolidarisés des conduites de gaz pendant toute vérification de la pression à des pressions supérieures à 0,5 lb/po² (3,5 kPa) (13,8 po de colonne d'eau).
2. L'appareil à gaz doit être coupé des conduites de gaz en fermant son robinet de gaz individuel pendant toute vérification de la pression dans les conduites de gaz à des pressions égales ou inférieures à 0,5 lb/po² (3,5 kPa) (13,8 po de colonne d'eau).

Raccordement à l'alimentation engaz (voir la figure 4)

LE RACCORDEMENT AU GAZ DOIT ÊTRE EFFECTUÉ PAR UN TECHNICIEN AYANT REÇU LA FORMATION APPROPRIÉE OU PAR UN INSTALLATEUR D'APPAREILS À GAZ. La vérification de l'absence de fuites sera effectuée par l'installateur conformément aux directives fournies à la section h

LA CONDUITE DE GAZ NATUREL DOIT ÊTRE ÉQUIPÉE D'UN DÉTENDEUR POUR GAZ NATUREL. LA PRESSION À L'ARRIVÉE DE CET APPAREIL DOIT ÊTRE DÉTENDUE DE FAÇON À NE PAS ÊTRE SUPÉRIEURE À 14 PO DE COLONNE D'EAU (0,5 LB/PO² / 3,5 KPA) DANS LE CAS DE GPL / LA CONDUITE DE GAZ PROPANE DOIT AVOIR UN DÉTENDEUR POUR GAZ GPL. LA PRESSION À L'ARRIVÉE DE CET APPAREIL DOIT ÊTRE DÉTENDUE DE FAÇON À NE PAS ÊTRE SUPÉRIEURE À 14 PO DE COLONNE D'EAU (0,5 LB/PO² / 3,5 KPA). UNE PRESSION À L'ARRIVÉE SUPÉRIEURE À 0,5 LB/PO² (3,5 KPA) PEUT ENDOMMAGER LE DÉTENDEUR DE L'APPAREIL ET LES AUTRES COMPOSANTS DE CET APPAREIL ET POURRAIT PROVOQUER DES FUITES DE GAZ.

REMARQUE : La cuisinière est réglée au gaz naturel pour une pression de gaz naturel de 5 po de colonne d'eau (1,25 kPa) en usine.

La pression de gaz nécessaire pour vérifier le détendeur doit être au moins 1 po de colonne d'eau au-dessus de la pression de rampe indiquée sur la plaque signalétique.

Si la conversion au gaz GPL est nécessaire, convertir le régulateur avant la mise en place. La conversion des brûleurs du gril/four et de la surface de cuisson peut se faire du devant de la cuisinière.

a. UN ROBINET DE GAZ DEVRA ÊTRE POSÉ DANS UN ENDROIT ACCESSIBLE DE LA CONDUITE DE GAZ, EN AMONT DE LA CUISINIÈRE, POUR PERMETTRE D'OUVRIR ET DE FERMER L'ALIMENTATION EN GAZ. La cuisinière doit être raccordée à l'alimentation en gaz du logis à l'aide de raccords métalliques flexibles pour appareils à gaz. **LES ÉCROUS DES RACCORDS NE DOIVENT PAS ÊTRE VISSÉS DIRECTEMENT SUR LE FILETAGE DES CONDUITES. LES RACCORDS DOIVENT ÊTRE RACCORDÉS À LA CONDUITE À L'AIDE DES ADAPTATEURS FOURNIS.**

b. La conduite de gaz du logis et/ou le raccord de la cuisinière à gaz utilisés pour raccorder la cuisinière à l'alimentation en gaz doivent être propres, libres de toutes rognures de métal, rouille ou saleté et de tout liquide (huile ou eau). La saleté qui se trouve dans les conduites peut se trouver emportée vers la rampe à gaz et entraîner des problèmes au niveau des robinets de gaz ou des commandes et boucher les orifices des brûleurs et/ou des veilleuses.

ATTENTION : NE PAS SOULEVER NI DÉPLACER LA CUISINIÈRE EN LA SAISSANT PAR LE DESSUS, LES POIGNÉES DE PORTE OU LE DOSSERET.

c. Éteindre toutes les veilleuses et le robinet de gaz de tous autres appareils à gaz.

d. Fermer le gaz au robinet principal du compteur de gaz.

e. Avant de raccorder la cuisinière au gaz, enduire tous les filetages de pâte à filetage convenant au GPL.

f. Raccorder la cuisinière à l'alimentation en gaz au niveau du détendeur uniquement à l'aide des adaptateurs fournis avec le raccord. Le détendeur fourni avec la cuisinière est équipé d'un raccord femelle de 1/2 po NPT.

REMARQUE : Il est recommandé d'utiliser un raccord flexible homologué ACN d'une longueur maximum de 36 po (91,4 cm) et une puissance nominale minimum de 88 200 BTU/h.

Voir le type de gaz pour lequel la cuisinière est prévu sur la plaque relevable à l'arrière du coin supérieur gauche du dossier.

g. Ouvrir le robinet de gaz au niveau du compteur et rallumer la veilleuse de tous autres appareils à gaz.

h. Appliquer du liquide de détection de fuites non corrosif sur tous les joints et raccords entre le robinet de la conduite de gaz et la cuisinière. Inclure les joints et raccords de l'appareil si ceux-ci ont pu se trouver desserrés pendant la mise en service. Vérifier les fuites ! Si des bulles apparaissent autour des joints et des raccords, il y a une fuite. En cas de fuite, fermer le robinet d'alimentation de gaz, serrer les raccords, ouvrir le robinet de gaz et revérifier s'il y a des fuites.

ATTENTION : NE JAMAIS VÉRIFIER LA PRÉSENCE DE FUITES À L'AIDE D'UNE FLAMME.

UNE FOIS LA VÉRIFICATION DE LA PRÉSENCE DE FUITES TERMINÉE, ESSUYER TOUT RÉSIDU DE PRODUIT.

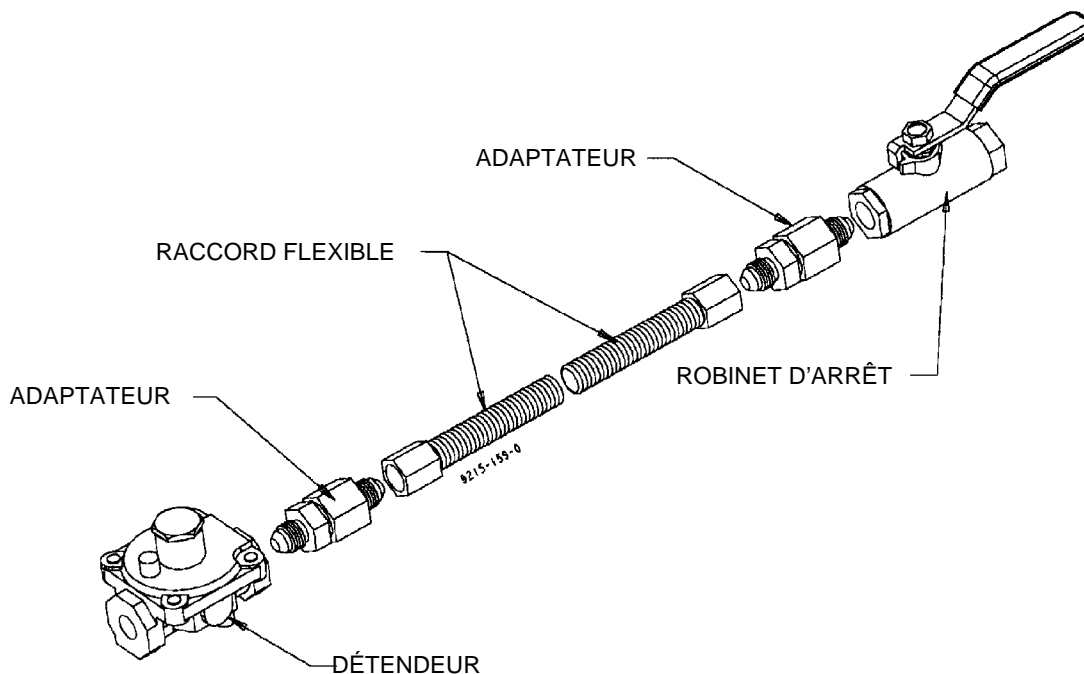


FIGURE 4

RÉGLAGES DE LA CUISINIÈRE

Partie supérieure - Allumage électrique

Pour allumer un brûleur de la surface de cuisson, pousser sur le bouton de commande correspondant et le mettre sur la position LITE. Le brûleur s'allume. Pour CESSER la production d'étincelles une fois le brûleur allumé, tourner le bouton sur le réglage HI.

REMARQUE : Les brûleurs de la surface de cuisson ne sont pas réglables.

Obturateur d'air - Brûleur du four et du grill

a. La hauteur approximative de la flamme d'un brûleur du four doit présenter une partie bleue distincte de 1/2 po (13 mm) (voir la figure 5).

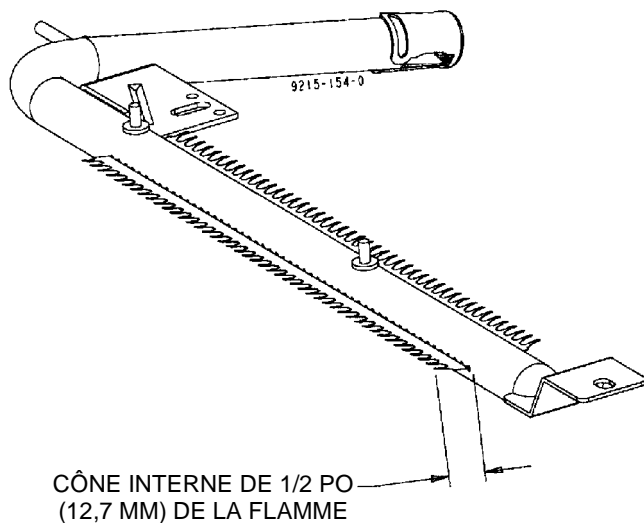


FIGURE 5

b. Pour vérifier la flamme du brûleur du four/grill:

1. Flamme jaune - ouvrir l'obturateur d'air afin d'assurer son ouverture maximum tout en ayant une flamme qui ne se soulève pas du brûleur ou qui s'éteint lorsque le brûleur est froid. (Voir l'élément 2 figure 6.)

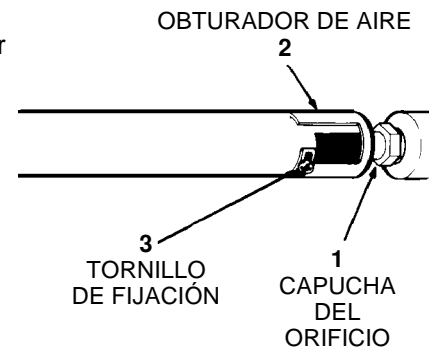


FIGURE 6

2. Flamme avec partie bleue distincte mais qui se soulève - fermer l'obturateur d'air jusqu'à ce qu'il produise une flamme qui ne se soulève pas du brûleur ou qui ne s'éteint pas lorsque le brûleur est froid. (Voir l'élément 2 de la figure 6.)

CONVERSION À UN GAZ DIFFÉRENT

Généralités

Cette cuisinière est équipée de brûleurs de four et de grill à orifices coaxiaux (universels) doubles, d'un détendeur convertible et d'orifices de brûleurs de surface de cuisson remplaçables. La plaque signalétique indique à quel type de gaz l'appareil a été réglé en usine. Pour convertir l'appareil au gaz naturel ou au gaz de pétrole liquéfié (GPL), il faut régler les capuchons d'orifice du four, les obturateurs d'air des brûleurs du four, le remplacement des orifices des brûleurs de la surface de cuisson et le réglage du capuchon de conversion du détendeur.

La pression d'arrivée de gaz au détendeur d'un appareil ménager doit être la suivante lors du fonctionnement de l'appareil et lors de la vérification du réglage détendeur :

PRESSION D'ARRIVÉE DE GAZ	NATURAL	LP
EN POUCES DE COLONNE D'EAU	GAZ	GAZ
Minimum	6	11
Maximum	14	14

Conversion du détendeur de la cuisinière

(voir la figure 7)

Le détendeur de l'appareil doit être réglé en fonction du type de gaz utilisé. Pour une conversion du gaz naturel au gaz GPL, le détendeur doit être converti de façon à ce qu'il assure la régulation de la pression du gaz GPL. Pour une conversion du gaz GPL au gaz naturel, le détendeur

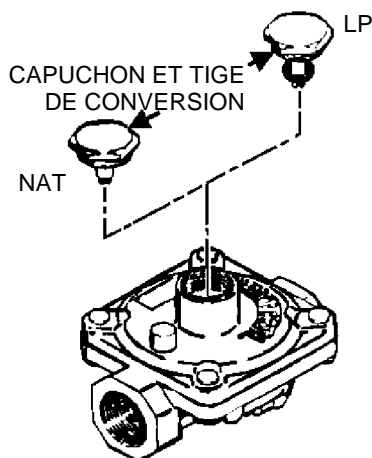
doit être converti de façon à ce qu'il assure la régulation de la pression du gaz naturel.

Procéder selon la marche à suivre ci-dessous pour convertir le détendeur au GPL. (Cet appareil est réglé sur le gaz naturel en usine.)

1. Dévisser le capuchon hexagonal du col du détendeur. (Une clé pourra être nécessaire pour desserrer le capuchon.)
2. Il y a une tige en plastique à l'intérieur du capuchon. Retirer cette tige du capuchon en faisant appui sur le côté de la tige. (Voir l'illustration.)
3. Inverser la tige et la réenclencher en place dans le capuchon en appliquant avec les doigts une pression uniforme sur les bords opposés du disque de la tige. La tige doit être fermement en place dans le capuchon.

La façon la plus facile de remettre la tige en place consiste à placer le capuchon sur une surface horizontale plane, tel qu'indiqué sur l'illustration, et d'appuyer vers le bas sur les bords du disque de la tige avec les doigts.
4. Visser le capuchon fermement en place dans le col du détendeur. (Le capuchon n'a pas besoin d'être serré à l'aide d'une clé. Il suffit de le serrer fermement à la main.)

DÉTENDEUR MAXITROL



APPUYER VERS LE BAS SUR LES BORDS DU DISQUE AVEC LES DOIGTS POUR REMETTRE LA TIGE EN PLACE DANS LE CAPUCHON



FIGURE 7

CONVERSION DES BRÛLEURS DE FOUR ET DE GRIL AU GPL/PROPANE

Pour convertir l'orifice du brûleur de four (fours supérieur et inférieur) :

Enlever les deux portes de four et procéder comme suit : (Voir les figures 8A et 8B).

- Enlever le fond du four en retirant les deux vis à l'avant. (8A)
- Enlever les arrêts de graisse du four en retirant les écrous à ailette. (8B)
- Enlever les vis avant et arrière du brûleur du four et enlever le brûleur. (8B) Faire attention à ne pas abîmer le dispositif d'allumage.
- Enlever le couvercle au-dessus de l'orifice en retirant une vis. (8B)
- Utiliser clé à douille de 1/2 po (13 mm) pour faire tourner le capuchon d'orifice d'environ 2 à 2 1/2 tours dans le sens horaire (vers le bas) jusqu'à ce qu'il bute sur la tige.

ATTENTION : Veiller à ne pas trop serrer.

- Remonter les pièces.

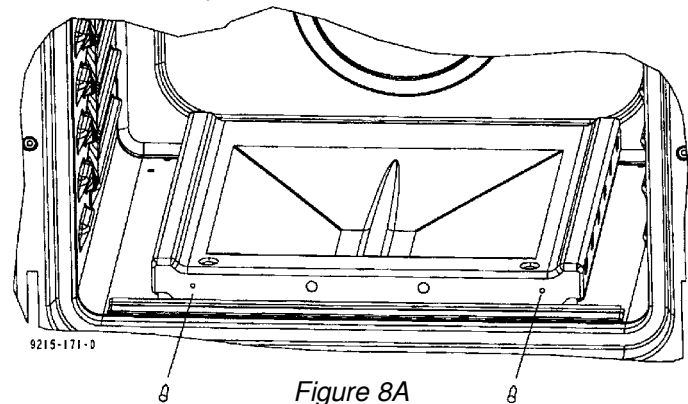
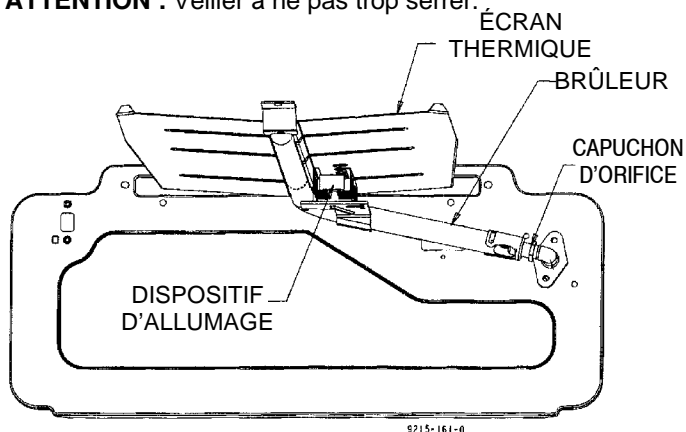


Figure 8A
Orifice de brûleur de four

Pour convertir l'orifice du brûleur du gril :

(Figure 8C)
Le capuchon d'orifice du brûleur pour gril (four supérieur uniquement) se trouvant dans le coin arrière droit, utiliser clé à fourche de 1/2 po (13 mm) pour faire tourner le capuchon d'orifice d'environ 2 à 2 1/2 tours dans le sens horaire (vers le bas) jusqu'à ce qu'il bute sur la tige.

ATTENTION : Veiller à ne pas trop serrer.



(Figure 8C)
Orifice du brûleur de gril

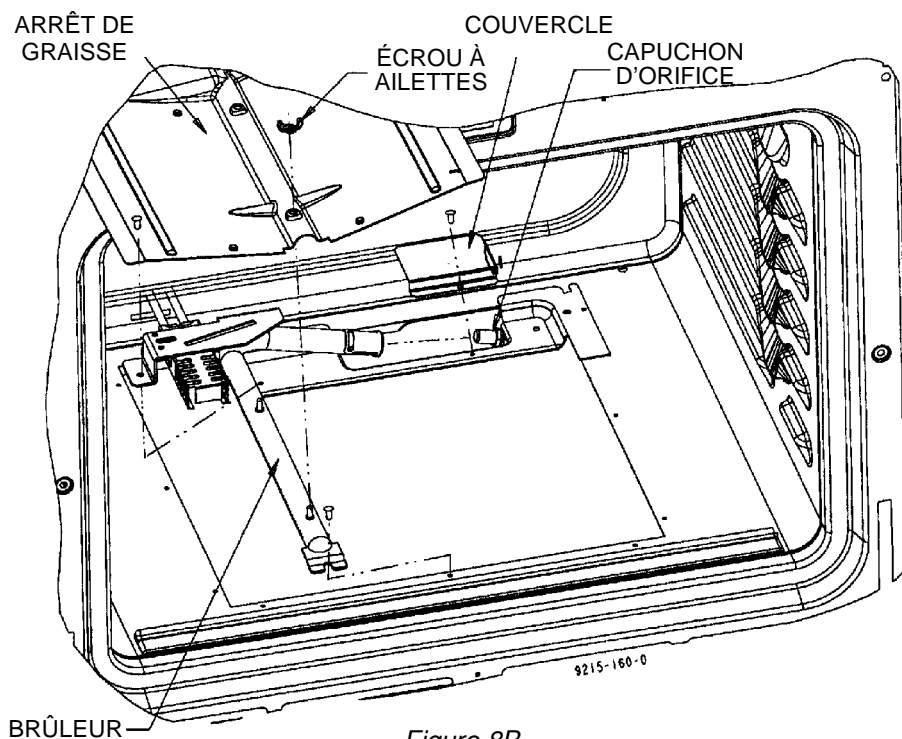


Figure 8B

CONVERSION DES BRÛLEURS DE LA SURFACE DE CUISSON AU GPL/PROPANE

ATTENTION: Cette surface de cuisson n'est pas amovible. Ne pas essayer de l'enlever. Mettre les orifices de gaz enlevés de côté pour une reconversion éventuelle au gaz naturel.

Pour tous les brûleurs:

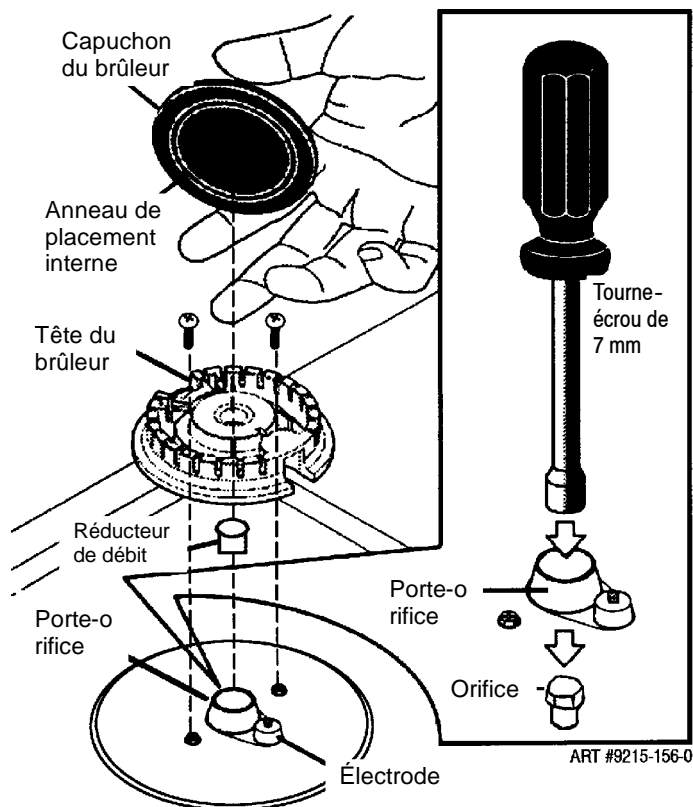
- Enlever les grilles du dessus et les capuchons des brûleurs.
- Enlever la tête du brûleur en retirant les deux vis qui la retiennent en place. (Voir la figure 9.) **REMARQUE:** Convertir un brûleur à la fois pour éviter les erreurs.
- IMPORTANT:** Remettre les deux vis en place une fois la tête du brûleur enlevée. Ces vis fixent le porte-orifice en place et évitent les dommages à l'électrode ou à la tubulure au cours du changement d'orifice.
- Retirer les quatre orifices à gaz naturel montés en usine du centre des porte-orifices à l'aide d'un tourne-écrou de 7 mm (voir la figure 9). Ne pas oublier de mettre les orifices pour gaz naturel originaux de côté pour pouvoir reconverter l'appareil au gaz naturel par la suite s'il y a lieu.
- Remplacer l'orifice dans chacun des quatre porte-orifices par un orifice pour gaz GPL/propane approprié (voir la figure 10).

IMPORTANT: S'assurer que l'orifice est fermement en place dans le tourne-écrou avant de tenter de le remplacer. Serrer chaque orifice jusqu'à ce qu'il soit fermement serré. Faire attention à ne pas trop serrer.

- Enlever les vis une fois le changement d'orifice terminé et remonter les têtes de brûleur.

IMPORTANT: Un réducteur de débit doit être ajouté au porte-orifice avant gauche, tel qu'indiqué à la figure 9.

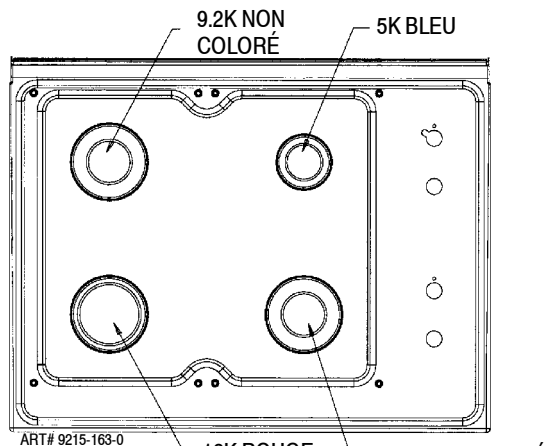
- Remettre les capuchons et les grilles des brûleurs en veillant à la prudence dans le remplacement des capuchons, afin que l'électrode pas endommagée.



IMPORTANT: Un réducteur de débit doit être ajouté au porte-orifice avant gauche uniquement.

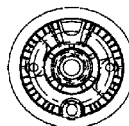
Figure 9

Configuration des brûleurs de la surface cuisson

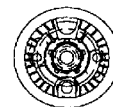


AVANT DU DESSUS
1 ORIFICE BLEU
2 ORIFICES NON COLORÉS
1 ORIFICE ROUGE

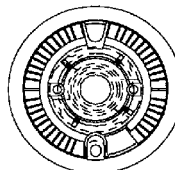
CONVERSION DE L'ORIFICE DU GAZ NATUREL AU GAZ GPL POUR CHAQUE TYPE DE BRÛLEUR



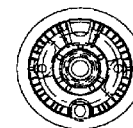
9200 BTU POUR GAZ NATUREL
CONVERTI EN 9100 BTU POUR GAZ GPL
POSER L'ORIFICE (NON COLORÉ)
0,90 MM POUR GPL



5000 BTU POUR GAZ NATUREL
CONVERTI EN 4000 BTU POUR GAZ GPL
POSER L'ORIFICE (BLEU)
0,64 MM POUR GPL



16 000 BTU POUR GAZ NATUREL
CONVERTI EN 14 000 BTU POUR GAZ GPL
POSER L'ORIFICE (ROUGE)
1,14 MM POUR GPL



9200 BTU POUR GAZ NATUREL
CONVERTI EN 9100 BTU POUR
GAZ GPL POSER
L'ORIFICE (NON COLORÉ)
0,90 MM POUR GPL

Figure 10

DÉPLACEMENT DE LA CUISINIÈRE POUR LE DÉPANNAGE

Suivre les indications ci-dessous pour déplacer l'appareil afin de le dépanner.

1. Faire glisser la cuisinière vers l'avant pour la dégager du dispositif de stabilisation.
2. Fermer l'alimentation en gaz à l'appareil.
3. Débrancher l'appareil de l'alimentation électrique s'il est branché.
4. Désolidariser la conduite d'alimentation en gaz de l'appareil.
5. Procéder inversement pour la remettre en place. Si la conduite de gaz a été désolidarisée de l'appareil, vérifier qu'il n'y a pas de fuites une fois le raccordement effectué.

REMARQUE: Il est fortement recommandé que l'appareil soit désolidarisé de l'alimentation en gaz et raccordé à nouveau par un technicien de service après-vente qualifié.

La personne effectuant le dépannage **DOIT** suivre les instructions de mise en service fournies avec le raccord à gaz de l'appareil ainsi que l'étiquette de mise en garde fixée au raccord.

6. Pour éviter que la cuisinière ne bascule accidentellement, il faut la bloquer en glissant le pied de mise à niveau arrière dans le dispositif de stabilisation.

INFORMATIONS SUR LES PIÈCES ET LE SERVICE APRÈS-VENTE

Pour toutes pièces de rechange et tout service après-vente, contacter le revendeur ou un prestataire de service après-vente agréé. Donner les numéros de modèle et de série complets de la cuisinière, qui se trouvent sur la plaque relevable à l'arrière du coin gauche supérieur du dossier.

Free Manuals Download Website

<http://myh66.com>

<http://usermanuals.us>

<http://www.somanuals.com>

<http://www.4manuals.cc>

<http://www.manual-lib.com>

<http://www.404manual.com>

<http://www.luxmanual.com>

<http://aubethermostatmanual.com>

Golf course search by state

<http://golfingnear.com>

Email search by domain

<http://emailbydomain.com>

Auto manuals search

<http://auto.somanuals.com>

TV manuals search

<http://tv.somanuals.com>