

# USER'S GUIDE

## TABLE OF CONTENTS

Welcome.....	1
Safety Instructions .....	1
Loading .....	2-4
Dishwashing Essentials.....	4
Hot Water .....	4
Detergent.....	4
Rinse Aid.....	4
Operating Tips.....	5
Starting the Dishwasher .....	5
Adding a Forgotten Item .....	5
Controls at a Glance .....	5-6
Special Care Items .....	7
Care & Cleaning.....	7-8
Interior/Exterior.....	7
Door Panel Inserts.....	8
Convertible Dishwashers .....	8
Before You Call For Service.....	9-10
Warranty .....	11

*NOTE: In our continuing effort to improve the quality of our appliances, it may be necessary to make changes to the appliance without revising this guide.*

*Llame al telefono 1-800-688-9900 si desea instrucciones en Español de este folleto, numero de pieza 16009749.*

# Welcome .....

Congratulations on your choice of a Maytag Jetclean® dishwasher!

Before you use your new appliance, please read this guide carefully. You will find instructions on the proper operation and maintenance of your new dishwasher.

Please record the date of purchase, model, and serial number in the spaces provided below. Model and serial numbers can be found in the upper left of the tub opening.

Date of Purchase \_\_\_\_\_

Model Number \_\_\_\_\_

Serial Number \_\_\_\_\_


**IMPORTANT: Keep this guide and the sales receipt in a safe place for future reference. Proof of original purchase date is needed for warranty service.**

**⚠ WARNING: Check with the installer to make sure the appliance has been properly grounded to avoid possible electrical shock. Be sure you read the Important Personal Safety Instructions before you use this dishwasher.**

If you have questions, write us (include your model, serial number and phone number) or call:

Maytag Appliances Sales Company  
Attn: CAIR® Center  
P.O. Box 2370  
Cleveland, TN 37320-2370  
1-800-688-9900 USA  
1-800-688-2002 CANADA  
1-800-688-2080 USA TTY (for deaf, hearing impaired or speech impaired)  
(Mon.–Fri., 8am–8pm Eastern Time)  
<http://www.maytag.com>

## Important Safety Instructions .....

Products with a  label have been listed with Underwriter's Laboratories, Inc. – those with a CSA tag have been listed with Canadian Standards Association. Nevertheless, as with any other equipment using electricity and moving parts, there is a potential hazard.

**⚠ WARNING** – When using your dishwasher, follow basic precautions, including the following:

1. Read all instructions before using the dishwasher.
2. Use the dishwasher only for its intended function.
3. Disconnect electrical power to dishwasher before attempting to service.
4. To avoid electrical shock hazard, the sides and back must be enclosed and the front panels must be attached before electrical power is applied to the dishwasher. Refer to the installation instructions for proper grounding procedures.
5. Connect to a properly rated, protected and sized power supply circuit to avoid electrical overload.
6. Children should never be permitted to operate, or play in, with, or around this dishwasher.
7. To reduce the risk of injury when loading items to be washed, sharp or pointed items should be located with the handles up. Also, load sharp items so they are not likely to damage the door seal.
8. Do not touch the heating element on the bottom of the tub during or at the completion of a cycle. It will be hot.
9. Use only detergents and rinse additives designed for an automatic dishwasher. Never use soap, laundry detergent, or hand washing detergent in your dishwasher. Keep these products out of reach of children.
10. Do not sit, stand on or abuse the door or dish racks of the dishwasher.
11. Under certain conditions, hydrogen gas may be produced in a hot water system that has not been used for two weeks or more. **Hydrogen gas is explosive.** If the hot water system has not been used for such a period, turn on all hot water faucets and let the water flow from each for several minutes. This will release any accumulated hydrogen gas. As the gas is flammable, do not smoke or use an open flame during this process.
12. Do not wash plastic items unless marked “dishwasher safe” or the equivalent. For plastic items not so marked, check the manufacturer's recommendations.
13. Do not tamper with controls.
14. Always remove the door to the washing compartment when removing an old dishwasher from service or discarding it.
15. Use caution when unloading the dishwasher. Dishes will be hot if unloaded shortly after a cycle has completed.

## Save These Instructions



# Loading

## Before You Start

- **Don't Prerinse.** Simply scrape off any bones or large food particles.
- If connected to a food waste disposer, **make certain the disposer is empty before starting the dishwasher.**
- Scrape off tomato-based food soils (see page 7).
- **Remove certain foods** (such as mustard, mayonnaise, lemon juice, vinegar, salt or dressings) **from stainless steel flatware as soon as possible.** These foods may cause rusting and pitting if allowed to remain in contact with the surface for an extended period of time.

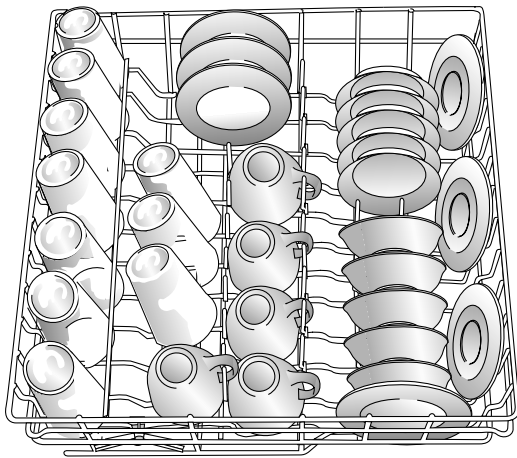
## General Recommendations

- Place all items in the racks so they are separated and facing center.
- Items can be centered behind a single tine or loaded at an angle to maximize space.
- Load items so they do not rest over the top of the wash tower.
- Avoid blocking the upper and lower spray arms by not allowing items to extend beyond the racks.

## Recommended Loading (Rack features vary by model)

For best dishwashing results follow these guidelines to determine the best arrangement for your items.

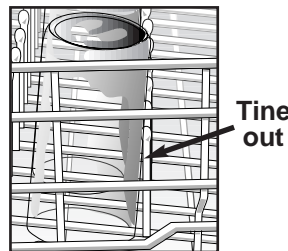
### Upper Rack



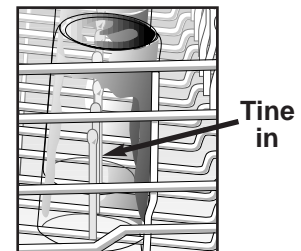
10 Place Settings

Glasses, cups, stemware, light-weight plastics, small plates, bowls, pans, long-handled utensils etc. can be loaded in this rack. **Do not load glasses over the tines.**

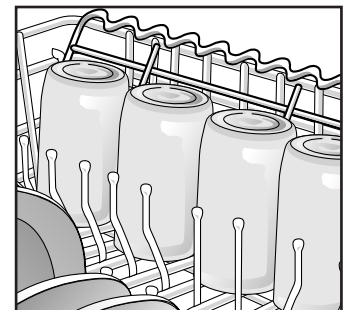
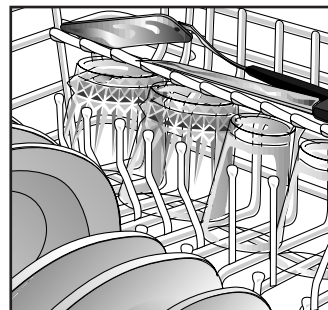
Correct



Incorrect



The Stack-Rack (select models) on the right side of the upper rack folds up or down. Fold it down to hold long-handled knives, spatulas and spoons or short items like cups or juice glasses. Fold it up for taller items like glasses, bowls, plates, etc.

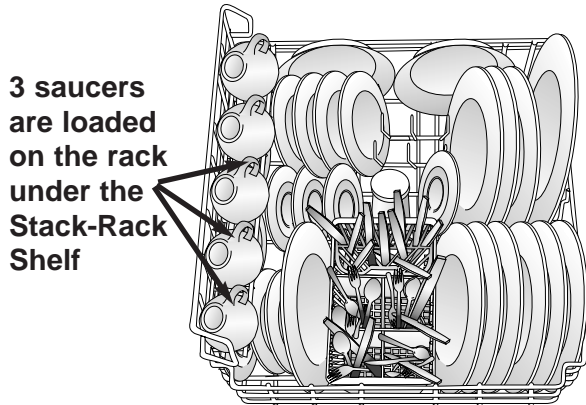




## Loading (continued)

### Lower Rack

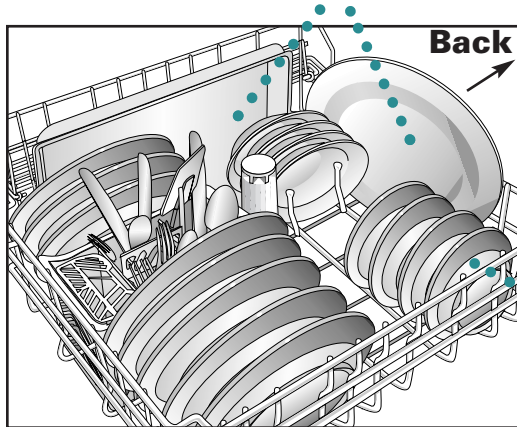
A variety of large items such as dinner plates, mixing bowls, pots and pans and baking dishes can be loaded in this rack.



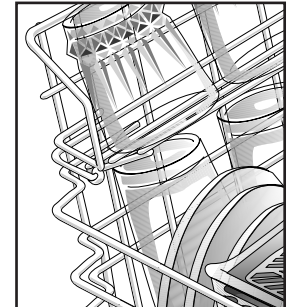
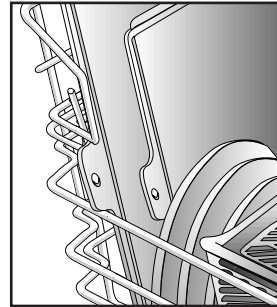
3 saucers are loaded on the rack under the Stack-Rack Shelf

10 Place Settings

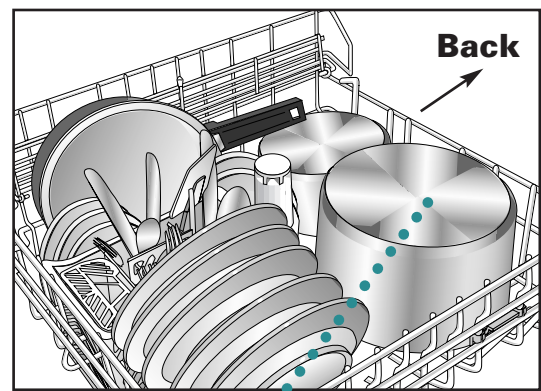
Tall items such as bakeware and large platters can be placed on the left side or across the back of this rack.



Back



With the Stack-Rack shelf (select models) raised, thin items like cookie sheets or pizza pans may be placed along the left side. With the shelf down, two levels of glasses and cups can be loaded.



Back

Positioning Fold-Away™ tines (select models) flat in the right rear corner, provides convenient loading space for large, bulky items.

### Removing the Upper Rack

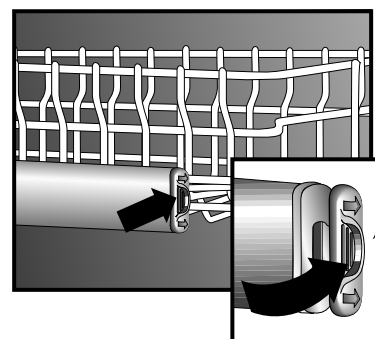
The upper rack can be removed when tall or oversized items need to be loaded into the lower rack.

**Note:** Avoid resting items over the center wash tower.

#### To remove:

- Roll the upper rack 1/3 to 1/2 of the way out.
- Remove the plastic rack stop from the end of each track. To remove each plastic rack stop, push inward (towards the rack) on the ridged area of the rack stop. The rack stop will snap open and can be easily removed by pulling straight out. Take care to support the track while removing rack stops.

- Roll the rack all the way out of the track and remove from the dishwasher.
- Reverse the above procedure to replace the upper rack into the dishwasher.



Rack Stop

## Removable Utensil Basket

(Design varies by model)

For best cleaning results, prevent items from nesting together by placing some items in the basket with handles up and some with handles down. Load knives, handles up, through the slots in the covered section (when closed).

Be sure that thin, finely pointed items do not extend through the basket. This could block the lower wash arm.

Small, lightweight items like baby spoons and plastic measuring spoons should be placed in the covered section of the basket for washing.



## Dishwashing Essentials

### Hot Water

For optimal cleaning and drying results, hot water is necessary. The incoming water temperature should be 120-140° F (49-60° C) to properly activate the detergent and melt greasy food soils.

To check the incoming water temperature, turn on the hot water faucet nearest the dishwasher and let it run into a glass in the sink. Place a candy thermometer in the glass and check the temperature once it has stopped rising. If the temperature is below 120° F (49° C), have a qualified person raise the water heater thermostat setting.

Before starting the dishwasher, turn on the hot water faucet and let it run until the water is hot. This assures that the initial fill of water is hot.

### Detergent

Use a detergent designed specifically for use in an automatic dishwasher. Be sure it is fresh and stored in a cool, dry place (not under the sink).

### Recommended Amount

The amount of detergent to use depends on the water hardness\* (measured in grains per gallon — gpg) and the amount of soil on the dishes. Too little detergent results in poor cleaning, hard water filming/spotting and poor drying. Too much detergent can cause permanent etching/cloudiness.

As a rule, use 1 teaspoon of detergent per grain of water hardness. In soft water, a minimum of 3 teaspoons is recommended.

Water Hardness*	Detergent Amount per Cup
Soft (0-3 gpg)	3 teaspoons
Medium (4-9 gpg)	4-9 teaspoons
Hard (10-12 gpg)	10-12 teaspoons

\*Your local water utility or state university extension service can tell you the degree of water hardness in your area.

For water hardness of 13-14 gpg add more detergent (1 teaspoon for each gpg above 12) to the beginning of the main wash portion of the cycle. Unlatch the door, open it slowly and add detergent to the bottom of the tub.

If water hardness is 15 gpg or harder, it is difficult to achieve good results with *any* dishwasher. The solution is a mechanical water softener to improve water quality, detergent effectiveness, and protect the dishwasher parts from the damage that hard water deposits can cause.

### Detergent Placement

The recommended amount of detergent is the per cup dosage. Do not divide this amount between cups. Each line in the detergent cup represents 3 teaspoons. Add detergent just before starting the cycle and close the cover. The detergent automatically dispenses.

For **Heavy or Normal Wash**, place the recommended amount of detergent in both the PRE WASH and MAIN WASH cups.

**Light Wash** requires detergent in the MAIN WASH cup only.

**Do not** use detergent with **Rinse Only**. Leave the detergent cup lid open when running **Rinse Only**.

### Rinse Aid

Regular use of a rinse aid improves drying, reduces spotting and filming, and reduces moisture left on the dishwasher interior.

Your dishwasher features an automatic rinse aid dispenser located near the detergent cups in the door.

The clear window in the center of the dispenser cap allows you to see if there is rinse aid in the reservoir. When the window is colored, there is rinse aid in the dispenser. When the window becomes clear, it is time to refill the dispenser. Check the dispenser monthly.

To add rinse aid to the dispenser, turn the cap counter-clockwise to open. Remove the cap and pour liquid rinse aid into the opening. Replace the cap and turn it clockwise.



## Operating Tips.....

### Starting The Dishwasher

1. After loading the dishwasher and adding detergent, set the control knob to the desired cycle and press the appropriate option(s).
2. Press the door until it latches. **The cycle will begin with a drain prior to fill.**

### Adding a Forgotten Item

For best cleaning, the forgotten item should be added early in the cycle.

- Unlatch the door.
- Wait for the water circulation to stop.
- Open the door and add the item.
- Close and latch the door.
- The cycle resumes automatically.

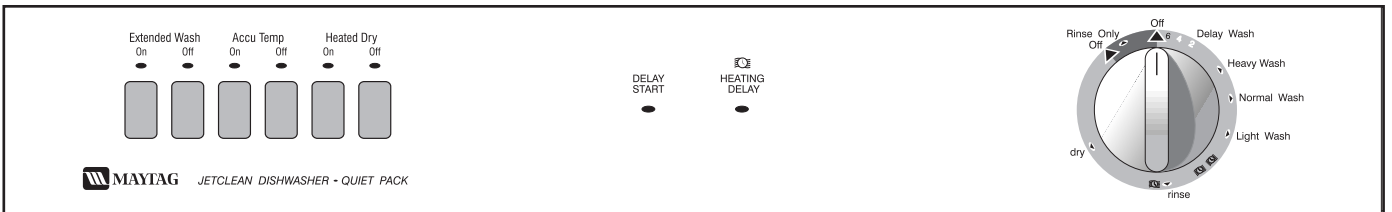


## Controls at a Glance.....

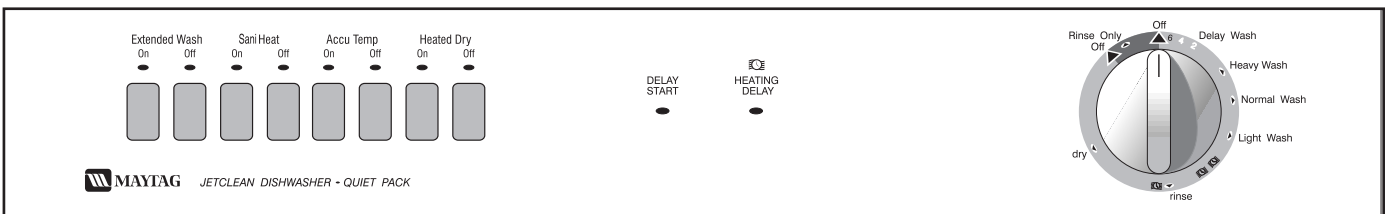
### MDB3100



### MDB4100, MDC4100



### MDB4160



## Cycles

Located around the knob on the right side of the panel.

CYCLE	SEQUENCE	WATER USAGE
<b>Heavy Wash</b> is for heavily soiled dish loads.	Prewash Prerinse Main Wash Prerinse Hi-Temp Rinse Dry	9.8 Gal.
<b>Normal Wash</b> is for loads containing dishes with normal amounts of food soils.	Prewash Main Wash Prerinse Hi-Temp Rinse Dry	7.8 Gal.
<b>Light Wash</b> is for washing lightly soiled loads.	Main Wash Prerinse Hi-Temp Rinse Dry	5.8 Gal.
<b>Rinse Only</b> is for rinsing dishes being held until the dishwasher is full. This helps reduce the potential for odors.	Rinse	1.9 Gal.

**Delay Wash** (select models) allows the dishwasher to be operated at a more convenient time or during off-peak energy rate hours. Simply turn the cycle selector knob to the desired number of delay hours and latch the door.

## Options (vary by model)

Located on the buttons on the left side of the panel.

**Temp Boost** turns on the heating element for additional time during the prewash and final rinse portions of the cycle. The **Temp Boost** option helps ensure proper water temperature for better cleaning and drying results.

**Extended Wash** provides a water temperature check early in the main wash and also in the final rinse of the cycle. If necessary, the heating element turns on and the cycle extends until the water is heated to the proper temperature.

Select **Extended Wash** for best results when washing loads with tough food soils.

**Sani Heat** checks the main wash and final rinse temperature in addition to providing additional heated dry time.

Select **Sani Heat** to aid in tough food soil removal, plus boost drying results.

**AccuTemp™** provides a water temperature check later in the main wash, in addition to the final rinse. If necessary, the heating element turns on and water is heated to the proper temperature.

Select **AccuTemp™** with any cycle (except **Rinse Only**) to maintain proper hot water temperature and to enhance drying results for all types of loads.

**Note:** Hot water is essential for optimal cleaning and drying results.



**Heated Dry ON** improves drying results by turning on the heating element during the dry portion of the cycle.

**Heated Dry OFF** turns the heating element off during the dry portion of the cycle. Towel drying of some items such as plastic and teflon may be necessary with this selection and more moisture may be noticed on the dishwasher interior.

**Note:** With either dry option, it is normal to notice vapor coming out of the vent area.

## Indicator Lights (select models)

**Delay Start** glows when this cycle is selected. The light stays on until the start of the cycle.

 **Heating Delay** glows to indicate that the cycle is being extended to heat water. The location of the  symbol around the knob corresponds to when the heating delay portions of the cycle may occur.



## Special Care Items .....

Most tableware, cookware and flatware can safely be washed in your dishwasher. If you have any doubts about an item, check with the manufacturer.

Material	Dishwasher Safe?	Special Information
<b>Aluminum</b>	Yes, except anodized.	High water temperature and detergents may affect finish.
<b>Cast Iron</b>	No	Seasoning will be removed, and iron will rust.
<b>China/ Stoneware</b>	No, if antique or hand-painted.	Always check manufacturer's recommendation before washing. Antique, hand-painted or over-the-glaze patterns may fade. Gold leaf may discolor.
<b>Crystal</b>	No, if antique or delicate crystal.	Always check manufacturer's recommendation before washing. Some types of leaded crystal may etch with repeated washings.
<b>Furnace Filters</b>	Not recommended.	May leave a dingy deposit or stain on dishwasher interior.
<b>Glass</b>	Yes	Milkglass can yellow with repeated dishwasher washing.
<b>Gold-Plated Flatware</b>	No	Will discolor.
<b>Pewter, Tin</b>	No	
<b>Plastics</b>	Yes, top rack.	Always check manufacturer's recommendation before washing. Plastics vary in their capacity to withstand high water temperatures and detergents. Disposable plastic items are not dishwasher safe for this reason.
<b>Stainless Steel</b>	Yes	Run a Rinse Only cycle (select models) if not washing immediately. Prolonged contact with foods containing salt, vinegar, milk products or juice could damage finish.
<b>Sterling Silver or Silverplate</b>	No, if has commercial "darkening".	Always check manufacturer's recommendation before washing. Run a Rinse Only cycle (select models) if not washing immediately. Prolonged contact with food containing salt, acid or sulfide (eggs, mayonnaise and seafood) could damage finish. Commercial "darkening" may be removed by detergent.
<b>Wooden Items</b>	No	Wood may warp, crack or discolor.



## Care and Cleaning .....

### Interior

The dishwasher interior is normally self-cleaning. Periodically check the bottom of the dishwasher tub to see if any large particles have not gone through the strainer portion of the module.

Wipe the edge of the inner door liner to remove any food soil splashes which occurred during loading.

The color from some tomato-based food soils has been known to occasionally adhere to today's dishwasher tubs, causing temporary discoloration. To help prevent this, **when washing a load of dishes soiled with tomato sauce:**

- Scrape excess tomato-based food soils off of dishes, prior to loading. Do not prewash the dishes, however.
- Run the **Heavy Wash** cycle.

### Exterior

The front of the dishwasher can be cleaned with a soft damp cloth and liquid spray cleaner. Do not use abrasive powders or cleaning pads.

### Storage/Moving

Fill both detergent cups with a fresh-scented dishwasher detergent or baking soda and select the **Normal Wash** cycle. Allow the dishwasher to complete the cycle. Then turn the water supply off and drain the dishwasher. To drain, start any cycle as all cycles begin with a drain. Listen for the drain to complete, then open the door to interrupt the cycle prior to the fill. Operate the drain twice to ensure most of the water is removed. Last, disconnect the electrical supply and prop open the door. (See Important Safety Instructions, #14, page 1).



## To Change the Door Panel Insert (select models)

**WARNING:** Disconnect electrical power to the dishwasher before changing the door panel insert.

1. Using a Phillips screw driver, remove either the right or left-hand door trim strips by removing the three screws.
2. Grasp the panel insert(s) and gently flex out slightly. Slide Panel(s) out about two inches. Continue to flex insert panel(s) enough to remove them. Use care, edges may be

sharp.

3. Select color and reinstall panel(s). Place insert panel(s) (notched corners at the top) on the inside of the lower door panel trim. Make sure the upper notched corners of the insert(s) are under the control panel.
4. Reinstall the side trim.



## Convertible Dishwashers

### Connecting a Convertible

- 1 Turn on the faucet at the sink until the water runs hot. Turn off the faucet.
- 2 Pull the connector from the recess in the back of the dishwasher.
- 3 Press down on the thumb release and lift the connector onto the faucet.
- 4 Remove pressure from the thumb release and tug slightly on the connector to be sure it is securely in place.
- 5 Turn the hot water on full force.
- 6 Check that the sink drain is open so water from the dishwasher can drain properly.
- 7 Pull the electrical cord from the recess. Plug it into a properly grounded outlet.
- 8 Select the proper cycle and options for the load and start the dishwasher.

### Care and Cleaning

Clean the cabinet and laminate top with a soft damp cloth and liquid spray cleaner.

To polish and protect the laminate top, use a product specifically developed for countertops such as Hope's Countertop Polish\*.

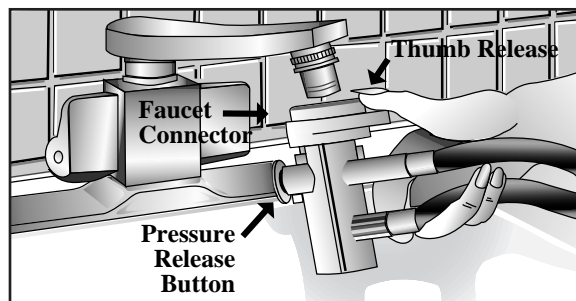
Apply an appliance wax to the cabinet once a year.

**Note:** To protect the laminate top from damage, do not use it as a cutting surface or resting place for warm/hot cookware. Do not slide ceramic or other hard or abrasive objects across the surface.

\*Brand names are the trademarks of the respective manufacturer.

### Disconnecting a Convertible

- 1 Be sure to turn the water supply off and press the pressure release button **BEFORE** removing the connector.
- 2 Press down on the thumb release and remove the connector from the faucet.
- 3 Push the connector and hoses back into the cabinet recess.
- 4 Unplug the electrical cord and push it back into the cabinet recess.





# Before You Call .....

Check these points to help save you time and money:

.....  
**Won't Fill**

- Be sure door is latched securely.
- Be sure the water is turned on.
- Check that the dial/pad is properly selected for a cycle.
- Allow time for select models to drain/pause before filling.
- Check your home's circuit breaker or fuse box.
- Check inlet hose for a kink.
- Check water valve inlet for sediment and clean if necessary.

.....  
**Won't Drain/Water in Tub Bottom**

- If connected to a food waste disposer, be sure the knock-out is removed from the disposer inlet.
- Be sure the drain hose is elevated at least 32" so water cannot siphon back into the tub.
- Check for a food obstruction in the drain or disposer.
- Check drain hose for a kink.
- Check your home's circuit breaker or fuse box.
- Check that the cycle is completed.

.....  
**Detergent Cup Not Empty**

- Check that the cycle is completed.
- Be sure dispenser is not blocked.
- Use fresh detergent which has been stored in a cool, dry place.

.....  
**Seems Noisy**

- A water valve hiss during fill is normal.
- Water circulation sounds are normal.
- A ticking noise is a normal timer sound.
- A thumping sound may be a wash arm bumping an item that is extending beyond the racks.
- Chopping or grinding sounds may be heard during drain as the internal food disposer chops hard items like fruit seeds, nuts, etc.
- Humming during drain is normal.
- A snap noise is the detergent cup lid hitting the door liner when the dishwasher door is opened at the end of the cycle. This is normal.
- Proper installation affects the noise level.

.....  
**Cycle Takes Too Long—(Heating Delay light stays on)**

- AccuTemp™ (select models), Sani Heat (select models), or Extended Wash (select models) has been selected and the cycle is extended if the water temperature is low. (See pg. 6)
- Check to see that the incoming water temperature is 120-140° F (49-60° C).

.....  
**Has An Odor**

- Run dishes being held in the dishwasher through a Rinse Only cycle.
- Many dishwashers have a "new" smell when first installed. This will dissipate with use.
- A chemical odor is usually the chlorine bleach in dishwasher detergents. Try another brand.
- Dishwasher may not be draining properly. (See "Won't Drain" section.)
- For a strong odor try placing baking soda in both sides of the detergent cup. Select Light Wash and allow the water to circulate for about 10 minutes. Interrupt the cycle by unlatching the door and let it stand overnight. Restart the dishwasher by latching the door and allow it to complete the cycle. Another alternative is to use a commercial dishwasher cleaning product such as Jet-Dry Dishwasher Cleaner\*.

.....  
**Leaks**

- Check that the dishwasher is level. (Refer to the Installation Instructions.)
- Suds can cause the dishwasher to overflow. Measure the detergent carefully and use only detergents designed for use in a dishwasher. Less detergent is needed in soft water. Try another brand if sudsing continues.
- Follow directions closely on how to add a forgotten item (pg. 5).
- Be sure the Rinse Aid lid is securely attached and product is not leaking.

**Food Soil Remains On Dishes**

- Check water temperature. (pg. 4)
- Run hot water at the sink before starting the dishwasher.
- Select Temp Boost, AccuTemp™, or Extended Wash (select models).
- Check water hardness and adjust detergent amount accordingly. (pg. 4)
- Use fresh detergent stored in a cool dry place.
- Select proper cycle for the soil level.
- Load items so they do not block the wash arms or center tower. (pgs. 2-3)
- Load the utensil basket with some handles up and some down to prevent nesting.
- Do not load glasses over tines.
- Prior to loading, scrape off burnt on foods and wipe the starchy film from utensils used with pasta, rice and oatmeal. These soils require more energy than the rest of the load to clean.

**Glasses Are Cloudy/Spotted**

- Always use a rinse aid.
- Check water temperature, incoming water should be 120-140° F (49-60° C).
- Confirm that the cloudiness is removable by soaking the item in white vinegar for approximately 5 minutes. If removed, the problem is due to hard water. Adjust detergent amount being used to match water hardness (pg. 4). Be sure detergent is fresh, stored properly and is a high quality brand.
- If cloudiness is not removable, it is **etching**. This is an erosion of the surface of the glassware and can be caused by water that is too hot, from using too much detergent or by prewashing (the detergent needs food soil to act upon). If etching has occurred, the glassware is permanently damaged. To prevent further etching, adjust the detergent amount to match the water hardness, stop prewashing, and be sure incoming water is not greater than 140° F (60° C). Use water heating options only when incoming water temperature is below 120° F (49° C).

**Items Washed in the Dishwasher or the Dishwasher Tub Itself are Stained/Discolored**

- Aluminum utensils or pans can leave marks when they rub against other items. Leave a slight space between items.
- Iron in the water can leave a yellow, brown or orange film on dishes or the dishwasher tub. A filter may be needed, check with a water treatment company. RoVer Rust Remover\*\* can be used to remove rust. Do not use RoVer along with dishwasher detergent. Fill both detergent cups with RoVer and complete a Normal Wash cycle. Follow with a short wash cycle using dishwasher detergent.
- Color from tomato based products may adhere to the tub (pg. 7). If light staining has occurred, leave the door open to oxidize the stain away. For removal of heavier stains, try a citric acid containing dishwasher cleaning product such as Glisten\*\*. Change dishwasher detergent and be sure to use a dishwasher detergent that contains chlorine for better stain fighting.

**Items Not Properly Dried/Moisture is present on the dishwasher interior after the dry cycle.**

- Be sure Heated Dry is selected.
- Water droplets may form on the inner door as part of the drying process.
- Always use a rinse aid like Jet Dry\* or Cascade Rinse Aid\*.
- Check water temperature. (pg. 4)
- Select Temp Boost, Sani Heat, and/or AccuTemp™ (select models).
- Increase detergent amount to match water hardness. (pg. 4)
- Load properly. (pgs. 2-3)
- Plastic and teflon items are difficult to dry because the porous surface tends to collect water droplets. Towel drying may be necessary.
- Glasses and cups with concave bottoms can hold water and may require towel drying.

**Dishware is Chipped**

- Load dishes according to instructions so they do not strike each other. (pgs. 2-3)
- Washing antique china/crystal in the dishwasher is not recommended.
- Do not load glasses over the tines.
- Do not overload.

\* Brand names are trademarks of the respective manufacturer.

\*\*RoVer Rust Remover part number 057961

Glisten part number 18001017

To order call 1-800-688-8408



# Dishwasher Warranty .....

## Full One Year Warranty

For ONE (1) year from the date of original retail purchase, any part which fails in normal home use will be repaired or replaced free of charge.

## Limited Second Year Warranty

After the first year from the date of original retail purchase, through the second year, parts which fail in normal home use will be repaired or replaced free of charge for the part itself, with the owner paying all other costs, including labor, mileage and transportation.

## Limited Third Through Fifth Year Warranty

After the second year from the date of original retail purchase, through the fifth year, all of the following components which fail in normal home use will be repaired or replaced free of charge for the part itself, with the owner paying all other costs, including labor, mileage and transportation. These components include:

Any parts of the Jetclean® system for all models, including the complete power module assembly, soil sensor, center spray nozzle, spray arms, top wash arm hose, and motor.

Computer Touch Control models only – any microprocessor and touch pad assemblies.

All models against rust, including exterior cabinet and front panels of convertible models, the exterior front panels and accessory side panels of built-in models, and premium DuraGuard® coated racks (available on select models).

## Full Twenty-Year Warranty

First through the twentieth year

From the date of original purchase through the twentieth year, should the tub develop a water leak in normal home use, the dishwasher itself will be replaced **FREE OF CHARGE**.

First through the twentieth year

From the date of original purchase through the twentieth year, should the door liner develop a water leak in normal home use, repair or replacement of the door liner will be made **FREE OF CHARGE**.

**PLEASE NOTE:** These full warranties apply only when the dishwasher is located in the United States or Canada. Dishwashers located elsewhere are covered by the limited warranties only, including a limited warranty for parts which fail during the first year.

## Canadian Residents

These warranties cover only those dishwashers installed in Canada that have been listed with Canadian Standards Association unless the dishwashers are brought into Canada due to transfer of residence from the United States to Canada.

The specific warranties expressed above are the **ONLY** warranties provided by the manufacturer. These warranties give you specific legal rights, and you may also have other rights that vary from state to state.

## To Receive Warranty Service

To locate an authorized service company in your area contact the Maytag dealer from whom your appliance was purchased; or call Maytag Appliances Sales Company, Maytag Customer Assistance at the number listed below. Should you not receive satisfactory warranty service, please call or write:

Maytag Appliances Sales Company  
Attn: CAIR<sup>SM</sup> Center  
P.O. Box 2370  
Cleveland, TN 37320-2370

**U.S. 1-800-688-9900**

**CANADA 1-800-688-2002**

**U.S. customers using TTY for deaf, hearing impaired or speech impaired, call 1-800-688-2080.**

**NOTE:** When writing about an unsolved service problem, please include the following information:

- (a) Your name, address and telephone number;
- (b) Model number and serial number (found on the upper left corner of the tub opening) of your appliance;
- (c) Name and address of your dealer and the date the appliance was purchased;
- (d) A clear description of the problem you are having;
- (e) Water hardness, detergent brand and amount, water temperature, and cycle used;
- (f) Proof of purchase (sales receipt).

## What Is Not Covered By These Warranties:

1. Conditions and damages resulting from any of the following:
  - a. Improper installation, delivery, or maintenance.
  - b. Any repair, modification, alteration or adjustment not authorized by the manufacturer or an authorized servicer.
  - c. Misuse, abuse, accidents, or unreasonable use.
  - d. Incorrect electric current, voltage or supply.
  - e. Improper setting of any control.
2. Warranties are void if the original serial numbers have been removed, altered, or cannot be readily determined.
3. Products purchased for commercial or industrial use.
4. The cost of service or service call to :
  - a. Correct installation errors.
  - b. Instruct the user on proper use of the product.
  - c. Transport the appliance to the servicer.
5. Consequential or incidental damages sustained by any person as a result of any breach of these warranties.
 

Some states do not allow the exclusion or limitation of consequential or incidental damages, so the above exclusion may not apply.

User's Guides, service manuals and parts catalogs are available from Maytag Appliances Sales Company, Maytag Customer Assistance.

**MAYTAG • One Dependability Square • Newton, Iowa 50208**

**MAYTAG ONLINE** <http://www.maytag.com>

Litho U.S.A.

Download from [Www.Somanuals.com](http://www.Somanuals.com). All Manuals Search And Download.

# GUIDE DE L'UTILISATEUR

## TABLE DES MATIÈRES

Bienvenue.....	1
Mesures de sécurité.....	1
Chargement.....	2-4
Points Essentiels.....	4
Eau Chaude.....	4
Détergent.....	4
Agent de Rinçage.....	4
Conseils d'utilisation.....	5
Mise en Marche du Lave-Vaisselle.....	5
Ajout d'un Article Oublié.....	5
Les Contrôles en bref.....	5-6
Articles d'un Entretien Particulier.....	7
Nettoyage et Entretien.....	7-8
Intérieur/Extérieur.....	7
Panneau de la Porte.....	8
Lave-Vaisselle Adaptable.....	8
Avant d'appeler un service de dépannage.....	9-10
Garantie.....	11

**REMARQUE:** En raison des perfectionnements constamment apportés à nos lave-vaisselle, il se peut qu'une le lave-vaisselle soit modifiée sans que ce guide soit révisé.

Llame al telefono 1-800-688-9900 si desea instrucciones en Español de este folleto, numero de pieza 16009749.

# Bienvenue.....

Nous vous félicitons sur le choix d'un lave-vaisselle Maytag Jetclean®!

Avant d'utiliser ce nouvel appareil, prière de lire soigneusement le présent guide. Il contient des consignes sur l'exploitation et l'entretien du nouveau lave-vaisselle.

Prière de consigner la date d'achat, le modèle et le numéro de série dans les espaces fournis ci-dessous. Le modèle et le numéro de série se trouvent dans le coin supérieur gauche de l'ouverture de la cuve.

Date d'Achat \_\_\_\_\_

Numéro de Modèle \_\_\_\_\_

Numéro de Série \_\_\_\_\_

**REMARQUE:** Conservez ce guide et le coupon de caisse dans un endroit sûr pour référence ultérieure. Une preuve de l'achat d'origine est exigée pour toutes présentations de garantie.

**ATTENTION** – Vérifier, auprès de l'installateur, que l'appareil est bien relié à la terre pour éviter toute possibilité d'électrocution. Veiller également à lire les Mesures de Sécurité Importantes, avant d'utiliser l'appareil.

Pour toute question, nous écrire (inclure le modèle, le numéro de série et le numéro de téléphone) ou téléphoner au:

Maytag Appliances Sales Company  
Attn: CAIR® Center  
P.O. Box 2370  
Cleveland, TN 37320-2370 États-Unis  
1-800-688-2002 CANADA  
(Lundi-vendredi, 8 h à 8 h, heure de l'est)  
Internet : <http://www.maytag.com>

## Mesures de Sécurité.....

Les appareils portant le symbole (UL) sont homologués par les Laboratoires des Assureurs, Inc. Ceux portant le monogramme CSA sont homologués par l'Association Canadienne de Normalisation. Cependant, comme avec tout appareil utilisant de l'électricité et comportant des pièces mobiles, il existe toujours des possibilités de danger.

**ATTENTION:** Lors de l'utilisation du lave-vaisselle, suivre des précautions de base, dont les suivantes:

1. Lire toutes les instructions avant d'utiliser le lave-vaisselle.
2. Utiliser le lave-vaisselle uniquement pour l'usage pour lequel il est prévu.
3. Débrancher le lave-vaisselle ou en couper l'alimentation avant toute réparation ou intervention de dépannage.
4. Pour éviter tout risque d'électrocution, les côtés et le dos de l'appareil doivent être enclos et les panneaux avant en place avant que le lave-vaisselle ne soit mis sous tension. Vous référer au manuel de mise en service pour une mise à la terre correcte.
5. Brancher l'appareil sur un circuit d'alimentation correctement protégé et d'une puissance nominale suffisante pour éviter une surcharge électrique.
6. Ne pas laisser les enfants utiliser le lave-vaisselle ni jouer avec, dedans ou autour.
7. Pour réduire les risques de blessures lors du chargement du lave-vaisselle, placer tout objet pointu ou coupant manche vers le haut. Veiller également à le charger de façon à ce qu'il ne puisse pas abîmer le joint de la porte.
8. Ne pas toucher l'élément chauffant situé au fond de la cuve durant le lavage ou à la fin de ce dernier. Il est alors chaud.
9. Utiliser uniquement des détergents ou agents de rinçage spécialement conçus pour les lave-vaisselle. Ne jamais utiliser de savon, de détergent pour la lessive ni de détergent pour la vaisselle à la main. Garder ces produits hors de portée des enfants.
10. Ne pas vous asseoir ni monter sur la porte ni les paniers, ni autrement les abîmer.
11. Dans certaines conditions, il peut y avoir production d'hydrogène dans un système de chauffage d'eau qui n'est pas utilisé pendant 2 semaines ou plus. **L'hydrogène est un gaz explosif.** Si votre système de chauffage d'eau n'est pas utilisé pendant une telle durée, ouvrir tous les robinets d'eau chaude et laisser couler l'eau pendant plusieurs minutes. Ceci élimine toute accumulation d'hydrogène. Ce gaz étant inflammable, ne pas fumer ni utiliser de flamme vive pendant ce temps.
12. Ne pas laver d'articles en plastique dans le lave-vaisselle, sauf s'ils sont indiqués comme pouvant aller au lave-vaisselle. Dans le cas d'articles en plastique ne portant pas d'indications précises à cet effet, se référer aux recommandations du fabricant.
13. Ne pas modifier les mécanismes de commande.
14. Avant de mettre l'appareil hors service ou au rebut, retirer la porte du compartiment de lavage.
15. Faire preuve de prudence lors du déchargement du

## Conserver ces instructions



# Chargement

## Avant de commencer

- Ne pas préincer. Il suffit de jeter os et gros morceaux de nourriture.
- Si le lave-vaisselle s'évacue dans un broyeur à déchets, veiller à ce que celui-ci soit totalement vide avant de mettre le lave-vaisselle en marche.
- Gratter les taches tenaces laissées par les aliments à base de tomates (voir page 7).

- **Éliminer certains aliments** (tels que moutarde, mayonnaise, jus de citron, vinaigre, sel et vinaigrettes) **des articles en acier inoxydable aussi rapidement que possible**. Ils peuvent attaquer le métal s'ils restent en contact prolongé avec celui-ci.

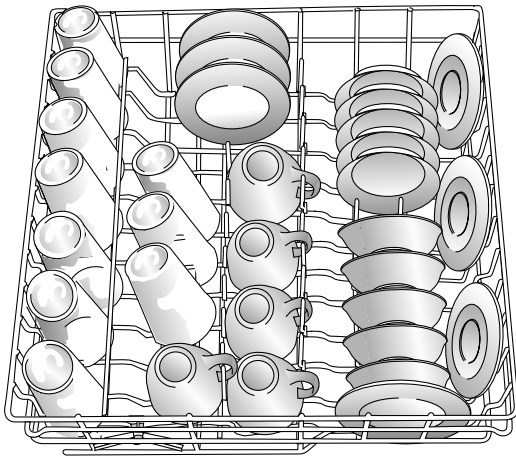
## Recommandations d'Ordre Général

- Placer les articles dans les paniers de façon à ce qu'ils ne soient pas collés les uns aux autres et les tourner vers le centre.
- Les articles peuvent être centrés sur une tige de retenue ou chargés en biais pour tirer le meilleur parti possible de l'espace.
- Charger la vaisselle de façon à ce qu'aucun article ne repose sur le dessus de la tourelle.
- Éviter de bloquer les bras gicleurs inférieur et supérieur. Pour cela, ne rien laisser dépasser des paniers.

## Chargement Recommandé (les caractéristiques des paniers varient selon le modèle)

Pour obtenir de meilleurs résultats, observer les présentes directives pour déterminer la disposition qui convient le mieux à vos articles.

### Panier Supérieur

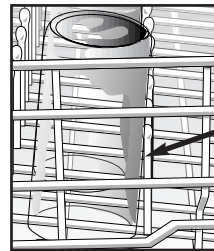


10 Couverts

La tablette Stack-Rack (modèles sélectionnés), du côté droit du panier supérieur, se relève et se rabat, permettant plus de flexibilité dans le chargement d'une variété d'articles. La rabattre pour maintenir en place couteaux à long manche, spatules et cuillères ou encore des articles de peu de hauteur tels que tasses ou verres à jus de fruit. La relever pour permettre de placer des articles plus hauts tels que verres, bols, assiettes, etc.

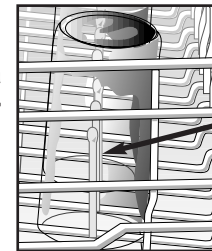
Il peut recevoir verres, tasses, verres à pied, articles en plastique léger, petites assiettes, bols, casseroles, récipients à long manche, etc. **Ne pas placer les verres sur les tiges de retenue.**

Correct

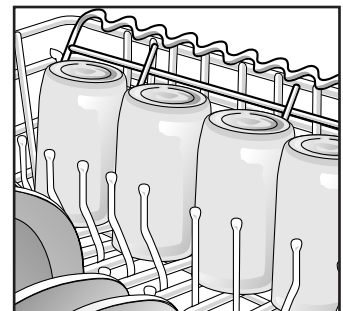
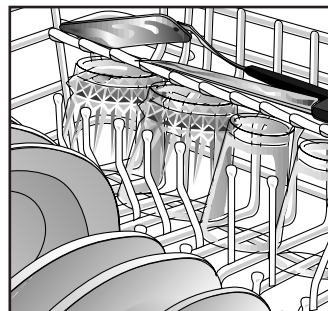


Tige à l'extérieur

Incorrect



Tige à l'intérieur



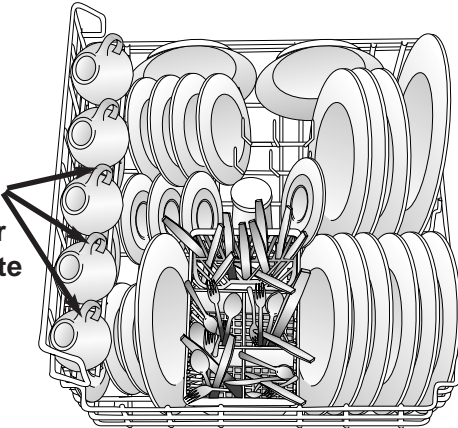


## Chargement (continuer)

### Panier inférieur

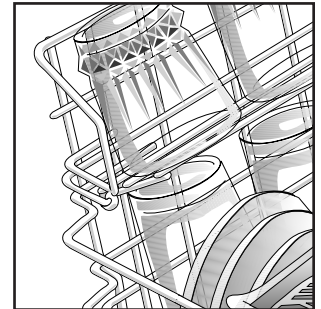
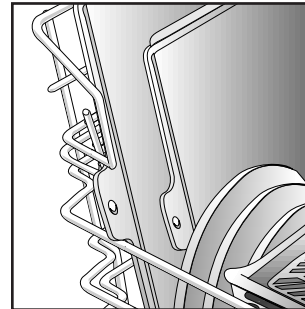
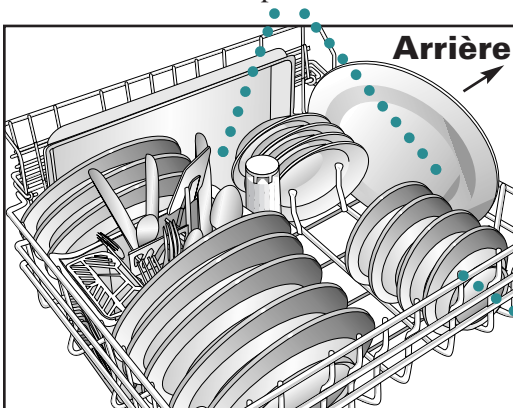
Ce panier peut accueillir plusieurs grands articles, comme les assiettes à dîner, les bols à mélanger, les casseroles et les plats de cuisson.

3 soucoupes sont placées dans le panier sous la tablette Stack-Rack

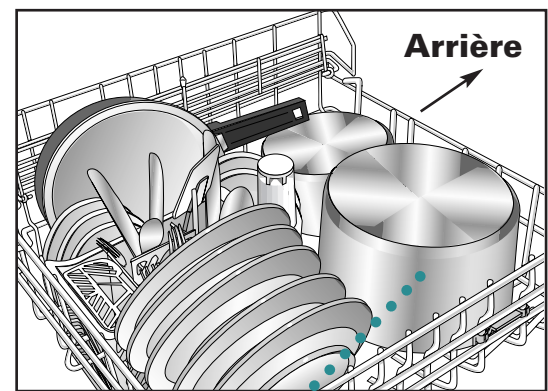


10 Couverts

Des articles en hauteur tels que moules à gâteaux et grands plats de service peuvent être placés du côté gauche ou à l'arrière de ce panier.



Lorsque la tablette Stack-Rack (modèles sélectionnés) est relevée, elle permet de placer des articles peu épais tels que plaques à biscuits, plats à pizza, etc. le long du côté gauche. Lorsqu'elle est rabattue, elle permet de placer verres et tasses sur deux étages.



Si les tiges de retenue Fold-Away™ (modèles sélectionnés) sont rabattues, à l'arrière droit du panier, elles laissent un espace pratique pour les articles de grandes dimensions.

### Pour Retirer le Panier Supérieur

On peut retirer le panier supérieur si on désire placer des articles de plus grandes dimensions dans le panier du bas.

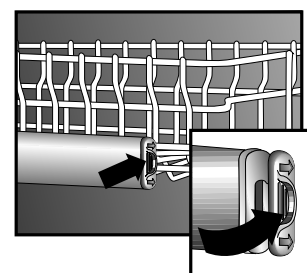
**Remarque:** Ne pas disposer d'articles par-dessus la tour centrale de lavage.

#### Pour retirer le panier supérieur:

- Faire rouler le panier vers soi jusqu'à ce qu'il soit retiré environ du tiers ou de la moitié.
- Pour retirer la butée en plastique installée à l'extrémité de chaque glissière, pousser vers l'intérieur (vers le panier) sur la moulure de la butée. La butée s'ouvre d'un coup sec; il est alors facile de l'enlever en tirant

vers soi. S'assurer de bien soutenir la glissière au moment d'enlever les butées.

- Tirer complètement le panier vers soi afin de le retirer du lave-vaisselle.
- Pour remettre le panier supérieur en place, inverser l'ordre des instructions précitées.



Butée



## Panier d'ustensiles amovibles (la configuration varie selon le modèle)

Pour de meilleurs résultats de lavage, éviter de disposer les ustensiles l'un sur l'autre. En ce sens, placer la poignée de certains ustensiles vers le bas, et d'autres vers le haut. Charger les couteaux en disposant la poignée vers le haut par les fentes de la section recouverte (lorsqu'elle est fermée).



## Points Essentiels

### Eau Chaude

Pour obtenir les résultats voulus au lavage et au séchage, une eau très chaude est essentielle. Elle doit être entre 49° et 60° C (120° et 140° F) pour activer le détergent et faire fondre la graisse laissée par les aliments.

Pour vérifier la température de l'eau, ouvrir le robinet d'eau chaude le plus proche du lave-vaisselle et faire couler l'eau dans un verre, dans l'évier. Mettre un thermomètre à confiserie dans le verre, attendre que la température cesse de monter et lire la température indiquée. Si l'eau est à une température inférieure à 49° C (120° F), faire régler le thermostat de votre chauffe-eau par une personne qualifiée.

Avant de démarrer le lave-vaisselle, ouvrir le robinet d'eau chaude pour laisser couler l'eau jusqu'à ce qu'elle devienne chaude. Ainsi, le remplissage initial se fera au moyen d'une eau chaude.

Utiliser uniquement un détergent en poudre spécialement conçu pour les lave-vaisselle. Utiliser du détergent frais et le conserver dans un endroit frais et sec (pas sous l'évier).

### Quantité recommandée

La quantité de détergent à utiliser dépend de la dureté de l'eau (mesurée en grains par 3,8 L (gallon), ou gpg) et du degré de saleté de la vaisselle. Avec une quantité insuffisante de détergent, la vaisselle risque de ne pas être parfaitement propre, de mal sécher et il peut se former un film ou des taches d'eau dure. Par contre, trop de détergent risque de laisser un voile permanent sur la vaisselle.

En règle générale, verser 1 cuillère à thé de détergent par grain de dureté de l'eau. Avec une eau douce, il est recommandé de verser au moins 3 cuillères à thé.

Dureté de l'eau*	Quantité de détergent
Douce (0 à 3 grains)	3 c. à thé
Moyenne (4 à 9 grains)	4 à 9 c. à thé
Dure (10 à 12 grains)	10 à 12 c. à thé

\*Le service local de distribution d'eau ou les services connexes de l'université peuvent vous indiquer le degré de dureté de l'eau dans votre région.

Pour de l'eau d'une dureté de 13 à 14 gpg, ajouter davantage de détergent (1 cuillère à thé pour chaque grain plus de

S'assurer que les ustensiles minces pointus ne dépassent pas du panier, sinon ils risquent de bloquer le mouvement du bras inférieur de lavage.

Placer les petits ustensiles légers, comme les cuillers de bébé et les cuillers à mesurer de plastique dans la section recouverte du panier durant le lavage.



12) au début de la phase de lavage principal du cycle. Déverrouiller la porte, l'ouvrir doucement et ajouter le détergent au fond de la cuve.

Si la dureté de l'eau est de 15 gpg ou plus, il est difficile d'obtenir de bons résultats, *quel que soit* le lave-vaisselle. Il faut alors ajouter un produit adoucissant l'eau pour améliorer la qualité de l'eau, l'efficacité du détergent, et protéger les pièces du lave-vaisselle contre les dommages causés par les dépôts d'eau dure.

### Ajout de Détergent

La quantité recommandée de détergent est une dose du distributeur. Ne pas répartir le détergent dans les deux distributeurs. Chaque ligne gravée dans le distributeur représente 3 cuillères à thé. Ajouter du détergent juste avant de démarrer le lavage et refermer le couvercle. Ce dernier s'ouvre automatiquement au moment opportun.

Pour **Heavy Wash (gros lavage)** ou **Normal Wash (lavage normaux)**, verser la quantité recommandée de détergent dans les deux distributeurs.

Pour **Light Wash (lavage léger)**, utiliser seulement la moitié du distributeur principal.

Ne pas verser de détergent dans le distributeur pour un cycle **Rinse Only (rinçage seulement)**. Laisser le couvercle du distributeur ouvert durant ce cycle.

### Agent de Rinçage

L'utilisation régulière d'un agent de rinçage améliore les résultats au séchage, réduit la formation de taches ou de film, et réduit l'humidité à l'intérieur du lave-vaisselle.

Votre lave-vaisselle est doté d'un distributeur d'agent de rinçage automatique situé à l'intérieur de la porte, près du distributeur de détergent.

La fenêtre transparente qui se trouve au centre du capuchon du distributeur permet de vérifier s'il reste de l'agent de rinçage dans le réservoir. Lorsque la fenêtre est colorée, il y a de l'agent de rinçage dans le réservoir. Lorsqu'elle devient transparente, il faut en remettre. À titre indicatif, vérifier le distributeur tous les mois.

Pour remplir le distributeur, l'ouvrir en tournant le capuchon dans le sens contraire à celui des aiguilles d'une montre. Retirer le capuchon, puis verser de l'agent de rinçage liquide dans l'ouverture. Remettre le capuchon en place et le tourner dans le sens des aiguilles d'une montre.



# Conseils d'Utilisation

## Mise en Marche du Lave-Vaisselle

1. Une fois le lave-vaisselle chargé et le détergent ajouté, mettre le sélecteur sur le cycle désiré et appuyer sur le ou les touches d'options appropriées.
2. Appuyer sur la porte jusqu'à ce qu'elle se verrouille. **Le cycle commence par une période de vidange avant de se remplir.**

## Ajout d'un Article Oublié

Pour des résultats optimums, il est préférable que l'article oublié soit ajouté aussi tôt que possible une fois le cycle commencé.

- Déverrouiller la porte.
- Attendre que le bruit de circulation de l'eau ait cessé.
- Ouvrir la porte et ajouter l'article.
- Fermer la porte et la verrouiller.
- Le cycle reprend automatiquement.

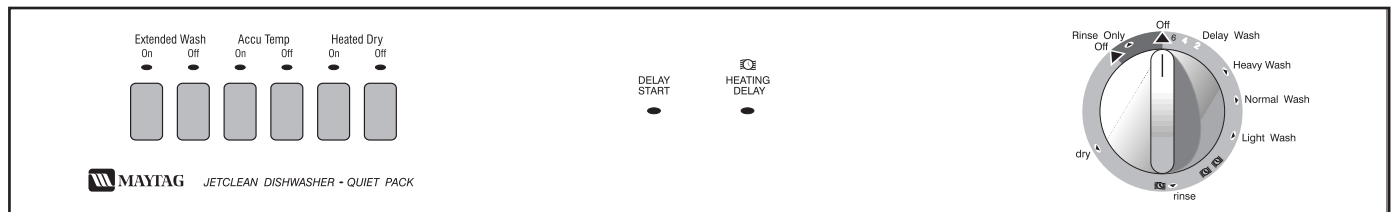


# Les Contrôles en Bref

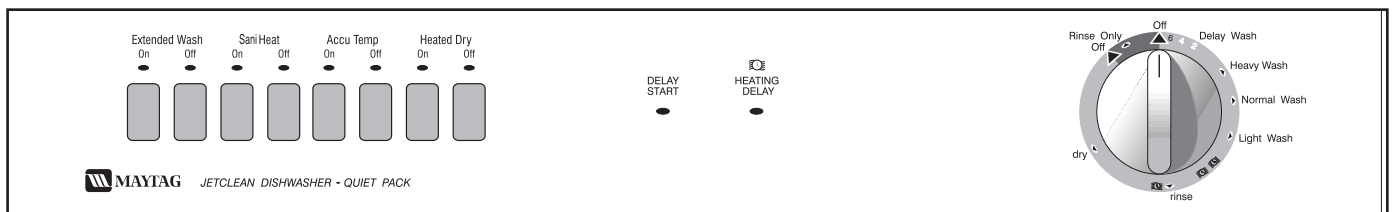
## MDB3100



## MDB4100, MDC4100



## MDB4160



## Cycles

Ils sont indiqués autour du sélecteur qui se trouve sur le côté droit du tableau.

OPTIONS DE CYCLE	SÉQUENCE	CONSOMMATION D'EAU
<b>Heavy Wash (gros lavage)</b> convient à la vaisselle très sale.	Prélavage Prérinçage Lavage principal Prérinçage Rinçage Haute Température Séchage	37 L (9,8 Gal.)
<b>Normal Wash (lavage normal)</b> est conçu pour la vaisselle normalement sale.	Prélavage Lavage principal Prérinçage Rinçage Haute Température Séchage	29,52 L (7,8 Gal.)
<b>Light Wash (vaisselle peu sale)</b> est conçu pour la vaisselle légèrement sale.	Lavage principal Prérinçage Rinçage Haute Température Séchage	21,95 L (5,8 Gal.)
<b>Rinse Only (rinçage seulement)</b> permet de rincer la vaisselle qui se trouve dans le lave-vaisselle en attendant qu'il soit plein, de façon à réduire la possibilité d'odeurs de nourriture.	Rinçage	7,19 L (1,9 Gal.)

**Delay Wash (délai lavage)** (modèles sélectionnés) permet de programmer le lave-vaisselle pour qu'il fonctionne à une heure plus pratique ou pendant les heures creuses. Il suffit de tourner le sélecteur de cycle sur le nombre d'heures avant la mise en marche du lave-vaisselle. Fermer et verrouiller la porte.

## Options (les options varient selon le modèle)

Les touches se trouvent sur la gauche du tableau de commande.

La fonction **Temp Boost (hausse de température)** allume l'élément chauffant durant une partie du prélavage et durant le rinçage final du cycle. Cette fonction aide à

## Voyant Indicateur (modèles sélectionnés)

**Delay Start (mise en marche différée)** s'allume pour indiquer que cette option a été sélectionnée. Le voyant reste allumé jusqu'à ce que le cycle commence.

maintenir la température appropriée de l'eau afin d'activer le détergent pour dissoudre les taches de graisse, et pour améliorer les résultats du séchage.

L'option **Extended Wash (lavage prolongé)** vérifie la température de l'eau dans les premiers instants du lavage principal et durant le rinçage final du cycle. Au besoin, l'élément chauffant s'allume et le cycle se poursuit jusqu'à ce que l'eau atteigne la température appropriée.

Choisir cette option pour obtenir de meilleurs résultats lorsque la vaisselle comporte des taches rebelles.

**Sani Heat (Chauffage)** vérifie la température de l'eau du lavage principal et du rinçage final. Cette option prolonge également la durée du séchage à l'air chaud.

Utiliser «**Sani Heat**» pour éliminer la nourriture plus difficile et pour optimiser les résultats ou séchage.

L'option **AccuTemp™ (température précise)** vérifie la température de l'eau plus tard au cours du lavage principal et durant le rinçage final. Au besoin, l'élément chauffant s'allume pour chauffer l'eau jusqu'à la température appropriée.

Choisir cette option avec tout cycle (sauf le cycle **Rinse Only, rinçage seulement**) pour maintenir l'eau chaude à la température appropriée et pour améliorer les résultats du séchage de tous les types de chargement.

**Remarque:** Il est essentiel d'utiliser de l'eau chaude pour obtenir un nettoyage optimal et de meilleurs résultats au séchage.

**Heated Dry ON (séchage en fonction)** améliore les résultats au séchage en allumant l'élément chauffant pendant la portion séchage du cycle.

La fonction **Heated Dry OFF (arrêt du séchage à chaud)** éteint l'élément chauffant durant la partie séchage du cycle. Avec cette fonction, il sera peut-être nécessaire de sécher au moyen d'un linge certains articles de plastique ou de téflon. De plus, l'intérieur du lave-vaisselle retiendra davantage d'humidité.

**Remarque :** Il est normal que de la vapeur sorte des conduits d'aération, quelle que soit l'option de séchage choisie.

☞ Le voyant **Heating Delay (délai de chauffage)** s'allume pour indiquer que le cycle se prolonge pour réchauffer l'eau. L'emplacement du ☞ autour du bouton désigne les moments où le délai de chauffage peut avoir lieu durant le cycle.



## Articles d'un Entretien Particulier.....

La plupart des plats, assiettes, couverts et récipients servant à la cuisson et à la consommation d'aliments peuvent être lavés sans danger dans votre lave-vaisselle. Néanmoins, en cas de doute sur un article, vérifier avec le fabricant.

Matériau	Convient au Lave-Vaisselle ?	Renseignements Utiles
Aluminium	Oui, sauf l'aluminium anodisé.	L'eau à température élevée et le détergent peuvent en abîmer le fini.
Fonte	Non	Le «culottage» de la fonte se trouve enlevé et le fer rouille.
Porcelaine/ Faïence	Non s'il s'agit de porcelaine ancienne ou peinte à la main.	Toujours vérifier les recommandations du fabricant avant de laver. La porcelaine ancienne, peinte à la main et les motifs rapportés peuvent perdre de leur netteté. Les dorures peuvent ternir.
Cristal	Non s'il s'agit de cristal ancien ou de cristal fin et fragile.	Toujours vérifier les recommandations du fabricant avant de laver. Un voile peut se former sur certains types de cristal de plomb après des lavages répétés.
Filtres de Fournaise	Non recommandés.	Peut laisser une tache ou un dépôt poisseux sur la paroi intérieure du lave-vaisselle.
Verre	Oui	L'opaline jaunit lorsqu'elle est lavée au lave-vaisselle de façon répétée.
Couverts plaqués or	Non	Ternit.
Étain, Bois	Non	
Plastique	Oui, panier supérieur	Toujours vérifier les recommandations du fabricant avant le lavage. Les plastiques résistent différemment aux températures élevées de l'eau et aux détergents. Les articles de plastique jetables ne conviennent pas au lave-vaisselle pour cette raison.
Acier inoxydable	Oui	Utiliser le cycle «Rinse Only» (rinçage d'attente) (sélectionnez modèles) si les articles ne vont pas être lavés immédiatement. Le contact prolongé avec les aliments contenant du sel, du vinaigre, des produits laitiers ou du jus de fruits peut en abîmer le fini.
Argent ou plaqué argent	Non s'il a été « patiné » artificiellement.	Toujours vérifier les recommandations du fabricant avant de mettre au laver. Utiliser le cycle «Rinse Only» (rinçage d'attente) (sélectionnez modèles) si les articles ne vont pas être lavés immédiatement. Le contact prolongé avec les aliments acides ou contenant du sel ou du soufre (oeufs, mayonnaise, fruits de mer) peuvent en abîmer le fini. La «patine» artificielle peut être éliminée par le détergent.
Fer blanc	Non	Le bois peut gauchir, se fendre ou ternir.



## Nettoyage et Entretien.....

### Intérieur

L'intérieur de la lavaplatos se nettoie normalement de lui-même. Il est cependant recommandé de vérifier périodiquement, au fond de la cuve, la présence éventuelle de grosses particules qui pourraient ne pas être passées dans le filtre du module.

Il est également recommandé d'essuyer le rebord de l'habillage intérieur de la porte pour enlever les liquides qui s'y sont écoulés au cours du chargement du lave-vaisselle.

La couleur laissée par certains aliments à base de tomates adhère parfois à la cuve des lave-vaisselle modernes, causant ainsi une décoloration. **Pour aider à prévenir ceci, procéder comme suit avant de laver de la vaisselle tachée de sauce tomate:**

- Gratter l'excédent de sauce tomate sur les plats avant de les mettre dans le lave-vaisselle.

- Faire fonctionner sous le cycle **Heavy Wash (gros lavage)**.

### Extérieur

L'avant du lave-vaisselle peut être nettoyé à l'aide d'un linge doux humide et de produit nettoyant liquide à vaporiser. Ne pas utiliser de poudres ni de tampons à récurer.

### Remisage ou Déménagement

Remplir les deux compartiments du distributeur de détergent pour lave-vaisselle ayant une odeur fraîche et agréable ou de bicarbonate de soude et sélectionner le cycle «Normal». Faire un cycle complet au lave-vaisselle. Couper alors l'alimentation en eau et faire fonctionner la portion vidange du cycle. Faire fonctionner la portion vidange du cycle une deuxième fois pour éliminer la plus grande partie de l'eau. Finalement, débrancher l'alimentation électrique et ouvrir la porte. (Consulter l'importante consigne de sécurité 14 à la page 1).

## Changement du panneau de la porte (modèles sélectionnés)

**DANGER :** Débrancher le lave-vaisselle ou le couper du secteur avant de changer le panneau de la porte.

1. À l'aide d'un tournevis cruciforme, enlever les trois vis qui retiennent les bandes de garniture de droite ou de gauche de la porte et enlever celles-ci.
2. Tenir le rebord du panneau et le plier doucement vers l'extérieur. Glisser le panneau vers l'extérieur sur environ 2 po (5 cm). Continuer à plier le panneau pour en permettre le retrait. Agir avec précaution, car les rebords peuvent être coupants.
3. Sélectionner la couleur désirée et remettre le panneau ou les deux panneaux en place. Les placer (coins évidés vers le haut) sous la moulure inférieure. Veiller à ce que les coins évidés se trouvent sous le tableau de commande.
4. Remettre la bande de garniture latérale et la fixer en place.



## Lave-Vaisselle Adaptable .....

### Raccordement D'un Lave-Vaisselle Convertible

- 1 Ouvrir le robinet d'eau chaude jusqu'à ce que l'eau soit très chaude. Fermer le robinet.
- 2 Sortir le dispositif de raccordement du logement à l'arrière du lave-vaisselle tel qu'indiqué.
- 3 Appuyer sur la bague de dégagement et emboîter le dispositif de raccordement sur le robinet.
- 4 Cesser d'appuyer sur la bague de dégagement et tirer légèrement sur le dispositif de raccordement pour vérifier qu'il est bien enclenché.
- 5 Ouvrir le robinet d'eau chaude à fond.
- 6 S'assurer que l'écoulement de l'évier n'est pas bouché de façon à ce que l'évacuation de l'eau puisse se faire correctement.
- 7 Sortir le cordon d'alimentation de son logement et le brancher sur une prise murale correctement reliée à la terre.
- 8 Sélectionner le cycle approprié et mettre le lave-vaisselle en marche.

### Nettoyage et Entretien

Nettoyer la carrosserie et le dessus en laminé avec un linge doux et un produit nettoyant à vaporiser.

Pour faire briller et protéger le dessus en laminé, utiliser un produit spécial pour les comptoirs tel que Hope's Countertop Polish\*.

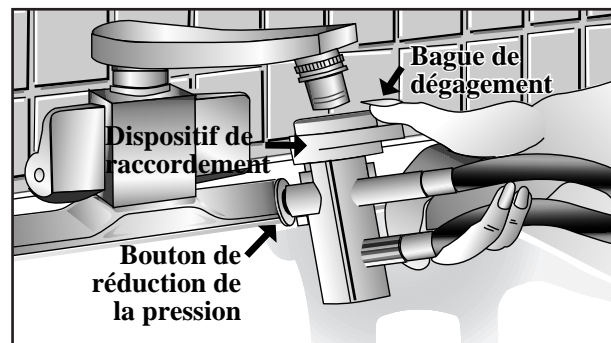
Y appliquer de la cire pour appareils électro-ménagers environ une fois par an.

**REMARQUE:** Afin d'éviter que le dessus ne se trouve endommagé, ne pas l'utiliser comme surface de coupe ni y placer des plats chauds. Ne pas faire glisser d'articles en céramique ou autres objets abrasifs sur la surface.

\*Les noms de produits sont des marques déposées de leurs fabricants.

### Déconnecter le lave-vaisselle

- 1 Veiller à couper l'alimentation en eau et appuyer sur le bouton de réduction de la pression **AVANT** d'enlever le dispositif de raccordement.
- 2 Appuyer sur la bague de dégagement et enlever le dispositif de raccordement du robinet.
- 3 Mettre le dispositif de raccordement et les boyaux dans le logement dans la carrosserie.
- 4 Débrancher le cordon d'alimentation et le mettre dans le logement dans la carrosserie.





# Avant d'Appeler un Service de Dépannage

Vérifier ces points pour épargner temps et argent si:

## Le lave-vaisselle ne se remplit pas

- S'assurer que la porte est fermée à fond et verrouillée.
- Vérifier que l'arrivée d'eau est bien ouverte.
- Vérifier que la touche du cycle désiré est bien enfoncée ou que le sélecteur est sur le cycle désiré.
- Attendre, dans le cas de certains modèles, que le lave-vaisselle se vidange ou fasse une pause avant de se remplir.
- Vérifier le disjoncteur ou la boîte à fusibles.
- Vérifier que le boyau d'arrivée d'eau n'est pas tordu.
- Vérifier si l'électrovanne est obstruée par des sédiments et nettoyer s'il y a lieu.

## Le lave-vaisselle ne s'évacue pas/Eau au fond de la cuve

- Si le lave-vaisselle est relié à un broyeur à déchets, vérifier que l'obturateur du broyeur a bien été enlevé.
- Veiller à ce que le boyau de vidange soit surélevé d'au moins 81,3 cm (32 po) de façon à ce que l'eau ne soit pas resyphonée dans la cuve.
- S'assurer qu'aucune nourriture ne vient obstruer le boyau ou le broyeur.
- Vérifier que le boyau de vidange n'est pas tordu.
- Vérifier le disjoncteur ou la boîte à fusibles.
- Vérifier que le cycle est bien terminé.

## Le compartiment de détergent ne se vide pas

- Vérifier que le cycle est bien terminé.
- Vérifier que l'ouverture du distributeur n'est pas bloquée.
- Utiliser du détergent frais et le ranger dans un endroit frais et sec.

## Le lave-vaisselle semble bruyant

- Le sifflement de l'électrovanne pendant le remplissage est normal.
- Les bruits de circulation d'eau sont normaux.
- Un tic-tac est normal et provient de la minuterie.
- Un cognement peut être dû au bras gicleur qui tappe dans un article qui dépasse des paniers.
- Un bruit de broyage ou de hachage peut se produire pendant l'évacuation de l'eau lorsque le broyeur à déchets intégré broie des articles durs comme des pépins, des noix, etc.
- Il est normal qu'il se produise un bourdonnement pendant l'évacuation de l'eau.
- Un claquement provient du couvercle du compartiment du distributeur de détergent qui tappe dans l'habillage intérieur de la porte lorsque la porte du lave-vaisselle est ouverte à la fin du cycle. Cela est normal.
- Le niveau de bruit dépend de la qualité de la mise en service.

## Le cycle est trop long (le voyant «Heating Delay» reste allumé)

- Les options AccuTemp™ (température précise), Sani Heat (Chauffage) ou Extended Wash (lavage prolongé) (modèles sélectionnés) ont été choisies et le cycle se prolonge si la température de l'eau est basse. (Consulter la page 6.)
- Vérifier si le chauffe-eau est réglé de façon à assurer une eau entre 49° et 60° C (120° et 140° F) au robinet.

## Le lave-vaisselle a une odeur

- Démarrer le cycle Rinse Only (rinçage seulement) lorsqu'on désire laisser la vaisselle dans le lave-vaisselle.
- Un lave-vaisselle nouvellement installé a une odeur de «neuf». Celle-ci disparaît à l'usage.
- L'odeur de produit chimique est en général produite par le chlore présent dans le détergent à lave-vaisselle. Essayer une autre marque.
- Le lave-vaisselle ne s'évacue pas correctement. (Voir sous «Le lave-vaisselle ne s'évacue pas correctement».)
- Si l'odeur est forte, verser du bicarbonate de soude de part et d'autre du distributeur de détergent. Sélectionner le cycle Light Wash (lavage léger) pour faire circuler l'eau pendant environ 10 minutes. Interrompre le cycle en déverrouillant la porte et laisser tel quel pendant une nuit. Redémarrer le lave-vaisselle en verrouillant la porte et laisser terminer le cycle. Il est aussi possible d'utiliser un nettoyeur de lave-vaisselle, comme le produit Jet-Dry Dishwasher Cleaner\*.

## Fuites

- Vérifier que le lave-vaisselle est de niveau. (Voir le manuel de mise en service.)
- La mousse peut faire déborder le lave-vaisselle. Mesurer le détergent avec soin et utiliser uniquement du détergent pour lave-vaisselle. Une eau douce nécessite moins de détergent. Essayer une autre marque de détergent si le détergent utilisé continue à produire trop de mousse.
- Veiller à procéder selon la marche à suivre indiquée pour ajouter un article oublié. (Voir page 5.)
- S'assurer que le couvercle de l'agent de rinçage est bien fixé et que le produit ne fuit pas.

**Il reste des résidus de nourriture sur la vaisselle**

- Vérifier la température de l'eau. (Voir page 4.)
- Faire couler le robinet d'eau chaude de l'évier avant de mettre le lave-vaisselle en marche.
- Sélectionner les options Temp Boost (hausse de la température), AccuTemp™ (température précise) ou Extended Wash (lavage prolongé) (modèles sélectionnés).
- Vérifier la dureté de l'eau et modifier la quantité de détergent en conséquence. (Voir page 4.)
- Utiliser du détergent frais, qui a été entreposé dans un endroit frais et sec.
- Sélectionner le cycle qui convient pour le degré de saleté.
- Charger la vaisselle de façon à ce que rien ne vienne bloquer les bras gicleurs ni la tourelle centrale. (Voir pages 2 à 3).
- Charger le panier à couverts en tournant certains manches vers le haut et d'autres vers le bas pour éviter qu'ils ne s'emboîtent les uns dans les autres.
- Ne pas placer les verres sur les tiges de retenue.
- Avant de charger, gratter les aliments brûlés et essuyer la pellicule amidée des ustensiles utilisés par les pâtes, le riz et le gruau. Ces taches sont plus difficiles à laver que les autres saletés.

**Le lave-vaisselle laisse des taches ou un voile sur les verres**

- Toujours utiliser un agent de rinçage.
- Vérifier la température de l'eau. L'eau du robinet doit être entre 49° et 60° C (120° et 140° F).
- Confirmer qu'il est possible d'enlever la nébulosité de l'article en le trempant pendant environ 5 minutes dans du vinaigre blanc. Si cela réussit, le problème est causé par une eau dure. Ajuster la quantité de détergent utilisée pour l'adapter à la dureté de l'eau (page 4). S'assurer que le détergent est frais, bien rangé et de haute qualité.
- Si la nébulosité persiste, il s'agit alors de gravure. Une telle érosion d'une surface vitrée peut être causée par une eau trop chaude, par une utilisation d'une trop grande quantité de détergent ou par le prélavage (le détergent agit sur la saleté). S'il s'agit de gravure, le verre est endommagé de manière permanente. Pour empêcher la progression de l'érosion, ajuster la quantité de détergent selon la dureté de l'eau, ne plus prélever et s'assurer que la température de l'eau chaude n'est pas supérieure à 140 °F (60 °C). Utiliser les options de chauffage de l'eau seulement lorsque la température de l'eau est inférieure à 120 °F (49 °C).

**Les articles lavés dans le lave-vaisselle ou la cuve du lave-vaisselle sont tachés/décolorés**

- Les plats ou ustensiles en aluminium peuvent laisser des marques lorsqu'ils entrent en contact avec d'autres articles. Laisser un petit espace entre les articles.
- Le fer dans l'eau peut laisser une pellicule jaune, brune ou orange sur la vaisselle ou la cuve du lave-vaisselle. Un filtre peut être nécessaire, vérifier avec une compagnie spécialisée comme RoVer Rust Remover\*\* peut être utilisé pour enlever la rouille. **Ne pas** utiliser RoVer avec détergent. Remplir les deux compartiments à détergent de RoVer. Faire au lave-vaisselle un cycle «Normal» complet. Faire suivre d'un cycle de lavage plus court.
- Les taches de nourriture à base de tomate peuvent adhérer à la cuve (page 7). S'il apparaît des taches légères, laisser la porte ouverte pour oxyder la tache. Pour enlever des taches rebelles, essayer un nettoyeur de lave-vaisselle à base d'acide citrique, tel que Glisten\*\*\*. Utiliser un autre détergent pour lave-vaisselle et s'assurer d'en utiliser un qui contient du chlore pour mieux combattre les taches.

**La vaisselle ne sèche pas correctement / on peut remarquer d'humidité à l'intérieur du lave-vaisselle après le cycle.**

- Vérifier que l'option «Heated Dry» (séchage à chaud) a été sélectionnée
- Il peut se former des gouttelettes d'eau sur l'intérieur de la porte durant le séchage.
- Toujours utiliser un agent de rinçage, tel que Jet Dry\* ou Cascade Rinse Aid\*.
- Vérifier la température de l'eau. (Voir page 4.)
- Sélectionner « Temp Boost » (capteur de température), «Sani Heat» (Chauffage), ou AccuTemp™ (température précise) (modèles sélectionnés).
- Augmenter la quantité de détergent utilisée en fonction de la dureté de l'eau.
- Charger correctement le lave-vaisselle. (Voir pages 2 à 3.)
- Les articles de plastique et de téflon sont difficiles à sécher parce que leur surface poreuse tend à retenir les gouttelettes d'eau. Au besoin, sécher au moyen d'un linge.
- Les verres et les tasses à fond concave peuvent retenir l'eau. Il peut être nécessaire de les sécher au moyen d'un linge.

**La vaisselle se trouve ébréchée**

- Veiller à ce que la vaisselle soit chargée tel que recommandé, de façon à ce que les articles ne se cognent pas. (Voir pages 2 à 3.)
- Il n'est pas recommandé de laver de la porcelaine ou du cristal ancienne dans le lave-vaisselle.
- Ne pas placer les verres sur les tiges de retenue.
- Ne pas trop charger le lave-vaisselle.

\*Les noms de produits sont des marques déposées de leurs fabricants.

\*\*RoVer Rust Remover, numéro de pièce 057961

Glisten, numéro de pièce 18001017

Pour commander, téléphoner au 1-800-688-2002.





## Free Manuals Download Website

<http://myh66.com>

<http://usermanuals.us>

<http://www.somanuals.com>

<http://www.4manuals.cc>

<http://www.manual-lib.com>

<http://www.404manual.com>

<http://www.luxmanual.com>

<http://aubethermostatmanual.com>

Golf course search by state

<http://golfingnear.com>

Email search by domain

<http://emailbydomain.com>

Auto manuals search

<http://auto.somanuals.com>

TV manuals search

<http://tv.somanuals.com>