

INSTALLATION MANUAL

SEALED GAS COOKTOPS

Models: MGC5430 & MGC5536

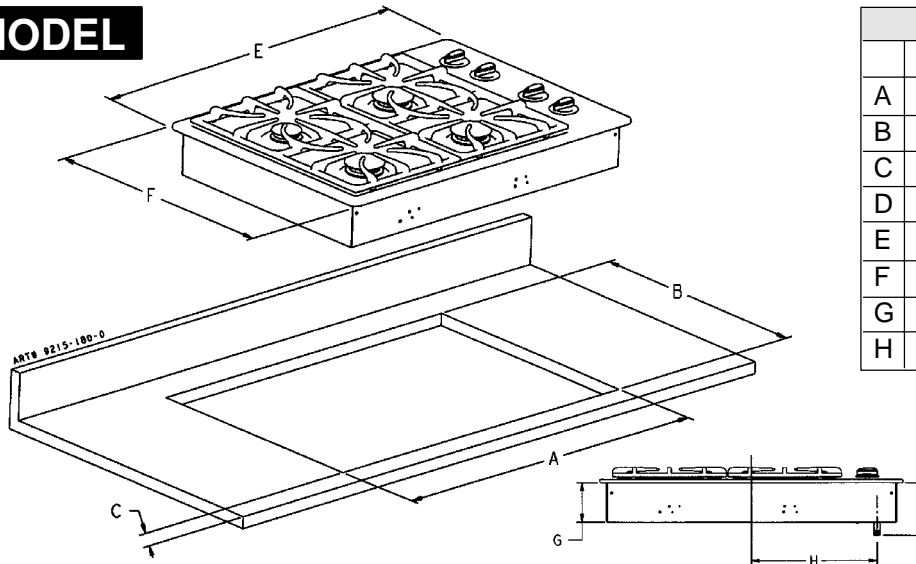


403 WEST FOURTH STREET, NORTH • NEWTON, IA 50208

IMPORTANT: Dimensions Shown in Both Inches and Centimeters.

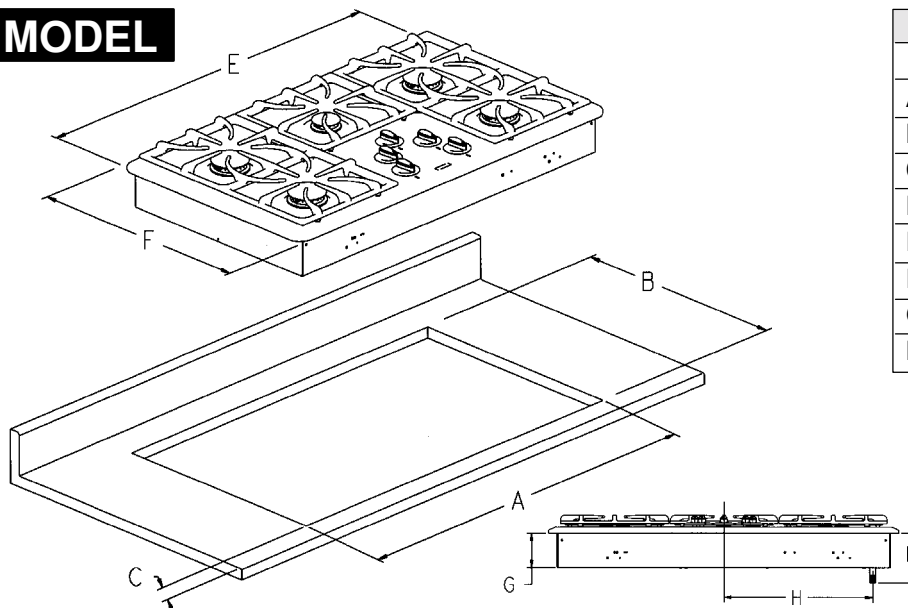
IMPORTANT: Be sure the appliance being installed is equipped for the gas to be supplied. Refer to serial plate on underside of burner box for this information. Do not attempt to convert this appliance for use with a gas other than the type specified.

30" MODEL



DIMENSIONS			
	inches		cm
A	28 1/2	± 1/16	72.4 ± 0.2
B	19 15/16	± 1/16	50.6 ± 0.2
C	2 1/8	± 1/16	5.4 ± 0.2
D	5 1/4	± 1/16	13.3 ± 0.2
E	29 1/2	± 1/16	74.9 ± 0.2
F	21 1/2	± 1/16	54.6 ± 0.2
G	3 13/16	± 1/16	9.7 ± 0.2
H	12 1/4	± 1/16	31.1 ± 0.2

36" MODEL



DIMENSIONS			
	inches		cm
A	34 1/2	± 1/16	87.6 ± 0.2
B	19 15/16	± 1/16	50.6 ± 0.2
C	2 1/8	± 1/16	5.4 ± 0.2
D	5 1/4	± 1/16	13.3 ± 0.2
E	36	± 1/16	91.4 ± 0.2
F	21	± 1/16	53.3 ± 0.2
G	3 13/16	± 1/16	9.7 ± 0.2
H	15 1/4	± 1/16	38.7 ± 0.2

IMPORTANT
CUTOUT DIMENSIONS
ARE CRITICAL



SPECIAL WARNING:

IMPROPER INSTALLATION, ADJUSTMENT, ALTERATION, SERVICE, MAINTENANCE OR USE OF RANGE CAN RESULT IN SERIOUS INJURY OR PROPERTY DAMAGE.

NOTICE TO INSTALLER: Leave these instructions with the appliance.

NOTICE TO CONSUMER: Retain these instructions for future reference.

8101P522-60
(01-03-00)

Location Of Your Maytag Appliance

Locate this appliance away from combustible materials such as window curtains and combustible wall decorations.

Minimum horizontal clearance between the edge of the appliance and combustible construction extending from the cooking surface to 18" (45.72 cm) above the cooking surface is:

- 1.0" (2.54 cm) at rear
- 6" (15.24 cm) at sides

(Dimensions apply to both 30" and 36" wide models).

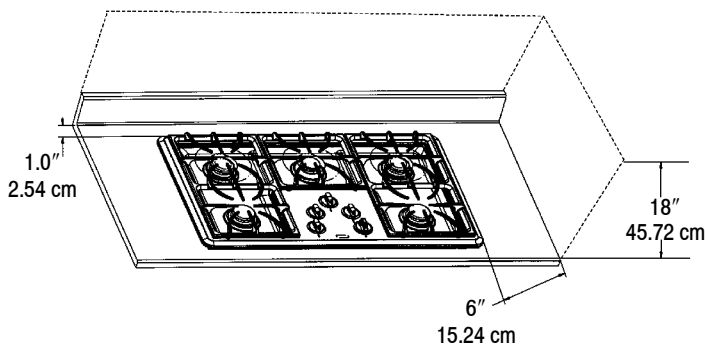


FIGURE 1

Preparation Of Countertop

The countertop cutout must be prepared according to the illustration on page 1 of these instructions.

CAUTION: Cutout dimensions are critical. Dimensions must be measured and cut accurately to within $\pm 1/16"$ (.159 cm) to ensure proper fit.

Important Preparation Suggestions

1. Chamfer all exposed edges of decorative laminate to prevent damage from chipping.
2. **Radius corners of cutout and file to insure smooth edges and prevent corner cracking. Recommend 1/4" or 3/8" diameter drill in each corner.**
3. Rough edges, inside corners which have not been rounded and forced fits can contribute to cracking of the countertop laminate.
4. Countertop must be supported within 3" (7.62 cm) of cutout.

Installing Cabinetry Over Your Maytag Cooktop

A = 30" (76.2 cm) minimum vertical clearance between cooking surface and construction above the appliance. This clearance may be reduced to not less than 24 inches (60.96 cm) by protecting the underside of the combustible material or metal cabinet above the cooking surface with not less than 1/4 inch (.635 cm) insulating millboard covered with sheet metal not less than 0.0122 inch thick.

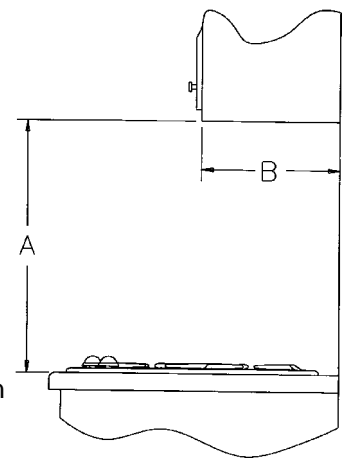


FIGURE 2

B = 13" (33.02 cm) maximum depth of cabinets installed above cooktop.

Avoid use of cabinets above cooktop for storage space to eliminate associated potential hazards such as reaching over open flames.

Required Adjustments At Time Of Installation

The installation of this appliance must conform with local codes, or in the absence of local codes, with the latest edition of the National Fuel Gas Code ANSI Z223.1 USA or current CAN/CGA-B149 INSTALLATION CODE.

- This appliance was manufactured for use with Natural Gas. If LP gas is the fuel of choice, follow the conversion to LP procedure found in the installation instructions.
- Test all external connections for gas leaks. Never test for gas leaks with an open flame.
- Test all electrical connections.

Check the cooktop serial plate to see if the cooktop is approved for installation in mobile homes and/or recreational park trailers. Serial plate is located on the bottom of the unit.

If approved, the following items are applicable:

Mobile Homes

The installation of a range designed for mobile home installation must conform with the Manufactured Home Construction and Safety Standard, Title 24 CFR, Part 3280 [formerly the Federal Standard for Mobile Home Construction and Safety, Title 24 HUD, (Part 280)] or, when such standard is not applicable, the Standard for Manufactured Home Installations, ANSI A225.1/NFPA 501A, or with local codes.

In Canada the range must be installed in accordance with the current CSA Standard C22.1 - Canadian Electrical Code Part 1 and Section Z240.4.1 - Installation Requirements for Gas Burning Appliances in Mobile Homes (CSA Standard CAN/CSA - Z240MH).

Recreational Park Trailers

The installation of a range designed for recreational park trailers must conform with state or other codes or, in the absence of such codes, with the Standard for Recreational Park Trailers, ANSI A119.5-latest edition.

In Canada the range must be installed in accordance with CAN/CSA - Z240.6.2 - Electrical Requirements for R.V.'s (CSA Standard CAN/CSA - Z240 RV Series) and Section Z240.4.2 - Installation Requirements for Propane Appliances and Equipment in R.V.'s (CSA Standard CAN/CSA - Z240 RV Series).

Installation Of Appliance

The installation of this appliance must conform with local codes or, in the absence of local codes, with the National Fuel Gas Code, ANSI Z223.1-Latest Edition, or, in Canada, CAN/CGA-B149 Installation Code, Latest Edition.

This appliance, when installed, must be electrically grounded in accordance with local codes or, in the absence of local codes, with the National Electrical Code ANSI/NFPA No. 70-Latest Edition, or, in Canada, current CSA Standard C22.1 Canadian Electrical Code, Part 1.

In The Commonwealth Of Massachusetts

This product must be installed by a licensed plumber or gas fitter when installed within the Commonwealth of Massachusetts.

A "T" handle type manual gas valve must be installed in the gas supply line to this appliance.

A flexible gas connector, when used, must not exceed a length of three (3) feet / 36 inches.

All supply piping, except as noted, should use common National Pipe Thread (N.P.T.). For all pipe connections use an approved pipe joint compound resistant to the action of LP gas.

CAUTION: Warranty is void on Maytag equipment installed other than as recommended by manufacturer.

This appliance is designed for use with the appliance gas pressure regulator supplied with this appliance. It must be installed in the gas line ahead of the gas manifold entrance. It is preset for use with natural gas and must be converted, as described on pages 8 and 9, for use with LP gas. (See figures 7 - 12).

This appliance is designed to operate at a pressure of 5 inches of water column (36" models), 4 inches of water column (30" models) on natural gas or, if converted for use with LP gas (propane or butane), 10 inches water column. Make sure this appliance is supplied with and adjusted for the type of gas for which it is designed.

This appliance was adjusted at the factory for use with natural gas. If, at any time, this appliance is to be used with a different type of gas, all of the conversion adjustments described on pages 8 and 9 must be made by a qualified service technician before attempting to operate the cooktop on that gas. Natural gas should be supplied to the appliance pressure regulator at a line pressure between 6 and 14 inches of water column or, if converted for LP gas, between 11 and 14 inches.

WARNING

If the line pressure supplying the appliance pressure regulator exceeds 14" water column (any gas), an external regulator must be installed in the gas line ahead of the appliance regulator to reduce the pressure to no more than 14" water column. Failure to do this can result in malfunction and damage to the appliance.

Insure this appliance is adjusted for the type of gas supplied to it and that the gas supply pressure to the appliance regulator is within the proper pressure range.

- If no other appliance is to be installed in the cabinetry below this unit, proceed as instructed under paragraph 1, page 4.
- If this unit is to be installed over a Maytag Model MEW6500 or MEW5500 Series Electric Wall Oven proceed as instructed under paragraph 2, page 5.

NOTE: In Canada, gas utilization codes prohibit use of street elbows. Use standard pipe elbows and make modifications to these instructions as necessary.

Connecting Appliance To Gas Supply

A QUALIFIED SERVICE TECHNICIAN OR GAS APPLIANCE INSTALLER MUST MAKE THE GAS SUPPLY CONNECTION. Leak testing of the appliance shall be conducted by the installer according to the instructions given.

Gas supply piping MUST conform to all local, municipal and state building codes and local utility regulations.

1. IF NO OTHER APPLIANCE IS TO BE INSTALLED BELOW THIS COOKTOP

Join the appliance pressure regulator supplied with this appliance to the entrance threads of the Gas Manifold. The appliance regulator is marked with a directional arrow indicating correct direction of gas flow. Ensure the appliance regulator is installed with the arrow pointing toward the gas manifold entrance. Tighten the appliance regulator to 20 to 30 ft-lbs of torque.

IMPORTANT

Never tighten to more than 35 ft-lbs of torque. Always use an approved pipe joint compound resistant to the action of LP gas.

Install the appliance in its counter cutout.

Make the gas connection to the inlet of the appliance pressure regulator with 1/2" NPT male pipe threads.

Install a manual shut-off valve in an accessible location in the gas line ahead of the appliance pressure regulator and external to this appliance for the purpose of turning on or shutting off gas to the appliance.

Make additional pipe connections as necessary ahead of the shut-off valve to the gas supply source. Assure all pipe joint connections are gas tight.

IMPORTANT

Apply a non-corrosive leak detection fluid to all joints and fittings in the gas connection between the supply line shut-off valve and the cooktop. Include gas fittings and joints in the cooktop if connections were disturbed during installation. Check for leaks! Bubbles appearing around fittings and connections will indicate a leak. If a leak appears, turn off supply line gas shut-off valve, tighten connections, turn on the supply line gas shut off valve, and retest for leaks. Never test for gas leaks with an open flame.

ILLUSTRATIVE GAS SUPPLY PIPING

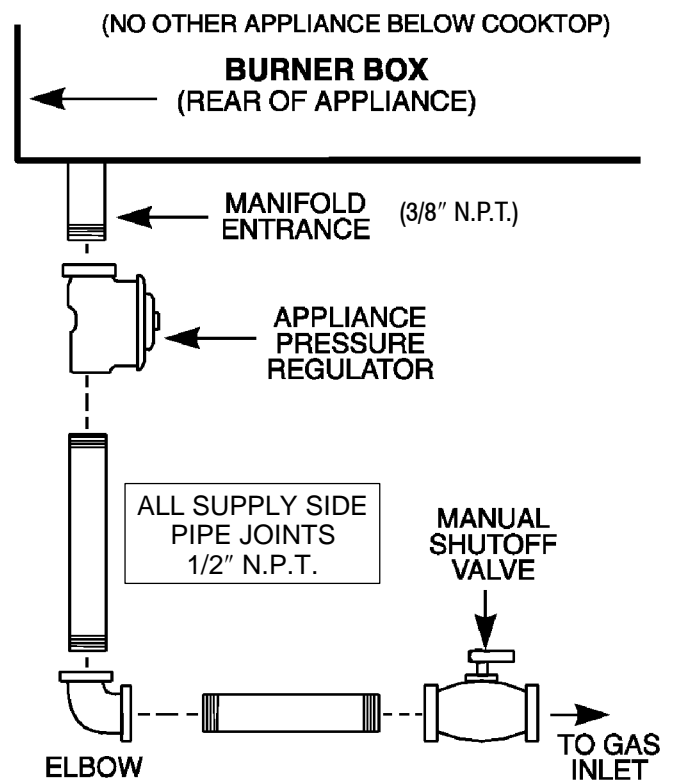


FIGURE 3

2. IF THIS UNIT WILL HAVE A MAYTAG MODEL MEW6500 or MEW5500 SERIES ELECTRIC WALL OVEN INSTALLED BELOW THIS COOKTOP.

NOTE 1: This appliance and its gas and electrical supply sources must be installed before the wall oven is installed. See illustration (Electrical Wiring Information - page 7; figure 6) for recommended electrical supply source locations.

NOTE 2: It may be necessary to extend gas supply piping for this appliance into adjacent under-counter cabinetry when a wall oven is installed below this appliance.

Join a 3/8" NPT pipe elbow (locally available) to the male threads at the manifold entrance. When joined, ensure open threads of the elbow face toward the right side of the appliance. Install the appliance in its counter cutout.

Join a 3/8" NPT pipe nipple to the elbow using a pipe section of sufficient length to extend, horizontally, beyond the right side of the wall oven. (To accomplish this it may be necessary to extend the pipe section into adjacent cabinetry.) Join additional 3/8" NPT elbow(s) and pipe nipples, as necessary, to accomplish the following:

Join the outlet of the appliance pressure regulator supplied with this appliance to the male threads of the newly installed gas supply piping. Install the appliance regulator in a location which will be accessible beside or below the wall oven. Insure the appliance regulator is installed with its directional arrow pointing in the direction of gas flow. Tighten the appliance regulator to 20 to 30 ft-lbs of torque.

ILLUSTRATIVE GAS SUPPLY PIPING (WALL OVEN INSTALLED BELOW 30" COOKTOP)

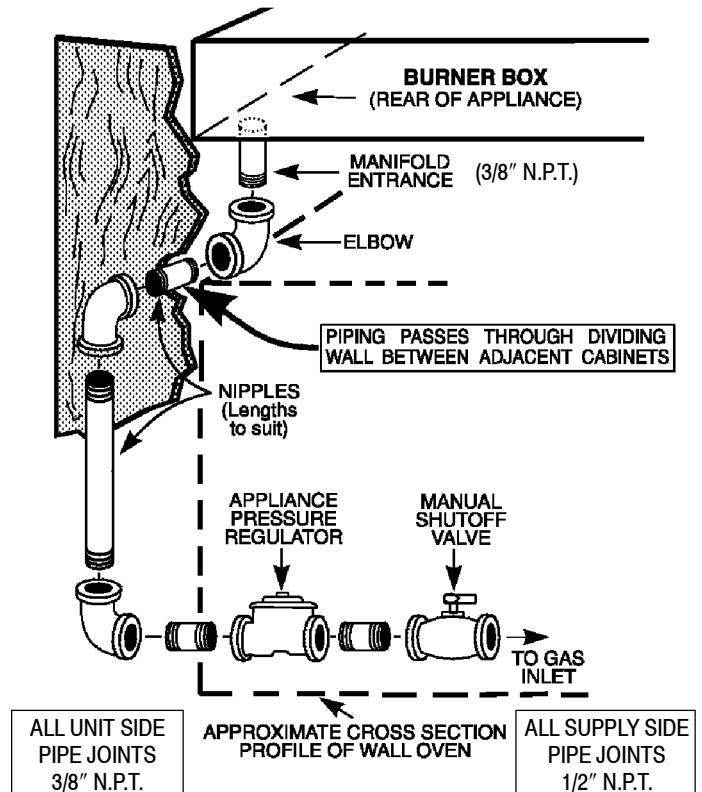


FIGURE 4

Note, regarding Figure 4, above:

- For convenience in service a union (not shown: locally available) should be included in the piping illustrated in figure 4, in a location most practical for the installation. Generally, a practical location is in the cabinet below this appliance, near the manifold entrance, rather than in an adjoining cabinet.
- If the alternative piping method shown in figure 5 is selected for the installation, no union is required. (The flexible appliance connector illustrated provides the union joints necessary for servicing.) When a dividing wall is present and a flexible connector is used it is recommended for convenience, in both installation and service, the flexible connector, itself, pass through the dividing wall. **Any flexible connector used with this appliance must satisfy all requirements stated in the text accompanying figure 5.**

IMPORTANT

Never tighten to more than 35 ft-lbs of torque. Always use an approved pipe joint compound resistant to the action of LP gas.

Locate and join a manual shut-off valve in an accessible location in the gas line ahead of the appliance regulator and external to the appliance for the purpose of turning on or shutting off gas to the appliance.

Make additional pipe connections as necessary ahead of the shut-off valve to the gas supply source. Assure all pipe joint connections are gas tight.

IMPORTANT

Apply a non-corrosive leak detection fluid to all joints and fittings in the gas connection between the supply line shut-off valve and the cooktop. Include gas fittings and joints in the cooktop if connections were disturbed during installation. Check for leaks! Bubbles appearing around fittings and connections will indicate a leak. If a leak appears, turn off supply line gas shut-off valve, tighten connections, turn on the supply line gas shut off valve, and retest for leaks. Never test for gas leaks with an open flame.

Alternative Piping Methods To Connect Appliance To Gas Supply

A TRAINED SERVICE TECHNICIAN OR GAS APPLIANCE INSTALLER MUST MAKE THE GAS SUPPLY CONNECTION. Leak testing of the appliance shall be conducted by the installer according to the instructions given.

Unless prohibited by local codes or ordinances, a new A.G.A. - Certified, flexible metal appliance connector may be used to connect this appliance to its gas supply. The connector must be no more than 5 feet in length. Per figure 5, use appropriate flare union adapter at each end of the flexible connector. If a flexible connector is used assure that both the appliance pressure regulator and manual shut-off valve are joined solidly to other permanent hard piping (either gas supply or the appliance manifold) so as to be physically stationary. See illustrations below.

CAUTION: Do not attempt to attach the flexible connector directly to an external pipe thread. Connection requires flare union adapters.

IMPORTANT

Apply a non-corrosive leak detection fluid to all joints and fittings in the gas connection between the supply line shut-off valve and the range. Include gas fittings and joints in the range if connections were disturbed during installation. Check for leaks! Bubbles appearing around fittings and connections will indicate a leak. If a leak appears, turn off supply line gas shut-off valve, tighten connections, turn on the supply line gas shut off valve, and retest for leaks. Never test for gas leaks with an open flame.

Pressure Testing

The appliance must be isolated from the gas supply piping system by closing its individual manual shut-off valve during any pressure testing of the gas supply piping system at test pressures equal to or less than 1/2 pounds per square inch (3.5 kPa).

This appliance, as well as its individual shut-off valve, must be disconnected from the gas supply piping system during any pressure testing of the system at test pressures in excess of 1/2 pounds per square inch (3.5 kPa).

When checking appliance regulator function, make certain pressure of natural gas supply is between 6 and 14 inches of water column or, if converted for LP gas, between 11 and 14 inches of water column.

ILLUSTRATIVE ALTERNATIVE PIPING

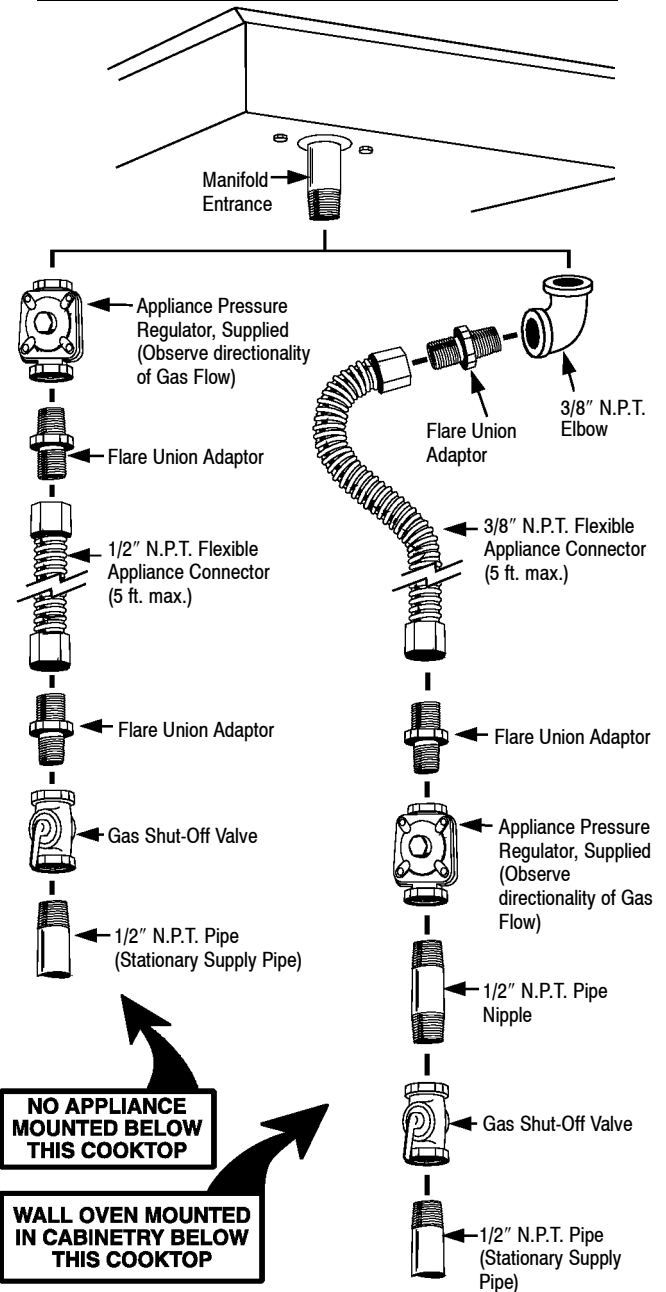


FIGURE 5

Electrical Wiring Information

This appliance is equipped with a grounded type power cord. A grounded outlet must be provided. It is recommended, for convenience, the outlet be located (with reference to figure 6) as in A or B, below:

- A. If no other appliance is to be installed below this appliance: within either the shaded area or the cross hatched area shown in figure 6.
- B. If a Model MEW6500 or MEW5500 Series Electric Wall Oven is to be installed below this appliance, either:
 1. within the cross hatched area of figure 6, or,
 2. within an adjacent cabinet.

If a wall oven is to be installed below this appliance and the counter units outlet is to be mounted within the cross hatched area of figure 6:

1. The cabinet's lower front panel, below the oven, must be made removable for access to the outlet.
2. A clearance hole for the power cord's plug (1-1/4" (3.18 cm) dia is recommended) must be provided through the oven's floor support shelf and, if necessary, through the slats supporting the shelf. The clearance hole should be located as near as practical to the rear of the shelf.

If the outlet is to be mounted in either a left or right adjacent cabinet, a clearance hole, as described above, must be provided in the dividing wall between the cabinets. Figure 4; page 5, illustrates a typical (left side) dividing wall. The clearance hole (not shown in figure 4)

can be located as is convenient in this left wall or in the corresponding right wall.

In planning any installation, note that the free length of this appliance's power cord, extending beyond a point 3-3/4" (9.53 cm) left of the nominal center of the rear wall of the burner box, when viewed from the front of the unit, is approximately 46" (117 cm).

User may experience occasional circuit tripping if Ground Fault Circuit Interrupter (GFCI) outlet or breaker is in use.

⚠ WARNING

Electrical Grounding Instructions

This appliance is equipped with a (three-prong) grounding plug for your protection against shock hazard and should be plugged directly into a properly grounded receptacle. Do not cut or remove the grounding prong from this plug.

⚠ WARNING

THIS APPLIANCE MUST BE DISCONNECTED FROM ITS ELECTRICAL SUPPLY AT THE WALL RECEPTACLE BEFORE SERVICING THE APPLIANCE.

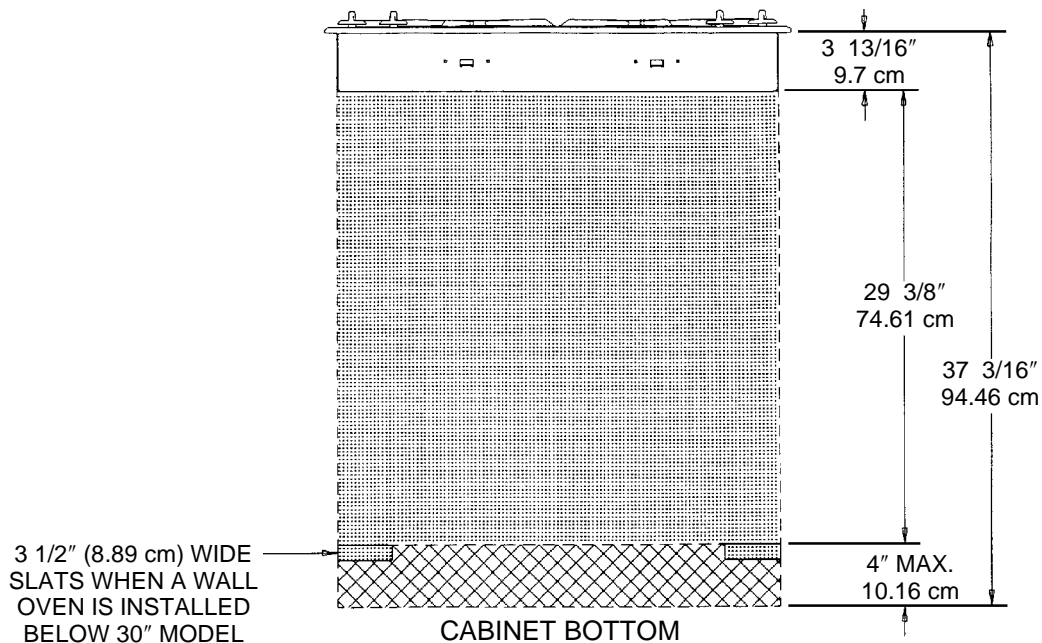


FIGURE 6

Converting Appliance For Use With LP Gas

⚠ WARNING

Propane conversion is to be performed by a MAYTAG AUTHORIZED SERVICER (or other qualified agency) in accordance with the manufacturer's instructions and all codes and requirements of the authority having jurisdiction. Failure to follow instructions could result in serious injury or property damage. The qualified agency performing this work assumes responsibility for this conversion.

⚠ WARNING

Electrical power and gas must be turned off prior to conversion.

This appliance was adjusted at the factory for use with natural gas. To convert it for use with LP gas (propane or butane), each of the following modifications must be performed: (A, B, and C)

A. REPLACE ALL ORIFICE SPUDS

Step 1: Remove the grates and burner caps.

Step 2: Remove burner base by removing 2 screws.
(See figure 7).

Step 3: Firmly press 9/32" (or 7mm) nut driver over the orifice spud (figures 7 and 8) and loosen spud by turning counter-clockwise. Carefully lift nut driver out of burner throat. Orifice spud should be captured in the nut driver. Repeat steps 2 & 3 for each burner.

REMOVAL OF ORIFICE SPUD

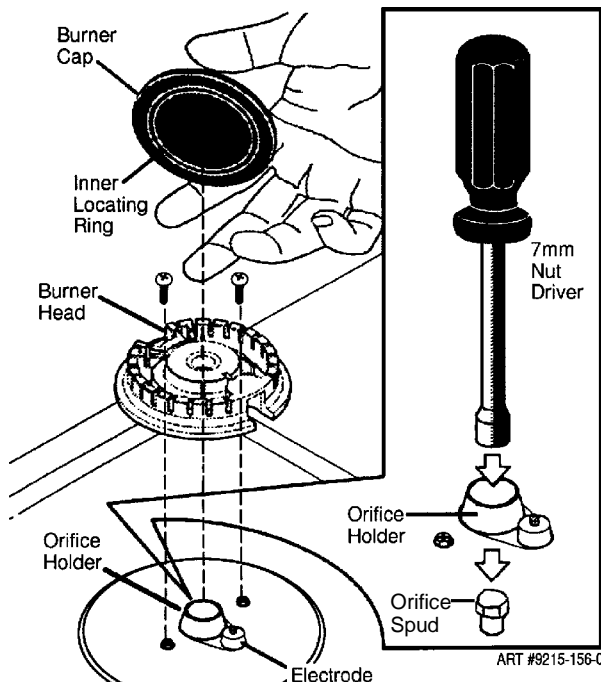


FIGURE 7

FIGURE 8

Installation Of LP Orifice Spud

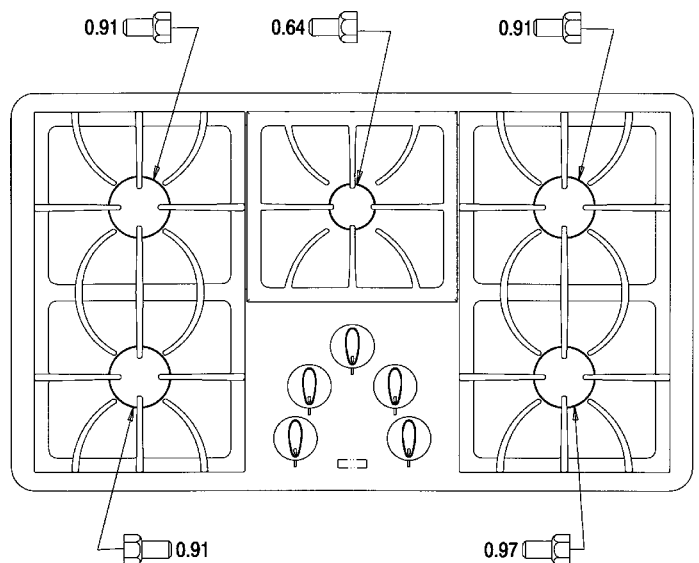


FIGURE 9

Step 4: Locate the LP orifice spud packet included in the literature packet. The spuds have small numbers stamped on the side. This number codes the orifice diameter and its correct burner location. Figure 9 and 10 show the correct LP orifice spud location.

Step 5: Carefully install the orifice spud in the appropriate burner throat by turning clockwise to tighten. Tighten to a torque of 15 to 20 inch-lbs.

Step 6: Replace burner base, caps, and grates. Tighten screws (do not cross thread) to 25-30 in lbs.

Step 7: Save the orifices removed from the appliance for future use.

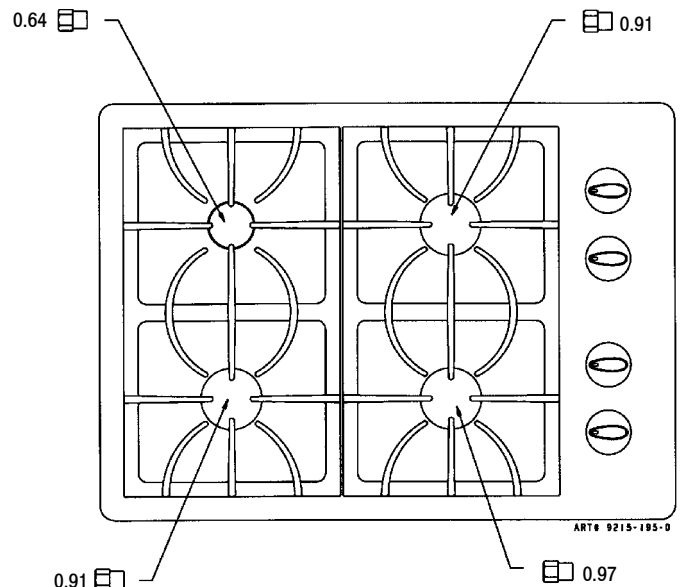


FIGURE 10

B. INVERT CAP IN APPLIANCE PRESSURE

REGULATOR (See figure 11)

With the appliance installed, the appliance regulator should be located as shown in figure 3, 4 or 5.

CONVERSION OF APPLIANCE PRESSURE REGULATOR

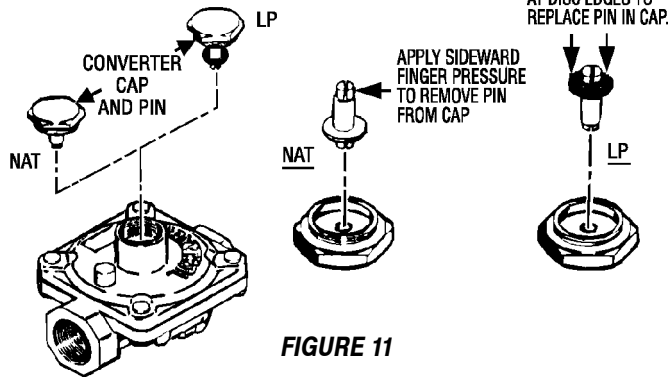


FIGURE 11

C. LOW FLAME ADJUSTMENT (See figure 12)

This appliance is shipped from the factory with low and high flame settings adjusted for use with natural gas. To set for use with LP proceed as follows:

1. Remove control knob from valve stem.

CAUTION: NEVER USE A METAL BLADE TO PRY KNOB OFF. IF KNOB CANNOT BE EASILY REMOVED, TUCK THE FOLDS OF A CLOTH DISHTOWEL UNDER THE KNOB AND PULL THE TOWEL UPWARD WITH STEADY, EVEN PRESSURE.

2. Carefully remove rubber grommet.
3. Locate the valve adjustment screw. See figure 12.
4. Insert a slender, thin-blade screwdriver into knob hole and engage blade with slot in adjusting screw.
5. Turn the adjusting screw clockwise until tight (5-7 in-lbs max.). Do not over tighten.
6. Replace rubber grommet and control knob.
7. Repeat for remaining burners.

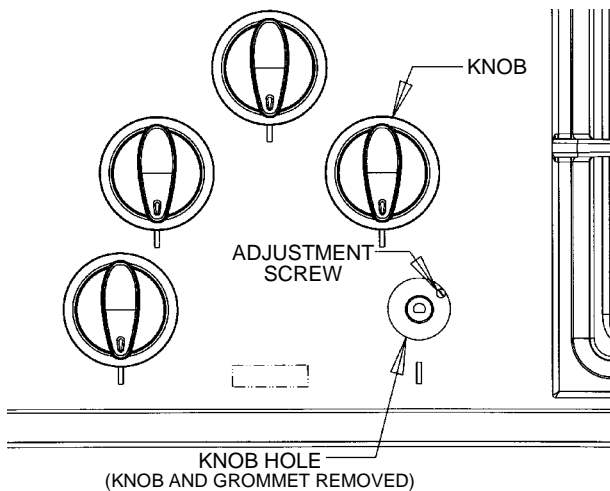


FIGURE 12

After adjusting the screw the burner should produce a stable, steady blue flame of minimum size. The setting should be checked by turning knob from high to low several times without extinguishing the flame.

This operation will automatically provide the proper flame size at medium setting.

After Conversion Steps A, B and C have been completed, check the appearance of each burner flame at the Hi and Lo settings against figure 13. If the flames appear too large or too small, review each step to make sure it was completed correctly.

FLAME APPEARANCE AT HI AND LO

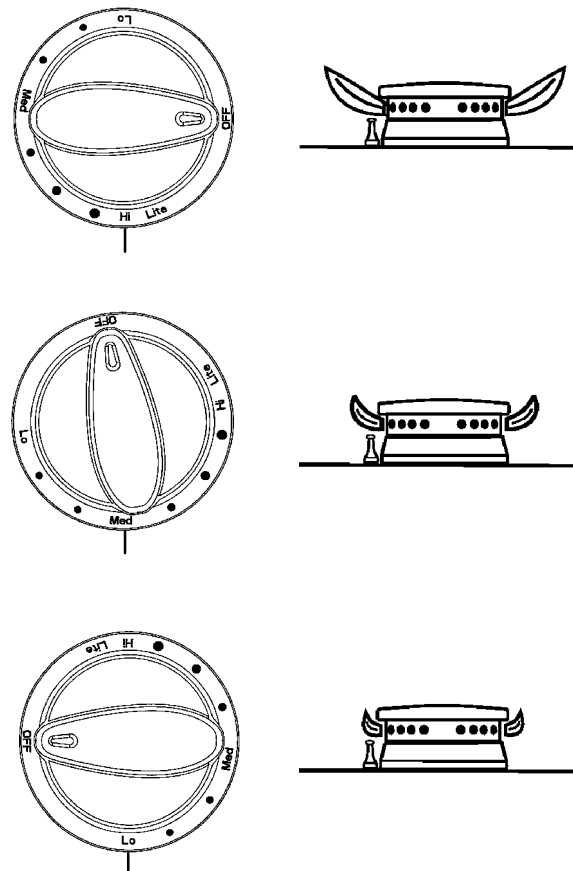


FIGURE 13

To Convert Appliance For Use With Natural Gas

⚠ WARNING

Electrical power and gas must be turned off prior to conversion.

If this appliance has been converted for use with LP gas, each of the following modifications must be performed to convert the unit back to natural gas.

A. REPLACE ALL ORIFICE SPUDS.

1. Perform Steps 1 and 2 on page 8.
2. Perform Step 3 on page 8.
3. For Step 4: Locate the brass natural gas orifice spuds that were originally installed in this appliance before its conversion for use with LP gas. Observe the number on each of the spuds and note the correct burner location for each spud as shown in figures 14 and 15.

Installation Of Natural Gas Orifice Spuds

5 BURNER MODEL (36" WIDE)

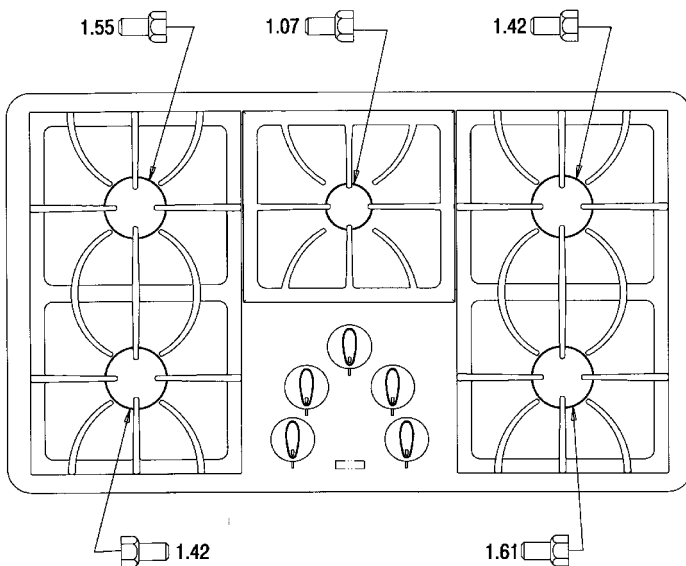


FIGURE 14

4 BURNER MODEL (30" WIDE)

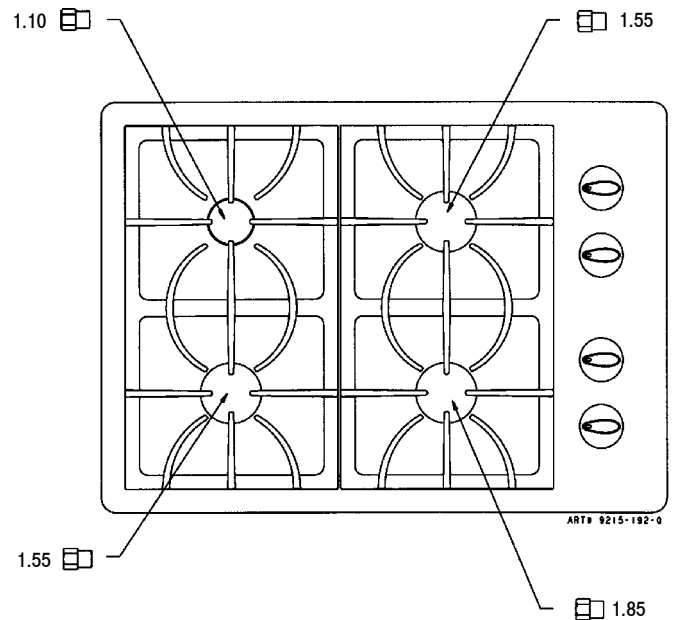


FIGURE 15

4. Complete Steps 5, 6 and 7 on page 8 to complete the installation of natural gas main spuds in their correct locations.
5. Save the orifices removed from the appliance for future use. They will be needed if this appliance is again converted for use with LP gas.

B. INVERT CAP IN APPLIANCE PRESSURE REGULATOR. (See figure 11).

With the appliance installed the appliance regulator should be located as shown in either figure 3, 4 or 5 (pages 4, 5 & 6). Identify the type of appliance regulator and follow the instructions in the appropriate illustration.

C. RESET THE VALVES FOR NATURAL GAS

1. Light one burner, and set on low.
2. Remove the knob.
3. Remove the rubber grommets.
4. Locate the valve adjustment screw. See figure 12.
5. Insert a slender, thin-blade screwdriver into knob hole and engage blade with slot in adjusting screw.
6. Starting from the LP position (see #5 on page 9, under C. LOW FLAME ADJUSTMENT), turn the screw counter clockwise until the flame stabilizes and matches the pictured "low" setting on figure 13. Proper adjustment will produce a stable, steady blue flame of minimum size. The final adjustment should be checked by turning the knob from high to low several times without extinguishing the flame.

After Steps A, B and C have been completed, check the appearance of each burner's flame at the Hi and Lo settings against figure 13. If the flames appear too large or too small, make sure all steps were completed correctly.

Burner Performance

CAUTION: Never cover control knobs or surrounding control surface with utensils, towels, or other objects. Never obstruct free air passage past the control knobs. The knob openings have been sized to properly control air entry to the interior of the appliance during operation.

This appliance has no air shutters. Primary air adjustments are unnecessary. The burners are designed to provide optimum aeration for all gases without air

shutters. When operating properly, burners should produce clearly defined, even blue flames. If the flames have yellow tips or are hazy and otherwise appear to have insufficient air, obtain the services of a qualified service technician. Some yellow tipping on LP gas is normal.

Specified input rates are as shown in figures 16 and 17 below.

5 BURNER MODEL (36" Wide)

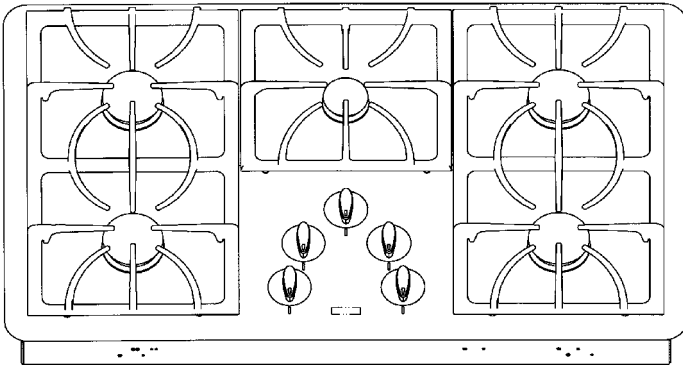


FIGURE 16

4 BURNER MODEL (30" Wide)

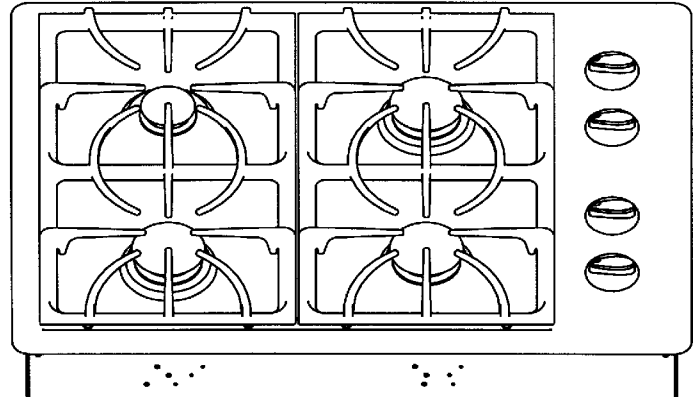


FIGURE 17

MAYTAG 36"

INPUT RATES - NATURAL GAS / LP GAS (BTU/HR)		
BURNER LOCATION	Hi	Lo
Right Front	12,500 / 10,500	1300 / 1300
Right Rear	9,200 / 9,100	1300 / 1300
Left Front	9,200 / 9,100	1300 / 1300
Left Rear	10,500 / 9,100	1300 / 1300
Center	5,000 / 4,000	650 / 650

MAYTAG 30"

INPUT RATES - NATURAL GAS / LP GAS (BTU/HR)		
BURNER LOCATION	Hi	Lo
Right Front	12,500 / 10,500	1300 / 1300
Right Rear	9,200 / 9,100	1300 / 1300
Left Front	9,200 / 9,100	1300 / 1300
Left Rear	5000 / 4000	650 / 650
Center	-----	-----

Holding Unit Down To Countertop

IMPORTANT

To hold the cooktop to the counter top, two hold down brackets have been provided. Utilize the hold-down brackets, one on the left and one on the right side of unit to secure the unit to the counter top. Additional hold-down brackets may be added to the front and/or rear. Contact your dealer or authorized service agency.

Position the cooktop in the cutout opening.

Open cabinet doors and locate screw holes at right and left side of unit bottom. Holes are half way between front and rear of unit and approximately 1 1/4" from each side.

Thread the long hold-down screws into the hold-down brackets.

Tighten hold-down screws to snug the unit top down against the counter top. See figures 18 and 19. **Do not overtighten.**

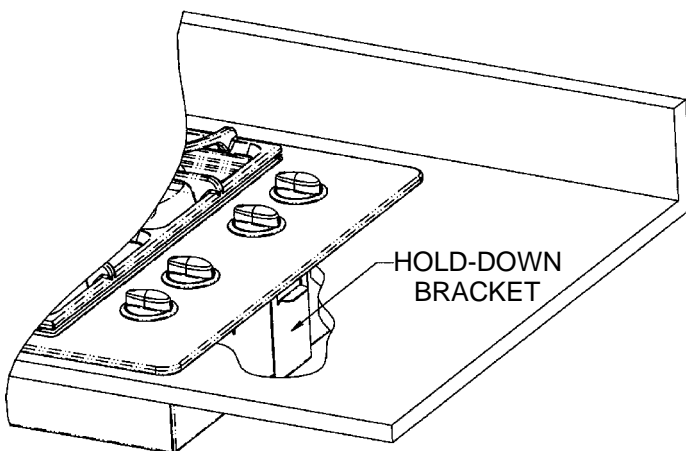


FIGURE 18

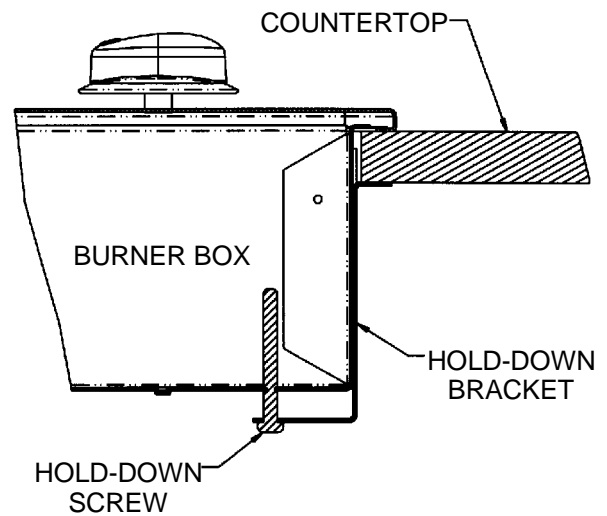


FIGURE 19

How To Remove Cooktop For Servicing

Follow this procedure to remove the cooktop for servicing:

1. Shut off gas supply to the cooktop.
2. Disconnect electrical supply to appliance, if equipped.
3. Disconnect gas supply tubing to appliance.
4. Remove hold down brackets. (See figure 19).
5. Reverse the procedure to reinstall. If gas line has been disconnected, check for gas leaks after reconnection.

NOTE: A qualified servicer should disconnect and reconnect the gas supply.

The servicer **MUST** follow installation instructions provided with the gas appliance connector and the warning label attached to the connector.

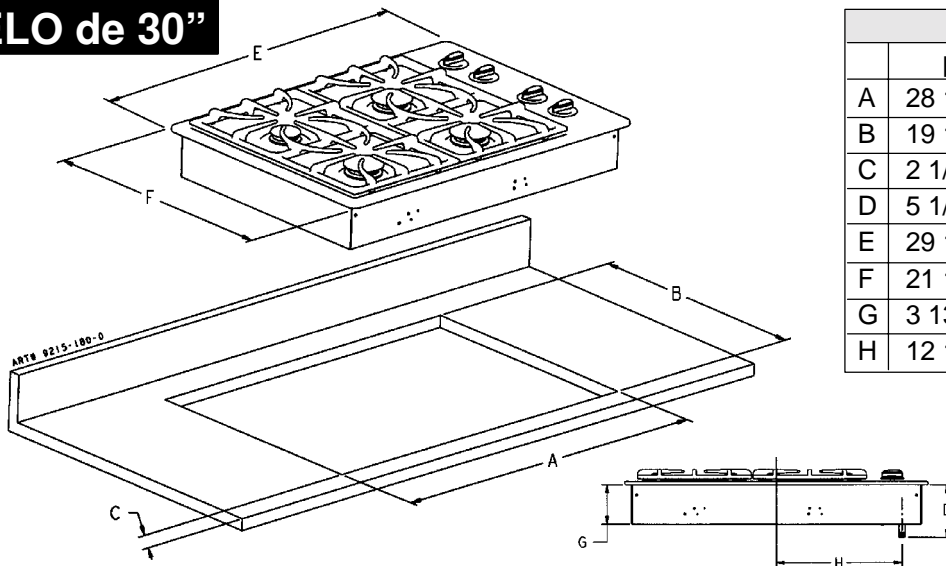
Service-Parts Information

When your cooktop requires service or replacement parts, contact your dealer or authorized service agency. Please give the complete model and serial numbers of the unit located on the cooktop model number plate.

IMPORTANTE: Las dimensiones aparecen en pulgadas y centímetros.

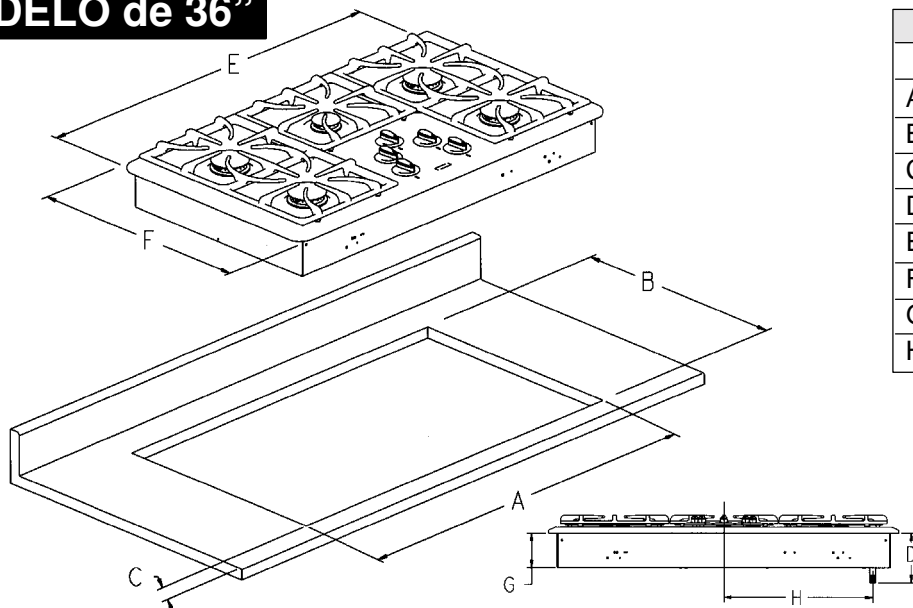
IMPORTANTE: Asegúrese de que el electrodoméstico que se instalará esté equipado con el gas que se surtirá. Consulte la placa de datos que se encuentra en la parte inferior de la caja del quemador para obtener esa información. No trate de convertir este electrodoméstico para usar otro tipo de gas que el que se especifica.

MODELO de 30"



	DIMENSIONES	
	pulgadas	cm
A	28 1/2 ± 1/16	72,4 ± 0,2
B	19 15/16 ± 1/16	50,6 ± 0,2
C	2 1/8 ± 1/16	5,4 ± 0,2
D	5 1/4 ± 1/16	13,3 ± 0,2
E	29 1/2 ± 1/16	74,9 ± 0,2
F	21 1/2 ± 1/16	54,6 ± 0,2
G	3 13/16 ± 1/16	9,7 ± 0,2
H	12 1/4 ± 1/16	31,1 ± 0,2

MODELO de 36"



	DIMENSIONES	
	pulgadas	cm
A	34 1/2 ± 1/16	87,6 ± 0,2
B	19 15/16 ± 1/16	50,6 ± 0,2
C	2 1/8 ± 1/16	5,4 ± 0,2
D	5 1/4 ± 1/16	13,3 ± 0,2
E	36 ± 1/16	91,4 ± 0,2
F	21 ± 1/16	53,3 ± 0,2
G	3 13/16 ± 1/16	9,7 ± 0,2
H	15 1/4 ± 1/16	38,7 ± 0,2

IMPORTANTE

**LAS DIMENSIONES DE
CORTE DEL HUECO
SON MUY
IMPORTANTES**



ADVERTENCIA ESPECIAL:

LA INSTALACIÓN, EL AJUSTE, LA ALTERACIÓN, EL SERVICIO, EL MANTENIMIENTO O EL USO INCORRECTOS DE LA ESTUFA PUEDEN CAUSAR LESIONES GRAVES O DAÑOS MATERIALES.

AVISO AL INSTALADOR: Deje estas instrucciones con el electrodoméstico.

AVISO AL CONSUMIDOR: Conserve estas instrucciones para consultarlas en el futuro.

Ubicación de su electrodoméstico Maytag

Coloque este electrodoméstico alejado de materiales combustibles como cortinas de ventanas y decoraciones de pared.

El espacio libre horizontal mínimo entre el borde del electrodoméstico y la construcción combustible que se extiende de la superficie para cocinar a 18" (45,72 cm) por encima de la superficie para cocinar es:

- 1,0" (2,54 cm) por detrás
- 6" (15,24 cm) a los lados

(Las dimensiones corresponden tanto a los modelos de 30" como a los de 36" de ancho.)

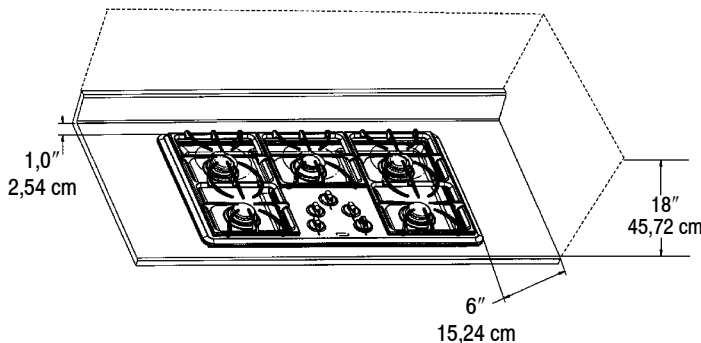


FIGURA 1

Preparación de la superficie para cocinar

El recorte de la superficie para cocinar debe prepararse de acuerdo con la ilustración de la página 1 de estas instrucciones.

PRECAUCIÓN: Las dimensiones del corte son muy importantes. Las dimensiones deben medirse y cortarse con precisión a $\pm 1/16"$ (0,159 cm) para garantizar un ajuste correcto.

Sugerencias importantes de preparación

1. Alise todos los bordes expuestos del laminado decorativo para evitar que se quiebren.
2. **Redondee las esquinas del recorte y límelas para evitar que se estrellen. Se recomienda una broca de 1/4" o 3/8" de diámetro en cada esquina.**
3. Los bordes burdos, las esquinas interiores que no se han redondeado y los ajustes forzados pueden contribuir a que se resquebraje el laminado del mostrador.
4. El mostrador debe estar apoyado a menos de 3" (7,62 cm) del recorte.

Instalación de gabinetes por encima de la superficie para cocinar Maytag

A = 30" (76,2 cm) de espacio libre vertical mínimo entre la superficie para cocinar y la construcción que está por encima del electrodoméstico. Este espacio puede reducirse a no menos de 24 pulgadas (60,96 cm) si se protege el lado inferior del material combustible o del gabinete de metal que está por encima de la superficie para cocinar con cuando menos 1/4 pulgadas (0,635 cm) de un aislante de partículas de madera con una hoja metálica de cuando menos 0,0122 pulgadas de espesor.

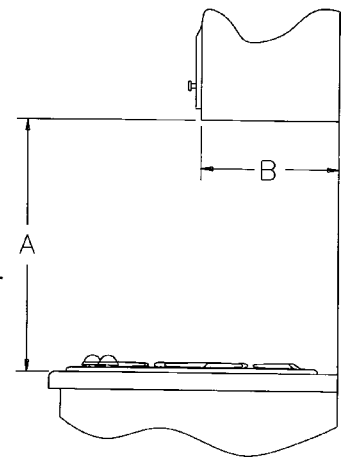


FIGURA 2

B = 13" (33,02 cm) de profundidad máxima de los gabinetes instalados por encima de la superficie para cocinar.

Evite usar los gabinetes que están por encima de la superficie para cocinar para almacenar artículos a fin de eliminar los riesgos potenciales al atravesarse por encima de la llama para alcanzar algo.

Ajustes necesarios al momento de la instalación

La instalación de este electrodoméstico debe estar en conformidad con los códigos locales, o si no existieran los mismos, con la última edición del Código Nacional de Gas Combustible ANSI Z223.1 USA o el CÓDIGO DE INSTALACIÓN actual CAN/CGA-B149.

- Este electrodoméstico se fabricó para usarse con gas natural. Si se elige usar gas LP, siga los procedimientos de conversión LP que se encuentran en las instrucciones de instalación.
- Revise todas las conexiones externas para detectar fugas de gas. Nunca realice pruebas de fugas de gas con una llama encendida.
- Revise todas las conexiones eléctricas.

Revise la placa de datos de la superficie para cocinar para ver si esta última está aprobada para instalarse en casas móviles y/o en remolques de recreación. La placa de datos se encuentra localizada en la parte inferior de la unidad.

Si está aprobada, se aplicarán las siguientes estipulaciones:

Casas móviles

La instalación de una estufa diseñada para instalarse en casas móviles debe estar en conformidad con las Normas de Construcción y Seguridad de casas móviles, Título 24 CFR, Parte 3280 [anteriormente conocida como Normas Federales para la Construcción y Seguridad de Casas Móviles, Título 24 HUD, (Parte 280)] o bien, cuando no corresponden dichas normas, con las Normas para instalaciones de casas prefabricadas, ANSI A225.1/NFPA 501A, o con los códigos locales.

En Canadá la estufa debe instalarse de acuerdo con las Normas actuales CSA C22.1 —Código eléctrico canadiense Parte 1 y la Sección Z240.4.1 —Requisitos de instalación para electrodomésticos de gas combustible en casas móviles (CSA Standard CAN/CSA - Z240MH).

Remolques de recreación

La instalación de una estufa diseñada para remolques de recreación debe estar en conformidad con los códigos estatales y demás o, en la ausencia de dichos códigos, con la última edición de las Normas para remolques de recreación, ANSI A119.5.

En Canadá la estufa debe instalarse de acuerdo con la norma CAN/CSA - Z240.6.2 —Requisitos eléctricos para vehículos de recreación (CSA Standard CAN/CSA - Z240 RV Series) y la Sección Z240.4.2 —Requisitos de instalación para electrodomésticos y equipo de gas propano en vehículos de recreación (CSA Standard CAN/CSA - Z240 RV Series).

Instalación del electrodoméstico

La instalación de este electrodoméstico debe estar en conformidad con los códigos locales o, en la ausencia de códigos locales, con el Código nacional de gas combustible, ANSI Z223.1 - última edición, o bien, en Canadá, Código de instalación CAN/CGA-B149, última edición.

Este electrodoméstico, cuando se instala, debe estar conectado a tierra eléctricamente de acuerdo con los códigos locales o, en la ausencia de códigos locales, con el Código nacional eléctrico ANSI/NFPA No. 70-última edición, o, en Canadá, con las Normas actuales CSA C22.1 Código eléctrico canadiense, Parte 1.

En la Commonwealth de Massachusetts

Este producto debe instalarse por un plomero o un instalador de gas certificado cuando está instalado dentro de la Commonwealth de Massachusetts.

Debe instalarse en el electrodoméstico una válvula de gas tipo "T" manual en la tubería del suministro de gas.

Cuando se utiliza un conector flexible de gas, no debe exceder una longitud de tres (3) pies o 36 pulgadas (91,4 cm).

Toda la tubería de suministro, excepto cuando se indica, debe ser de tipo común de rosca NPT (National Pipe Thread). Use en todas las conexiones de tubería un compuesto aprobado para uniones de tubería que sea resistente a la acción del gas LP.

PRECAUCIÓN: La garantía queda anulada en el equipo Maytag que se instale de manera diferente a la que recomienda el fabricante.

Este electrodoméstico está diseñado para usarse con el regulador de presión de gas que se incluye con el mismo. Debe instalarse en la tubería de gas, antes de la entrada del múltiple de gas. Está previamente ajustado para usarse con gas natural y debe convertirse, según se describe en las páginas 8 y 9, para poder usarse con gas LP. (Vea las figuras 7 –12).

Este electrodoméstico está diseñado para funcionar a una presión de 5 pulgadas de columna de agua (en los modelos de 36"), con 4 pulgadas de columna de agua (en los modelos de 30") con gas natural, o bien, si se convierte para usarse con gas LP (propano o butano), con 10 pulgadas de columna de agua. Asegúrese de que este electrodoméstico tenga y esté ajustado para usar el tipo de gas para el cual se diseñó.

Este electrodoméstico se ajustó de fábrica para usarse con gas natural. Si, en algún momento, se usará este aparato con otro tipo de gas, un técnico calificado deberá hacer todos los ajustes de conversión que se describen en las páginas 8 y 9 antes de tratar de operar la superficie para cocinar con ese gas. El gas natural deberá surtirse al regulador de presión a una presión de tubería de entre 6 y 14 pulgadas de columna de agua, o si se convierte a gas LP, a una presión de entre 11 y 14 pulgadas.

ADVERTENCIA

Si la presión de tubería suministrada al regulador de presión excede las 14 pulgadas de columna de agua (en cualquier gas), deberá instalarse un regulador externo en la tubería de gas antes del regulador de presión para reducir la presión a no más de 14 pulgadas de columna de agua. No hacerlo podría causar el mal funcionamiento y daños al electrodoméstico.

Asegúrese de que este electrodoméstico esté ajustado para el tipo de gas suministrado y que la presión del suministro de gas al regulador está dentro de la tasa de presión adecuada.

- Si no se instalará ningún otro electrodoméstico en los gabinetes debajo de esta unidad, proceda según se indica bajo el párrafo 1 de la página 4.
- Si esta unidad se instalará sobre un horno eléctrico de pared Maytag de la serie MEW6500 o MEW5500 proceda según se indica en el párrafo 2 de la página 5.

NOTA: En Canadá, los códigos de utilización de gas prohíben el uso de codos de hembra y macho. Use codos de tubería estándar y haga las modificaciones necesarias a estas instrucciones.

Conexión del electrodoméstico al suministro de gas

LA CONEXIÓN DEL SUMINISTRO DE GAS DEBE REALIZARLA UN TÉCNICO CALIFICADO O UN INSTALADOR DE ELECTRODOMÉSTICOS DE GAS. Las pruebas de fugas de gas debe realizarlas el instalador de acuerdo con las instrucciones provistas.

La tubería de suministro de gas DEBE estar en conformidad con todos los códigos de construcción locales, municipales y estatales, y con los reglamentos de servicios públicos locales.

1. SI NO SE INSTALARÁ UN ELECTRODOMÉSTICO DEBAJO DE ESTA SUPERFICIE PARA COCINAR

Una el regulador de presión que se adjunta con este electrodoméstico a la rosca de entrada del múltiple de gas. El regulador está marcado con una flecha direccional que indica la dirección correcta del flujo de gas. Asegúrese de que el regulador esté instalado con la flecha apuntando hacia la entrada del múltiple de gas. Apriete el regulador a una torsión de 20 a 30 pies-lbs.

IMPORTANTE

Nunca lo apriete a una torsión mayor de 35 pies-lbs. Siempre use un compuesto aprobado para uniones que sea resistente a la acción del gas LP.

Instale el electrodoméstico en el recorte del mostrador.

Haga la conexión de gas a la entrada del regulador de presión con roscas macho de tubería NPT de 1/2".

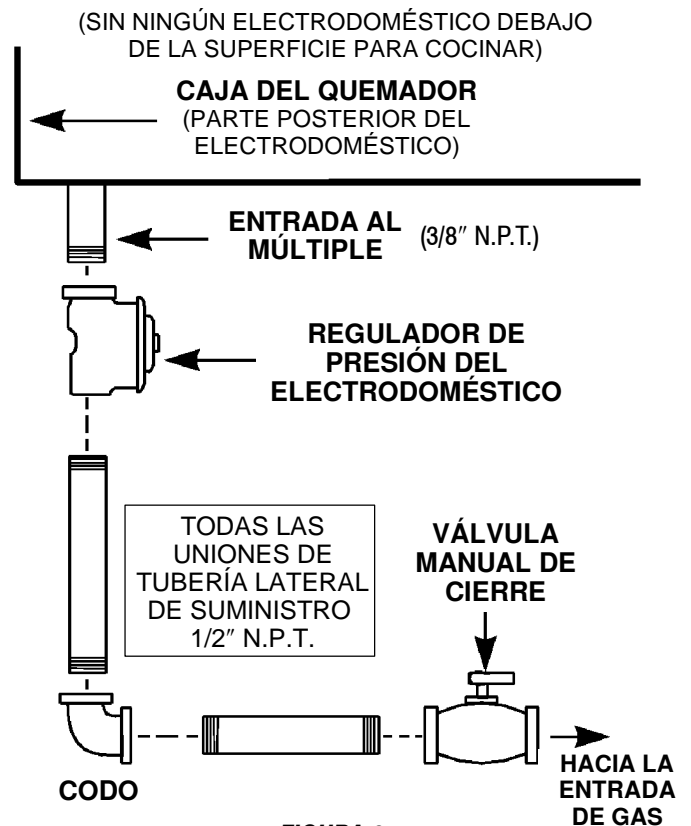
Instale una válvula de cierre manual en un lugar accesible en la tubería de gas antes del regulador de presión y en el exterior de este electrodoméstico con el fin de abrir o cerrar el gas al electrodoméstico.

Haga las conexiones adicionales de la tubería que sean necesarias antes de la válvula de cierre a la fuente de suministro de gas. Asegúrese de que todas las conexiones de uniones de la tubería estén firmemente ajustadas.

IMPORTANTE

Aplique un líquido de detección de fugas que sea anticorrosivo en todas las uniones y los accesorios de la conexión de gas entre la válvula de cierre de la tubería de suministro y la superficie para cocinar. Incluya los accesorios de gas y las uniones de la superficie para cocinar si se alteraron las conexiones durante la instalación. Revise si hay fugas. Si aparecen burbujas alrededor de los accesorios y las conexiones querrá decir que hay fugas. Si ocurre esto, cierre la válvula de cierre de la tubería de suministro de gas, apriete las conexiones, abra la válvula de cierre de la tubería de gas, y vuelva a comprobar si hay fugas. Nunca haga pruebas de fugas de gas utilizando una llama encendida.

ILUSTRACIÓN DE LA TUBERÍA DE SUMINISTRO DE GAS



2. SI SE INSTALARÁ UN HORNO ELÉCTRICO DE PARED MAYTAG DE LA SERIE MEW6500 O MEW5500 DEBAJO DE ESTA SUPERFICIE PARA COCINAR.

NOTA 1: Deberá instalarse este electrodoméstico y sus fuentes de suministro de gas y eléctrico antes de instalar el horno de pared. Vea la ilustración (Información de alambrado eléctrico —en la página 7, figura 6) para encontrar las ubicaciones recomendadas del suministro eléctrico.

NOTA 2: Podría ser necesario tener que extender la tubería de suministro de gas de este electrodoméstico a los gabinetes inferiores adyacentes cuando se vaya a instalar un horno de pared debajo del electrodoméstico.

Una un codo de tubería NPT de 3/8" (disponible localmente) a las roscas macho de la entrada del múltiple. Una vez unidas, asegúrese de que las roscas abiertas del codo estén orientadas hacia el lado derecho del electrodoméstico. Instale el electrodoméstico en el hueco del mostrador.

Una un niple de tubería NPT de 3/8" al codo usando una sección de tubería lo suficientemente larga para que se extienda, horizontalmente, más lejos del lado derecho del horno de pared. (Para hacer esto, podría ser necesario tener que extender la sección de la tubería hasta adentro del gabinete adyacente.) Una los codos adicionales de tubería NPT de 3/8" y los niples de la tubería, según sea necesario para lograr lo siguiente:

Una la salida del regulador de presión del electrodoméstico que se suministra con este electrodoméstico a las roscas macho de la tubería de suministro de gas recién instalada. Instale el regulador de presión en un lugar que sea accesible a un lado o por debajo del horno de pared. Asegúrese de que el regulador de presión esté instalado con la flecha de dirección apuntando en la dirección del flujo del gas. Apriete el regulador a una torsión de 20 a 30 pies-lbs.

IMPORTANTE

Nunca lo apriete a más de 35 pies-lbs de torsión. Siempre use un compuesto para juntas de tubería que esté aprobado y que sea resistente a la acción del gas LP.

Coloque y fije una válvula manual de cierre en un lugar accesible en la tubería de gas antes de llegar al regulador del electrodoméstico y por fuera del mismo para fines de cierre y apagado del gas al electrodoméstico.

Haga las conexiones adicionales de tubería según sean necesarias antes de la válvula de cierre a la fuente de suministro de gas. Asegúrese de que todas las conexiones de unión de la tubería estén firmemente ajustadas.

IMPORTANTE

Aplique un líquido de detección de fugas que sea anticorrosivo en todas las uniones y los accesorios de la conexión de gas entre la válvula de cierre del suministro de gas y la superficie para cocinar. Incluya los accesorios y las uniones de gas en la superficie para cocinar si se alteraron las conexiones durante la instalación. ¡Revise si existen fugas! Si se forman burbujas alrededor de los accesorios y las uniones querrá decir que hay fugas. Si ocurre esto, cierre la válvula de cierre de la tubería de suministro de gas, apriete todas las conexiones, abra la válvula de nuevo y vuelva a revisar si hay fugas. Nunca realice pruebas de fuga de gas con una llama encendida.

ILUSTRACIÓN DE LA TUBERÍA DE SUMINISTRO DE GAS

(HORNO DE PARED INSTALADO DEBAJO DE UNA SUPERFICIE PARA COCINAR DE 30")

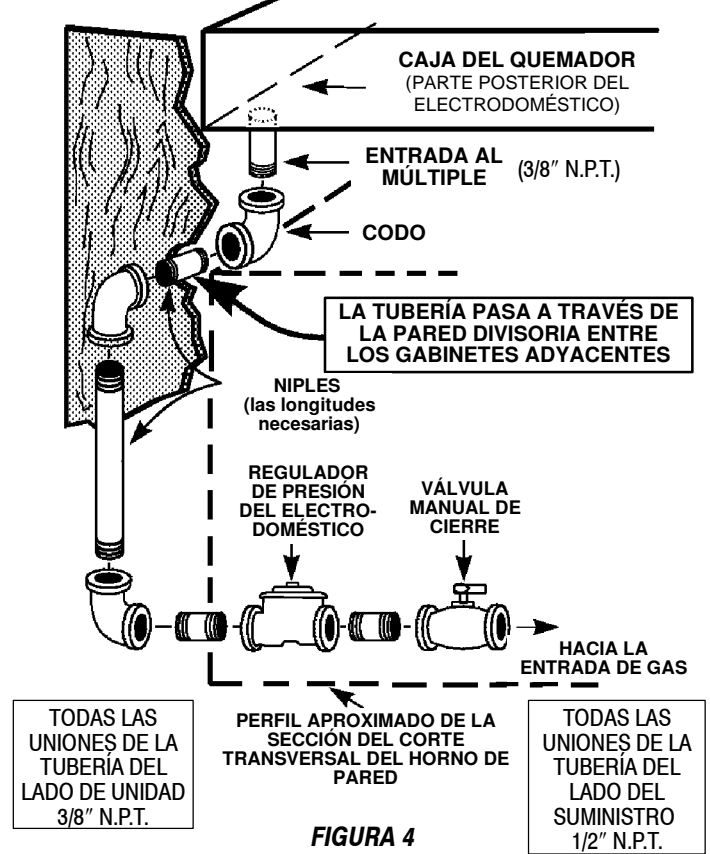


FIGURA 4

Nota, en referencia a la Figura 4, anterior:

- Para hacer más conveniente el servicio debe incluirse una unión (no se muestra: está disponible localmente) en la tubería que se ilustra en la figura 4, en la ubicación más práctica para la instalación. Por lo general, una ubicación práctica es el gabinete que se encuentra debajo de este electrodoméstico, cerca de la entrada del múltiple, en lugar de usar el gabinete adyacente.
- Si se selecciona el método alternativo de tubería que se muestra en la figura 5 para la instalación, no se requerirá unión. (El conector flexible del electrodoméstico ilustrado proporciona las uniones necesarias para darle servicio.) Cuando se tiene una pared divisoria y se usa un conector flexible se recomienda que para mayor comodidad, tanto en la instalación como en el servicio, el conector flexible, en sí, se pase a través de la pared divisora. **El conector flexible que se use con este electrodoméstico debe cumplir con todos los requisitos establecidos en el texto que acompaña a la figura 5.**

Métodos alternativos de tubería para conectar el electrodoméstico al suministro de gas

UN TÉCNICO CAPACITADO O UN INSTALADOR DE ELECTRODOMÉSTICOS DEBE REALIZAR LA CONEXIÓN DEL SUMINISTRO DE GAS. El instalador debe realizar las pruebas de fugas del electrodoméstico de acuerdo con las instrucciones provistas.

A menos que lo prohíban los códigos o reglamentos locales, puede usarse un conector metálico flexible A.G.A. nuevo y certificado para conectar este electrodoméstico al suministro de gas. El conector no debe ser más largo de 5 pies. Como en la figura 5, use el adaptador de unión de expansión adecuado en cada extremo del conector flexible. Si se usa un conector flexible asegúrese de que tanto el regulador de presión como la válvula de cierre manual están firmemente unidas a otra tubería rígida permanente (ya sea el suministro de gas o el múltiple del electrodoméstico) para que esté fijo físicamente. Vea las ilustraciones a continuación.

PRECAUCIÓN: No trate de sujetar un conector flexible directamente en la rosca externa de la tubería. Las conexiones requieren adaptadores de unión de expansión.

IMPORTANTE

Aplique un líquido para la detección de fugas, que sea anticorrosivo, en todas las uniones y los accesorios de la conexión de gas entre la válvula de cierre de la tubería de suministro y la estufa. Incluya todos los accesorios y las uniones de gas de la estufa si se alteraron las conexiones durante la instalación. Revise si hay fugas. Si aparecen burbujas alrededor de los accesorios y las conexiones significará que hay fugas. Si esto sucede, cierre la válvula de cierre de la tubería de gas, apriete las conexiones, abra la válvula de cierre de la tubería de gas y vuelva a revisar las fugas. Nunca revise las fugas de gas con una llama encendida.

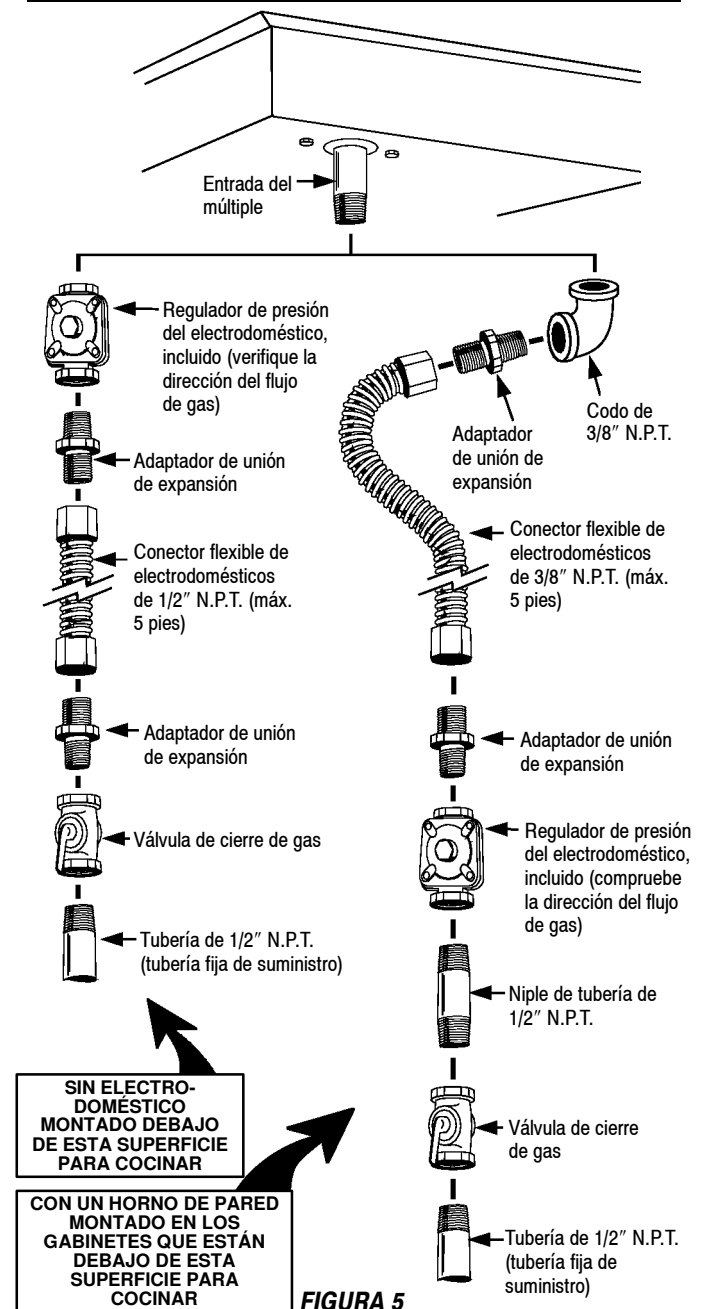
Pruebas de presión

El electrodoméstico debe aislarse del sistema de la tubería de suministro de gas cerrando la válvula de cierre manual independiente durante las pruebas de presión del sistema de la tubería de suministro de gas a presiones de prueba iguales o menores a 1/2 libras por pulgada cuadrada (3,5 kPa).

Este electrodoméstico, al igual que la válvula de cierre independiente, deben estar desconectadas del sistema de la tubería de suministro de gas durante las pruebas de presión del sistema a presiones por encima de 1/2 libras por pulgada cuadrada (3,5 kPa).

Cuando revise la función del regulador del electrodoméstico, asegúrese de que la presión del suministro de gas natural está entre 6 y 14 pulgadas de columna de agua, o si se convirtió a gas LP, entre 11 y 14 pulgadas de columna de agua.

ILUSTRACIÓN DE LA TUBERÍA ALTERNATIVA



Información de alambrado eléctrico

Este electrodoméstico está equipado con un cordón eléctrico con conexión a tierra. Debe proporcionarse un tomacorriente conectado a tierra. Se recomienda, por comodidad, que el tomacorriente se encuentre (con referencia a la figura 6) como en el punto A o el B que aparecen a continuación:

- A. Si no se instalará otro electrodoméstico debajo de éste, deberá colocarse dentro del área sombreada o el área cuadrículada que se muestra en la figura 6.
- B. Si se instalará un horno eléctrico de la serie MEW6500 o MEW5500 debajo de este electrodoméstico:
 1. debe colocarse dentro del área cuadrículada de la figura 6, o bien
 2. dentro del gabinete adyacente.

Si se instalará un horno de pared debajo de este electrodoméstico y el tomacorriente de las unidades del mostrador se montará dentro del área cuadrículada de la figura 6:

1. El panel delantero inferior del gabinete, debajo del horno, debe poder quitarse para tener acceso al tomacorriente.
2. Debe proporcionarse un orificio para el cordón eléctrico (se recomienda de 1-1/4" (3,18 cm) de diámetro) a través de la repisa del piso del horno y si fuera necesario, a través de las tablillas que apoyan la repisa. El orificio debe estar ubicado tan cerca como sea posible a la parte posterior de la repisa.

Si el tomacorriente está montado en el gabinete adyacente a la derecha o a la izquierda, deberá proporcionarse un orificio como el descrito anteriormente en la pared divisoria entre los gabinetes. La figura 4 de la página 5, ilustra una pared divisoria típica (lado

izquierdo). El orificio (que no se muestra en la figura 4) puede ubicarse según sea conveniente en esta pared izquierda o en la pared derecha correspondiente.

Al planear cualquier instalación, observe que la longitud libre del cordón eléctrico de este electrodoméstico, extendiéndose más allá de 3-3/4" (9,53 cm) a la izquierda del centro nominal de la pared posterior de la caja del quemador, al verse de frente la unidad, es aproximadamente de 46" (117 cm).

El usuario puede experimentar la desconexión ocasional del circuito si está en uso el interruptor accionado por corriente de pérdida a tierra del circuito (GFCI).



ADVERTENCIA

Instrucciones eléctricas de conexión a tierra

Este electrodoméstico está equipado con una clavija de conexión a tierra (de tres puntas) para ofrecerle protección contra descargas eléctricas y debe conectarse directamente en un receptáculo conectado a tierra. No corte ni quite la punta de conexión a tierra de esta clavija.



ADVERTENCIA

ESTE ELECTRODOMÉSTICO DEBE ESTAR DESCONECTADO DEL SUMINISTRO ELÉCTRICO DEL RECEPTÁCULO DE LA PARED ANTES DE DARLE SERVICIO.

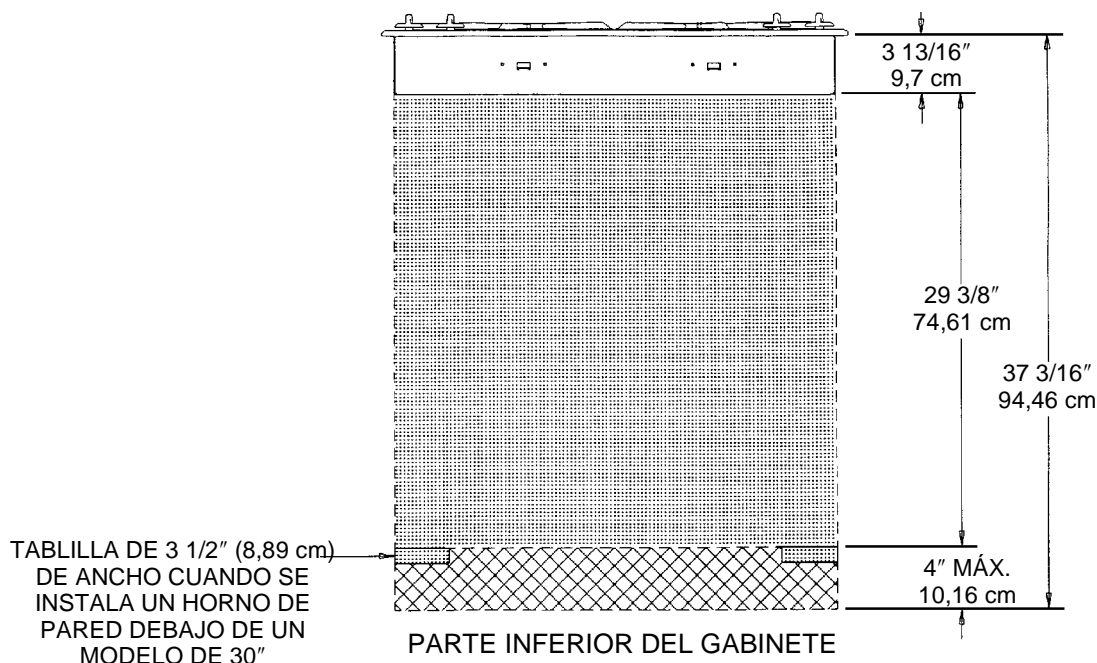


FIGURA 6

Conversión del electrodoméstico para usarse con gas LP

ADVERTENCIA

La conversión a gas propano debe realizarla un TÉCNICO AUTORIZADO DE MAYTAG (u otra agencia calificada) de acuerdo con las instrucciones del fabricante y con todos los códigos y requisitos de las autoridades correspondientes. El no seguir las instrucciones podría causar lesiones graves y daños materiales. La agencia calificada que realice el trabajo asume toda la responsabilidad por dicha conversión.

ADVERTENCIA

La energía eléctrica debe estar desconectada y la llave del gas debe estar cerrada antes de realizar la conversión.

Este electrodoméstico está ajustado de fábrica para usarse con gas natural. Para convertirlo a gas LP (propano o butano), deben realizarse cada una de las siguientes modificaciones: (A, B y C)

A. REEMPLACE TODAS LAS COPAS DE ORIFICIO

Paso 1: Quite las parrillas y las tapas de los quemadores.

Paso 2: Retire la base del quemador quitando 2 tornillos. (Vea la figura 7).

Paso 3: Oprima con firmeza un destornillador de tuercas de 9/32" (ó 7mm) sobre la copa de orificio (figuras 7 y 8) y afloje la copa girándola en sentido contrario al de las manecillas del reloj. Levante con cuidado el destornillador fuera del cuello del quemador. La copa de orificio deberá estar atrapada en el destornillador. Repita los pasos 2 y 3 en cada quemador.

PARA QUITAR LA COPA DE ORIFICIO

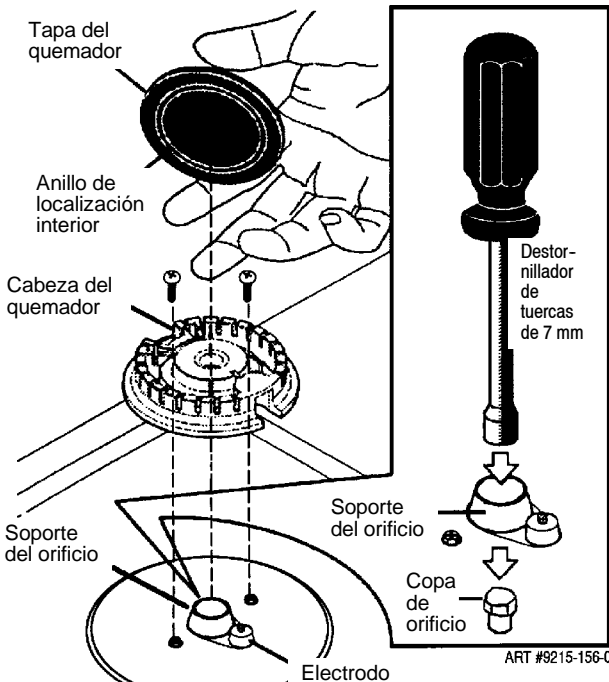


FIGURA 7

FIGURA 8

Instalación de la copa de orificio LP

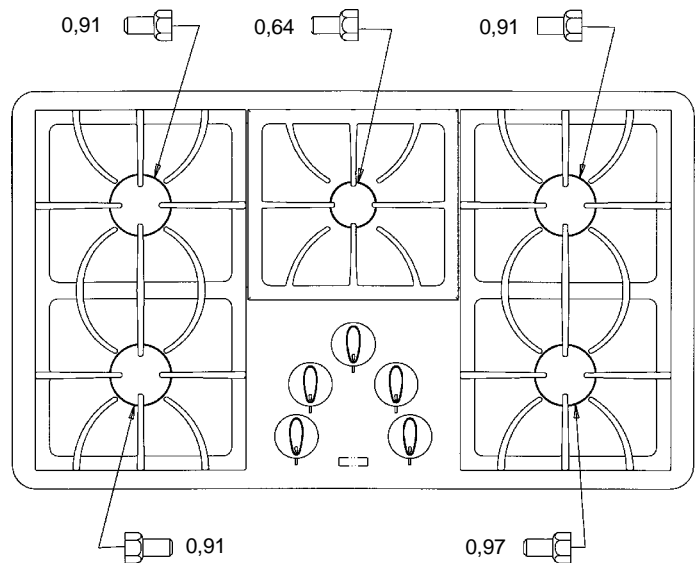


FIGURA 9

Paso 4: Encuentre el paquete de las copas de orificio LP que se incluye en el paquete de materiales impresos. Las copas tienen pequeños números estampados en un lado. Estos números codifican el diámetro y la ubicación correcta del quemador. Las Figuras 9 y 10 muestran la ubicación correcta de las copas de orificio LP.

Paso 5: Instale cuidadosamente la copa de orificio en el cuello del quemador correspondiente girándola en sentido de las manecillas del reloj para apretarla. Apriete a una torsión de 15 a 20 pulgadas-lbs.

Paso 6: Coloque de nuevo la base del quemador, la tapa y las parrillas. Apriete los tornillos (no los barra) a 25-30 pulgadas-lbs.

Paso 7: Conserve los orificios que quitó del electrodoméstico para usarlos después.

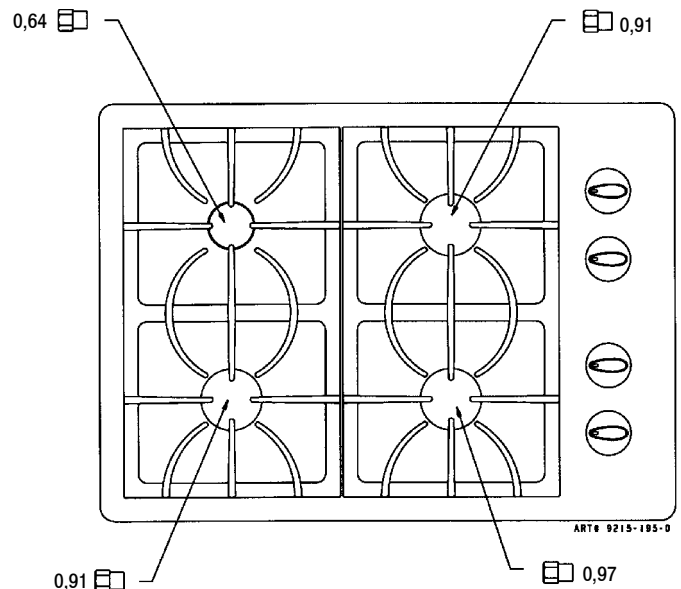


FIGURA 10

B. INVERSIÓN DE LA TAPA DEL REGULADOR DE PRESIÓN DE PRESIÓN (Vea la figura 11)

Una vez que se instala el electrodoméstico, debe ubicarse el regulador según se indica en la figura 3, 4 ó 5.

CONVERSIÓN DEL REGULADOR DE PRESIÓN

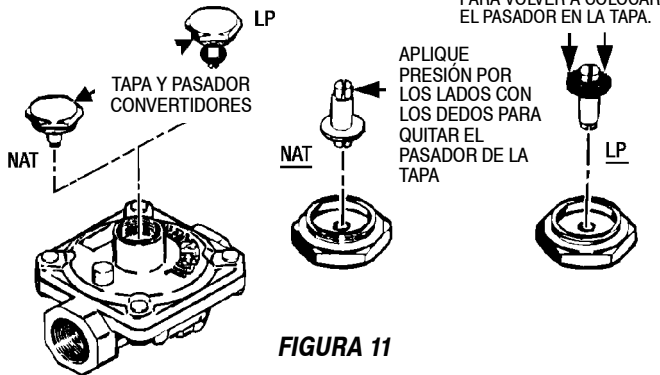


FIGURA 11

C. AJUSTE DE LA LLAMA BAJA (Vea la figura 12)

Este electrodoméstico se embarca de fábrica con ajustes de llama alta y baja listos para usarse con gas natural. Si desea ajustarlos para usarse con gas LP siga las instrucciones a continuación:

1. Quite la perilla de control del vástago de la válvula.

PRECAUCIÓN: NUNCA USE UNA HOJA DE METAL PARA QUITAR LA PERILLA. SI ÉSTA NO PUEDE SACARSE CON FACILIDAD, INSERTE LOS BORDES DE UNA TOALLA POR DEBAJO DE LA PERILLA Y TIRE DE LA TOALLA HACIA ARRIBA CON PRESIÓN UNIFORME Y CONSTANTE.

2. Quite con cuidado la arandela protectora de goma.
3. Encuentre el tornillo de ajuste de la válvula. Vea la figura 12.
4. Inserte un destornillador de hoja delgada y angosta dentro del orificio de la perilla y coloque el destornillador en la ranura del tornillo de ajuste.
5. Gire el tornillo de ajuste en el sentido de las manecillas del reloj hasta que esté bien ajustado (5-7 pulgadas-lbs máx.). No lo apriete demasiado.
6. Coloque de nuevo la arandela protectora de goma y la perilla de control.
7. Repita en los quemadores restantes.

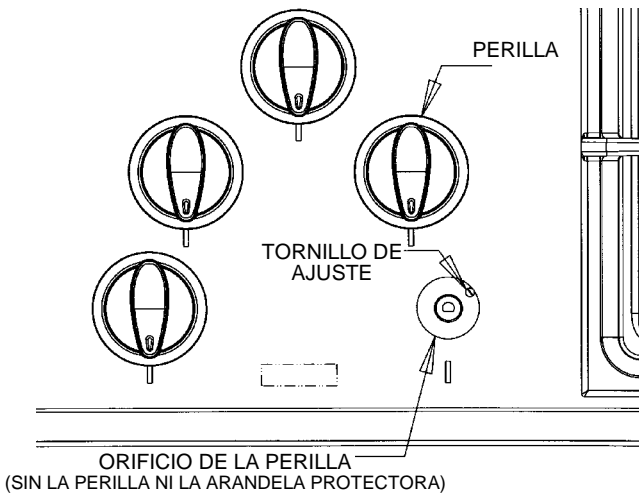


FIGURA 12

Después de ajustar el tornillo el quemador debe producir una llama azul estable, constante del tamaño mínimo. Debe revisarse el ajuste girando la perilla de alto a bajo varias veces sin apagar la llama.

Esta operación automáticamente proporcionará el tamaño de llama adecuado en el ajuste medio.

Después de terminar los pasos A, B y C de conversión, revise la apariencia de la llama de cada quemador en los ajustes HI y LO contra los de la figura 13. Si las llamas parecen estar demasiado grandes o pequeñas, revise cada paso para asegurar que se realizaron correctamente.

APARIENCIA DE LA LLAMA ALTA (HI) Y BAJA (LO)

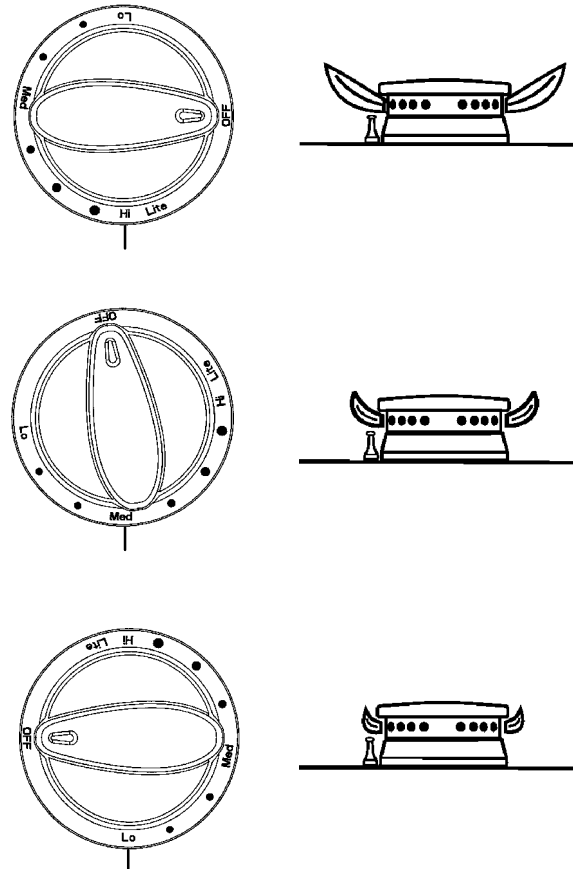


FIGURA 13

Para convertir el electrodoméstico para usarse con gas natural

⚠ ADVERTENCIA

La energía eléctrica debe estar desconectada y la llave del gas debe estar cerrada antes de realizar la conversión.

Si este electrodoméstico se convirtió para usarse con gas LP, deberán realizarse cada una de las siguientes modificaciones para volver a convertir la unidad para usarse con gas natural.

A. REEMPLACE TODAS LAS COPAS DE ORIFICIO.

1. Realice los pasos 1 y 2 de la página 8.
2. Realice el paso 3 de la página 8.
3. Para el paso 4: Encuentre las copas de orificio de gas natural de cobre que estaban instaladas originalmente en el electrodoméstico antes de convertirlo para uso de gas LP. Vea el número de cada una de las copas y fíjese cuál es la ubicación correcta del quemador para cada copa según se muestra en las figuras 14 y 15.

Instalación de las copas de orificio de gas natural

MODELO DE 5 QUEMADORES (DE 36" DE ANCHO)

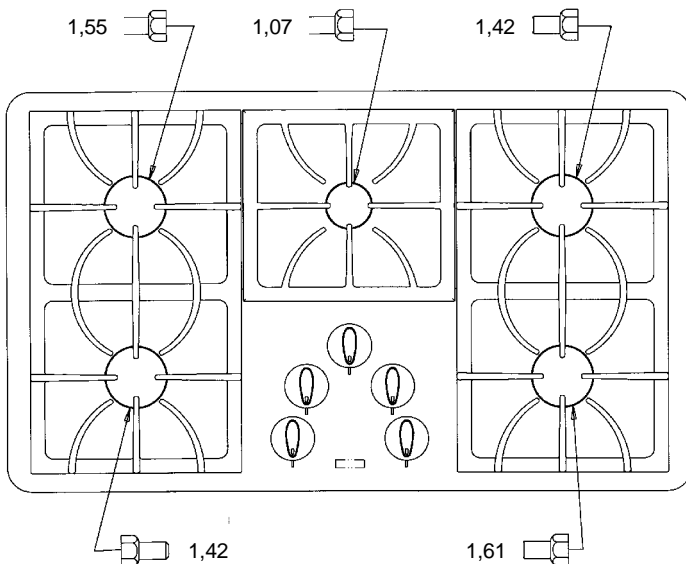


FIGURA 14

MODELO DE 4 QUEMADORES (DE 30" DE ANCHO)

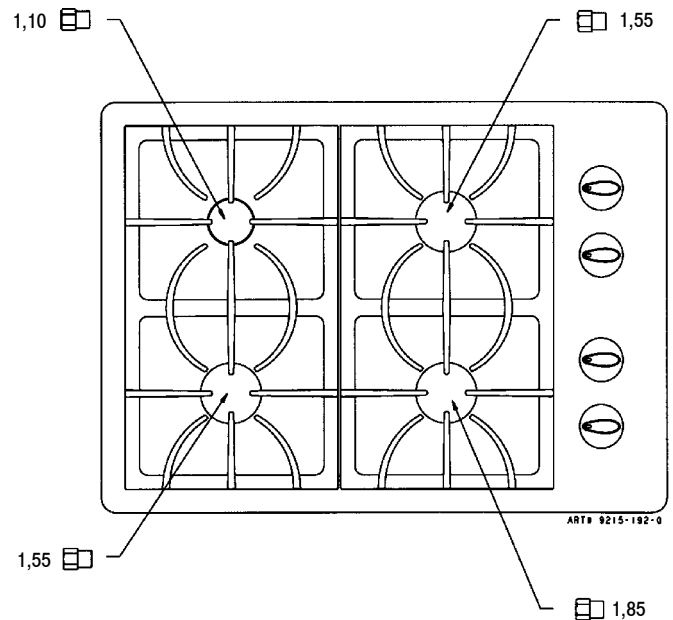


FIGURA 15

4. Realice los pasos 5, 6 y 7 de la página 8 para terminar la instalación de las copas principales de gas natural en sus lugares correctos.
5. Conserve los orificios que quitó del electrodoméstico para uso futuro. Se necesitarán si este aparato se convierte de nuevo para usarse con gas LP.

B. INVIERTA LA TAPA DEL REGULADOR DE PRESIÓN. (Vea la figura 11).

Después de instalar el electrodoméstico, el regulador debe estar ubicado según se indica en la figura 3, 4 ó 5 (de las páginas 4, 5 y 6). Identifique el tipo de regulador y siga las instrucciones en la ilustración correspondiente.

C. REAJUSTE LAS VÁLVULAS PARA GAS NATURAL

1. Encienda un quemador, y colóquelo en low (bajo).
2. Quite la perilla.
3. Quite las arandelas protectoras de goma.
4. Encuentre el tornillo de ajuste de la válvula. Vea la figura 12.
5. Inserte un destornillador de hoja delgada y angosta en el orificio de la perilla y coloque la hoja en la ranura del tornillo de ajuste.
6. Comenzando en la posición LP (vea el núm. 5 de la página 9, bajo C, AJUSTE DE LA LLAMA BAJA), gire el tornillo en contra del sentido de las manecillas del reloj hasta que la llama se estabilice y se vea igual a la del dibujo del ajuste "low" de la figura 13. El ajuste correcto producirá una llama azul regular y uniforme de tamaño mínimo. El ajuste final debe revisarse girando la perilla de alto a bajo varias veces sin apagar la llama.

Después de realizar los pasos A, B y C, revise la apariencia de la llama de cada quemador en el ajuste Hi y Lo contra la figura 13. Si las llamas parecen estar demasiado grandes o pequeñas, asegúrese de que todos los pasos se siguieron correctamente.

Desempeño de los quemadores

PRECAUCIÓN: Nunca cubra las perillas de control ni la superficie de control cercana con utensilios, toallas ni otros objetos. Nunca obstruya el paso libre del aire más allá de las perillas de control. Los orificios de las perillas se han ajustado para controlar correctamente la entrada del aire al interior del electrodoméstico durante el funcionamiento.

Este electrodoméstico no tiene obturadores de aire. No son necesarios los ajustes primarios de aire. Los

quemadores están diseñados para proporcionar la ventilación óptima a todos los tipos de gas sin obturadores. Cuando funcionan correctamente, los quemadores deben producir llamas azules, claramente definidas. Si la llama tiene la punta amarilla o está borrosa y por otra parte parece no tener suficiente aire, consiga los servicios de un técnico calificado. Algunas puntas amarillas del gas LP son normales.

Las clasificaciones de entrada específicas se muestran en las figuras 16 y 17 a continuación.

MODELO DE 5 QUEMADORES (DE 36" de ancho)

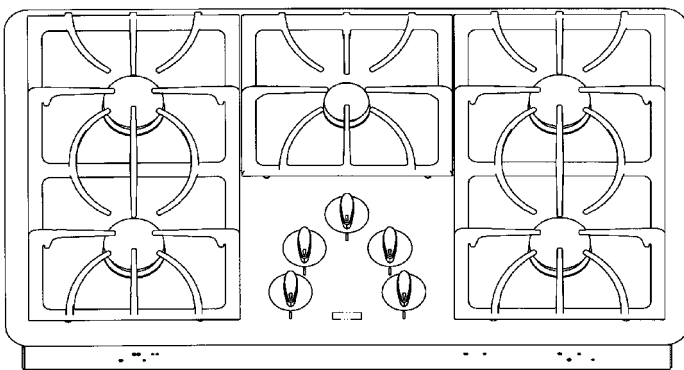
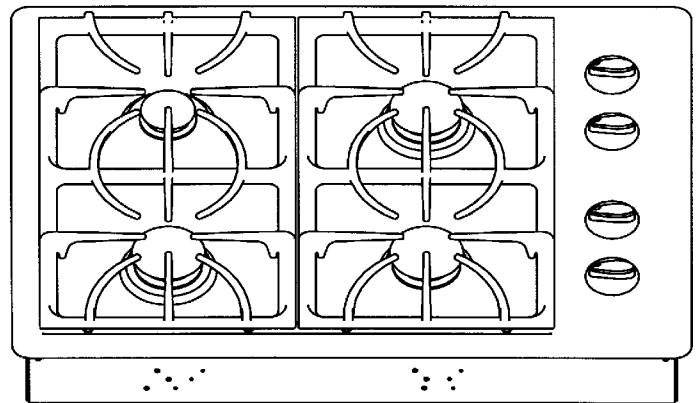


FIGURA 16

MODELO DE 4 QUEMADORES (DE 30" de ancho)



ART#9215-201-0

FIGURA 17

MAYTAG 36"

CLASIFICACIÓN DE ENTRADA – GAS NATURAL / GAS LP (BTU/HR)		
UBICACIÓN DEL QUEMADOR	Hi	Lo
Delantero derecho	12 500 / 10 500	1 300 / 1 300
Posterior derecho	9 200 / 9 100	1 300 / 1 300
Delantero izquierdo	9 200 / 9 100	1 300 / 1 300
Posterior izquierdo	10 500 / 9 100	1 300 / 1 300
Centro	5 000 / 4 000	650 / 650

MAYTAG 30"

CLASIFICACIÓN DE ENTRADA – GAS NATURAL / GAS LP (BTU/HR)		
UBICACIÓN DEL QUEMADOR	Hi	Lo
Delantero derecho	12 500 / 10 500	1 300 / 1 300
Posterior derecho	9 200 / 9 100	1 300 / 1 300
Delantero izquierdo	9 200 / 9 100	1 300 / 1 300
Posterior izquierdo	5 000 / 4 000	650 / 650
Centro	-----	-----

Para sujetar la unidad al mostrador

IMPORTANTE

Se han incluido dos soportes para sujetar la superficie para cocinar al mostrador. Utilice los soportes de sujeción, uno a la izquierda y otro a la derecha de la unidad para asegurarla al mostrador. Pueden añadirse soportes de sujeción al frente y en la parte posterior. Comuníquese con el proveedor o con la agencia autorizada de servicio.

Coloque la superficie en el hueco del recorte.

Abra las puertas del gabinete y localice los orificios de los tornillos al lado derecho e izquierdo de la parte inferior de la unidad. Los orificios están a la mitad entre la parte delantera y posterior de la unidad y aproximadamente a 1 1/4" de cada lado.

Enrosque los tornillos de sujeción largos en los soportes de sujeción.

Apriete los tornillos de sujeción para colocar la unidad contra el mostrador. Vea la figuras 18 y 19. **No los apriete demasiado.**

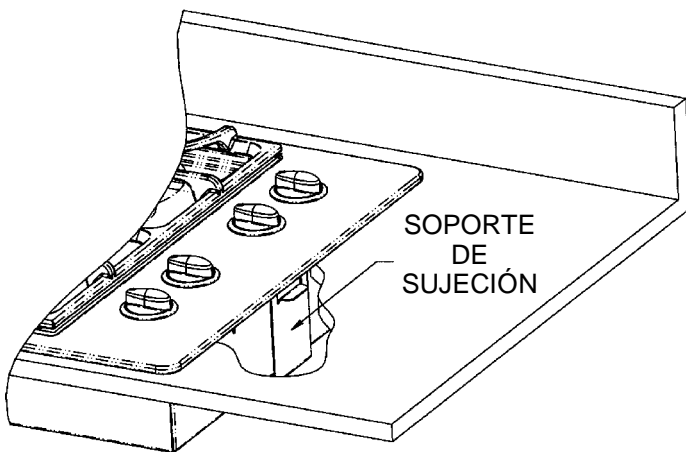


FIGURA 18

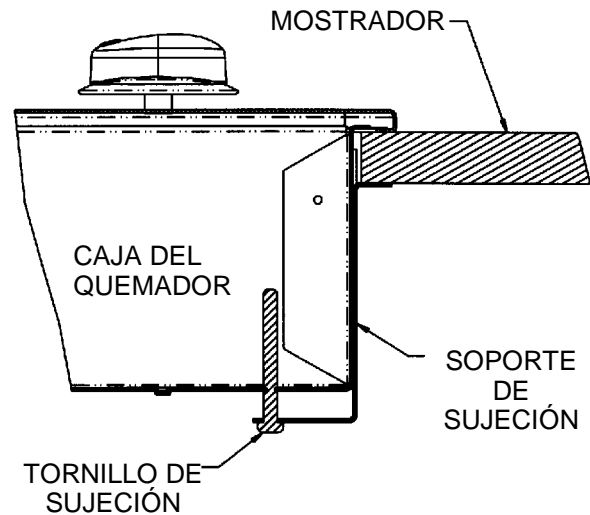


FIGURA 19

Cómo quitar la superficie para cocinar para darle servicio

Siga este procedimiento para quitar la superficie para cocinar para darle servicio:

1. Cierre el suministro de gas a la superficie para cocinar.
2. Si corresponde, desconecte la energía eléctrica al electrodoméstico.
3. Desconecte la tubería del suministro de gas al electrodoméstico.
4. Quite los soportes de sujeción. (Vea la figura 19.)
5. Invierta el procedimiento para volver a instalarlos. Si se desconectó la tubería de gas, revise si tiene fugas de gas después de reconectarla.

NOTA: El suministro de gas debe desconectarlo y volver a conectarlo un técnico calificado de servicio.

El técnico **DEBE** seguir las instrucciones de instalación provistas con el conector del electrodoméstico de gas y la etiqueta de advertencia sujeta al conector.

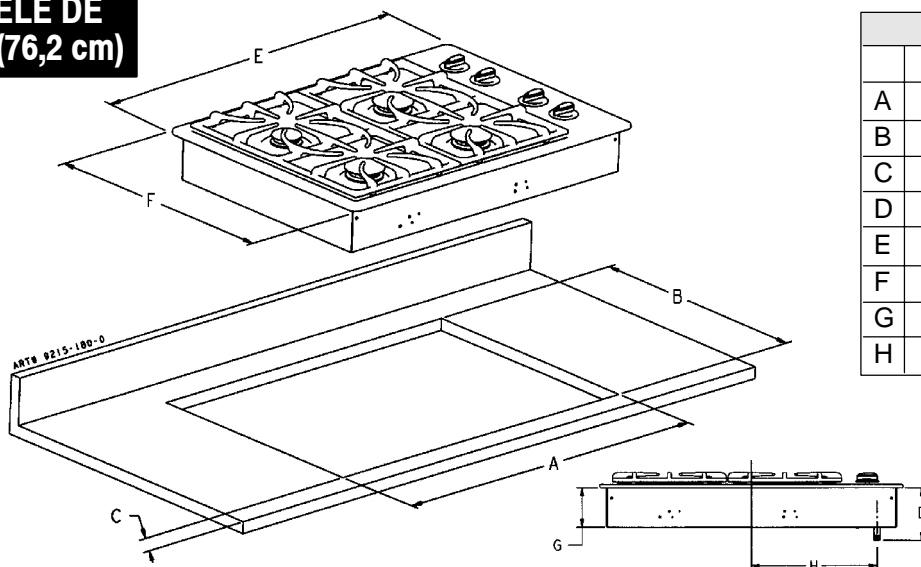
Información de las piezas de servicio

Cuando la superficie para cocinar requiera servicio o piezas de repuesto, comuníquese con el proveedor o la agencia autorizada de servicio. Proporcione los números completos de modelo y serie de la unidad que se encuentran localizados en la placa de datos de la superficie para cocinar.

IMPORTANT : Dimensions montrées en pouces et en centimètres

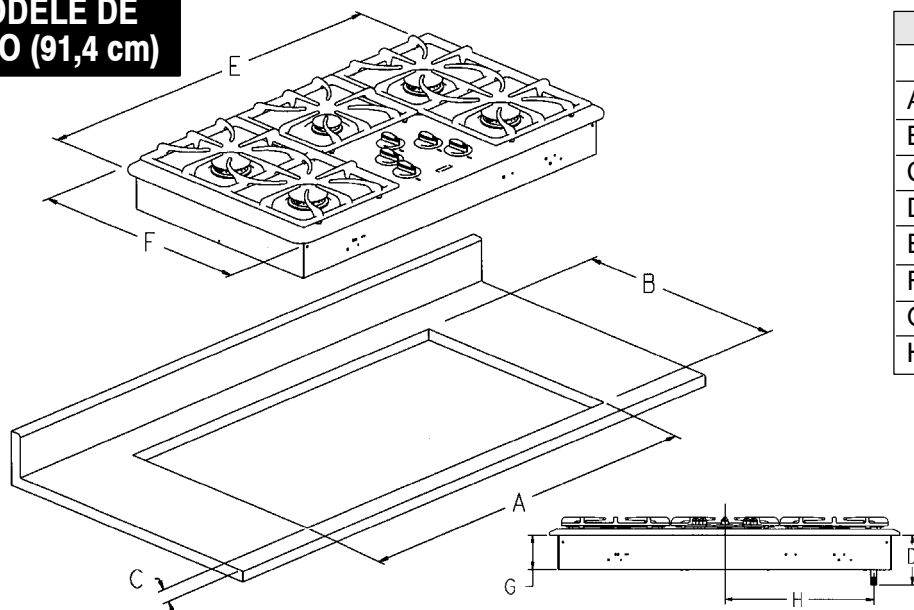
IMPORTANT : S'assurer que l'appareil correspond au type de gaz fourni. Ces renseignements se trouvent sur la plaque signalétique, sous la boîte des brûleurs. Ne pas convertir cet appareil à un type de gaz autre que celui spécifié.

**MODÈLE DE
30 PO (76,2 cm)**



DIMENSIONS			
	pouces		cm
A	28 1/2	± 1/16	72,4 ± 0,2
B	19 15/16	± 1/16	50,6 ± 0,2
C	2 1/8	± 1/16	5,4 ± 0,2
D	5 1/4	± 1/16	13,3 ± 0,2
E	29 1/2	± 1/16	74,9 ± 0,2
F	21 1/2	± 1/16	54,6 ± 0,2
G	3 13/16	± 1/16	9,7 ± 0,2
H	12 1/4	± 1/16	31,1 ± 0,2

**MODÈLE DE
36 PO (91,4 cm)**



DIMENSIONS			
	pouces		cm
A	34 1/2	± 1/16	87,6 ± 0,2
B	19 15/16	± 1/16	50,6 ± 0,2
C	2 1/8	± 1/16	5,4 ± 0,2
D	5 1/4	± 1/16	13,3 ± 0,2
E	36	± 1/16	91,4 ± 0,2
F	21	± 1/16	53,3 ± 0,2
G	3 13/16	± 1/16	9,7 ± 0,2
H	15 1/4	± 1/16	38,7 ± 0,2

IMPORTANT

**L'EXACTITUDE DES
DIMENSIONS DE LA
DÉCOUPE EST
ESSENTIELLE**



AVERTISSEMENT SPÉCIAL :

UNE MAUVAISE RÉALISATION DE LA MISE EN PLACE, DU RÉGLAGE, DE TOUTES MODIFICATIONS OU RÉPARATIONS OU DE L'ENTRETIEN DE LA CUISINIÈRE OU SON USAGE INCORRECT PEUVENT ENTRAÎNER DES BLESSURES OU DES DÉGÂTS GRAVES.

À L'INTENTION DE L'INSTALLATEUR : Veuillez laisser ces instructions avec l'appareil.

À L'INTENTION DU CONSOMMATEUR : Veuillez conserver ces instructions pour référence ultérieure.

Emplacement de votre appareil ménager Maytag

Cet appareil doit être à un emplacement à distance sûre de tous matériaux combustibles tels que rideaux de fenêtres et décorations murales susceptibles de prendre feu.

Le dégagement horizontal minimum entre le bord de l'appareil et des structures susceptibles de prendre feu montant jusqu'à une hauteur de 18 po (45,7 cm) au-dessus de la surface de cuisson est le suivant :

1,0 po (2,54 cm) à l'arrière
6 po (15,2 cm) sur les côtés

(Ces dimensions s'appliquent aux modèles de 30 po (76,2 cm) et 36 po (91,4 cm) de large.)

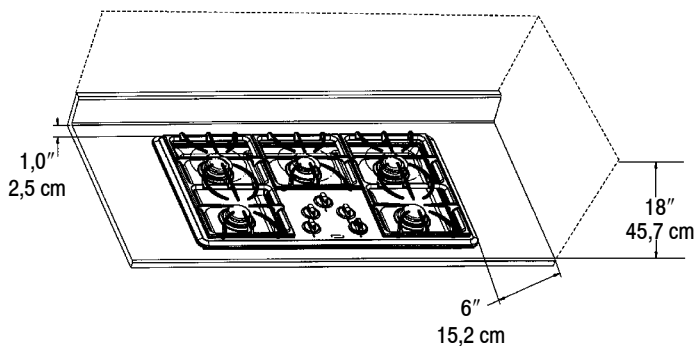


FIGURE 1

Préparation du comptoir

La découpe dans le comptoir doit être préparée tel que l'indique l'illustration de la page 1.

ATTENTION : L'exactitude des dimensions de l'ouverture est essentielle. Pour réaliser correctement la pose, les dimensions doivent être mesurées avec précision et la découpe effectuée à 1/16 po (2 mm) près.

Suggestions importantes pour la préparation

1. Arrondir les angles de tous les rebords du stratifié décoratif pour éviter qu'ils ne s'écaillent.
2. **Arrondir les coins de la découpe et les limer pour assurer des rebords lisses et éviter que les coins ne se fendillent. Il est recommandé de percer un trou de 1/4 ou 3/8 po (6 ou 9 mm) de diamètre dans chaque coin.**
3. Les rebords bruts et les coins intérieurs non arrondis, ainsi que les endroits où il faut forcer pour permettre la mise en place de la plaque de cuisson, peuvent contribuer au fendillement du dessus du comptoir en stratifié.
4. Le dessus du comptoir doit avoir un support à une distance maximum de 3 po (7,6 cm) des rebords de la découpe.

Pose d'armoires au-dessus de votre plaque de cuisson Maytag

A = 30 po (76,2 cm) minimum entre la plaque de cuisson et tout élément de construction se trouvant directement au-dessus de l'appareil. Ce dégagement peut être réduit à un minimum de 24 po (61 cm) si le dessous du matériau combustible ou de l'armoire métallique se trouvant au-dessus de la surface de cuisson est protégé avec du carton isolant d'un minimum de 1/4 po (6,3 mm) recouvert de tôle d'une épaisseur minimum de 0,0122 po (0,31 mm).

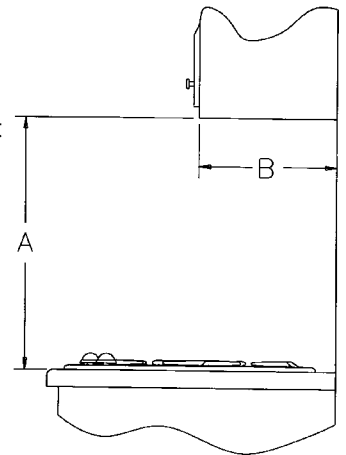


FIGURE 2

B = 13 po (33,0 cm) maximum de profondeur pour les armoires se trouvant au-dessus de la plaque de cuisson.

Éviter l'utilisation d'armoires de rangement au-dessus de la surface de cuisson pour éliminer les risques potentiels qui y sont liés, tels que se pencher au-dessus de flammes pour prendre un article dans l'armoire.

Réglages requis lors de la mise en service

La mise en service de cet appareil doit être conforme aux codes locaux ou, en l'absence de tels codes, avec la norme ANSI Z223.1, dernière édition, du National Fuel Gas Code américain ou du CODE DES INSTALLATIONS B149 CAN/ACG en vigueur.

- Cet appareil est conçu pour fonctionner au gaz naturel. S'il doit être utilisé avec du GPL, suivre la méthode de conversion au GPL qui se trouve dans les instructions de mise en service.
- Vérifier qu'il n'y a pas de fuite au niveau des raccords externes. Ne jamais vérifier l'absence de fuites à l'aide d'une flamme.
- Vérifier toutes les connexions électriques.

Vérifier sur la plaque signalétique de la plaque de cuisson si elle est homologuée pour la mise en service dans une maison mobile ou une roulotte de parc. La plaque signalétique se trouve au fond de l'appareil.

Si la plaque de cuisson est homologuée pour cet usage, les points suivants s'appliquent :

Maisons mobiles

La mise en service d'une cuisinière prévue pour les maisons mobiles doit être conforme aux normes « Manufactured Home Construction and Safety Standard », titre 24 CFR, partie 3280 (précédemment « Federal Standard for Mobile Home Construction and Safety », titre 24 HUD [partie 280]) ou, lorsque ces normes ne sont pas applicables, les normes « Standard for Manufactured Home Installations », ANSI A225.1/NFPA 501A, ou les codes de la construction locaux.

Au Canada, la mise en service de la cuisinière doit se faire conformément aux normes CSA C22.1 du code d'électricité canadien les plus récentes, partie 1 et section Z240-4.1 relative aux caractéristiques techniques exigées pour les appareils à gaz utilisés dans les maisons mobiles (norme CAN/CSA - Z240MH).

Roulottes de parc

La mise en service d'une cuisinière prévue pour les roulottes de parc doit être conforme aux codes provinciaux et autres codes ou, en leur absence, avec la dernière édition de la norme ANSI A119.5 relative aux roulottes de parc.

Au Canada, la mise en service de la cuisinière doit être réalisée conformément à la norme CAN/CSA - série Z240.6.2 relative aux caractéristiques exigées pour l'installation électrique dans les véhicules de plaisance (norme CAN/CSA - série Z240 RV) et à la section Z240.4.2 relative aux caractéristiques techniques exigées pour les appareils et le matériel fonctionnant au propane dans les véhicules de plaisance (norme CAN/CSA série Z240 RV).

Pose de l'appareil

La mise en service de cet appareil doit être conforme aux codes locaux ou, en l'absence de tels codes, à la norme ANSI Z223.1, dernière édition, du National Fuel Gas Code aux États-Unis ou avec le code de mise en service CAN/ACG- B149 en vigueur.

Une fois en place, l'appareil doit être relié à la terre conformément aux codes locaux ou, en l'absence de codes locaux, aux normes ANSI/NFPA n 70 de l'édition la plus récente du National Electrical Code ou, au Canada, aux normes CSA C22.1 du Code canadien de l'électricité, partie 1, en vigueur.

Dans le Commonwealth du Massachusetts

Ce produit doit être mis en service par un plombier ou un monteur d'installations au gaz détenteur d'une licence quand installé dans le Commonwealth du Massachusetts.

Un robinet d'arrêt de gaz manuel de type à poignée en "T" doit être posé sur la conduite de gaz de cet appareil.

Quand un raccord flexible de gaz est utilisé, il ne doit pas excéder une longueur de trois (3) pieds / 36 pouces (91,4 cm).

Sauf indication contraire, toutes les conduites d'alimentation doivent être de type courant NPT (National Pipe Thread). Utiliser une pâte à filetage résistant à l'action du gaz GPL sur les raccords.

ATTENTION : La garantie est nulle si les consignes de Maytag concernant la pose du matériel ne sont pas respectées.

L'appareil est conçu pour utiliser le détendeur fourni. Celui-ci doit être posé sur la conduite de gaz en amont de l'entrée du distributeur de gaz. Il est réglé pour le gaz naturel et doit être converti au gaz GPL, tel qu'indiqué aux pages 8 et 9, si ce type de gaz est utilisé (voir les figures 7 à 12).

Cet appareil est conçu pour fonctionner à une pression de 5 po de colonne d'eau (1,25 kPa) (modèles de 36 po [91,4 cm] ou 4 po de colonne d'eau (1 kPa) (modèles de 30 po [76,2 cm]) dans le cas de gaz naturel et à une pression de 10 po de colonne d'eau (2,5 kPa) dans le cas d'une conversion au GPL (propane ou butane). S'assurer que l'alimentation en gaz de l'appareil est bien du type pour lequel il est conçu et qu'il est réglé pour ce type de gaz.

Cet appareil est réglé sur le gaz naturel en usine. Si, à un moment quelconque, l'appareil doit utiliser un type de gaz différent, toutes les conversions indiquées aux pages 8 et 9 doivent impérativement être effectuées par un technicien de service après-vente qualifié avant de faire fonctionner l'appareil sur cet autre gaz. Le gaz naturel doit être amené au détendeur à une pression de 6 à 14 pouces de colonne d'eau (1,5 à 3,5 kPa) ; en cas de conversion au gaz GPL, la pression dans la conduite doit être de 11 à 14 pouces de colonne d'eau (2,5 à 2,75 kPa).

AVERTISSEMENT

Si la pression de l'alimentation en gaz au détendeur est supérieure à 14 po de colonne d'eau (3,5 kPa), quel que soit le gaz, un détendeur externe doit être posé sur la conduite de gaz en amont du détendeur de l'appareil afin de réduire la pression à 14 po de colonne d'eau maximum, sinon l'appareil ne fonctionnera pas correctement et pourra se trouver endommagé.

S'assurer que l'appareil est réglé pour le type de gaz utilisé et que la pression de l'alimentation au détendeur est dans la fourchette de pressions acceptable.

- Si aucun autre appareil ne doit être installé dans l'armoire au-dessous de cet appareil, suivre les indications du paragraphe 1, page 4.
- Si la plaque de cuisson est posée au-dessus d'un four encastré électrique Maytag modèle MEW6500 ou MEW5500, suivre les indications du paragraphe 2, page 5.

REMARQUE : Au Canada, le code d'utilisation du gaz interdit les coudes mâle-femelle. Utiliser un coude standard et modifier ces instructions en conséquence.

Raccordement de l'appareil à l'alimentation en gaz

LE RACCORDEMENT AU GAZ DOIT ÊTRE EFFECTUÉ PAR UN TECHNICIEN QUALIFIÉ OU PAR UN INSTALLATEUR D'APPAREILS À GAZ. La vérification de l'absence de fuites sera effectuée par l'installateur conformément aux directives fournies.

Les conduites de gaz DOIVENT être conformes à tous les codes du bâtiment locaux, municipaux et provinciaux, ainsi qu'aux règlements des services publics locaux.

1. SI AUCUN AUTRE APPAREIL NE DOIT ÊTRE POSÉ SOUS CETTE PLAQUE DE CUISSON

Raccorder le détendeur pour appareil fourni au filetage d'entrée du distributeur de gaz. Ce détendeur porte une flèche indiquant la direction du gaz. Veiller à poser le détendeur avec la flèche dirigée vers le distributeur de gaz. Serrer le détendeur à un couple de 20 à 30 pi-lb (27 à 40 N.m).

IMPORTANT

Ne jamais serrer à plus de 35 pi-lb (47 N.m). Toujours utiliser une pâte à filetage résistant à l'action du gaz GPL sur les raccords.

Poser l'appareil dans la découpe dans le comptoir.

Effectuer le raccordement à l'arrivée de gaz du détendeur de cet appareil avec une conduite mâle fileté de 1/2 po NPT.

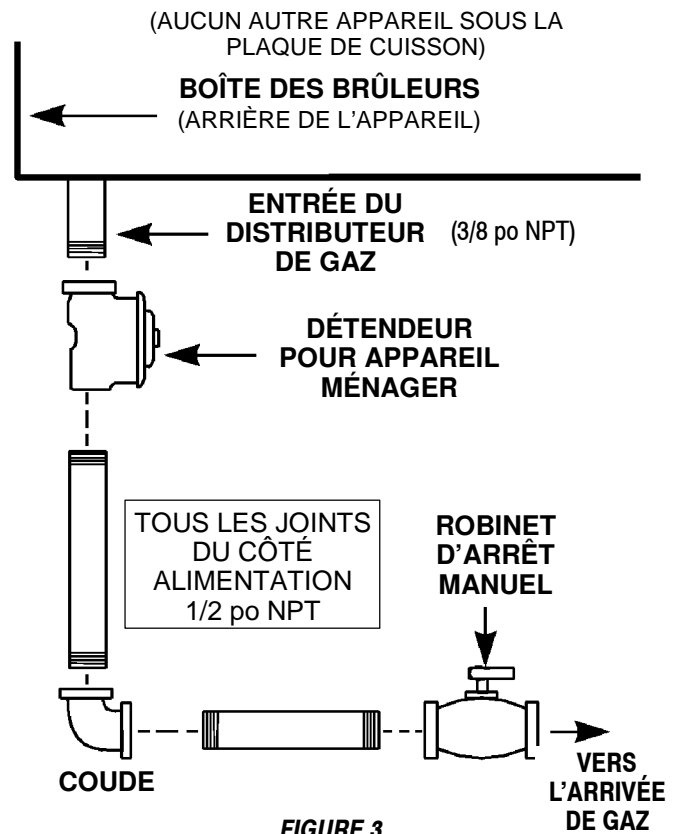
Poser un robinet d'arrêt dans un endroit accessible de la conduite de gaz en amont du détendeur et extérieure à l'appareil afin de pouvoir fermer ou ouvrir l'alimentation en gaz de l'appareil.

Effectuer toutes connexions de conduite supplémentaires en amont du robinet d'arrêt de l'alimentation en gaz. S'assurer que tous les raccords sont bien serrés.

IMPORTANT

Appliquer du liquide de détection de fuites non corrosif sur tous les joints et raccords entre le robinet de la conduite de gaz et la plaque de cuisson. Inclure les joints et raccords de l'appareil si ceux-ci ont pu se trouver desserrés pendant la mise en service. Vérifier les fuites ! Si des bulles apparaissent autour des joints et des raccords, il y a une fuite. En cas de fuite, fermer le robinet d'alimentation de gaz, serrer les raccords, puis ouvrir le robinet de gaz et revérifier s'il y a des fuites. Ne jamais vérifier l'absence de fuites à l'aide d'une flamme.

ILLUSTRATION D'UNE CONDUITE DE GAZ



2. SI CE MEUBLE DOIT AVOIR UN FOUR ÉLECTRIQUE ENCASTRÉ MAYTAG MODÈLE MEW6500 OU MEW5500 MONTÉ SOUS CETTE PLAQUE DE CUISSON.

REMARQUE 1 : La pose de cet appareil et son raccordement au gaz et à l'électricité doivent être effectués avant la pose du four. Voir les illustrations (Informations sur le câblage électrique, page 7, figure 6) pour l'emplacement recommandé pour le raccordement à l'alimentation électrique.

REMARQUE 2 : Avec un four encastré monté sous cet appareil, il pourra être nécessaire de prolonger la conduite de gaz pour la faire passer dans une armoire adjacente sous le comptoir.

Raccorder un coude de 3/8 po NPT (disponible localement) au filetage mâle de l'entrée du distributeur de gaz. Une fois le coude en place, s'assurer que le filetage ouvert du coude est bien orienté vers le côté droit de l'appareil. Poser l'appareil dans la découpe dans le comptoir.

Raccorder un mamelon de 3/8 po NPT au coude en utilisant une section de conduite de longueur suffisante pour qu'elle aille au-delà du côté droit du four encastré. (Pour cela, il faudra peut-être que la section de conduite dépasse dans l'armoire adjacente.) Raccorder un ou plusieurs coudes de 3/8 po ainsi que des mamelons, en fonction des besoins, pour :

Raccorder la sortie du détendeur fourni avec cet appareil au filetage mâle de la conduite qui vient d'être posée. Monter le détendeur dans un endroit où il sera accessible, soit à côté, soit au-dessous du four encastré. Veiller à poser le détendeur avec la flèche indiquant la direction du gaz pointée dans la direction de l'écoulement du gaz. Serrer le détendeur à un couple de 20 à 30 pi-lb (27 à 40 N.m).

IMPORTANT

Ne jamais serrer à plus de 35 pi-lb (47 N.m). Toujours utiliser une pâte à filetage résistant à l'action du gaz GPL sur les raccords.

Poser un robinet d'arrêt dans un endroit accessible de la conduite de gaz en amont du détendeur et extérieure à l'appareil afin de pouvoir fermer ou ouvrir l'alimentation en gaz de l'appareil.

Effectuer toutes connexions de conduite supplémentaires en amont du robinet d'arrêt de l'alimentation en gaz. S'assurer que tous les raccords sont bien serrés.

IMPORTANT

Appliquer du liquide de détection de fuites non corrosif sur tous les joints et raccords entre le robinet de la conduite de gaz et la plaque de cuisson. Inclure les joints et raccords de l'appareil si ceux-ci ont pu se trouver desserrés pendant la mise en service. Vérifier les fuites ! Si des bulles apparaissent autour des joints et des raccords, il y a une fuite. En cas de fuite, fermer le robinet d'alimentation de gaz, serrer les raccords, puis ouvrir le robinet de gaz et revérifier s'il y a des fuites. Ne jamais vérifier l'absence de fuites à l'aide d'une flamme.

ILLUSTRATION D'UNE CONDUITE DE GAZ

(FOUR MURAL MONTÉ SOUS LA PLAQUE DE CUISSON DE 30 PO [76,2 CM])

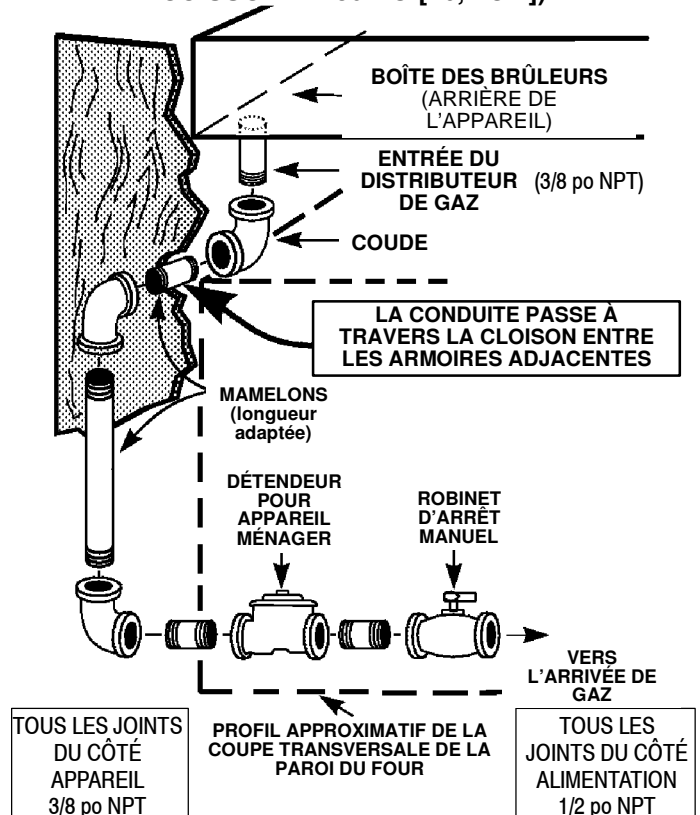


FIGURE 4

Remarque concernant la figure 4 ci-dessus :

- Pour plus de facilité à l'entretien, un raccord-union (non montré : disponible localement) doit être intégré à la conduite illustrée à la figure 4, à l'endroit le plus pratique pour la pose. En général, ce sera dans une armoire au-dessous de l'appareil, près de l'entrée du distributeur de gaz, plutôt que dans une armoire adjacente.
- Si la méthode alternative montrée à la figure 5 est sélectionnée, aucun raccord-union n'est nécessaire. (Le raccord flexible illustré offre les joints de raccord nécessaires pour permettre les interventions de service après-vente.) En cas de présence d'une cloison, si un raccord flexible est utilisé, il est recommandé, pour plus de commodité à la pose comme pour le service après-vente, que le raccord flexible traverse la cloison. **Tout raccord flexible utilisé avec cet appareil doit satisfaire aux conditions indiquées dans le texte qui accompagne la figure 5.**

Autres méthodes de raccordement de l'appareil à l'alimentation en gaz

LE RACCORDEMENT AU GAZ DOIT ÊTRE EFFECTUÉ PAR UN TECHNICIEN AYANT REÇU LA FORMATION APPROPRIÉE OU PAR UN INSTALLATEUR D'APPAREILS À GAZ. La vérification de l'absence de fuites sera effectuée par l'installateur conformément aux directives fournies.

Sauf si les codes et règlements locaux l'interdisent, un raccord flexible métallique neuf certifié A.G.A. peut être utilisé pour raccorder cet appareil à l'alimentation en gaz. Le raccord flexible ne doit pas faire plus de 5 pieds (1,52 m) de long. Tel qu'illustré à la figure 5, utiliser un adaptateur à raccord-union approprié à chaque extrémité du raccord flexible. Si un raccord flexible est utilisé, veiller à ce que le détendeur de l'appareil et le robinet d'arrêt soient raccordés solidement à une autre conduite rigide permanente (conduite de gaz ou distributeur de gaz de l'appareil) de façon à conserver une position fixe. Voir l'illustration ci-dessous.

ATTENTION : Ne pas raccorder le raccord flexible directement à un filetage de conduite extérieure. Il faut utiliser des adaptateurs à raccord-union.

IMPORTANT

Appliquer du liquide de détection de fuites non corrosif sur tous les joints et raccords entre le robinet de la conduite de gaz et l'appareil. Inclure les joints et raccords de l'appareil si ceux-ci ont pu se trouver desserrés pendant la mise en service. Vérifier les fuites ! Si des bulles apparaissent autour des joints et des raccords, il y a une fuite. En cas de fuite, fermer le robinet d'alimentation de gaz, serrer les raccords, puis ouvrir le robinet de gaz et revérifier s'il y a des fuites. Ne jamais vérifier l'absence de fuites à l'aide d'une flamme.

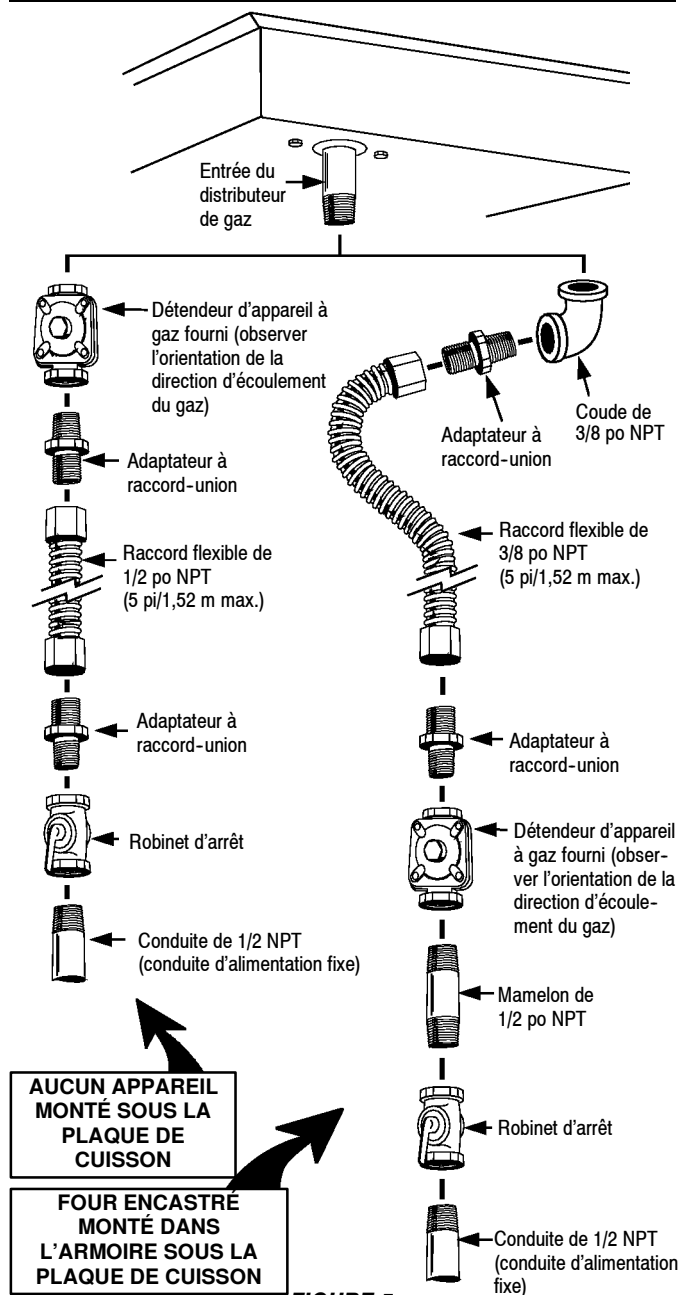
Vérification de la pression

L'appareil à gaz doit être coupé des conduites de gaz en fermant son robinet d'arrêt individuel pendant toute vérification de la pression dans les conduites de gaz à une pression égale ou inférieure à 0,5 lb/po² (3,5 kPa).

L'appareil à gaz et son robinet d'arrêt doivent être désolidarisés des conduites de gaz pendant toute vérification de la pression à une pression supérieure à 0,5 lb/po² (3,5 kPa).

Le gaz naturel doit être amené au détendeur à une pression de 6 à 14 pouces de colonne d'eau (1,5 à 3,5 kPa) ; en cas de conversion au gaz GPL, la pression dans la conduite doit être de 11 à 14 pouces de colonne d'eau (2,5 à 2,75 kPa).

ILLUSTRATION D'UNE MÉTHODE ALTERNATIVE



Câblage électrique

Cet appareil est équipé d'un cordon d'alimentation avec raccordement à la terre. Il doit être branché dans une prise de courant reliée à la terre. Il est recommandé, pour plus de facilité, que la prise soit placée (en référence à la figure 6) tel qu'indiqué en A ou B ci-dessous :

- Si aucun autre appareil ne doit être posé sous cette plaque de cuisson dans le périmètre de la partie ombrée ou de la partie hachurée indiquée à la figure 6.
- Si un modèle de four électrique encastré MEW6500 ou MEW5500 doit être posé sous cet appareil, placer la prise, au choix :
 - dans la partie hachurée indiquée à la figure 6 ou
 - dans une armoire adjacente.

Si un four encastré doit être posé sous cet appareil et que la prise de l'appareil monté sur le comptoir doit être posée dans la partie hachurée indiquée à la figure 6 :

- Le panneau avant de l'armoire qui se trouve sous le four doit être posé de façon à être amovible pour permettre l'accès à la prise.
- Un trou (diamètre de 1-1/4 po [3,18 cm] recommandé) doit être prévu dans la tablette de support du four et, le cas échéant, dans les lattes supportant la tablette, pour la fiche du cordon d'alimentation. Ce trou doit se trouver aussi près que cela est pratique de l'arrière de la tablette.

Si la prise doit être montée dans une armoire adjacente à gauche ou à droite, un trou comme celui décrit ci-dessus doit être pratiqué dans la cloison entre les armoires. La figure 4, page 5, illustre une cloison type (côté gauche). Le trou pour la fiche (non montré à la figure 4) peut être

placé à l'endroit le plus pratique dans cette cloison gauche ou au point correspondant de la cloison droite.

En cas de planification de la pose, noter que la longueur libre du cordon d'alimentation de cet appareil au-delà d'un point à 3-3/4 po (9,5 cm) à gauche du centre nominal de la paroi arrière de la boîte des brûleurs, vue de l'avant de l'appareil, est d'environ 46 po (117 cm).

Il pourra occasionnellement se produire une coupure de courant si le disjoncteur de fuite à la terre (GFCI) est en service.

AVERTISSEMENT

Mise à la terre

Cet appareil est muni d'une fiche à trois broches avec mise à la terre pour assurer la protection contre les risques d'électrocution et doit être branché directement dans une prise de courant correctement reliée à la terre. Ne pas enlever ni couper la broche de terre de cette fiche électrique.

AVERTISSEMENT

CETTE APPAREIL DOIT ÊTRE DÉBRANCHÉ DE LA PRISE MURALE AVANT TOUTE INTERVENTION DE SERVICE APRÈS-VENTE.

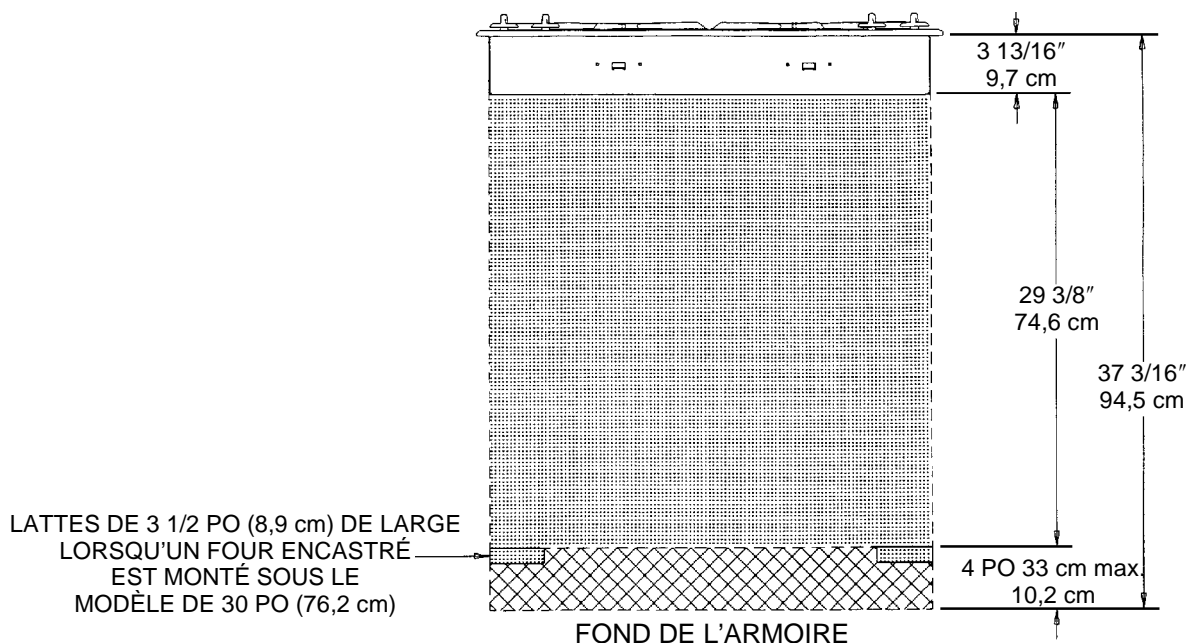


FIGURE 6

Conversion de l'appareil au gaz GPL

AVERTISSEMENT

La conversion au propane doit être effectuée par un PRESTATAIRE DE SERVICE AGRÉÉ MAYTAG (ou tout autre service qualifié) conformément aux consignes du fabricant et à tous les codes et exigences de toutes autorités compétentes. La non-observation des consignes pourrait entraîner des blessures graves ou des dégâts. Le prestataire de service qualifié qui effectue la conversion en assume l'entière responsabilité.

AVERTISSEMENT

Fermer le gaz et l'électricité avant de procéder à la conversion.

Cet appareil est réglé sur le gaz naturel en usine. Pour le convertir au gaz GPL (propane ou butane), effectuer chacune des modifications suivantes (A, B et C) :

A. REMPLACER TOUS LES RACCORDS À ORIFICE

- Étape 1 :** Enlever les grilles et les capuchons des brûleurs.
- Étape 2 :** Enlever le socle du brûleur en retirant les deux vis qui le retiennent en place (voir la figure 7).
- Étape 3 :** Pousser fermement un tourne-écrou de 9/32 po (ou 7 mm) sur les raccords à orifice (figures 7 et 8) et desserrer le raccord en le tournant dans le sens anti-horaire. Retirer doucement le tourne-écrou du col du brûleur. Le raccord à orifice doit se trouver pris dans le tourne-écrou. Répéter les étapes 2 et 3 pour chaque brûleur.

DÉPOSE DE L'ÉCROU À ORIFICE

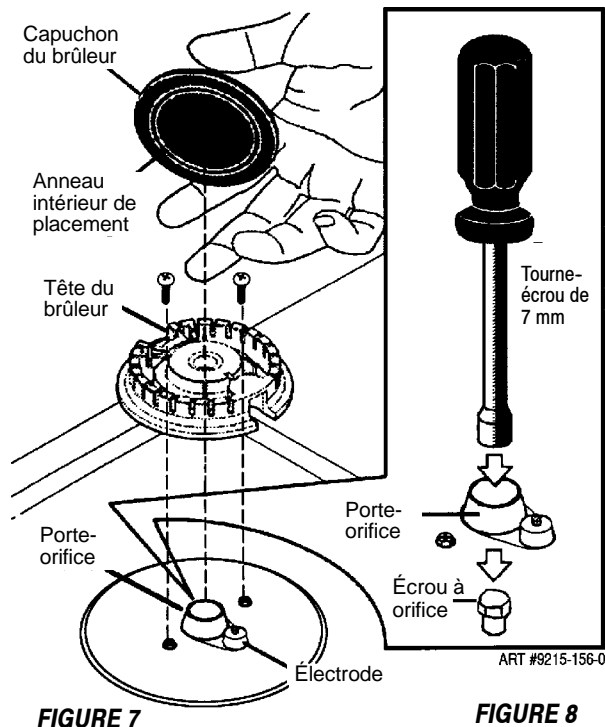


FIGURE 7

FIGURE 8

Pose de l'écrou à orifice pour gaz GPL

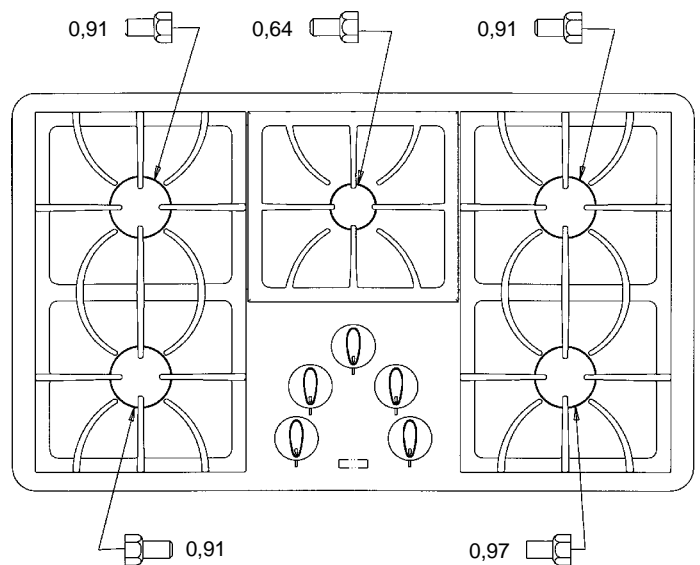


FIGURE 9

- Étape 4 :** Trouver le paquet de raccords à orifice GPL inclus avec la documentation. Les raccords ont un nombre estampillé en petits chiffres sur le côté. Ce nombre est un code du diamètre de l'orifice et de l'emplacement du brûleur qui lui convient. Les figures 9 et 10 montrent l'emplacement correct d'un raccord à orifice pour GPL.
- Étape 5 :** Monter soigneusement le raccord à orifice dans le col de brûleur correspondant en le tournant dans le sens horaire pour serrer. Serrer à un couple de 15 à 20 po-lb (1,7 à 2,3 N.m).
- Étape 6 :** Enlever le socle, les capuchons et les grilles des brûleurs. Serrer les vis (ne pas les foirer) à 25 - 30 po-lb (2,8 - 3,4 N.m).
- Étape 7 :** Mettre les orifices déposés de côté pour usage ultérieur.

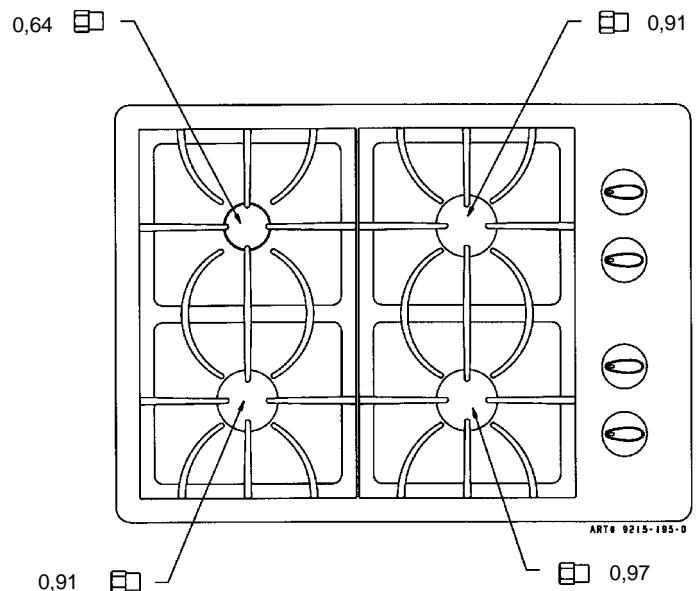


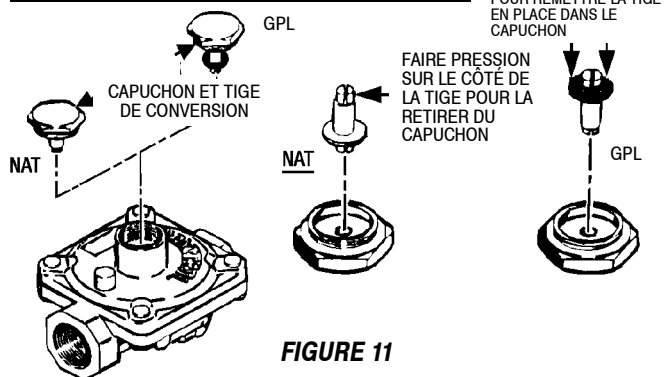
FIGURE 10

B. INVERSER LE CAPUCHON DANS LE DÉTENDEUR

(voir la figure 11).

Une fois l'appareil en place, le détendeur doit se trouver à l'emplacement indiqué à la figure 3, 4 ou 5.

CONVERSION DU DÉTENDEUR DE L'APPAREIL



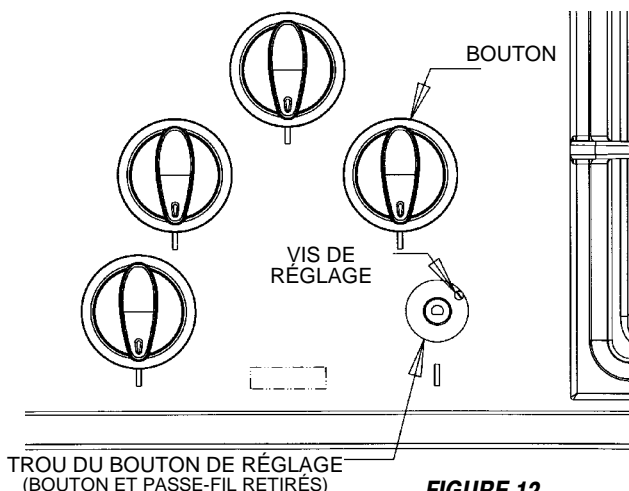
C. RÉGLAGE DE LA FLAMME À FEU DOUX (Voir figure 12)

La flamme à feu doux et plein feu des brûleurs de cet appareil est réglée en usine pour un usage avec du gaz naturel. Pour la régler au GPL, procéder comme suit :

1. Retirer le bouton de commande de la tige.

ATTENTION : NE JAMAIS UTILISER DE LAME MÉTALLIQUE POUR FAIRE LEVIER SUR LE BOUTON POUR L'ENLEVER. SI LE BOUTON NE S'ENLÈVE PAS FACILEMENT, GLISSER UN LINGE À VAISSELLE PLIÉ SOUS LE BOUTON ET TIRER LE LINGE À VAISSELLE VERS LE HAUT EN EXERÇANT UNE PRESSION RÉGULIÈRE ET UNIFORME.

2. Enlever le passe-fil en caoutchouc avec précaution.
3. Repérer la vis de réglage du bouton de commande. Voir la figure 12.
4. Insérer un tournevis à lame fine dans le trou du bouton et insérer la lame dans la fente de la vis de réglage.
5. Serrer la vis de réglage à fond dans le sens horaire (5 à 7 po-lb [0,6 à 0,8 N.m] max.). Ne pas trop serrer.
6. Remettre le passe-fil en caoutchouc en place ainsi que le bouton de réglage.
7. Faire de même avec les autres brûleurs.

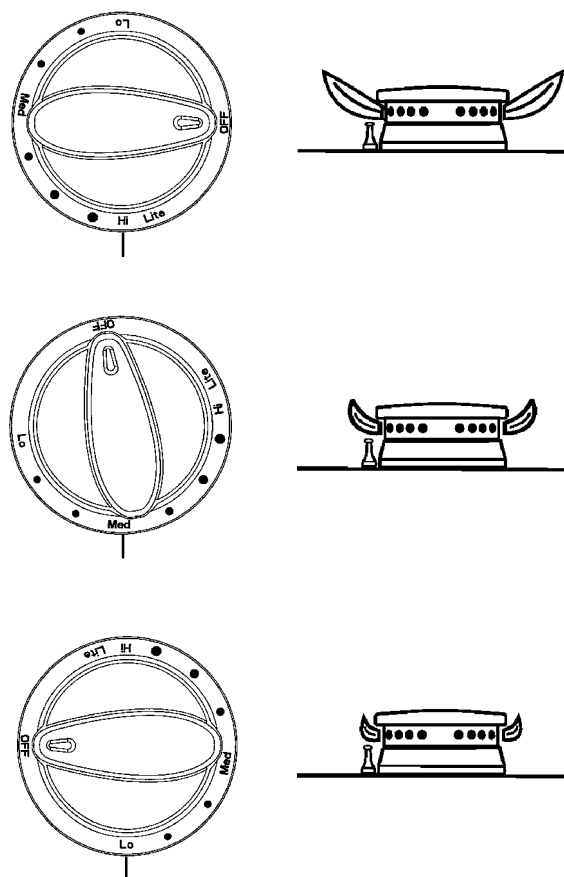


Une fois la vis de réglage serrée, le brûleur doit produire une flamme stable, bleue et d'une longueur minimum. Le réglage doit être vérifié en faisant tourner le bouton de feu doux à plein feu et vice versa à plusieurs reprises sans que la flamme s'éteigne.

Le réglage à feu doux assure automatiquement une flamme correcte au réglage à feu moyen.

Une fois les étapes A, B et C de la conversion terminées, vérifier l'apparence de la flamme de chaque brûleur à feu doux et à plein feu (Hi) par rapport à la figure 13. Si la flamme paraît trop grande ou trop petite, revoir chaque étape pour s'assurer qu'elle a été effectuée correctement.

APPARENCE DE LA FLAMME À PLEIN FEU ET À FEU DOUX



Pour convertir l'appareil au gaz naturel

AVERTISSEMENT

Fermer le gaz et l'électricité avant de procéder à la conversion.

Si cet appareil a été converti au GPL, chacune des modifications suivantes doit être effectuée pour le reconverter au gaz naturel.

A. REMPLACER TOUS LES RACCORDS À ORIFICE

1. Effectuer les étapes 1 et 2 de la page 8.
2. Effectuer l'étape 3 de la page 8.
3. Pour l'étape 4 : Trouver les raccords à orifice montés sur l'appareil à l'origine, avant sa conversion au GPL. Observer le nombre que porte chaque raccord et noter l'emplacement de brûleur correct pour chacun sur les figures 14 et 15.

Pose de raccords à orifice pour gaz naturel.

MODÈLE À 5 BRÛLEURS (36 PO [91,4 CM]) DE LARGE

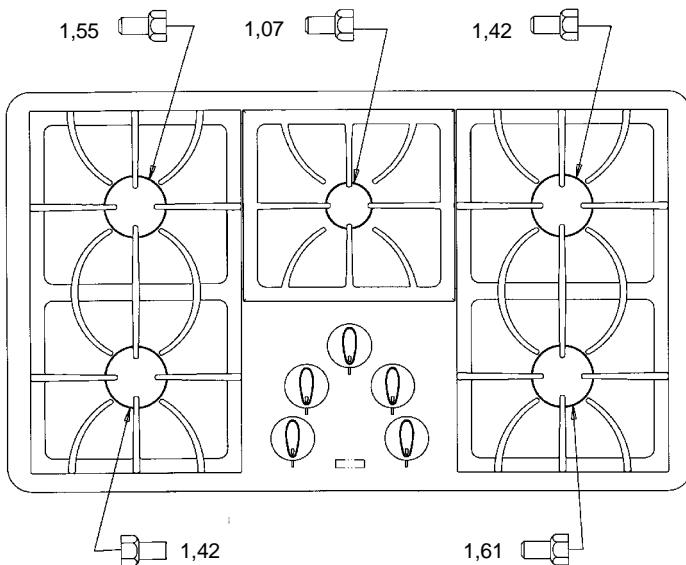


FIGURE 14

MODÈLE À 4 BRÛLEURS (30 PO [91,4 CM]) DE LARGE

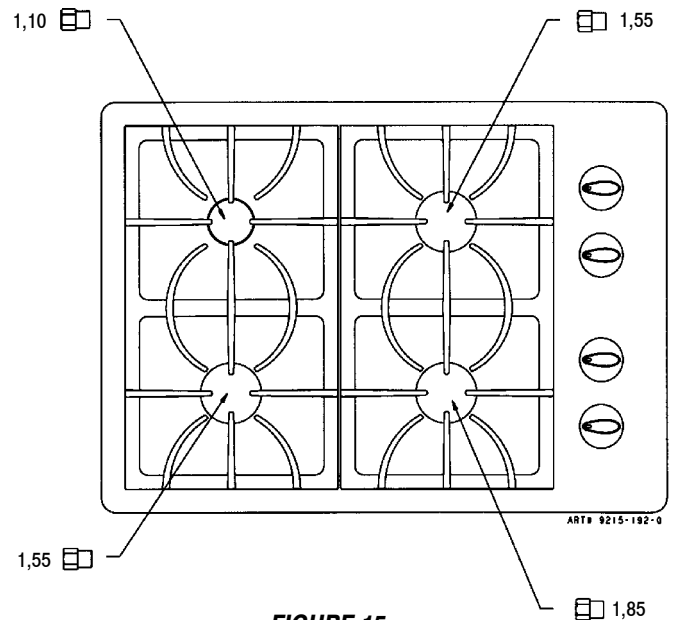


FIGURE 15

4. Effectuer les étapes 5, 6 et 7 de la page 8 pour terminer la pose des raccords à orifice pour gaz naturel à l'emplacement qui convient à chacun.
5. Mettre les orifices déposés de côté pour usage ultérieur. Ils seront nécessaires si l'appareil doit un jour être à nouveau converti au gaz GPL.

B. INVERSER LE CAPUCHON DANS LE DÉTENDEUR (voir la figure 11)

Une fois l'appareil en place, le détendeur doit se trouver à l'emplacement indiqué à la figure 3, 4 ou 5 (pages 4, 5 et 6). Identifier le type de détendeur de l'appareil et suivre les instructions de l'illustration qui convient.

C. RÉGLER LES BOUTONS DE COMMANDE AU GAZ NATUREL

1. Allumer un brûleur et le régler sur le feu doux.
2. Retirer le bouton.
3. Enlever les passe-fil en caoutchouc.
4. Repérer la vis de réglage du bouton de commande. Voir la figure 12.
5. Insérer un tournevis à lame fine dans le trou du bouton et insérer la lame dans la fente de la vis de réglage.
6. Commencer à la position correspondant au gaz GPL (voir le n 5, page 9, sous C, RÉGLAGE DE LA FLAMME À FEU DOUX), puis tourner la vis dans le sens anti-horaire jusqu'à ce que la flamme se stabilise et ressemble à la flamme illustrée pour le réglage « feu doux » de la figure 13. Une flamme correctement réglée est stable, bleue et d'une longueur minimum. Le réglage final doit être vérifié en faisant tourner le bouton de feu doux à plein feu et vice versa à plusieurs reprises sans que la flamme s'éteigne.

Une fois les étapes A, B et C de la conversion terminées, vérifier l'apparence de la flamme de chaque brûleur à feu doux (Lo) et à plein feu (Hi) contre la figure 13. Si la flamme paraît trop grande ou trop petite, s'assurer que chaque étape a été effectuée correctement.

Fonctionnement des brûleurs

ATTENTION : Ne jamais couvrir les boutons de commande ou leur pourtour avec des ustensiles, des torchons ou autres objets. Ne jamais faire obstruction au passage de l'air dans les ouvertures des boutons de commande. Ces ouvertures sont de dimensions calculées pour contrôler l'apport d'air à l'intérieur de l'appareil au cours de son fonctionnement.

Cet appareil ne possède pas d'obturateurs d'air. Le réglage de l'apport d'air est inutile. Les brûleurs sont conçus pour assurer un apport d'air optimum sans utiliser

d'obturateurs d'air, quel que soit le gaz. S'ils fonctionnent correctement, les brûleurs produisent une flamme uniformément bleue et clairement définie. Si la flamme est teintée de jaune à la pointe, qu'elle manque de définition ou qu'elle semble avoir un apport d'air insuffisant, faire appel à un technicien de service après-vente qualifié. Il est normal que la flamme présente une pointe légèrement jaune avec le GPL.

Les débits d'arrivée prévus sont indiqués aux figures 16 et 17 ci-dessous.

MODÈLE À 5 BRÛLEURS (36 po [91,4 cm]) de large)

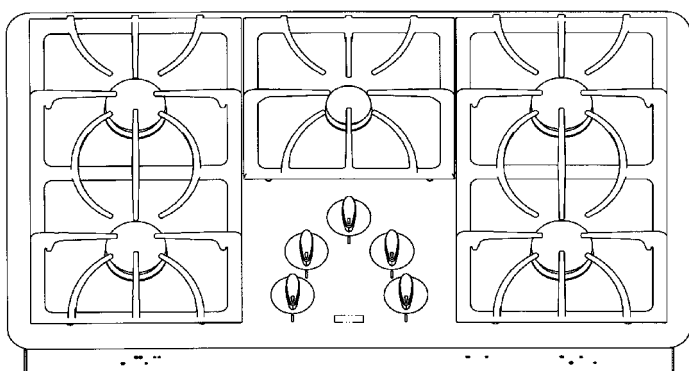
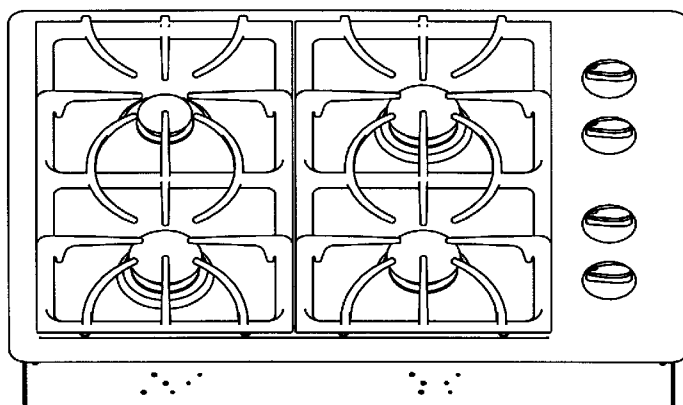


FIGURE 16

MODÈLE À 4 BRÛLEURS (30 po [76,2 cm]) de large)



ART#9215-201-0

FIGURE 17

PLAQUE DE CUISSON MAYTAG DE 36 PO (91,4 CM)

DÉBITS DE GAZ - GAZ NATUREL/GPL (BTU/H)		
EMPLACEMENT DU BRÛLEUR	Hi (plein feu)	Lo (feu doux)
Avant droit	12 500 / 10 500	1 300 / 1 300
Arrière droit	9 200 / 9 100	1 300 / 1 300
Avant gauche	9 200 / 9 100	1 300 / 1 300
Arrière gauche	10 500 / 9 100	1 300 / 1 300
Centre	5 000 / 4 000	650 / 650

PLAQUE DE CUISSON MAYTAG DE 30 PO (76,2 CM)

DÉBITS DE GAZ - GAZ NATUREL/GPL (BTU/H)		
EMPLACEMENT DU BRÛLEUR	Hi (plein feu)	Lo (feu doux)
Avant droit	12 500 / 10 500	1 300 / 1 300
Arrière droit	9 200 / 9 100	1 300 / 1 300
Avant gauche	9 200 / 9 100	1 300 / 1 300
Arrière gauche	5 000 / 4 000	650 / 650
Centre	-----	-----

Fixation de l'appareil au comptoir

IMPORTANT

Deux supports de fixation sont fournis pour fixer la plaque de cuisson au comptoir. Utiliser les supports de fixation, un à gauche et un à droite, pour fixer l'appareil au comptoir. Des supports de fixation additionnels peuvent être ajoutés à l'avant et/ou à l'arrière. Contacter le magasin ou le prestataire de service après-vente agréé.

Positionner la plaque de cuisson dans la découpe.

Ouvrir les portes de l'armoire et repérer les trous pour vis à gauche et à droite du fond de l'appareil. Les trous sont à mi-chemin entre l'avant et l'arrière de l'appareil et à approximativement 1 1/4 po (3,2 cm) du rebord de chaque côté.

Visser les longues vis de fixation fournies dans les supports de fixation.

Serrer les vis de façon à maintenir fermement l'appareil contre le comptoir. Voir les figures 18 et 19. **Ne pas trop serrer**.

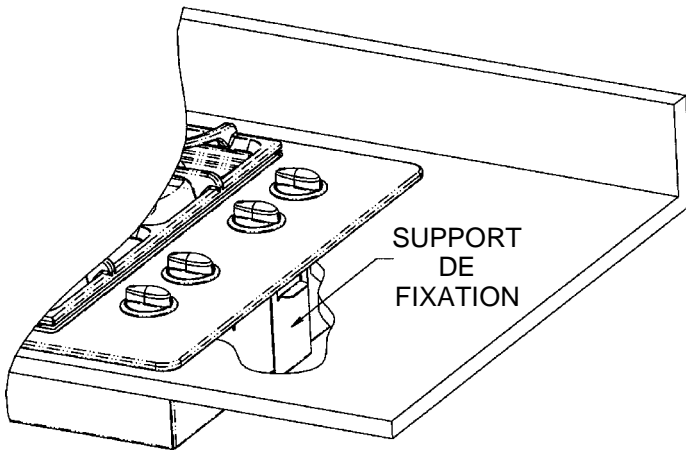


FIGURE 18

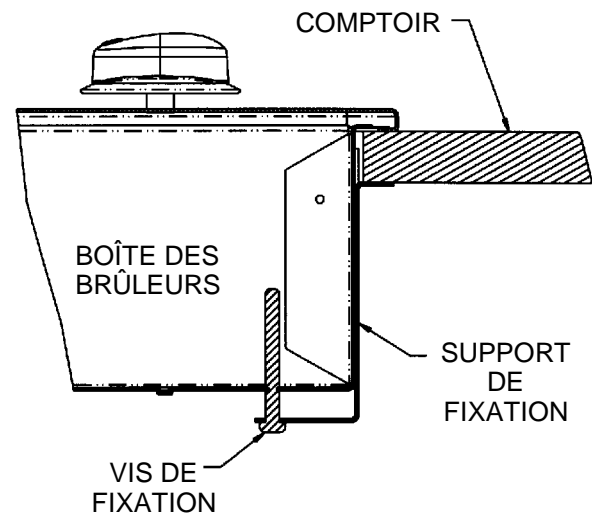


FIGURE 19

Dépose de la plaque de cuisson pour les interventions de service après-vente

Suivre les indications ci-dessous pour déposer l'appareil aux fins de dépannage.

1. Fermer l'alimentation en gaz au niveau de l'appareil.
2. Débrancher l'appareil de l'alimentation électrique s'il y a lieu.
3. Désolidariser la conduite d'alimentation en gaz de l'appareil.
4. Enlever les supports de fixation (voir la figure 19).
5. Procéder inversement pour remettre l'appareil en place. Si la conduite de gaz a été désolidarisée de l'appareil, vérifier qu'il n'y a pas de fuites une fois le raccordement effectué.

REMARQUE : Il est fortement recommandé que l'appareil soit désolidarisé de l'alimentation en gaz et raccordé à nouveau par un technicien de service après-vente qualifié.

La personne effectuant le dépannage **DOIT** suivre les instructions de mise en service fournies avec le raccord à gaz de l'appareil ainsi que sur l'étiquette de mise en garde fixée au raccord.

Informations sur les pièces de rechange

Pour toutes pièces de rechange et tout service après-vente, contacter le magasin ou un prestataire de service après-vente agréé. Veiller à donner le numéro de modèle et les numéros de série complets de la plaque de cuisson, qui se trouvent sur la plaque signalétique de l'appareil.

Free Manuals Download Website

<http://myh66.com>

<http://usermanuals.us>

<http://www.somanuals.com>

<http://www.4manuals.cc>

<http://www.manual-lib.com>

<http://www.404manual.com>

<http://www.luxmanual.com>

<http://aubethermostatmanual.com>

Golf course search by state

<http://golfingnear.com>

Email search by domain

<http://emailbydomain.com>

Auto manuals search

<http://auto.somanuals.com>

TV manuals search

<http://tv.somanuals.com>