

## COOKTOP DDRAFT

# Repair Parts List

MODEL NUMBER

JGD8130ADS

When requesting service or ordering parts, always provide the following information:

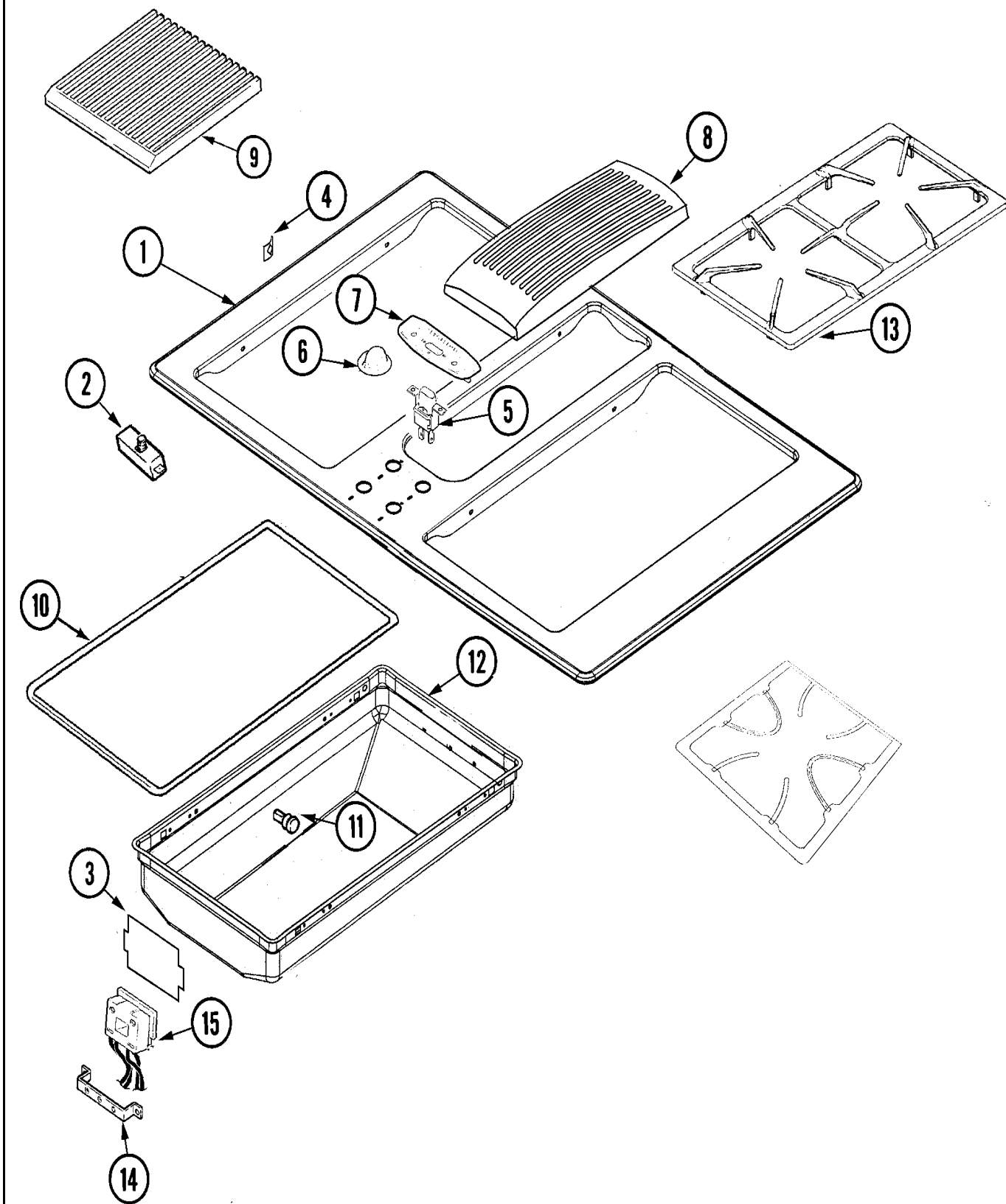
- Product Type
- Part Number
- Model Number
- Part Description

# **MAYTAG**®

©2005 Maytag Services

Section: TOP ASSEMBLY

Model: JGD8130ADS



C15-551

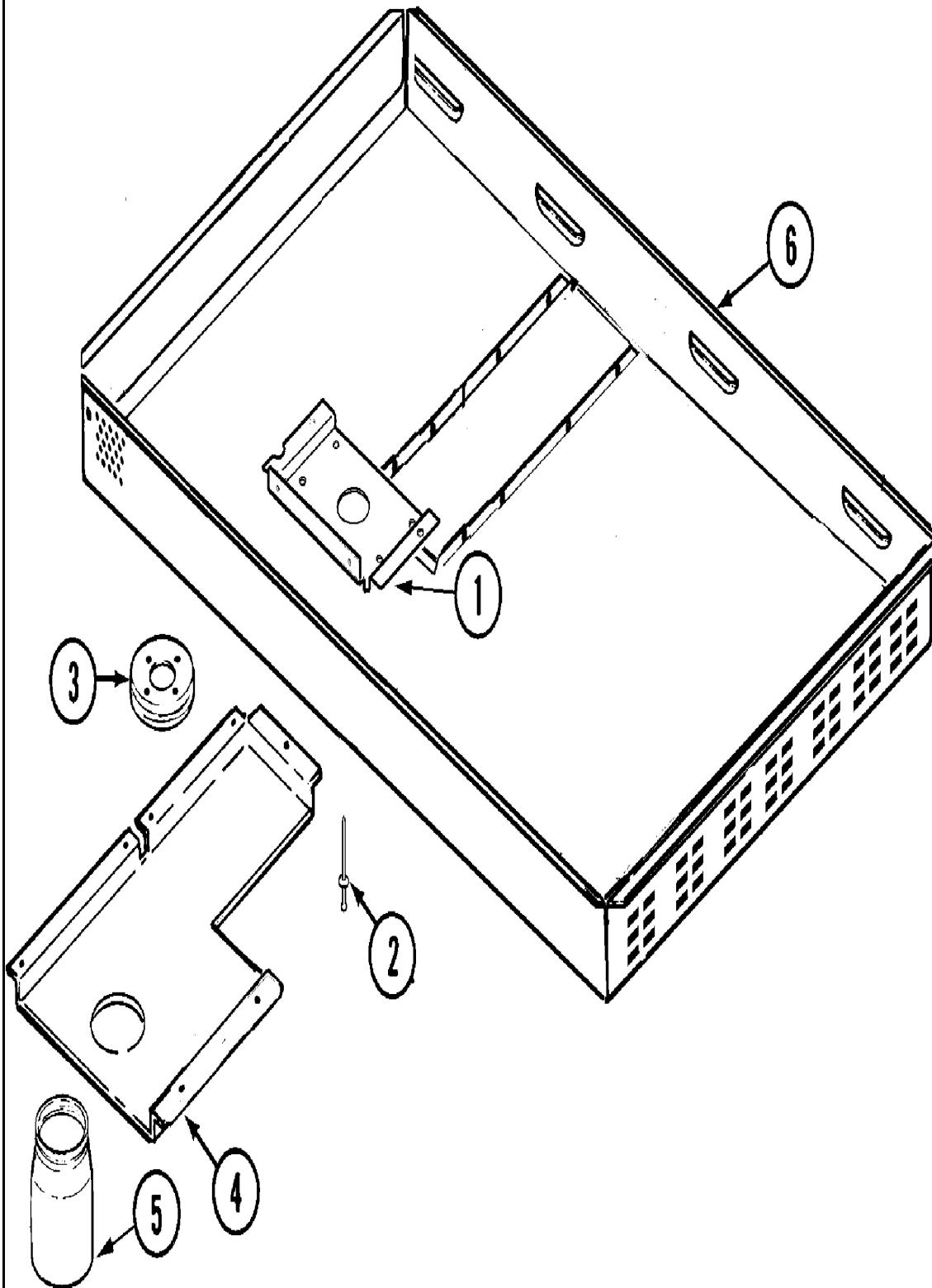
## Section: TOP ASSEMBLY

No.	Part No.	Description	Series	Qty
1	74005871	TOP, MAIN (STL)	10	1
-	74006890	HARNESS, PAN SWITCH	13	1
-	74006100	HARNESS, PAN SWITCH	10	1
2	74006094	SWITCH, SNAP	10	1
-	74006095	INSULATOR, SWITCH	10	1
3	74005866	INSULATOR, CERAMIC BLOCK	10	2
4	Y700503	CLIP, RETAINER	10	2
-	7101P270-60	SCREW, BLACK Note: SCREW, CLIP	10	2
5	71001564	SWITCH, FAN (BLK)	10	1
-	7101P290-60	SCREW Note: SCREW, SWITCH	10	2
6	74006141	KNOB, VALVE (BLK) Note: KNOB, VALVE (BLK)	10	4
7	74006145	TRIM, FAN CONTROL (BLK)	10	1
8	74005794	GRILL, AIR (BLK)	10	1
9	71003267	GRATE, GRILL	10	2
10	Y704979	SEAL, PAN	10	2
11	71001764	PIN, LOCATOR	10	3
-	704553	NUT Note: NUT, PIN	10	3
12	74006089	PAN, GRILL (RT) Note: PAN, GRILL (RT)	10	1
12	74006090	PAN, GRILL (LT) Note: PAN, GRILL (LT)	10	1
13	74005898	GRATE, BURNER (BLK)	10	1
14	74006093	CLIP, TERMINAL BLOCK	10	2
15	74006153	RECEPTACLE W/HARNESS Note: RECEPTACLE W/HARNESS	10	2
-	74005528	MANUAL, USE & CARE	10	1
- N	16008409	COOKBOOK----NA	10	1

\*Color Code (-)=Not Shown #=Series, Serial Prefix or Run No., N=Not Available

Section: BODY

Model: JGD8130ADS



C14-740

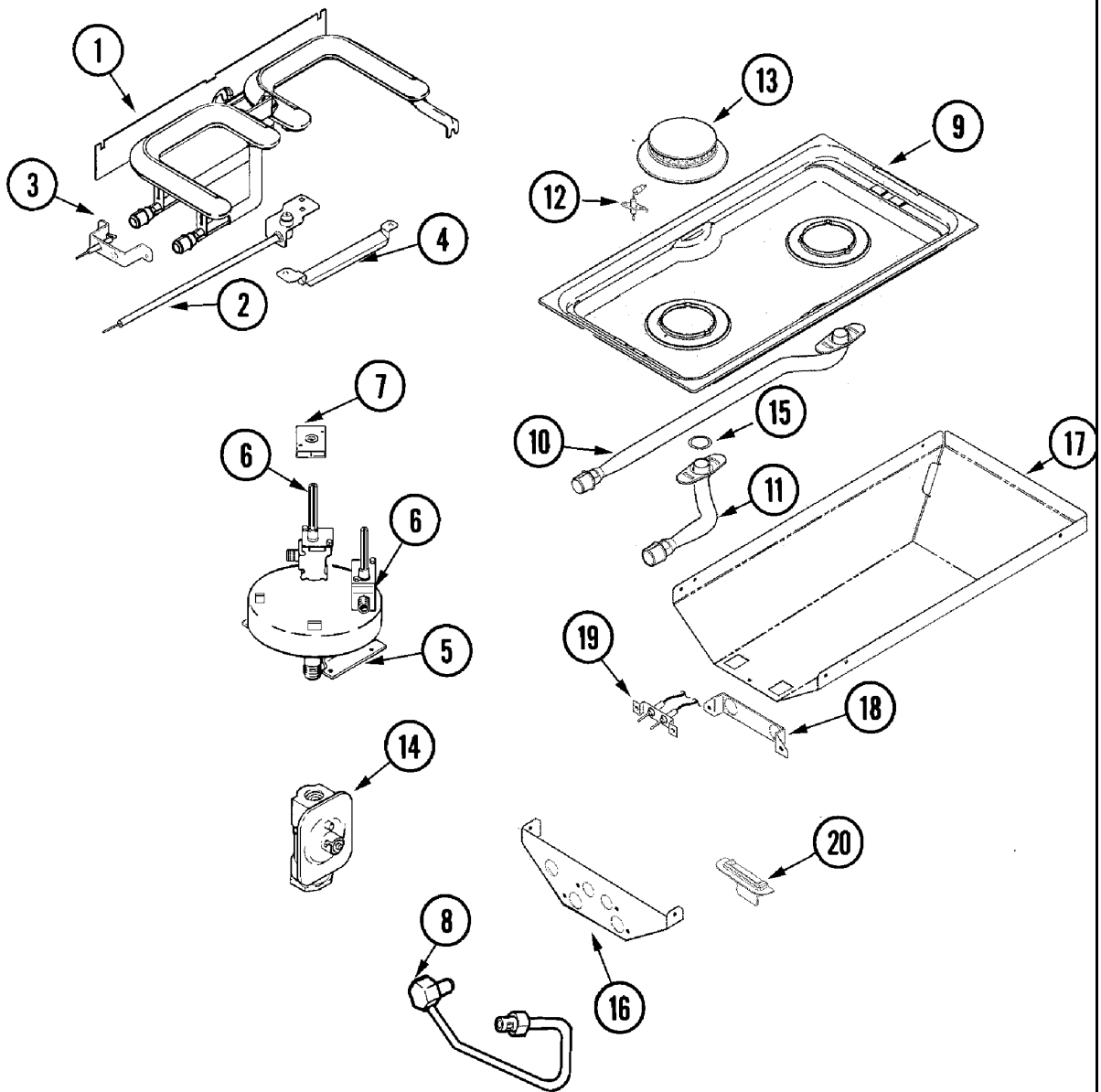
## Section: BODY

No.	Part No.	Description	Series	Qty
1	74006147	COVER, GAS	10	1
-	Y700502	SCREW Note: SCREW, COVER	10	4
1	74006611	COVER, GAS	11	1
-	Y707664	WASHER Note: WASHER, RIVIT	10	4
2	701662	RIVET	10	4
-	707124	NUT,SQUARE Note: NUT, LID	10	2
3	N 707870	LID, JAR	10	1
-	Y707121	SCREW Note: SCREW, LID	10	2
4	74006148	BAFFLE, BURNER BOX	10	1
-	Y700502	SCREW Note: SCREW,BAFFLE	10	5
5	Y707869	JAR, DRAIN	10	1
6	74005867	BOX, BURNER	10	1
-	704553	NUT Note: NUT (1/4" INSTALL)	10	3
-	71003131	SCREW Note: SCREW (4" X 1/2" INSTALL)	10	3

\*Color Code (-)=Not Shown #=Series, Serial Prefix or Run No., N=Not Available

Section: GAS CONTROLS

Model: JGD8130ADS



C13-227

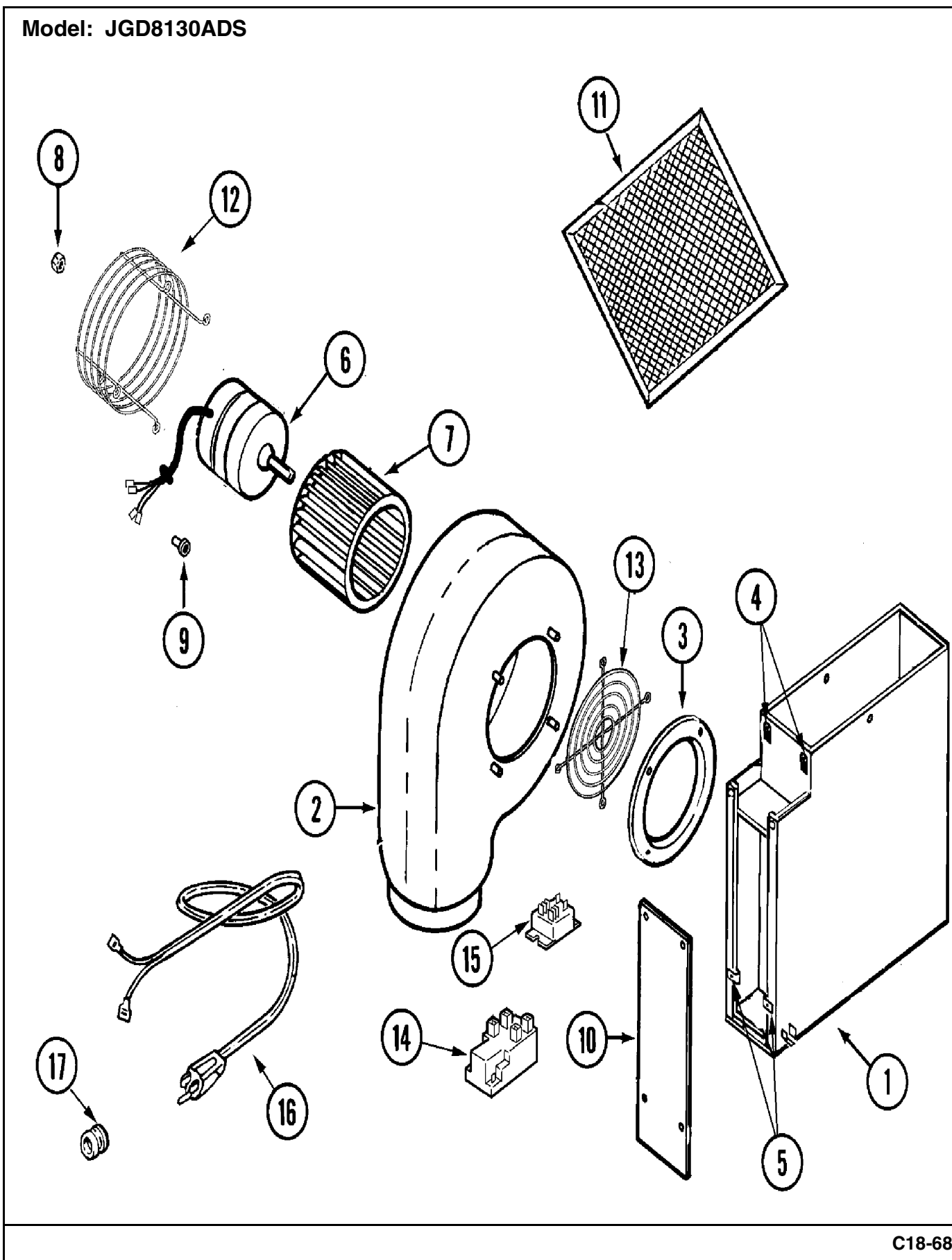
## Section: GAS CONTROLS

No.	Part No.	Description	Series	Qty
1	74006070	E-BURNER, GRILL	10	1
2	74006072	IGNITOR, E-BURNER	10	1
3	74006073	IGNITOR, GROUND ASSY	10	1
4	74006071	SHIELD, IGNITOR BRACKET	10	1
5	74006155	MANIFOLD	10	1
6	74006173	VALVE, TOP BURNER (LT)	10	2
6	74006156	VALVE, TOP BURNER Note: VALVE, TOP BURNER (RT)	10	2
7	74006158	SWITCH, VALVE (DOUBLE)	10	2
7	74006955	SWITCH, VALVE (SINGLE)	15	2
7	74006157	SWITCH, VALVE (SINGLE)	10	2
7	74006956	SWITCH, VALVE (DOUBLE)	15	2
8	74006177	TUBE, BURNER (LR)	10	1
8	74006175	TUBE, BURNER (LF)	10	1
8	74006176	TUBE, BURNER (RF)	10	1
-	Y704947	WASHER Note: WASHER, TUBE	10	4
8	74006178	TUBE, BURNER (RR)	10	1
9	74005897	TOP, CARTRIDGE (BLK)	10	1
-	74004288	SCREW (6ABX3/8-SN) Note: SCREW, TOP	10	4
10	74005895	VENTURI (REAR)	10	1
-	74004288	SCREW (6ABX3/8-SN) Note: SCREW, VENTURI	10	2
11	74005894	VENTURI (FRONT)	10	1
12	74004053	IGNITER, TOP BURNER	10	2
13	74005892	BURNER ASSY (BLK)	10	2
14	Y704545	REGULATOR, PRESSURE	10	1
15	74005893	SEAL (BRASS)	10	8
16	74006935	COVER, CARTRIDGE	14	1
16	74005887	COVER, CARTRIDGE	10	1
17	74005888	HOUSING, CARTRIDGE	10	1
18	74005889	BRACKET, VENTURI ALIGNMENT	10	1
-	71001183	SCREW (#8AB)	10	4
19	74006098	IGNITOR/BLOCK, ASSY	10	1
20	74006934	GUARD, CORNER	14	2
-	74006048	KIT, LP ORIFICE (4 BURNER)	10	1
-	74006179	HARNESS, SPARK SUPPLY	10	1
-	74006953	HARNESS, SPARK SUPPLY	15	1
-	W10124350	NOT REQUIRED PART OR SEE NOTE Note: FOR A COMPLETE SEALED BURNER CARTRIDGE ORDER JGA8100ADB	10	1
-	W10124350	NOT REQUIRED PART OR SEE NOTE Note: FOR A COMPLETE SEALED BURNER CARTRIDGE ORDER JGA8100ADW	10	0

\*Color Code (-)=Not Shown #=Series, Serial Prefix or Run No., N=Not Available

Section: BLOWER PLENUM

Model: JGD8130ADS



C18-68



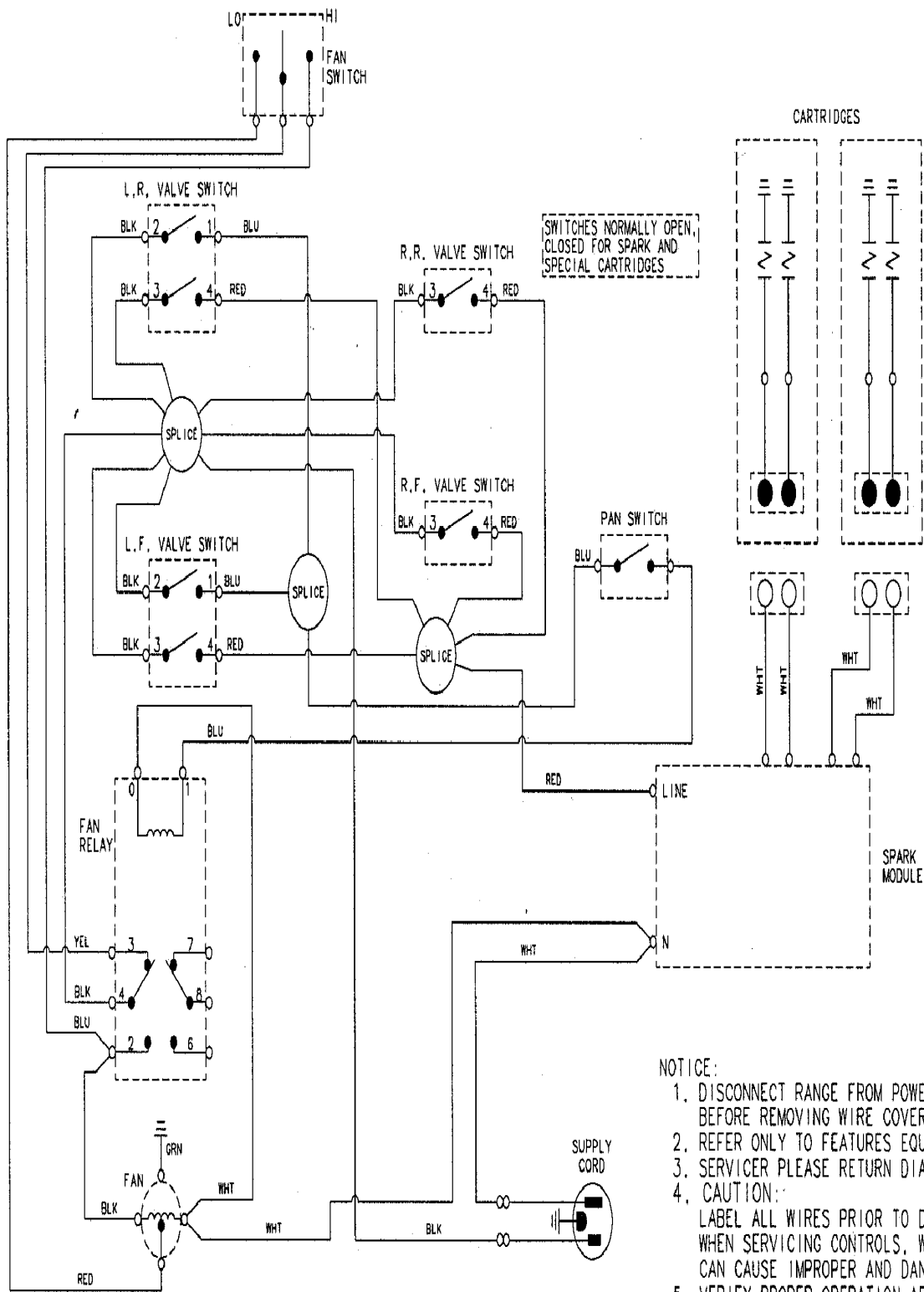
## Section: BLOWER PLENUM

No.	Part No.	Description	Series	Qty
1	74006138	PLENUM WELD ASSEMBLY Note: PLENUM	10	1
1	74006610	PLENUM WELD ASSEMBLY	11	1
2	712008	SCROLL, BLOWER ASSY. Note: SCROLL, BLOWER ASSY	10	1
-	Y704762	RETAINER Note: RETAINER, RING	10	1
-	Y704761	RING, RESTRICTOR	10	1
3	Y704758	RING, INLET	10	1
4	Y707831	CLIP Note: CLIP, COVER	10	2
5	74005812	CLIP, COVER (J-TYPE)	10	2
-	Y707150	SCREW Note: SCREW, MOTOR	10	1
6	74005785	BLOWER MOTOR W/CAGE	10	1
-	701719	NUT, HEX Note: NUT, MOTOR	10	1
7	Y707985	WHEEL, BLOWER	10	1
8	Y707702	LOCKNUT Note: LOCKNUT, WHEEL	10	4
9	Y04100522	SCREW Note: SCREW, GROUND	10	2
10	71001759	PLATE, COVER Note: COVER, PLATE	10	1
-	Y700502	SCREW Note: SCREW, PLATE	10	4
10	74006609	COVER, PLENUM ACCESS	11	1
-	74005868	PLATE, WIRE COVER Note: PLATE, WIRE COVER (BOTTOM)	10	1
11	707929	FILTER, GREASE	10	1
-	Y707688	RETAINER, FILTER	10	1
-	Y700502	SCREW Note: SCREW, RETAINER	10	2
12 N	74005787	CAGE, MOTOR	10	1
-	71001183	SCREW (#8AB) Note: SCREW, CAGE	10	2
-	Y706193	PLUG, HOLE	10	4
-	74001521	WASHER (1") Note: WASHER, GUARD	10	4
13	71001534	GUARD, BLOWER	10	1
14	74004283	MODULE, SPARK (4+0)	10	1
15	71001579	RELAY, FAN	10	1
16	74005927	CORD, POWER	10	1
17	Y04100254	RELIEF, STRAIN	10	1

\*Color Code (-)=Not Shown #=Series, Serial Prefix or Run No., N=Not Available

# Section: WIRING INFORMATION

Model: JGD8130ADS



15002837



## Free Manuals Download Website

<http://myh66.com>

<http://usermanuals.us>

<http://www.somanuals.com>

<http://www.4manuals.cc>

<http://www.manual-lib.com>

<http://www.404manual.com>

<http://www.luxmanual.com>

<http://aubethermostatmanual.com>

Golf course search by state

<http://golfingnear.com>

Email search by domain

<http://emailbydomain.com>

Auto manuals search

<http://auto.somanuals.com>

TV manuals search

<http://tv.somanuals.com>