

# DRYER INSTALLATION INSTRUCTIONS

## 29" and 27" Wide Models

### Gas (U.S.A. and Canada) & Electric (Canada Only)

# INSTRUCTIONS D'INSTALLATION DE LA SÈCHEUSE

## Modèles de 29" et de 27" de largeur

### À gaz (É.-U. et Canada) et Électrique (Canada uniquement)

Para obtener acceso al manual de uso y cuidado en español, o para obtener información adicional acerca de su producto, visite:  
[www.whirlpool.com](http://www.whirlpool.com)

Tenga listo su número de modelo completo. Puede encontrar el número de modelo y de serie dentro de la cavidad superior de la puerta.

### Table of Contents

DRYER SAFETY .....	1
INSTALLATION REQUIREMENTS.....	4
Tools and Parts .....	4
Location Requirements .....	4
ELECTRIC DRYER POWER HOOKUP - CANADA ONLY .....	6
Electrical Requirements.....	6
INSTALL LEVELING LEGS.....	6
GAS DRYER POWER HOOKUP .....	7
Gas Supply Requirements.....	7
VENTING.....	8
Venting Requirements .....	8
Plan Vent System .....	9
Install Vent System .....	11
Level Dryer .....	11
Make Gas Connection .....	11
Connect Vent.....	11
Complete Installation .....	11
Reverse Door Swing (Optional) .....	12

### Table des matières

SÉCURITÉ DE LA SÈCHEUSE .....	14
EXIGENCES D'INSTALLATION .....	17
Outillage et Pièces.....	17
Exigences d'emplacement.....	17
RACCORDEMENT À L'ALIMENTATION ÉLECTRIQUE DE LA SÈCHEUSE - CANADA SEULEMENT .....	19
Spécifications Électriques .....	19
INSTALLATION DES PIEDS DE NIVELLEMENT .....	20
RACCORDEMENT D'UNE SÈCHEUSE À GAZ .....	20
Spécifications de l'alimentation en gaz.....	20
ÉVACUATION .....	22
Exigences concernant l'évacuation.....	22
Planification du système d'évacuation.....	23
Installation du circuit d'évacuation .....	24
Réglage de l'aplomb de la sècheuse .....	25
RACCORDEMENT AU GAZ .....	25
RACCORDEMENT DU CONDUIT D'ÉVACUATION.....	25
ACHEVER L'INSTALLATION .....	25
Inversion du sens d'ouverture de la porte (facultatif) .....	26

## DRYER SAFETY

### Your safety and the safety of others are very important.

We have provided many important safety messages in this manual and on your appliance. Always read and obey all safety messages.



This is the safety alert symbol.

This symbol alerts you to potential hazards that can kill or hurt you and others.

All safety messages will follow the safety alert symbol and either the word "DANGER" or "WARNING."

These words mean:

**⚠ DANGER**

You can be killed or seriously injured if you don't immediately follow instructions.

**⚠ WARNING**

You can be killed or seriously injured if you don't follow instructions.

All safety messages will tell you what the potential hazard is, tell you how to reduce the chance of injury, and tell you what can happen if the instructions are not followed.



## **WARNING - "Risk of Fire"**

- Clothes dryer installation must be performed by a qualified installer.
- Install the clothes dryer according to the manufacturer's instructions and local codes.
- Do not install a clothes dryer with flexible plastic venting materials. If flexible metal (foil type) duct is installed, it must be of a specific type identified by the appliance manufacturer as suitable for use with clothes dryers. Flexible venting materials are known to collapse, be easily crushed, and trap lint. These conditions will obstruct clothes dryer airflow and increase the risk of fire.
- To reduce the risk of severe injury or death, follow all installation instructions.
- Save these instructions.

**IMPORTANT:** The gas installation must conform with local codes, or in the absence of local codes, with the National Fuel Gas Code, ANSI Z223.1/NFPA 54 or the Canadian Natural Gas and Propane Installation Code, CSA B149.1.

The dryer must be electrically grounded in accordance with local codes, or in the absence of local codes, with the National Electrical Code, ANSI/NFPA 70 or Canadian Electrical Code, CSA C22.1.

**WARNING:** For your safety, the information in this manual must be followed to minimize the risk of fire or explosion, or to prevent property damage, personal injury, or death.

- Do not store or use gasoline or other flammable vapors and liquids in the vicinity of this or any other appliance.
- **WHAT TO DO IF YOU SMELL GAS:**
  - Do not try to light any appliance.
  - Do not touch any electrical switch; do not use any phone in your building.
  - Clear the room, building, or area of all occupants.
  - Immediately call your gas supplier from a neighbor's phone. Follow the gas supplier's instructions.
  - If you cannot reach your gas supplier, call the fire department.
- Installation and service must be performed by a qualified installer, service agency, or the gas supplier.

**WARNING:** Gas leaks cannot always be detected by smell.

Gas suppliers recommend that you use a gas detector approved by UL or CSA.

For more information, contact your gas supplier.

If a gas leak is detected, follow the "What to do if you smell gas" instructions.

## IMPORTANT SAFETY INSTRUCTIONS

**WARNING:** To reduce the risk of fire, electric shock, or injury to persons when using the dryer, follow basic precautions, including the following:

- Read all instructions before using the dryer.
- Do not place items exposed to cooking oils in your dryer. Items contaminated with cooking oils may contribute to a chemical reaction that could cause a load to catch fire.
- Do not dry articles that have been previously cleaned in, washed in, soaked in, or spotted with gasoline, dry-cleaning solvents, or other flammable or explosive substances as they give off vapors that could ignite or explode.
- Do not allow children to play on or in the dryer. Close supervision of children is necessary when the dryer is used near children.
- Before the dryer is removed from service or discarded, remove the door to the drying compartment.
- Do not reach into the dryer if the drum is moving.
- Do not install or store the dryer where it will be exposed to the weather.
- Do not tamper with controls.
- Do not repair or replace any part of the dryer or attempt any servicing unless specifically recommended in this Use and Care Guide or in published user-repair instructions that you understand and have the skills to carry out.
- Do not use fabric softeners or products to eliminate static unless recommended by the manufacturer of the fabric softener or product.
- Do not use heat to dry articles containing foam rubber or similarly textured rubber-like materials.
- Clean lint screen before or after each load.
- Keep area around the exhaust opening and adjacent surrounding areas free from the accumulation of lint, dust, and dirt.
- The interior of the dryer and exhaust vent should be cleaned periodically by qualified service personnel.
- See installation instructions for grounding requirements.

**SAVE THESE INSTRUCTIONS**

In the State of Massachusetts, the following installation instructions apply:

- Installations and repairs must be performed by a qualified or licensed contractor, plumber, or gasfitter qualified or licensed by the State of Massachusetts.
- If using a ball valve, it shall be a T-handle type.
- A flexible gas connector, when used, must not exceed 3 feet.

State of California Proposition 65 Warnings:

**WARNING:** This product contains a chemical known to the State of California to cause cancer.

**WARNING:** This product contains a chemical known to the State of California to cause birth defects or other reproductive harm.

## IMPORTANT SAFETY INSTRUCTIONS

When discarding or storing your old clothes dryer, remove the door.

**SAVE THESE INSTRUCTIONS**

# INSTALLATION REQUIREMENTS

## Tools and Parts

Gather the required tools and parts before starting installation. Read and follow the instructions provided with any tools listed here.

- Flat-blade screwdriver
- #2 Phillips head screwdriver
- Adjustable wrench that opens to 1" (25 mm) or hex-head socket wrench (for adjusting dryer feet)
- Level
- Vent Clamps
- Pliers
- 1/4" nut driver or socket wrench (recommended)
- Tin snips (new vent installations)
- Caulking gun and compound (for installing new exhaust vent)
- Tape measure
- Utility knife

## Gas Installations

- 8" or 10" pipe wrench
- 8" or 10" adjustable wrench
- Pipe joint compound resistant to LP gas

## Parts supplied:

Parts package is located in dryer drum. Check that all parts are included.



4 Leveling legs

## Parts needed:

Check local codes. Check existing electrical supply and venting, and read "Electrical Requirements" and "Venting Requirements" before purchasing parts.

Mobile home installations require metal exhaust system hardware. For further information, please reference the "Assistance or Service" section of the "Dryer User Instructions."

## Location Requirements

### ⚠ WARNING



#### Explosion Hazard

**Keep flammable materials and vapors, such as gasoline, away from dryer.**

**Place dryer at least 18 inches (460 mm) above the floor for a garage installation.**

**Failure to do so can result in death, explosion, or fire.**

## You will need:

- A location allowing for proper exhaust installation. See "Venting Requirements."
- A separate 30 amp circuit for electric dryers.
- A separate 15 or 20 amp circuit for gas dryers.
- If you are using power supply cord, a grounded electrical outlet located within 2 ft. (610 mm) of either side of dryer. See "Electrical Requirements."
- A sturdy floor to support dryer and a total weight (dryer and load) of 200 lbs. (90.7 kg). The combined weight of a companion appliance should also be considered.
- Level floor with maximum slope of 1" (25 mm) under entire dryer. If slope is greater than 1" (25 mm), install Extended Dryer Feet Kit, Part Number 279810. If not level, clothes may not tumble properly and automatic sensor cycles may not operate correctly.

Do not operate your dryer at temperatures below 45°F (7°C). At lower temperatures, the dryer might not shut off at the end of an automatic cycle. Drying times can be extended.

The dryer must not be installed or stored in an area where it will be exposed to water and/or weather.

Check code requirements. Some codes limit, or do not permit, installation of the dryer in garages, closets, mobile homes, or sleeping quarters. Contact your local building inspector.

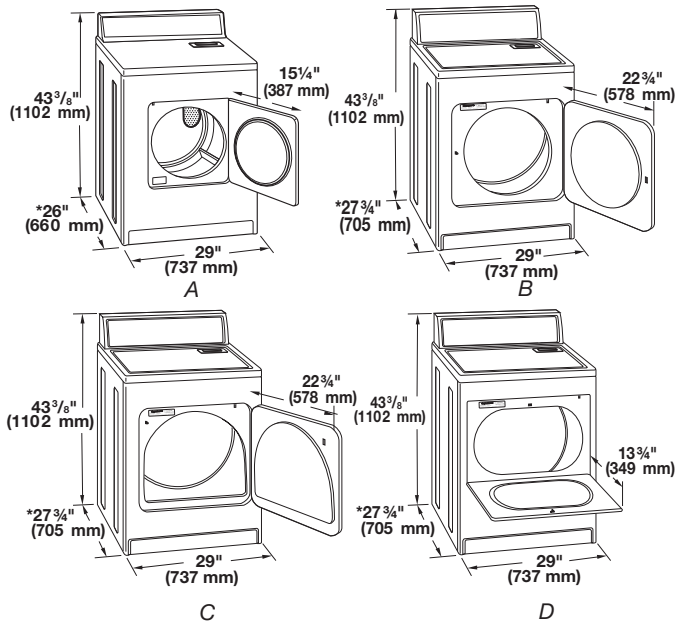
**NOTE:** No other fuel-burning appliance can be installed in the same closet as a dryer.

## Installation clearances:

The location must be large enough to allow the dryer door to open fully.

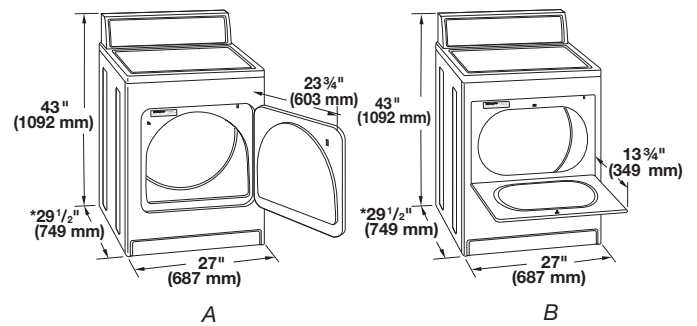
Most installations require a minimum 5½" (140 mm) clearance behind the dryer for the exhaust vent with elbow. See "Venting Requirements."

### 29" Wide Models Dryer Dimensions



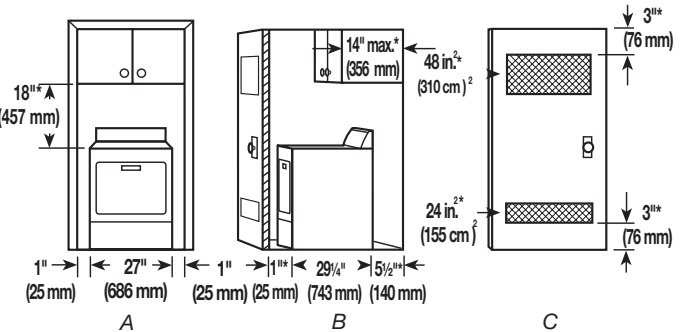
A. Small opening side-swing door  
B. Large opening side-swing door  
C. Wide opening side-swing door  
D. Wide opening hamper door

### 27" Wide Models Dryer Dimensions



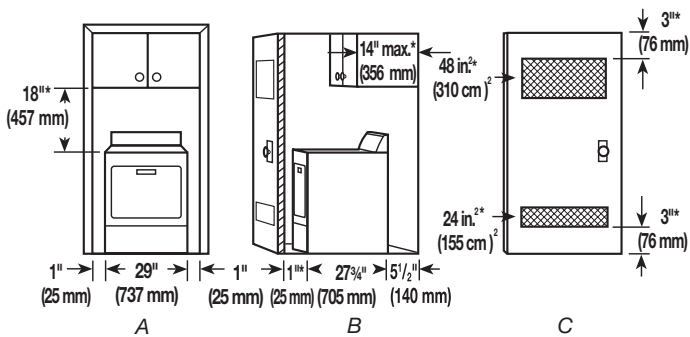
A. Large opening side-swing door  
B. Wide opening hamper door

### Installation Spacing



A. Recessed area  
B. Side view - closet or confined area  
C. Closet door with vents

### Installation Spacing



A. Recessed area  
B. Side view - closet or confined area  
C. Closet door with vents

\*Required spacing

\*Required spacing

### Installation spacing for recessed area or closet installation

The dimensions shown are for the minimum spacing allowed.

- Additional spacing should be considered for ease of installation and servicing.
- Additional clearances might be required for wall, door, and floor moldings.
- Additional spacing of 1" (25 mm) on all sides of the dryer is recommended to reduce noise transfer.
- For closet installation, with a door, minimum ventilation openings in the top and bottom of the door are required. Louvered doors with equivalent ventilation openings are acceptable.
- Companion appliance spacing should also be considered.

### Mobile home - Additional installation requirements

This dryer is suitable for mobile home installations. The installation must conform to the Manufactured Home Construction and Safety Standard, Title 24 CFR, Part 3280 (formerly the Federal Standard for Mobile Home Construction and Safety, Title 24, HUD Part 280) or the Canadian Manufactured Home Standard CAN/CSA-Z240 MH.

### Mobile home installations require:

- Metal exhaust system hardware, available for purchase. For further information, please reference the "Assistance or Service" section of the "Dryer User Instructions."
- Special provisions must be made in mobile homes to introduce outside air into the dryer. The opening (such as a nearby window) should be at least twice as large as the dryer exhaust opening.

# ELECTRIC DRYER POWER HOOKUP - CANADA ONLY

## Electrical Requirements

### **WARNING**



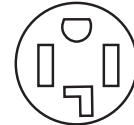
#### Electrical Shock Hazard

Plug into a grounded 4 prong outlet.

Failure to do so can result in death or electrical shock.

#### It is your responsibility:

- To contact a qualified electrical installer.
- To be sure that the electrical connection is adequate and in conformance with the Canadian Electrical Code, C22.1-latest edition and all local codes. A copy of the above codes standard may be obtained from: Canadian Standards Association, 178 Rexdale Blvd., Toronto, ON M9W 1R3 CANADA.
- To supply the required 4 wire, single phase, 120/240 volt, 60 Hz., AC only electrical supply on a separate 30-amp circuit, fused on both sides of the line. A time-delay fuse or circuit breaker is recommended. Connect to an individual branch circuit.
- This dryer is equipped with a CSA International Certified Power Cord intended to be plugged into a standard 14-30R wall receptacle. The cord is 5 ft. (1.52 m) in length. Be sure wall receptacle is within reach of dryer's final location.



4-wire receptacle (14-30R)

- Do not use an extension cord.

If using a replacement power supply cord, it is recommended that you use Power Supply Cord Replacement Part Number 3394208. For further information, please reference the "Assistance or Service" section of the "Dryer User Instructions."

### **GROUNDING INSTRUCTIONS**

- For a grounded, cord-connected dryer:  
This dryer must be grounded. In the event of malfunction or breakdown, grounding will reduce the risk of electric shock by providing a path of least resistance for electric current. This dryer is equipped with a cord having an equipment-grounding conductor and a grounding plug. The plug must be plugged into an appropriate outlet that is properly installed and grounded in accordance with all local codes and ordinances.

**WARNING:** Improper connection of the equipment-grounding conductor can result in a risk of electric shock. Check with a qualified electrician or service representative or personnel if you are in doubt as to whether the dryer is properly grounded. Do not modify the plug provided with the dryer: if it will not fit the outlet, have a proper outlet installed by a qualified electrician.

### **SAVE THESE INSTRUCTIONS**

## INSTALL LEVELING LEGS

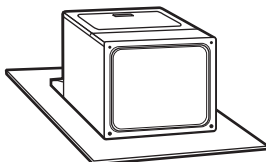
### **WARNING**

#### Excessive Weight Hazard

Use two or more people to move and install dryer.

Failure to do so can result in back or other injury.

1. To avoid damaging the floor, use a large flat piece of cardboard from the dryer carton. Place cardboard under the entire back edge of the dryer. See illustration.
2. Firmly grasp the body of the dryer (not the console panel). Gently lay the dryer on the cardboard. See illustration.



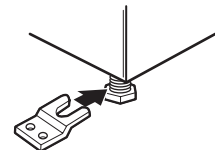
3. Examine the leveling legs. Find the diamond marking.



4. Screw the legs into the leg holes by hand. Use a wrench to finish turning the legs until the diamond marking is no longer visible.
5. Place a carton corner post under each of the 2 dryer back corners. Stand the dryer up. Slide the dryer on the corner posts until it is close to its final location. Leave enough room to connect the exhaust vent.
6. Once connection is made and dryer is in final location, remove corner posts and cardboard.

#### For mobile home use

Gas dryers must be securely fastened to the floor.



Mobile home installations require a Mobile Home Installation Hold-down Kit. For ordering information please reference the "Dryer User Instructions."

# GAS DRYER POWER HOOKUP

## Gas Supply Requirements

### **⚠ WARNING**



#### Explosion Hazard

Use a new CSA International approved gas supply line.

Install a shut-off valve.

Securely tighten all gas connections.

If connected to LP, have a qualified person make sure gas pressure does not exceed 13" (330 mm) water column.

Examples of a qualified person include:

licensed heating personnel, authorized gas company personnel, and authorized service personnel.

Failure to do so can result in death, explosion, or fire.

## Gas type

### Natural gas:

This dryer is equipped for use with Natural Gas. It is design-certified by CSA International for LP (propane or butane) gases with appropriate conversion.

- Your dryer must have the correct burner for the type of gas in your home. Burner information is located on the rating plate in the door well of your dryer. If this information does not agree with the type of gas available, please reference the "Assistance or Service" section of the "Dryer User Instructions."

### LP gas conversion:

**Conversion must be made by a qualified technician.**

No attempt shall be made to convert the dryer from the gas specified on the model/serial rating plate for use with a different gas without consulting the serving gas supplier.

**IMPORTANT:** The gas installation must conform with local codes, or in the absence of local codes, with the National Fuel Gas Code, ANSI Z223.1/NFPA 54 or the Canadian Natural Gas and Propane Installation Code, CSA B149.1.

## Gas supply line

- 1/2" NPT pipe is recommended.
- 3/8" approved tubing is acceptable for lengths under 20 ft. (6.1 m) if local codes and gas supplier permit.
- Must include 1/8" NPT minimum plugged tapping accessible for test gauge connection, immediately upstream of the gas connection to the dryer (see illustration).

- Must include a shutoff valve:

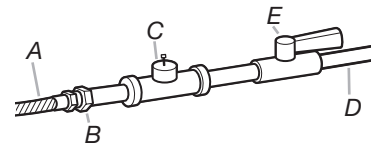
### In the U.S.A.:

An individual manual shutoff valve must be installed within six (6) feet (1.8 m) of the dryer in accordance with the National Fuel Gas Code, ANSI Z223.1.

### In Canada:

An individual manual shutoff valve must be installed in accordance with the B149.1, Natural Gas and Propane Installation Code. It is recommended that an individual manual shutoff valve be installed within six (6) feet (1.8 m) of the dryer.

The shut off valve location should be easy to reach for opening and closing.



- A. 3/8" flexible gas connector
- B. 3/8" pipe to flare adapter fitting
- C. 1/8" NPT minimum plugged tapping
- D. 1/2" NPT gas supply line
- E. Gas shutoff valve

## Gas supply connection requirements

There are many methods by which your gas dryer can be connected to the gas supply. Listed here are some guidelines for two different methods of connection.

### Option 1 (Recommended Method)

Flexible stainless steel gas connector:

- If local codes permit, use a new flexible stainless steel gas connector (Design Certified by the American Gas Association or CSA International) to connect your dryer to the rigid gas supply line. Use an elbow and a 3/8" flare x 3/8" NPT adapter fitting between the stainless steel gas connector and the dryer gas pipe, as needed to prevent kinking.

### Option 2 (Alternate Method)

Approved aluminum or copper tubing:

- Lengths over 20 ft. (6.1 m) can use 3/8" approved tubing (if codes and gas supplier permit).
- If you are using Natural Gas, do not use copper tubing.
- 3/8" flare x 3/8" NPT adapter fitting between dryer pipe and 3/8" approved tubing.
- Lengths over 20 ft. (6.1 m) should use larger tubing and a different size adapter fitting.
- If your dryer has been converted to use LP gas, 3/8" LP compatible copper tubing can be used. If the total length of the supply line is more than 20 ft. (6.1 m), use larger pipe.

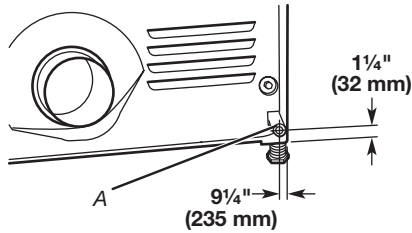
**NOTE:** Pipe joint compounds that resist the action of LP gas must be used. Do not use TEFLON<sup>®†</sup> tape.

†TEFLON is a registered trademark of E.I. Du Pont De Nemours and Company.

## Dryer gas pipe

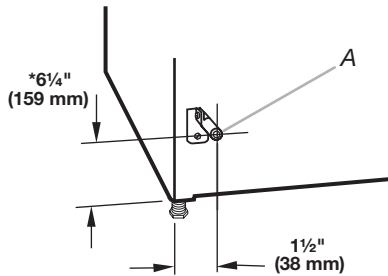
- The gas pipe that comes out through the rear of your dryer has a 3/8" male pipe thread.

### 29" Wide Model



A. 3/8" NPT dryer pipe

### 27" Wide Model



A. 3/8" NPT dryer pipe

## Burner input requirements

### Elevations up to 10,000 ft. (3,048 m):

- The design of this dryer is certified by CSA International for use at altitudes up to 10,000 ft. (3,048 m), above sea level at the B.T.U. rating indicated on the model/serial number plate. Burner input adjustments are not required when the dryer is operated up to this elevation.

### Elevations above 10,000 ft. (3,048 m):

- When installed above 10,000 ft. (3,048 m) a 4% reduction of the burner B.T.U. rating shown on the model/serial number plate is required for each 1,000 ft. (305 m) increase in elevation.

### Gas supply pressure testing

- The dryer must be disconnected from the gas supply piping system during pressure testing at pressures greater than 1/2 psi.

# VENTING

## Venting Requirements

### ⚠ WARNING



#### Fire Hazard

Use a heavy metal vent.

Do not use a plastic vent.

Do not use a metal foil vent.

Failure to follow these instructions can result in death or fire.

**WARNING:** To reduce the risk of fire, this dryer MUST BE EXHAUSTED OUTDOORS.

**IMPORTANT:** Observe all governing codes and ordinances. Dryer exhaust must not be connected into any gas vent, chimney, wall, ceiling, attic, crawlspace, or a concealed space of a building.

### If using an existing vent system

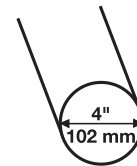
- Clean lint from the entire length of the system and make sure exhaust hood is not plugged with lint.
- Replace any plastic or metal foil vent with rigid heavy metal vent or flexible metal vent.

- Review Vent system chart. Modify existing vent system if necessary to achieve the best drying performance. Only rigid or flexible metal vent shall be used for exhausting.

### If this is a new vent system

#### Vent Material

- Use a heavy metal vent. Do not use plastic or metal foil vent.
- 4" (102 mm) heavy metal exhaust vent and clamps must be used. DURASAFE™ venting products are recommended.



4" (102 mm) heavy metal exhaust vent

DURASAFE™ vent products can be purchased by calling the toll-free number. For further information, please reference the "Assistance or Service" section of the "Dryer User Instructions."

#### Rigid metal vent:

- For best drying performance, rigid metal vents are recommended.
- Rigid metal vent is recommended to avoid crushing and kinking.

#### Flexible metal vent:

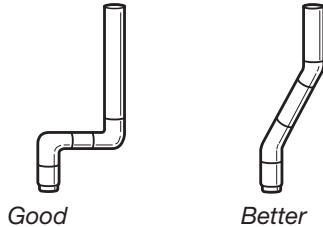
- Flexible metal vents are acceptable only if accessible for cleaning.



- Must be fully extended and supported when the dryer is in its final location.
- Remove excess flexible metal vent to avoid sagging and kinking that may result in reduced airflow and poor performance.
- Do not install flexible metal vent in enclosed walls, ceilings, or floors.
- The total length of flexible metal duct shall not exceed 7¾ ft. (2.4 m).

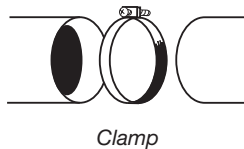
#### Elbows:

- 45° elbows provide better airflow than 90° elbows.



#### Clamps:

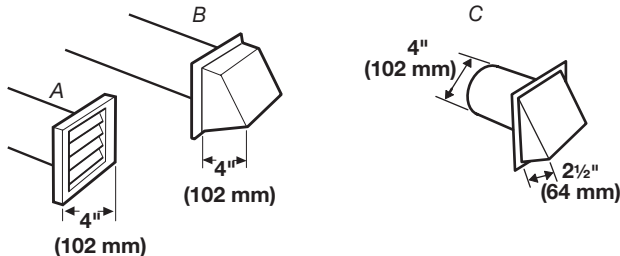
- Use clamps to seal all joints.
- Exhaust vent must not be connected or secured with screws or other fastening devices that extend into interior of duct and catch lint. Do not use duct tape.



#### Exhaust:

##### Recommended hood styles.

##### Acceptable hood style.



- A. Louvered hood style
- B. Box hood style
- C. Angled hood style is acceptable

- An exhaust hood should cap the vent to keep rodents and insects from entering the home.
- Exhaust hood must be at least 12" (305 mm) from the ground or any object that may be in the path of the exhaust (such as flowers, rocks or bushes, snow line, etc.).
- Do not use an exhaust hood with a magnetic latch.

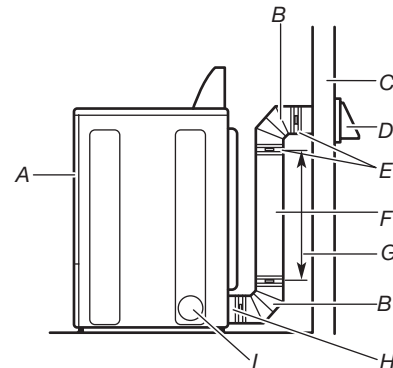
#### Improper venting can cause moisture and lint to collect indoors, which may result in:

- Moisture damage to woodwork, furniture, paint, wallpaper, carpets, etc.
- Housecleaning problems and health problems.

## Plan Vent System

### Recommended exhaust installations

Typical installations vent the dryer from the rear of the dryer. Other installations are possible.



- A. Dryer
- B. Elbow
- C. Wall
- D. Exhaust hood
- E. Clamps
- F. Rigid metal or flexible metal vent
- G. Vent length necessary to connect elbows
- H. Exhaust outlet
- I. Optional side exhaust outlet (27" wide models only)

#### Optional exhaust installations:

27" Wide Models can be converted to exhaust out the right side, left side, or through the bottom. Each kit includes step-by-step instructions. For further information, please reference the "Assistance or Service" section of the "Dryer User Instructions."

## WARNING

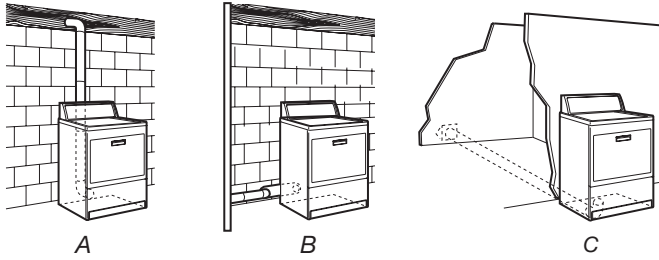


### Fire Hazard

Cover unused exhaust holes with a manufacturer's exhaust cover kit.

Contact your local dealer.

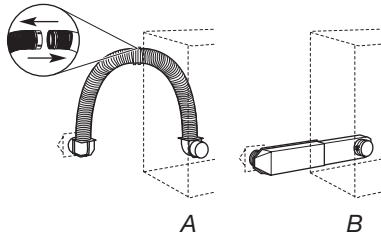
Failure to follow these instructions can result in death, fire, electrical shock, or serious injury.



A. Standard rear offset exhaust installation  
 B. Left or right side exhaust installation (27" wide models only)  
 C. Bottom exhaust installation (27" wide models only)

**Alternate installations for close clearances**

Venting systems come in many varieties. Select the type best for your installation. Two close-clearance installations are shown. Refer to the manufacturer's instructions.



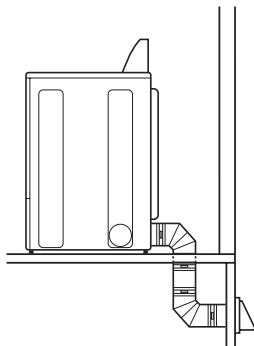
A. Over-The-Top installation (also available with one offset elbow)  
 B. Periscope installation

**NOTE:** The following kits for close clearance alternate installations are available for purchase. Please see the "Assistance or Service" section of the "Dryer User Instructions."

- Over-the-Top Installation:  
Part Number 4396028
- Periscope Installation (For use with dryer vent to wall vent mismatch):  
Part Number 4396037 - 0" (0 mm) to 18" (460 mm) mismatch  
Part Number 4396011 - 18" (460 mm) to 29" (737 mm) mismatch  
Part Number 4396014 - 29" (737 mm) to 50" (1270 mm) mismatch

**Special provisions for mobile home installations:**

The exhaust vent must be securely fastened to a noncombustible portion of the mobile home structure and must not terminate beneath the mobile home. Terminate the exhaust vent outside.



**Determine vent path:**

- Select the route that will provide straightest and most direct path outdoors.
- Plan the installation to use the fewest number of elbows and turns.
- When using elbows or making turns, allow as much room as possible.
- Bend vent gradually to avoid kinking.
- Avoid 90° turns when possible.

**Determine vent length and elbows needed for best drying performance:**

- Use following Vent system chart to determine type of vent material and hood combinations acceptable to use.

**NOTE:** Do not use vent runs longer than those specified in Vent system chart. Exhaust systems longer than those specified will:

- Shorten life of dryer.
- Reduce performance, resulting in longer drying times and increased energy usage.

The Vent system chart provides venting requirements that will help achieve best drying performance.

**Vent System Chart**

Number 90° turns or elbows	Type of vent	Box/louvered hoods	Angled hoods
0	Rigid metal	64 ft. (20 m)	58 ft. (17.7 m)
1	Rigid metal	54 ft. (16.5 m)	48 ft. (14.6 m)
2	Rigid metal	44 ft. (13.4 m)	38 ft. (11.6 m)
3	Rigid metal	35 ft. (10.7 m)	29 ft. (8.8 m)
4	Rigid metal	27 ft. (8.2 m)	21 ft. (6.4 m)

**NOTE:** Side and bottom exhaust installations for 27" wide models have a 90° turn inside the dryer. To determine maximum exhaust length, add one 90° turn to the chart.

**Vent System Chart (29" Wide Long Vent Models Only)**

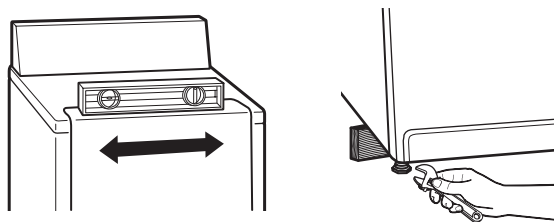
Number 90° turns or elbows	Type of vent	Box, louvered, or angled hoods
0	Rigid metal	120 ft. (36.6 m)
1	Rigid metal	110 ft. (33.5 m)
2	Rigid metal	100 ft. (30.5 m)
3	Rigid metal	90 ft. (27.4 m)
4	Rigid metal	80 ft. (24.4 m)
5	Rigid metal	70 ft. (21.3 m)

## Install Vent System

1. Install exhaust hood. Use caulking compound to seal exterior wall opening around exhaust hood.
2. Connect vent to exhaust hood. Vent must fit inside exhaust hood. Secure vent to exhaust hood with 4" (102 mm) clamp.
3. Run vent to dryer location. Use the straightest path possible. See "Determine vent path" in "Plan Vent System." Avoid 90° turns. Use clamps to seal all joints. Do not use duct tape, screws, or other fastening devices that extend into the interior of the vent to secure vent, because they can catch lint.

## Level Dryer

Check the levelness of the dryer. Check levelness first side to side, then front to back.



If the dryer is not level, prop up the dryer using a wood block. Use a wrench to adjust the legs up or down and check again for levelness.

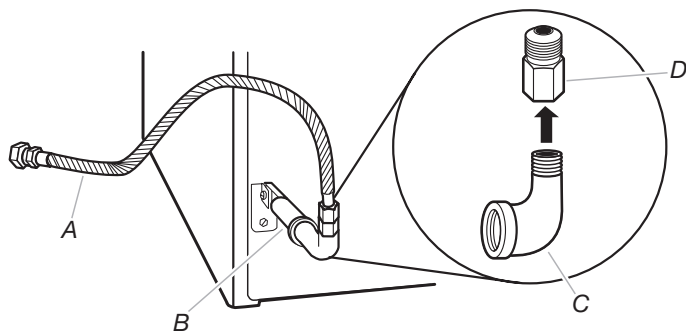
**NOTE:** It might be necessary to level the dryer again after it is moved into its final position.

## Make Gas Connection

1. Remove the red cap from the gas pipe. Move the dryer close to its final position.
2. Using a wrench to tighten, connect the gas supply to the dryer. Use pipe joint compound on all non-flared male threads. If flexible metal tubing is used, be sure there are no kinks.

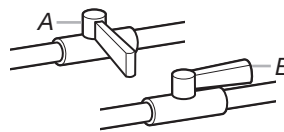
**NOTE:** For LP gas connections, you must use pipe joint compound resistant to the action of LP gas. Do not use TEFLON<sup>®</sup> tape.

A combination of pipe fittings must be used to connect the dryer to the existing gas line. Shown following is a recommended connection. Your connection may be different, according to the supply line type, size, and location.



- A. 3/8" flexible gas connector
- B. 3/8" dryer pipe
- C. 3/8" to 3/8" pipe elbow
- D. 3/8" pipe-to-flare adapter fitting

3. Open the shutoff valve in the supply line. The valve is open when the handle is parallel to the gas pipe.



- A. Closed valve
- B. Open valve

4. Test all connections by brushing on an approved noncorrosive leak-detection solution. Bubbles will show a leak. Correct any leak found.

## Connect Vent

1. Using a 4" (102 mm) clamp, connect vent to exhaust outlet in dryer. If connecting to existing vent, make sure the vent is clean. The dryer vent must fit over the dryer exhaust outlet and inside the exhaust hood. Check that the vent is secured to exhaust hood with a 4" (102 mm) clamp.
2. Move dryer into its final location. Do not crush or kink vent. Make sure dryer is level.
3. (On gas models) Check that there are no kinks in the flexible gas line.
4. Once the exhaust vent connection is made, remove the corner posts and cardboard.

## Complete Installation

1. Check that all parts are now installed. If there is an extra part, go back through the steps to see which step was skipped.
2. Check that you have all of your tools.
3. Dispose of/recycle all packaging materials.
4. Check the dryer's final location. Be sure the vent is not crushed or kinked.
5. Check that the dryer is level. See "Level Dryer."
6. Plug into a grounded 3 prong outlet. Turn on power.
7. Remove the protective film on the console and any tape remaining on the dryer.
8. Wipe the dryer drum interior thoroughly with a damp cloth to remove any dust.
9. Read "Dryer Use" in the "Dryer User Instructions".
10. Set the dryer on a full heat cycle (not an air cycle) for 20 minutes and start the dryer.

**If the dryer will not start, check the following:**

- Dryer is plugged into a grounded 3 prong outlet.
  - Electrical supply is connected.
  - Household fuse is intact and tight, or circuit breaker has not tripped.
  - Dryer door is closed.
11. When the dryer has been running for 5 minutes, open the dryer door and feel for heat. If you feel heat, cancel cycle and close the door.

If you do not feel heat, turn the dryer off and check to see whether gas supply line shutoff valve is open.

- If the gas supply line shutoff valve is closed, open it, then repeat the 5-minute test as outlined above.
- If the gas supply line shutoff valve is open, contact a qualified technician.

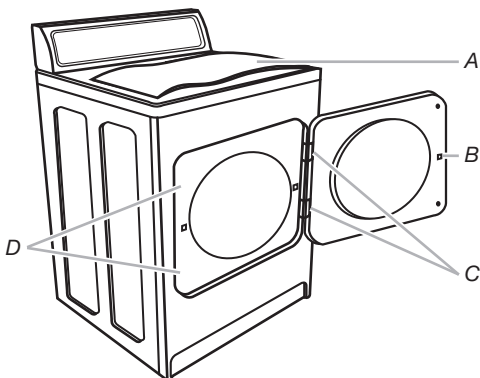
**NOTE:** You may notice an odor when the dryer is first heated. This odor is common when the heating element is first used. The odor will go away.

## Reverse Door Swing (Optional)

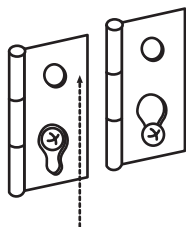
You can change your door swing from a right-side opening to a left-side opening, if desired.

### 29" Wide Models

#### Reversible Large Side Swing Door



1. Place towel (A) on top of dryer to avoid damaging the surface.
2. Open dryer door. Remove bottom screws from cabinet side of hinges (C). Loosen (do not remove) top screws from cabinet side of hinges.
3. Lift door until top screws in cabinet are in large part of hinge slot. Pull door forward off screws. Set door on top of dryer. Remove top screws from cabinet.
4. Use a small, flat-blade screwdriver to gently remove 4 hinge hole plugs (D) on left side of cabinet. Insert plugs into hinge holes on right-hand side of cabinet.
5. Insert screws into bottom holes on left side of cabinet. Tighten screws halfway. Position door so large end of door hinge slot is over screws. Slide door up so screws are in bottom of slots. Tighten screws. Insert and tighten top screws in hinges.

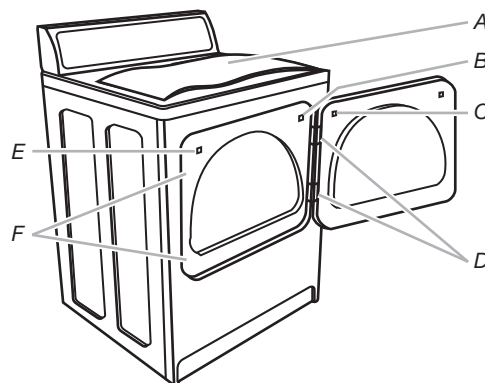


6. Close door and check that door strike aligns with door catch (B). If needed, slide door catch left or right within slot to adjust alignment.

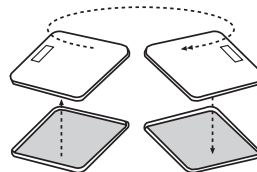
### 29" Wide Models

#### Reversible Super Wide Side-Swing Door

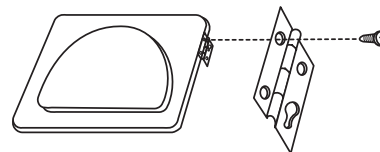
Appearance may vary



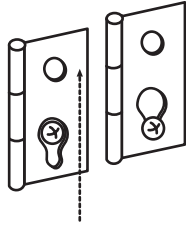
1. Place towel (A) on top of dryer to avoid damaging the surface.
2. Open dryer door. Remove bottom screws from cabinet side of hinges (D). Loosen (do not remove) top screws from cabinet side of hinges.
3. Lift door until top screws in cabinet are in large part of hinge slot. Pull door forward off screws. Set door on top of dryer. Remove top screws from cabinet.
4. Remove screws attaching hinges to door.
5. Remove screws at top, bottom, and side of door (4 screws). Holding door over towel on dryer, grasp sides of outer door and gently lift to separate it from inner door. Do not pry apart with putty knife. Do not pull on door seal or plastic door catches.
6. Be certain to keep cardboard spacer centered between doors. Reattach outer door panel to inner door panel so handle is on the side where hinges were just removed.



7. Attach door hinges to dryer door so that the larger hole is at the bottom of the hinge.



- Remove door strike (E) from cabinet. Use a small, flat-blade screwdriver to gently remove 4 hinge hole plugs (F) on left side of cabinet. Insert plugs into hinge holes on right side of cabinet.
- Insert screws into bottom holes on left side of cabinet. Tighten screws halfway. Position door so large end of door hinge slot is over screws. Slide door up so screws are in bottom of slots. Tighten screws. Insert and tighten top screws in hinges.



- Remove door strike plug (B). Insert the door strike you removed in Step 8 into hole and secure with screw. Insert door strike plug into original door strike hole and secure with screw.
- Close door and check that door strike aligns with door catch (C). If it is needed, slide door catch left or right within slot to adjust alignment.

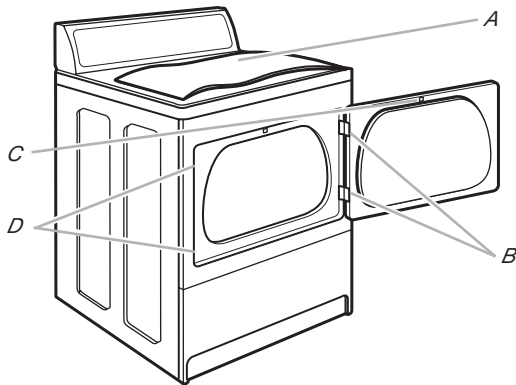
---

## 27" Wide Models

---

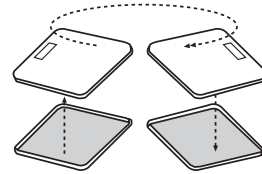
### Reversible Side-Swing Door

*Appearance may vary*

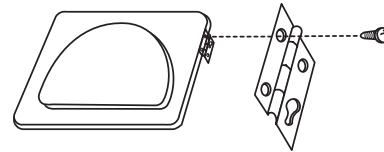


- Place towel (A) on top of dryer to avoid damaging the surface.
- Open dryer door. Remove bottom screws from cabinet side of hinges (B). Loosen (do not remove) top screws from cabinet side of hinges.
- Lift door until top screws in cabinet are in large part of hinge slot. Pull door forward off screws. Set door (handle side up) on top of dryer. Remove top screws from cabinet.
- Remove screws attaching hinges to door.

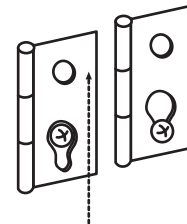
- Remove screws at top, bottom, and side of door (4 screws). Holding door over towel on dryer, grasp sides of outer door and gently lift to separate it from inner door. Do not pry apart with putty knife. Do not pull on door seal or plastic door catches.
- Be certain to keep cardboard spacer centered between doors. Reattach outer door panel to inner door panel so handle is on the side where hinges were just removed.



- Attach door hinges to dryer door so that the larger hole is at the bottom of the hinge.



- Remove the 4 screws that attach 2 plugs (D) on the left side. Attach plugs to right side using the same 4 screws.
- Insert screws into bottom holes on left side of cabinet. Tighten screws halfway. Position door so large end of door hinge slot is over screws. Slide door up so screws are in bottom of slots. Tighten screws. Insert and tighten top screws in hinges.



- Close door and check that door strike aligns with door catch (C). If it is needed, slide door catch left or right within slot to adjust alignment.

# SÉCURITÉ DE LA SÉCHEUSE

## Votre sécurité et celle des autres est très importante.

Nous donnons de nombreux messages de sécurité importants dans ce manuel et sur votre appareil ménager. Assurez-vous de toujours lire tous les messages de sécurité et de vous y conformer.



Voici le symbole d'alerte de sécurité.

Ce symbole d'alerte de sécurité vous signale les dangers potentiels de décès et de blessures graves à vous et à d'autres.

Tous les messages de sécurité suivront le symbole d'alerte de sécurité et le mot "DANGER" ou "AVERTISSEMENT". Ces mots signifient :

 **DANGER**

Risque possible de décès ou de blessure grave si vous ne suivez pas immédiatement les instructions.

 **AVERTISSEMENT**

Risque possible de décès ou de blessure grave si vous ne suivez pas les instructions.

Tous les messages de sécurité vous diront quel est le danger potentiel et vous disent comment réduire le risque de blessure et ce qui peut se produire en cas de non-respect des instructions.



## **AVERTISSEMENT** - "Risque d'incendie"

- L'installation de la sécheuse à linge doit être effectuée par un installateur qualifié.
- Installer la sécheuse conformément aux instructions du fabricant et aux codes locaux.
- Ne pas installer de sécheuse à linge avec des matériaux d'évacuation en plastique souple. Si un conduit métallique souple (de type papier d'aluminium) est installé, celui-ci doit être d'un type spécifique identifié par le fabricant de l'appareil et convenir à une utilisation avec les sécheuses à linge. Les matériaux d'évacuation souples sont connus pour s'affaisser, être facilement écrasés et bloquer la charpie. Ces situations obstrueront le débit d'air de la sécheuse à linge et augmenteront le risque d'incendie.
- Pour réduire le risque de blessure grave ou de décès, suivre toutes les instructions d'installation.
- Conserver ces instructions.

**IMPORTANT** : L'installation du gaz doit se conformer aux codes locaux, ou en l'absence de codes locaux, au National Fuel Gas Code, ANSI Z223.1/NFPA 54.

La sécheuse doit être électriquement reliée à la terre conformément aux codes locaux, ou en l'absence de codes locaux, au Code canadien de l'électricité, ANSI/NFPA 70.

**AVERTISSEMENT : Pour votre sécurité, les renseignements dans ce manuel doivent être observés pour réduire au minimum les risques d'incendie ou d'explosion ou pour éviter des dommages au produit, des blessures ou un décès.**

- **Ne pas entreposer ou utiliser de l'essence ou d'autres vapeurs ou liquides inflammables à proximité de cet appareil ou de tout autre appareil électroménager.**
- **QUE FAIRE DANS LE CAS D'UNE ODEUR DE GAZ :**
  - **Ne pas tenter d'allumer un appareil.**
  - **Ne pas toucher à un commutateur électrique; ne pas utiliser le téléphone se trouvant sur les lieux.**
  - **Évacuer tous les gens de la pièce, de l'édifice ou du quartier.**
  - **Appeler immédiatement le fournisseur de gaz du téléphone d'un voisin. Suivre ses instructions.**
  - **À défaut de joindre votre fournisseur de gaz, appeler les pompiers.**
- **L'installation et l'entretien doivent être effectués par un installateur qualifié, une agence de service ou le fournisseur de gaz.**

**AVERTISSEMENT :** L'odorat ne permet pas toujours la détection d'une fuite de gaz.

Les distributeurs de gaz recommandent l'emploi d'un détecteur de gaz (homologation UL ou CSA).

Pour d'autre information, contacter le fournisseur de gaz local.

En cas de détection d'une fuite de gaz, exécuter les instructions "Que faire dans le cas d'une odeur de gaz".

### IMPORTANTES INSTRUCTIONS DE SÉCURITÉ

**AVERTISSEMENT :** Pour réduire le risque d'incendie, de choc électrique ou de blessure lors de l'utilisation de la sècheuse, il convient d'observer certaines précautions élémentaires dont les suivantes :

- Lire toutes les instructions avant d'utiliser la sècheuse.
- Ne pas placer des articles exposés aux huiles de cuisson dans votre sècheuse. Les articles contaminés par des huiles de cuisson peuvent contribuer à une réaction chimique qui pourrait causer à la charge de s'enflammer.
- Ne pas faire sécher dans la machine des articles qui ont déjà été nettoyés, lavés, imbibés, ou tachés d'essence, de solvants pour nettoyage à sec, d'autres substances inflammables, ou de substances explosives puisqu'elles dégagent des vapeurs qui peuvent provoquer un incendie ou une explosion.
- Ne pas permettre à des enfants de jouer sur ou à l'intérieur de la sècheuse. Une surveillance étroite est nécessaire lorsque la sècheuse est utilisée près d'eux.
- Avant d'enlever la sècheuse du service ou la jeter, enlever la porte du compartiment de séchage.
- Ne pas mettre la main dans la sècheuse si le tambour est en mouvement.
- Ne pas installer ni entreposer la sècheuse où elle sera exposée aux intempéries.
- Ne pas jouer avec les commandes.
- Ne pas réparer ni remplacer une pièce de la sècheuse ou essayer d'en faire l'entretien à moins d'une recommandation spécifique dans le guide d'utilisation et d'entretien, ou publiée dans les instructions de réparation par l'utilisateur que vous comprenez et pouvez exécuter avec compétence.
- Ne pas utiliser un produit assouplissant de tissu ou des produits pour éliminer la statique à moins qu'ils ne soient recommandés par le fabricant du produit assouplissant de tissu ou du produit.
- Ne pas utiliser la chaleur pour faire sécher des articles fabriqués avec du caoutchouc mousse ou des matériaux semblables.
- Nettoyer le filtre à charpie avant et après chaque charge.
- Ne pas laisser la charpie, la poussière, ou la saleté s'accumuler autour du système d'évacuation ou autour de l'appareil.
- Un nettoyage périodique de l'intérieur de la sècheuse et du conduit d'évacuation doit être effectué par une personne qualifiée.
- Voir les instructions d'installation pour les exigences de liaison de l'appareil à la terre.

**CONSERVEZ CES INSTRUCTIONS**

Dans l'État du Massachusetts, les instructions d'installation suivantes sont applicables :

- Les travaux d'installation et réparation doivent être exécutés par un plombier ou tuyauteur qualifié ou licencié, ou par le personnel qualifié d'une entreprise licenciée par l'État du Massachusetts.
- Si une vanne à boisseau sphérique est utilisée, elle doit comporter une manette "T".
- Si un conduit de raccordement flexible est utilisé, sa longueur ne doit pas dépasser 3 pi.

Avertissements de la proposition 65 de l'État de Californie :

AVERTISSEMENT : Ce produit contient un produit chimique connu par l'État de Californie pour être à l'origine de cancers.

AVERTISSEMENT : Ce produit contient un produit chimique connu par l'État de Californie pour être à l'origine de malformations et autres déficiences de naissance.

### **IMPORTANTES INSTRUCTIONS DE SÉCURITÉ**

Avant de jeter ou de ranger votre vieille sècheuse, enlever la porte.

**CONSERVEZ CES INSTRUCTIONS**



# EXIGENCES D'INSTALLATION

## Outillage et Pièces

Rassembler les outils et composants nécessaires avant d'entreprendre l'installation. Lire et suivre les instructions fournies avec chacun des outils de la liste ci-dessous.

- Tournevis à lame plate
- Tournevis Phillips n° 2
- Clé à molette avec ouverture jusqu'à 1" (25 mm) ou clé à douille à tête hexagonale (pour le réglage des pieds de la sècheuse)
- Niveau
- Pince
- Brides de serrage
- Tourne-écrou de 1/4" ou clé à douille (recommandé)
- Cisaille de ferblantier (pour l'installation d'un nouveau conduit)
- Pistolet à calfeutrage et composé de calfeutrage (pour l'installation d'un nouveau conduit d'évacuation)
- Mètre ruban
- Couteau utilitaire

## Installations au gaz

- Clé à tuyau de 8" ou 10"
- Clé à molette de 8" ou 10"
- Composé d'étanchéité des raccords filetés – résistant au gaz propane

## Pièces fournies :

Le sachet de pièces se trouve dans le tambour de la sècheuse. Vérifier que toutes les pièces sont présentes.



Pieds de nivellement (4)

## Pièces nécessaires :

Consulter les codes locaux. Vérifier l'alimentation électrique et le circuit d'évacuation existants. Voir "Spécifications électriques" et "Exigences concernant l'évacuation" avant d'acheter les pièces.

Pour les installations en résidence mobile, le circuit d'évacuation nécessite des matériaux métalliques. Pour plus d'informations, consulter la section "Assistance ou service" dans "Instructions d'utilisation de la sècheuse".

## Exigences d'emplacement

### ⚠ AVERTISSEMENT



#### Risque d'explosion

**Garder les matières et les vapeurs inflammables, telle que l'essence, loin de la sècheuse.**

**Placer la sècheuse au moins 460 mm (18 po) au-dessus du plancher pour une installation dans un garage.**

**Le non-respect de ces instructions peut causer un décès, une explosion ou un incendie.**

#### Il vous faudra :

- Un emplacement permettant une évacuation appropriée. Voir "Exigences concernant l'évacuation".
- Un circuit distinct de 30 ampères pour les sècheuses électriques.
- Un circuit distinct de 15 ou 20 ampères pour les sècheuses à gaz.
- Si on utilise un cordon d'alimentation, une prise électrique avec liaison à la terre située à moins de 2 pi (610 mm) de l'un des côtés de la sècheuse. Voir "Spécifications électriques".
- Un plancher robuste capable de supporter le poids de la sècheuse (sècheuse et charge) de 200 lb. (90,7 kg). Il faut aussi prendre en compte le poids combiné d'un appareil ménager voisin.
- Un plancher de niveau ayant une pente maximale de 1" (25 mm) sous l'ensemble de la sècheuse. Si la pente est supérieure à 1" (25 mm), installer un ensemble de pieds d'extension pour sècheuse, pièce n° 279810. Si la sècheuse n'est pas d'aplomb, le linge peut ne pas culbuter convenablement, et les programmes automatiques de détection peuvent ne pas fonctionner correctement.

Ne pas faire fonctionner la sècheuse à une température inférieure à 45°F (7°C). À des températures inférieures, la sècheuse risque de ne plus s'arrêter à la fin d'un programme automatique. Les temps de séchage risquent alors d'augmenter.

La sècheuse ne doit pas être installée ou remisee dans un endroit où elle sera exposée à l'eau et/ou aux intempéries.

Vérifier les règlements locaux. Certains codes limitent ou n'autorisent pas l'installation des sècheuses dans un garage, un placard, une maison mobile ou une chambre à coucher. Communiquer avec l'inspecteur des bâtiments local.

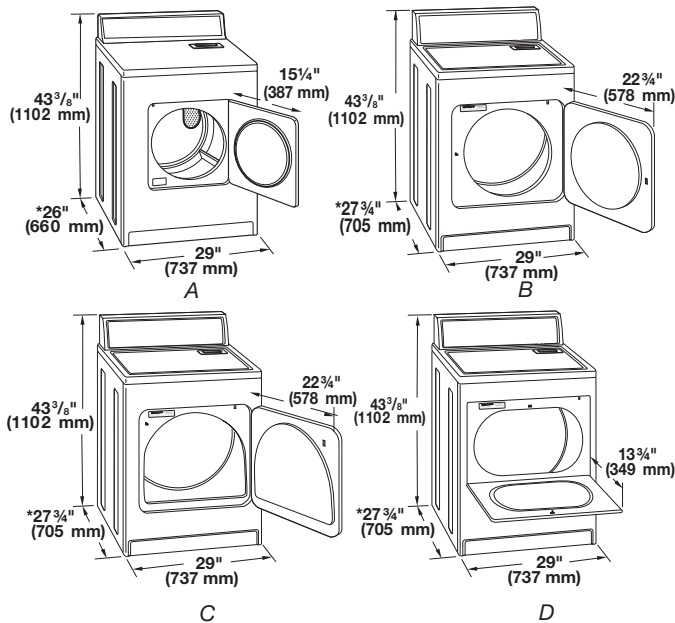
**REMARQUE :** Aucun autre appareil consommant un combustible ne doit être installé dans le même placard que la sècheuse.

## E spacements d'installation :

L'emplacement doit être assez grand pour permettre d'ouvrir complètement la porte de la sècheuse.

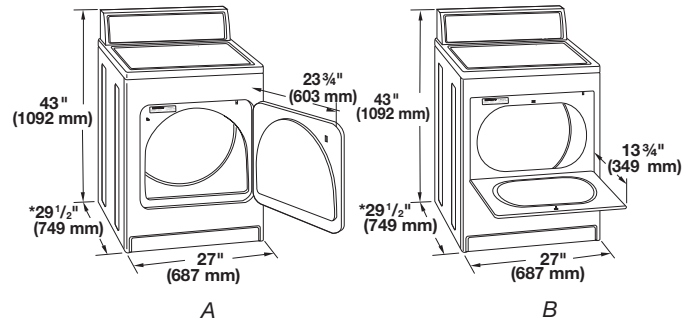
La plupart des installations requièrent un espace minimum de 5½" (140 mm) derrière la sècheuse pour le conduit d'évacuation avec coude. Voir "Exigences concernant l'évacuation".

## Modèles de 29" de largeur Dimensions de sècheuse



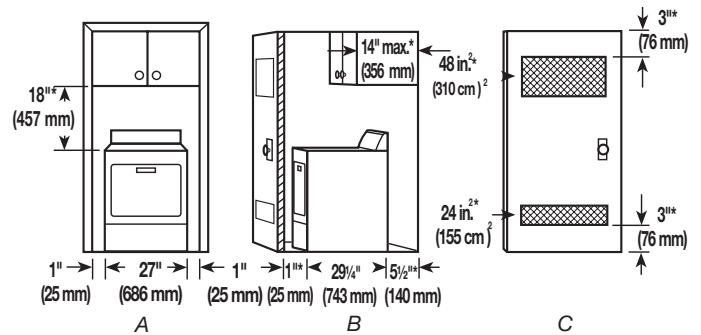
A. Porte à pivotement latéral à petite ouverture  
B. Porte à pivotement latéral à grande ouverture  
C. Porte à pivotement latéral à grande ouverture  
D. Porte rabattable à grande ouverture

## Modèles de 27" de largeur Dimensions de sècheuse



A. Porte à pivotement latéral à large ouverture  
B. Porte rabattable à large ouverture

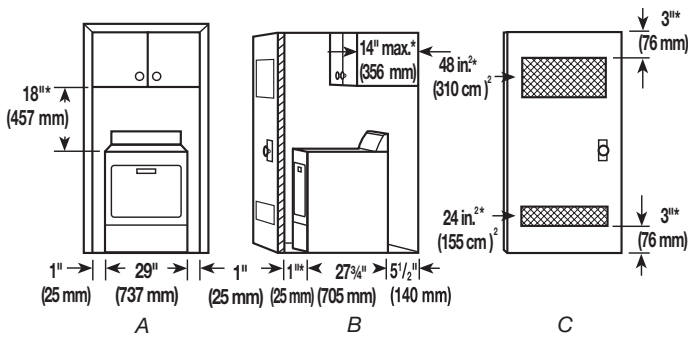
## E spacement pour une installation



A. Encastrement  
B. Vue latérale - placard ou endroit exigü  
C. Porte du placard avec orifices d'entrée d'air

\*E spacement requis

## E spacement pour une installation



A. Encastrement  
B. Vue latérale - placard ou endroit exigü  
C. Porte du placard avec orifices d'entrée d'air

\*E spacement requis

## E spacement pour une installation dans un encastrement ou dans un placard

Les dimensions correspondent à l'espace minimum permis.

- Prévoir davantage d'espace pour faciliter l'installation et l'entretien.
- Un espace supplémentaire peut être requis pour les moulures de porte et de plancher et pour les plinthes.
- Un espace supplémentaire 1" (25 mm) doit être envisagé de tous les côtés de la sècheuse afin de réduire le transfert de bruit.
- Pour installation dans un placard avec porte, on doit prévoir des ouvertures minimums d'entrée d'air en haut et en bas de la porte. Les portes à claire-voie offrant des ouvertures équivalentes de passage de l'air sont acceptables.
- Il faut aussi prendre en compte l'espace requis entre les appareils voisins.

## Installation dans une maison mobile – exigences supplémentaires

Cette sècheuse peut être installée dans une maison mobile. L'installation doit satisfaire aux critères du Manufactured Home Construction and Safety Standard, Titre 24 CFR, Partie 3280 (anciennement Federal Standard for Mobile Home Construction and Safety, Titre 24, HUD Partie 280) ou du Canadian Manufactured Home Standard CAN/CSA-Z240 MH.

## Autres critères à respecter pour une installation en résidence mobile :

- Un matériel d'évacuation métallique, disponible à l'achat. Pour plus d'informations, consulter la section "Assistance ou service" dans "Instructions d'utilisation de la sècheuse".
- Il faut prendre des dispositions spéciales dans les maisons mobiles pour l'apport d'air de l'extérieur dans la sècheuse. L'ouverture (telle qu'une fenêtre à proximité) devrait être au moins deux fois plus grande que l'ouverture de décharge de la sècheuse.

# RACCORDEMENT À L'ALIMENTATION ÉLECTRIQUE DE LA SÈCHEUSE - CANADA SEULEMENT

## Spécifications Électriques

### ⚠ AVERTISSEMENT



#### Risque de choc électrique

**Brancher sur une prise à 4 alvéoles reliée à la terre.**

**Le non-respect de cette instruction peut causer un décès ou un choc électrique.**

### C'est à l'utilisateur qu'incombe la responsabilité de :

- Contacter un électricien qualifié.
- S'assurer que le raccordement électrique est adéquat et conforme au Code canadien de l'électricité, C22.1 – dernière édition, et à tous les codes locaux en vigueur. Pour obtenir un exemplaire des normes des codes ci-dessus, contacter : Canadian Standards Association, 178 Rexdale Blvd., Toronto, ON M9W 1R3 CANADA.
- L'appareil doit être alimenté uniquement par un circuit monophasé de 120/240 V CA seulement, 60 Hz à 4 fils, sur un circuit séparé de 30 ampères, fusionné aux deux extrémités de la ligne. On recommande d'utiliser un fusible ou un disjoncteur temporisé. On recommande également que cet appareil soit alimenté par un circuit indépendant.
- Cette sècheuse est équipée d'un cordon d'alimentation homologué par la CSA International à introduire dans une prise murale standard 14-30R. Le cordon mesure 5 pi (1,52 m). Veiller à ce que la prise murale se trouve à proximité de l'emplacement définitif de la sècheuse.



Prise murale à 4 fils (14-30R)

- Ne pas utiliser de câble de rallonge.

En cas d'utilisation d'un cordon d'alimentation de rechange, il est conseillé d'utiliser le cordon d'alimentation de rechange - pièce numéro 3394208. Pour plus d'information, consulter la section "Assistance ou service" dans "Instructions d'utilisation de la sècheuse".

### INSTRUCTIONS DE LIAISON À LA TERRE

- Pour une sècheuse reliée à la terre et connectée par un cordon :

Cette sècheuse doit être reliée à la terre. En cas de mauvais fonctionnement ou de panne, la liaison à la terre réduira le risque de choc électrique en offrant au courant électrique un acheminement d'évacuation de moindre résistance. Cette sècheuse est alimentée par un cordon électrique comportant un conducteur relié à la terre et une fiche de branchement munie d'une broche de liaison à la terre. La fiche doit être branchée sur une prise appropriée qui est bien installée et reliée à la terre conformément à tous les codes et règlements locaux.

**AVERTISSEMENT :** Le raccordement incorrect de cet appareil au conducteur de liaison à la terre peut susciter un risque de choc électrique. En cas de doute quant à la qualité de liaison à la terre de la sècheuse, consulter un électricien ou un technicien ou un personnel qualifié. Ne pas modifier la fiche de branchement fournie avec la sècheuse; si la fiche ne correspond pas à la configuration de la prise de courant, demander à un électricien qualifié d'installer une prise de courant appropriée.

### CONSERVEZ CES INSTRUCTIONS

# INSTALLATION DES PIEDS DE NIVELLEMENT

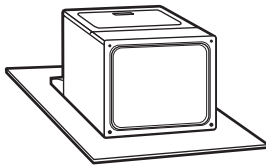
## **⚠ AVERTISSEMENT**

### Risque du poids excessif

Utiliser deux ou plus de personnes pour déplacer et installer la sècheuse.

Le non-respect de cette instruction peut causer une blessure au dos ou d'autre blessure.

1. Pour éviter d'endommager le plancher, utiliser un grand morceau de carton plat découpé dans l'emballage de la sècheuse. Placer le carton sous tout le bord arrière de la sècheuse. Voir l'illustration.
2. Saisir fermement la sècheuse par la caisse (et non pas le panneau de commande). Incliner soigneusement la sècheuse sur le carton. Voir l'illustration.



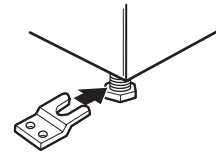
3. Inspecter les pieds de nivellement. Identifier la marque en losange.



4. Introduire manuellement les vis des pieds dans les trous. Utiliser une clé à mollette pour visser les pieds jusqu'à ce que le symbole de repérage (losange) ne soit plus visible.
5. Placer une cornière de carton sous chacun des angles arrière de la sècheuse. Redresser la sècheuse. Faire glisser la sècheuse sur les cornières jusqu'à ce qu'elle soit proche de son emplacement final. Laisser suffisamment d'espace pour connecter le conduit d'évacuation.
6. Une fois que le raccordement est effectué et que la sècheuse se trouve à son emplacement définitif, ôter les cornières et le carton.

### Pour utilisation en maison mobile

Les sècheuses à gaz doivent être solidement fixées au plancher.



Les installations en maison mobile nécessitent un ensemble d'ancrage au sol pour installation en maison mobile. Pour le processus de commande, consulter les "Instructions d'utilisation de la sècheuse".

# RACCORDEMENT D'UNE SÈCHEUSE À GAZ

## Spécifications de l'alimentation en gaz

## **⚠ AVERTISSEMENT**



### Risque d'explosion

Utiliser une canalisation neuve d'arrivée de gaz approuvée par CSA International.

Installer un robinet d'arrêt.

Bien serrer chaque organe de connexion de la canalisation de gaz.

En cas de connexion au gaz propane, demander à une personne qualifiée de s'assurer que la pression de gaz ne dépasse pas 330 mm (13 po) de la colonne d'eau.

Par personne qualifiée, on comprend :

le personnel autorisé de chauffage,  
le personnel autorisé d'une compagnie de gaz, et  
le personnel d'entretien autorisé.

Le non-respect de ces instructions peut causer un décès, un explosion ou un incendie.

## Type de gaz

### Gaz naturel :

Cette sècheuse est équipée pour une alimentation au gaz naturel. Sa conception est homologuée par CSA International pour l'alimentation au gaz de pétrole liquéfié (propane ou butane), avec conversion appropriée.

- Cette sècheuse doit être équipée du brûleur convenable, correspondant au gaz spécifique qui alimente l'habitation. L'information sur le brûleur se trouve sur la plaque signalétique dans le logement de la porte de la sècheuse. Si ces renseignements ne correspondent pas au type de gaz disponible, contacter votre marchand ou composer les numéros de téléphone indiqués sur la page de garde des "Instructions d'utilisation de la sècheuse".

### Conversion pour l'alimentation au propane :

#### Un technicien qualifié doit effectuer la conversion.

Ne pas entreprendre de convertir la sècheuse pour l'utilisation d'un gaz différent de celui indiqué sur la plaque signalétique sans d'abord consulter la compagnie de gaz.

**IMPORTANT :** L'installation au gaz doit être conforme aux codes locaux, ou en l'absence de codes locaux, au Code National d'alimentation au gaz, à la norme ANSI Z223.1/NFPA 54 ou au Code canadien des installations au gaz naturel et au propane, CSA-B149.1.

## Canalisation de gaz

- Un tuyau IPS de 1/2" est recommandé.
- Pour les longueurs inférieures à 20 pi (6,1 m), on peut utiliser des tuyaux approuvés de 3/8" dans la mesure où les codes locaux et le fournisseur de gaz l'autorisent.
- La canalisation doit comprendre un connecteur obturé (filetage NPT de 1/8" ou plus) accessible pour le raccordement de l'instrument de mesure immédiatement en amont de la connexion d'alimentation en gaz de la sécheuse (voir l'illustration).
- La canalisation doit comprendre un robinet d'arrêt.

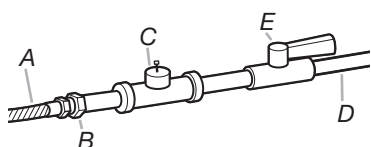
### Aux États-Unis :

Un robinet d'arrêt individuel manuel doit être installé à six (6) pi (1,8 m) maximum de la sécheuse, conformément au Code national d'alimentation au gaz, ANSI Z223.1.

### Au Canada :

Un robinet d'arrêt individuel manuel doit être installé conformément à la norme B149.1 du Code des installations au gaz naturel ou propane. On recommande que le robinet d'arrêt manuel individuel soit installé à 6 pi (1,8 m) maximum de la sécheuse.

Le robinet d'arrêt doit être facilement accessible pour l'ouverture et la fermeture.



- A. Connecteur de gaz flexible de 3/8"
- B. Adaptateur de tuyau au joint conique de 3/8"
- C. Connecteur obturé (filetage NPT de 1/8" ou plus)
- D. Canalisation de gaz (NPT de 1/2")
- E. Robinet d'arrêt du gaz

## Exigences concernant le raccordement au gaz

Cette sécheuse à gaz peut être raccordée au gaz de nombreuses façons différentes. Voir ci-dessous quelques directives pour deux méthodes de raccordement différentes.

### Option 1 (méthode recommandée)

Raccord à gaz en acier inoxydable souple :

- Si les codes locaux le permettent, utiliser un raccord neuf en acier inoxydable souple (conception homologuée par l'American Gas Association ou par CSA International) pour raccorder la sécheuse à la canalisation rigide d'alimentation en gaz. Selon le besoin, utiliser un coude et un adaptateur de 3/8" x tuyau NPT de 3/8" entre le raccord de gaz flexible et la canalisation de gaz de la sécheuse, pour éviter toute déformation.

### Option 2 (méthode alternative)

Conduit d'aluminium ou de cuivre approuvé :

- Pour les longueurs supérieures à 20 pi (6,1 m), on peut utiliser des conduits approuvés de 3/8" (si les codes et le fournisseur de gaz le permettent).
- Pour le gaz naturel, ne pas utiliser de conduits en cuivre.
- Adaptateur de 3/8" x tuyau NPT de 3/8" entre le conduit de la sécheuse et le tuyau approuvé de 3/8".

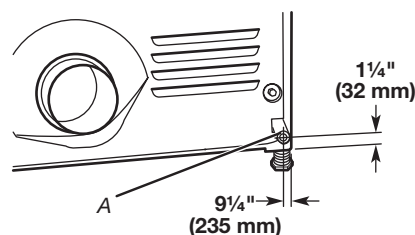
- Pour les longueurs supérieures à 20 pi (6,1 m), on doit utiliser des tuyaux plus gros et un adaptateur de calibre différent.
- Si la sécheuse a été convertie pour une utilisation au propane, on peut utiliser un tuyau en cuivre pour propane compatible de 3/8". Si la longueur totale de la canalisation d'alimentation en gaz est supérieure à 20 pi (6,1 m), utiliser un conduit de taille supérieure.

**REMARQUE :** On doit utiliser un composé d'étanchéité des tuyauteries résistant à l'action du gaz de pétrole liquéfié. Ne pas utiliser de ruban adhésif TEFLON®†.

## Canalisation d'arrivée de gaz de la sécheuse

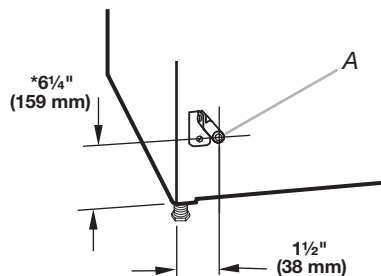
- La canalisation d'arrivée de gaz sortant à l'arrière de la sécheuse est dotée d'un filetage mâle de 3/8".

### Modèle de 29" de largeur



A. Conduit NPT de la sécheuse de 3/8"

### Modèle de 27" de largeur



A. Conduit NPT de la sécheuse de 3/8"

## Caractéristiques d'alimentation du brûleur

### Altitudes inférieures ou égales à 10 000 pi (3 048 m) :

- La conception de cette sécheuse a été homologuée par CSA International pour une utilisation jusqu'à une altitude de 10 000 pieds (3 048 m) au-dessus du niveau de la mer pour le débit thermique indiqué sur la plaque signalétique. Aucun réglage du brûleur n'est nécessaire lorsque la sécheuse est utilisée à une altitude inférieure à cette valeur maximale.

### Altitudes supérieures à 10 000 pieds (3 048 m) :

- Si la sécheuse doit être utilisée à une altitude supérieure à 10 000 pieds (3 048 m), on doit réduire de 4 % le débit thermique du brûleur indiqué sur la plaque signalétique pour chaque tranche de 1 000 pieds (305 m) d'augmentation de l'altitude.

### Épreuve sous pression de l'alimentation en gaz

- La sécheuse doit être déconnectée du système de canalisations d'alimentation en gaz lors de tout test de pression à des pressions plus élevées que 1/2 lb/po<sup>2</sup>.

†TEFLON est une marque déposée de E.I. Du Pont De Nemours et Compagnie.

# ÉVACUATION

## Exigences concernant l'évacuation

### ⚠ AVERTISSEMENT



#### Risque d'incendie

- Utiliser un conduit d'évacuation en métal lourd.
- Ne pas utiliser un conduit d'évacuation en plastique.
- Ne pas utiliser un conduit d'évacuation en feuille de métal.
- Le non-respect de ces instructions peut causer un décès ou un incendie.

**AVERTISSEMENT :** Pour réduire le risque d'incendie, cette sècheuse doit ÉVACUER L'AIR À L'EXTÉRIEUR.

**IMPORTANT :** Respecter les dispositions de tous les codes et règlements en vigueur. Le conduit d'évacuation de la sècheuse ne doit pas être connecté à une évacuation de gaz, une cheminée, un mur, un plafond, un grenier, un vide sanitaire ou un vide de construction.

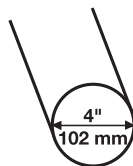
### En cas d'utilisation du système d'évacuation existant

- Éliminer la charpie sur toute la longueur du système et veiller à ce que le clapet de décharge ne soit pas obstrué par une accumulation de charpie.
- Remplacer tout conduit de plastique ou de feuille métallique par un conduit de métal lourd rigide ou souple.
- Examiner le tableau de longueur du conduit d'évacuation. Apporter les modifications nécessaires au système d'évacuation pour atteindre le meilleur rendement de séchage. Seul un conduit en métal flexible ou rigide doit être utilisé pour l'évacuation.

### En cas de nouveau système d'évacuation

#### Matériel pour l'évacuation

- Utiliser un conduit d'évacuation en métal lourd. Ne pas utiliser un conduit de plastique ou en aluminium.
- Utiliser un conduit d'évacuation en métal lourd de 4" (102 mm) et des brides de serrage. Les produits d'évacuation DURASAFE™ sont recommandés.



Conduit d'évacuation en métal lourd de 4" (102 mm)

Il est possible d'acheter les produits d'évacuation DURASAFE™ en appelant le numéro sans frais. Pour plus d'informations, consulter la section "Assistance ou service" dans "Instructions d'utilisation de la sècheuse".

#### Conduit métallique rigide :

- Pour un meilleur rendement de séchage, on recommande d'utiliser des conduits métalliques rigides.
- On recommande d'utiliser un conduit métallique rigide pour réduire les risques d'écrasement et de déformation.

#### Conduit métallique flexible :

- Les conduits métalliques flexibles sont acceptables seulement dans la mesure où ils sont accessibles en vue du nettoyage.
- Un conduit métallique flexible doit être totalement déployé et soutenu lorsque la sècheuse est à sa position finale.
- Enlever tout excès de conduit flexible pour éviter tout affaissement ou déformation susceptible de réduire la capacité d'évacuation et le rendement.
- Ne pas installer le conduit métallique flexible dans les cavités fermées des murs, plafonds ou planchers.
- La longueur totale du conduit métallique flexible ne doit pas excéder 7¾ pi (2,4 m).

#### Coudes :

- Les coudes à 45° permettent une meilleure circulation de l'air que les coudes à 90°.



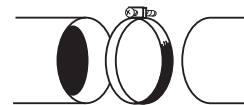
Bon



Meilleur

#### Brides de serrage :

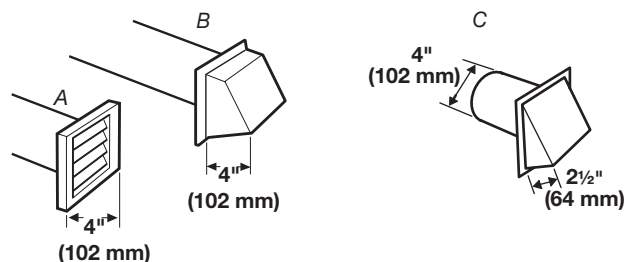
- Utiliser des brides de serrage pour sceller toutes les jointures.
- Le conduit d'évacuation ne doit pas être connecté ou fixé avec des vis ou avec tout autre dispositif de serrage qui se prolonge à l'intérieur du conduit et où la charpie risque de s'accrocher. Ne pas utiliser de ruban adhésif pour conduit.



Bride de serrage

#### Évacuation :

#### Types de clapets recommandés Type de clapet acceptable



- A. Clapet à persiennes
- B. Clapet de type boîte
- C. Clapet incliné acceptable

- Terminer le conduit d'évacuation par un clapet de décharge pour empêcher les rongeurs et insectes d'entrer dans l'habitation.
- Le clapet de décharge doit être situé à au moins 12" (305 mm) au-dessus du sol ou de tout autre objet susceptible de se trouver sur le trajet de l'air humide rejeté (par exemple, fleurs, roches ou arbustes, limite de la neige, etc.)
- Ne pas utiliser un clapet d'évacuation à fermeture magnétique.

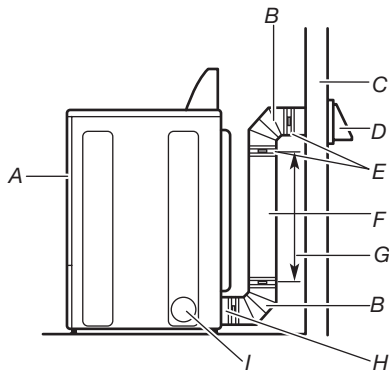
**Une mauvaise évacuation de l'air peut causer de l'humidité et une accumulation de charpie à l'intérieur de la maison, ce qui peut provoquer :**

- Dommages par l'humidité aux boiseries, meubles, peinture, papier-peint, tapis, etc.
- Problèmes de nettoyage dans la maison et problèmes de santé.

## Planification du système d'évacuation

### Installations d'évacuation recommandées :

Les installations typiques consistent à acheminer le conduit d'évacuation à l'arrière de la sécheuse. D'autres installations sont possibles.



- |                       |  |
|-----------------------|--|
| A. Sécheuse           | F. Conduit métallique rigide ou souple   |
| B. Coude              | G. Longueur de conduit nécessaire pour raccorder les coudes                        |
| C. Mur                | H. Bouche de décharge  |
| D. Clapet de décharge | I. Sortie d'évacuation latérale facultative (modèles de 27" de largeur uniquement) |
| E. Brides             |  |

### Installations d'évacuation facultatives :

Les modèles de 27" de largeur peuvent être convertis pour évacuer par le côté droit, le côté gauche ou par le bas. Chaque ensemble comporte des instructions étape par étape. Pour plus d'informations, consulter la section "Assistance ou service" dans "Instructions d'utilisation de la sécheuse".

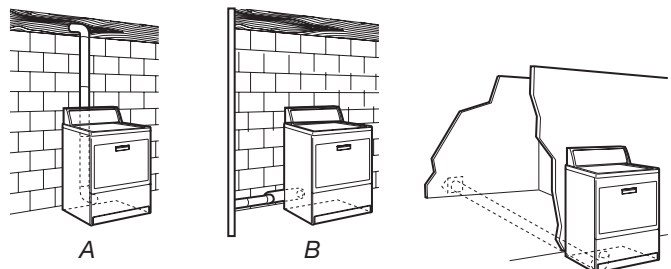
# ⚠ AVERTISSEMENT

### Risque d'incendie

**Recouvrir tous les orifices d'évacuation non utilisés avec une trousse du fabricant.**

**Contactez votre marchand local.**

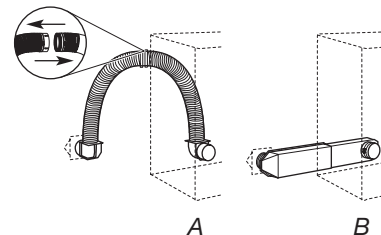
**Le non-respect de ces instructions peut causer un décès, un incendie, un choc électrique ou une blessure grave.**



- A. Décalage arrière standard de l'installation d'évacuation  
 B. Installation avec évacuation par la gauche ou par la droite (modèles de 27" de largeur uniquement)  
 C. Installation avec évacuation par le bas (modèles de 27" de largeur uniquement)

### Autres installations d'évacuation où le dégagement est réduit

Il existe de nombreux types de systèmes d'évacuation. Choisir le type qui convient le mieux à l'installation. Deux installations à dégagement réduit sont illustrées. Voir les instructions du fabricant.



- A. Installation au-dessus de la sécheuse (aussi disponible avec un coude décalé)  
 B. Installation de périscope

**REMARQUE :** On peut acheter les trousse suivantes pour les installations où le dégagement est réduit. Veuillez consulter la section "Assistance ou service" dans les "Instructions d'utilisation de la sécheuse".

- Installation au-dessus de la sécheuse :  
Pièce numéro 4396028

- Installation de périscope (pour l'utilisation en cas de nonconcordance du conduit d'évacuation de la sècheuse avec le conduit d'évacuation mural) :

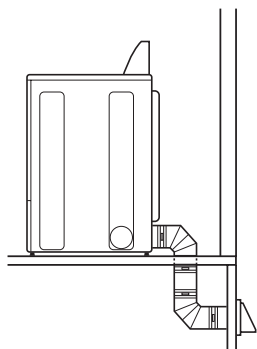
Pièce numéro 4396037 - 0" (0 mm) à 18" (460 mm) de décalage

Pièce numéro 4396011 - 18" (460 mm) à 29" (737 mm) de décalage

Pièce numéro 4396014 - 29" (737 mm) à 50" (1270 mm) de décalage

### Dispositions spéciales pour les maisons mobiles :

Le système d'évacuation doit être solidement fixé à une section non combustible de la structure de la maison mobile et ne doit pas se terminer en dessous de celle-ci. Acheminer le conduit d'évacuation vers l'extérieur.



### Déterminer l'itinéraire d'acheminement du conduit :

- Choisir l'itinéraire d'acheminement vers l'extérieur qui sera le plus direct et le plus rectiligne.
- Planifier l'installation pour introduire le nombre minimal de coudes et de changements de direction.
- Si des coudes ou changements de direction sont utilisés, prévoir autant d'espace que possible.
- Plier le conduit graduellement pour éviter de le déformer.
- Utiliser le moins possible de changements de direction à 90°.

### Déterminer la longueur du conduit et les coudes nécessaires pour un séchage optimal :

- Utiliser le tableau des systèmes d'évacuation ci-dessous pour déterminer les matériaux de conduits et combinaisons de clapets acceptables.

**REMARQUE :** Ne pas utiliser un conduit de longueur supérieure à la valeur spécifiée dans le tableau des systèmes d'évacuation. Si la longueur du circuit est supérieure à la valeur spécifiée dans le tableau, on observera :

- Une réduction de la longévité de la sècheuse.
- Une réduction du rendement, avec temps de séchage plus longs et une plus grande consommation d'énergie.

Le tableau des systèmes d'évacuation fournit les exigences d'évacuation qui vous aideront à atteindre la meilleure performance de séchage.

### Tableau des systèmes d'évacuation

Nombre de coudes à 90°	Type de conduit d'évacuation	Clapets de type boîte/à persiennes	Clapets inclinés
0	Métallique rigide	64 pi (20 m)	58 pi (17,7 m)
1	Métallique rigide	54 pi (16,5 m)	48 pi (14,6 m)
2	Métallique rigide	44 pi (13,4 m)	38 pi (11,6 m)
3	Métallique rigide	35 pi (10,7 m)	29 pi (8,8 m)
4	Métallique rigide	27 pi (8,2 m)	21 pi (6,4 m)

**REMARQUE :** Les installations avec évacuation par le côté ou par le bas pour les modèles de 27" de largeur comportent un changement de direction à 90° à l'intérieur de la sècheuse. Pour établir la longueur maximale du conduit, ajouter un changement de direction à 90° au tableau.

### Tableau des systèmes d'évacuation (modèles de conduits longs de 29" de largeur uniquement)

Nombre de coudes à 90°	Type de conduit d'évacuation	Clapets de type boîte, à persiennes ou inclinés
0	Métallique rigide	120 ft. (36,6 m)
1	Métallique rigide	110 ft. (33,5 m)
2	Métallique rigide	100 ft. (30,5 m)
3	Métallique rigide	90 ft. (27,4 m)
4	Métallique rigide	80 ft. (24,4 m)
5	Métallique rigide	70 ft. (21,3 m)

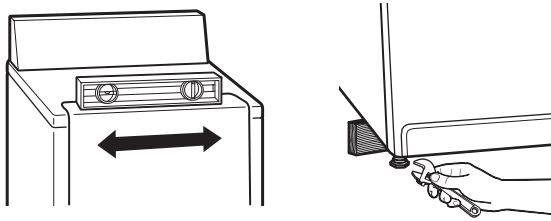
### Installation du circuit d'évacuation

1. Installer un clapet d'évacuation. Calfeutrer l'ouverture murale à l'extérieur autour du clapet d'évacuation.
2. Raccorder le conduit d'évacuation au clapet. Le conduit doit pouvoir pénétrer dans le clapet d'évacuation. Fixer ensemble le conduit et le clapet avec une bride de 4" (102 mm).
3. Acheminer le conduit d'évacuation jusqu'à l'emplacement de la sècheuse, utiliser l'itinéraire le plus rectiligne possible. Voir "Déterminer l'itinéraire d'acheminement du conduit" dans "Planification du système d'évacuation". Éviter les changements de direction à 90°. Utiliser des brides de serrage pour sceller toutes les jointures. Ne pas utiliser de ruban adhésif pour conduit, de vis ou autres dispositifs de fixation qui se prolongeraient à l'intérieur du conduit pour fixer le conduit, car la charpie pourrait s'y accrocher.



## Réglage de l'aplomb de la sècheuse

Vérifier l'aplomb de la sècheuse d'un côté à l'autre. Répéter l'opération de l'avant vers l'arrière.



Si la sècheuse n'est pas d'aplomb, la relever à l'aide d'un bloc de bois, utiliser une clé pour ajuster les pieds vers le haut ou vers le bas, et vérifier à nouveau si elle est d'aplomb.

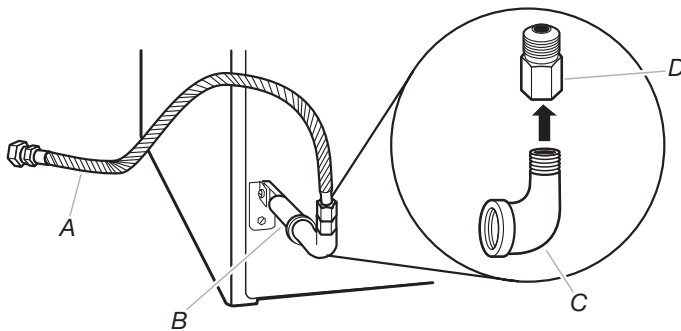
**REMARQUE :** Il peut être nécessaire de mettre à nouveau de niveau la sècheuse une fois qu'on l'installe à son emplacement définitif.

## Raccordement au gaz

1. Retirer le capuchon rouge de la canalisation de gaz. Placer la sècheuse à proximité de son emplacement définitif.
2. À l'aide d'une clé pour serrer, raccorder l'alimentation en gaz à la sècheuse. Utiliser un composé d'étanchéité des tuyauteries sur tous les filetages des raccords mâles non coniques. Si on utilise un conduit métallique souple, veiller à ce qu'il ne soit pas déformé.

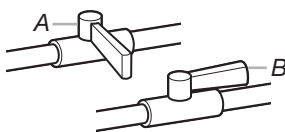
**REMARQUE :** Pour les raccordements au propane, on doit utiliser un composé d'étanchéité résistant à l'action du propane. Ne pas utiliser de ruban adhésif TEFLON®.

On doit utiliser une combinaison de raccords de tuyauterie pour raccorder la sècheuse à l'alimentation en gaz existante. L'illustration présente un raccordement recommandé. Le raccordement peut varier selon le type, la taille et l'emplacement de la canalisation d'alimentation.



- A. Raccord flexible de gaz de 3/8"
- B. Conduit de la sècheuse de 3/8"
- C. Coude de 3/8" par 3/8"
- D. Adaptateur entre le conduit et le joint conique de 3/8"

3. Ouvrir le robinet d'arrêt de la canalisation d'alimentation; le robinet est ouvert lorsque la manette est parallèle à la canalisation de gaz.



A. Robinet fermé  
B. Robinet ouvert

4. Vérifier ensuite tous les raccordements en les badigeonnant d'une solution de détection des fuites non corrosive approuvée. L'apparition de bulles indique la présence d'une fuite. Réparer toute fuite éventuelle.

## Raccordement du conduit d'évacuation

1. À l'aide d'une bride de serrage de 4" (102 mm), relier le conduit d'évacuation à la bouche d'évacuation de la sècheuse. Si on utilise le conduit d'évacuation existant, s'assurer qu'il est propre. Le conduit d'évacuation de la sècheuse doit être fixé par-dessus la bouche d'évacuation de la sècheuse, et à l'intérieur du clapet d'évacuation. Vérifier que le conduit d'évacuation est fixé au clapet d'évacuation à l'aide d'une bride de serrage de 4" (102 mm).
2. Déplacer la sècheuse à son emplacement final, en faisant attention à ne pas déformer ou écraser le conduit d'évacuation. S'assurer que la sècheuse est d'aplomb.
3. (Sur les modèles à gaz) Vérifier que la canalisation souple de gaz n'est pas déformée.
4. Une fois que le conduit d'évacuation est raccordé, retirer les cornières et le carton.

## Achever l'installation

1. Vérifier que toutes les pièces sont maintenant installées. S'il reste une pièce, passer en revue les différentes étapes pour découvrir laquelle aurait été oubliée.
2. Vérifier la présence de tous les outils.
3. Éliminer/recycler les matériaux d'emballage.
4. Vérifier l'emplacement définitif de la sècheuse. S'assurer que le conduit d'évacuation n'est pas écrasé ou déformé.
5. Vérifier que la sècheuse est d'aplomb. Voir "Réglage de l'aplomb de la sècheuse".
6. Brancher sur une prise de courant à 3 alvéoles, reliée à la terre. Mettre l'appareil sous tension.
7. Retirer la pellicule protectrice sur le panneau de commande et tout ruban adhésif resté sur la sècheuse.
8. Essuyer soigneusement l'intérieur du tambour de la sècheuse avec un chiffon humide pour éliminer toute trace de poussière.
9. Lire la section "Utilisation de la sècheuse" dans "Instructions d'utilisation de la sècheuse".
10. Régler la sècheuse pour un programme de séchage complet (pas le programme de séchage à l'air) de 20 minutes et mettre la sècheuse en marche.

**Si la sècheuse ne démarre pas, vérifier ce qui suit :**

- La sècheuse est branchée dans une prise à trois broches reliée à la terre.
  - L'alimentation électrique est branchée.
  - Les fusibles du domicile sont intacts et serrés; le disjoncteur n'est pas déclenché.
  - La porte de la sècheuse est fermée.
11. Après 5 minutes de fonctionnement, ouvrir la porte de la sècheuse et voir s'il y a de la chaleur. Si de la chaleur est détectée, annuler le programme et fermer la porte.

Si on ne perçoit aucune chaleur, arrêter la sècheuse et vérifier que le robinet d'arrêt de la canalisation de gaz est ouvert.

- Si le robinet d'arrêt de la canalisation de gaz est fermé, l'ouvrir, puis répéter le test de 5 minutes décrit ci-dessus.

- Si le robinet d'arrêt de la canalisation de gaz est ouvert, contacter un technicien qualifié.

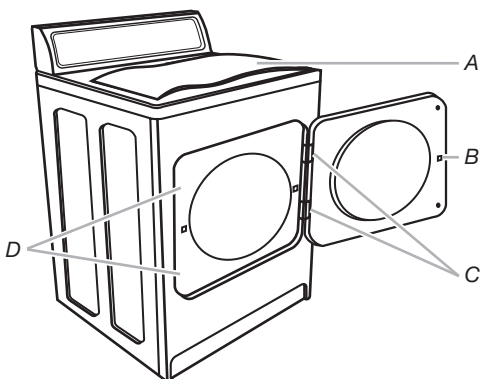
**REMARQUE :** Il est possible que la sècheuse dégage une odeur lors du chauffage initial. Cette odeur est normale lorsque l'élément chauffant est utilisé pour la première fois. L'odeur disparaîtra.

## Inversion du sens d'ouverture de la porte (facultatif)

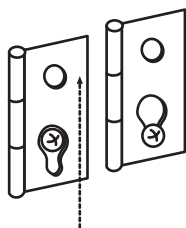
On peut changer l'ouverture de la porte du côté droit au côté gauche si désiré.

### Modèles de 29" de largeur

#### Grande porte réversible à pivotement latéral



1. Placer une serviette (A) sur la sècheuse pour éviter d'endommager la surface.
2. Ouvrir la porte de la sècheuse. Ôter les vis inférieures fixant les charnières (C) sur la caisse. Desserrer (sans les ôter) les vis supérieures fixant les charnières sur la caisse.
3. Soulever la porte suffisamment pour que les vis supérieures de la caisse se trouvent dans la partie élargie des trous des charnières. Tirer la porte vers l'avant pour la dégager des vis. Placer la porte sur le dessus de la sècheuse. Ôter les vis supérieures de la caisse.
4. Utiliser un petit tournevis à lame plate pour ôter soigneusement quatre bouchons d'obturation (D) du côté gauche de la caisse. Insérer les bouchons dans les trous de charnières du côté droit de la caisse.
5. Insérer les vis dans les trous inférieurs du côté gauche de la caisse. Serrer les vis à moitié. Placer la porte de telle sorte que la partie élargie du trou de charnière se trouve au-dessus des vis. Glisser la porte vers le haut de sorte que les vis se trouvent au bas des fentes. Serrer les vis. Insérer les vis supérieures dans les charnières et les serrer.

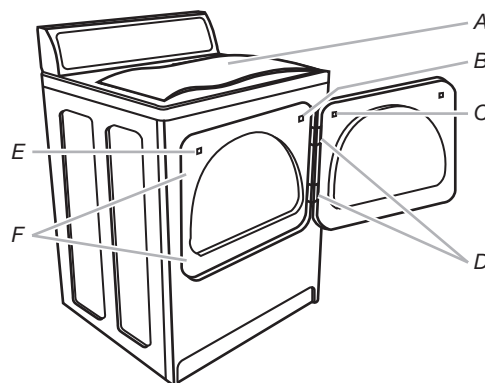


6. Fermer la porte et vérifier que la gâche de la porte est alignée avec le loquet (B) de la porte. Au besoin, déplacer la gâche de la porte vers la gauche ou la droite dans son logement pour ajuster l'alignement.

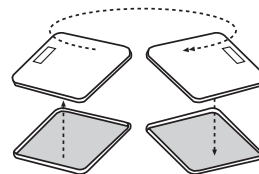
### Modèles de 29" de largeur

#### Porte réversible extra-large à pivotement latéral

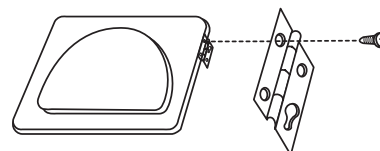
*L'apparence peut varier*



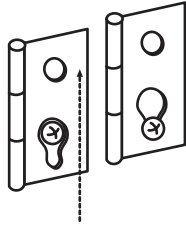
1. Placer une serviette (A) sur la sècheuse pour éviter d'endommager la surface.
2. Ouvrir la porte de la sècheuse. Ôter les vis inférieures fixant les charnières (D) sur la caisse. Desserrer (sans les ôter) les vis supérieures fixant les charnières sur la caisse.
3. Soulever la porte suffisamment pour que les vis supérieures de la caisse se trouvent dans la partie élargie des trous des charnières. Tirer la porte vers l'avant pour la dégager des vis. Placer la porte (poignée vers le haut) sur le dessus de la sècheuse. Ôter les vis supérieures de la caisse.
4. Enlever les vis qui fixent les charnières sur la porte.
5. Enlever les vis au sommet, en bas et sur le côté de la porte (4 vis). En tenant la porte au-dessus de la serviette sur la sècheuse, saisir les côtés de la section externe de la porte et soulever prudemment pour la séparer de la section interne de la porte. Ne pas essayer de séparer les deux sections avec un couteau à mastic. Ne pas tirer sur le joint de la porte ou sur les loquets de plastique de la porte.
6. Veiller à maintenir la plaque de carton d'espacement centrée entre les deux sections de la porte. Réassembler la section externe et la section interne de la porte de telle manière que la poignée soit orientée du côté où les charnières viennent d'être enlevées.



7. Fixer les charnières de porte à la porte de la sècheuse de façon à ce que le trou le plus gros se trouve dans la partie inférieure de la charnière.



- Enlever la gâche de la porte (E) de la caisse. Utiliser un petit tournevis à lame plate pour ôter soigneusement 4 bouchons d'obturation (F) du côté gauche de la caisse. Insérer les bouchons dans les trous de charnière du côté droit de la caisse.
- Insérer les vis dans les trous inférieurs du côté gauche de la caisse. Serrer les vis à moitié. Placer la porte de telle sorte que la partie élargie du trou de charnière se trouve au-dessus des vis. Glisser la porte vers le haut de telle sorte que les vis se trouvent au bas des fentes. Serrer les vis. Insérer les vis supérieures dans les charnières et les serrer.

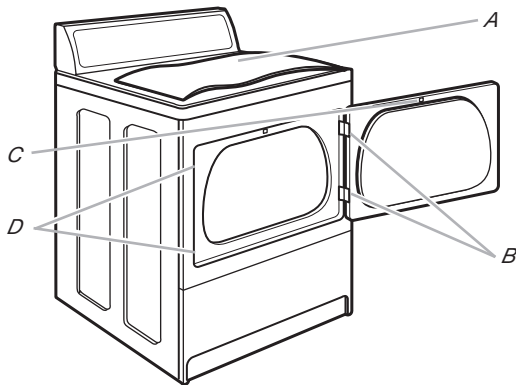


- Enlever le bouchon d'obturation de la gâche de la porte (B). Insérer dans le trou la gâche qui a été enlevée à l'étape 8; fixer la gâche avec la vis. Insérer le bouchon d'obturation de la gâche dans le trou d'où la gâche avait été initialement extraite; fixer le bouchon avec la vis.
- Fermer la porte; vérifier que la gâche de la porte est alignée avec le loquet (C). Au besoin, déplacer la gâche de la porte vers la gauche ou vers la droite dans son logement pour ajuster l'alignement.

## Modèles de 27" de largeur

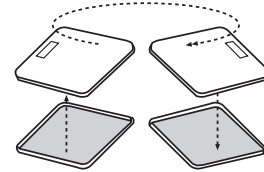
### Porte à ouverture latérale réversible

L'apparence peut varier

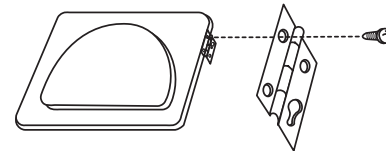


- Placer une serviette (A) sur la sécheuse pour éviter d'endommager la surface.
- Ouvrir la porte de la sécheuse. Ôter les vis inférieures fixant les charnières (B) sur la caisse. Desserrer (sans les ôter) les vis supérieures fixant les charnières sur la caisse.
- Soulever la porte suffisamment pour que les vis supérieures de la caisse se trouvent dans la partie élargie des trous des charnières. Tirer la porte vers l'avant pour la dégager des vis. Placer la porte (poignée vers le haut) sur le dessus de la sécheuse. Ôter les vis supérieures de la caisse.
- Enlever les vis qui fixent les charnières sur la porte.

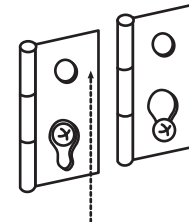
- Enlever les vis au sommet, en bas et sur le côté de la porte (4 vis). En tenant la porte au-dessus de la serviette sur la sécheuse, saisir les côtés de la section externe de la porte et soulever prudemment pour la séparer de la section interne de la porte. Ne pas essayer de séparer les deux sections avec un couteau à mastic. Ne pas tirer sur le joint de la porte ou sur le loquet de plastique de la porte.
- Veiller à maintenir la plaque de carton d'espacement centrée entre les deux sections de la porte. Réassembler la section externe et la section interne de la porte de telle manière que la poignée soit orientée du côté où les charnières viennent d'être enlevées.



- Fixer les charnières de porte à la porte de la sécheuse de façon à ce que le trou le plus gros se trouve dans la partie inférieure de la charnière.



- Ôter les 4 vis fixant les 2 bouchons d'obturation (D) sur le côté gauche. Fixer les bouchons d'obturation sur le côté droit à l'aide des mêmes 4 vis.
- Insérer les vis dans les trous inférieurs du côté gauche de la caisse. Serrer les vis à moitié. Placer la porte de telle sorte que la partie élargie du trou de charnière se trouve au-dessus des vis. Glisser la porte vers le haut de telle sorte que les vis se trouvent au bas des fentes. Serrer les vis. Insérer les vis supérieures dans les charnières et les serrer.



- Fermer la porte; vérifier que la gâche de la porte est alignée avec le loquet (C). Au besoin, déplacer la gâche de la porte vers la gauche ou vers la droite dans son logement pour ajuster l'alignement.

**W10296135A**  
**W10296136A-SP**

© 2009. All rights reserved.  
Tous droits réservés.

DURASAFE is a trademark of Whirlpool, U.S.A., Whirlpool Canada LP Licensee in Canada  
DURASAFE est une marque de commerce de Whirlpool, U.S.A., Emploi licencié par Whirlpool Canada LP au Canada

11/09  
Printed in U.S.A.  
Imprimé aux É.-U.

## Free Manuals Download Website

<http://myh66.com>

<http://usermanuals.us>

<http://www.somanuals.com>

<http://www.4manuals.cc>

<http://www.manual-lib.com>

<http://www.404manual.com>

<http://www.luxmanual.com>

<http://aubethermostatmanual.com>

Golf course search by state

<http://golfingnear.com>

Email search by domain

<http://emailbydomain.com>

Auto manuals search

<http://auto.somanuals.com>

TV manuals search

<http://tv.somanuals.com>