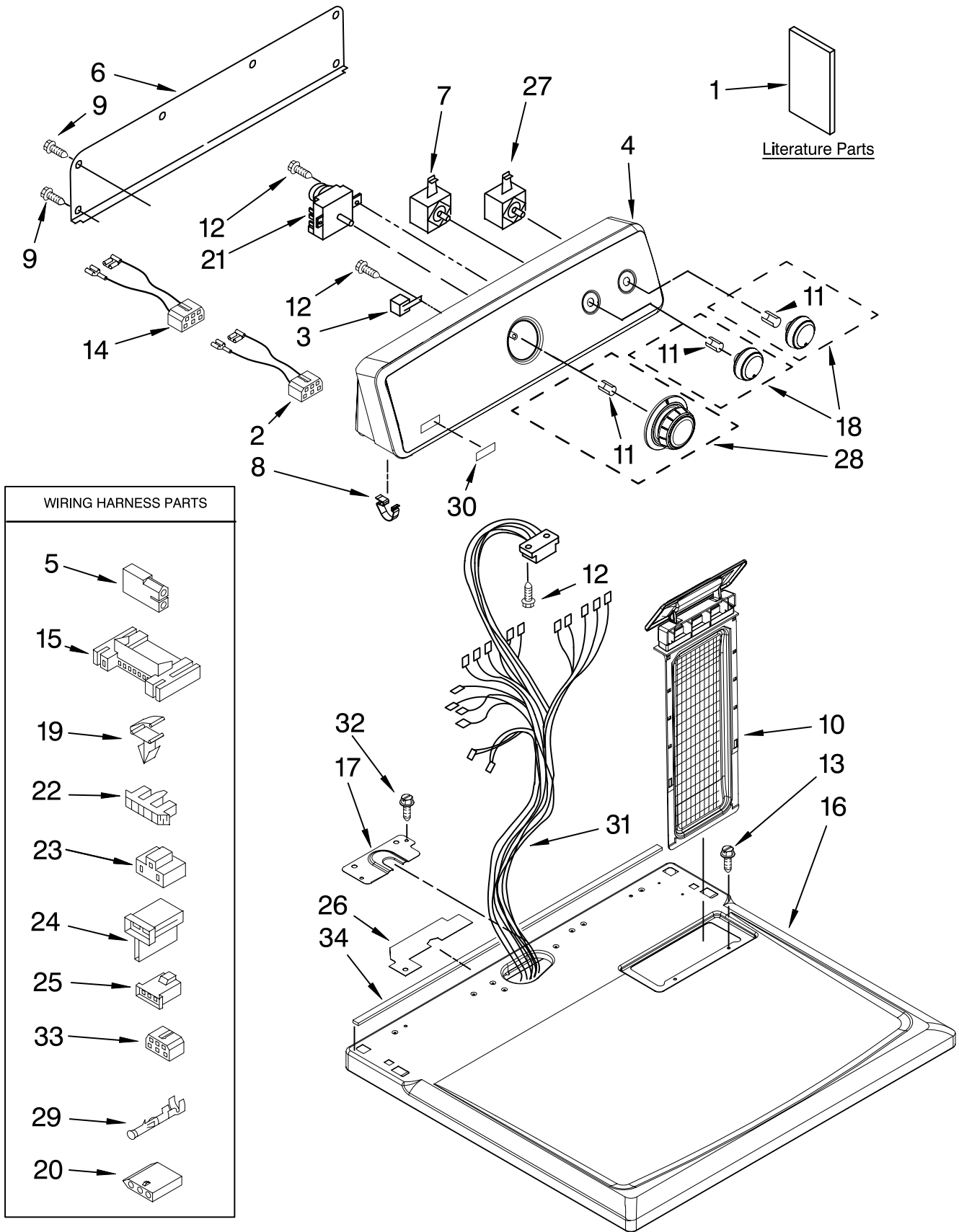


TOP AND CONSOLE PARTS

For Model: MGD5600TQ0
(White)

29" GAS DRYER



WIRING HARNESS PARTS

- 5 → [Component 5]
- 15 → [Component 15]
- 19 → [Component 19]
- 22 → [Component 22]
- 23 → [Component 23]
- 24 → [Component 24]
- 25 → [Component 25]
- 33 → [Component 33]
- 29 → [Component 29]
- 20 → [Component 20]

FOR ORDERING INFORMATION REFER TO PARTS PRICE LIST

TOP AND CONSOLE PARTS

For Model: MGD5600TQ0
(White)

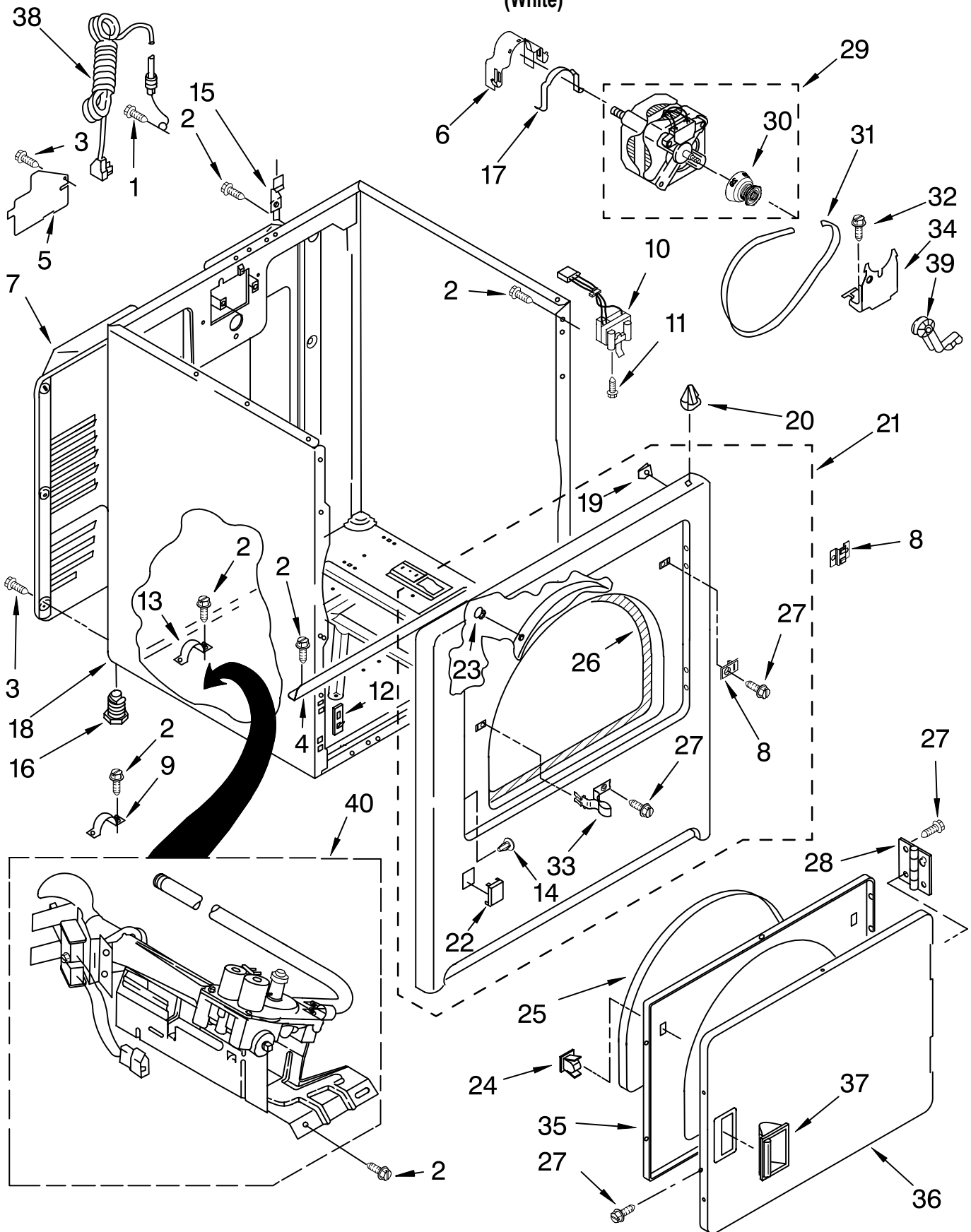
Illus. No.	Part No.	DESCRIPTION	Illus. No.	Part No.	DESCRIPTION	Illus. No.	Part No.	DESCRIPTION
1		Literature Parts	9	693995	Screw, Hex Washer Head	24	3403499	Connector, 2-Position (Gas Valve)
	W10088775	Use & Care Guide	10	8565972	Screen, Lint			
	8578217	Wiring Diagram	11	8536939	Clip, Spring	25	3403498	Connector, 3-Position (Gas Valve)
	W10089170	Sheet, Cycle Feature	12	8533971	Screw, 8-18 x 5/16			
2	W10113080	Wire, Jumper Mini-Buzzer	13	688983	Screw, 8-18 x 5/8	26	W10118608	Seal, Harness
3	694419	Buzzer, Mini	14	W10110861	Wire, Jumper (Temperature)	27	W10117655	Switch, Push-To-Start
4	W10086704	Console & Shell Assembly (Includes Items 8 & 30)	15	3395683	Connector (Motor)	28	W10110030	Timer-Knob Assembly
5	717252	Plug, 2-Way Terminal	16	W10112597	Top	29	94614	Terminal, Female
6	W10112576	Panel, Rear Console	17	8565981	Bracket, Harness	30	W10112569	Badge-Assembly
7	3399639	Switch, Temperature	18	W10110029	Knob, Control (2)	31	W10110866	Harness, Wiring
8	8312709	Clip-Console (2)	19	3394427	Clip-Harness	32	337686	Screw, 8-18 x 1/2
			20	3936144	Connector	33	3347243	Connector 6-Circuit
			21	8299765	Timer Assembly (60 Hz.)	34	W10112267	Seal, Foam Console Bracket
			22	3397269	Connector-Timer			
			23	3401144	Connector, (PTS Relay)			

FOR ORDERING INFORMATION REFER TO PARTS PRICE LIST

CABINET PARTS

For Model: MGD5600TQ0

(White)



FOR ORDERING INFORMATION REFER TO PARTS PRICE LIST

CABINET PARTS

For Model: MGD5600TQ0
(White)

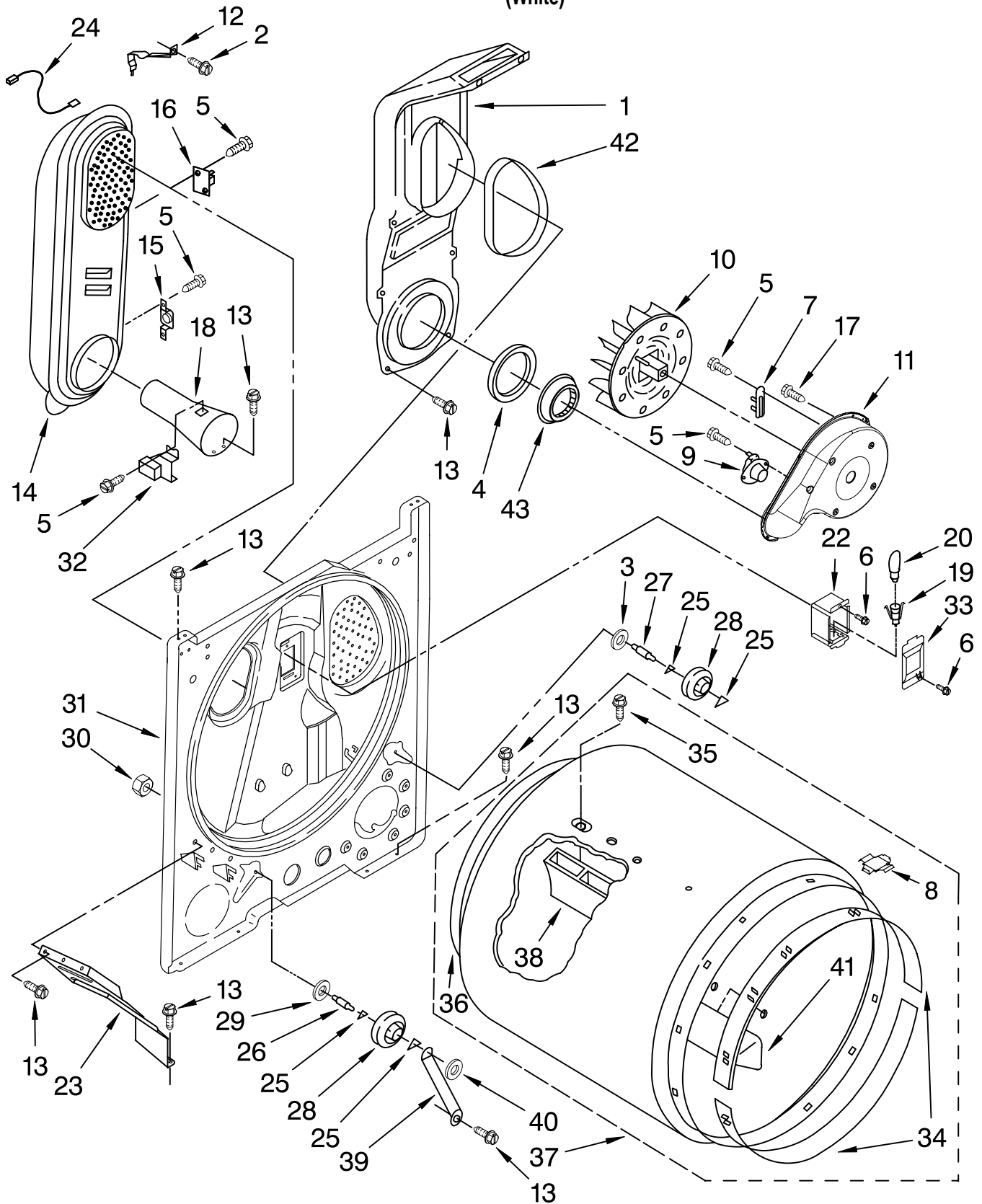
Illus. No.	Part No.	DESCRIPTION	Illus. No.	Part No.	DESCRIPTION	Illus. No.	Part No.	DESCRIPTION
1	697776	Screw, 10–32 x 5/8 (External Ground)	16	3392100	Foot, Dryer	28	3405514	Hinge, Door
2	343641	Screw, 10–16 x 1/2		279810	Foot–Optional (Extended Length)	29	8066206	Motor Assembly
3	693995	Screw, Hex Head			(Package of 2)	30	8066184	Pulley–60 Hz.
4	8541400	Bracket, Cabinet			(Not Included.)	31	W10131364	Belt, Drive
5	3396795	Cover, Block	17	660658	Clamp, Motor	32	3400500	Bolt, 5/16–18 x 3/4
6	3404162	Clamp, Motor (W/Shield)	18	8530603	Cabinet (Includes Item 4)	33	3403431	Strike, Panel
7	3396805	Panel, Rear	19	98234	Clip, Ground (2)	34	348780	Base, Motor
8	3403630	Clip,	20	690363	Lock, Front Top (2)	35	3402341	Door, Rear
9	3980175	Clamp–Elbow	21	3403447	Panel Front	36	3402335	Door, Front
10	3406107	Door Switch Assembly	22	3394975	Plug, Front Panel	37	8565970	Handle, Door
11	697773	Screw, 6–20 x 7/8	23	685203	Clip, Felt Pad (2)	38	344020	Cord, Power
12	3394083	Clip, Front Panel	24	3389441	Catch, Door Assembly	39	691366	Idler & Pulley Assembly
13	341029	Clamp, Pipe	25	3405246	Seal, Door	40	8318272	Burner Assembly, 60 Hz.
14	3404413	Plug–Hole	26	3406129	Seal & Bearing Assembly			(See Pages 7 & 8 For Further Burner Breakdown)
15	8066217	Hinge, Top (2)	27	342055	Screw, 8–18 x 1/2			

FOR ORDERING INFORMATION REFER TO PARTS PRICE LIST

BULKHEAD PARTS

For Model: MGD5600TQ0

(White)



FOR ORDERING INFORMATION REFER TO PARTS PRICE LIST

BULKHEAD PARTS

For Model: MGD5600TQ0
(White)

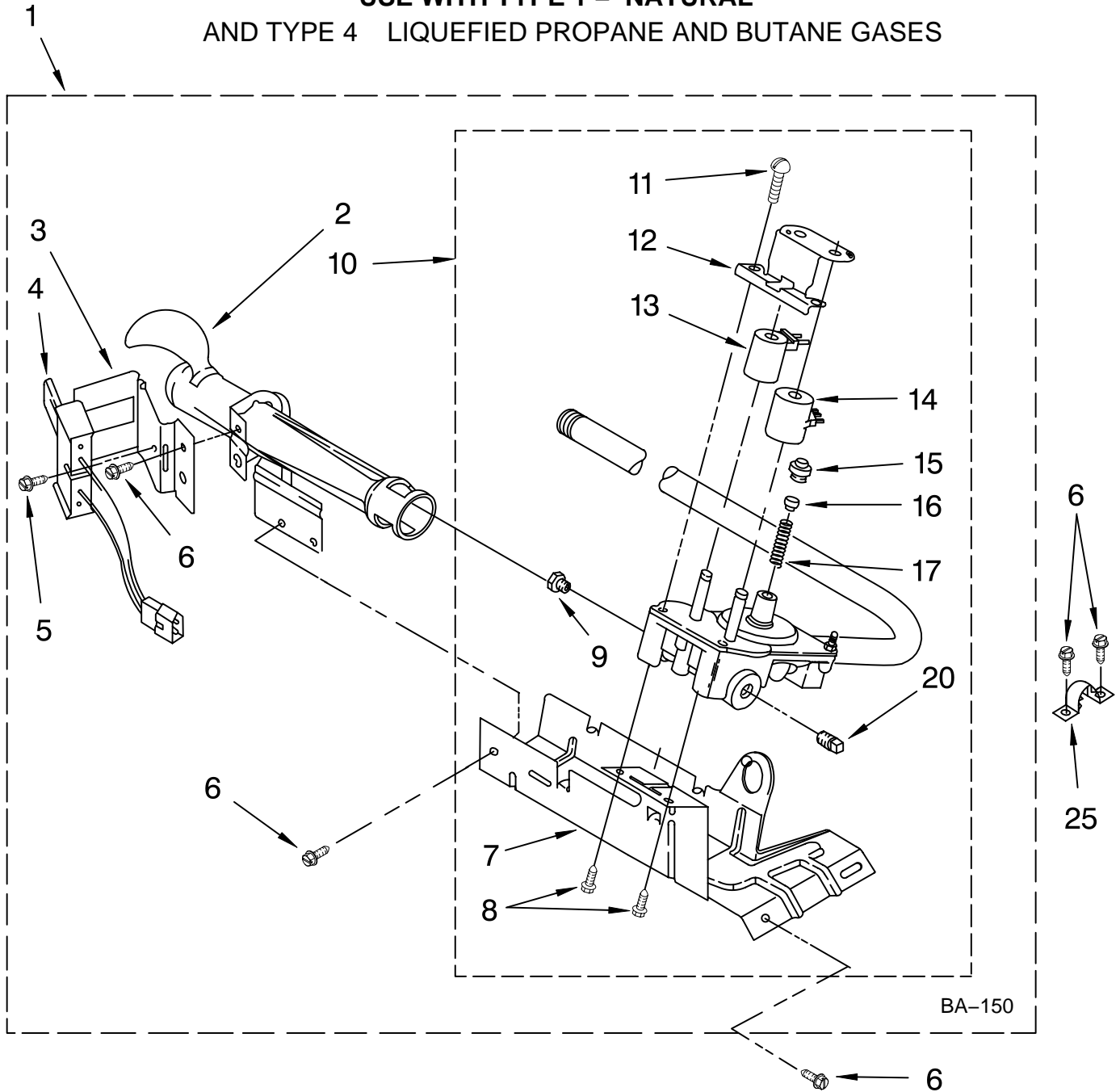
Illus. No.	Part No.	DESCRIPTION
1	348368	Lint Chute Assembly
2	489463	Screw, 8-18 x 5/8
3	3388703	Washer-Support
4	347139	Seal, Lint Chute
5	90767	Screw, 8-18 x 3/8
6	487909	Screw, 8-15 x 1/2
7	3392519	Fuse, Thermal (91 C)
8	8066086	Drum Hole Plug
9	3387134	Thermostat, Internal-Bias
10	694089	Wheel, Blower
11	8577230	Housing, Blower
12	3398161	Clip
13	343641	Screw, 10-16 x 1/2
14	8530285	Box, Heater
15	3403140	Thermostat, 205°F (96°C)
16	3977394	Kit, Thermal Cut-Off (Includes Item 15)
17	3390647	Screw, 8-18 x 1/2
18	8066049	Funnel, Burner
19	W10136369	Socket Assembly
20	3406124	Bulb
22	3977373	Bracket, Drum Light
23	3406022	Bracket, Bulkhead
24	3401707	Wire, Jumper
25	690997	Ring, Tri
26	3399506	Shaft, L.H.
27	3399507	Shaft, R.H.
28	3397590	Roller, Support
29	348197	Washer, Support
30	3359452	Nut, 3/8-16
31	3403413	Bulkhead
32	338906	Sensor, Radiant
33	3402841	Lens, Drum Light
34	692526	Ring, Bearing
35	W10109200	Screw, 11-16 x 3/4
36	3406130	Seal, Rear Drum
37	695587	Drum Assembly
38	692490	Baffle, Drum (2)
39	3976434	Bracket, Support
40	90296	Clip
41	3403636	Baffle, Drum (1)
42	339956	Seal
43	696302	Shield, Exhaust

FOR ORDERING INFORMATION REFER TO PARTS PRICE LIST

8318272 BURNER ASSEMBLY

For Model: MGD5600TQ0
(White)

USE WITH TYPE 1 – NATURAL
AND TYPE 4 LIQUEFIED PROPANE AND BUTANE GASES



FOR ORDERING INFORMATION REFER TO PARTS PRICE LIST

8318272 BURNER ASSEMBLY

For Model: MGD5600TQ0
(White)

USE WITH TYPE 1 – NATURAL
AND TYPE 4 LIQUEFIED PROPANE AND BUTANE GASES

Illus. No.	Part No.	DESCRIPTION
1	8318272	Burner Assembly 60 Hz. (Type 1) (White Rodgers)
2	688617	Tube, Burner
3	694298	Bracket, Ignitor
4	686590	Ignitor
5	3393909	Screw & Washer (8–32 x 5/8)
6	343641	Screw, 10–16 x 1/2
7	693986	Base, Burner
8	3387057	Screw, 8–18 x 3/8
9		Orifice, Burner Type 1 234826 Type 4 (Butane) 229742 Type 4 (Propane) 234868
10	8318277	Valve, 60 Hz. (Includes Pipe & Illus. #7)
11	694421	Screw, 8–32 x 1/2 (2)
12	694538	Bracket, Coil
13	694540	Coil, 60 Hz. (2 Terminal) (Main)
14	694539	Coil, 60 Hz. (Split) (3 Terminal) (Pilot Position)
15	694424	Leak Limiter
16	694423	Screw, Regulator Adjustment
17	694422	Spring, Regulator
20	239822	Plug, Pipe
25	341029	Clamp, Pipe

Following Parts Not Illustrated

694572 Conversion Kit
(Type 1)
to Type (4) L.P.G.

BA–150

FOR ORDERING INFORMATION REFER TO PARTS PRICE LIST

OPTIONAL PARTS (NOT INCLUDED)

For Model: MGD5600TQ0
(White)

Illus. No.	Part No.	DESCRIPTION
-------------------	-----------------	--------------------

ACCESSORY PARTS

	279948	Kit, Dryer Repair
	346764	Kit, Hold-Down (Gas Dryer Mobile Home Installation)
	8522199	Kit, Dryer Vent Testing
	3406839	Dry Rack

PAINT, TOUCH-UP (1/2oz.)

	72017	White
--	-------	-------

PAINT, PRESSURIZED SPRAY (12 oz.)

	350930	White
	350938	Primer, Gray

PAINT, BULK (1 qt.)

	799344	White (Uncut)
--	--------	---------------

FOR ORDERING INFORMATION REFER TO PARTS PRICE LIST

Free Manuals Download Website

<http://myh66.com>

<http://usermanuals.us>

<http://www.somanuals.com>

<http://www.4manuals.cc>

<http://www.manual-lib.com>

<http://www.404manual.com>

<http://www.luxmanual.com>

<http://aubethermostatmanual.com>

Golf course search by state

<http://golfingnear.com>

Email search by domain

<http://emailbydomain.com>

Auto manuals search

<http://auto.somanuals.com>

TV manuals search

<http://tv.somanuals.com>