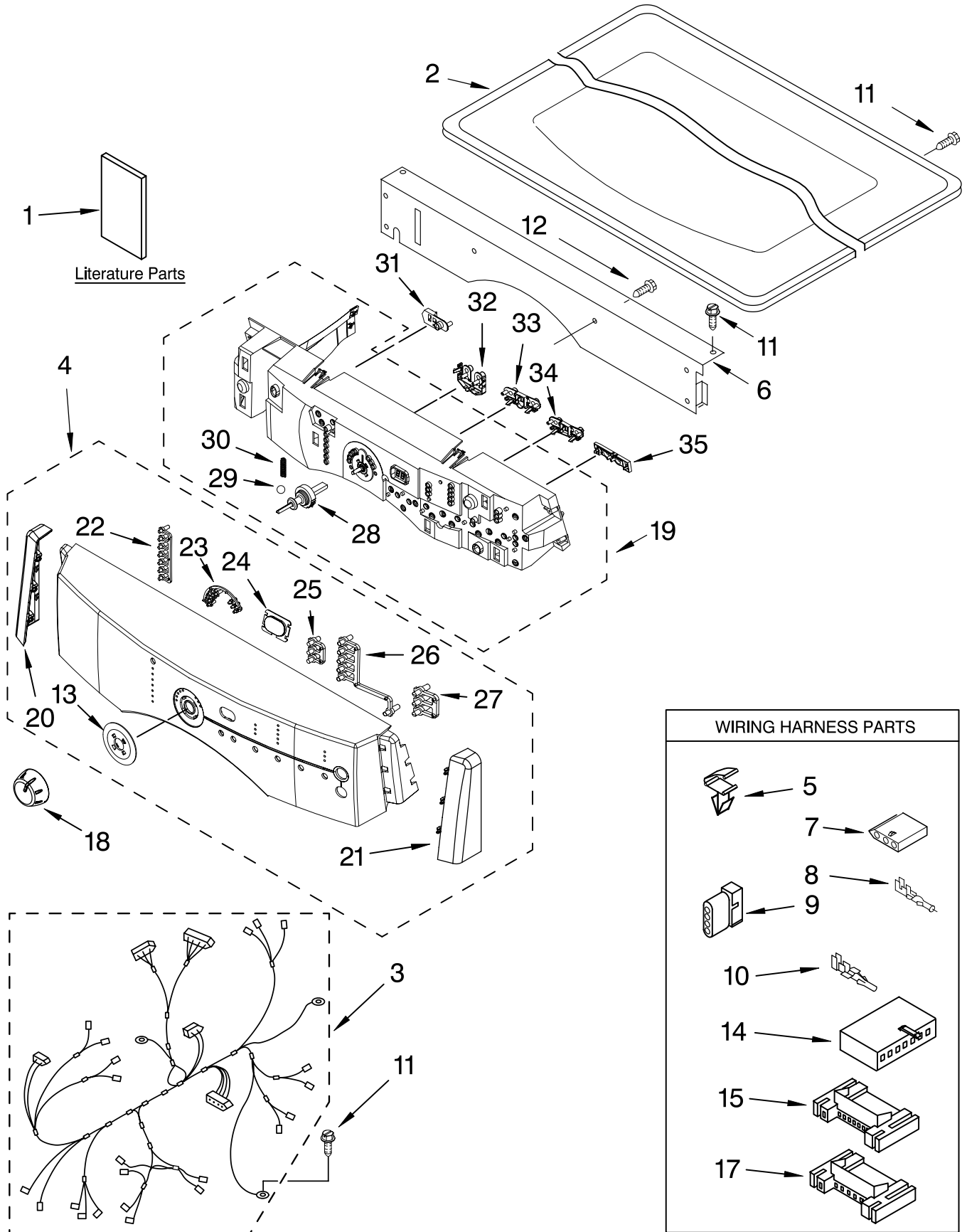


For Models: MED9800TK0, MED9800TQ0  
(Pacific Blue) (White)



FOR ORDERING INFORMATION REFER TO PARTS PRICE LIST

# TOP AND CONSOLE PARTS

For Models: MED9800TK0, MED9800TQ0  
(Pacific Blue) (White)

| Illus. No. | Part No.  | DESCRIPTION   | Illus. No. | Part No.  | DESCRIPTION                                  | Illus. No. | Part No.  | DESCRIPTION                     |
|------------|-----------|---|------------|-----------|--|------------|-----------|---------------------------------|
| 1          |           | Literature Parts  | 11         | 3390647   | Screw, 8-18 x 1/2                            | 23         | 8542683   | Light Indicator (Cycle)         |
|            | W10139629 | Use & Care Guide  | 12         | 488886    | Screw, 8-18 x 1/2                            | 24         | 8542691   | Lens, Display                   |
|            | 8563816   | Tech Sheet  | 13         | 8542690   | Bezel, Cycle                                 | 25         | 8542684   | Light Indicator (Dryness Level) |
|            | W10099080 | Guide, Quick Start  | 14         | 3936150   | Connector, 7-Circuit                         | 26         | 8542685   | Light Indicator (Temperature)   |
| 2          |           | Top   | 15         | 3395683   | Connector, (Motor)                           | 27         | 8542686   | Light Indicator (XCare/EOC)     |
|            | W10133996 | Pacific Blue  | 17         | 2203186   | Connector, 5-Circuit                         | 28         | 8542717   | Shaft, Cycle Selector           |
|            | 3980634   | White   | 18         | W10133964 | Knob, Assembly                               | 29         | 8542716   | Bearing, Knob                   |
| 3          | 8576530   | Harness, Main   | 19         | 8558455   | User Interface (Includes Illus. 28, 29 & 30) | 30         | 8542715   | Spring, Knob                    |
| 4          |           | Panel, Console (Includes Bezel, Light Indicators & Endcaps) | 20         |           | End Cap (L.H.)                               | 31         | W10133970 | Pushbutton, (Control)           |
|            | W10133981 | Pacific Blue  |            | W10133965 | Pacific Blue                                 | 32         | W10133967 | Pushbutton, (Drytime)           |
|            | W10165026 | White   |            | 8562598   | White  | 33         | W10133968 | Pushbutton, (Dryness/Temp)      |
| 5          | 3394427   | Clip, Harness   | 21         |           | End Cap (R.H.)                               | 34         | W10133969 | Pushbutton, (XCare/EOC)         |
| 6          | 8519271   | Bracket, Console  |            | W10133966 | Pacific Blue                                 | 35         | W10133971 | Pushbutton (Start/Cancel)       |
| 7          | 353424    | Connector, Sensor   |            | 8562597   | White  |            |           |                                 |
| 8          | 94614     | Terminal  | 22         | 8542682   | Light Indicator (Status)                     |            |           |                                 |
| 9          | 3936144   | Plug, Terminal  |            |           |  |            |           |                                 |
| 10         | 94613     | Terminal  |            |           |  |            |           |                                 |

FOR ORDERING INFORMATION REFER TO PARTS PRICE LIST



# CABINET PARTS

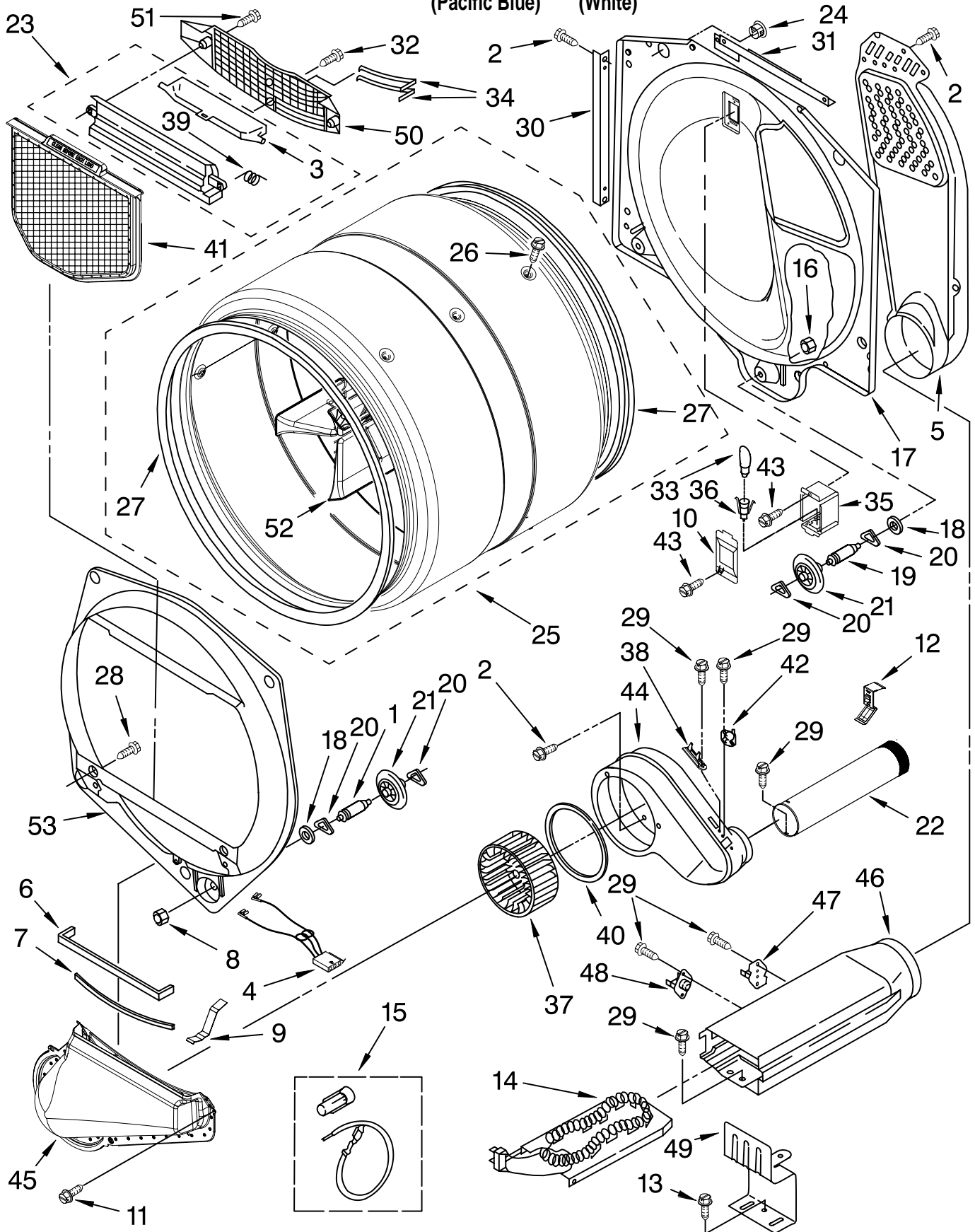
For Models: MED9800TK0, MED9800TQ0  
(Pacific Blue) (White)

| Illus. No. | Part No.  | DESCRIPTION   | Illus. No. | Part No.  | DESCRIPTION                                   | Illus. No.                  | Part No.  | DESCRIPTION                |
|------------|-----------|---|------------|-----------|---|-----------------------------|-----------|----------------------------|
| 1          | 8576583   | Cover, Terminal Block   | 18         | 233520    | Washer, Thrust                                | 39                          | 3388674   | Idler Bracket              |
| 2          | 3390814   | Screw, 8-18 x 3/8   | 19         | W10128087 | Assembly, Door Switch                         | 40                          |           | Toe Panel                  |
| 3          | 697776    | Screw, 10-32 x 5/8 (Ground)                                   | 20         | W10121334 | Washer  |                             | W10116279 | Pacific Blue               |
| 4          | 3397659   | Block, Terminal   | 21         | 8066115   | Cover-Plate                                   | 41                          | 3400826   | Screw, 8-18 x 3/4          |
| 5          | 3394881   | Switch, Broken Belt   | 22         | 8529053   | Ramp, Door                                    | 42                          | 98129     | Screw, 6-20 x 1 1/16       |
| 6          | 8521959   | Dry Rack (Top)  | 23         | 8521961   | Dry Rack Support Panel, Side (R.H.)           | 43                          | 3390647   | Screw, 8-18 x 1/2          |
| 7          |           | Panel, Side (L.H.)  | 24         |           |   | 44                          | 3387242   | Seal, Front Panel          |
|            | W10138993 | Pacific Blue  |            | W10139007 | Pacific Blue                                  | 45                          | 3393008   | Screw, 10-16 x 1/2         |
|            | W10138989 | White   |            | W10139003 | White   | 46                          | 8519459   | Clip, Toe Panel            |
| 8          | 3392100   | Foot, Dryer   | 25         | 8521957   | Dry Rack Assembly                             | 47                          | 8519207   | Base, Cabinet Front Panel  |
|            | 279810    | Foot - Optional (Extended Length Package Of 2) (Not Included) | 26         | 343641    | Screw, 8-18 x 1/2                             | 48                          |           | (Includes Illus. 44)       |
| 9          | 660658    | Clamp, Motor (2)  | 27         | 8538263   | Motor, Assembly 60 HZ.                        |                             | W10133984 | Pacific Blue               |
| 10         | 3387374   | Spring, Idler   | 28         | 3398948   | Wire, Jumper (Broken Belt Switch)             |                             | 8562162   | White                      |
| 11         | 3389420   | Retainer, Idler   | 29         | 8578220   | Pulley 60 HZ.                                 | 49                          | 696144    | Strike, Door (2)           |
| 12         |           | Plug, Multivent   | 30         | 3387610   | Belt, Drive                                   | 50                          | 359625    | Screw, 8-18 x 1/2          |
|            | 8561800   | Pacific Blue  | 31         | 692400    | Nut, Push-In                                  | 51                          | 8299925   | Harness, Digital Interface |
|            | 697750    | White   | 32         | 3387118   | Bracket, Motor                                | 52                          | 8519273   | Bracket, Control           |
| 13         | 3388672   | Pulley Assembly   | 33         | 279393    | Terminal Block Screw Kit (For Terminal Block) | 53                          | 8546219   | Control Board              |
| 14         | 279318    | Terminal, Brass & Tinned (3) (Includes Illus. 33)             | 34         | 49026     | 4" - 90° Elbow                                | 54                          | 62825     | Clip-S Type                |
| 15         | 8066120   | Lever, Snap Switch  | 35         | W10133207 | Panel, Rear                                   | Optional Parts Not Included |           |                            |
| 16         | 3394081   | Wire, Belt Switch   | 36         | 8563747   | Exhaust Pipe & Bracket                        | Dryer Exhaust Kit           |           |                            |
| 17         | W10128772 | Sound Panel   | 37         | 8563750   | Exhaust Pipe (Short)                          | (For Side & Bottom Venting) |           |                            |
|            |           |   | 38         | 8563749   | Exhaust Pipe (Long)                           |                             |           |                            |
|            |           |   |            |           |   | 55                          | 280102    | Pacific Blue               |
|            |           |   |            |           |   |                             | 279818    | White                      |

FOR ORDERING INFORMATION REFER TO PARTS PRICE LIST

# BULKHEAD PARTS

For Models: MED9800TK0, MED9800TQ0  
(Pacific Blue) (White)



FOR ORDERING INFORMATION REFER TO PARTS PRICE LIST

# BULKHEAD PARTS

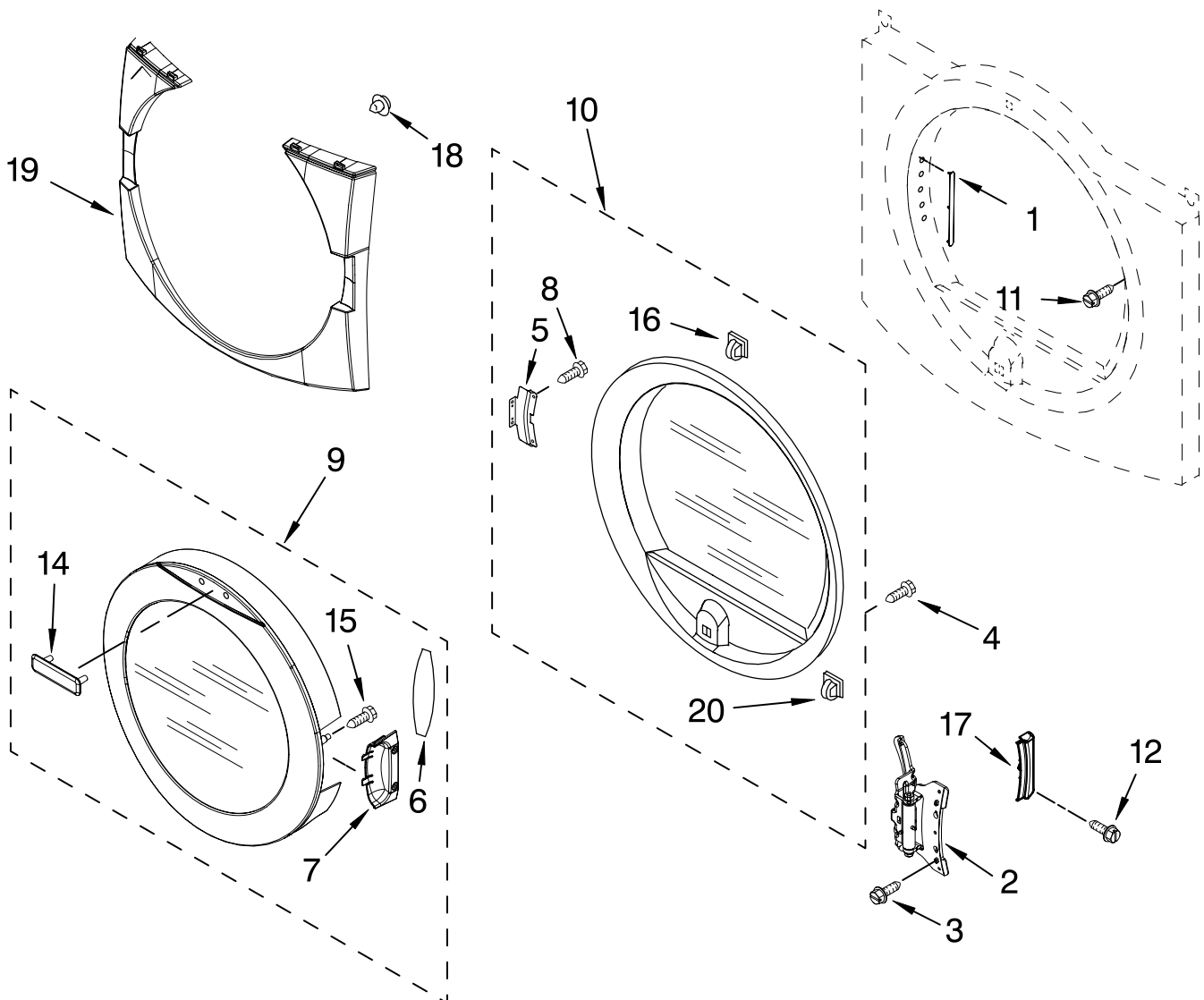
For Models: MED9800TK0, MED9800TQ0  
(Pacific Blue) (White)

| Illus. No. | Part No.  | DESCRIPTION  | Illus. No. | Part No.  | DESCRIPTION                        | Illus. No. | Part No.  | DESCRIPTION                          |
|------------|-----------|--|------------|-----------|------------------------------------|------------|-----------|--------------------------------------|
| 1          | 8575324   | Shaft, R.H. Thread   | 17         | 8520836   | Bulkhead, Rear                     | 35         | 3977373   | Bracket, Drum Light                  |
| 2          | 3390647   | Screw, 8-18 x 1/2  | 18         | 3387459   | Washer, Support                    | 36         | W10136369 | Socket Assembly                      |
| 3          | 3394984   | Door, Lint Screen  | 19         | 8575325   | Shaft, L.H. Thread                 | 37         | 697772    | Wheel, Blower                        |
| 4          | 3406653   | Harness, Sensor  | 20         | 690997    | Ring, Tri                          | 38         | 3392519   | Thermal Fuse (91°C)                  |
| 5          | 697354    | Air Duct Assembly  | 21         | 8536973   | Roller, Support                    | 39         | 3394986   | Spring, Lint Screen Door             |
| 6          | 697813    | Seal, Outlet Housing   | 22         | 8563745   | Exhaust Pipe                       | 40         | 697770    | Seal, Cover Plate                    |
| 7          | 697814    | Seal, Drum Front   | 23         | 3394985   | Housing, Outlet                    | 41         | W10049370 | Screen, Lint                         |
| 8          | 3934666   | Nut  | 24         | 8529007   | Plug, Rear Bulkhead                | 42         | 8577274   | Thermistor                           |
| 9          | 8066208   | Clip-Spring  | 25         | W10113138 | Complete Drum Assembly             | 43         | 487909    | Screw, 8-15 x 1/2                    |
| 10         | 3402841   | Lens, Drum Light   | 26         | W10109200 | Screw, 11-16 x 3/4                 | 44         | 8544362   | Housing, Blower                      |
| 11         | 489463    | Screw, 8-18 x 5/8  | 27         | 697694    | Seal, Drum                         | 45         | 8066168   | Lint Duct Assembly                   |
| 12         | 8572105   | Clip, Exhaust Pipe   | 28         | 695240    | Screw, 8-18 x 1/2                  | 46         | 3392537   | Heater Box                           |
| 13         | 90767     | Screw, 8-18 x 3/8  | 29         | 8533971   | Screw, 8-18 x 5/16                 | 47         | 8318314   | Thermal Cut-Off (Includes Illus. 48) |
| 14         | 3387747   | Heater Element   | 30         | 8519221   | Channel Bracket, Rear Bulkhead (2) | 48         | 3391914   | Thermostat 295°F (146°C)             |
| 15         | 279457    | Terminal Wire Kit (For Heater Element Wiring Harness Repair) | 31         | 8571651   | Bracket, Upper Rear Bulkhead       | 49         | 8066099   | Bracket, Heater Box                  |
| 16         | W10001120 | Nut  | 32         | 3357011   | Screw, 10-16 x 1/2                 | 50         | 8299979   | Grill, Outlet                        |
|            |           |  | 33         | 3406124   | Bulb, Light                        | 51         | 3387230   | Screw, 10-16 x 1                     |
|            |           |  | 34         | 3387223   | Electrode, Sensor                  | 52         | W10113136 | Baffle, Drum                         |
|            |           |  |            |           |                                    | 53         | 8519245   | Bulkhead, Front                      |

FOR ORDERING INFORMATION REFER TO PARTS PRICE LIST

# DOOR PARTS

For Models: MED9800TK0, MED9800TQ0  
(Pacific Blue) (White)



| Illus. No. | Part No.  | DESCRIPTION   | Illus. No. | Part No.  | DESCRIPTION   | Illus. No. | Part No.  | DESCRIPTION              |
|------------|-----------|---|------------|-----------|---|------------|-----------|--------------------------|
| 1          | W10085230 | Label, Hinge Hole                                   | 10         | 8557501   | Inner Door Assembly (Includes Illus. 5, 8, 16 & 20) | 17         |           | Cover-Hinge              |
| 2          | W10111141 | Door Hinge Assembly                                 | 11         | 355515    | Screw, 8-18 x 11/16                                 |            | W10133962 | Pacific Blue             |
| 3          | W10017850 | Screw, 10-32 x 3/8                                  | 12         | 3400859   | Screw, 8-18 x 7/32                                  |            | 8566486   | White                    |
| 4          | 9742177   | Screw, 8-18 x 5/8                                   | 14         | W10116209 | Medallion   |            |           | Rotating                 |
| 5          | 8529539   | Bracket, Handle                                     | 15         | 8533957   | Screw   | 18         | 8547091   | Clip, Trim Panel         |
| 6          | 8541011   | Pad, Door Handle                                    | 16         | 690081    | Catch, Door Assembly (1)                            | 19         |           | Trim & Clip              |
| 7          | W10133974 | Handle, Door  |            |           |   |            | W10133978 | Pacific Blue             |
| 8          | 3393008   | Screw, 10-16 x 1/2                                  |            |           |   |            | 8562596   | White                    |
| 9          | W10133985 | Door & Window Assembly (Includes Illus. 6, 7, & 14) |            |           |   |            |           | Assembly                 |
|            |           |   |            |           |   | 20         | 3389441   | Catch, Door Assembly (1) |

FOR ORDERING INFORMATION REFER TO PARTS PRICE LIST

# OPTIONAL PARTS (NOT INCLUDED)

For Models: MED9800TK0, MED9800TQ0  
(Pacific Blue) (White)

| <b>Illus.</b> | <b>Part</b>            |
|---------------|------------------------|
| <b>No.</b>    | <b>No. DESCRIPTION</b> |

## PAINT, TOUCH-UP (1/2oz.)

|         |              |
|---------|--------------|
| 72017   | White        |
| 4396603 | Meteorite    |
| 4396816 | Pacific Blue |

## PAINT, PRESSURIZED SPRAY (12 oz.)

|        |              |
|--------|--------------|
| 350930 | White        |
| 350938 | Primer, Gray |

## ACCESSORY PARTS

|         |                            |
|---------|----------------------------|
| 8529894 | Kit, Hold Down             |
| 8522199 | Kit, Dryer<br>Vent Testing |
| 8541503 | Kit,<br>Stack Assembly     |
| 80047   | Kit,<br>Dryer Repair       |

FOR ORDERING INFORMATION REFER TO PARTS PRICE LIST



## Free Manuals Download Website

<http://myh66.com>

<http://usermanuals.us>

<http://www.somanuals.com>

<http://www.4manuals.cc>

<http://www.manual-lib.com>

<http://www.404manual.com>

<http://www.luxmanual.com>

<http://aubethermostatmanual.com>

Golf course search by state

<http://golfingnear.com>

Email search by domain

<http://emailbydomain.com>

Auto manuals search

<http://auto.somanuals.com>

TV manuals search

<http://tv.somanuals.com>