

FOR ORDERING INFORMATION REFER TO PARTS PRICE LIST

TOP AND CONSOLE PARTS

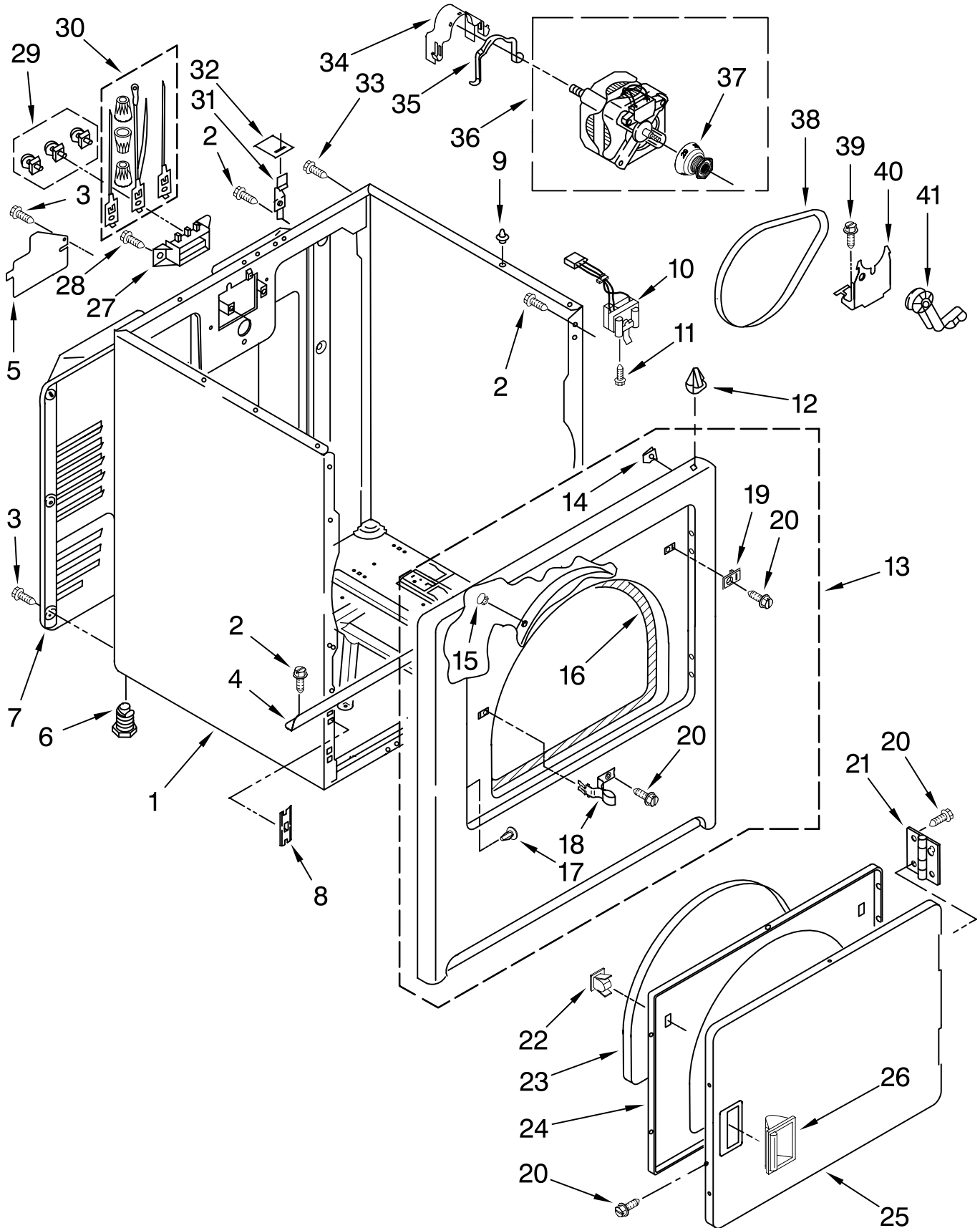
For Model: MED5900TW1
(White)

Illus. No.	Part No.	DESCRIPTION
1		Literature Parts
	W10088770	Use & Care Guide
	W10089172	Dryer Cycle Sheet
	W10112987	Tech Sheet
2	W10112577	Panel, Console Rear
3	693995	Screw, 8-18 x 3/8
4	W10108400	Harness, Wiring Center Control
5	3405281	Relay, Motor
6	3388228	Screw, 8-18 x 11/32
7	3405151	Switch, End Of Cycle
8	3405152	Switch, Wrinkle Guard
9	W10116567	Control Assembly
10	8299771	Timer, 60 Hz.
11	8533971	Screw, 8-18 x 5/16
12	8299970	Switch, Temperature
13	8566493	Relay, Heater
14	3977456	Switch, Push-To-Start
15	3405281	Relay, Heater
16	8579712	Console & Shell Assembly (Includes Items 17 & 18)
17	8312709	Clip, Console
18	W10112569	Badge Assembly
19	8536939	Clip, Spring
20	W10110035	Knob, Control (3)
21	W10110036	Knob, Timer
22	W10110037	Knob, Push-To-Start
23	337686	Screw, 8-18 x 1/2
24	W10112578	Bracket, Harness
25	W10112603	Seal, Harness
26	3936144	Connector
27	W10110997	Harness, Wiring
28	8565972	Screen, Lint
29	688983	Screw, 8-18 x 5/8
30	W10112599	Top
31	237446	Washer (Top/Chute)
32	3395683	Connector (Motor)
33	3394427	Clip, Harness
34	3401144	Connector (PTS Relay)
35	3397269	Connector (Timer)
36	3347243	Connector, 6-Circuit
37	94614	Terminal

FOR ORDERING INFORMATION REFER TO PARTS PRICE LIST

CABINET PARTS

For Model: MED590TW1
(White)



FOR ORDERING INFORMATION REFER TO PARTS PRICE LIST

CABINET PARTS

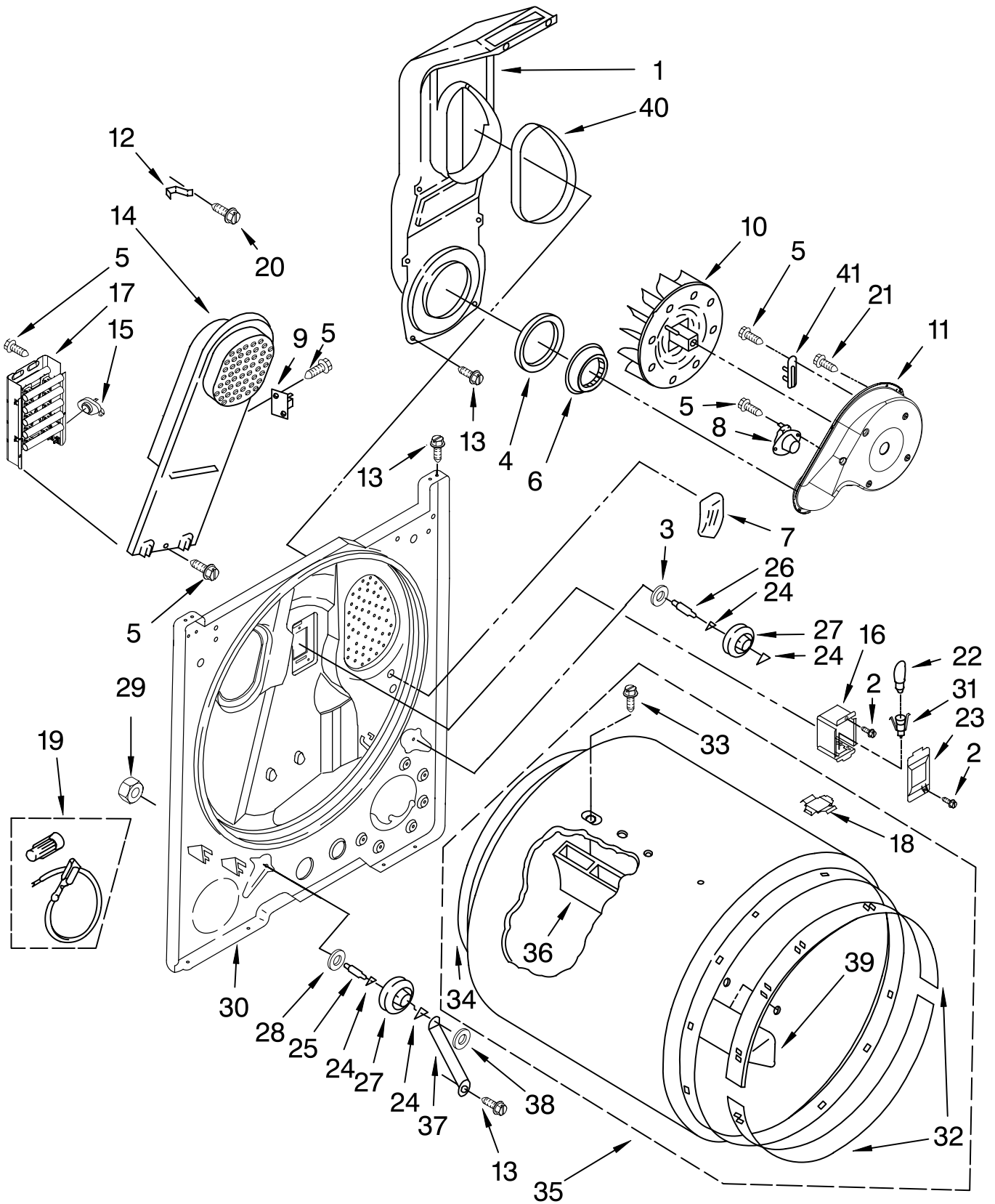
For Model: MED5900TW1
(White)

Illus. No.	Part No.	DESCRIPTION	Illus. No.	Part No.	DESCRIPTION	Illus. No.	Part No.	DESCRIPTION
1	8530603	Cabinet (Includes Item 4)	13	3403444	Panel, Front			Terminal Block)
2	343641	Screw, 10-16 x 1/2	14	98234	Clip, Ground	30	279318	Terminal, Tinned & Brass (3)
3	693995	Screw, 8/18 x 3/8	15	685203	Clip, Felt Pad (3)			(Includes Item 29)
4	8541400	Bracket, Cabinet	16	3406129	Seal & Bearing Assembly	31	8066217	Hinge, Top (2)
5	3396795	Cover, Terminal Block	17	3404413	Plug, Hole	32	18849	Pad, Top Hinge (2)
6	3392100	Foot, Dryer	18	3403431	Strike, Door	33	697776	Screw, 10-32 x 5/8
	279810	Foot, Optional Extended Length (Package Of 2) (Not Included)	19	3403630	Plug, Strike	34	3404162	Clamp, Motor (W/Shield)
7	3396805	Panel, Rear	21	3405514	Hinge, Door (2)	35	660658	Clamp, Motor
8	3394083	Clip, Front Panel	22	3389441	Catch, Door Assembly	36	8066206	Motor Assembly, 60 Hz.
9	98669	Locator, Top (2)	23	3405246	Seal, Door	37	8066184	Pulley, 60 Hz.
10	3406107	Door Switch Assembly	24	3402341	Door Rear	38	W10131364	Belt, Drive
11	697773	Screw, 6-20 x 7/8	25	3402335	Door, Front	39	3400500	Bolt, 5/16-18 x 3/4
12	18776	Lock, Front Top (2)	26	8565970	Handle, Door	40	348780	Base, Motor
			27	3397659	Block, Terminal	41	691366	Idler & Pulley Assembly
			28	3393008	Screw, 10-16 x 1/2			
			29	279393	Terminal Block Kit (For			

FOR ORDERING INFORMATION REFER TO PARTS PRICE LIST

BULKHEAD PARTS

For Model: MED590TW1
(White)



FOR ORDERING INFORMATION REFER TO PARTS PRICE LIST

BULKHEAD PARTS

For Model: MED5900TW1
(White)

Illus. No.	Part No.	DESCRIPTION
1	348368	Lint Chute Assembly
2	487909	Screw, 8-15 x 1/2
3	3388703	Washer-Support
4	347139	Seal, Lint Chute
5	90767	Screw, 8-18 x 3/8
6	696302	Shield, Exhaust
7	3976479	Pad-Sensor
8	8577274	Thermister
9	3977393	Thermal, Cut-Off (Includes Illus. 15)
10	694089	Wheel, Blower
11	8577231	Housing, Blower
12	3398161	Clip
13	343641	Screw, 10-16 x 1/2
14	8541818	Box, Heater
15	3404153	Thermostat, 140°F
16	3977373	Bracket, Drum Light
17	3401338	Element, Heater
18	8066086	Drum Hole Plug
19	279457	Wire Kit, Terminal (For Heater Element Wiring Harness Repair)
20	489463	Screw, 8-18 x 5/8
21	3390647	Screw, 8-18 x 1/2
22	3406126	Bulb
23	3402841	Lens, Drum Light
24	690997	Ring, Tri
25	3399506	Shaft, L.H.
26	3399507	Shaft, R.H.
27	3397590	Roller, Support
28	348197	Washer, Support
29	3359452	Nut, 3/8-16
30	3403413	Bulkhead
31	W10136369	Socket Assembly
32	692526	Ring, Bearing (2)
33	W10109200	Screw, 11-16 x 3/4
34	3406130	Seal, Rear Drum
35	695587	Drum Assembly
36	692490	Baffle, Drum (2)
37	3976434	Bracket, Support
38	90296	Clip
39	3403636	Baffle, Drum (1)
40	339956	Seal
41	3390719	Thermal-Fuse (91C)

FOR ORDERING INFORMATION REFER TO PARTS PRICE LIST

OPTIONAL PARTS (NOT INCLUDED)

For Model: MED5900TW1
(White)

Illus.	Part
No.	No. DESCRIPTION

ACCESSORY PARTS

279948	Kit, Dryer Repair
3406839	Dry Rack
8522199	Kit, Dryer Vent Testing

PAINT, TOUCH-UP (1/2oz.)

72017	White
-------	-------

PAINT, PRESSURIZED SPRAY (12 oz.)

350930	White
350938	Primer, Gray

PAINT, BULK (1 qt.)

799344	White (Uncut)
--------	---------------

FOR ORDERING INFORMATION REFER TO PARTS PRICE LIST

Free Manuals Download Website

<http://myh66.com>

<http://usermanuals.us>

<http://www.somanuals.com>

<http://www.4manuals.cc>

<http://www.manual-lib.com>

<http://www.404manual.com>

<http://www.luxmanual.com>

<http://aubethermostatmanual.com>

Golf course search by state

<http://golfingnear.com>

Email search by domain

<http://emailbydomain.com>

Auto manuals search

<http://auto.somanuals.com>

TV manuals search

<http://tv.somanuals.com>