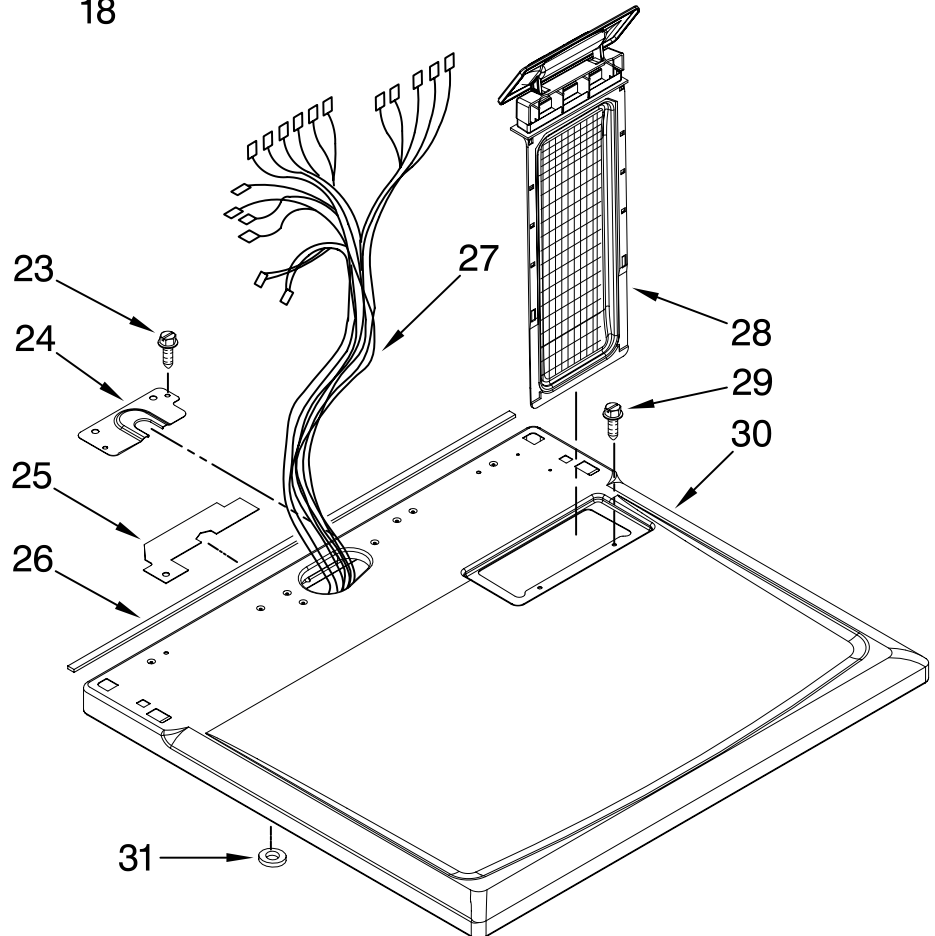
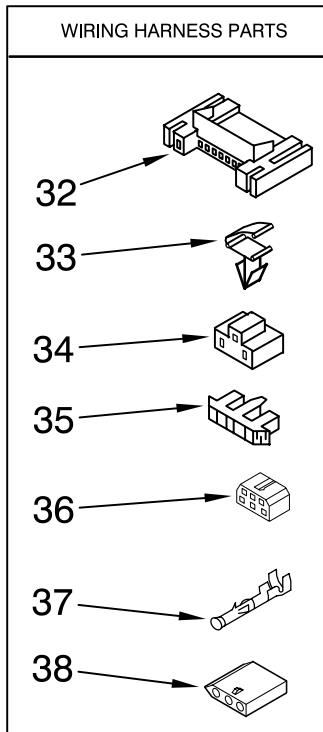
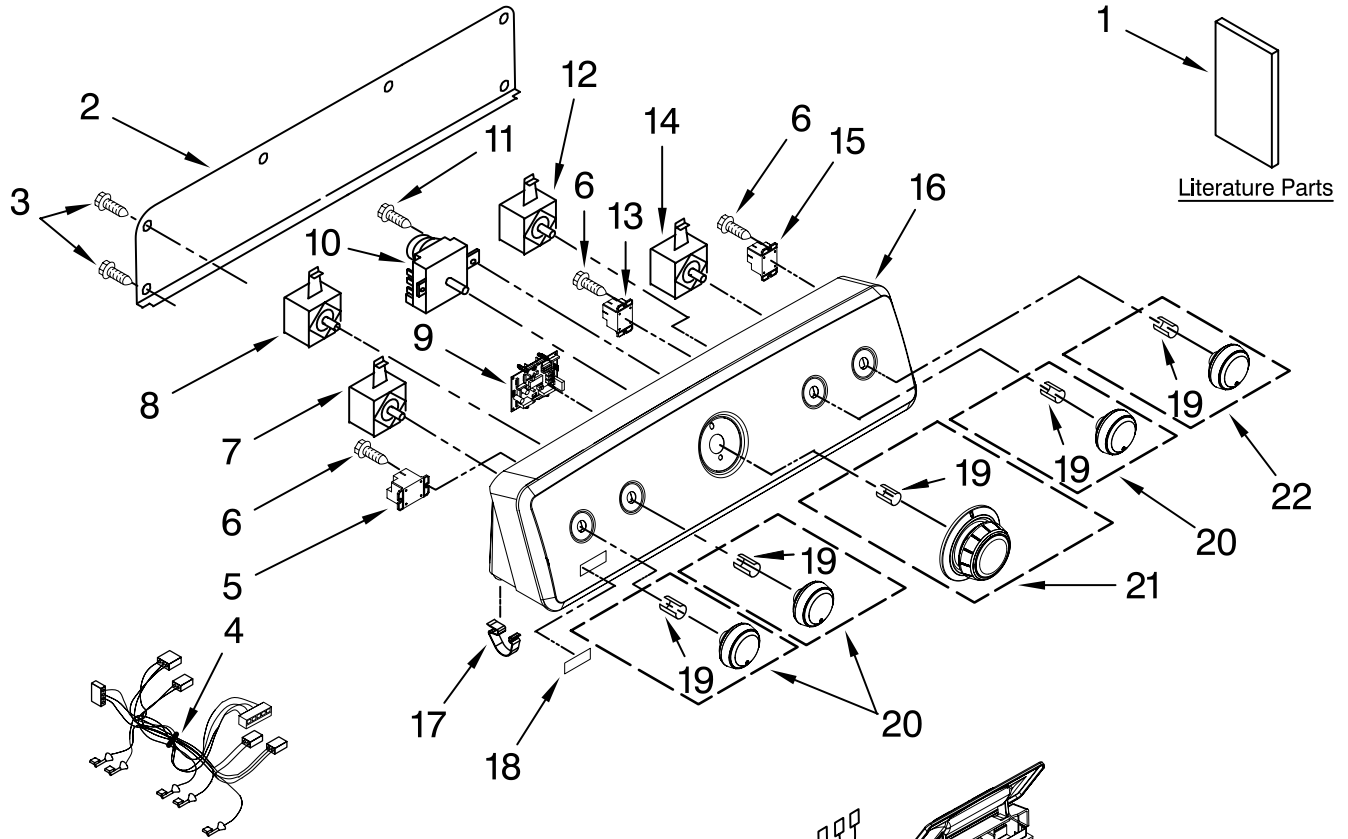


For Model: MED5900TW0
(White)



FOR ORDERING INFORMATION REFER TO PARTS PRICE LIST

TOP AND CONSOLE PARTS

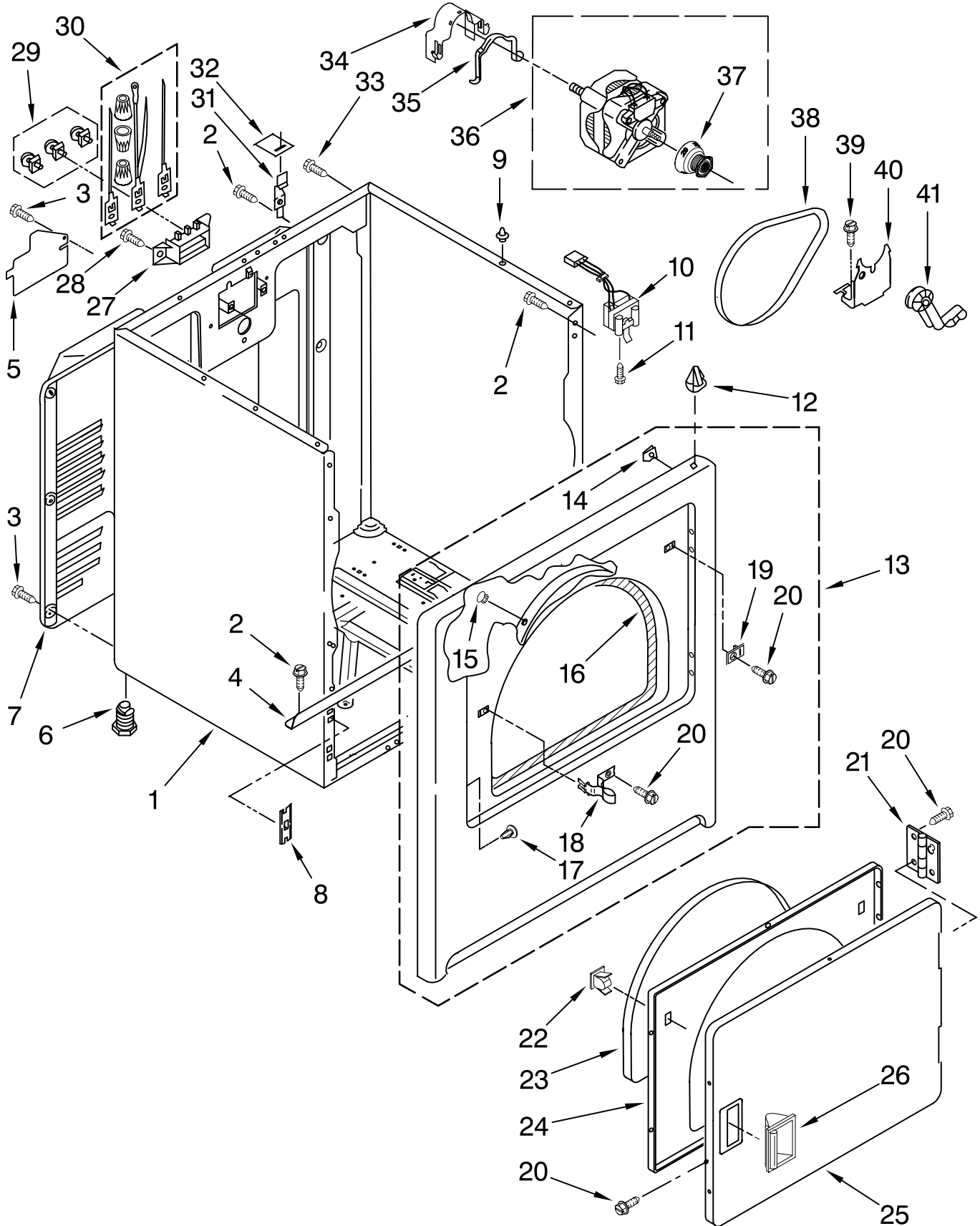
For Model: MED5900TW0
(White)

| Illus. No. | Part No. | DESCRIPTION |
|------------|-----------|---|
| 1 | | Literature Parts |
| | W10088770 | Use & Care Guide |
| | W10089172 | Dryer Cycle Sheet |
| | W10112987 | Tech Sheet |
| 2 | W10112576 | Panel, Console Rear |
| 3 | 693995 | Screw, 8-18 x 3/8 |
| 4 | W10108400 | Harness, Wiring Center Control |
| 5 | 3405281 | Relay, Motor |
| 6 | 3388228 | Screw, 8-18 x 11/32 |
| 7 | 3405151 | Switch, End Of Cycle |
| 8 | 3405152 | Switch, Wrinkle Guard |
| 9 | W10111812 | Control Assembly |
| 10 | 8299771 | Timer, 60 Hz. |
| 11 | 8533971 | Screw, 8-18 x 5/16 |
| 12 | 8299970 | Switch, Temperature |
| 13 | 8566493 | Relay, Heater |
| 14 | W10156101 | Switch, Push-To-Start |
| 15 | 3405281 | Relay, Heater |
| 16 | 8579712 | Console & Shell Assembly (Includes Items 17 & 18) |
| 17 | 8312709 | Clip, Console |
| 18 | W10112569 | Badge Assembly |
| 19 | 8536939 | Clip, Spring |
| 20 | W10110035 | Knob, Control (3) |
| 21 | W10110036 | Knob, Timer |
| 22 | W10110037 | Knob, Push-To-Start |
| 23 | 337686 | Screw, 8-18 x 1/2 |
| 24 | 8565981 | Bracket, Harness |
| 25 | W10118608 | Seal, Harness |
| 26 | W10112267 | Seal, Foam Console Bracket |
| 27 | W10108380 | Harness, Wiring |
| 28 | 8565972 | Screen, Lint |
| 29 | 688983 | Screw, 8-18 x 5/8 |
| 30 | W10112599 | Top |
| 31 | 237446 | Washer (Top/Chute) |
| 32 | 3395683 | Connector (Motor) |
| 33 | 3394427 | Clip, Harness |
| 34 | 3401144 | Connector (PTS Relay) |
| 35 | 3397269 | Connector (Timer) |
| 36 | 3347243 | Connector, 6-Circuit |
| 37 | 94614 | Terminal |
| 38 | 3936144 | Connector |

FOR ORDERING INFORMATION REFER TO PARTS PRICE LIST

CABINET PARTS

For Model: MED5900TW0
(White)



FOR ORDERING INFORMATION REFER TO PARTS PRICE LIST

CABINET PARTS

For Model: MED5900TW0
(White)

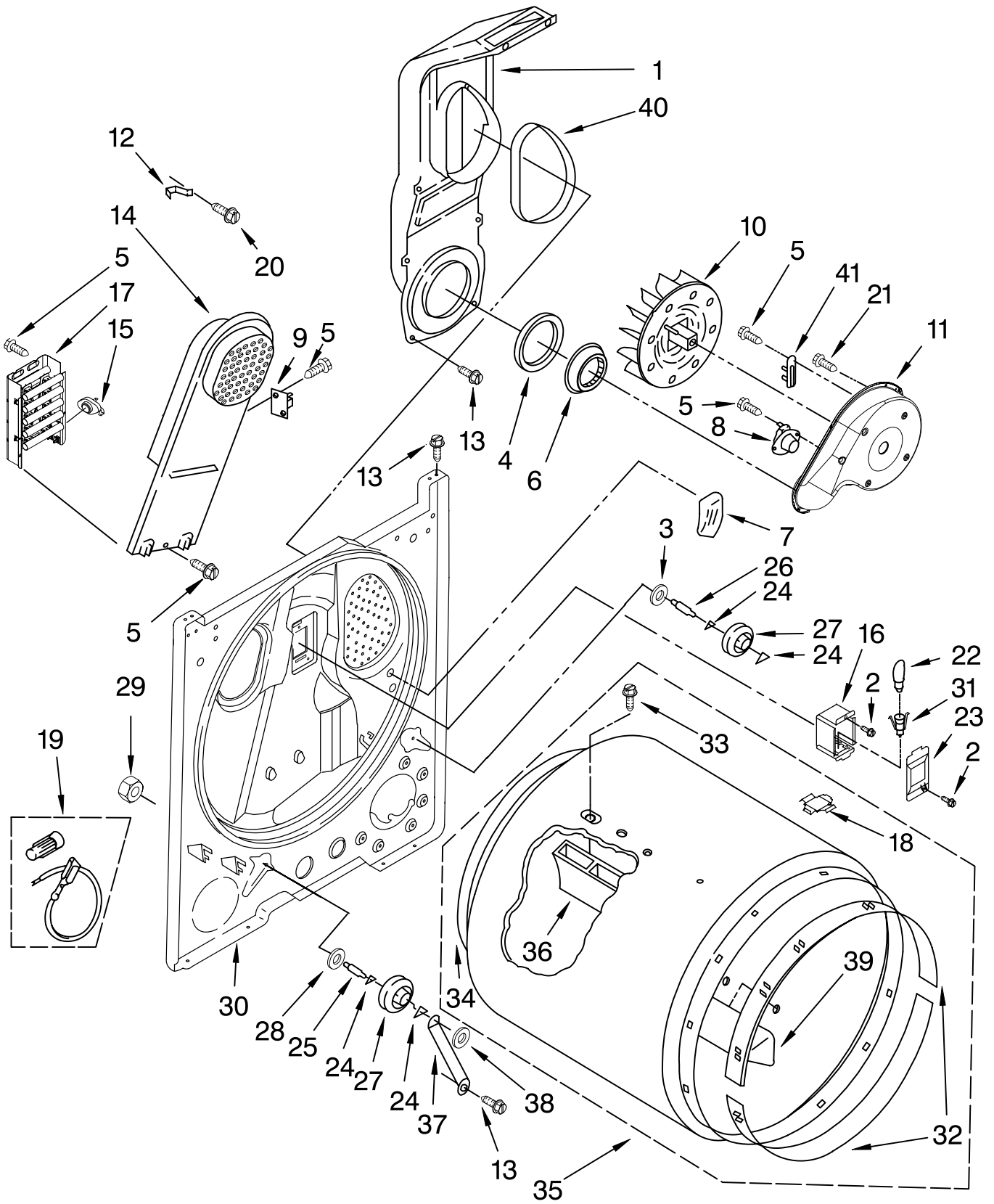
| Illus. No. | Part No. | DESCRIPTION | Illus. No. | Part No. | DESCRIPTION | Illus. No. | Part No. | DESCRIPTION |
|------------|----------|---|------------|----------|---|------------|-----------|--|
| 1 | 8530603 | Cabinet (Includes Item 4) | 13 | 3403444 | Panel, Front | 30 | 279318 | Terminal, Tinned & Brass (3) (Includes Item 29) |
| 2 | 343641 | Screw, 10-16 x 1/2 | 14 | 98234 | Clip, Ground | 31 | 8066217 | Hinge, Top (2) |
| 3 | 693995 | Screw, 8/18 x 3/8 | 15 | 685203 | Clip, Felt Pad (3) | 32 | 18849 | Pad, Top Hinge (2) |
| 4 | 8541400 | Bracket, Cabinet | 16 | 3406129 | Seal & Bearing Assembly | 33 | 697776 | Screw, 10-32 x 5/8 |
| 5 | 3396795 | Cover, Terminal Block | 17 | 3404413 | Plug, Hole | 34 | 3404162 | Clamp, Motor (W/Shield) |
| 6 | 3392100 | Foot, Dryer | 18 | 3403431 | Strike, Door | 35 | 660658 | Clamp, Motor |
| | 279810 | Foot, Optional Extended Length (Package Of 2) (Not Included) | 19 | 3403630 | Plug, Strike | 36 | 8066206 | Motor Assembly, 60 Hz. |
| 7 | 3396805 | Panel, Rear | 20 | 342055 | Screw, 8-18 x 1/2 | 37 | 8066184 | Pulley, 60 Hz. |
| 8 | 3394083 | Clip, Front Panel | 21 | 3405514 | Hinge, Door (2) | 38 | W10131364 | Belt, Drive |
| 9 | 98669 | Locator, Top (2) | 22 | 3389441 | Catch, Door Assembly | 39 | 3400500 | Bolt, 5/16-18 x 3/4 |
| 10 | 3406107 | Door Switch Assembly | 23 | 3405246 | Seal, Door | 40 | 348780 | Base, Motor |
| 11 | 697773 | Screw, 6-20 x 7/8 | 24 | 3402341 | Door Rear | 41 | 691366 | Idler & Pulley Assembly |
| 12 | 18776 | Lock, Front Top (2) | 25 | 3402335 | Door, Front | | | |
| | | | 26 | 8565970 | Handle, Door | | | |
| | | | 27 | 3397659 | Block, Terminal | | | |
| | | | 28 | 3393008 | Screw, 10-16 x 1/2 | | | |
| | | | 29 | 279393 | Terminal Block Kit (For Terminal Block) | | | |

FOR ORDERING INFORMATION REFER TO PARTS PRICE LIST

BULKHEAD PARTS

For Model: MED590TW0

(White)



FOR ORDERING INFORMATION REFER TO PARTS PRICE LIST

BULKHEAD PARTS

For Model: MED5900TW0
(White)

| <u>Illus.</u> <u>No.</u> | <u>Part</u> <u>No.</u> | <u>DESCRIPTION</u> |
|-----------------------------|---------------------------|--|
| 1 | 348368 | Lint Chute Assembly |
| 2 | 487909 | Screw, 8-15 x 1/2 |
| 3 | 3388703 | Washer-Support |
| 4 | 347139 | Seal, Lint Chute |
| 5 | 90767 | Screw, 8-18 x 3/8 |
| 6 | 696302 | Shield, Exhaust |
| 7 | 3976479 | Pad-Sensor |
| 8 | 8577274 | Thermister |
| 9 | 3977393 | Thermal, Cut-Off (Includes Illus. 15) |
| 10 | 694089 | Wheel, Blower |
| 11 | 8577231 | Housing, Blower |
| 12 | 3398161 | Clip |
| 13 | 343641 | Screw, 10-16 x 1/2 |
| 14 | 8541818 | Box, Heater |
| 15 | 3404153 | Thermostat, 140°F |
| 16 | 3977373 | Bracket, Drum Light |
| 17 | 3401338 | Element, Heater |
| 18 | 8066086 | Drum Hole Plug |
| 19 | 279457 | Wire Kit, Terminal (For Heater Element Wiring Harness Repair) |
| 20 | 489463 | Screw, 8-18 x 5/8 |
| 21 | 3390647 | Screw, 8-18 x 1/2 |
| 22 | 3406126 | Bulb |
| 23 | 3402841 | Lens, Drum Light |
| 24 | 690997 | Ring, Tri |
| 25 | 3399506 | Shaft, L.H. |
| 26 | 3399507 | Shaft, R.H. |
| 27 | 3397590 | Roller, Support |
| 28 | 348197 | Washer, Support |
| 29 | 3359452 | Nut, 3/8-16 |
| 30 | 3403413 | Bulkhead |
| 31 | W10136369 | Socket Assembly |
| 32 | 692526 | Ring, Bearing (2) |
| 33 | W10109200 | Screw, 11-16 x 3/4 |
| 34 | 3406130 | Seal, Rear Drum |
| 35 | 695587 | Drum Assembly |
| 36 | 692490 | Baffle, Drum (2) |
| 37 | 3976434 | Bracket, Support |
| 38 | 90296 | Clip |
| 39 | 3403636 | Baffle, Drum (1) |
| 40 | 339956 | Seal |
| 41 | 3390719 | Thermal-Fuse (91C) |

FOR ORDERING INFORMATION REFER TO PARTS PRICE LIST

OPTIONAL PARTS (NOT INCLUDED)

For Model: MED5900TWO
(White)

| Illus. | Part | |
|---------------|-------------|--------------------|
| No. | No. | DESCRIPTION |

ACCESSORY PARTS

| | |
|---------|----------------------------|
| 279948 | Kit, Dryer Repair |
| 3406839 | Dry Rack |
| 8522199 | Kit, Dryer Vent Testing |

PAINT, TOUCH-UP (1/2oz.)

| | |
|-------|-------|
| 72017 | White |
|-------|-------|

PAINT, PRESSURIZED SPRAY (12 oz.)

| | |
|--------|--------------|
| 350930 | White |
| 350938 | Primer, Gray |

PAINT, BULK (1 qt.)

| | |
|--------|---------------|
| 799344 | White (Uncut) |
|--------|---------------|

FOR ORDERING INFORMATION REFER TO PARTS PRICE LIST

Free Manuals Download Website

<http://myh66.com>

<http://usermanuals.us>

<http://www.somanuals.com>

<http://www.4manuals.cc>

<http://www.manual-lib.com>

<http://www.404manual.com>

<http://www.luxmanual.com>

<http://aubethermostatmanual.com>

Golf course search by state

<http://golfingnear.com>

Email search by domain

<http://emailbydomain.com>

Auto manuals search

<http://auto.somanuals.com>

TV manuals search

<http://tv.somanuals.com>