

FOR ORDERING INFORMATION REFER TO PARTS PRICE LIST

TOP AND CONSOLE PARTS

For Model: MED5700TQ0

(White)

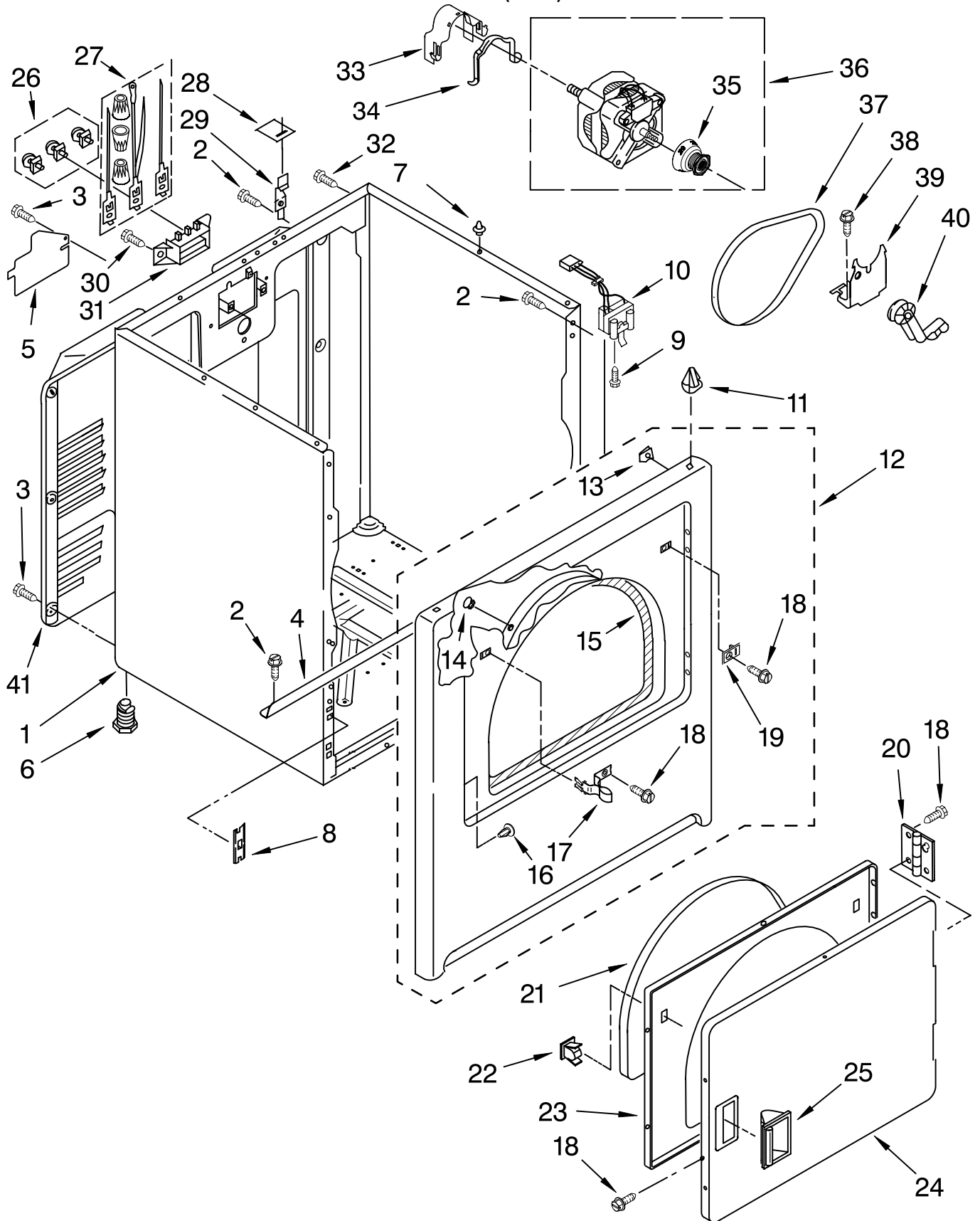
Illus. No.	Part No.	DESCRIPTION	Illus. No.	Part No.	DESCRIPTION	Illus. No.	Part No.	DESCRIPTION
1		Literature Parts Sheet,	10	W10117655	Switch, Push-To-Start	22	3391885	Connector, Edge
	W10089171	Cycle Feature				23	8558178	Control, Electronic
	W10088770	Use & Care Guide	11	W10086710	Console & Shell Assembly (Includes Items 12 & 13)	24	343641	Screw, 10-16 x 1/2
	8578889	Wiring Diagram				25	W10113070	Harness, Wiring
2	W10112576	Panel, Rear	12	8312709	Clip, Console	26	8565972	Screen, Lint
3	693995	Screw, 8-18 x 3/8	13	W10112569	Badge Assembly	27	688983	Screw, 8-18 x 5/8
4	W10113080	Wire, Jumper Buzzer On/Off	14	8536939	Clip, Spring	28	W10112599	Top
5	8566184	Timer, 60 Hz.	15	W10110029	Knob, Control (3)	29	3395683	Connector (Motor)
6	3405156	Switch, Rotary Twist Mount	16	W10110030	Timer Knob Assembly	30	3394427	Clip, Harness
7	694419	Buzzer, Mini	17	337686	Screw, 8-18 x 3/4	31	3401144	Connector (PTS Relay)
8	8533971	Screw, 8-18 x 5/16	18	8565981	Bracket, Harness	32	3397269	Connector (Timer)
9	8578354	Switch, Temperature	19	W10118608	Seal, Harness	33	3347243	Connector, 6-Circuit
			20	W10112267	Seal, Foam Console Bracket	34	94614	Terminal
			21	237446	Washer (Top/Chute)	35	3936144	Connector

FOR ORDERING INFORMATION REFER TO PARTS PRICE LIST

CABINET PARTS

For Model: MED5700TQ0

(White)



FOR ORDERING INFORMATION REFER TO PARTS PRICE LIST

CABINET PARTS

For Model: MED5700TQ0

(White)

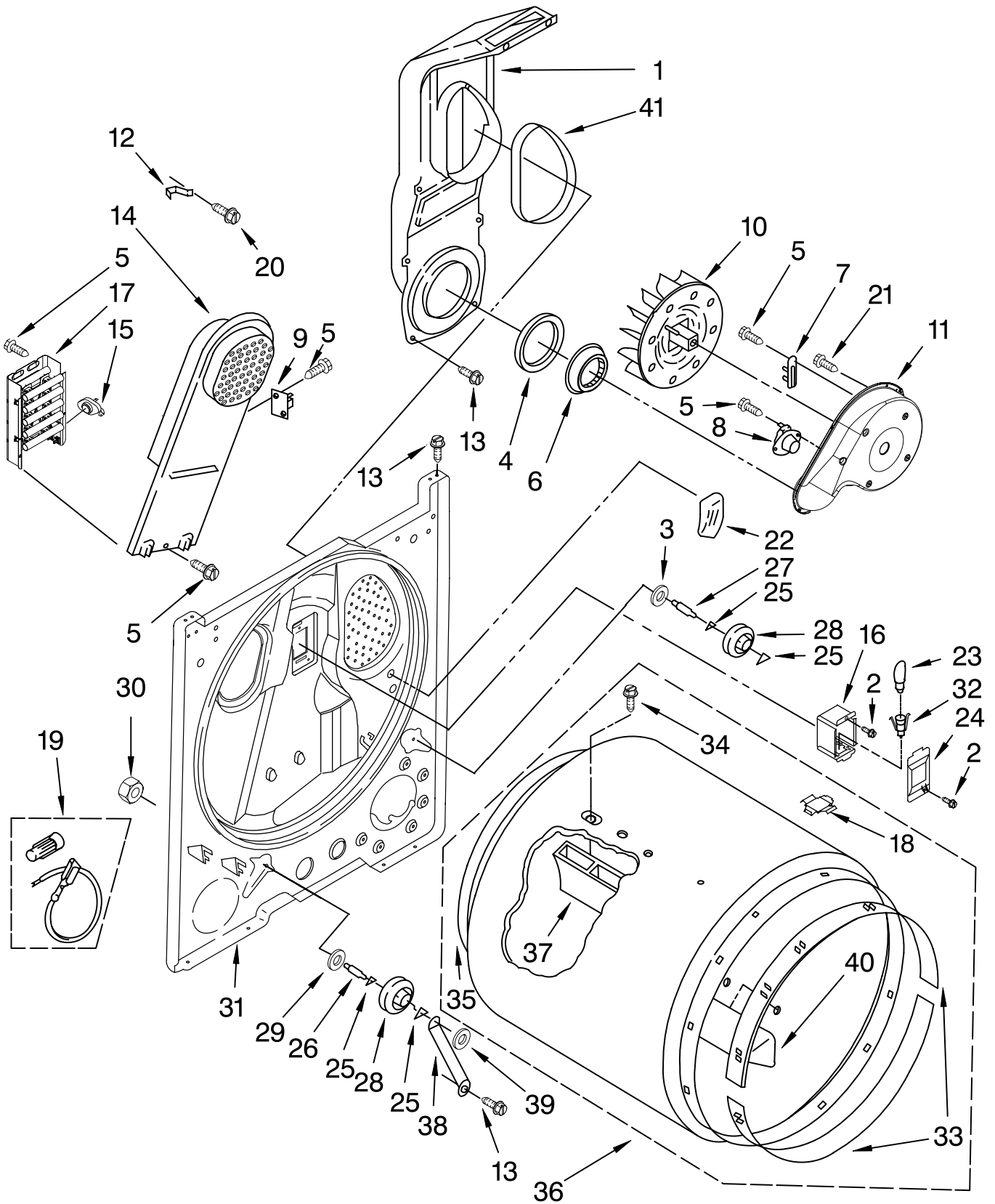
Illus. No.	Part No.	DESCRIPTION	Illus. No.	Part No.	DESCRIPTION	Illus. No.	Part No.	DESCRIPTION
1	8530603	Cabinet (Includes Item 4)	14	685203	Clip, Felt Pad (3)	27	279318	Terminal, Tinned & Brass (3) (Includes Item 26)
2	343641	Screw, 10-16 x 1/2	15	3406129	Seal & Bearing Assembly	28	18849	Pad, Top Hinge (2)
3	693995	Screw, 8-18 x 3/8	16	3404413	Plug, Hole	29	8066217	Hinge, Top (2)
4	8541400	Bracket, Cabinet	17	3403431	Strike, Door	30	3393008	Screw, 10-16 x 1/2
5	3396795	Cover, Block	18	342055	Screw, 8-18 x 1/2	31	3397659	Block, Terminal
6	3392100	Foot, Dryer	19	3403630	Plug, Strike	32	697776	Screw, 10-32 x 5/8
	279810	Foot-Optional Extended Length (Package of 2) (Not Included)	20	3405514	Hinge, Door	33	3404162	Clamp, Motor (W/Shield)
7	18776	Locator, Top	22	3389441	Catch, Door Assembly	34	660658	Clamp, Motor
8	3394083	Clip, Front Panel (2)	23	3402341	Door, Rear	35	8066184	Pulley, 60 Hz.
9	697773	Screw, 6-20 x 7/8	24	3402335	Door, Front	36	8066206	Motor Assembly 60 Hz.
10	3406107	Switch, Door	25	8565970	Handle, Door	37	W10131364	Belt, Drive
11	98669	Lock, Front Top (2)	26	279393	Terminal Block Kit (For Terminal Block)	38	3400500	Bolt, 5/16-18 x 3/4
12	3403444	Panel, Front				39	348780	Base, Motor
13	98234	Clip, Ground				40	691366	Idler & Pulley Assembly
						41	3396805	Panel, Rear

FOR ORDERING INFORMATION REFER TO PARTS PRICE LIST

BULKHEAD PARTS

For Model: MED5700TQ0

(White)



FOR ORDERING INFORMATION REFER TO PARTS PRICE LIST

BULKHEAD PARTS

For Model: MED5700TQ0

(White)

<u>Illus.</u> <u>No.</u>	<u>Part</u> <u>No.</u>	<u>DESCRIPTION</u>
1	348368	Lint Chute Assembly
2	487909	Screw, 8-15 x 1/2
3	3388703	Washer-Support
4	347139	Seal, Lint Chute
5	90767	Screw, 8-18 x 3/8
6	696302	Shield, Exhaust
7	3392519	Fuse, Thermal (91 C)
8	8318268	Thermostat, Internal-Bias
9	3977393	Thermal Cut-Off (Includes Item 15)
10	694089	Wheel, Blower
11	8577230	Housing, Blower
12	3398161	Clip
13	343641	Screw, 10-16 x 1/2
14	8541818	Box, Heater
15	3977767	Thermostat, 221°F (105°C)
16	3977373	Bracket, Drum Light
17	3403585	Element, Heater
18	8066086	Drum Hole Plug
19	279457	Wire Kit, Terminal (For Heater Element Wiring Harness Repair)
20	489463	Screw, 8-18 x 5/8
21	3390647	Screw, 8-18 x 1/2
22	3976479	Pad, Sensor
23	3406124	Bulb
24	3402841	Lens, Drum Light
25	690997	Ring, Tri
26	3399506	Shaft, L.H.
27	3399507	Shaft, R.H.
28	3397590	Roller, Support
29	348197	Washer, Support
30	3359452	Nut, 3/8-16
31	3403414	Bulkhead
32	W10136369	Socket Assembly
33	692526	Ring, Bearing (2)
34	W10109200	Screw, 11-16 x 3/4
35	3406130	Seal, Rear Drum
36	695587	Drum Assembly
37	692490	Baffle, Drum (2)
38	3976434	Bracket, Support
39	90296	Clip
40	3403636	Baffle, Drum (1)
41	339956	Seal

FOR ORDERING INFORMATION REFER TO PARTS PRICE LIST

OPTIONAL PARTS (NOT INCLUDED)

For Model: MED5700TQ0

(White)

Illus. No.	Part No.	DESCRIPTION
-------------------	-----------------	--------------------

ACCESSORY PARTS

	279948	Kit, Dryer Repair
	3406839	Dry Rack
	8522199	Kit, Dryer Vent Testing

PAINT, TOUCH-UP (1/2oz.)

	72017	White
--	-------	-------

PAINT, PRESSURIZED SPRAY (12 oz.)

	350930	White
	350938	Primer, Gray

PAINT, BULK (1 qt.)

	799344	White (Uncut)
--	--------	---------------

FOR ORDERING INFORMATION REFER TO PARTS PRICE LIST

Free Manuals Download Website

<http://myh66.com>

<http://usermanuals.us>

<http://www.somanuals.com>

<http://www.4manuals.cc>

<http://www.manual-lib.com>

<http://www.404manual.com>

<http://www.luxmanual.com>

<http://aubethermostatmanual.com>

Golf course search by state

<http://golfingnear.com>

Email search by domain

<http://emailbydomain.com>

Auto manuals search

<http://auto.somanuals.com>

TV manuals search

<http://tv.somanuals.com>