

FOR ORDERING INFORMATION REFER TO PARTS PRICE LIST

CABINET PARTS

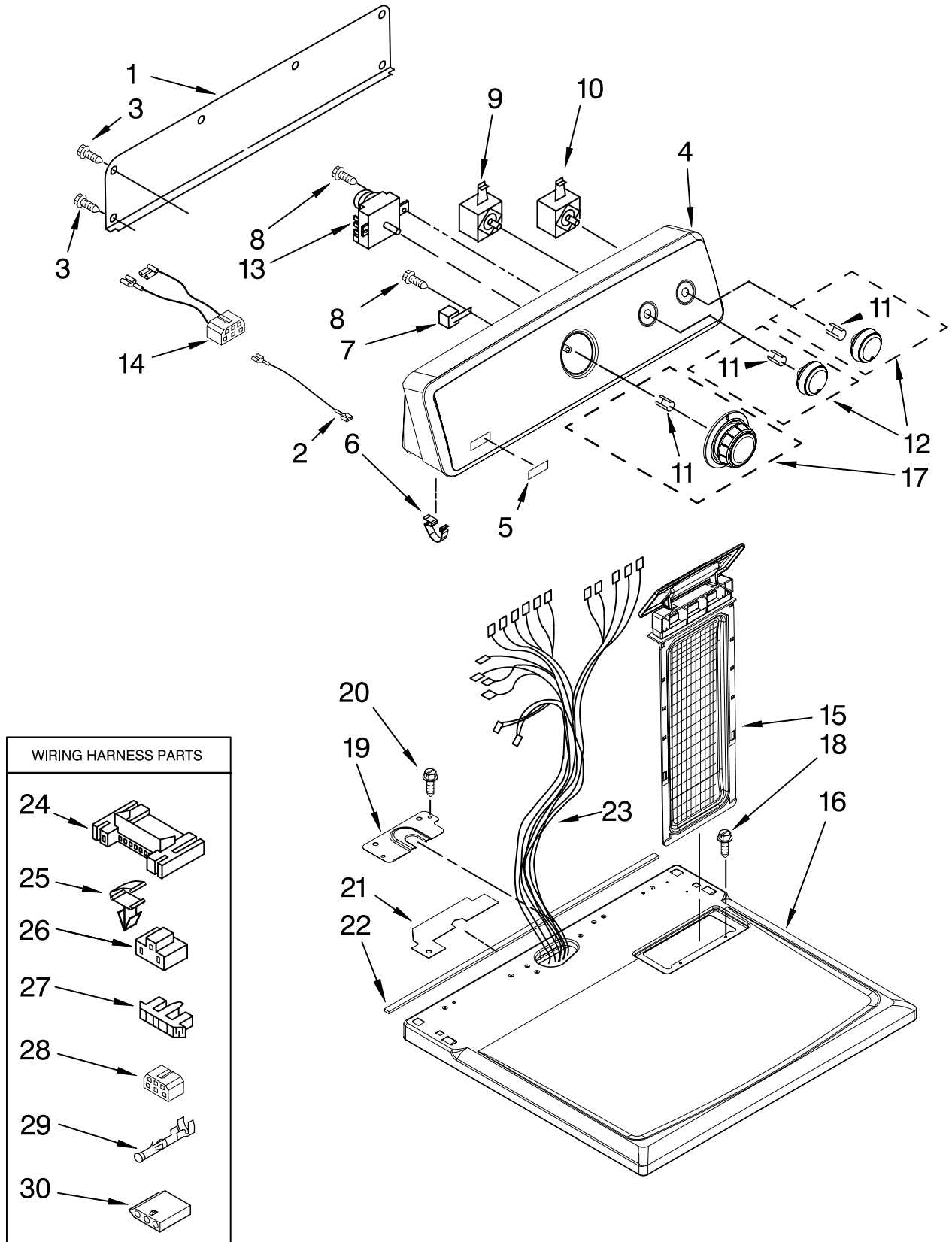
For Model: MED5600TQ0
(White)

Illus. No.	Part No.	DESCRIPTION	Illus. No.	Part No.	DESCRIPTION	Illus. No.	Part No.	DESCRIPTION
1		Literature Parts	15	3394083	Clip, Front Panel (2)	27	3402335	Door, Front
	W10088770	Use & Care Guide				28	8565970	Handle, Door
	8576817	Wiring Diagram	16	3392100	Foot, Dryer	29	279393	Terminal Block
	W10089170	Sheet, Cycle Feature		279810	Foot-Optional (Extended Length Package of 2) (Not Included)			Kit (For Terminal Block)
2	343641	Screw, 10-16 x 1/2				30	697776	Screw, 10-32 x 5/8
3	693995	Screw, 8-18 x 3/8	17	279318	Terminal, Tinned & Brass (3) (Includes Item 39)	31	3397659	Block, Terminal
4	8541400	Bracket, Cabinet				32	3404162	Clamp-Motor (W/Shield)
5	3396795	Cover, Block	18	8530603	Cabinet (Includes Item 4)	33	660658	Clamp, Motor
6	3403630	Plug-Strike				34	8066206	Motor Assembly 60 HZ.
7	3396805	Panel, Rear	19	3403444	Panel, Front	35	8066184	Pulley, 60 Hz.
8	690363	Lock, Front Top (2)	20	3403431	Strike, Door	36	691366	Idler & Pulley Assembly
9	98234	Clip, Ground	21	3406129	Seal & Bearing Assembly	37	W10131364	Belt, Drive
10	3406107	Door Switch Assembly	22	3389441	Catch, Door Assembly	38	348780	Base, Motor
11	697773	Screw, 6-20 x 7/8				39	3400500	Bolt, 5/16-18 x 3/4
12	3404413	Plug-Hole	23	342055	Screw, 8-18 x 1/2	40	8066217	Hinge, Top (2)
13	685203	Clip, Felt Pad (3)	24	3405514	Hinge, Door			
14	3393008	Screw, 10-16 x 1/2	25	3405246	Seal-Door			
			26	3402341	Door, Rear			

FOR ORDERING INFORMATION REFER TO PARTS PRICE LIST

TOP AND CONSOLE PARTS

For Model: MED560TQ0



FOR ORDERING INFORMATION REFER TO PARTS PRICE LIST

TOP AND CONSOLE PARTS

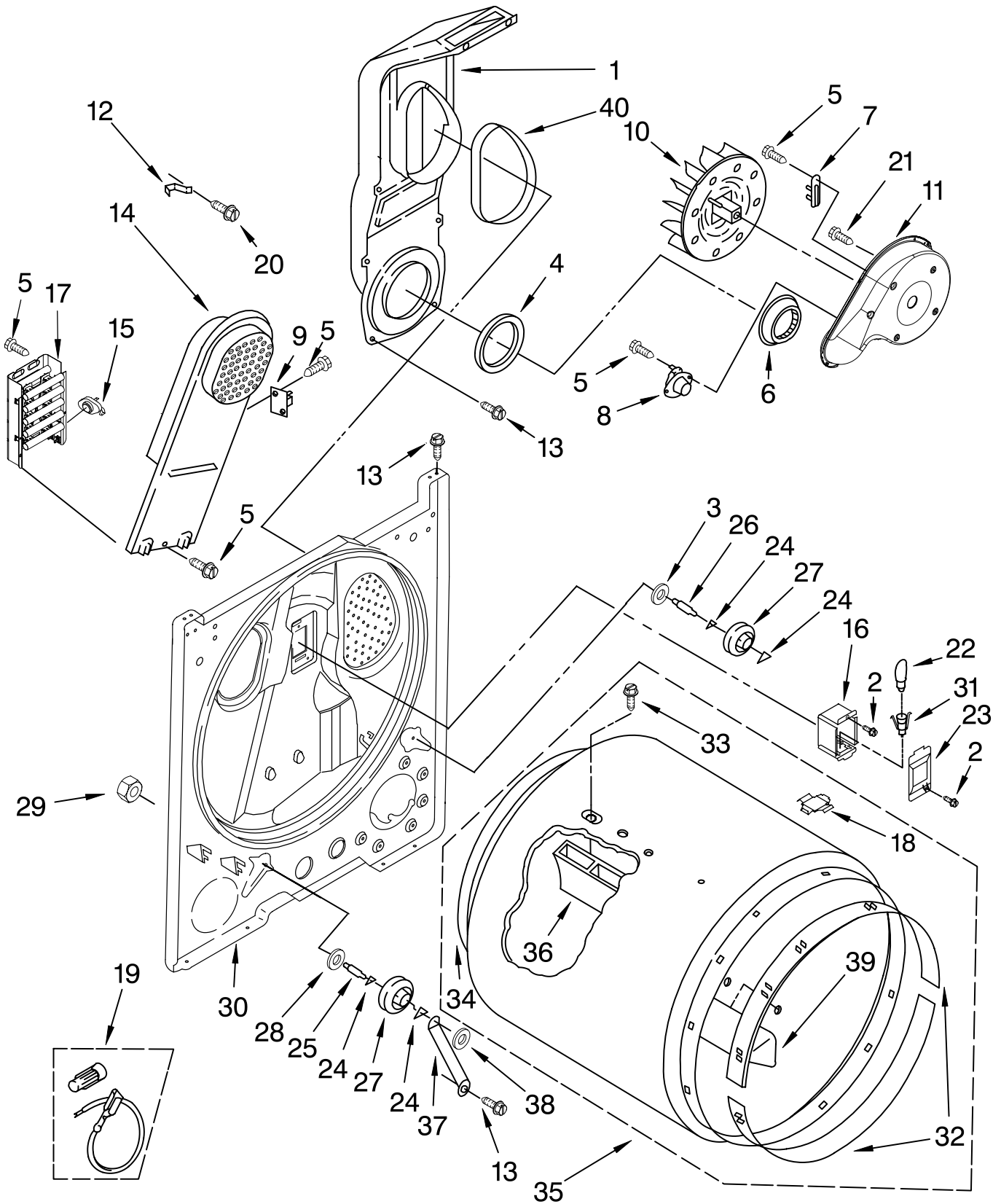
For Model: MED5600TQ0
(White)

Illus. No.	Part No.	DESCRIPTION
1	W10112576	Panel, Rear Console
2	W10113080	Wire, Jumper (Tan)
3	693995	Screw, Hex Head
4	W10086704	Console & Shell Assembly (Includes Items 5 & 6)
5	W10112569	Badge, Assembly
6	8312709	Clip-Console
7	694419	Buzzer, Mini
8	8533971	Screw, 8-18 x 5/16
9	3399639	Switch, Temperature
10	W10117655	Switch, Push-To-Start
11	8536939	Clip, Spring
12	W10110029	Knob, Control (2)
13	3979617	Timer, 60 Hz.
14	W10110861	Wire, Jumper (Temperature)
15	8565972	Screen, Lint
16	W10112597	Top
17	W10110030	Knob Assembly, Timer
18	688983	Screw, 8-18 x 5/8
19	8565981	Bracket, Harness
20	337686	Screw, 8/18 x 1/2
21	W10118608	Seal, Harness
22	W10112267	Seal, Foam Console Bracket
23	W10110864	Harness, Wiring
24	3395683	Connector (Motor)
25	3394427	Clip, Harness
26	3401144	Connector (PTS Relay)
27	3397269	Connector (Timer)
28	3347243	Connector 6-Circuit
29	94614	Terminal
30	3936144	Connector

FOR ORDERING INFORMATION REFER TO PARTS PRICE LIST

BULKHEAD PARTS

For Model: MED560TQ0
(White)



FOR ORDERING INFORMATION REFER TO PARTS PRICE LIST

BULKHEAD PARTS

For Model: MED5600TQ0
(White)

Illus. No.	Part No.	DESCRIPTION
1	348368	Lint Chute Assembly
2	487909	Screw, 8-15 x 1/2
3	3388703	Washer-Support
4	347139	Seal, Lint Chute
5	90767	Screw, 8-18 x 3/8
6	696302	Shield, Exhaust
7	3392519	Fuse, Thermal (91C)
8	3387134	Thermostat, Internal-Bias
9	3977393	Thermal, Cut-Off (Includes Item 15)
10	694089	Wheel, Blower
11	8577230	Housing, Blower
12	3398161	Clip
13	343641	Screw, 10-16 x 1/2
14	8541818	Box, Heater
15	3977767	Thermostat, 221°F (105°C)
16	3977373	Bracket, Drum Light
17	3403585	Element, Heater
18	8066086	Drum Hole Plug
19	279457	Wire Kit, Terminal (For Heater Element Wiring Harness Repair)
20	489463	Screw, 8-18 x 5/8
21	3390647	Screw, 8-18 x 1/2
22	3406124	Bulb
23	3402841	Lens, Drum Light
24	690997	Ring, Tri
25	3399506	Shaft, L.H.
26	3399507	Shaft, R.H.
27	3397590	Roller, Support
28	348197	Washer, Support
29	3359452	Nut, 3/8-16
30	3403413	Bulkhead
31	W10136369	Socket Assembly
32	692526	Ring, Bearing (2)
33	W10109200	Screw, 11-16 x 3/4
34	3406130	Seal, Rear Drum
35	695587	Drum Assembly
36	692490	Baffle, Drum (2)
37	3976434	Bracket, Support
38	90296	Clip
39	3403636	Baffle, Drum (1)
40	339956	Seal

FOR ORDERING INFORMATION REFER TO PARTS PRICE LIST

OPTIONAL PARTS (NOT INCLUDED)

For Model: MED5600TQ0
(White)

Illus.	Part	
No.	No.	DESCRIPTION

ACCESSORY PARTS

279948	Kit, Dryer Repair
3406839	Dry Rack
8522199	Kit, Dryer Vent Testing

PAINT, TOUCH-UP (1/2oz.)

72017	White
-------	-------

PAINT, PRESSURIZED SPRAY (12 oz.)

350930	White
350938	Primer, Gray

PAINT, BULK (1 qt.)

799344	White (Uncut)
--------	---------------

FOR ORDERING INFORMATION REFER TO PARTS PRICE LIST

Free Manuals Download Website

<http://myh66.com>

<http://usermanuals.us>

<http://www.somanuals.com>

<http://www.4manuals.cc>

<http://www.manual-lib.com>

<http://www.404manual.com>

<http://www.luxmanual.com>

<http://aubethermostatmanual.com>

Golf course search by state

<http://golfingnear.com>

Email search by domain

<http://emailbydomain.com>

Auto manuals search

<http://auto.somanuals.com>

TV manuals search

<http://tv.somanuals.com>