



## COMMERCIAL DRYER INSTALLATION INSTRUCTIONS

Gas

---

## INSTRUCTIONS D'INSTALLATION D'UN SECHE-LINGE COMMERCIAL

À gaz

---

## INSTRUCCIONES DE INSTALACIÓN – SECADORA COMERCIAL

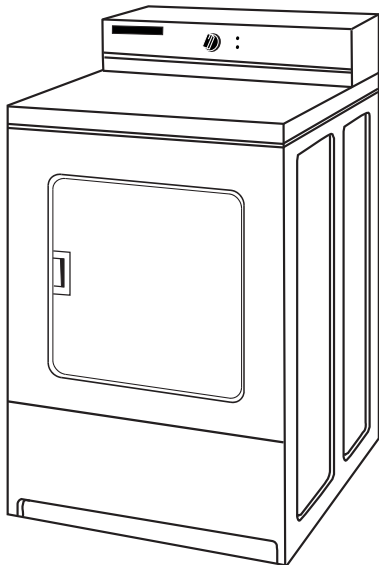
A gas

---

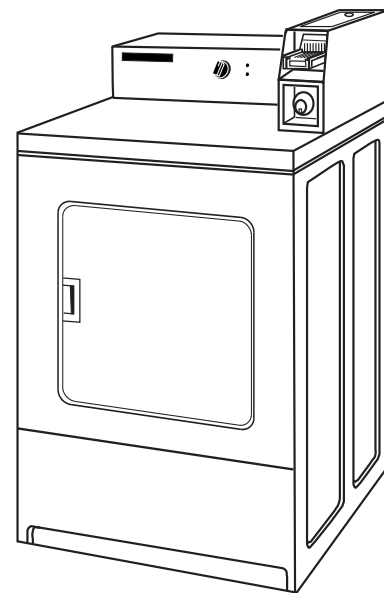
## ISTRUZIONI D'INSTALLAZIONE – ASCIUGATRICE COMMERCIALE

A gas

---



MDG17MN



MDG17CS

W10184551B

[www.maytagcommerciallaundry.com](http://www.maytagcommerciallaundry.com)

---

## TABLE OF CONTENTS

<b>DRYER SAFETY</b> .....	3	<b>INSTALLATION INSTRUCTIONS – GAS DRYER</b> .....	9
<b>DRYER DISPOSAL</b> .....	4	Install Leveling Legs.....	9
<b>INSTALLATION REQUIREMENTS</b> .....	4	Make Gas Connection .....	9
Tools and Parts .....	4	Connect Vent .....	9
Location Requirements .....	4	Complete Installation .....	9
Electrical Requirements .....	6	<b>MAINTENANCE INSTRUCTIONS</b> .....	10
Gas Supply Requirements .....	6	<b>TECHNICAL SPECIFICATIONS – GAS DRYER</b> .....	10
Venting Requirements .....	7	<b>WARRANTY</b> .....	11

---

## TABLE DES MATIÈRES

<b>SECURITE DU SECHE-LINGE</b> .....	12	<b>INSTRUCTIONS D'INSTALLATION –</b>	
<b>ÉLIMINATION DU SECHE-LINGE</b> .....	13	<b>SECHE-LINGE A GAZ</b> .....	18
<b>EXIGENCES D'INSTALLATION</b> .....	13	Installation des pieds de nivellement.....	18
Outillage et pièces .....	13	Raccordement à la canalisation de gaz .....	19
Exigences d'emplacement .....	14	Raccordement du conduit d'évacuation .....	19
Spécifications électriques .....	15	Achever l'installation .....	19
Spécifications de l'alimentation en gaz .....	16	<b>INSTRUCTIONS D'ENTRETIEN</b> .....	20
Exigences concernant l'évacuation .....	17	<b>FICHE TECHNIQUE – SECHE-LINGE A GAZ</b> .....	20
		<b>GARANTIE</b> .....	21

---

## ÍNDICE

<b>SEGURIDAD DE LA SECADORA</b> .....	22	<b>INSTRUCCIONES DE INSTALACIÓN –</b>	
<b>ELIMINACIÓN DE LA LAVADORA</b> .....	23	<b>SECADORA A GAS</b> .....	28
<b>REQUISITOS DE INSTALACIÓN</b> .....	23	Instalación de las patas niveladoras .....	28
Piezas y herramientas .....	23	Conexión del suministro de gas.....	28
Requisitos de ubicación.....	23	Conexión del ducto de escape .....	28
Requisitos eléctricos .....	25	Complete la instalación .....	28
Requisitos del suministro de gas.....	25	<b>INSTRUCCIONES DE MANTENIMIENTO</b> .....	29
Requisitos de ventilación .....	26	<b>ESPECIFICACIONES TÉCNICAS – SECADORA A GAS</b> .....	29
		<b>GARANTÍA</b> .....	30

---

## INDICE

<b>SICUREZZA DELL'ASCIUGATRICE</b> .....	31	<b>ISTRUZIONI DI INSTALLAZIONE – ASCIUGATRICE</b>	
<b>L'ELIMINAZIONE DELL'ASCIUGATRICE</b> .....	32	<b>A GAS</b> .....	37
<b>REQUISITI D'INSTALLAZIONE</b> .....	32	Installazione dei piedini di regolazione .....	37
Attrezzi e componenti.....	32	Eeguire il collegamento gas .....	37
Requisiti di ubicazione .....	32	Connessione dello scarico .....	37
Requisiti elettrici .....	34	Completamento dell'installazione .....	38
Requisiti di alimentazione del gas.....	34	<b>ISTRUZIONI DI MANUTENZIONE</b> .....	39
Requisiti di scarico .....	35	<b>DATI TECNICI – ASCIUGATRICE A GAS</b> .....	39
		<b>GARANZIA</b> .....	40

# DRYER SAFETY

## Your safety and the safety of others are very important.

We have provided many important safety messages in this manual and on your appliance. Always read and obey all safety messages.



This is the safety alert symbol.

This symbol alerts you to potential hazards that can kill or hurt you and others.

All safety messages will follow the safety alert symbol and either the word "DANGER" or "WARNING."

These words mean:

**⚠ DANGER**

You can be killed or seriously injured if you don't immediately follow instructions.

**⚠ WARNING**

You can be killed or seriously injured if you don't follow instructions.

All safety messages will tell you what the potential hazard is, tell you how to reduce the chance of injury, and tell you what can happen if the instructions are not followed.

## FOR YOUR SAFETY

1. Do not use or store petrol or other flammable materials in this appliance or near this appliance.
2. Do not spray aerosols in the vicinity of this appliance while it is in operation.
3. Do not modify this appliance.

**WARNING: For your safety, the information in this manual must be followed to minimize the risk of fire or explosion, or to prevent property damage, personal injury, or death.**

- Do not store or use petrol or other flammable vapors and liquids in the vicinity of this or any other appliance.
- **WHAT TO DO IF YOU SMELL GAS:**
  - Do not try to light any appliance.
  - Do not touch any electrical switch; do not use any phone in your building.
  - Clear the room, building, or area of all occupants.
  - Immediately call your gas supplier from a neighbor's phone. Follow the gas supplier's instructions.
  - If you cannot reach your gas supplier, call the fire department.
- Installation and service must be performed by a qualified installer, service agency, or the gas supplier.

# DRYER DISPOSAL



This appliance is marked according to the European directive 2002/ 96/ EC on Waste Electrical and Electronic Equipment (WEEE).

By ensuring this product is disposed of correctly, you will help avoid potential negative consequences for the environment and human health, which could otherwise be caused by inappropriate waste handling of this product.

The symbol on the product, or on the documents accompanying the product, indicates that this appliance may not be treated as household waste. Instead it shall be handed over to the applicable collection point for the recycling of electrical and electronic equipment.

Disposal must be carried out in accordance with local environmental regulations for waste disposal.

For more detailed information about treatment, recovery and recycling of this product, please contact your local city office, your household waste disposal service or the shop where you purchased the product.

## INSTALLATION REQUIREMENTS

### Tools and Parts

Gather the required tools and parts before starting installation. Read and follow the instructions provided with any tools listed here.

#### Tools needed:

- 200 mm (8") or 250 mm (10") Pipe wrench
- 200 mm (8") or 250 mm (10") Adjustable wrench
- Flat-blade screwdriver
- Phillips screwdriver
- Adjustable wrench that opens to 25 mm (1") or hex-head socket wrench
- Level
- 8 mm (<sup>5</sup>/<sub>16</sub>") socket wrench
- Utility knife
- Vent clamps
- Pipe-joint compound resistant to LP gas
- Caulk gun and caulk (for installing new exhaust vent)
- Pliers
- Putty knife

#### Parts supplied:

Remove parts bag from dryer drum. Check that all parts were included.

- Foot boot (4)
- Dryer foot (4)

**NOTE:** The circuit diagram for this machine is located inside the lower front panel.

### Location Requirements

#### **⚠ WARNING**



#### **Explosion Hazard**

**Keep flammable materials and vapors, such as petrol, away from dryer.**

**Do not install in a garage.**

**Failure to do so can result in death, explosion, or fire.**

#### **If installing a gas dryer:**

**IMPORTANT:** Observe all governing codes and ordinances.

- Check code requirements: Some codes limit or do not permit installation of clothes dryers in garages, closets, or sleeping quarters. Contact your local building inspector.
- Make sure that lower edges of the cabinet, plus the back and bottom sides of the dryer, are free of obstructions to permit adequate clearance of air openings for combustion air. See "Recessed Area and Closet Installation Instructions" below for minimum spacing requirements.

**NOTE:** The dryer must not be installed in an area where it will be exposed to water and/or weather.

## Recessed Area and Closet Installation Instructions

This dryer may be installed in a recessed area or closet. This dryer must not be installed behind a lockable door, a sliding door, or a door with a hinge on the opposite side to that on the dryer.

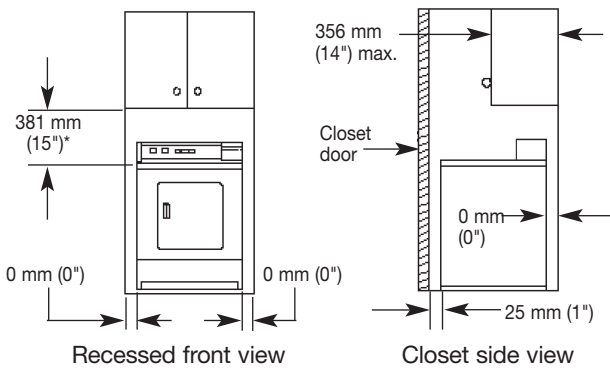
The installation spacing is in millimeters and is the minimum allowable. Additional spacing should be considered for ease of installation, servicing, and compliance with local codes and ordinances.

If installed in a closet with a door, the minimum unobstructed air opening in the top and bottom is required. Louvered doors with equivalent air openings are acceptable.

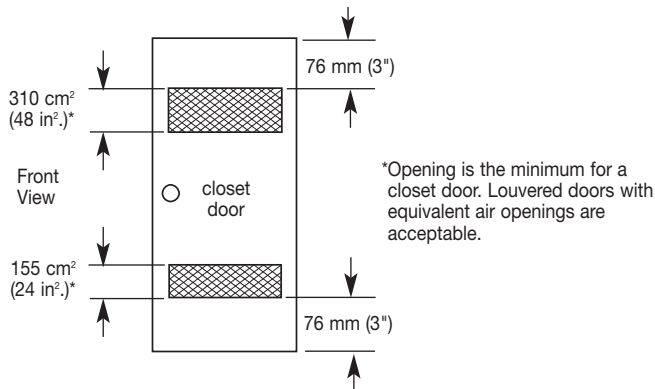
The dryer must be exhausted outdoors.

No other fuel-burning appliance may be installed in the same closet as the dryer.

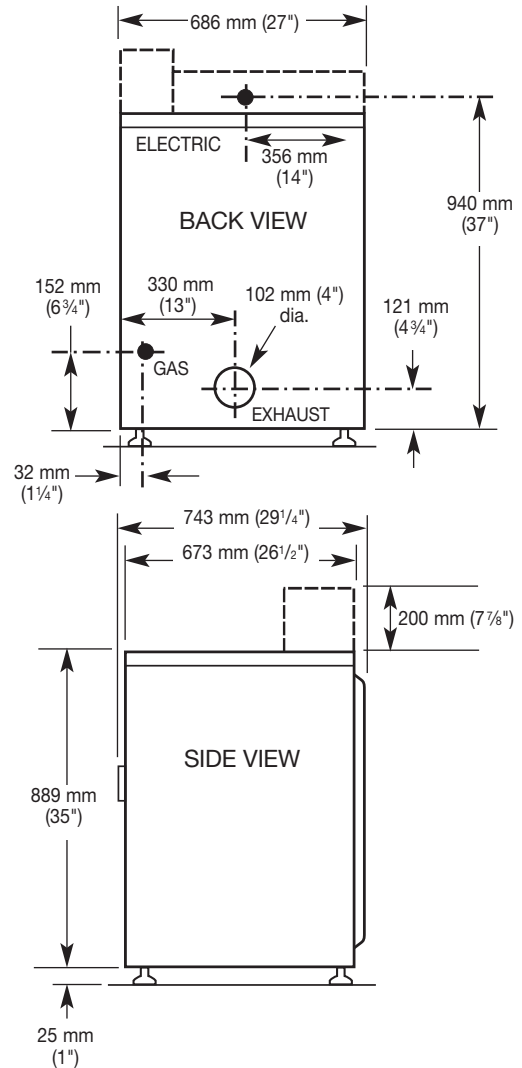
### Minimum Installation Clearances



Additional clearances for wall, door, and floor moldings may be required or if external exhaust elbow is used.



## Product Dimensions 686 mm (27") dryer



## Electrical Requirements - Gas Dryer

**Important:** Observe all governing codes and ordinances.

This dryer is supplied/fitted with an electricity supply cord and plug. It should be connected to electricity supply socket at the voltage shown on the rating plate. The minimum supply fuse capacity should be 5A. The dryer must be positioned so that the plug is accessible. If the fitted plug is not used, the electrical connection must be carried out by a competent electrician in accordance with local or national codes.

If the supply cord is damaged, it must be replaced with a specially terminated cord by an authorized service agent or a similarly competent person in order to avoid a hazard.

Do not use an adapter.

Do not use an extension cord.

### ⚠ WARNING



#### Electric Shock Hazard

This is a 3-wire appliance which must be earthed.

Do not earth to a gas pipe.

Do not change the power supply cord plug. If it does not fit the outlet, have a proper outlet installed by a qualified electrician.

Do not use an extension cord with this dryer.

Failure to follow these instructions could result in death, fire, or serious injury.

If codes permit and an additional earth bond wire is used, it is recommended that a qualified electrician determine that the earth bond path is adequate.

### EARTHING INSTRUCTIONS

■ For an earthed cord-connected dryer:  
This dryer must be earthed. In the event of a malfunction or breakdown, grounding will reduce the risk of electric shock by providing a path of least resistance for electric current. This dryer is equipped with a cord having an equipment-earthing conductor and a earthing plug. The plug must be plugged into an appropriate outlet that is properly installed and earthed in accordance with all local codes and ordinances.

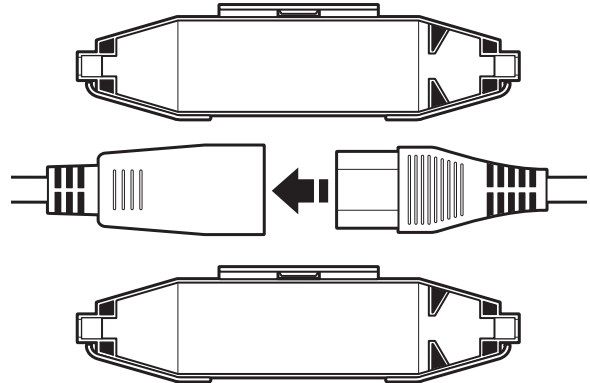
**WARNING:** Improper connection of the equipment-earthing conductor can result in a risk of electric shock. Check with a qualified electrician or service representative or personnel if you are in doubt as to whether the dryer is properly earthed. Do not modify the plug provided with the dryer: if it will not fit the outlet, have a proper outlet installed by a qualified electrician.

**SAVE THESE INSTRUCTIONS**

### Using the universal cord included with this dryer:

The gas dryer is equipped with a universal cord with interchangeable plugs.

1. To use the universal cord, select the plug end that fits your electrical outlet, and plug it into the adapter on the supply cord.
2. Secure the plug end in place on the cord by aligning the 2 cover halves over the cord adapter and clipping them together.



## Gas Supply Requirements

### ⚠ WARNING



#### Explosion Hazard

Connect this dryer to a regulated gas supply. Supply pressure must be in accordance with the Technical Specifications (see last page).

Install a shut-off valve.

Securely tighten all gas connections.

If connected to LP, have a qualified person make sure gas pressure is correct.

Failure to do so can result in death, explosion, or fire.

**IMPORTANT:** Observe all governing codes and ordinances.

### Gas Supply

Before installation, check that the local gas distribution conditions, nature of gas and pressure, and the adjustment of the appliance are compatible. Burner information will be found on the model/serial rating plate in the door recess of the dryer. If this information does not agree with the type of gas available, see your dealer.

## Natural Gas:

This dryer is factory adjusted for use with NATURAL GAS (G20), and no further adjustment should be required at installation.

## L.P. Gas:

This dryer is also certified for use with L.P. (propane or butane) gases with appropriate conversion. No attempt shall be made to convert the appliance from the gas specified on the model/serial rating plate for use with a different gas without consulting the serving gas supplier.

Conversion must be done by a competent service technician. Gas conversion kit, part number W10233219, is available for purchase from your dealer. Full instructions are supplied with the kit.

## Natural gas (France/Belgium):

This dryer is also certified for France/Belgium for use with G20/G25 gases (20 mbar/25 mbar) with appropriate conversion. No attempt should be made to convert this appliance from the gas specified on the gas rating label for use with a different gas without consulting the serving gas supplier. Gas conversion must be done by a qualified gas service technician. Conversion kit, part number (W10181947) is available for purchase from your dealer. Full instructions are supplied with the kit.

## Supply line requirements:

Provide a rigid gas supply line to the dryer location. It should be minimum 12.5 mm (1/2") ID. When acceptable to the gas supplier and local codes, 10 mm (3/8") ID rigid supply line may be used for lengths under 6.1 m (20'). Pipe-joint compounds resistant to the action of L.P. gas must be used.

Gas connection to the dryer itself should be made by means of a flexible gas hose suitable for the appliance and gas category in accordance with national installation regulations. If in doubt, contact the gas supplier. It should be minimum 10 mm (3/8") ID.

A means of restraint should be used between the appliance and the wall to prevent straining of the rigid gas supply when the appliance is moved. An appropriate length of chain and a wall hook is recommended.

The dryer gas inlet connection is a 3/8" NPT thread. An adapter is supplied for conversion to standard ISO.228-1 thread (3/8" BSP).

Check for leaks by using an approved noncorrosive leak-detection solution. Bubbles will show a leak. Correct any leak found. A pressure measurement tapping is provided on the gas valve within the dryer, accessible after removal of the lower front panel.

The dryer must be disconnected from the gas supply piping system during any pressure testing of that system.

## Venting Requirements

### **⚠ WARNING**



#### **Fire Hazard**

**Use a heavy metal vent.**

**Do not use a plastic vent.**

**Do not use a metal foil vent.**

**Failure to follow these instructions can result in death or fire.**

**WARNING:** To reduce the risk of fire, this dryer **MUST BE EXHAUSTED OUTDOORS.**

- Adequate ventilation has to be provided to avoid the backflow of gases into the room from other fuel-burning appliances, including open fires (i.e. available airflow into the room should match airflow out from the room).
- The design of the flue system should be such that any condensate formed when operating the dryer from cold shall either be retained and subsequently re-evaporated or discharged.
- The dryer vent must not be discharged into a flue which is used for exhausting fumes from appliances burning gas or other fuels, chimney, wall, ceiling, or a concealed space of a building.
- Do not use an exhaust hood with a magnetic latch.
- Do not install flexible metal vent in enclosed walls, ceilings, or floors.
- 102 mm (4") heavy metal vent and clamps must be used.
- Use clamps to seal all joints. Vent must not be connected or secured with screws or other fastening devices which extend into the interior of the vent and catch lint. Do not use duct tape.

**IMPORTANT:** Observe all governing codes and ordinances.

Use a heavy metal vent. Do not use plastic or metal foil vent.

Rigid metal vent is recommended to prevent crushing and kinking.

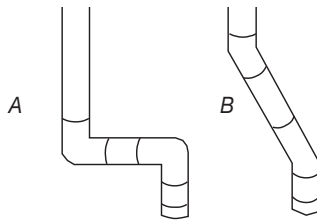
Flexible metal vent must be fully extended and supported when the dryer is in its final position. Remove excess flexible metal vent to avoid sagging and kinking that may result in reduced airflow and poor performance.

An exhaust hood should cap the vent to prevent rodents and insects from entering the home or business.

Exhaust hood must be at least 30.5 cm (12") from the ground or any object that may be in the path of the exhaust (such as flowers, rocks, or bushes).

If using an existing vent system, clean lint from the entire length of the system and make sure exhaust hood is not plugged with lint. Replace any plastic or metal foil vent with rigid metal or flexible metal vent.

Plan installation to use the fewest number of elbows and turns.



Exhaust Air Flow  
A. Good  
B. Better

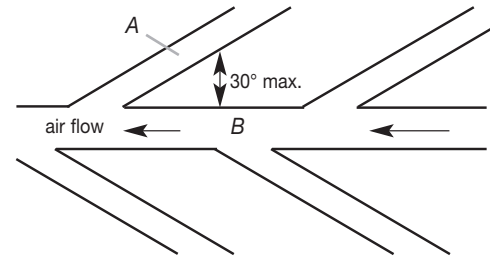
Allow as much room as possible when using elbows or making turns. Bend vent gradually to avoid kinking.

Vent outlet is located at the center of the bottom dryer back.

The vent can be routed up, down, left, right, behind the dryer, or straight out the back of the dryer.

Each vent should enter the main vent at an angle pointing in the direction of the airflow. Vents entering from the opposite side should be staggered to reduce the exhausted air from interfering with the other vents.

The maximum angle of each vent entering the main vent should be no more than 30°.

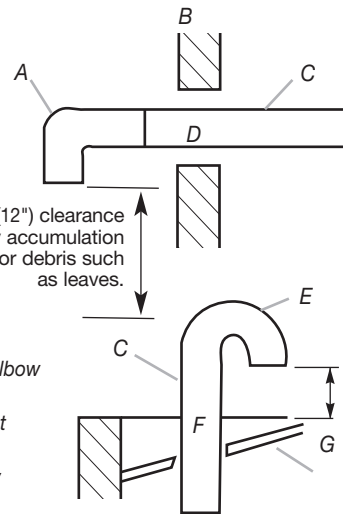


A. Individual dryer vent  
B. Main vent

Keep air openings free of dry cleaning fluid fumes. Fumes create acids which, when drawn through the dryer heating units, can damage dryers and loads being dried.

A clean-out cover should be located on the main vent for periodic cleaning of the vent system.

**If an exhaust hood cannot be used:**



A. Exhaust hood or elbow  
B. Wall  
C. Main collector vent  
D. Horizontal vent  
E. 180° sweep elbow  
F. Vertical vent  
G. Roof

The outside end of the main vent should have a sweep elbow directed downward. If the main vent travels vertically through the roof, rather than through the wall, install a 180° sweep elbow on the end of the vent at least 610 mm (2 ft.) above the highest part of the building. The opening in wall or roof shall have a diameter 13 mm (½") larger than the vent diameter. The vent should be centered in the opening.

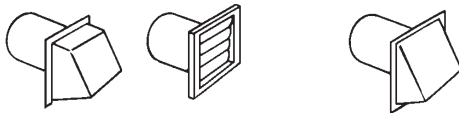
Do not install screening or cap over the end of the vent.

## Vent System Length

Maximum length of vent system depends upon the type of vent used, number of elbows, and type of exhaust hood.

### Maximum Vent Length

102 mm (4") Diameter Exhaust Hoods



#### Rigid Metal Vent

No. of 90° turns	Box Hood and Louvered Style	Angled Hood Style
0	19.5 m (64 ft.)	17.7 m (58 ft.)
1	16.5 m (54 ft.)	14.6 m (48 ft.)
2	13.4 m (44 ft.)	11.6 m (38 ft.)
3	10.7 m (35 ft.)	8.8 m (29 ft.)
4	8.2 m (27 ft.)	6.4 m (21 ft.)

If dryer is installed in a confined area, such as a bedroom, bathroom, or closet, provision must be made for enough air for combustion and ventilation. (Check governing codes and ordinances.) See "Recessed Area and Closet Installation Instructions" in the "Location requirements" section.

A 102 mm (4") outlet hood is preferred. However, a 64 mm (2½") outlet exhaust hood may be used. A 64 mm (2½") outlet creates greater back pressure than other hood types. For permanent installation, a stationary vent system is required.

## Multiple Dryer Venting

- A main vent can be used for venting a group of dryers. Main vent should be sized to remove 5663 l/min (200 CFM) of air per dryer. Large-capacity lint screens of proper design may be used in the main vent if checked and cleaned frequently. The room where the dryers are located should have make-up air equal to or greater than the airflow of all the dryers in the room.
- Back-draft Damper Kit, Part No. 3391910, is available from your dealer and should be installed in each dryer's vent to prevent exhausted air from returning into the dryers and to keep the exhaust in balance within the main vent. Unobstructed air openings are required.



# INSTALLATION INSTRUCTIONS – GAS DRYER

## Install Leveling Legs

### **WARNING**

#### **Excessive Weight Hazard**

**Use two or more people to move and install dryer.  
Failure to do so can result in back or other injury.**

**NOTE:** Slide dryer onto cardboard or hardboard before moving to avoid damaging floor covering.

1. Using two or more people, move dryer to desired installation location.
2. Take tape off front corners of dryer. Open dryer and remove the literature and parts packages. Wipe the interior of the drum thoroughly with a damp cloth.
3. Take two of the cardboard corners from the carton and place them on the floor in back of the dryer. Firmly grasp the body of the dryer and gently lay it on its back on the cardboard corners.
4. With one of the legs in hand, check the ridges for a diamond marking. That's how far the leg is supposed to go into the hole.
5. Start to screw the leveling legs into the holes by hand. (Use a small amount of liquid detergent to lubricate the screw threads so it is easier to turn the legs.) Use a 1" (25 mm) wrench or socket wrench to finish turning the legs until you reach the diamond mark. Then fit a protective foot boot over each foot.
6. Now stand the dryer up.
7. Remove cardboard or hardboard from under dryer. Adjust the legs of the dryer up or down until the dryer is level.

## Make Gas Connection

### **WARNING**

#### **Excessive Weight Hazard**

**Use two or more people to move and install dryer.  
Failure to do so can result in back or other injury.**

1. Remove red cap from gas pipe.
2. Connect gas supply to dryer. If the flexible gas hose has 3/8" BSP thread, use the supplied conversion thread adapter. Use pipe-joint compound resistant to the action of L.P. gas for gas connections.  
  
If necessary for service, open the toe panel. Use a putty knife to press on the 2 toe panel locks located at the top of the toe panel. Pull downward on the toe panel to open. Toe panel is hinged at the bottom.
3. Open the shutoff valve in the gas supply line.
4. Test all connections by brushing on an approved noncorrosive leak-detection solution. Bubbles will show a leak. Correct any leaks found.

## Connect Vent

1. Using a 102 mm (4") clamp, connect vent to exhaust outlet in dryer. If connecting to existing vent, make sure the vent is clean. The dryer vent must fit over the dryer exhaust outlet and inside the exhaust hood. Make sure the vent is secured to exhaust hood with a 102 mm (4") clamp.
2. Move dryer into final position. Do not crush or kink vent. Make sure dryer is level.
3. Check to be sure there are no kinks in the flexible gas line.

## Complete Installation

1. With dryer in final position place level on top of the dryer, first side to side; then front to back. If the dryer is not level, adjust the legs of the dryer up or down until the dryer is level.

### **WARNING**



#### **Electric Shock Hazard**

**This dryer must be earthed.  
Securely tighten all electrical connections.  
Failure to do so can result in death, fire, or electric shock.**

2. Plug into an earthed outlet.
3. Check dryer operation (some accumulated time may be on the timer due to factory testing).  
  
Insert coins in slide and press slide in slowly. (Operating time will accumulate per number of coins and type of timing cam used.) Push START/RESTART button. Using a full heat cycle (not the air cycle), let the dryer run for at least five minutes. Dryer will stop when time is used up.  
**NOTE:** Dryer door must be closed for dryer to operate. When door is open, dryer stops, but timer continues to run. To restart dryer, close door and push START/RESTART button.
4. If the burner does not ignite and you can feel no heat inside the dryer, shut off dryer for five minutes. Check that all supply valve controls are in "ON" position and that the electrical cord is plugged in. Repeat five-minute test.

# MAINTENANCE INSTRUCTIONS

## Maintenance instructions:

- Clean lint screen after each cycle.
- Removing accumulated lint:
  - From inside the dryer cabinet:
 

Lint should be removed every 2 years or more often, depending on dryer usage. Cleaning should be done by a qualified person.
  - From the exhaust vent:
 

Lint should be removed every 2 years, or more often, depending on dryer usage.

## If dryer does not operate, check the following:

- Electric supply is connected.
- Circuit breaker is not tripped or house fuse is not blown.
- Door is closed.
- Controls are set in a running or "ON" position.
- START button has been pushed firmly.
- Check that gas supply shutoff valves are set in open position.

## If you need assistance:

Contact your authorized Maytag Commercial Laundry distributor. When you call, you will need the washer model number and serial number. Both numbers can be found on the serial-rating plate located on your appliance. Or visit: [www.MaytagCommercialLaundry.com](http://www.MaytagCommercialLaundry.com).

# TECHNICAL SPECIFICATIONS - GAS DRYER

220-240V~50Hz 1ph 3A max. IP24 Clothes capacity: 9.0 kg max.		
Factory set for NATURAL GAS: Injector size: 2.2 mm Heat input gross: 5.9 kW		
European Country:	CH, CZ, CY, ES, GB, GR, HR, IE, IT, PT, SI, SK, TR	AT, CH, CY, CZ, DK, EE, FI, GR, HU, IT, NO, RO, SE, SK, TR
European Gas Category:	II <sub>2</sub> H <sub>3</sub> +	II <sub>2</sub> H <sub>3</sub> B/P
Gas Flow Rate:	0.562703 m <sup>3</sup> /hr	0.562703 m <sup>3</sup> /hr
Supply Pressure (G20):	20 mbar	20 mbar
Factory Adjusted Pressure:	7.4 mbar	7.4 mbar
With LP Gas Conversion Kit: Injector size: 1.25 mm Heat input gross: 6.4 kW		
European Country:	CH, CZ, CY, ES, GB, GR, HR, IE, IT, PT, SI, SK, TR	AT, CH, CY, CZ, DK, EE, FI, GR, HU, IT, NO, RO, SE, SK, TR
European Gas Category:	II <sub>2</sub> H <sub>3</sub> +	II <sub>2</sub> H <sub>3</sub> B/P
Butane Supply Pressure (G30):	28-30 mbar	30 mbar
Adjusted Pressure:	N/A	N/A
Propane Supply Pressure (G31):	37 mbar	30 mbar
Adjusted Pressure:	N/A	N/A
With France/Belgium NATURAL GAS conversion kit: Injector size: 1.65 mm Heat input gross: 5.9 kW		
European Country:	FR, BE	
European Gas Category:	I <sub>2</sub> E+	
Supply Pressure (G20):	20 mbar	
Supply Pressure (G25):	25 mbar	
Adjusted Pressure:	N/A	
<p><b>NOTE:</b> Conversion kit : From Natural Gas to LP Gas : Whirlpool Part No. W10233219.                      Conversion kit : From Natural Gas to Natural Gas - France/Belgium: Whirlpool Part No. W10184947.                      Manufacturer : Whirlpool Corporation, Benton Harbor, Michigan 49022, USA.</p>		

---

# MAYTAG COMMERCIAL WASHER, DRYER, STACKED DRYER/ DRYER, COMMERCIAL STACK LAUNDRY, AND MULTI-LOAD COIN OPERATED COMMERCIAL WASHERS AND DRYERS WARRANTY

---

## LIMITED WARRANTY ON PARTS

For the first five years from the date of purchase, when this commercial appliance is installed, maintained and operated according to the instructions attached to or furnished with the product, Maytag brand of Whirlpool Corporation (hereafter "Maytag") will pay for factory specified parts or original equipment manufacturer parts to correct defects in materials or workmanship. Proof of original purchase date is required to obtain service under this warranty.

---

## ITEMS MAYTAG WILL NOT PAY FOR

1. All other costs including labor, transportation, or custom duties.
  2. Service calls to correct the installation of your commercial appliance, to instruct you how to use your commercial appliance, to replace or repair fuses, or to correct external wiring or plumbing.
  3. Repairs when your commercial appliance is used for other than normal, commercial use.
  4. Damage resulting from improper handling of product during delivery, theft, accident, alteration, misuse, abuse, fire, flood, acts of God, improper installation, installation not in accordance with local electrical or plumbing codes, or use of products not approved by Maytag.
  5. Pickup and Delivery. This commercial appliance is designed to be repaired on location.
  6. Repairs to parts or systems resulting from unauthorized modifications made to the commercial appliance.
  7. The removal and reinstallation of your commercial appliance if it is installed in an inaccessible location or is not installed in accordance with published installation instructions.
  8. Chemical damage is excluded from all warranty coverage.
  9. Changes to the building, room, or location needed in order to make the commercial appliance operate correctly.
- 

## DISCLAIMER OF IMPLIED WARRANTIES; LIMITATIONS OF REMEDIES

CUSTOMER'S SOLE AND EXCLUSIVE REMEDY UNDER THIS LIMITED WARRANTY SHALL BE PRODUCT REPAIR AS PROVIDED HEREIN. IMPLIED WARRANTIES, INCLUDING WARRANTIES OF MERCHANTABILITY OR FITNESS FOR A PARTICULAR PURPOSE, ARE LIMITED TO ONE YEAR OR THE SHORTEST PERIOD ALLOWED BY LAW. WHIRLPOOL SHALL NOT BE LIABLE FOR INCIDENTAL OR CONSEQUENTIAL DAMAGES. SOME STATES AND PROVINCES DO NOT ALLOW THE EXCLUSION OR LIMITATION OF INCIDENTAL OR CONSEQUENTIAL DAMAGES, OR LIMITATIONS ON THE DURATION OF IMPLIED WARRANTIES OF MERCHANTABILITY OR FITNESS, SO THESE EXCLUSIONS OR LIMITATIONS MAY NOT APPLY TO YOU. THIS WARRANTY GIVES YOU SPECIFIC LEGAL RIGHTS AND YOU MAY ALSO HAVE OTHER RIGHTS, WHICH VARY FROM STATE TO STATE OR PROVINCE TO PROVINCE.

---

If you need service, please contact your authorized Maytag Commercial Laundry distributor. To locate your authorized Maytag Commercial Laundry distributor, or for web inquiries, visit [www.MaytagCommercialLaundry.com](http://www.MaytagCommercialLaundry.com).

9/07

For written correspondence:

Maytag Commercial Laundry Service Department  
2000 M-63 North  
Benton Harbor, Michigan 49085 USA

# SECURITE DU SECHE-LINGE

## Votre sécurité et celle des autres est très importante.

Nous donnons de nombreux messages de sécurité importants dans ce manuel et sur votre appareil ménager. Assurez-vous de toujours lire tous les messages de sécurité et de vous y conformer.



Voici le symbole d'alerte de sécurité.

Ce symbole d'alerte de sécurité vous signale les dangers potentiels de décès et de blessures graves à vous et à d'autres.

Tous les messages de sécurité suivront le symbole d'alerte de sécurité et le mot "DANGER" ou "AVERTISSEMENT". Ces mots signifient :

**! DANGER**

**Risque possible de décès ou de blessure grave si vous ne suivez pas immédiatement les instructions.**

**! AVERTISSEMENT**

**Risque possible de décès ou de blessure grave si vous ne suivez pas les instructions.**

Tous les messages de sécurité vous diront quel est le danger potentiel et vous disent comment réduire le risque de blessure et ce qui peut se produire en cas de non-respect des instructions.

## POUR VOTRE SÉCURITÉ

1. Ne pas utiliser ou remiser d'essence ou autres matériaux inflammables dans cet appareil ménager ou à proximité de celui-ci.
2. Ne pas vaporiser d'aérosols à proximité de cet appareil ménager lorsqu'il est en fonctionnement.
3. Ne pas modifier cet appareil ménager.

**AVERTISSEMENT : Pour votre sécurité, les renseignements dans ce manuel doivent être observés pour réduire au minimum les risques d'incendie ou d'explosion ou pour éviter des dommages au produit, des blessures ou un décès.**

- **Ne pas entreposer ou utiliser de l'essence ou d'autres vapeurs ou liquides inflammables à proximité de cet appareil ou de tout autre appareil électroménager.**
- **QUE FAIRE DANS LE CAS D'UNE ODEUR DE GAZ :**
  - **Ne pas tenter d'allumer un appareil.**
  - **Ne pas toucher à un commutateur électrique; ne pas utiliser le téléphone se trouvant sur les lieux.**
  - **Évacuer tous les gens de la pièce, de l'édifice ou du quartier.**
  - **Appeler immédiatement le fournisseur de gaz d'un téléphone voisin. Suivre ses instructions.**
  - **À défaut de joindre votre fournisseur de gaz, appeler les pompiers.**
- **L'installation et l'entretien doivent être effectués par un installateur qualifié, une agence de service ou le fournisseur de gaz.**

# ÉLIMINATION DU SECHE-LINGE



Le marquage de l'appareil est conforme à la directive européenne 2002/ 96/ EC sur les équipements électroniques et électriques, pour gestion des déchets.

En veillant à l'élimination correcte de ce produit, vous éviterez d'éventuelles conséquences néfastes pour l'environnement et la santé humaine qui peuvent être associées au traitement inapproprié de ce produit lorsqu'il a été mis au rebut.

Le symbole figurant sur le produit ou dans les documents qui accompagnent le produit indique que cet appareil ne doit pas être traité comme déchet ménager; on doit plutôt le remettre à un centre de collecte spécialisé pour le recyclage des équipements électriques et électroniques.

L'élimination de ce produit après mise au rebut doit être effectuée conformément aux prescriptions de la réglementation locale de protection de l'environnement.

Pour l'information détaillée concernant le traitement, le recyclage et la récupération de ce produit, contacter la municipalité locale, le service d'élimination des déchets ménagers, ou le commerçant qui a vendu le produit.

---

## EXIGENCES D'INSTALLATION

### Outillage et pièces

Rassembler les outils et pièces nécessaires avant de commencer l'installation. Lire et respecter les instructions d'installation fournies avec chacun des outils de cette liste.

#### Outillage nécessaire

- Clé à tube de 200 mm (8") ou 250 mm (10")
- Clé à molette de 200 mm (8") ou 250 mm (10")
- Tournevis à lame plate
- Tournevis Phillips
- Clé à molette avec ouverture jusqu'à 25 mm (1") ou clé à douille hexagonale
- Niveau
- Clé à douille de 8 mm (5/16")
- Couteau utilitaire
- Brides de fixation
- Composé d'étanchéité des raccords filetés - résistant au propane
- Pistolet à calfeutrage et composé de calfeutrage (pour l'installation d'un nouveau circuit d'évacuation)
- Pince
- Couteau à mastic

#### Pièces fournies

Retirer le sac de pièces du tambour du sèche-linge. Vérifier la présence de toutes les pièces.

- Patin (4)
- Pied du sèche-linge (4)

**REMARQUE :** Le schéma de circuits de ce sèche-linge se trouve à l'intérieur du panneau inférieur avant.

## Exigences d'emplacement

### **AVERTISSEMENT**



#### Risque d'explosion

**Garder les matières et les vapeurs inflammables, telle que l'essence, loin de la sècheuse.**

**Ne pas installer dans un garage.**

**Le non-respect de ces instructions peut causer un décès, une explosion ou un incendie.**

#### Pour l'installation d'un sèche-linge à gaz :

**IMPORTANT :** Respecter les dispositions de tous les codes et règlements en vigueur.

- Déterminer les exigences des codes : Certains codes limitent ou prohibent l'installation d'un sèche-linge dans un garage, un placard, ou une chambre à coucher. Consulter l'inspecteur local des bâtiments.
- Veiller à ce que les bords inférieurs de la caisse ainsi que l'arrière et les côtés inférieurs du sèche-linge soient exempts d'obstructions, afin de permettre le passage adéquat de l'air de combustion. Voir la section "Instructions d'installation dans un placard ou un encastrement" pour l'espace de dégagement minimal.

**NOTE :** Le sèche-linge ne doit pas être installé en un endroit où il serait exposé à de l'eau ou aux intempéries.

## Instructions pour l'installation dans un placard ou un encastrement

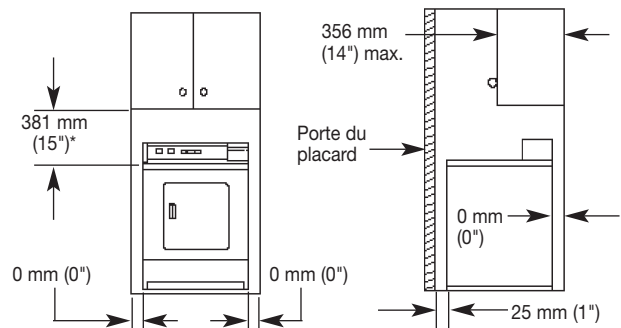
Ce sèche-linge peut être installé dans un placard ou un encastrement. Ce sèche-linge ne doit pas être installé derrière une porte verrouillable, coulissante, ou une porte avec charnière du côté opposé de l'emplacement de celle du sèche-linge.

Les distances de séparation sont exprimées en millimètre; il s'agit des distances minimales. Il est utile de prévoir des distances de séparation supérieures pour faciliter l'installation et les travaux d'entretien, ou si ceci est exigé par les codes et règlements locaux.

Si la porte du placard est installée, on doit respecter la taille minimale des ouvertures d'entrée d'air au sommet et en bas. On peut utiliser une porte à jalousies offrant une surface de passage d'air équivalente.

Le circuit d'évacuation du sèche-linge doit être relié à l'extérieur. Aucun autre appareil utilisant un combustible ne doit être installé dans le même placard.

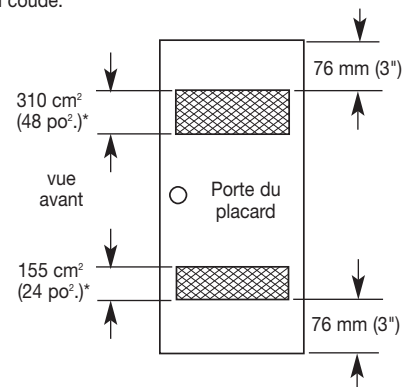
### Distances de séparation minimales



Encastrement, vue avant

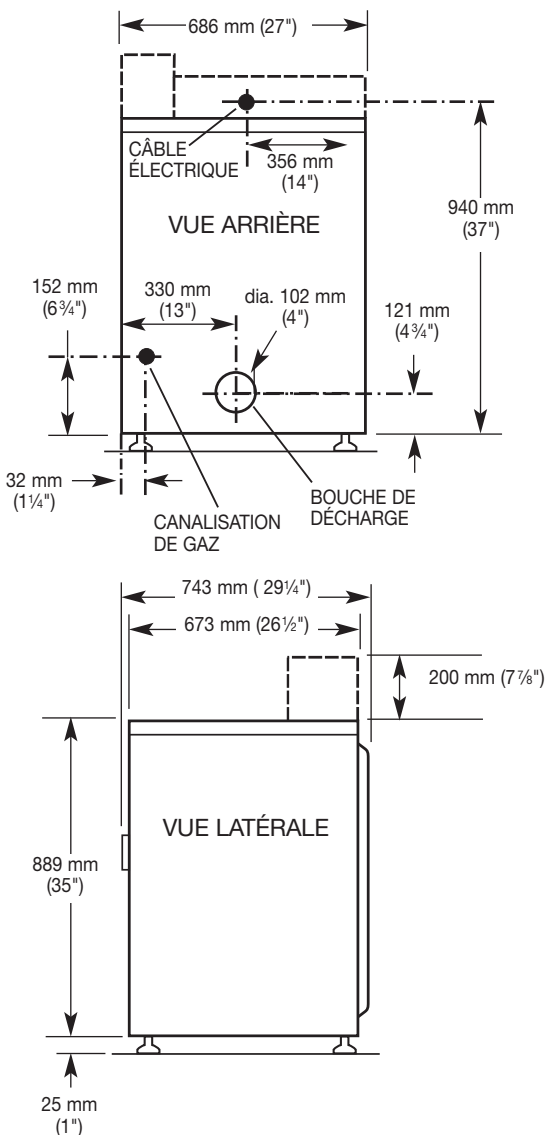
Placard, vue latérale

On doit prévoir un espacement additionnel pour tenir compte éventuellement des moulures du mur, de la porte et du plancher, ou si le circuit d'évacuation comporte un coude.



\* Taille minimale de l'ouverture pour la porte du placard. On peut utiliser une porte à claire-voie offrant une surface de passage d'air équivalente.

## Dimensions du produit – Sèche-linge de 686 mm (27")



## Spécifications électriques - sèche-linge à gaz

**Important :** Se conformer à tous les codes et règlements en vigueur.

Ce sèche-linge est équipé d'un cordon d'alimentation électrique et d'une fiche. Il doit être connecté à une prise électrique de tension tel qu'indiqué sur la plaque signalétique. La capacité minimale du fusible d'alimentation doit être de 5A. Le sèche-linge doit être installé de façon à ce que la fiche soit accessible. Si la fiche d'origine n'est pas utilisée, la connexion électrique doit être effectuée par un électricien compétent conformément aux codes locaux et nationaux. Si le cordon d'alimentation est endommagé, il doit être remplacé par un cordon à embout spécifique par un agent d'entretien autorisé ou une personne de compétence similaire afin d'éviter tout danger.

Ne pas utiliser d'adaptateur.

Ne pas utiliser de câble de rallonge.

## ⚠ AVERTISSEMENT



### Risque de choc électrique

**Une mise à la terre est nécessaire sur ce sèche-linge.**

**Ne pas utiliser une tuyauterie de gaz pour le raccordement à la terre.**

**Ne pas changer la fiche du cordon d'alimentation. Si elle ne correspond pas à la prise de sortie, faire installer une prise adéquate par un électricien qualifié.**

**Ne pas utiliser de câble de rallonge avec ce sèche-linge.**

**Le non-respect de ces instructions peut causer un décès, un incendie ou des blessures graves.**

Si les codes le permettent et si un conducteur supplémentaire de mise à la terre est utilisé, il est recommandé qu'un électricien qualifié inspecte le parcours du fil de mise à la terre.

## INSTRUCTIONS DE MISE A LA TERRE

■ Ce sèche-linge a été conçu pour être raccordé au secteur et mis à la terre ; la mise à la terre est donc impérative: En cas disfonctionnement ou de panne, la mise à la terre réduira le risque de choc électrique en offrant au courant électrique une voie de moindre résistance. Ce sèche-linge est alimenté par un cordon électrique comportant un conducteur de liaison à la terre et une fiche de mise à la terre. La fiche doit être branchée sur une prise de courant appropriée correctement installée et reliée à la terre conformément à tous les codes et règlements locaux.

**AVERTISSEMENT :** Un raccordement inapproprié du conducteur de liaison à la terre peut causer un risque de choc électrique.

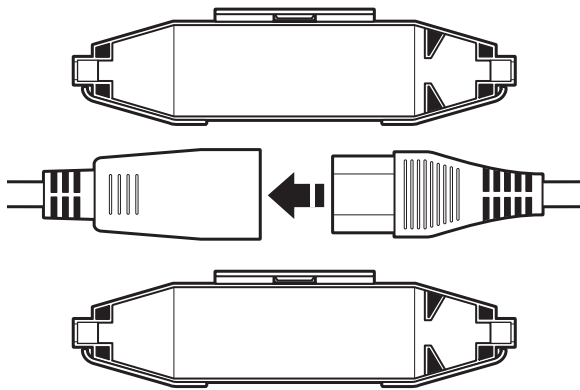
En cas de doute concernant la qualité de la liaison à la terre du sèche-linge, consulter un électricien qualifié, un agent ou personnel d'entretien. Ne pas modifier la fiche fournie avec ce sèche-linge : Si elle ne correspond pas à la prise de sortie, faire installer une prise appropriée par un électricien qualifié.

**CONSERVEZ CES INSTRUCTIONS**

## À l'aide du cordon universel fourni avec ce sèche-linge :

Ce sèche-linge à gaz est équipé d'un cordon universel avec des fiches interchangeables.

1. Pour utiliser le cordon universel, sélectionner la fiche amovible qui correspond à votre prise de courant et brancher dans l'adaptateur placé sur le cordon d'alimentation.
2. Fixer la fiche amovible sur le cordon en alignant les deux moitiés de couvercle sur l'adaptateur et en les emboîtant.



## Spécifications de l'alimentation en gaz

### **⚠ AVERTISSEMENT**



#### **Risque d'explosion**

**Connecter ce sèche-linge à une canalisation d'alimentation en gaz réglementée. La pression de gaz doit être conforme aux exigences techniques (voir dernière page).**

**Installer un robinet d'arrêt.**

**Bien serrer tous les raccords de la ligne de gaz.**

**En cas de connexion au gaz propane, demander à une personne qualifiée de s'assurer que la pression d'alimentation en gaz est correcte.**

**Le non-respect de ces instructions peut causer un décès, une explosion ou un incendie.**

**IMPORTANT : Se conformer à tous les codes et règlements en vigueur.**

## Alimentation en gaz

Avant d'effectuer l'installation, vérifier que les caractéristiques de distribution, la nature et la pression de gaz locales ainsi que le réglage de l'appareil sont compatibles. Les informations concernant le brûleur se trouvent sur la plaque signalétique située sur la paroi interne de la porte du sèche-linge. Si l'information ne correspond pas au type de gaz disponible, consulter votre revendeur.

### **Gaz naturel :**

Ce sèche-linge est configuré en usine pour une utilisation au GAZ NATUREL (G20) et aucun réglage supplémentaire n'est nécessaire lors de l'installation.

### **Gaz propane :**

Ce sèche-linge est également homologué pour une utilisation avec des gaz de pétrole liquéfié (propane ou butane) après conversion appropriée. Ne pas tenter de convertir l'appareil pour une utilisation avec un gaz différent de celui indiqué sur la plaque signalétique sans consulter le fournisseur de gaz au préalable.

La conversion doit être effectuée par un réparateur qualifié. La trousse de conversion, numéro de référence W10233219, est disponible à l'achat chez votre revendeur. Des instructions accompagnent cette trousse.

### **Gaz naturel (France/Belgique) :**

Ce sèche-linge est également homologué par la France/Belgique pour une utilisation avec un gaz G20/G25 (20 mbar/25 mbar) avec une conversion appropriée. Il ne faut pas essayer de convertir ce sèche-linge à partir du gaz indiqué sur l'étiquette d'indice de gaz vers un gaz différent sans consulter le fournisseur de gaz. La conversion d'un gaz à un autre doit être faite par un technicien qualifié de service de gaz. L'ensemble de conversion (numéro de pièce W10181947) peut être acheté chez votre marchand. Des instructions complètes sont fournies avec l'ensemble.

### **Exigences concernant le conduit d'alimentation :**

Installer un conduit rigide d'alimentation en gaz à l'emplacement du sèche-linge. Le diamètre interne minimal du conduit doit être de 12,5 mm (1/2"). Lorsque les codes locaux et votre fournisseur de gaz l'autorisent, un diamètre interne de conduit rigide de 10 mm (3/8") peut être utilisé pour des longueurs inférieures à 6,1 m (20 pi.). Une pâte d'étanchéité pour joints résistant à l'action du gaz propane doit être utilisée.

Le raccordement au gaz du sèche-linge lui-même doit être effectué au moyen d'un conduit de gaz flexible qui convienne à l'appareil et corresponde à la catégorie de gaz, conformément aux règlements d'installation nationaux. En cas de doute, contacter le fournisseur de gaz. Le diamètre interne doit être d'au moins 10 mm (3/8").

Un dispositif de fixation doit être installé entre l'appareil et le mur afin d'éviter que la canalisation d'alimentation en gaz rigide ne subisse de tension lors d'un déplacement de l'appareil. Il est recommandé d'utiliser une longueur de chaîne appropriée et un crochet mural.

Le raccord du conduit d'alimentation en gaz du sèche-linge est un filetage conique NPT de 3/8". Un adaptateur est fourni pour la conversion à un filetage standard (3/8" BSP) selon la norme ISO.228-1.

Vérifier l'absence de fuites en utilisant une solution de détection non-corrosive homologuée. L'apparition de bulles indique la présence d'une fuite. Réparer toute fuite éventuelle. Un dispositif de mesure de la pression est fourni avec le robinet de gaz à l'intérieur du sèche-linge; on peut y accéder après avoir retiré le panneau avant inférieur.

Le sèche-linge doit être déconnecté du système d'alimentation en gaz lors de tout test de pression.



## Exigences concernant l'évacuation

### **AVERTISSEMENT**



#### Risque d'incendie

- Utiliser un conduit d'évacuation en métal lourd.
- Ne pas utiliser un conduit d'évacuation en plastique.
- Ne pas utiliser un conduit d'évacuation en feuille de métal.
- Le non-respect de ces instructions peut causer un décès ou un incendie.

**AVERTISSEMENT :** Pour réduire le risque d'incendie, ce sèche-linge DOIT ÉVACUER L'AIR À L'EXTÉRIEUR.

- Une aération adéquate est nécessaire pour éviter le retour des gaz dans la pièce en provenance d'appareils ménagers qui utilisent d'autres carburants comme combustible, y compris les feux ouverts (autrement dit le débit d'air entrant dans la pièce doit être égal au débit qui en sort).
- La conception du système d'évacuation doit permettre à toute condensation formée lors du fonctionnement de l'appareil d'être soit retenue puis évaporée, soit évacuée.
- L'évent du sèche-linge ne doit pas être connecté à un conduit d'évacuation de gaz, une cheminée, un mur, un plafond ou un vide de construction.
- Ne pas utiliser un clapet d'évacuation à fermeture magnétique.
- Ne pas installer le conduit métallique flexible dans les cavités fermées des murs, plafonds ou planchers.
- Utiliser un conduit d'évacuation en métal lourd de 102 mm (4") et des brides de fixation.
- Utiliser des brides de fixation pour sceller tous les joints. L'évent ne doit pas être connecté ou fixé avec des vis ou autres dispositifs d'accrochage qui se prolongent à l'intérieur de l'évent. Ne pas utiliser de ruban adhésif en toile.

**IMPORTANT :** Respecter les dispositions de tous les codes et règlements en vigueur.

Utiliser un conduit d'évacuation en métal lourd. Ne pas utiliser un conduit de plastique ou en feuille métallique.

On recommande d'utiliser un conduit métallique rigide pour réduire les risques d'écrasement et de déformation.

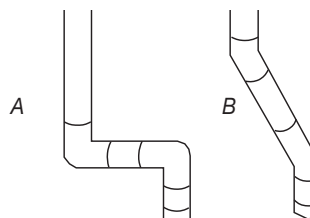
Un conduit métallique flexible doit être totalement déployé et soutenu lorsque le sèche-linge est à sa position finale. Enlever tout excès de conduit flexible pour éviter tout affaissement/déformation susceptible de réduire le débit d'air et le rendement du sèche-linge.

Terminer le conduit d'évacuation par un clapet de décharge pour empêcher les rongeurs et insectes d'entrer dans l'habitation ou l'entreprise.

Le clapet de décharge doit être situé à au moins 305 mm (12") au-dessus du sol ou de tout autre objet susceptible de se trouver sur le trajet de l'air humide rejeté (par exemple, fleurs, roches ou arbustes).

Lors de l'utilisation d'un circuit d'évacuation existant, nettoyer les peluches sur toute la longueur du système et veiller à ce que la bouche de décharge ne soit pas obstruée par une accumulation de peluches. Remplacer tout conduit de plastique ou de feuille métallique mince par un conduit métallique flexible ou rigide.

Planifier l'installation pour introduire le nombre minimal de coudes et de changements de direction.



Débit d'évacuation

A. Bon débit d'évacuation

B. Meilleur débit d'évacuation

Si des coudes sont utilisés ou des changements de direction effectués, prévoir autant d'espace que possible. Plier le conduit graduellement pour éviter de le déformer.

La bouche de sortie est située à l'arrière du sèche-linge, en bas/au centre.

On peut acheminer le conduit d'évacuation par le haut, par le bas, par la gauche, par la droite, derrière le sèche-linge ou en ligne droite depuis l'arrière du sèche-linge.

### Longueur du circuit d'évacuation

La longueur maximale du circuit d'évacuation dépend du type de conduit utilisé, du nombre de coudes et du type de bouche de décharge.

#### Longueur maximale du conduit

Clapet de décharge de 102 mm (4") de diamètre



Conduit métallique rigide

Nombre d'angles à 90°	Clapets de type boîte et à persiennes	Clapet incliné
0	19,5 m (64 pi)	17,7 m (58 pi)
1	16,5 m (54 pi)	14,6 m (48 pi)
2	13,4 m (44 pi)	11,6 m (38 pi)
3	10,7 m (35 pi)	8,8 m (29 pi)
4	8,2 m (27 pi)	6,4 m (21 pi)

Si le sèche-linge est installé dans un espace réduit tel qu'une chambre à coucher, une salle de bain ou un placard, on doit prévoir une arrivée d'air en quantité suffisante pour la combustion et la ventilation. (Consulter les codes et règlements en vigueur.) Voir "Instructions pour l'installation dans un placard ou dans un encastrement" de la section "Exigences d'emplacement".

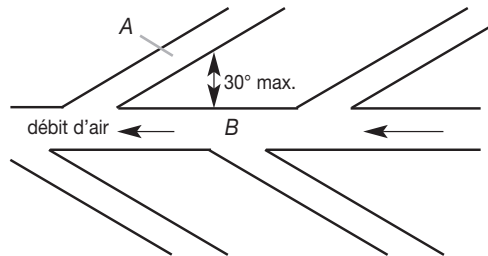
L'emploi d'une bouche de décharge de 102 mm (4") est préférable. On peut cependant utiliser une bouche de 64 mm (2½"). Une bouche de décharge de 64 mm (2½") peut causer une plus forte rétropression que les autres genres de bouches. Pour une installation permanente, un système d'évacuation fixe est requis.

## Évacuation multiple du sèche-linge

- Un conduit d'évacuation principal peut être utilisé pour un groupe des sèche-linges. Le conduit d'évacuation principal devrait être d'un diamètre suffisant pour évacuer 5663 l/min (200 pi<sup>3</sup>/min) d'air par sèche-linge. Des filtres à peluches de forte capacité et de conception adéquate peuvent être utilisés dans le conduit principal d'évacuation s'ils sont inspectés et nettoyés fréquemment. La pièce où se trouvent les sèche-linges devrait recevoir un apport d'air de débit égal ou supérieur au débit total (pi<sup>3</sup>/min) de débit de tous les sèche-linges installés dans la pièce.
- Des ensembles antirefoulement, n° de pièce 3391910, sont disponibles chez votre marchand et devraient être installés dans le conduit d'évacuation de chaque sèche-linge pour empêcher l'air évacué de retourner dans les sèche-linges et pour maintenir une pression équilibrée dans le conduit principal d'évacuation. Des orifices de passage d'air non obstrués sont requis.

Chaque conduit d'évacuation devrait pénétrer dans le conduit principal à un angle pointant dans la direction du débit d'air. Les conduits raccordés au conduit principal de part et d'autre devraient être disposés en quinconce pour que l'air évacué par un sèche-linge ne puisse perturber l'évacuation d'un autre sèche-linge.

L'angle maximal entre le conduit connecté à un sèche-linge et le conduit principal ne devrait pas dépasser 30°.

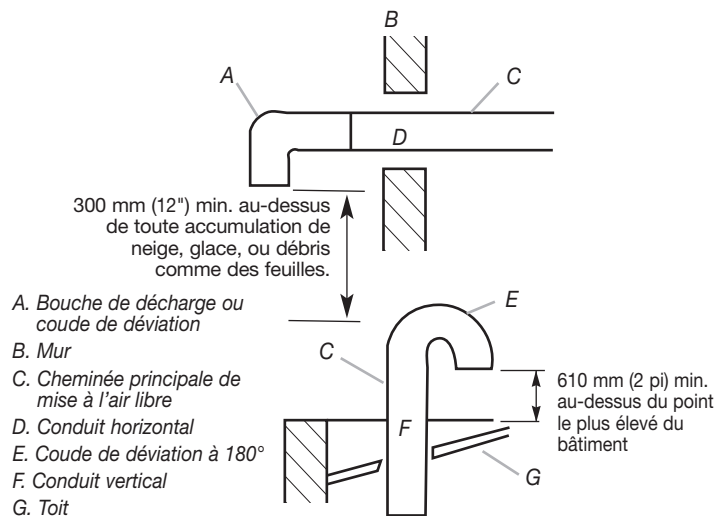


A. Conduit individuel d'évacuation du sèche-linge  
B. Conduit principal d'évacuation

Faire en sorte que les vapeurs générées par les liquides de nettoyage à sec ne puissent pas atteindre les orifices d'entrée d'air; ces vapeurs créent des composés acides qui, lorsqu'ils sont attirés vers les unités de chauffage des sèche-linges, peuvent endommager les sèche-linges et le linge en cours de séchage.

Une bouche de nettoyage devrait être installée dans le conduit principal d'évacuation pour les nettoyages périodiques du système d'évacuation.

**Si une bouche de décharge ne peut être utilisée :**



A. Bouche de décharge ou coude de déviation  
B. Mur  
C. Cheminée principale de mise à l'air libre  
D. Conduit horizontal  
E. Coude de déviation à 180°  
F. Conduit vertical  
G. Toit

L'extrémité extérieure du conduit principal devrait être munie d'un coude de déviation dirigé vers le bas. Si le conduit principal suit une trajectoire verticale à travers le toit, plutôt qu'à travers le mur, installer un coude de déviation de 180° à l'extrémité du conduit et dépassant d'au moins 610 mm (2 pi) au-dessus de la partie la plus élevée du bâtiment. L'ouverture murale ou dans le toit doit avoir un diamètre supérieur de 13 mm (1/2") à celui du conduit d'évacuation. Le conduit d'évacuation devrait être centré dans l'ouverture.

Ne pas installer une grille ou un couvercle sur l'extrémité du conduit d'évacuation.

## INSTRUCTIONS D'INSTALLATION - SÈCHE-LINGE À GAZ

### Installation des pieds de nivellement

#### **AVERTISSEMENT**

##### **Risque du poids excessif**

**Utiliser deux ou plus de personnes pour déplacer et installer le sèche-linge.**

**Le non-respect de cette instruction peut causer une blessure au dos ou d'autre blessure.**

**NOTE :** Placer le sèche-linge sur une feuille de carton ou un panneau de bois dur avant de la déplacer sur le plancher, afin d'éviter d'endommager le revêtement du sol.

1. À l'aide de deux personnes ou plus, déplacer le sèche-linge à l'emplacement d'installation désiré.
2. Enlever le ruban adhésif dans les angles avant du sèche-linge. Ouvrir le sèche-linge; enlever les brochures et sachets de pièces. Essuyer parfaitement la surface interne du tambour avec un chiffon humide.

3. Prendre deux cornières de carton de l'emballage et les placer sur le plancher à l'arrière du sèche-linge. Saisir fermement le sèche-linge et la placer doucement en appui sur la face arrière, sur les cornières de carton.
4. Prendre l'un des pieds et identifier la marque en losange dans le filetage. Ce repère indique jusqu'où le pied doit être vissé dans le trou.
5. Commencer à visser à la main les pieds avant dans les trous. (Utiliser une petite quantité de détergent liquide pour lubrifier la section fileté, pour qu'il soit plus facile de tourner les pieds). Utiliser une clé de 25 mm (1") ou une clé à douille pour visser les pieds jusqu'au repère. Placer ensuite un patin de protection sur chaque pied.
6. Placer maintenant le sèche-linge verticalement.
7. Retirer la feuille de carton ou le panneau de bois dur placé sous le sèche-linge. Régler les pieds du sèche-linge vers le haut ou vers le bas jusqu'à ce que le sèche-linge soit d'aplomb.

## Raccordement à la canalisation de gaz

### **⚠ AVERTISSEMENT**

#### Risque du poids excessif

Utiliser deux ou plus de personnes pour déplacer et installer le sèche-linge.

Le non-respect de cette instruction peut causer une blessure au dos ou d'autre blessure.

1. Retirer le capuchon rouge de la canalisation de gaz.
2. Raccorder la canalisation de gaz au sèche-linge. Le raccord du conduit d'alimentation en gaz du sèche-linge est un filetage conique NPT de 3/8". Un adaptateur est fourni pour la conversion à un filetage standard (3/8" BSP) selon la norme ISO.228-1. Utiliser un composé d'étanchéité compatible avec le gaz propane.  
Si cela est nécessaire à l'entretien, ouvrir le panneau de plinthe. Utiliser un couteau à mastic pour appuyer sur les 2 verrous du panneau de plinthe situé sur la partie supérieure du panneau de plinthe. Tirer le panneau de plinthe vers le bas pour l'ouvrir. Le panneau de plinthe est fixé à la partie inférieure.
3. Ouvrir le robinet d'arrêt de la canalisation d'arrivée de gaz.
4. Vérifier tous les raccords en les badigeonnant d'une solution de détection des fuites non corrosive approuvée. L'apparition de bulles indique une fuite. Réparer toute fuite éventuelle.

## Raccordement du conduit d'évacuation

1. À l'aide d'une bride de fixation de 102 mm (4"), relier le conduit d'évacuation à la bouche d'évacuation du sèche-linge. Si on utilise le conduit d'évacuation existant, s'assurer qu'il est propre. Le conduit d'évacuation du sèche-linge doit être fixé sur la bouche d'évacuation du sèche-linge et dans le clapet d'évacuation. S'assurer que le conduit d'évacuation est fixé au clapet d'évacuation à l'aide d'une bride de fixation de 102 mm (4").
2. Placer le sèche-linge à l'emplacement final désiré. Ne pas écraser ni déformer le conduit d'évacuation. Vérifier que le sèche-linge est de niveau.
3. Vérifier que la canalisation souple de gaz n'est pas déformée.

## Achever l'installation

1. Une fois le sèche-linge à son emplacement final, placer un niveau sur le sommet du sèche-linge, transversalement, puis dans le sens avant arrière. Si le sèche-linge n'est pas d'aplomb, ajuster les pieds pour modifier la hauteur et établir un bon aplomb du sèche-linge.

### **⚠ AVERTISSEMENT**



#### Risque de choc électrique

**Ce sèche-linge doit être relié à la terre.**

**Bien serrer toutes les connexions électriques.**

**Le non-respect de ces instructions peut causer un décès, un incendie ou un choc électrique.**

2. Brancher sur une prise reliée à la terre.
3. Contrôler le bon fonctionnement du sèche-linge (la minuterie peut indiquer un temps de service cumulatif du fait de tests effectués à l'usine).  
Insérer les pièces dans le mécanisme à glissière et enfoncer doucement le mécanisme à glissière (le temps de fonctionnement sera accumulé, selon le nombre de pièces et le type de came utilisé). Appuyer sur le bouton START/RESTART (mise en marche/remise en marche). Faire fonctionner le sèche-linge pendant au moins cinq minutes – programme de séchage avec chaleur (pas le programme de séchage à l'air). Le sèche-linge s'arrêtera à l'expiration de la période ainsi déterminée.  
**NOTE :** Il faut que la porte soit fermée pour que le sèche-linge puisse fonctionner. Le sèche-linge s'arrête dès l'ouverture de la porte, mais la minuterie continue de fonctionner. Pour remettre le sèche-linge en marche, fermer la porte et appuyer sur le bouton START/RESTART.
4. Si on ne perçoit aucune chaleur à l'intérieur du sèche-linge et si le brûleur ne s'allume pas, arrêter la sécheuse pendant cinq minutes. Vérifier que tous les robinets de la canalisation d'alimentation sont ouverts et que le cordon d'alimentation électrique est branché. Répéter le test de cinq minutes de fonctionnement.

## INSTRUCTIONS D'ENTRETIEN

### Instructions d'entretien :

- Nettoyer le filtre à peluches après chaque utilisation.
- Comment enlever les peluches accumulées :
  - De l'intérieur du sèche-linge :  
Il faut retirer les peluches tous les 2 ans ou plus souvent, selon l'utilisation du sèche-linge. Le nettoyage doit être effectué par une personne qualifiée.
  - Du conduit d'évacuation :  
Il faut retirer les peluches tous les 2 ans ou plus souvent, selon l'utilisation du sèche-linge.

### Si le sèche-linge ne fonctionne pas, vérifier ce qui suit :

- Le circuit d'alimentation électrique est bien connecté.
- Les disjoncteurs ne sont pas ouverts et les fusibles sont intacts.
- La porte est fermée.
- Les boutons de commande sélectionnent une configuration de fonctionnement ou sont placées sur "ON".
- Le bouton START (mise en marche) a été enfoncé fermement.
- Vérifier que les robinets de la canalisation de gaz sont ouverts.

**Si vous avez besoin d'assistance :**

Veuillez communiquer avec votre distributeur d'ensemble de buanderie commercial Maytag autorisé. Lors de l'appel, vous aurez besoin des numéros de modèle et de série du sèche-linge. Les deux numéros sont indiqués sur la plaque signalétique de l'appareil. Ou visitez le site Web [www.MaytagCommercialLaundry.com](http://www.MaytagCommercialLaundry.com).

## FICHE TECHNIQUE - SECHE-LINGE A GAZ

220-240 v ~ 50 Hz, 1 ph, 3 A max. IP24 Capacité max. : 9,1 kg de linge		
Régulé à l'usine pour le GAZ NATUREL. Grosseur de l'injecteur : 2,2 mm Capacité calorique brute : 5,9 kW		
Pays européen :	CZ, CY, ES, GB, GR, HR, IE, IT, PT, SI, SK, TR	CY, CZ, DK, EE, FI, GR, HU, IT, NO, RO, SE, SK, TR
Catégorie européenne de gaz :	II <sub>2</sub> H3+	II <sub>2</sub> H3B/P
Pression ajustée :	0,562703 m <sup>3</sup> /h	0,562703 m <sup>3</sup> /h
Pression de l'alimentation (G20)	20 mbar	20 mbar
Pression réglée à l'usine :	7,4 mbar	7,4 mbar
Avec trousse de conversion au GPL : grosseur de l'injecteur : 1,25 mm Capacité calorique brute : 6,4 kW		
Pays européen :	CZ, CY, ES, GB, GR, HR, IE, IT, PT, SI, SK, TR	CY, CZ, DK, EE, FI, GR, HU, IT, NO, RO, SE, SK, TR
Catégorie européenne de gaz :	II <sub>2</sub> H3+	II <sub>2</sub> H3B/P
Pression d'alimentation en butane (G30) :	28-30 mbar	30 mbar
Pression ajustée :	S/O	S/O
Pression d'alimentation en propane (G31) :	37 mbar	30 mbar
Pression ajustée :	S/O	S/O
Avec l'ensemble de conversion au GAZ NATUREL pour la France/Belgique : Taille de l'injecteur : 1,65 mm Production de chaleur brute : 5,9 kW		
Pays européen :	FR, BE	
Catégorie européenne de gaz :	I <sub>2</sub> E+	
Pression d'alimentation (G20) :	20 mbar	
Pression d'alimentation (G25) :	25 mbar	
Pression ajustée :	S/O	
<b>REMARQUE :</b> Trousse de conversion : du gaz naturel au GPL : Pièce Whirlpool No W10233219. Ensemble de conversion du gaz naturel au gaz naturel - France/Belgique : numéro de pièce Whirlpool : W10184947 Fabricant : Whirlpool Corporation, Benton Harbor (Michigan) 49022, États-Unis		

---

# GARANTIE DE LA LAVEUSE COMMERCIALE, DE LA SÈCHEUSE, DE LA SÈCHEUSE/SÈCHEUSE SUPERPOSÉE, DE L'ENSEMBLE DE BUANDERIE COMMERCIAL SUPERPOSÉ, ET DES LAVEUSES ET SÈCHEUSES COMMERCIALES MULTI-CHARGE PAYANTES MAYTAG

---

## GARANTIE LIMITÉE SUR LES PIÈCES

Pendant cinq ans à compter de la date d'achat, lorsque cet appareil ménager commercial est installé, utilisé et entretenu conformément aux instructions jointes à ou fournies avec le produit, Maytag marque de Whirlpool Corporation (ci-après désignée "Maytag") paiera pour les pièces de rechange spécifiées par l'usine ou les pièces de rechange d'équipement originales du fabricant pour corriger les vices de matériaux ou de fabrication. Une preuve d'achat originale est requise pour bénéficier du service de garantie.

---

## MAYTAG NE PAIERA PAS POUR

1. Tous les autres frais, notamment la main-d'œuvre, le transport ou les taxes douanières.
  2. Les visites de service pour rectifier l'installation de l'appareil ménager commercial, montrer à l'utilisateur comment utiliser l'appareil, remplacer ou réparer des fusibles, ou rectifier le câblage ou la plomberie extérieure.
  3. Les réparations lorsque l'appareil est utilisé autrement que pour une utilisation commerciale ordinaire.
  4. Les dommages imputables à une mauvaise manipulation du produit pendant une livraison, un vol, un accident, une modification, un usage impropre, un abus, un incendie, une inondation, des actes de Dieu, une mauvaise installation, une installation non conforme aux codes locaux d'électricité et de plomberie, ou l'utilisation de produits non approuvés par Maytag.
  5. Le ramassage et la livraison. Cet appareil commercial est conçu pour être réparé sur place.
  6. Les réparations aux pièces ou systèmes résultant d'une modification non autorisée faite à l'appareil commercial.
  7. La dépose et la réinstallation de votre appareil commercial si celui-ci est installé dans un endroit inaccessible ou n'est pas installé conformément aux instructions d'installation fournies.
  8. Les dommages chimiques ne sont pas couverts par la garantie.
  9. Les modifications du bâtiment, de la pièce ou de l'emplacement nécessaires pour faire fonctionner l'appareil commercial correctement.
- 

## CLAUSE D'EXONÉRATION DE RESPONSABILITÉ AU TITRE DES GARANTIES IMPLICITES; LIMITATION DES RECOURS

LE SEUL ET EXCLUSIF RECOURS DU CLIENT DANS LE CADRE DE LA PRÉSENTE GARANTIE LIMITÉE CONSISTE EN LA RÉPARATION OU LE REMPLACEMENT DU PRODUIT PRÉVUS CI-DESSUS. LES GARANTIES IMPLICITES, Y COMPRIS LES GARANTIES APPLICABLES DE QUALITÉ MARCHANDE ET D'APTITUDE À UN USAGE PARTICULIER, SONT LIMITÉES À UN AN OU À LA PLUS COURTE PÉRIODE AUTORISÉE PAR LA LOI. WHIRLPOOL N'ASSUME AUCUNE RESPONSABILITÉ POUR LES DOMMAGES FORTUITS OU INDIRECTS. CERTAINES JURIDICTIONS NE PERMETTENT PAS L'EXCLUSION OU LA LIMITATION DES DOMMAGES FORTUITS OU INDIRECTS, OU LES LIMITATIONS DE LA DURÉE DES GARANTIES IMPLICITES DE QUALITÉ MARCHANDE OU D'APTITUDE À UN USAGE PARTICULIER, DE SORTÉ QUE CES EXCLUSIONS OU LIMITATIONS PEUVENT NE PAS S'APPLIQUER DANS VOTRE CAS. CETTE GARANTIE VOUS CONFÈRE DES DROITS JURIDIQUES SPÉCIFIQUES ET VOUS POUVEZ ÉGALEMENT JOUIR D'AUTRES DROITS QUI PEUVENT VARIER D'UNE JURIDICTION À UNE AUTRE.

---

Si vous avez besoin de service, veuillez communiquer avec votre distributeur d'ensemble de buanderie Maytag autorisé. Pour localiser votre distributeur d'ensemble de buanderie Maytag autorisé, ou pour des demandes de renseignements sur Internet, visitez le site Web [www.MaytagCommercialLaundry.com](http://www.MaytagCommercialLaundry.com).

9/07

Vous pouvez écrire à l'adresse suivante :

Maytag Commercial Laundry Service Department  
2000 M-63 North  
Benton Harbor, Michigan 49085 USA

# SEGURIDAD DE LA SECADORA

## Su seguridad y la seguridad de los demás es muy importante

Hemos incluido muchos mensajes importantes de seguridad en este manual y en su electrodoméstico. Lea y obedezca siempre todos los mensajes de seguridad.



Este es el símbolo de advertencia de seguridad.

Este símbolo le llama la atención sobre peligros potenciales que pueden ocasionar la muerte o una lesión a usted y a los demás. Todos los mensajes de seguridad irán a continuación del símbolo de advertencia de seguridad y de la palabra "PELIGRO" o "ADVERTENCIA".

Estas palabras significan:

**⚠ PELIGRO**

Si no sigue las instrucciones de inmediato, usted puede morir o sufrir una lesión grave.

**⚠ ADVERTENCIA**

Si no sigue las instrucciones, usted puede morir o sufrir una lesión grave.

Todos los mensajes de seguridad le dirán el peligro potencial, le dirán cómo reducir las posibilidades de sufrir una lesión y lo que puede suceder si no se siguen las instrucciones.

## PARA SU SEGURIDAD

1. No use ni guarde gasolina ni otros materiales inflamables dentro de este aparato ni cerca del mismo.
2. No rocíe con aerosoles en la proximidad de este aparato mientras esté en funcionamiento.
3. No modifique este aparato.

**ADVERTENCIA:** Para su seguridad, la información en este manual debe ser observada para minimizar el riesgo de incendio o explosión, o para prevenir daños a propiedades, heridas o la muerte.

- No almacene ni use gasolina u otros vapores y líquidos inflamables cerca de éste o cualquier otro electrodoméstico.
- **PASOS QUE USTED DEBE SEGUIR SI HUELE A GAS:**
  - No trate de encender ningún electrodoméstico.
  - No toque ningún interruptor eléctrico; no use ningún teléfono en su edificio.
  - Despeje el cuarto, edificio, o zona de todos los ocupantes.
  - Llame inmediatamente a su distribuidor de gas desde el teléfono de un vecino. Siga las instrucciones de su proveedor de gas.
  - Si usted no localiza a su distribuidor de gas, llame a los bomberos.
- La instalación y el servicio deben realizarse por un instalador calificado, agencia de servicio, o distribuidor de gas.

# ELIMINACIÓN DE LA SECADORA



Este electrodoméstico está marcado de acuerdo con la directiva europea 2002/96/EC sobre Residuos de Equipos Eléctricos y Electrónicos (Waste Electrical and Electronic Equipment - WEEE).

Asegurándose de que este producto será eliminado correctamente, usted ayudará a prevenir consecuencias negativas potenciales para el medio ambiente y la salud humana, que podrían causarse por el manejo inapropiado de este producto.

El símbolo sobre el producto, o en los documentos que acompañan al producto, indica que este electrodoméstico no puede tratarse como basura doméstica. Contrariamente, deberá ser entregado al punto de recogida correspondiente para el reciclado de equipos eléctricos y electrónicos.

La eliminación debe llevarse a cabo de acuerdo con las regulaciones ambientales locales para la eliminación de basura.

Para información más detallada acerca del tratamiento, recuperación y reciclado de este producto, por favor, contacte con su oficina municipal local, su servicio de eliminación de basura doméstica o la tienda donde compró el producto.

## REQUISITOS DE INSTALACIÓN

### Piezas y herramientas

Reúna las herramientas y piezas necesarias antes de comenzar la instalación. Lea y siga las instrucciones provistas con cualquiera de las herramientas enlistadas aquí.

#### Herramientas necesarias:

- Llave para tubos de 200 mm (8") ó 250 mm (10")
- Llave ajustable de 200 mm (8") ó 250 mm (10")
- Destornillador de hoja plana
- Destornillador Phillips
- Llave ajustable que se abra a 25 mm (1") o llave de cubo de cabeza hexagonal
- Nivel
- Llave de boca de 8 mm (5/16")
- Cuchillo para uso general
- Abrazaderas para ducto
- Pegamento para tuberías resistente a gas LP
- Pistola y masilla para calafateo (para instalar el nuevo ducto de escape)
- Pinzas
- Cuchillo para masilla

#### Piezas suministradas:

Retire la bolsa de piezas del tambor de la secadora. Verifique que estén todas las piezas.

- Cuñas (4)
- Patas de la secadora (4)

**NOTA:** El diagrama del circuito para esta máquina está situado dentro del panel frontal inferior.

### Requisitos de ubicación

## ⚠ ADVERTENCIA



#### Peligro de explosión

**Mantenga los materiales y vapores inflamables, tales como la gasolina, alejados de la secadora.**

**No instale en un garage.**

**No seguir estas instrucciones puede ocasionar la muerte, explosión o incendio.**

#### Si va a instalar una secadora a gas:

**IMPORTANTE:** Observe todos los códigos y reglamentos aplicables.

- Verifique los requisitos del código: Algunos códigos limitan, o no permiten, la instalación de la secadora en garajes, armarios, o en dormitorios. Póngase en contacto con el inspector de construcciones de su localidad.
- Asegúrese de que los bordes inferiores del armario, además de los lados de la parte posterior e inferior de la secadora, estén libres de obstrucciones, para permitir el espacio adecuado de aberturas para la combustión de aire. Vea "Instrucciones para la instalación empotrada o en armario" más abajo para requisitos mínimos de instalación.

**NOTA:** No debe instalarse la secadora en un área en donde pueda estar expuesta al agua y/o a la intemperie.

## Instrucciones para la instalación empotrada o en armario

Esta secadora podrá instalarse en un área empotrada o en un armario. No debe instalarse esta secadora detrás de una puerta que se pueda cerrar con llave, una puerta corrediza o una puerta con bisagra del lado opuesto a la secadora.

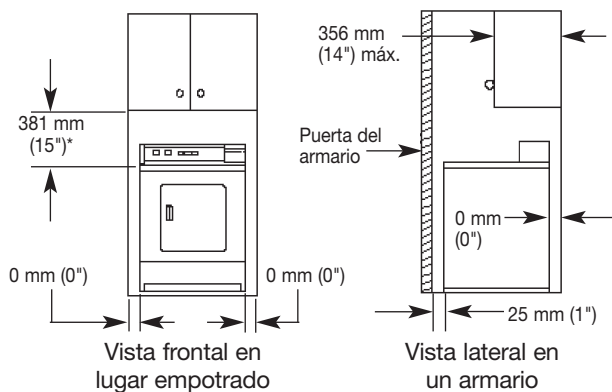
El espacio de instalación es en milímetros (pulgadas) y es el mínimo permitido. Debe considerarse espacio adicional para facilitar la instalación, el servicio técnico y el cumplimiento de los códigos y ordenanzas locales.

Si se instala la puerta del armario, se requieren aperturas mínimas de ventilación sin obstrucciones en la parte superior e inferior de la puerta. Se aceptan puertas tipo persianas con aperturas de aire equivalentes.

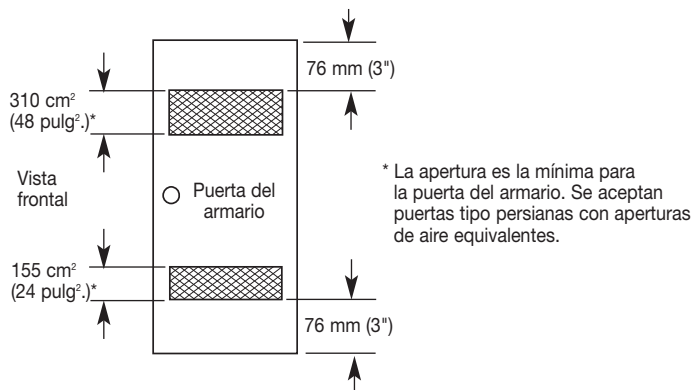
La secadora deberá ventilarse al exterior.

No se puede instalar otro electrodoméstico que usa combustible en el mismo armario en que se encuentra la secadora.

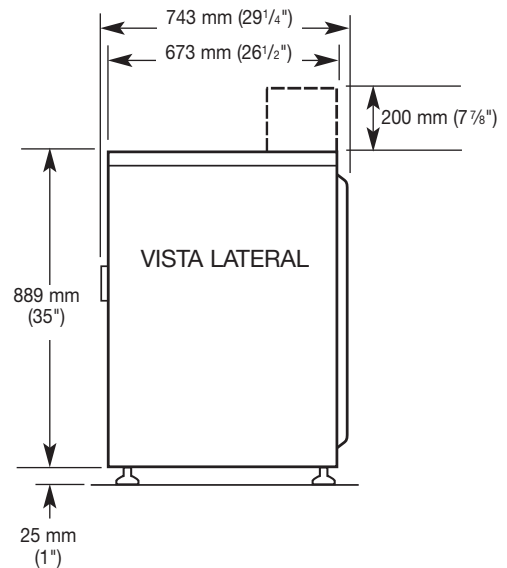
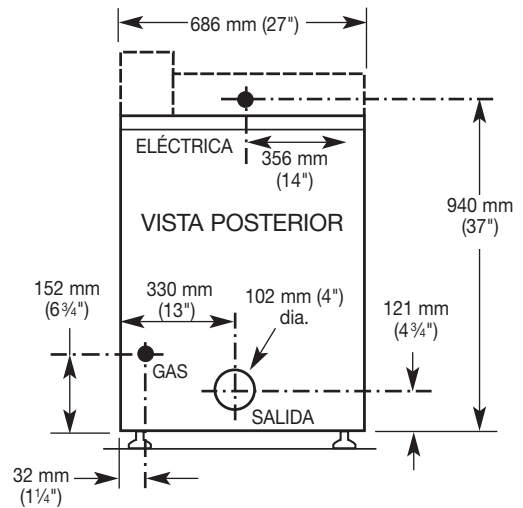
### Espacios mínimos para la instalación



Se podrían necesitar espacios libres adicionales para las molduras de la pared, de la puerta y del piso, o si se usa un codo externo de ventilación.



## Dimensiones del producto: Secadora de 686 mm (27")





## Requisitos eléctricos - Secadora a gas

**Importante:** Observe todos los códigos y reglamentos aplicables.

Esta secadora está provista de un cable de suministro eléctrico y un enchufe europeo. Deberá ser conectada al receptáculo de suministro eléctrico con el voltaje que se muestra en la placa de clasificación. La capacidad mínima del fusible de suministro deberá ser de 5A. La secadora deberá colocarse de manera que el enchufe esté accesible. Si no se usa el enchufe provisto, la conexión eléctrica deberá llevarse a cabo por parte de un electricista capacitado, según los códigos locales o nacionales.

Si se ha dañado el cable de suministro, deberá reemplazarse con un cable especialmente terminado, por parte de un agente de servicio autorizado u otra persona similarmente calificada, para evitar un peligro.

No use un adaptador.

No use un cable eléctrico de extensión.

### ⚠ AVERTISSEMENT



#### Peligro de descarga eléctrica

Se requiere una conexión eléctrica a tierra para esta secadora.

No haga la conexión a tierra sobre una tubería de gas.

No cambie el enchufe del cable de suministro de energía. Si no encaja en el contacto, consulte a un electricista competente para instalar un contacto adecuado.

No use un cable eléctrico de extensión con esta secadora.

No seguir estas instrucciones puede ocasionar la muerte, incendio o lesiones graves.

Si los códigos lo permiten y se emplea una ligadura de conexión a tierra adicional, es recomendable que un electricista calificado determine si la trayectoria de conexión a tierra de la ligadura es adecuada.

#### INSTRUCCIONES PARA LA CONEXIÓN A TIERRA

- Para la conexión de una secadora mediante cable eléctrico conectado a tierra:

Esta secadora debe estar conectada a tierra. En el caso de funcionamiento defectuoso o avería, la conexión a tierra reducirá el riesgo de descarga eléctrica al proporcionar una vía de menor resistencia para la corriente eléctrica. Esta secadora usa un cable que cuenta con un conductor para la conexión a tierra del equipo y un enchufe de conexión a tierra. El enchufe debe conectarse en un contacto apropiado, que esté debidamente instalado y conectado a tierra de acuerdo con todos los códigos y ordenanzas locales.

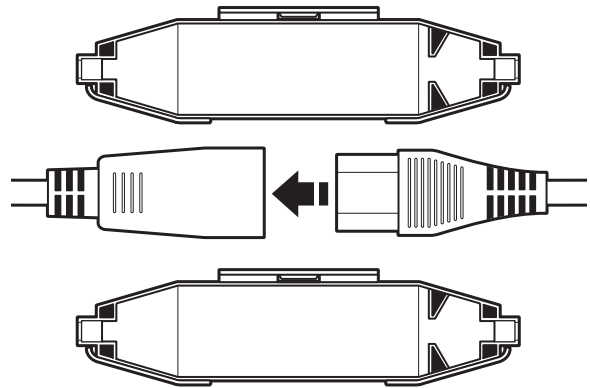
**ADVERTENCIA:** La conexión indebida del conductor para la conexión a tierra del equipo puede ocasionar un riesgo de descarga eléctrica. Si no está seguro de que la conexión a tierra de la secadora es la adecuada, verifíquela con un electricista o representante o personal de servicio competente. No modifique el enchufe provisto con la secadora: Si no encaja en el contacto, consulte con un electricista competente para instalar un contacto adecuado.

**GUARDE ESTAS INSTRUCCIONES**

## Cómo utilizar el cable universal provisto con esta secadora:

Esta secadora a gas está equipada con un cable universal que tiene clavijas intercambiables.

1. Para utilizar el cable universal, elija la punta de la clavija que encaje en su tomacorriente, y conéctelo al adaptador en el cable de suministro.
2. Asegure la punta de la clavija en el cable alineando las 2 mitades de la cubierta sobre el adaptador del cable, y sujetándolas.



## Requisitos del suministro de gas

### ⚠ ADVERTENCIA



#### Peligro de explosión

Conecte esta secadora a un suministro regulado de gas. La presión de suministro debe estar de acuerdo con las Especificaciones técnicas (vea la última página).

Instale una válvula de cierre.

Apriete firmemente todas las conexiones de gas.

Si se conecta a LP, haga que una persona calificada se asegure de que la presión de gas es la correcta.

No seguir esta instrucción puede ocasionar la muerte, explosión o incendio.

**IMPORTANTE:** observe todos los códigos y reglamentos aplicables.

#### Suministro de gas

Antes de realizar la instalación, verifique que las condiciones locales de distribución de gas, la naturaleza del mismo y su presión, y el ajuste del electrodoméstico sean compatibles. La información sobre el quemador está ubicada en la placa con el número de modelo/serie, que está en el hueco de la puerta de la secadora. Si esta información no está de acuerdo con el tipo de gas disponible, vea a su distribuidor.

#### Gas natural:

Esta secadora ha sido ajustada en fábrica para ser usada con GAS NATURAL (G20) y no debería necesitarse otro ajuste durante su instalación.

## Gas L.P.:

Esta secadora también está certificada para ser usada con gas L.P. (propano o butano) con la conversión adecuada. No se deberá intentar convertir el aparato del gas especificado en la placa indicadora del modelo/de la serie para utilizar un gas distinto sin consultar con el proveedor de gas.

La conversión deberá llevarla a cabo un técnico de servicio calificado. El juego de conversión de gas, pieza número W10233219, está disponible con su distribuidor. El juego incluye las instrucciones completas.

## Requisitos de la línea de suministro:

Provea una línea de suministro de gas de tubería rígida hacia la ubicación de la secadora. Debería tener un mínimo de 12,5 mm (1/2") de diámetro interno. Cuando sea aceptable para el proveedor de gas y los códigos locales, se podrá usar una línea de suministro rígida de 10 mm (3/8") de diámetro interno para longitudes menores de 6,1 m (20'). Deben usarse compuestos para uniones de tubería que sean resistentes a la acción del gas LP.

La conexión de gas a la secadora debe hacerse con una manguera para gas flexible adecuada para el electrodoméstico y la categoría de gas de acuerdo con las reglamentaciones nacionales de instalación. En caso de dudas, consulte con el proveedor de gas. Debe ser de un mínimo de 10 mm (3/8") de diámetro interno.

Se debe utilizar un medio de sujeción entre el electrodoméstico y la pared, para prevenir que se ejerza tensión en el suministro de gas rígido cuando se mueva el electrodoméstico. Se recomienda una cadena de longitud adecuada y un gancho de pared.

La conexión de entrada de gas a la secadora es una rosca de NPT 3/8". Se proporciona un adaptador para convertirla a una rosca según la norma ISO.228-1 (3/8" BSP).

Verifique si hay fugas utilizando una solución para detección de fugas que no sea corrosiva. Se observarán burbujas si hay fugas. Tape cualquier fuga que encuentre. Se ha provisto una conexión para medir la presión en la válvula de gas, la cual está ubicada dentro de la secadora, accesible después de haber retirado el panel frontal inferior.

Durante cualquier prueba de presión del sistema, la secadora debe ser desconectada del sistema de tubería del suministro de gas.

- Deberá proveerse una ventilación adecuada para evitar el contraflujo de gases de aparatos que consuman otros combustibles, incluidos fuegos abiertos, en la habitación (por ejemplo, el flujo de aire disponible que entre en la habitación deberá coincidir con el flujo de aire que sale de la misma).
- El diseño del sistema de tubería deberá ser tal que la condensación que se forme cuando el aparato esté en funcionamiento, quede retenida y se evapore posteriormente o se deseché.
- El conducto de escape de la secadora no puede descargarse en un conducto de humo usado para humos de salida de aparatos que consumen/queman gas u otros combustibles, una chimenea, pared, techo o espacio oculto de un edificio.
- No use un conducto de escape de plástico con pestillo magnético.
- No instale el ducto de escape de metal flexible en paredes, techos o pisos encerrados.
- Deben usarse abrazaderas y ductos de escape de metal pesado de 102 mm (4").
- Utilice abrazaderas para sellar todas las juntas. No debe conectarse ni asegurarse el ducto de escape con tornillos ni con ningún otro dispositivo que se extienda hacia el interior de dicho conducto. No utilice cinta para ductos.

**IMPORTANTE:** Observe todos los códigos y reglamentos aplicables.

Use un conducto de escape de metal pesado. No use conducto de escape de plástico o de hoja de metal.

Se recomienda un ducto de escape de metal rígido para evitar que se aplaste o se tuerza.

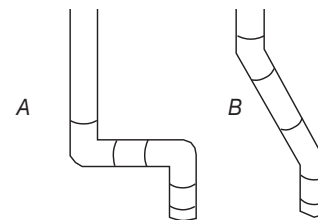
El ducto de escape de metal flexible debe extenderse y sostenerse por completo cuando la secadora está en su ubicación final. Quite el exceso del ducto de metal flexible para evitar que se doble y se tuerza, lo cual podría dar lugar a una reducción del flujo de aire y a un rendimiento insuficiente.

Una capota de ventilación debe tapar el ducto de escape para evitar el ingreso de roedores e insectos a la casa o comercio.

La capota de ventilación debe estar al menos a 305 mm (12") del piso o de cualquier objeto que pueda encontrarse en el paso del escape (tales como flores, piedras o arbustos).

Si se usa un sistema de ventilación existente, limpie la pelusa que está en toda la longitud del sistema y asegúrese de que la capota de ventilación no esté obstruida con pelusa. Reemplace cualquier ducto de escape de plástico o de hoja de metal por uno de metal rígido o flexible.

Planifique la instalación a fin de usar el menor número posible de codos y vueltas.



Flujo de aire de escape

A. Bueno

B. Mejor

Cuando use codos o haga vueltas, deje todo el espacio que sea posible. Doble el ducto gradualmente para evitar torceduras.

La salida de ventilación está ubicada en el centro de la parte posterior de la secadora inferior.

El ducto de escape puede ser dirigido hacia arriba, hacia abajo, a la izquierda, derecha, detrás de la secadora o directamente hacia atrás por la parte posterior de la misma.

## Requisitos de ventilación

### ⚠ ADVERTENCIA



#### Peligro de Incendio

Use un ducto de escape de metal pesado.

No use un ducto de escape de plástico.

No use un ducto de escape de aluminio.

No seguir estas instrucciones puede ocasionar la muerte o incendio.

**ADVERTENCIA:** Para reducir el riesgo de incendio, esta secadora DEBE VENTILARSE HACIA EL EXTERIOR.

## Largo del sistema de ventilación

La longitud máxima del sistema de ventilación depende del tipo de ducto que se use, el número de codos y el tipo de capota de ventilación.

### Longitud máxima del ducto de escape

Capotas de ventilación de 4" (102 mm) de diámetro



Ducto de escape de metal rígido

N° de vueltas de 90°	Capota de ventilación tipo caja y tipo persiana	Capota de ventilación angular
0	19,5 m (64 pies)	17,7 m (58 pies)
1	16,5 m (54 pies)	14,6 m (48 pies)
2	13,4 m (44 pies)	11,6 m (38 pies)
3	10,7 m (35 pies)	8,8 m (29 pies)
4	8,2 m (27 pies)	6,4 m (21 pies)

Si la secadora está instalada en un área cerrada tal como un dormitorio, baño o armario, deberán tomarse las provisiones necesarias para que haya aire suficiente para la combustión y la ventilación. (Verifique los códigos y reglamentos aplicables.) Vea "Instrucciones para la instalación empotrada o en armario" en la sección "Requisitos de ubicación".

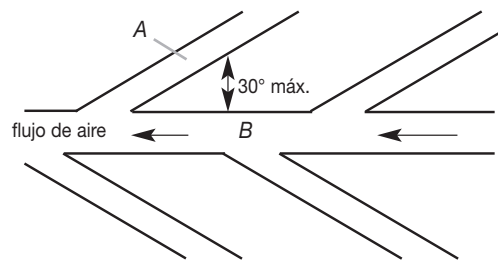
Se prefiere una capota de salida de 102 mm (4"). Aún así, podrá usarse una salida de escape de 64 mm (2½"). Una salida de 64 mm (2½") ocasiona mayor contrapresión que los otros tipos de capotas. Para una instalación permanente, se necesita un sistema fijo de ventilación.

## Ventilación para múltiples secadoras

- Puede usarse un ducto principal para ventilar un grupo de secadoras. La ventilación principal debe ser del tamaño como para eliminar 5663 l/min (200 pies cúbicos por minuto) de aire por secadora. Pueden usarse filtros de pelusa de gran capacidad con diseño apropiado en la ventilación principal si se revisan y se limpian frecuentemente. La habitación en donde estén ubicadas las secadoras deberá tener aire suficiente o mayor de todas las secadoras en la habitación.
- Los juegos reguladores de tiro de contratiro, pieza N°. 3391910, están disponibles con su distribuidor y deben instalarse en cada ducto de escape de las secadoras para prevenir que el aire de escape regrese a las secadoras y para mantener al escape en balance con la ventilación principal. Se requieren aberturas de aire sin obstrucción.

Cada ducto de escape debe entrar en la ventilación principal a un ángulo que apunte en la dirección del flujo de aire. Los ductos de escape que entren por el lado opuesto deben alternarse para lograr que el aire de escape reduzca su interferencia con otros ductos de escape.

El ángulo máximo de cada ducto que entra en el ducto principal deberá ser no más de 30°.

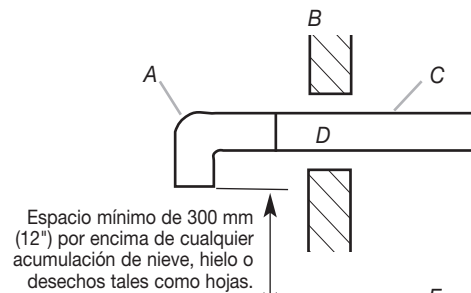


A. Ducto de escape individual de la secadora  
B. Ducto principal

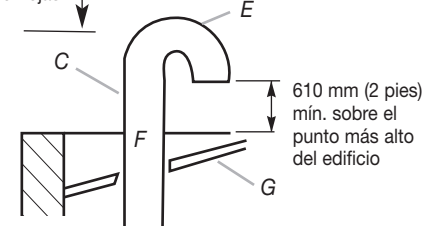
Mantenga las aberturas de aire libres de los gases de los líquidos de limpieza en seco. Los gases producen ácidos, los cuales pueden dañar las secadoras y las cargas que se estén secando cuando pasan a través de las unidades de calentamiento de las secadoras.

Debe ubicarse una cubierta de limpieza en el ducto principal para una limpieza periódica del sistema de ventilación.

### Si no puede usarse una capota de ventilación:



- Espacio mínimo de 300 mm (12") por encima de cualquier acumulación de nieve, hielo o desechos tales como hojas.
- A. Capota de ventilación o codo
  - B. Pared
  - C. Ducto colector principal
  - D. Ducto horizontal
  - E. Codo curvado a 180°
  - F. Ducto vertical
  - G. Techo



El extremo exterior de la ventilación principal debe tener un codo curvado dirigido hacia abajo. Si el ducto principal viaja verticalmente a través del techo, en lugar de la pared, instale un codo curvado a 180° en el extremo del ducto de escape, por lo menos a 610 mm (2 pies) sobre la parte más alta del edificio. La abertura de la pared o del techo debe tener un diámetro de 13 mm (½") más grande que el diámetro del ducto. El ducto debe estar centrado en la abertura.

No instale una malla metálica ni una tapa sobre el extremo del ducto.

# INSTRUCCIONES DE INSTALACIÓN - SECADORA A GAS

## Instalación de las patas niveladoras

### **⚠ ADVERTENCIA**

#### **Peligro de peso excesivo**

**Use dos o más personas para mover e instalar la secadora.**

**No seguir esta instrucción puede ocasionar una lesión en la espalda u otro tipo de lesiones.**

**NOTA:** Deslice la secadora sobre un pedazo de cartón o madera dura antes de moverla por el piso, para no dañar el acabado de éste.

1. Con la ayuda de dos o más personas, mueva la secadora al lugar deseado para su instalación.
2. Remueva la cinta de las esquinas frontales de la secadora. Abra la secadora y saque los paquetes que contienen la bolsa con el material impreso y las piezas. Limpie el interior del tambor minuciosamente con un paño húmedo.
3. Tome dos de los esquinales de cartón de la caja y colóquelos sobre el piso, en la parte posterior de la secadora. Sujete con firmeza el cuerpo de la secadora y colóquela cuidadosamente sobre su parte posterior, encima de los esquinales de cartón.
4. Con una de las patas a mano, fíjese en las ranuras para encontrar la marca en forma de diamante. Hasta ahí es donde la pata debe introducirse en el orificio.
5. Comience a atornillar las patas niveladoras en los orificios con la mano. (Use una pequeña cantidad de detergente líquido para lubricar las roscas del tornillo, y hacer de esa manera más fácil el girar las patas.) Use una llave de tuercas de 25 mm (1") o una llave de cubo para terminar de girar las patas, hasta llegar a la marca con forma de diamante. Luego haga encajar una cubierta protectora sobre cada pata. Ahora ponga la secadora de pie.
6. Quite el cartón o madera que se encuentra debajo de la secadora. Incline las patas de la secadora hacia arriba o hacia abajo hasta que la misma quede nivelada.

## Conexión del suministro de gas

### **⚠ ADVERTENCIA**

#### **Peligro de peso excesivo**

**Use dos o más personas para mover e instalar la secadora.**

**No seguir esta instrucción puede ocasionar una lesión en la espalda u otro tipo de lesiones.**

1. Quite la tapa roja del tubo de gas.
2. Conecte la línea de suministro de gas a la secadora. Si la manguera de gas flexible tiene una rosca BSP de 3/8", use el adaptador de conversión de rosca provisto. Use un compuesto para juntas de tubería resistente a la acción de gas L.P. para conexiones de gas.  
Si es necesario para darle servicio, abra el panel de pie. Use un cuchillo para masilla para presionar los 2 seguros del panel, ubicados en la parte superior del panel de pie. Tire del panel de pie hacia abajo para abrir. El panel de pie tiene bisagras en la parte inferior.

3. Abra la válvula de cierre del suministro de gas y asegúrese de que el suministro de gas de la unidad está abierto.
4. Pruebe todas las conexiones aplicando con un cepillo una solución aprobada para detección de fugas que no sea corrosiva. Se observarán burbujas si hay fugas. Tape cualquier fuga que encuentre.

## Conexión del ducto de escape

1. Usando una abrazadera de 102 mm (4"), conecte el ducto de escape a la salida de aire en la secadora. Si se conecta a un ducto de escape existente, asegúrese de que el mismo esté limpio. El ducto de escape de la secadora debe encajar sobre la salida de aire de la secadora y dentro de la capota de ventilación. Cerciórese de que el ducto de escape esté asegurado a la capota de ventilación con una abrazadera de 102 mm (4").
2. Mueva la secadora a su posición final. No aplaste ni retuerza el ducto de escape. Asegúrese de que la secadora esté nivelada.
3. Asegúrese de que no haya torceduras en la línea de gas flexible.

## Complete la instalación

1. Con la secadora en su posición final, coloque un nivel sobre la secadora, primero de lado a lado; luego de adelante hacia atrás. Si la secadora no está nivelada, ajuste las patas de la secadora hacia arriba o hacia abajo hasta que esté nivelada.

### **⚠ ADVERTENCIA**



#### **Peligro de descarga eléctrica**

**Esta secadora debe estar conectada a tierra.**

**Apriete firmemente todas las conexiones eléctricas.**

**No seguir estas instrucciones puede causar la muerte, incendio, o descarga eléctrica.**

2. Enchufe en un contacto con puesta a tierra.
3. Revise el funcionamiento de la secadora (puede que haya algo de tiempo acumulado en el temporizador debido a las pruebas de fábrica).  
Inserte las monedas en el tragamonedas y deslícelo hacia adentro presionando lentamente. (El tiempo de funcionamiento se acumulará según el número de monedas y el tipo de leva de distribución usada.) Oprima el botón de Inicio/Reinicio (START/RESTART). Usando un ciclo completo con calor (no el ciclo de aire), permita que la secadora funcione por lo menos 5 minutos en un ciclo de calor máximo. La secadora se detendrá cuando se haya terminado el tiempo.

**NOTA:** La puerta de la secadora debe cerrarse para que la misma funcione. Cuando se abre la puerta, la secadora se detiene pero el temporizador continúa funcionando. Para hacer que la secadora empiece un ciclo de nuevo, cierre la puerta y presione el botón de Inicio/Reinicio (START/RESTART).

- Si el quemador no se enciende y no siente calor dentro de la secadora, apáguela por 5 minutos. Revise que todos los controles de la válvula de suministro estén en la posición de "Encendido" (ON), y que el cable eléctrico esté enchufado. Repita la prueba de 5 minutos.

## INSTRUCCIONES DE MANTENIMIENTO

### Instrucciones de mantenimiento:

- Limpie el filtro de pelusa después de cada ciclo.
- Eliminación de pelusa acumulada:
  - En el interior de la carcasa de la secadora:  
Según el uso de la secadora, se debe quitar la pelusa cada 2 años, o con más frecuencia. La limpieza deberá efectuarla una persona calificada.
  - En el conducto de escape:  
Según el uso de la secadora, se debe quitar la pelusa cada 2 años, o con más frecuencia.

### Si la secadora no funciona, revise lo siguiente:

- Que el suministro eléctrico esté conectado.
- Que el cortacircuitos no se disparó o el fusible de la casa no está quemado.
- Que la puerta esté cerrada.
- Que los controles estén fijados en una posición de funcionamiento o Encendido (ON).
- Que el botón de START se haya presionado con firmeza.
- Revise que las válvulas de cierre del suministro de gas estén en la posición abierta.

### Si necesita ayuda:

Póngase en contacto con su distribuidor autorizado de secadoras comerciales de Maytag. Cuando llame, usted necesitará tener a mano el número del modelo y de serie de la lavadora. Ambos números se encuentran en la placa de clasificación de serie que está ubicada en el electrodoméstico. O visite: [www.MaytagCommercialLaundry.com](http://www.MaytagCommercialLaundry.com).

## ESPECIFICACIONES TÉCNICAS - SECADORA A GAS

220-240V~50Hz 1ph 3A máx. IP24 Capacidad de ropa: 9,1 kg. máx.		
Ajustado en fábrica para GAS NATURAL: Tamaño del inyector: 2,2 mm Capacidad calorífica bruta: 5,9 Kw		
País europeo:	CH, CZ, CY, ES, GB, GR, HR, IE, IT, PT, SI, SK, TR	AT, CH, CY, CZ, DK, EE, FI, GR, HU, IT, NO, RO, SE, SK, TR
Categoría europea de gas:	II <sub>2</sub> H3+	II <sub>2</sub> H3B/P
Tasa de flujo de gas:	0,562703 m <sup>3</sup> /hr	0,562703 m <sup>3</sup> /hr
Presión de suministro (G20):	20 mbar	20 mbar
Presión ajustada en fábrica:	7.4 mbar	7.4 mbar
Con juego de conversión LPG: Tamaño del inyector: 1,25 mm Capacidad calorífica bruta: 6,4 kW		
País europeo:	CH, CZ, CY, ES, GB, GR, HR, IE, IT, PT, SI, SK, TR	AT, CH, CY, CZ, DK, EE, FI, GR, HU, IT, NO, RO, SE, SK, TR
Categoría europea de gas:	II <sub>2</sub> H3+	II <sub>2</sub> H3B/P
Presión de suministro de gas butano (G30):	28-30 mbar	30 mbar
Presión ajustada:	N/A	N/A
Presión de suministro de gas propano (G31):	37 mbar	30 mbar
Presión ajustada :	N/A	N/A
<b>NOTA:</b> Juego de conversión: De gas natural a gas LP: Pieza número W10233219 de Whirlpool Fabricante: Whirlpool Corporation, Benton Harbor, Michigan 49022, USA		

---

# GARANTÍA DE MAYTAG PARA LAVADORA COMERCIAL, SECADORA, SECADORA/SECADORA APILADAS, APARATOS DE LAVANDERÍA COMERCIAL APILADOS, LAVADORAS Y SECADORAS COMERCIALES DE CARGAS MÚLTIPLES Y OPERADAS POR MONEDAS

---

## GARANTÍA LIMITADA EN LAS PIEZAS

Durante los cinco primeros años a partir de la fecha de compra, siempre y cuando este aparato comercial haya sido instalado, mantenido y operado según las instrucciones adjuntas o provistas con el producto, la marca Maytag de Whirlpool Corporation (en lo sucesivo denominada "Maytag") se hará cargo de las piezas especificadas de fábrica o de las piezas originales del equipo del fabricante, para corregir defectos en los materiales o la mano de obra. Se requiere una prueba de la fecha de compra original para obtener servicio bajo esta garantía.

---

## MAYTAG NO PAGARÁ POR LOS SIGUIENTES ARTÍCULOS:

1. Todos los otros costos incluidos mano de obra, transporte o derechos de aduana.
  2. Visitas de servicio técnico para corregir la instalación de su aparato comercial, para enseñarle a usar su aparato comercial, para cambiar o reparar fusibles o para corregir el cableado externo o la tubería.
  3. Reparaciones cuando su electrodoméstico principal se use de un modo diferente al de un comercio normal.
  4. Daños causados por el manejo inapropiado del producto durante la entrega, robo, accidente, alteración, uso indebido, abuso, incendio, inundación, actos fortuitos, instalación incorrecta, instalación que no esté de acuerdo con los códigos eléctricos o de plomería locales, o el empleo de productos no aprobados por Maytag.
  5. Recogida y entrega. Este aparato comercial ha sido diseñado para ser reparado en su lugar.
  6. Reparaciones de piezas o sistemas como resultado de modificaciones no autorizadas que se hayan efectuado en el aparato comercial.
  7. La remoción y reinstalación de su aparato comercial, si estuviera instalado en un lugar inaccesible o si no estuviera instalado de conformidad con las instrucciones de instalación publicadas.
  8. Los daños ocasionados por productos químicos están excluidos de toda cobertura de la garantía.
  9. Cambios necesarios en el edificio, habitación o lugar para hacer que el aparato comercial funcione correctamente.
- 

## EXCLUSIÓN DE GARANTÍAS IMPLÍCITAS; LIMITACIONES DE RECURSOS

EL ÚNICO Y EXCLUSIVO RECURSO DEL CLIENTE SEGÚN LOS TÉRMINOS DE ESTA GARANTÍA LIMITADA SERÁ EL DE REPARAR EL PRODUCTO SEGÚN SE ESTIPULA EN LA PRESENTE. LAS GARANTÍAS IMPLÍCITAS, INCLUYENDO LAS GARANTÍAS DE COMERCIABILIDAD O DE CAPACIDAD PARA UN PROPÓSITO PARTICULAR, SERÁN LIMITADAS A UN AÑO O AL PERÍODO MÁS CORTO PERMITIDO POR LEY. WHIRLPOOL NO SE RESPONSABILIZARÁ POR DAÑOS INCIDENTALES O CONSECUENTES. ALGUNOS ESTADOS Y PROVINCIAS NO PERMITEN LAS EXCLUSIONES O LIMITACIONES POR DAÑOS INCIDENTALES O CONSECUENTES, O LIMITACIONES ACERCA DE CUÁNTO DEBE DURAR UNA GARANTÍA IMPLÍCITA DE COMERCIABILIDAD O CAPACIDAD, DE MODO QUE LAS LIMITACIONES O EXCLUSIONES ARRIBA MENCIONADAS PUEDEN NO APLICARSE EN SU CASO. ESTA GARANTÍA LE OTORGA DERECHOS LEGALES ESPECÍFICOS Y ES POSIBLE QUE USTED TENGA TAMBIÉN OTROS DERECHOS QUE PUEDEN VARIAR DE UN ESTADO A OTRO O DE UNA PROVINCIA A OTRA.

---

Si usted necesita servicio técnico, póngase en contacto con su distribuidor autorizado de aparatos de lavandería comercial de Maytag. Para ubicar a su distribuidor autorizado de aparatos de lavandería comercial de Maytag, o para solicitar información por internet, visite [www.MaytagCommercialLaundry.com](http://www.MaytagCommercialLaundry.com).

9/07

Para obtener correspondencia por escrito:  
Maytag Commercial Laundry Service Department  
2000 M-63 North  
Benton Harbor, Michigan 49022

# SICUREZZA DELL'ASCIUGATRICE

## La sicurezza dell'utente e degli altri è fondamentale.

Il presente manuale e l'elettrodomestico stesso contengono numerosi importanti messaggi sulla sicurezza. Leggere e seguire sempre tutti i messaggi di sicurezza.



Questo è il simbolo che indica un pericolo.

Questo simbolo avverte l'utente dei possibili pericoli mortali per sé e per gli altri.

Tutti i messaggi di sicurezza sono contrassegnati dal simbolo di allarme sicurezza e dalle parole "PERICOLO" o "AVVERTENZA". Significato:

**⚠ PERICOLO**

Pericolo di morte o di lesioni gravi in caso di mancata osservanza immediata delle istruzioni.

**⚠ AVVERTENZA**

Pericolo di morte o di lesioni gravi in caso di mancata osservanza delle istruzioni.

Tutti i messaggi di sicurezza informano l'utente sulla tipologia del pericolo, su come ridurre il rischio di lesioni e su cosa può succedere in caso di mancata osservanza delle istruzioni.

## PER LA TUA SICUREZZA

1. Non utilizzare o conservare benzina o altri materiali infiammabili nell'apparecchiatura o nelle sue vicinanze.
2. Non spruzzare l'aerosol nelle vicinanze dell'apparecchiatura quando è in funzione.
3. Non modificare l'apparecchiatura.

**AVVERTENZA: Per la vostra sicurezza, attenersi sempre alle informazioni contenute in questo manuale per ridurre i rischi di incendio o di esplosione e per prevenire danni alle cose, lesioni fisiche e rischio di morte**

- Non lasciare o utilizzare benzina o altri gas o liquidi infiammabili nelle vicinanze a questo o di altri elettrodomestici.
- **COSA FARE SE SI SENTE ODORE DI GAS:**
  - Non accendere nessun apparecchio.
  - Non toccare alcun interruttore, non utilizzare il telefono nella propria abitazione.
  - Evacuare la stanza, l'abitazione o l'area.
  - Chiamare immediatamente il fornitore di gas dal telefono di un vicino. Seguire le istruzioni del fornitore di gas.
  - In caso non fosse possibile contattare il fornitore di gas, chiamare i vigili del fuoco.
- L'installazione e la manutenzione devono essere eseguite solo da un installatore qualificato, servizio di assistenza o dal fornitore del gas.

# L'ELIMINAZIONE DELL'ASCIUGATRICE



Questo elettrodomestico è stato contrassegnato in ottemperanza alla Direttiva Europea 2002/ 96/ EC sulle Attrezzature Elettriche ed Elettroniche da Smaltire (WEEE).

Assicurarsi che questo prodotto venga eliminato correttamente, in modo da evitare possibili conseguenze dannose per l'ambiente e la salute umana, che potrebbero altrimenti sorgere dalla gestione errata dello smaltimento dell'elettrodomestico stesso.

Il simbolo sul prodotto, o sui documenti che lo accompagnano, indica che questo elettrodomestico non deve essere trattato come un rifiuto domestico. Deve, al contrario, essere consegnato al punto di raccolta previsto per il riciclaggio di attrezzature elettriche ed elettroniche.

L'eliminazione deve essere eseguita in ottemperanza alle norme ambientali sullo smaltimento dei rifiuti.

Per ulteriori informazioni dettagliate sul trattamento, il recupero ed il riciclaggio di questo prodotto, si prega di contattare l'ufficio municipale più vicino, il servizio di smaltimento dei rifiuti domestici o il negozio dove è stato acquistato questo prodotto.

## REQUISITI D'INSTALLAZIONE

### Attrezzi e componenti

Raccogliere gli attrezzi e i componenti necessari prima di iniziare l'installazione.

#### Attrezzi necessari:

- Chiave per tubi da 200 mm (8") or 250 mm (10")
- Chiave regolabile da 200 mm (8") or 250 mm (10")
- Cacciavite a testa piatta
- Cacciavite Phillips
- Chiave regolabile con apertura a 2,5 cm (1") o chiave a tubo esagonale
- Livello
- Chiave a tubo da 8 mm ( $\frac{5}{16}$ ")
- Coltello multiuso
- Morsetti per lo scarico
- Pistola per presellatura e presello (per l'installazione del nuovo scarico)
- Pinza
- Spatola per stucco

#### Componenti in dotazione:

Rimuovere il sacchetto dei componenti dall'asciugatrice. Controllare che vi siano inclusi tutti i pezzi necessari.

- Protezione piede (4)
- Piede asciugatrice (4)

**NOTA:** lo schema del circuito della macchina è situato all'interno del pannello inferiore anteriore.

### Requisiti di ubicazione

#### AVVERTENZA



#### Rischio di esplosione

**Tenere materiali e vapori infiammabili, quali benzina, lontani dall'asciugatrice.**

**Non installare in un garage.**

**La mancata osservanza di queste precauzioni può provocare la morte, esplosioni o incendi.**

**Se si installa un'asciugatrice a gas:**

**IMPORTANTE:** rispettare le normative e le ordinanze governative.

- Controllare i requisiti normativi: alcune normative limitano o proibiscono l'installazione di asciugatrici in garage, armadi o luoghi dove si dorme. Contattare l'ispettore edilizio locale.
- Assicurarsi che i bordi inferiori dell'armadio e le pareti posteriore e inferiore dell'asciugatrice siano sgomberi da ostacoli per consentire un adeguato spazio per le aperture per il passaggio dell'aria di combustione. Vedi sotto "Istruzioni di installazione incassata e in armadi" per i requisiti minimi di spazio.

**NOTA:** non installare l'asciugatrice in una zona esposta ad acqua e/o intemperie.



## Istruzioni di installazione incassata e in armadi

È possibile installare l'asciugatrice incassata o in un armadio. Non installare l'asciugatrice dietro a una porta bloccabile, scorrevole o con la cerniera nella parte opposta dell'asciugatrice.

Lo spazio di installazione è in millimetri e rappresenta il minimo consentito.

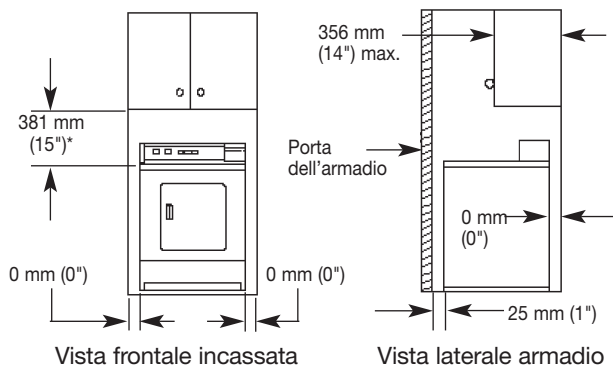
Per agevolare le operazioni di installazione e assistenza, e per rispettare la conformità con le normative locali, è opportuno considerare spazio aggiuntivo.

Se si installa una porta dell'armadio, è necessaria un'apertura non ostruita nella parte superiore e inferiore. Sono accettabili porte a persiana o simili.

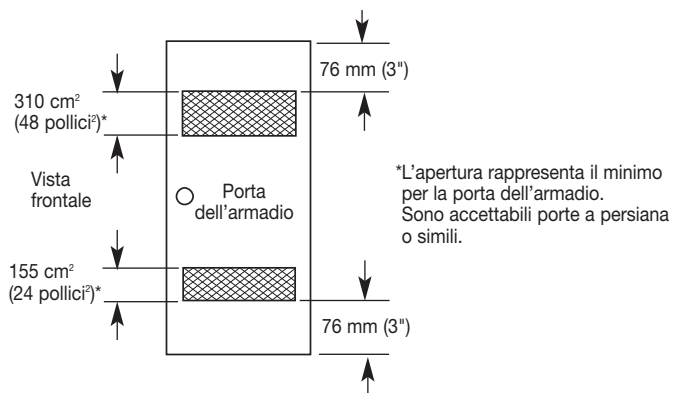
Lo scarico dell'asciugatrice deve essere diretto all'esterno.

Non installare altre apparecchiature a combustione nello stesso armadio dell'asciugatrice.

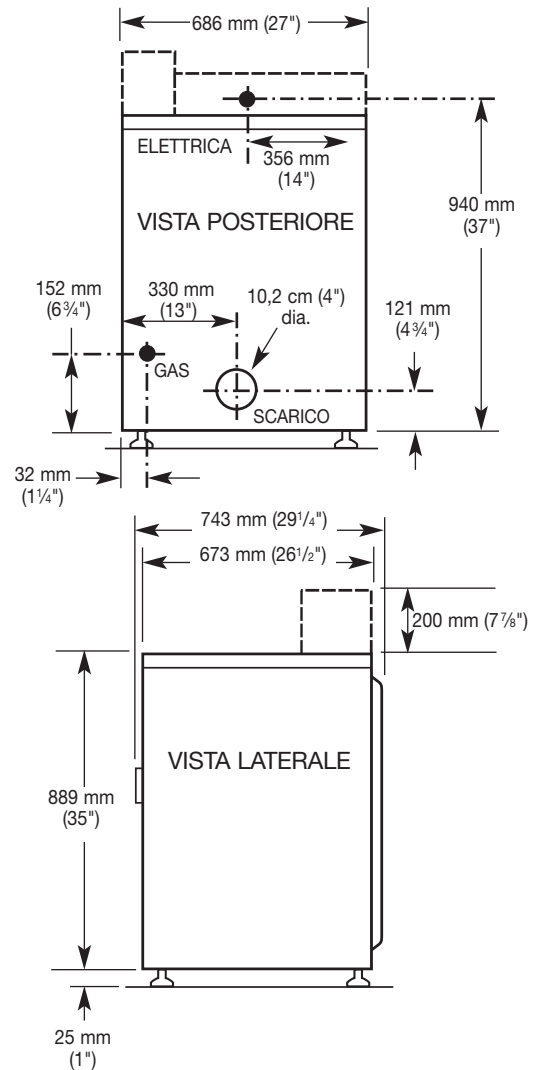
### Spazi minimi di installazione



Può essere necessario spazio aggiuntivo per pareti, sportelli e porte, oppure nel caso in cui venga utilizzato un gomito di scarico esterno.



## Dimensioni del prodotto asciugatrice da 686 mm (27")



## Requisiti elettrici - Asciugatrice a gas

**Importante:** rispettare le normative e le ordinanze governative. Questa asciugatrice è fornita/dotata di un cavo e di una spina di alimentazione di corrente elettrica. Deve essere collegata alla presa della corrente elettrica al voltaggio indicato sulla targa dei dati tecnici. La capacità minima di alimentazione del fusibile è di 5A. L'asciugatrice deve essere posta in posizione tale da rendere la spina accessibile. Se la spina in dotazione non è utilizzata, il collegamento elettrico deve essere effettuato da un tecnico qualificato in conformità alle disposizioni nazionali e locali.

Se il cavo dell'alimentazione è danneggiato, deve essere sostituito con un cavo specifico da un tecnico autorizzato del servizio di assistenza o da personale qualificato per evitare qualsiasi rischio.

Non utilizzare adattatori.

Non utilizzare prolunghe.

### **⚠ AVVERTENZA**



#### Pericolo di scossa elettrica

**L'asciugatrice deve essere dotata di messa a terra.**

**Non mettere a terra verso un tubo di gas.**

**Non utilizzare fusibili nel circuito neutro o di terra.**

**Verificare con un elettricista esperto l'adeguata messa a terra dell'asciugatrice.**

**La mancata osservanza di queste istruzioni può causare morte, incendi o gravi lesioni.**

Qualora le normative lo consentano, si utilizza un cavo di messa a terra aggiuntivo, facendo determinare a un elettricista esperto il percorso adeguato.

#### ISTRUZIONI PER LA MESSA A TERRA

■ Per asciugatrice collegata con cavo di messa a terra: L'asciugatrice deve essere messa a terra. In caso di anomalie nel funzionamento o di guasto, la messa a terra riduce il rischio di shock elettrico fornendo un percorso di resistenza minore per la corrente elettrica. L'asciugatrice è dotata di un cavo provvisto di conduttore di messa a terra dell'apparecchio e di una spina di messa a terra. La spina deve essere collegata a terra in una presa adeguata, correttamente installata e collegata a terra conformemente a tutti i codici e le disposizioni locali.

**AVVERTENZA:** il collegamento improprio del conduttore di messa a terra dell'apparecchiatura può provocare il rischio di shock elettrico.

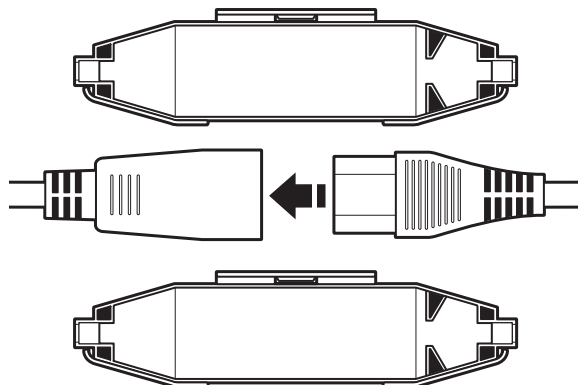
Per verificare che l'asciugatrice sia stata correttamente messa a terra, consultare un tecnico qualificato, rappresentante o personale tecnico del servizio di assistenza. Non modificare la spina fornita con l'asciugatrice. Se non entra nella presa, fare installare una presa adeguata da un tecnico qualificato.

**CONSERVARE LE PRESENTI ISTRUZIONI**

## Se si utilizza il cavo universale incluso con l'asciugatrice:

L'asciugatrice a gas è dotata di un cavo universale munito di spine intercambiabili.

1. Per usare il cavo universale, scegliere l'uscita della spina adatta alla presa della corrente e inserirla nell'adattatore sul cavo dell'alimentazione.
2. Fissare l'estremità della spina in posizione sul cavo allineando le due metà della copertura sull'adattatore del cavo e unendole.



## Requisiti di alimentazione del gas

### **⚠ AVVERTENZA**



#### Rischio di esplosione

**Collegare l'asciugatrice a un'alimentazione del gas regolata. La pressione di alimentazione deve essere conforme ai Dati Tecnici (vedi ultima pagina).**

**Installare una valvola di arresto.**

**Bloccare saldamente tutti i collegamenti del gas.**

**Se collegato a gas di petrolio liquefatto, è necessario che un tecnico qualificato verifichi che la pressione del gas sia corretta.**

**La mancata osservanza di tale procedura potrebbe causare morte, esplosioni o incendi.**

**IMPORTANTE:** Osservare tutti codici e le disposizioni governative.

#### Alimentazione del gas:

Prima dell'installazione, controllare che le condizioni della distribuzione locale di gas, il tipo di gas e di pressione e la regolazione dell'elettrodomestico siano compatibili. Le informazioni relative al bruciatore si trovano sulla targa dei dati tecnici del modello/di serie nell'incassatura dello sportello dell'asciugatrice. Se tali informazioni non corrispondono al tipo di gas disponibile, consultare il proprio rivenditore.

## Gas naturale:

L'asciugatrice è stata fabbricata per essere utilizzata con GAS NATURALE (G20), non è necessario alcun adattamento ulteriore al momento dell'installazione.

## Gas di petrolio liquefatto:

L'asciugatrice è certificata anche per l'uso con gas di petrolio liquefatto (propano o butano) opportunamente convertiti. Non tentare assolutamente di convertire l'elettrodomestico per un uso diverso da quello con il gas specificato sulla targa dei dati tecnici del modello/di serie senza aver prima consultato il fornitore di gas.

La conversione deve essere effettuata da un tecnico qualificato.

Il kit di conversione del gas, pezzo numero W10233219, può essere acquistato presso il proprio rivenditore. Le istruzioni complete sono fornite insieme al kit.

## Requisiti del cavo di alimentazione:

Dotare la postazione dell'asciugatrice di un cavo rigido di alimentazione del gas. Esso deve misurare almeno 12,5 mm (1/2") ID. Se consentito dal fornitore di gas e dalle normative locali, è possibile utilizzare un filo di alimentazione rigido di 10 mm (3/8") ID per lunghezze inferiori a 6,1 m (20'). È necessario utilizzare un adesivo per tubature resistente all'azione del gas di petrolio liquefatto.

Il collegamento del gas all'asciugatrice deve essere realizzato con un tubo flessibile per gas adatto all'elettrodomestico e al tipo di gas conformemente alle disposizioni nazionali di installazione. In caso di perplessità, contattare il fornitore di gas. Esso dovrebbe misurare minimo 10 mm (3/8") ID.

Tra la parete e l'elettrodomestico deve essere applicata una protezione per evitare che il filo rigido di alimentazione del gas si deformi quando si muove l'elettrodomestico. Si raccomanda l'uso di una catena di lunghezza adeguata e di un gancio da parete.

Il collegamento di immissione del gas nell'asciugatrice è un cavo NPT di 3/8". Viene fornito un adattatore per la conversione a cavo standard ISO 228 (3/8" BSP).

Controllare se sono presenti perdite utilizzando una soluzione di rilevamento delle perdite non corrosiva. Le bolle indicano la presenza di una perdita. Riparare immediatamente eventuali perdite. La valvola del gas all'interno dell'asciugatrice è dotata di una filettatura per misurare la pressione, a cui si può accedere rimuovendo il pannello anteriore inferiore.

L'asciugatrice deve essere scollegata dal sistema di condotta per l'alimentazione del gas durante il controllo della pressione del sistema.

## Requisiti di scarico

### **AVVERTENZA**



#### **Rischio di incendio**

**Utilizzare uno scarico in metallo pesante.**

**Non utilizzare uno scarico in plastica.**

**Non utilizzare uno scarico in lamina metallica.**

**La mancata osservanza di queste istruzioni può causare morte o incendi.**

**AVVERTENZA:** per ridurre il rischio di incendio, LO SCARICO DELL'ASCIUGATRICE DEVE ESSERE DIRETTO VERSO L'ESTERNO.

- Fornire una ventilazione adeguata per evitare il riflusso di gas all'interno della stanza, derivanti da apparecchiature a combustione, incluse le fiamme aperte (ovvero il flusso di aria disponibile all'interno della stanza deve essere pari a quello esterno).
- Il sistema di condotta deve essere realizzato in modo tale da impedire che qualsiasi condensa che si è formata utilizzando l'asciugatrice a freddo, possa essere trattenuta, evaporando di nuovo successivamente, o scaricata.
- Non far scaricare l'asciugatrice nella stessa canna fumaria, parete, soffitto o spazio nascosto utilizzato per scaricare i fumi generati da apparecchiature che bruciano gas o altri combustibili.
- Non utilizzare cappe con blocco magnetico.
- Non installare uno scarico in metallo flessibile in pareti, soffitti o pavimenti chiusi.
- Utilizzare morsetti e uno scarico in metallo pesante da 102 mm (4").
- Utilizzare i morsetti per sigillare tutti i raccordi. Non connettere o fissare lo scarico con viti o altri dispositivi di fissaggio che si estendano all'interno dello stesso. Non utilizzare nastro isolante.

**IMPORTANTE:** rispettare le normative e le ordinanze governative.

Utilizzare uno scarico in metallo pesante. Non utilizzare uno scarico in plastica o lamina metallica.

Si consiglia uno scarico in metallo rigido per prevenire piegature e attorcigliamenti.

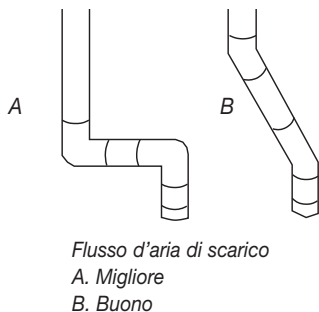
Stendere completamente lo scarico in metallo flessibile e sostenerlo quando l'asciugatrice si trova alla sua estremità. Eliminare lo scarico in metallo flessibile in eccesso per evitare cedimenti e attorcigliamenti che possono ridurre il flusso dell'aria e rendere scarse le prestazioni.

Coprire lo scarico con una cappa per impedire l'ingresso di roditori e insetti in casa o nel luogo di lavoro.

La cappa di scarico deve trovarsi ad almeno 30,5 cm (12") da terra o dagli altri oggetti presenti nel raggio di azione dello scarico (quali fiori, pietre, cespugli).

Se si utilizza un impianto di scarico esistente, pulire tutto il sistema, accertandosi che la cappa non sia intasata con garza. Sostituire gli eventuali scarichi in plastica o lamina metallica con scarichi in metallo rigido o flessibile.

Piano di installazione per utilizzare il numero minimo di gomiti e curve.



Quando si utilizzano gomiti o curve prevedere il maggiore spazio possibile. Piegare lo scarico gradualmente per evitare attorcigliamenti.

L'uscita di scarico si trova al centro della parte posteriore dell'asciugatrice.

È possibile instradare lo scarico verso l'alto, il basso, a destra o a sinistra, dietro l'asciugatrice o direttamente al di fuori della parte posteriore.

## Lunghezza dell'impianto di scarico

La lunghezza massima dell'impianto di scarico dipende dal tipo di scarico utilizzato, dal numero di gomiti e dal tipo di cappa.

### Lunghezza massima dello scarico

Diametro delle cappe di scarico 102 mm (4")

Scarico in metallo rigido		
N. di curve da 90°	Cappa quadrata e a persiana	Cappa angolata
0	19,5 m (64 piedi)	17,7 m (58 piedi)
1	16,5 m (54 piedi)	14,6 m (48 piedi)
2	13,4 m (44 piedi)	11,6 m (38 piedi)
3	10,7 m (35 piedi)	8,8 m (29 piedi)
4	8,2 m (27 piedi)	6,4 m (21 piedi)

Se l'asciugatrice viene installata in un'area ristretta, quale una camera da letto, un bagno o un armadio, fornire aria a sufficienza per la combustione e la ventilazione (rispettare le normative e le ordinanze governative). Consultare "Istruzioni di installazione incassata e in armadi", nella sezione "Requisiti di ubicazione".

È preferibile una cappa con uscita da 102 mm (4") Tuttavia, è possibile utilizzare una cappa di scarico con uscita da 64 mm (2½"). Una cappa di scarico con uscita da 64 mm (2½") genera una pressione maggiore rispetto agli altri tipi di cappa. Per installazioni permanenti, è necessario un impianto di scarico fisso.

## Scarico di asciugatrici multiple

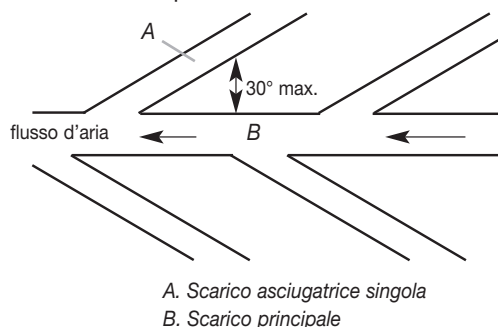
- Per lo scarico di un gruppo di asciugatrici è possibile utilizzare uno scarico principale. Lo scarico principale deve avere dimensioni tali da rimuovere 5663 l/min (200 CFM) d'aria per asciugatrice. Nello scarico principale sono utilizzabili filtri in garza di grande capacità progettati

appositamente. La stanza in cui vengono sistemate le asciugatrici deve prevedere un rinnovo d'aria uguale o maggiore al flusso d'aria di tutte le asciugatrici presenti.

- Il kit di attenuazione del ritorno d'aria, n. parte 3391910, è disponibile presso il rivenditore e va installato nello scarico di ciascuna asciugatrice per prevenire il ritorno dell'aria e per mantenere lo scarico in equilibrio entro lo scarico principale. Le aperture dell'aria non devono essere ostruite.

Ciascuno scarico deve entrare nello scarico principale con un angolo che punta nella direzione del flusso d'aria. Sfalsare gli scarichi che entrano dal alto opposto per ridurre l'interferenza dell'aria di scarico con gli altri scarichi.

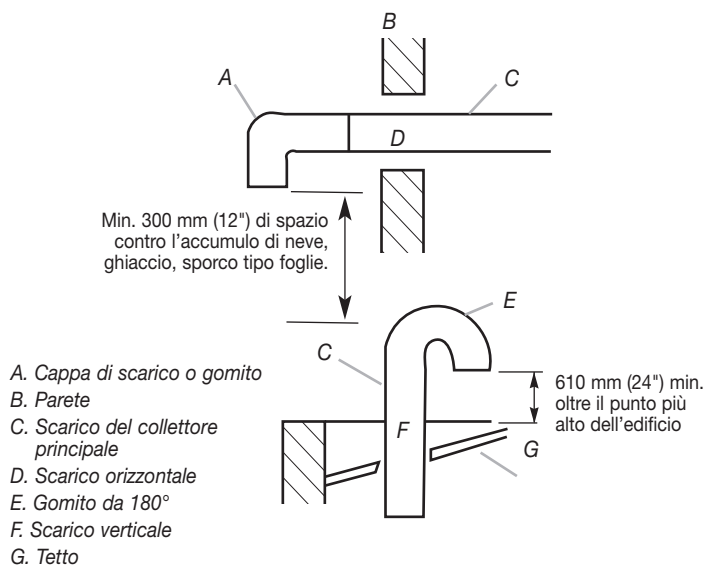
L'angolo massimo di ciascuno scarico che entra in quello principale non deve superare i 30°.



Tenere le aperture dell'aria libere da fumi dei fluidi della pulizia a secco. I fumi generano acidi, che quando passano attraverso le unità di riscaldamento dell'asciugatrice, possono danneggiare asciugatrici e carichi in fase di asciugatura.

Posizionare un coperchio a sifone sullo scarico principale per la pulizia periodica dell'impianto di scarico.

### Se è impossibile utilizzare una cappa di scarico:



L'estremità esterna dello scarico principale deve essere dotato di un gomito diretto verso il basso. Se lo scarico principale si sposta verticalmente sul tetto, piuttosto che sulla parete, installare un gomito da 180° sull'estremità dello scarico almeno 610 mm (2 piedi) oltre il punto più alto dell'edificio. L'apertura sulla parete o sul tetto devono avere un diametro da 13 mm (½") maggiore di quello dello scarico. Centrare lo scarico nell'apertura.

Non installare filtri o tappe oltre l'estremità dello scarico.

# ISTRUZIONI D'INSTALLAZIONE - ASCIUGATRICE A GAS

## Installazione dei piedini di regolazione

### **AVVERTENZA**

#### Rischio di altezza eccessiva

**Per spostare e installare l'asciugatrice occorrono due o più persone.**

**La mancata osservanza può risultare in lesioni alla schiena o di altro tipo.**

**NOTA:** far scivolare l'asciugatrice su cartone o pannelli prima di spostarla per evitare di danneggiare il pavimento.

1. Per spostare l'asciugatrice alla posizione di installazione occorrono due o più persone.
2. Rimuovere il nastro dagli angoli anteriori dell'asciugatrice. Aprire l'asciugatrice e rimuovere le confezioni contenenti la documentazione e i componenti. Pulire a fondo la parte interna del tamburo con un panno umido.
3. Prendere due angoli di cartone della confezione e posizionarli sul pavimento nella parte posteriore dell'asciugatrice. Afferrare saldamente il corpo dell'asciugatrice distendendola sulla parte posteriore sugli angoli di cartone.
4. Reggendo uno dei piedini, controllare le creste cercando il segno a forma di diamante. È questo il modo in cui il piede deve entrare nel foro.
5. Cominciare ad avvitare a mano i piedi di regolazione nei fori (utilizzare una piccola quantità di liquido detergente per lubrificare le filettature, per rendere più semplice il movimento di rotazione). Utilizzare una chiave o una chiave a tubo da 25 mm (1") per completare l'avvitamento dei piedi fino a raggiungere il segno a forma di diamante. Posizionare una protezione sotto ciascun piede.
6. Sollevare l'asciugatrice.
7. Rimuovere il cartone o il pannello rigido. Regolare i piedi dell'asciugatrice verso l'alto o verso il basso fino a quando l'asciugatrice non è a livello.

## Eeguire il collegamento gas

### **AVVERTENZA**

#### Rischio di altezza eccessiva

**Per spostare e installare l'asciugatrice occorrono due o più persone.**

**La mancata osservanza può risultare in lesioni alla schiena o di altro tipo.**

1. Rimuovere il tappo rosso dal tubo del gas.
2. Collegare la condotta del gas all'asciugatrice. Se il tubo flessibile del gas è dotato di attacco 3/8" BSP, utilizzare l'adattatore di conversione della filettatura fornito in dotazione. È necessario utilizzare adesivo per tubature resistente all'azione del gas di petrolio liquefatto per i collegamenti del gas. Se indispensabile, aprire il pannello in basso. Servirsi di un coltello per premere sulle due chiusure del pannello posizionate nella parte superiore del pannello. Tirare verso il basso sul pannello per aprire. Il pannello è fissato ai cardini nella parte inferiore.
3. Aprire la valvola di arresto nella condotta di alimentazione del gas.
4. Controllare tutti i collegamenti applicando una soluzione di rilevamento delle perdite non corrosiva. Le bolle indicano la presenza di una perdita. Riparare immediatamente eventuali perdite.

## Connessione dello scarico

1. Utilizzando un morsetto da 102 mm (4"), connettere lo scarico all'uscita di scarico dell'asciugatrice. Se si collega a uno scarico esistente, verificare che lo scarico sia pulito. Lo scarico dell'asciugatrice deve trovarsi fuori l'uscita dello scarico e all'interno della cappa di scarico. Verificare che lo scarico sia fissato alla cappa tramite un morsetto da 102 mm (4").
2. Spostare l'asciugatrice nella posizione finale. Non piegare o attorcigliare lo scarico. Verificare che lo scarico sia a livello.
3. Controllare per assicurarsi che il tubo flessibile del gas non sia attorcigliato.

## Completamento dell'installazione

1. Quando l'asciugatrice si trova nella posizione finale, posizionare un livello sulla parte superiore prima da destra a sinistra e poi dalla parte anteriore a quella posteriore. Se l'asciugatrice non è a livello, regolare i piedini verso l'alto o verso il basso.

### **⚠ AVVERTENZA**



#### **Pericolo di scossa elettrica**

**L'asciugatrice deve essere messa a terra.**

**Serrare in modo saldo tutte le connessioni elettriche.**

**La mancata osservanza di queste precauzioni può provocare la morte, incendi o scosse elettriche.**

2. Allacciare a una presa collegata a terra.
3. Controllare il funzionamento dell'asciugatrice (sul timer può essere presente tempo accumulato a causa dei test di fabbrica).  
Inserire le monete e premere lentamente lo scivolo (il tempo operativo si accumula in base al numero di monete e al tipo di camma di fase utilizzata). Premere il pulsante START/RESTART. Utilizzando un ciclo di riscaldamento completo (non il ciclo ad aria), lasciare l'asciugatrice in funzione per almeno cinque minuti.  
Quando il tempo è trascorso l'asciugatrice si ferma.  
**NOTA:** chiudere lo sportello dell'asciugatrice per consentirle di funzionare. Quando lo sportello è aperto l'asciugatrice si ferma ma il timer continua ad funzionare. Per riavviare l'asciugatrice, chiudere lo sportello e premere il pulsante START/RESTART.
4. Se il bruciatore non si accende e non si sente il calore nell'asciugatrice, arrestare l'asciugatrice per cinque minuti. Verificare che tutti i controlli delle valvole di alimentazione si trovino in posizione di "APERTO" e che nessun cavo elettrico sia collegato alla corrente. Ripetere l'operazione di prova di cinque minuti.

# ISTRUZIONI DI MANUTENZIONE

## Istruzioni di manutenzione:

- Pulire il filtro in garza dopo ogni ciclo.
- Rimozione della garza accumulata:
  - Dalla parte interna dell'asciugatrice:
 

Rimuovere la garza ogni 2 anni o più spesso, in base all'utilizzo dell'asciugatrice. La pulizia deve essere eseguita da personale qualificato.
  - Dallo scarico:
 

Rimuovere la garza ogni 2 anni o più spesso, in base all'utilizzo dell'asciugatrice.

## Se l'asciugatrice non funziona controllare che:

- L'alimentazione elettrica sia connessa.
- L'interruttore di circuito non sia scattato o il fusibile non sia bruciato.
- Lo sportello sia chiuso.
- I comandi siano in posizione "ON" o siano attivati.
- Il pulsante START sia stato premuto.
- Controllare che le valvole di arresto dell'alimentazione del gas si trovino in posizione di apertura.

## Per l'assistenza:

Contattare il rivenditore autorizzato di asciugatrici Commerciali Maytag. Al momento della chiamata, tenere a portata di mano il numero del modello e il numero di serie della lavatrice riportati sulla targhetta situata sull'elettrodomestico oppure visitare il sito [www.MaytagCommercialLaundry.com](http://www.MaytagCommercialLaundry.com).

## DATI TECNICI - ASCIUGATRICE A GAS

Alimentazione monofase 220-240V~50Hz 3A max. IP24 Carico massimo: 9.1 kg max.		
Fabbricata per GAS NATURALE: Dimensioni iniettore: 2,2 mm Assorbimento massimo: 5,9 KW		
Paesi Europei:	CH, CZ, CY, ES, GB, GR, HR, IE, IT, PT, SI, SK, TR	AT, CH, CY, CZ, DK, EE, FI, GR, HU, IT, NO, RO, SE, SK, TR
Tipologia europea di gas:	<sub>2</sub> H <sub>3</sub> +	<sub>2</sub> H <sub>3</sub> B/P
Portata gas:	0,562703 m <sup>3</sup> /hr	0,562703 m <sup>3</sup> /hr
Pressione di alimentazione (G20):	20 mbar	20 mbar
Pressione regolata di fabbricazione:	7,4 mbar	7,4 mbar
Con kit di conversione Gas di petrolio liquefatto: Dimensioni iniettore: 1,25 mm Assorbimento massimo: 5,7 KW		
Paesi Europei:	CH, CZ, CY, ES, GB, GR, HR, IE, IT, PT, SI, SK, TR	AT, CH, CY, CZ, DK, EE, FI, GR, HU, IT, NO, RO, SE, SK, TR
Tipologia europea di gas:	<sub>2</sub> H <sub>3</sub> +	<sub>2</sub> H <sub>3</sub> B/P
Pressione di alimentazione butano (G30):	28-30 mbar	30 mbar
Pressione regolata:	N/A	N/A
Pressione di alimentazione propano (G31):	37 mbar	30 mbar
Pressione regolata:	N/A	N/A
<b>NOTA:</b> Kit di conversione: Da gas naturale a gas di petrolio liquefatto: Pezzo Whirlpool n. W10233219. Produttore: Whirlpool Corporation, Benton Harbor, Michigan 49022, USA		

---

# GARANZIA LAVATRICI, ASCIUGATRICI, ASCIUGATRICI IMPILATE COMMERCIALI, LAVATRICI COMMERCIALI IMPILATE, LAVATRICI E ASCIUGATRICI COMMERCIALI A GETTONI MULTI CARICO MAYTAG

---

## GARANZIA LIMITATA SUI PEZZI

Per i primi cinque anni dalla data di acquisto, ove l'installazione, la manutenzione e il funzionamento siano avvenuti in conformità con le istruzioni allegate o fornite con il prodotto, Maytag marchio di Whirlpool Corporation (da questo momento "Maytag") sarà responsabile del rimborso delle parti indicate dalla fabbrica o delle parti delle apparecchiature originali indicate dal produttore in caso di difetti nei materiali o di fabbricazione. È necessaria una prova della data di acquisto per ottenere l'assistenza coperta dalla presente garanzia.

---

## VOCI NON A CARICO DI MAYTAG:

1. Tutti gli altri costi inclusi, manodopera, trasporto o dazi doganali.
  2. L'assistenza in caso di errata installazione dell'apparecchiatura commerciale, per ricevere istruzioni sull'uso del dispositivo, per la sostituzione o riparazione di fusibili oppure per correggere il cablaggio o l'impianto idraulico esterni.
  3. Riparazioni in caso di utilizzo dell'apparecchiatura al di fuori del proprio regolare uso commerciale.
  4. Danni provocati dall'errata manipolazione del prodotto durante la consegna, furto, incidenti, alterazioni, cattivo utilizzo, abusi, incendio, inondazione, cause di forza maggiore, errata installazione, installazione non in conformità con le norme sugli impianti elettrici e idraulici locali, uso di prodotti non approvati da Maytag.
  5. Ritiro e consegna. Questo dispositivo commerciale è progettato per essere riparato in situ.
  6. Riparazioni di parti o sistemi provocate da modifiche non autorizzate apportate al dispositivo commerciale.
  7. La rimozione e reinstallazione del dispositivo commerciale se installato in un'area di difficile accesso o non in conformità con le istruzioni di installazione pubblicate.
  8. I danni chimici sono esclusi dalla copertura della garanzia.
  9. Le modifiche all'edificio, alla stanza o all'area necessarie al corretto funzionamento del dispositivo commerciale.
- 

## LIMITAZIONE DELLE GARANZIE IMPLICITE; LIMITAZIONE DEI RIMEDI

UNICO E SOLO RIMEDIO DA PARTE DEL CLIENTE SOTTO LA PRESENTE GARANZIA È LA RIPARAZIONE DEL PRODOTTO COME SPECIFICATO DALLA PRESENTE GARANZIA. LE GARANZIE IMPLICITE, INCLUSE LE GARANZIE DI COMMERCIALITÀ O IDONEITÀ PER UNO SCOPO PARTICOLARE, SONO LIMITATE A UN ANNO O AL PERIODO MINIMO CONSENTITO DALLA LEGGE. WHIRPOOL NON È RESPONSABILE DI INCIDENTI O DANNI DA ESSI DERIVANTI. ALCUNI STATI E PROVINCE NON RICONOSCONO L'ESCLUSIONE DI DANNI INCIDENTALI O CONSEGUENZIALI O LE LIMITAZIONI SULLA DURATA DELLE GARANZIE IMPLICITE DI COMMERCIALITÀ O IDONEITÀ; PERTANTO QUESTA LIMITAZIONE ED ESCLUSIONE POTREBBE NON ESSERE APPLICABILE. LA PRESENTE GARANZIA FORNISCE DIRITTI LEGALI SPECIFICI OLTRE A QUELLI EVENTUALI CHE SPETTANO IN BASE ALLO STATO O ALLA PROVINCIA A CUI SI APPARTIENE.

---

Per assistenza, contattare il distributore autorizzato di lavatrici commerciali Maytag. Per localizzare il rivenditore Maytag locale o per richieste via Web, visitare [www.MaytagCommercialLaundry.com](http://www.MaytagCommercialLaundry.com).

Per inviare richieste per iscritto scrivere a:  
Maytag Commercial Laundry Service Department  
2000 M-63 North  
Benton Harbor, Michigan 49022

9/07



## Free Manuals Download Website

<http://myh66.com>

<http://usermanuals.us>

<http://www.somanuals.com>

<http://www.4manuals.cc>

<http://www.manual-lib.com>

<http://www.404manual.com>

<http://www.luxmanual.com>

<http://aubethermostatmanual.com>

Golf course search by state

<http://golfingnear.com>

Email search by domain

<http://emailbydomain.com>

Auto manuals search

<http://auto.somanuals.com>

TV manuals search

<http://tv.somanuals.com>