



SkyBox™ by Maytag™

Personal Beverage Vendor

Model # MBV1976AA

The bragging rights are all yours. Congratulations on your purchase of the SkyBox™ by Maytag™ personal beverage vendor. It's time to assemble your SkyBox™ personal beverage vendor, stock it with your favorite cans or bottles, and give your buddies a call. Don't be surprised if they spend more time checking out the SkyBox™ personal beverage vendor than they do the instant replays!

Table of Contents

Important Safety Instructions	1-2
Product Overview.....	3
Assembly	4-9
Operation.....	10-11
Features	12
Maintenance	13
Before You Call For Service.....	14
Warranty/Customer Service	15
Français	16
Espagnol	32

Important Safety Instructions

Important Safeguards

⚠ WARNING

To reduce risk of fire, electric shock, serious injury or death when using your refrigerated unit and stand, follow these basic precautions, including the following:

1. Read all instructions.
2. To prevent injury, children should not climb, hang or stand on any part of this refrigerated unit or stand.
3. Use the refrigerated unit and stand only for their intended purpose.
4. Observe all local codes and ordinances.
5. To prevent the possibility of hazard due to electrical shock, never plug the refrigerated unit in to a receptacle that has not been grounded adequately and in accordance with the local and national electrical codes. See warning and the grounding instructions that follow.
6. Do not use a 2-prong adapter, extension cord or power strip.
7. Disconnect the power cord to the refrigerated unit before loading cans or bottles into it, cleaning, servicing or replacing a light bulb. Disconnect power cord by grasping the plug, not the cord.
8. The refrigerated unit power cord should be immediately repaired or replaced if it becomes frayed or damaged or if the plug will not fit securely into the electrical outlet.
9. To prevent fire hazard, your refrigerated unit should not be operated in the presence of gasoline or other flammable vapors and liquids.
10. Keep your SkyBox™ personal beverage vendor in good condition. Bumping or dropping the personal beverage vendor and/or SkyBase™ stand can damage them or cause them to malfunction or leak. If damage occurs, contact a qualified service technician for repair.
11. Always read and follow manufacturer's installation and operation instructions for items being stored in refrigerated unit. Load cans or bottles into the personal beverage vendor as described in this guide.
12. Do not lift or move the personal beverage vendor and/or SkyBase™ stand when it is loaded with beverages or when the door is open.
13. The SkyBox™ personal beverage vendor is not designed to dispense food items other than the designated beverage containers outlined within this guide.
14. Do not kick, pound, or push on the personal beverage vendor and/or stand, as this may cause the unit to tip or may damage the refrigeration system.
15. The SkyBox™ personal beverage vendor is designed to hold beverage containers within the designated beverage shelf on top of the main unit. Do not place additional items on top of the unit.
16. Do not attempt to place fingers, hands or arms through the beverage dispenser opening. If a beverage jams in the SkyBox™ personal beverage vendor, clear the jam using the instructions provided on page 13 of this guide.

SAVE THESE INSTRUCTIONS FOR FUTURE REFERENCE

Product Overview

SkyBox™ by Maytag Personal Beverage Vendor

– Refrigerated unit with front door. Opens for easy access to four beverage storage bins. Fully stocked, the unit will hold 64 12-ounce cans or 32 12-ounce bottles.

Front Display Graphic

– Packaged with the SkyBox™ personal beverage vendor.

Beverage Cards

– Your SkyBox™ personal beverage vendor comes with a set of commonly requested beverage cards that can be used to label the beverage selection buttons. To purchase additional beverage cards, visit www.skyboxbymaytag.com.

Display Panels

– Panels slide into the front and sides of the main unit. Your SkyBox™ personal beverage vendor comes with a standard front panel. To purchase customized, interchangeable front and side panels that feature your favorite sports team, visit www.skyboxbymaytag.com.

SkyBase™ Stand (optional) – A sturdy, level stand that is able to support approximately 200 pounds of weight and will safely accommodate your fully stocked personal beverage vendor. SkyBox™ personal beverage vendor securely mounts to the SkyBase™ stand. To purchase, visit your local retailer or www.skyboxbymaytag.com.



Assembly

Dimensions

Once assembled, the Skybox™ (main unit mounted on stand) has the following dimensions:

Installation Location

- SkyBox™ personal beverage vendor is designed for indoor use only with room temperatures between

Stand Assembly

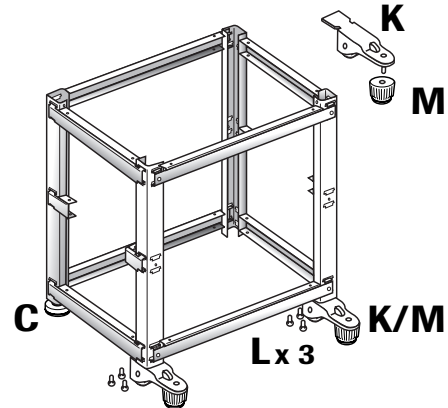
Carefully unpack the stand parts (see below) from the packaging.

Tools Needed:

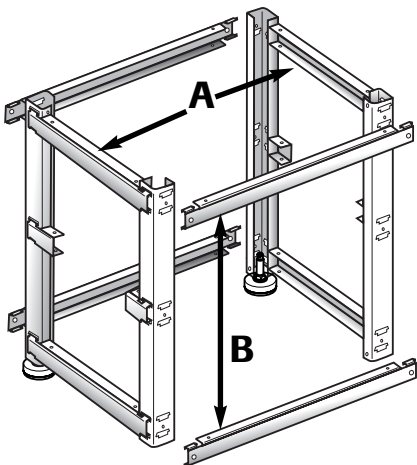
- #2 phillips head screw driver
- Level
- Adjustable Wrench

Parts	Quantity
A End Frame.....	2
B Long Support Rail.....	4
C Rear Leveling Legs (attached to end frames).....	2
D Shelves.....	2
E Pan-Head Screws.....	24
F Left Side Panel (with hinge holes).....	1
G Right Side Panel (with no hinge holes).....	1
H Back Panel.....	1
I Door.....	1
J Hinges (attached to the door).....	2
K Front Foot.....	2
L M5 x 16 Hex-Phillips Head Cap Screw - $\frac{5}{8}$ " (16mm) long...6	
M Front Foot Leveling Head.....	2
N Flat Head Screws.....	6
FF M5 x 20 Hex-Phillips Head Cap Screw - $\frac{3}{4}$ " (20mm) long...2	

STEP 2 – Level the Stand



STEP 1 – Assemble Frame of Stand

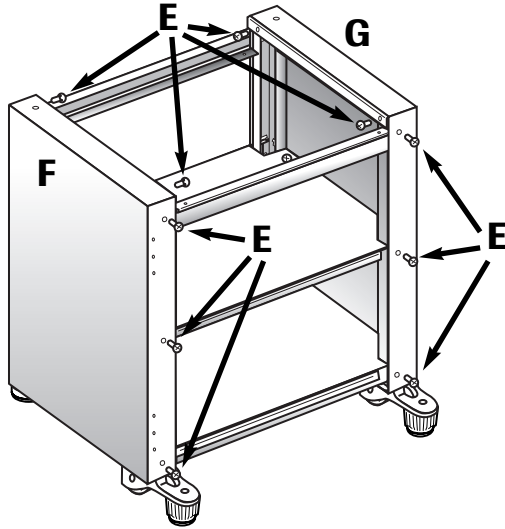


STEP 3 – Install Shelves

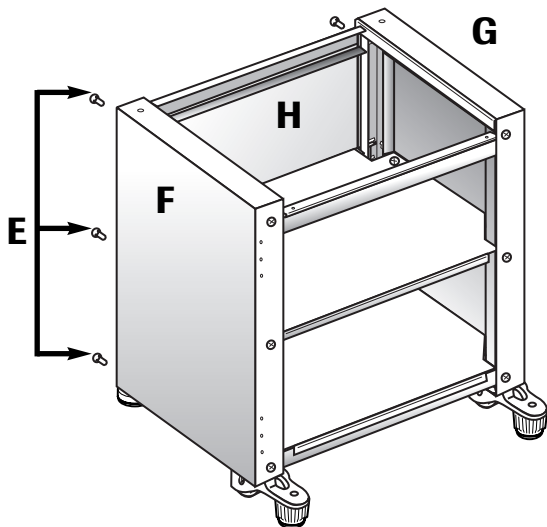


Assembly

STEP 4 – Assemble Exterior Panels

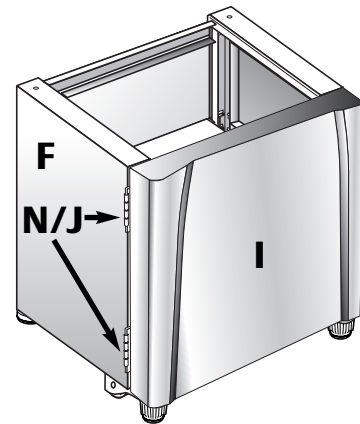


- Lower the top lip of the left side panel (**F**) over the top of end frame, aligning screw holes in side panel with holes in the corner post. Make sure panel is positioned to accommodate hinges for door on front left side. Attach panel by installing three pan-head screws (**E**) down the front of the unit and two pan-head screws (**E**) along the top rail.
- Position the right side panel (**G**) over frame of cabinet, aligning screw holes in side panel with holes in corner post. Attach panel by installing three pan-head screws (**E**) down the front of each side panel and two pan-head screws (**E**) along the top rail.



- Place back panel (**H**) over frame and side panels by aligning screw holes on the back of the unit. Attach back panel using six pan-head screws (**E**). During this process, the screws will also secure the back of the left and right side panels.

STEP 5 – Attach Door to SkyBase™ Stand



- Position door (**I**) on the front of the stand by aligning screw holes in the hinges (**J**) with hinge holes in the left side panel on the front of the stand.
- Attach door hinges (**J**) to the left side panel (**F**) using three flat-head screws (**N**) in each hinge.

Assembly

SkyBox™ Personal Beverage Vendor Main Assembly

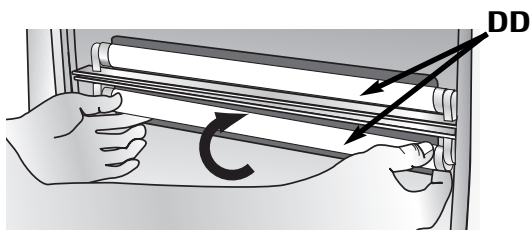
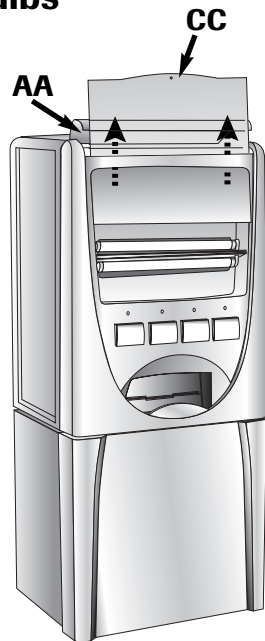
Tools Needed:

- Phillips head screw driver

Parts	Quantity
AA Graphic Access Cover	1
BB Front Display Graphic	1
CC Clear Panel	1
DD Light bulbs.....	2
EE Beverage Cards	4
FF Connecting Bolts: M5 x 20 Hex-Phillips Head Cap Screws - 3/4" (20 mm) long.....	2

STEP 1 – Install Light Bulbs

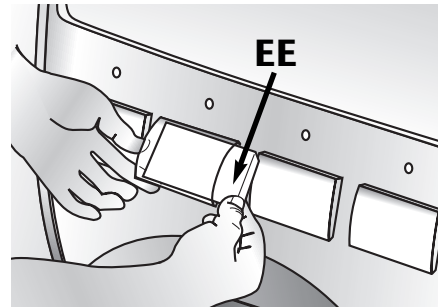
- Make sure SkyBox™ personal beverage vendor is OFF and the power cord is unplugged.
- Flip up the graphic access cover (**AA**), exposing a screw and the top edge of the front graphics panel.
- Remove the screw.
- Slide the front display graphic (**BB**-see page 3) up and out of the personal beverage vendor.
- Lift the clear panel (**CC**) up and out of the unit, exposing the sockets for the light bulbs.



- Remove the two 18" fluorescent light bulbs, type F15T8 15 watt (**DD**) from their packaging and install by sliding them into the light sockets and rotating away from you until they click into place.
- Replace the clear panel (**CC**) and slide the front display graphic (**BB**) back into place in front of the clear panel, behind the lower edge of the frame opening.

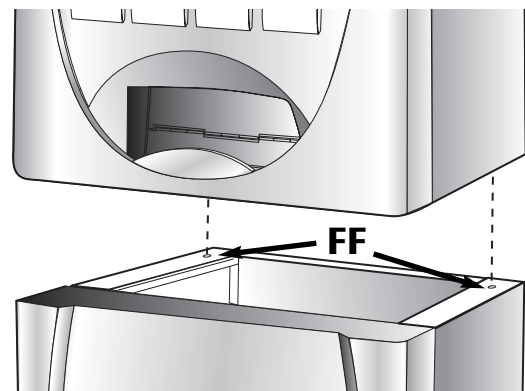
- Reinsert the screw.
- Flip the graphic access cover (**AA**) back down into place.

STEP 2 – Install Beverage Cards



- Bend beverage cards (**EE**) back at score line, so small fold is away from printed side.
- Gently pull out the bottom edge of the beverage buttons toward you and slide the beverage cards (**EE**) into the buttons, sandwiching them in the small slit between the clear plastic.

STEP 3 – Attach SkyBox™ Personal Beverage Vendor to SkyBase™ Stand



- Place the SkyBox™ personal beverage vendor on the SkyBase™ stand.
- **IMPORTANT:** Line up holes on bottom of SkyBox™ personal beverage vendor with holes in top of SkyBase™ stand. Carefully thread a connecting bolt (**FF**-see illustration) into each hole up through the inside of the stand and into the hole in the SkyBox™ personal beverage vendor. Secure firmly.

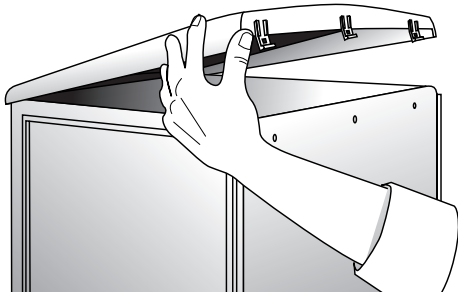
Assembly

Changing SkyBox™ Display Graphics

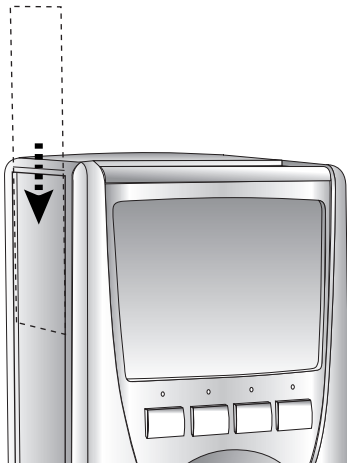
Your SkyBox™ personal beverage vendor comes with a standard front panel. To purchase customized, interchangeable front and side display graphics visit your local retailer or www.skyboxbymaytag.com.

- Make sure SkyBox™ personal beverage vendor is OFF and the power cord is unplugged.

STEP 1 – Install Side Display Graphics

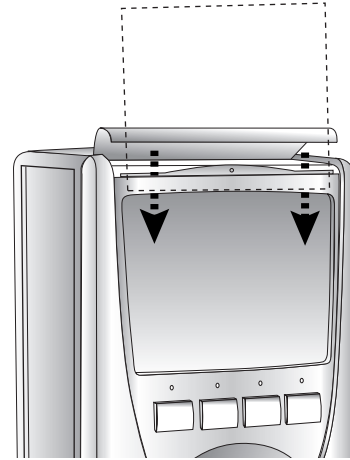


- Remove top of SkyBox™ personal beverage vendor by lifting up the tabs at rear of top panel. Pull top cover back slightly to remove from frame. Set aside.



- Slide one customized display graphic into each side of the SkyBox™ personal beverage vendor, tucking the panels in at the bottom within the grooves in the frame.
- Replace the top cover by sliding hooks into front and then pressing down tabs at the rear.

STEP 2 – Change Front Display Graphic



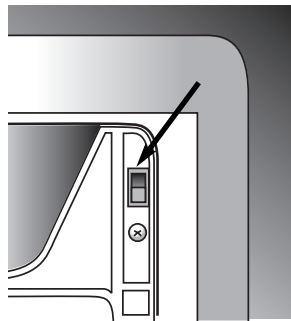
- Flip up the graphic access cover, exposing a screw and the top edge of the front display graphic.
- Remove the screw.
- Gently press hands onto front display graphic within frame and slide it up and out of the personal beverage vendor.
- Slide the new customized display graphic into the frame, making sure the panel slides behind the lower edge of the frame opening.
- Flip the display graphic access cover back down into place.

Operation

1. **ASSEMBLE** the stand and personal beverage vendor (see pages 4-9).
2. **LOAD** personal beverage vendor with beverages (see below).
3. **PLUG UNIT IN** to grounded 3-prong outlet.
4. **TURN LIGHTS** on by pressing switch on the right side of the personal beverage vendor above the keyhole.
5. **SET THERMOSTAT** dial found inside the main unit in the upper left hand corner by turning dial clockwise to desired temperature. The further you turn the dial, the colder the temperature.
6. **ALLOW TO COOL.** After the personal beverage vendor is initially plugged in, it will take approximately 3-4 hours to chill your beverages.
7. **SERVE** yourself and your guests by pressing the corresponding button for the beverage of your choice.

Child Lock-Out

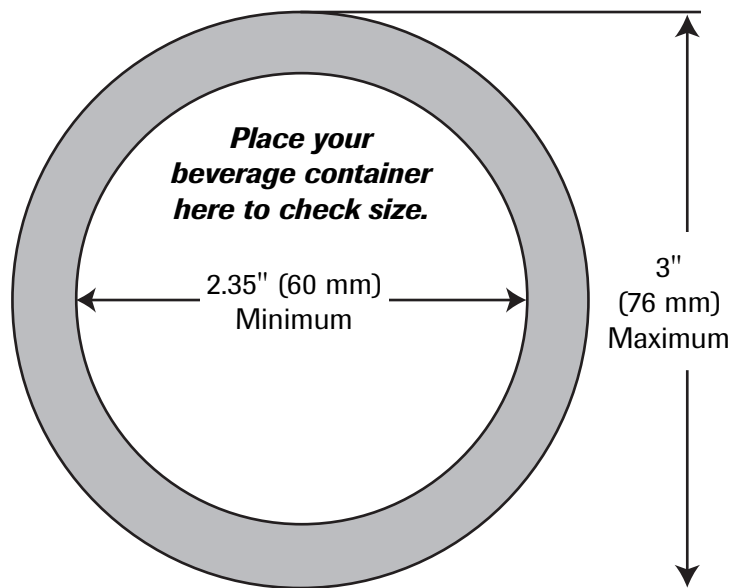
The SkyBox™ personal beverage vendor comes equipped with a Child Lock-Out feature. Simply open the door to the personal beverage vendor and lock each storage bin (or only those bins you wish to lock). To lock, slide down the small switch at the right end of the corresponding storage bin. To unlock the storage bin, slide the switch at the right end of that bin up.



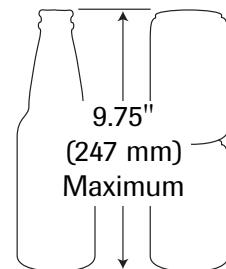
IMPORTANT: The Child Lock-Out controls which beverages are dispensed from the SkyBox™ personal beverage vendor. However, to completely secure access to beverages, be sure to use the key provided to **LOCK THE DOOR** to the main unit.

Loading SkyBox™ Personal Beverage Vendor With Beverages

Your SkyBox™ personal beverage vendor is designed to hold a total of approximately 64 cans, 32 bottles or a combination of both. When stocking your unit, keep the following points in mind:

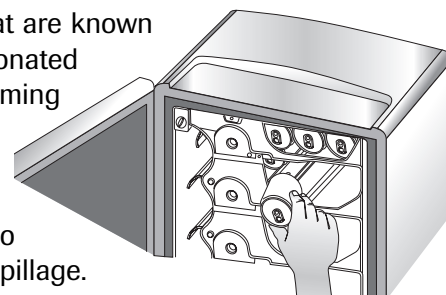


- Beverage containers should be a minimum of 2.35" (60 mm) and a maximum of 3" (76 mm) in diameter.
- Beverage containers should be round, since the dispensing system works in combination with gravity, and the containers need to be able to roll.
- Beverage containers should be no taller than the equivalent of 2 standard soda cans stacked on top of each other or 9.75" (247 mm).



Loading Tips:

- For smooth operation, **avoid mixing cans and bottles** within a single storage bin.
- For beverages that are known to be highly carbonated (such as high foaming beer), load beverage containers into the lower 2 bins to limit fizzing and spillage.



Operation

Beverage Options

The following beverage containers will fit in the main unit of your SkyBox™ personal beverage vendor.

- 12-ounce aluminum beverage cans
- 12-ounce glass beverage bottles
- 12-ounce plastic beer bottles
- 20-ounce plastic water and soda bottles

Each storage bin within the main unit is equipped to dispense bottles or cans.

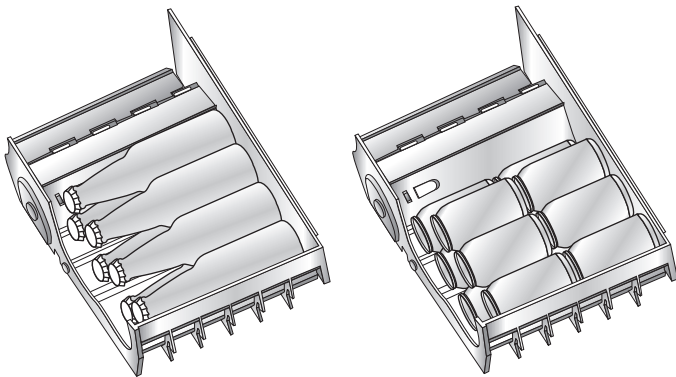
Highly Carbonated Beverages: Stock lower storage bins with highly carbonated beverages and make sure they are chilled before dispensing. To avoid overflow spills when experimenting with new, highly carbonated beverages, wait 10-15 seconds before opening dispensed beverage containers, and open carefully over the sink.

Capacity: The top storage bin will hold 10 cans or 5 bottles. The bottom 3 storage bins will each hold 18 cans or 9 bottles.

Important Steps For Loading

Please follow loading instructions. Improper loading may cause the “low-indicator light” above the beverage buttons to illuminate prematurely.

1. Make sure the main unit is OFF and the power cord is unplugged.
2. Open the front door to the main unit, exposing the four storage bins.
3. When loading the beverage containers, be sure to load with the **TOPS TOWARD THE FRONT** (i.e. long-neck bottles with necks towards the front).



4. **IMPORTANT** - Begin loading the left end of the storage bin, placing one beverage container on its side all the way to the back with the top facing forward. If loading cans, push the first one all the way to the back and then place one directly in front.
5. Next, move one space to the right and place another beverage container all the way to the back. If stocking cans, add another directly in front. (See illustration at bottom of page.) Continue until the storage bin is filled. Repeat with remaining storage bins.
6. Once the bins are filled, close the door, plug the power cord into a grounded outlet.
7. Insert corresponding beverage cards into the beverage selection buttons by carefully pulling the bottom edge of the buttons forward and up and slipping in the cards. The far left button corresponds to the top storage bin. The next button to the right matches the storage bin that is second from the top, etc.



Features



- 1. Personal Beverage Vendor/Main Unit** – The main refrigerated unit is equipped with four storage bins that combine to store up to 64 cans or 32 bottles. Available in either Pitch Black or Grid Iron Platinum, the main unit is designed to complement your customized display panels.
- 2. Beverage Shelf** – The top front area on the personal beverage vendor is designed to hold beverage containers.
- 3. SkyBase™ Stand** – Your SkyBase™ stand, available in Pitch Black or Grid Iron Platinum, safely supports your fully stocked personal beverage vendor. It also offers additional room temperature storage space and includes a shelf.
- 4. Power Cord** – The power cord is designed to operate on a normal 120VAC, 15 amp, 60 cycle line. For your safety, it is equipped with a grounded, 3-prong plug.
- 5. Customized Display Graphics** – Show off your true colors with interchangeable front and side graphics. Unlike your old fridge, the front graphic illuminates just like commercial vending machines. As each new sports season begins, change out your graphics with a new logo. To order new graphics, visit your local retailer or www.skyboxbymaytag.com.
- 6. Beverage Selection Buttons** – Insert beverage cards for your favorite beverages, and press the buttons to serve yourself and your guests. Unlike industrial vending machines, the SkyBox™ personal beverage vendor operates without coins or dollar bills.
- 7. Interchangeable Beverage Cards** – Your SkyBox™ personal beverage vendor is packaged with 20 beverage cards featuring the top beverages. The beverage buttons carefully pull forward and up, allowing you to insert any card you choose. Order additional brands or replacement cards online at www.skyboxbymaytag.com.
- 8. Auto-off Sensor** – For safety purposes, any time the door to the refrigerated main unit is opened, the unit will not vend.
- 9. Low-Indicator Light** – Avoid being caught with warm drinks. When your beverage bins get low (3 bottles or 6 cans remaining), the low-indicator light will illuminate above the beverage button to signify that it's time to restock.
- 10. Anti-Fizzing** – The specially designed SkyBox™ personal beverage vendor beverage dispenser smoothly delivers your beverages with little shaking or jostling. That means less foaming when you open your cans or bottles. Be aware that warm beverages are more likely to fizz. Cool beverages prior to dispensing. Refer to pages 10-11 for tips on loading highly carbonated beverages.
- 11. Jam Detector** – In the unlikely event that your unit experiences a jam, the low-indicator lights will flash to identify the problem. Turn the unit off and unplug the power cord before opening the unit to inspect for jams. Refer to page 13 for proper steps to prevent jams.
- 12. Child Lock-Out** – For the safety of children or to control curious pets, your SkyBox™ personal beverage vendor is equipped with a child lock-out feature. Lock individual beverage options or lock them all with an easy flip of a switch. See page 10 for details.
- 13. Main Unit Door Keylock** – Store your beverages securely by locking the door to your main unit using the keyhole on the right side of the main unit.

Maintenance

Cleaning

⚠ WARNING

To avoid electrical shock, which can cause severe personal injury or death, unplug the refrigerated personal beverage vendor unit before cleaning.

The modular design of your SkyBox™ personal beverage vendor allows for easy cleaning. Most spills can be cleaned up with a damp cloth or sponge. If using a household cleaner, choose a mild, non-abrasive cleaner that will not scratch or dull the surface of your unit. Do not allow beverage spills to stand; clean up right away.

To avoid spills, do not store previously opened or partially consumed bottles/cans in the SkyBox™ personal beverage vendor.

Removing The Door

1. Make sure the main unit is OFF and the power cord is unplugged.
2. Unplug the door wire harness from the lower right corner of the door and the lower left corner of the personal beverage vendor.
3. Open the door wider than a 90° angle.
4. Lift the door up, releasing the door hinges from the hinge posts.

Clearing Jams

If a jam occurs, the low-indicator lights will flash to indicate the problem. If a single light is flashing, this indicates that the jam is located within the corresponding storage bin. If all lights are flashing, this indicates the jam is most likely located in the dispensing pathway. Most jams result from improper loading, so please refer to pages 10-11 for proper loading instructions.

To clear a jam open the SkyBox™ personal beverage vendor door and inspect the dispensing pathway and the storage bins. Remove or readjust the location of the beverage containers.

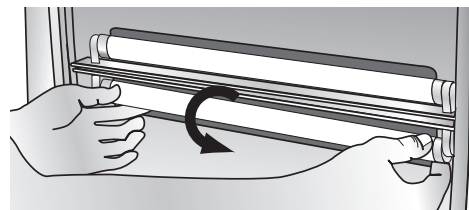
Opening the door to clear the jam will eliminate the blinking lights.

Consider the following checklist.

- Have you loaded the beverage containers on their sides **all the way to the back** with the **tops facing forward**?
- Are your beverage containers no more than 3" in diameter?
- Are you using cans or bottles of odd shapes or sizes? If so, loading your SkyBox™ personal beverage vendor with a single row of that product may help to reduce jams.
- Is your personal beverage vendor crowded beyond its capacity?
- Has the personal beverage vendor fully cooled down? Some jams are more likely to occur when the vendor is first plugged in and has not fully cooled.

Replacing Display Panel Light Bulbs

1. Make sure SkyBox™ personal beverage vendor is OFF and the power cord is unplugged.
2. Flip up the graphic access cover, exposing a screw and the top edge of the front display panel.
3. Remove the screw.
4. Slide the front display graphic up and out of the personal beverage vendor.
5. Lift the clear panel up and out of the unit, exposing the sockets for the light bulbs.
6. Remove bulbs by rotating the bulbs toward you.



7. Install new 18" fluorescent bulbs type F15T8, 15 watt by sliding them into the light sockets and rotating the bulbs away from you until they click into place.
8. Replace the clear panel and slide the front display graphic back into place in front of the clear panel, behind the lower edge of the frame opening.
9. Reinsert the screw.
10. Flip the graphic access cover back down into place.

Before You Call For Service

PROBLEM	POSSIBLE SOLUTION
<p>The low-indicator lights are on, but the main unit is not low on beverages.</p>	<p>The main unit may be improperly loaded, which will cause the low-indicator light to illuminate prematurely. For example, if cans or bottles are not pushed all the way to the back of the unit, this will cause the low-indicator light to illuminate. Refer to proper loading instructions on pages 10-11.</p>
<p>The low-indicator lights are flashing rapidly.</p>	<p>The main unit may be jammed, and the light is indicating the problem. Refer to page 13 to clear the jam. To eliminate the blinking lights, simply open and close the personal beverage vendor door.</p>
<p>No beverages dispense when beverage button is pushed.</p>	<p>Make sure unit is loaded with beverages. Beverages should be loaded on their sides, all the way to the back, with the tops facing towards the front.</p>
	<p>The Child Lock-out feature may be activated. Open the door to the main unit and make sure the lock at the right end of the each storage bin is open (upright position).</p>
	<p>Check for possible jams. See page 13.</p>
	<p>NEVER kick, pound or push on the beverage center to attempt to dispense beverages.</p>
<p>Beverage center is not cooling.</p>	<p>Make sure you are using the main unit rather than the stand for refrigerated storage. The stand is not refrigerated.</p>
	<p>Check to see if the unit is plugged in to a grounded, 3-prong outlet.</p>
	<p>Check thermostat dial in upper lefthand corner of SkyBox™ personal beverage vendor, and turn clockwise all the way to the right.</p>
<p>Beverage container jams.</p>	<p>See page 13 for suggestions.</p>

Warranty/ Customer Service

All SkyBox™ by Maytag™ personal beverage vendors are warranted for 1 year from date of purchase against defects in material and workmanship. During this period, any Maytag product that, upon inspection by Maytag, is proved defective will be repaired or replaced, at Maytag's option, without charge to the customer.

This warranty does not apply to any defect arising from a buyer's or user's misuse of the product, negligence, failure to follow Maytag's instructions, use on current or voltage other than that stamped on the product, or alteration or repair not authorized by Maytag. If a replacement product is sent, it will carry the remaining warranty of the original product. Repair or disassembly by anyone other than a Maytag authorized service center will void the warranty.

THE WARRANTIES SET FORTH HEREIN ARE EXCLUSIVE AND NO OTHER WARRANTIES, EXPRESS OR IMPLIED, INCLUDING BUT NOT LIMITED TO ANY WARRANTY OF MERCHANTABILITY OR FITNESS FOR A PARTICULAR PURPOSE OR USE, ARE MADE BY MAYTAG OR ARE AUTHORIZED TO BE MADE WITH RESPECT TO THE PRODUCT.

What Is Not Covered By This Warranty:

1. Warranty is void if the original serial numbers have been removed, altered or cannot be readily determined.
2. Products purchased for commercial or industrial use.
3. Consequential or incidental damages sustained by any person as a result of any breach of these warranties. Some states do not allow the exclusion or limitation of consequential or incidental damages, so the above exclusion may not apply.

Contacting Customer Service:

1. Call MAYTAG Customer Service at 1-877-366-5426 U.S.A. or 1-800-688-2002 Canada. They may be able to assist you with troubleshooting product difficulties. U.S. Customers using TTY for deaf, hearing impaired or speech impaired, call 1-800-688-2080 (Mon.-Fri., 8 a.m.-8 p.m. Eastern Time).
2. Write to MAYTAG, Attn. CAIR® Center, P.O. Box 2370, Cleveland, TN 37320-2370. When writing or calling about a service problem, please include the following information:
 - a. Your name, address and telephone number;
 - b. Model and serial number of the product (the model and serial numbers are on a data label on the back of the vendor);
 - c. A clear description of the problem you are having;
 - d. Proof of purchase (sales receipt).
3. User guides, additional beverage cards, as well as customized side and front panels, are available on-line at www.skyboxbymaytag.com.

Distributeur personnel de boissons SkyBox^{MC} de Maytag^{MC}

Modèle n° MBV1976AA

Vous avez le droit de vous vanter. Félicitations pour l'achat du distributeur personnel de boissons SkyBox^{MC} de Maytag^{MC}. Maintenant, passez à l'assemblage de votre distributeur personnel de boissons SkyBox^{MC}, remplissez-le de vos bouteilles et canettes favorites, et appelez vos amis. Ne soyez pas surpris de les voir passer plus de temps avec votre distributeur personnel de boissons SkyBox^{MC} qu'à regarder les reproductions instantanées!

Table des matières

Instructions de sécurité importantes	17-18
Aperçu sur le produit	19
Montage	20-25
Fonctionnement	26-27
Caractéristiques	28
Entretien	29
Avant de contacter un réparateur	30
Garantie/Service à la clientèle	31
Espagnol	32

Instructions de sécurité importantes

Mesures de sécurité importantes

⚠ AVERTISSEMENT

Pour réduire le risque d'incendie, de décharge électrique, de blessures graves ou mortelles lors de l'utilisation de cet appareil de réfrigération et de son support, observez ces précautions fondamentales, y compris ce qui suit :

1. Lisez toutes les instructions.
2. Pour éviter les blessures, les enfants ne doivent pas escalader cet appareil et son support, ni s'y suspendre ou s'y tenir debout.
3. Utilisez l'appareil et son support uniquement pour leur application prévue.
4. Observez tous les codes et règlements locaux.
5. Pour éviter un risque de décharge électrique, ne branchez jamais l'appareil dans une prise qui n'a pas été correctement mise à la terre, conformément aux prescriptions des codes national et local des installations électriques. Voyez ci-après l'avertissement et les instructions de liaison à la terre.
6. N'utilisez pas un adaptateur à 2 broches, ni de cordon prolongateur ou de barre d'alimentation à prises multiples.
7. Débranchez le cordon d'alimentation de l'appareil avant d'y mettre des canettes et des bouteilles, de le nettoyer, d'y faire de l'entretien ou de remplacer une ampoule. Débranchez le cordon en saisissant la fiche et non pas le cordon lui-même.
8. Réparez ou remplacez le cordon d'alimentation immédiatement s'il a été endommagé ou détérioré, ou si la fiche ne s'adapte pas parfaitement à la prise de courant.
9. Pour éviter un incendie, votre appareil ne doit pas être utilisé dans un endroit où se trouve de l'essence ou d'autres liquides et vapeurs inflammables.
10. Maintenez votre distributeur personnel de boissons SkyBox^{MC} en bon état. S'il est tombé ou s'il a subi des chocs, le distributeur personnel de boissons et/ou son support SkyBase^{MC} peuvent être endommagés et par conséquent, mal fonctionner ou fuir. En cas de dommage, contactez un technicien qualifié pour les faire réparer.
11. Lisez et suivez toujours les instructions d'installation et de fonctionnement du fabricant, pour les articles rangés dans cet appareil. Placez les canettes et les bouteilles dans le distributeur, comme il est décrit dans ce guide.
12. Ne soulevez pas et ne déplacez pas le distributeur personnel de boissons et/ou le support SkyBase^{MC} quand le distributeur est chargé ou si la porte est ouverte.
13. Le distributeur personnel de boissons SkyBox^{MC} n'est pas conçu pour la distribution d'articles alimentaires autres que des contenants de boisson spécifiés dans ce guide.
14. Ne donnez pas des coups de pied au distributeur et/ou à son support SkyBox^{MC}, ne le frappez pas ou ne le secouez pas, car cela pourrait renverser l'appareil et endommager le système de réfrigération.
15. Le distributeur personnel de boissons SkyBox^{MC} est conçu pour recevoir des contenants de boisson sur la tablette désignée, à la partie supérieure de l'appareil. Ne mettez pas d'autres articles sur l'appareil.
16. N'essayez pas de mettre les doigts, les mains ou les bras, dans l'ouverture du distributeur de boissons. Si un contenant se coince dans le distributeur personnel de boissons SkyBox^{MC}, dégagez-le en suivant les instructions fournies à la page 29 de ce guide.

**CONSERVEZ CES INSTRUCTIONS POUR VOUS
Y REPORTER ULTÉRIEUREMENT**

Aperçu sur le produit

Distributeur personnel de boissons

SkyBox^{MC} de Maytag

Appareil de réfrigération avec porte avant. S'ouvre pour fournir un accès facile aux quatre bacs. Complètement rempli, cet appareil contient 64 canettes de 325 mL (12 oz) ou 32 bouteilles de 325 mL (12 oz).

Graphique d'affichage avant –

Fourni avec le distributeur personnel de boissons SkyBox^{MC}.

Cartes de boissons –

Votre distributeur personnel de boissons SkyBox^{MC} est livré avec un jeu de cartes de boissons les plus demandées, qui peuvent être utilisées comme étiquettes pour les boutons de sélection de boissons. Pour acheter des cartes de boissons supplémentaires, consultez : www.skyboxbymaytag.com.

Panneaux d'affichage –

Les panneaux coulissent dans les parties avant et latérales de l'appareil. Votre distributeur personnel de boissons SkyBox^{MC} est fourni avec un panneau frontal standard. Pour acquérir des panneaux personnalisés interchangeables pour le devant et les côtés, affichant vos équipes favorites, consultez : www.skyboxbymaytag.com.

Support SkyBase^{MC} (en option) – Un support robuste et stable est prévu pour un poids d'environ 91 kg (200 lb), soit celui du distributeur personnel de boissons complètement rempli. Le distributeur personnel de boissons SkyBox^{MC} se fixe d'une façon sécuritaire au support SkyBase^{MC}. Pour l'acquérir, consultez votre détaillant local ou : www.skyboxbymaytag.com.

851 mm
(33,5 po)



MC , avec son support t, pèse

MC

Pour éviter de vous blesser gravement, ne soulevez pas et ne déplacez pas le distributeur personnel de boissons SkyBox et/ou le support t SkyBase quand il est rempli de boissons ou quand la porte est ouverte.

Montage

Assemblage du support

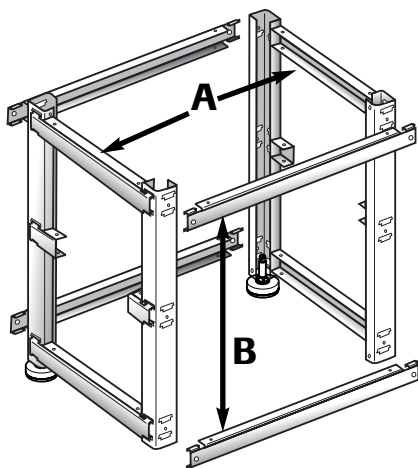
Déballer soigneusement les pièces du support (voyez ci-dessous) du cartonnage.

Outils nécessaires:

- Tournevis Phillips n° 2
- Niveau
- Clé à molette

Pièces	Quantité
A Bâti d'extrémité	2
B Traverse longue.....	4
C Pied de mise à niveau arrière (installés sur le bâti d'extrémité).....	2
D Tablettes	2
E Vis à tête cylindrique large	24
F Panneau gauche (avec trous de charnière).....	1
G Panneau droit (sans trous de charnière).....	1
H Panneau arrière	1
I Porte.....	1
J Charnières (installées sur la porte).....	2
K Pied avant	2
L Vis d'assemblage à tête hex. cruciforme M5 x 16, de 16 mm (5/8 po) de longueur.....	6
M Tête de mise à niveau de pied avant.....	2
N Vis à tête plate	6
FF Vis d'assemblage à tête hex. cruciforme M5 x 20, de 20 mm (3/4 po) de longueur.....	2

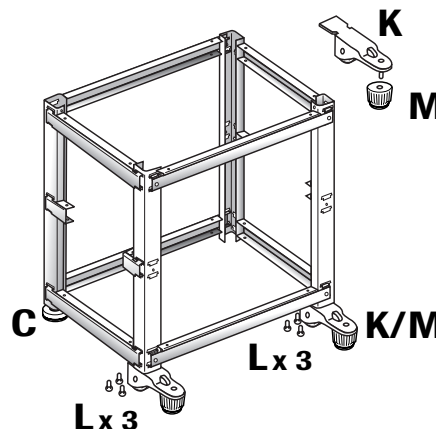
ÉTAPE 1 – Assemblage du cadre du support



- Raccordez une longue traverse (**B**) à l'un des bâtis d'extrémité (**A**) en insérant les languettes de la traverse dans les fentes du bâti, et en appuyant sur la traverse. Les traverses se verrouillent temporairement en position quand elles sont poussées vers le bas.

- Raccordez l'autre extrémité de la traverse au deuxième bâti (**A**) en insérant les languettes de la traverse dans les fentes du bâti, et en appuyant sur la traverse.
- Répétez cette opération pour les trois autres traverses, pour obtenir le cadre du support. **N'INSTALLEZ PAS DE VIS (E) AU COURS DE CETTE OPÉRATION!**

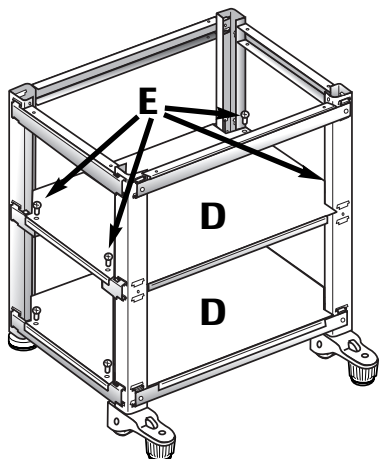
ÉTAPE 2 – Mise à niveau du support



- Installez les deux pieds avant (**K**) au bas des deux montants avec trois vis d'assemblage à tête hex. cruciforme M5 x 16, de 5/8 po (16 mm) de longueur (**L**) pour chaque pied. **REMARQUE** : le boulon fileté du pied avant doit se prolonger au-delà du bâti, comme l'illustre la figure.
- Installez la tête de mise à niveau de pied avant (**M**) sur le boulon fileté de chacun des pieds avant (**K**).
- Placez soigneusement le support partiellement assemblé sur le sol à son endroit définitif. Abaissez les têtes de mise à niveau de pied avant (**M**), afin que la roulette de pied avant touche à peine le sol. En utilisant un niveau et une clé à molette, ajustez les deux pieds de mise à niveau arrière (**C**) pour que l'appareil se trouve bien d'aplomb.

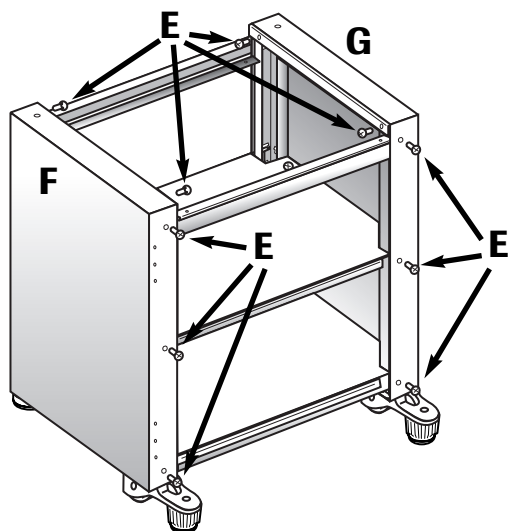
Montage

ÉTAPE 3 – Installation des tablettes



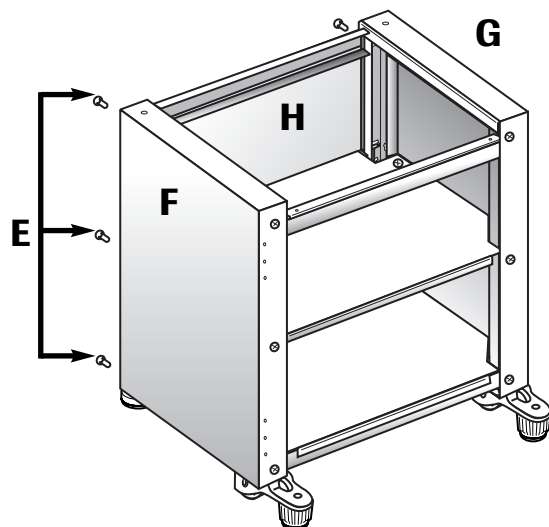
- Mettez la tablette inférieure (**D**) sur les traverses inférieures. Alignez les trous des vis et installez les quatre vis à tête cylindrique large (**E**).
- Répétez cette opération pour la tablette centrale (**D**), qui se monte sur les quatre languettes soudées aux bâtis (**A**).

ÉTAPE 4 – Assemblage des panneaux extérieurs



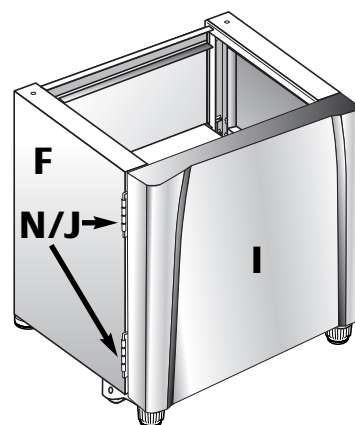
- Abaissez le rebord supérieur du panneau gauche (**F**) sur le haut du bâti, en alignant les trous à vis du panneau avec les trous du montant. Assurez-vous que le panneau est disposé, afin de recevoir les charnières de la porte sur le côté avant gauche. Fixez le panneau en mettant trois vis à tête cylindrique large (**E**) à l'avant de l'appareil et deux vis à tête cylindrique large (**E**) sur la traverse supérieure.

- Positionnez le panneau droit (**G**) sur le cadre, en alignant les trous à vis du panneau avec les trous du montant. Fixez le panneau en mettant trois vis à tête cylindrique large (**E**) à l'avant de l'appareil et deux vis à tête cylindrique large (**E**) sur la traverse supérieure.



- Installez le panneau arrière (**H**) sur le cadre et les panneaux latéraux, en alignant les trous à vis du panneau arrière avec ceux du support. Fixez le panneau arrière avec six vis à tête cylindrique large (**E**). Lors de cette opération, les vis doivent également fixer l'arrière des panneaux latéraux droit et gauche.

ÉTAPE 5 – Installation de la porte sur le support SkyBase^{MC}



- Positionnez la porte (**I**) sur le devant du support, en alignant les trous à vis des charnières (**J**) avec les trous à charnières du panneau latéral gauche, à l'avant du support.
- Installez les charnières de porte (**J**) au panneau gauche (**F**) avec trois vis à tête plate (**N**) sur chaque charnière.

Montage

Montage de la porte et du dessus du distributeur personnel de boissons SkyBox^{MC} (certains cartonnages seulement)

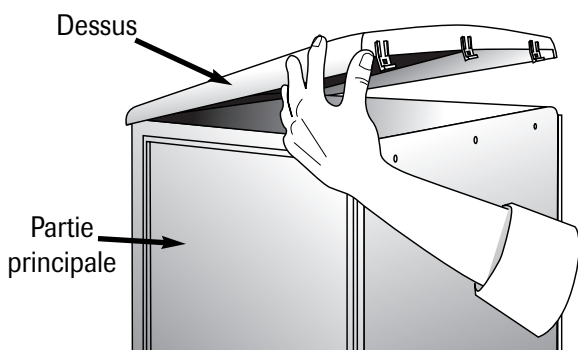
Déballiez soigneusement le distributeur personnel de boissons SkyBox^{MC} du cartonnage.

Au besoin, suivez ces instructions pour fixer la porte à la partie principale du distributeur SkyBox^{MC}.

Pièces	Quantité
Dessus	1
Partie principale.....	1
Porte.....	1
Faisceau de la porte	1

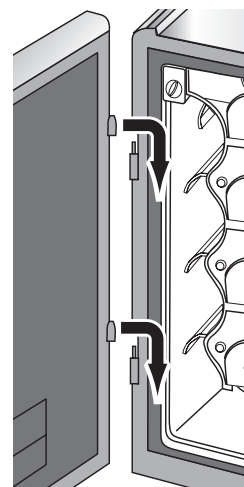
ÉTAPE 1 – Fixation du dessus

- Faites glisser les crochets à l'avant du dessus, dans les fentes à l'avant de la partie principale.
- Appuyez sur le dessus, à l'arrière, afin que les trois languettes s'enclenchent bien à l'arrière de la partie principale.



ÉTAPE 2 – Fixation de la porte

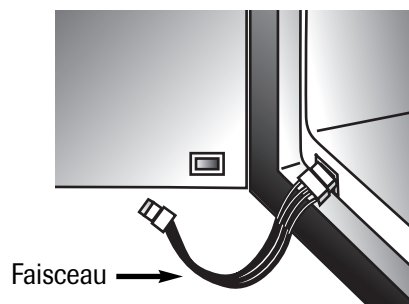
- Alignez les charnières de la porte aux axes des charnières de la partie principale. Tenez la porte ouverte (à un angle supérieur à 90°) de la partie principale. (**Remarque** : Pour une plus grande sécurité, la porte ne peut pas être installée, ni être enlevée à un angle de 90°.)
- Faites glisser les charnières de la porte sur l'axe des charnières de l'appareil. La porte descendra facilement. **NE FORCEZ PAS.**



ÉTAPE 3 – Fixation du faisceau de la porte

⚠ AVERTISSEMENT

Confirmez que le cordon électrique du distributeur personnel de boissons SkyBox^{MC} **N'EST PAS** encore branché lors du raccordement du faisceau de la porte.



- Fixez une extrémité du faisceau de la porte, en la branchant dans le coin inférieur gauche de l'ouverture de la partie principale, et ce en alignant la fiche dotée d'une petite languette sur le dessus avec la rainure de la prise. **Remarque** : La fiche ne s'adapte que d'une seule manière. **NE FORCEZ PAS.**
- Installez l'autre extrémité du faisceau de la porte dans la prise, au coin inférieur droit de la porte, en alignant la fiche dotée d'une petite languette sur le dessus avec la rainure de la prise. **Remarque** : La fiche ne s'adapte que d'une seule manière. **NE FORCEZ PAS.**

Montage

Montage de la partie principale du distributeur personnel de boissons SkyBox^{MC}

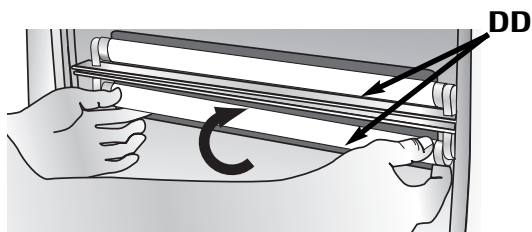
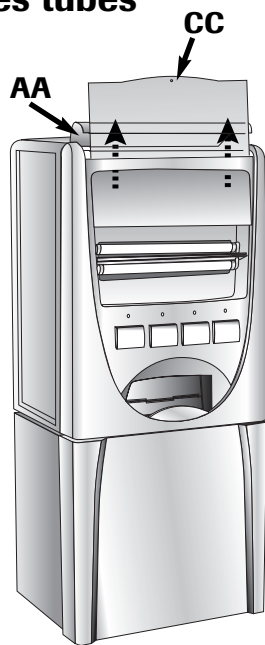
Outil nécessaire :

- Tournevis Phillips

Pièces	Quantité
AA Couvercle d'accès - graphique.....	1
BB Graphique d'affichage avant.....	1
CC Panneau transparent.....	1
DD Tube fluorescent.....	2
EE Carte de boissons.....	4
FF Boulons de fixation : Vis d'assemblage à tête hex., cruciforme M5 x 20, de 3/4 po (20 mm) de longueur.....	2

ÉTAPE 1 – Installation des tubes fluorescents

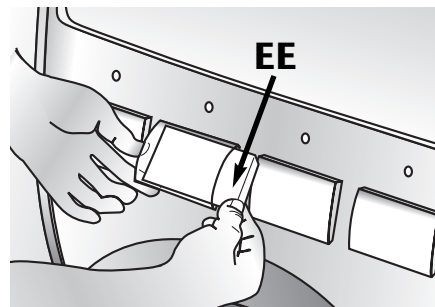
- Assurez-vous que le distributeur personnel de boissons SkyBox^{MC} est à l'arrêt et débranché.
- Renversez le couvercle d'accès - graphique (**AA**), pour exposer une vis et le bord supérieur du panneau avant avec graphiques.
- Enlevez la vis.
- Faites coulisser le graphique d'affichage avant (**BB** - page 19) pour le relever et le sortir du distributeur.
- Relevez le panneau transparent (**CC**) et sortez-le pour exposer les douilles des tubes fluorescents.



- Retirez les deux tubes fluorescents de 45,7 cm (18 po) (**DD**) de type F15T8, 15 watts, de leur emballage et installez-les en les faisant glisser dans les douilles, et en les tournant comme il est indiqué, jusqu'à ce qu'ils se trouvent bien enclenchés.

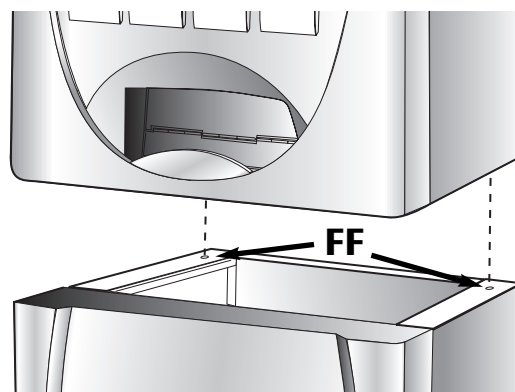
- Remettez le panneau transparent (**CC**) et remettez le graphique d'affichage avant (**BB**) devant le panneau transparent, derrière le bord arrière de l'ouverture.
- Remettez la vis.
- Rabaissez le couvercle d'accès - graphique (**AA**).

ÉTAPE 2 – Installation des cartes de boisson



- Cintrez les cartes de boissons (**EE**) au niveau de la pliure, afin que le petit rabat s'éloigne du côté imprimé.
- Tirez doucement sur le bord inférieur des boutons, et glissez les cartes de boisson (**EE**) dans les boutons, une petite fente est prévue à cet effet.

ÉTAPE 3 – Fixation du distributeur personnel de boissons SkyBox^{MC} au support SkyBase^{MC}



- Mettez le distributeur personnel de boissons SkyBox^{MC} sur le support SkyBase^{MC}.
- **IMPORTANT** : Alignez les trous au bas du distributeur personnel de boissons SkyBox^{MC} avec les trous du haut du support SkyBase^{MC}. Vissez soigneusement un boulon (**FF** - illustration) dans chacun des trous, à partir de l'intérieur du support et dans les trous du distributeur personnel de boissons SkyBox^{MC}. Serrez-les bien.

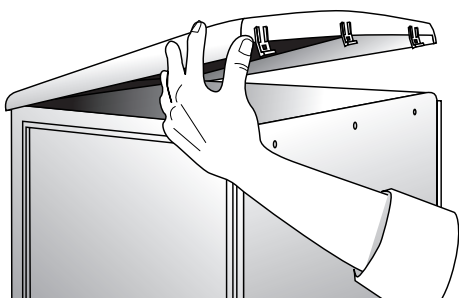
Montage

Changement des graphiques d'affichage SkyBox^{MC}

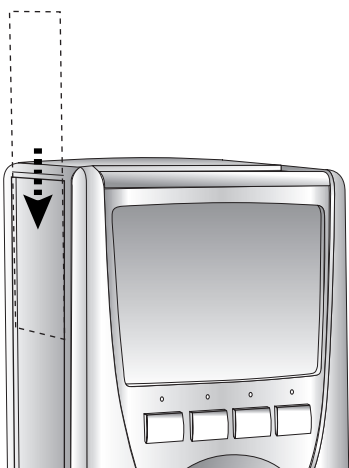
Votre distributeur personnel de boissons SkyBox^{MC} est fourni avec un panneau avant standard. Pour acheter des graphiques d'affichage personnalisés pour le devant et les côtés, consultez votre détaillant local ou : www.skyboxbymaytag.com.

- Assurez-vous que le distributeur personnel de boissons SkyBox^{MC} est à l'ARRÊT et débranché.

ÉTAPE 1 – Installation des graphiques d'affichage latéraux

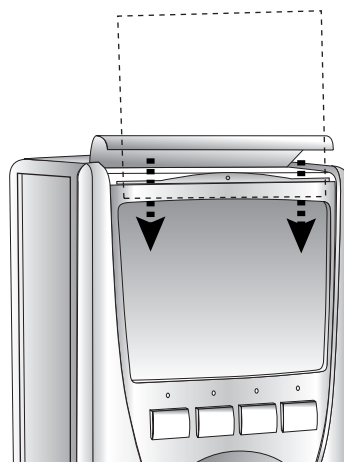


- Retirez le dessus du distributeur personnel de boissons SkyBox^{MC} en soulevant les languettes à l'arrière du dessus. Tirez le dessus légèrement vers l'arrière pour le déloger. Mettez-le de côté.



- Faites glisser un graphique d'affichage personnalisé sur chacun des côtés du distributeur SkyBox^{MC}, en introduisant les panneaux à la partie inférieure, dans les rainures du cadre.
- Remettez le dessus, en glissant les crochets dans la partie avant, puis en appuyant sur les languettes à l'arrière.

ÉTAPE 2 – Changement des graphiques d'affichage avant



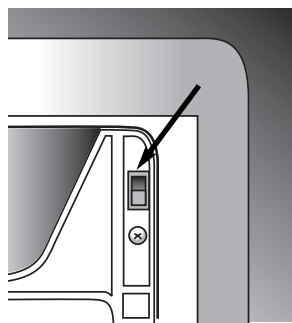
- Relevez le couvercle d'accès – graphique, pour exposer une vis et le bord supérieur du graphique d'affichage avant.
- Retirez la vis.
- Appuyez doucement, avec les mains, sur le graphique d'affichage avant à l'intérieur du cadre, et en le faisant glisser vers le haut pour le sortir du distributeur.
- Faites coulisser le nouveau graphique d'affichage personnalisé dans le cadre, en vous assurant que le panneau glisse derrière le bord inférieur de l'ouverture du cadre.
- Rabattez le couvercle d'accès – graphique pour le remettre en place.

Fonctionnement

1. **ASSEMBLEZ** le support et le distributeur personnel de boissons (pages 20-25).
2. **CHARGEZ** le distributeur personnel en boissons (ci-dessous).
3. **BRANCHEZ L'APPAREIL** sur une prise à trois alvéoles, mise à la terre.
4. **ALLUMEZ LES LUMIÈRES** en appuyant sur l'interrupteur, à la droite du distributeur, au-dessus du trou de serrure.
5. **RÉGLEZ LE THERMOSTAT** en tournant dans le sens horaire la molette située à l'intérieur de la partie principale, dans le coin supérieur gauche, jusqu'à obtention de la température voulue. Plus vous tournez la molette, plus la température sera basse.
6. **ATTENDEZ QU'IL SE REFROIDISSE.** Une fois le distributeur branché pour la première fois, il faut environ 3 à 4 heures pour refroidir vos boissons.
7. **SERVEZ**-vous ou servez vos invités, en appuyant sur le bouton correspondant à la boisson désirée.

Verrouillage pour enfants

Le distributeur personnel de boissons SkyBox^{MC} est fourni avec une caractéristique de verrouillage pour enfants. Il suffit d'ouvrir la porte du distributeur, et de verrouiller chacun des bacs (ou seulement les bacs que vous désirez verrouiller). Pour verrouiller un bac, abaissez le curseur à droite du bac en question. Pour déverrouiller le bac, relevez le curseur qui se trouve à l'extrémité droite du bac.

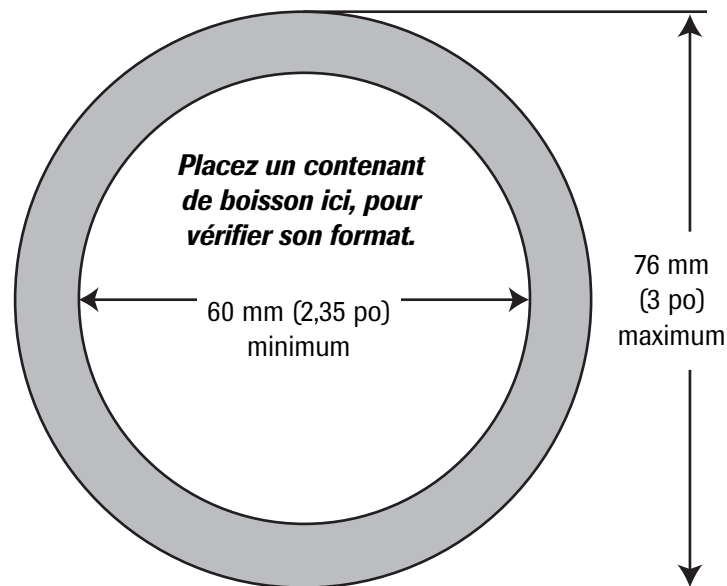


IMPORTANT : Le verrouillage pour enfants permet de contrôler la distribution de boissons placées dans le distributeur SkyBox^{MC}. Cependant, si vous voulez interdire l'accès total aux boissons, utilisez la clé fournie pour **VERROUILLER LA PORTE** de la partie principale.

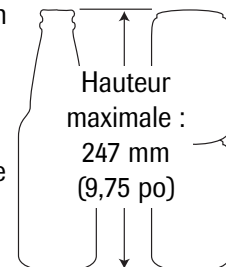
Chargement en boissons du distributeur personnel SkyBox^{MC}

Le distributeur personnel de boissons SkyBox^{MC} est conçu pour un total d'environ 64 canettes, 32 bouteilles ou une combinaison des deux.

Tenez compte des points suivants lors du remplissage du distributeur :

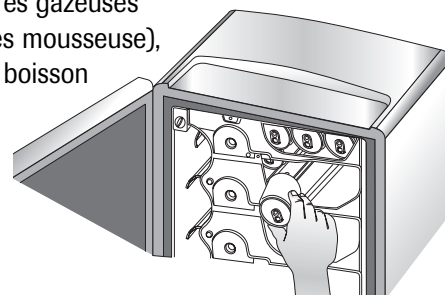


- Le diamètre des contenants de boisson doit être d'un minimum de 60 mm (2,35 po) et d'un maximum de 76 mm (3 po).
- Les contenants de boisson doivent être ronds, puisque le mécanisme de distribution fonctionne par gravité, et que les contenants doivent pouvoir rouler.
- La hauteur des contenants de boisson ne doit pas être supérieure à celle de 2 canettes de boisson gazeuse standard superposées, ou à 247 mm (9,75 po).



Conseils de chargement :

- Pour obtenir un fonctionnement en douceur, **évit**ez de **mélanger dans le même bac, canettes et bouteilles.**
- Pour les boissons très gazeuses (comme la bière très mousseuse), chargez ce type de boisson dans les deux bacs inférieurs, pour limiter la formation de bulles et les débordements.



Fonctionnement

Options de boissons

Les contenants suivants s'adaptent dans la partie principale du distributeur personnel de boissons SkyBox^{MC} :

- Canettes en aluminium de 355 mL (12 oz)
- Bouteilles en verre de 355 mL (12 oz)
- Bouteilles de bière, en plastique, de 355 mL (12 oz)
- Bouteilles de boisson gazeuse et d'eau, en plastique, de 591 mL (20 oz)

Chaque bac de la partie principale est prévu pour la distribution de bouteilles ou de canettes.

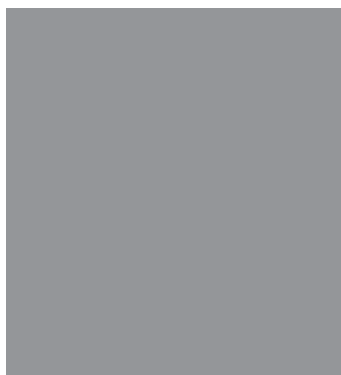
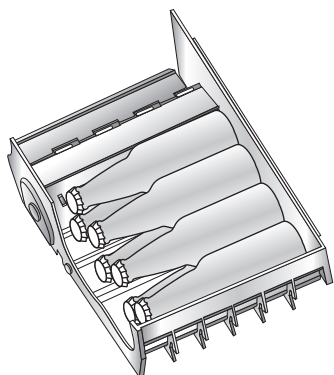
Boissons très gazeuses : Mettez les boissons très gazeuses dans les bacs inférieurs, et assurez-vous qu'elles sont refroidies avant de les distribuer. Afin d'éviter les débordements en ouvrant de nouvelles boissons très gazeuses, attendez 10 à 15 secondes avant de les ouvrir, et ouvrez-les soigneusement, au-dessus d'un évier.

Contenance : Le bac supérieur est prévu pour 10 canettes ou 5 bouteilles. Les 3 bacs inférieurs contiennent chacun, 18 canettes ou 9 bouteilles.

Étapes importantes pour le chargement

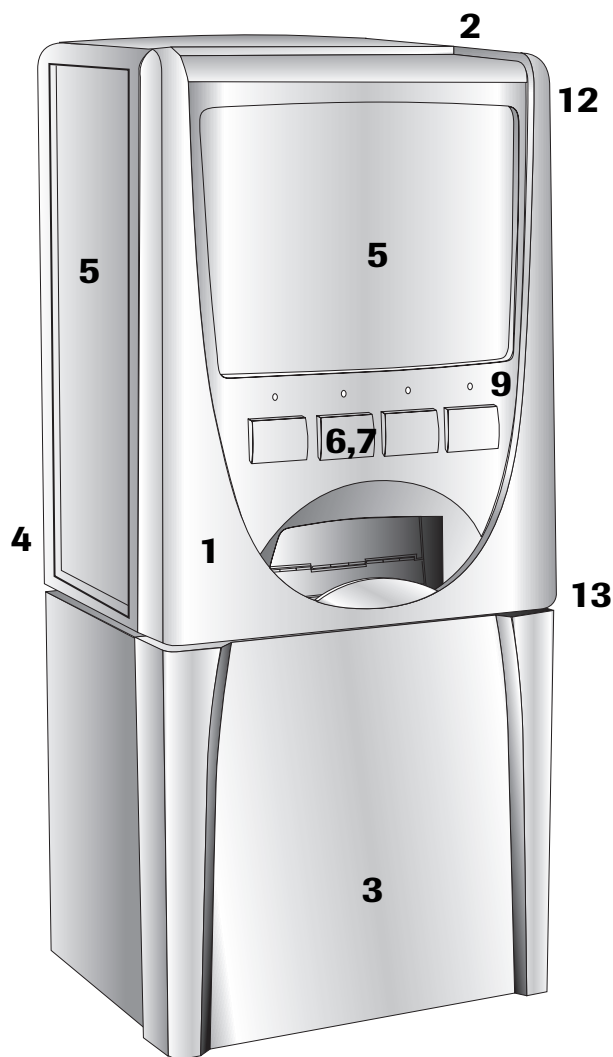
Veuillez suivre les instructions sur le chargement. Le témoin lumineux « stock à niveau réduit », situé au-dessus des boutons, peut s'allumer prématurément si le chargement est incorrect.

1. Assurez-vous que la partie principale est à l'ARRÊT et débranchée.
2. Ouvrez la porte avant de la partie principale, pour exposer les quatre bacs.
3. Lors du chargement des boissons, assurez-vous que **LE HAUT DES CONTENANTS SE TROUVE VERS L'AVANT.** (par ex., le haut des bouteilles à long goulot doit être orienté vers l'avant).



4. **IMPORTANT** – Commencez le chargement sur le côté gauche du bac, en mettant un contenant sur son côté, complètement à l'arrière, le haut vers l'avant. Si vous y mettez des canettes, poussez la première à fond, à l'arrière, puis mettez-en une autre directement devant.
5. Ensuite, passez au prochain compartiment à droite, et mettez un autre contenant complètement à l'arrière. Dans le cas de canettes, ajoutez-en une autre directement devant. (Voyez l'illustration au bas de la page.) Continuez ainsi pour le reste du bac. Répétez cette opération pour les autres bacs.
6. Une fois tous les bacs remplis, fermez la porte et branchez l'appareil dans une prise mise à la terre.
7. Insérez les cartes de boissons correspondantes dans les boutons de distribution, en tirant soigneusement le bord inférieur des boutons vers l'avant et vers le haut, et en y glissant les cartes. Le bouton de gauche correspond au bac supérieur. Le suivant, en se dirigeant vers la droite, correspond au bac se trouvant en dessous du plus haut, et ainsi de suite.

Caractéristiques



1. **Distributeur personnel de boissons/partie principale** –

La partie réfrigérée comporte quatre bacs qui permettent de recevoir jusqu'à 64 canettes ou 32 bouteilles. Cette partie principale, disponible en noir ou en platine quadrillé, est conçue pour s'harmoniser à vos panneaux d'affichage personnalisés.

2. **Tablette à boissons** – La partie avant du dessus du distributeur personnel de boisson est conçue pour retenir des boissons.

3. **Support SkyBase^{MC}** – Le support SkyBase^{MC} est disponible en noir ou platine quadrillé. Il est prévu pour soutenir le distributeur rempli de boissons. Il offre aussi un espace de rangement supplémentaire, avec tablette, à la température ambiante.

4. **Cordon d'alimentation** – Le cordon électrique est conçu pour une alimentation normale de 120 V, CA, 15 A, 60 Hz. Pour une plus grande sécurité, il est doté d'une fiche à 3 broches, mise à la terre.

5. **Graphiques d'affichage personnalisés** – Mettez en valeur vos vraies couleurs, avec des graphiques interchangeables

pour le devant et les côtés. Contrairement à votre ancien réfrigérateur, le graphique avant s'illumine, tout comme les distributeurs automatiques commerciaux. Au début de chaque saison de sport, vous pouvez remplacer vos graphiques. Pour en commander, consultez votre détaillant local ou : www.skyboxbymaytag.com.

6. **Boutons de sélection de boissons** – Insérez les cartes de vos boissons favorites et appuyez sur le ou les boutons, pour servir vos invités et vous-même. Contrairement aux distributeurs automatiques industriels, le distributeur personnel de boissons SkyBox^{MC} fonctionne sans pièces de monnaie ou billets.

7. **Cartes de boissons interchangeables** – Votre distributeur personnel de boissons SkyBox^{MC} est fourni avec 20 cartes de boissons les plus courantes. Les boutons peuvent être tirés soigneusement vers l'avant et vers le haut, pour vous permettre d'introduire la carte de votre choix. Pour commander des cartes supplémentaires ou de remplacement ou d'autres marques, consultez : www.skyboxbymaytag.com.

8. **Détecteur – arrêt automatique** – Pour des raisons de sécurité, dès que la porte de la partie réfrigérée principale est ouverte, la distribution ne se fait plus.

9. **Témoin « stock à niveau réduit »** – Pour éviter que vous vous retrouviez avec des boissons non rafraîchies. Quand il ne reste plus que 3 bouteilles ou 6 canettes dans un bac, le témoin « stock à niveau réduit » s'allume au-dessus du bouton pour indiquer qu'il faut remplir à nouveau le bac.

10. **Anti-mousse** – Le mécanisme de distribution du distributeur SkyBox^{MC} est spécialement conçu pour acheminer les boissons, sans trop les secouer ni les bousculer. Ceci signifie moins de mousse quand vous ouvrez une canette ou une bouteille. Il faut savoir que les boissons non rafraîchies produisent normalement plus de mousse. Rafraîchissez les boissons avant de les distribuer. Reportez-vous aux pages 26 et 27 pour revoir les conseils sur le chargement de boissons très gazeuses.

11. **Détecteur de coincement** – Bien qu'un coincement soit peu probable, le témoin « stock à niveau réduit » s'allumera pour indiquer un tel problème. Mettez l'appareil à l'arrêt et débranchez-le avant de l'ouvrir et de vérifier le coincement. Reportez-vous à la page 29 pour connaître les étapes appropriées à suivre, pour éviter les coincements.

12. **Verrouillage pour enfants** – Pour une plus grande sécurité des enfants ou pour mieux contrôler les animaux familiers trop curieux, le distributeur SkyBox^{MC} est doté d'un verrouillage pour enfants. Verrouillez un ou des bacs en particulier, ou verrouillez-les tous, en poussant tout simplement un curseur. Voyez de plus amples détails à la page 26.

13. **Clé de la partie principale** – Rangez vos boissons en sécurité, en verrouillant la porte de la partie principale. Un trou de serrure est prévu à droite de la partie principale.

Nettoyage

⚠ AVERTISSEMENT

Pour éviter les décharges électriques qui peuvent entraîner des blessures graves ou mortelles, débranchez le distributeur personnel de boissons avant de le nettoyer.

La conception modulaire du distributeur personnel de boissons SkyBox^{MC} facilite le nettoyage. La plupart des renversements peuvent être nettoyés avec un chiffon humide ou une éponge. Si un nettoyant domestique est utilisé, choisissez-le doux et non abrasif, qui n'égratignera ni ne ternira votre appareil. Ne laissez pas les produits renversés dans l'appareil; nettoyez-les sans tarder.

Pour éviter les renversements, ne mettez pas de contenants qui ont été préalablement ouverts dans le distributeur personnel de boissons SkyBox^{MC}.

Dépose de la porte

1. Assurez-vous que la partie principale est à l'ARRÊT et débranchée.
2. Débranchez le faisceau de la porte, au niveau du coin droit inférieur de la porte, et du coin inférieur gauche de l'appareil.
3. Ouvrez la porte au-delà des 90°.
4. Soulevez la porte pour la dégager des charnières.

Élimination de coincements

Si un coincement a lieu, le témoin « stock à niveau réduit » clignotera pour indiquer le problème. Si un seul témoin s'allume, ceci indique que le coincement se trouve au niveau du bac correspondant. Si tous les témoins s'allument, ceci indique que le coincement est probablement situé dans le mécanisme de distribution. La plupart des coincements proviennent d'un mauvais chargement, donc reportez-vous aux pages 26 et 27.

Pour éliminer un coincement, ouvrez le distributeur personnel de boissons SkyBox^{MC} et vérifiez le couloir d'acheminement des contenants du mécanisme de distribution et les bacs. Enlevez les contenants concernés et redispensez-les correctement.

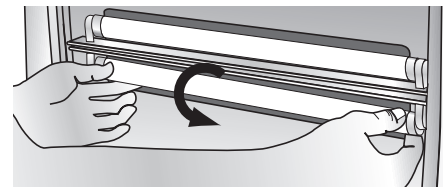
En ouvrant la porte pour éliminer le coincement, les témoins s'arrêtent de clignoter.

Liste de contrôle

- Avez-vous disposé les contenants sur leur côté, et **au fond de chaque compartiment**, leur **partie haute vers l'avant**?
- Les contenants ont-ils un diamètre non supérieur à 76,2 mm (3 po)?
- Utilisez-vous des canettes et des bouteilles de taille et de configuration irrégulières? Si oui, mettez-les dans le distributeur personnel de boissons SkyBox^{MC} sur une seule rangée pour éviter qu'elles ne se coincent.
- Est-ce que le distributeur personnel de boissons est rempli au-delà de sa capacité?
- Le distributeur personnel de boissons a-t-il complètement refroidi? Des coincements risquent de se produire plutôt lors du branchement initial et quand l'appareil n'est pas complètement refroidi.

Remplacement des tubes fluorescents

1. Assurez-vous que le distributeur personnel de boissons SkyBox^{MC} est à l'ARRÊT et débranché.
2. Relevez le couvercle d'accès – graphique, pour exposer une vis et le bord supérieur du panneau d'affichage avant.
3. Retirez la vis.
4. Faites glisser le graphique d'affichage avant vers le haut, pour le sortir du distributeur.
5. Relevez le panneau transparent, pour le sortir de l'appareil et exposer les douilles des tubes fluorescents.
6. Enlevez les tubes en les tournant vers vous.
7. Installez des nouveaux tubes fluorescents de 45,7 cm (18 po) de type FT15T8, 15 watts, en les disposant dans les douilles et en les tournant vers le haut, jusqu'à ce qu'ils se trouvent bien enclenchés.
8. Remettez le panneau transparent et faites glisser le graphique d'affichage avant, pour le remettre en place devant le panneau transparent et derrière le bord inférieur de l'ouverture du cadre.
9. Remettez la vis.
10. Rabattez le couvercle d'accès – graphique.



Avant de contacter un réparateur

PROBLÈME	SOLUTION POSSIBLE
Les témoins « stock à niveau réduit » sont allumés, mais les stocks ne sont pas à un niveau bas.	La partie principale peut être incorrectement chargée, ce qui allume prématurément les témoins « stock à niveau réduit ». Par exemple, si les canettes ou les bouteilles ne sont pas poussées complètement au fond de chaque compartiment, cela peut allumer un témoin « stock à niveau réduit ». Reportez-vous aux pages 26 et 27, pour les instructions sur le chargement approprié.
Les témoins « stock à niveaux réduit » clignotent rapidement.	Il peut y avoir un coincement dans la partie principale. Le témoin signale le problème. Reportez-vous à la page 29, pour éliminer le coincement. Pour arrêter les témoins qui clignotent, il suffit d'ouvrir et de refermer la porte du distributeur personnel de boissons.
Aucune boisson n'arrive quand le bouton est enfoncé.	Assurez-vous que l'appareil est chargé. Chaque contenant doit être disposé sur son côté et repoussé au fond de chaque compartiment, leur partie haute vers l'avant.
	La caractéristique de verrouillage pour enfants peut être activée. Ouvrez la porte de la partie principale et assurez-vous que le curseur de verrouillage à droite de chaque bac est à la position haute.
	Vérifiez s'il y a un ou des coincements (page 29).
	Ne donnez JAMAIS de coups de pied au distributeur de boissons, ne le poussez ou ne le frappez JAMAIS , pour essayer de faire descendre des boissons.
Le distributeur personnel de boissons ne rafraîchit pas.	Assurez-vous de bien utiliser la partie principale plutôt que le support, pour l'entreposage réfrigéré. Le support n'est pas réfrigéré.
	Vérifiez que l'appareil est bien branché dans une prise à 3 broches, mise à la terre.
	Vérifiez la molette du thermostat, dans le coin supérieur gauche du distributeur SkyBoxMC, et tournez-la à fond vers la droite.
Coincements de contenants.	Voyez la page 29, pour obtenir des suggestions.

Garantie/Service à la clientèle

Tous les distributeurs personnels de boissons SkyBox^{MC} de Maytag^{MC} sont garantis pendant un an, à compter de la date d'achat, s'ils manifestent un vice de matière ou de fabrication. Pendant cette période, tout produit Maytag qui s'est avéré défectueux à la suite d'une inspection par Maytag, sera réparé ou remplacé, au choix de Maytag, sans frais pour le consommateur.

Cette garantie ne s'applique pas à toute défectuosité ou vice découlant d'un mauvais emploi du produit par l'acheteur ou l'utilisateur, négligence ou non-respect des instructions Maytag, utilisation sur une alimentation ou une tension autre que celle estampée sur le produit, ou modification ou réparation non autorisée par Maytag. Si un produit de remplacement est envoyé, ce dernier bénéficiera de la période de garantie restante du produit d'origine. La réparation ou le démontage par toute personne autre que celle d'un centre de service après-vente autorisé de Maytag, rendra cette garantie nulle et non avenue.

LES GARANTIES STIPULÉES DANS LES PRÉSENTES SONT EXCLUSIVES. AUCUNE AUTRE GARANTIE, EXPRESSE OU TACITE, INCLUANT MAIS SANS S'Y LIMITER, TOUTE AUTRE GARANTIE D'APTITUDE MARCHANDE OU D'ADAPTABILITÉ À EFFECTUER UN USAGE PARTICULIER, NE SERA ACCORDÉE PAR MAYTAG OU NE SERA AUTORISÉE À ÊTRE ACCORDÉE EN CE QUI CONCERNE CE PRODUIT.

Ne sont pas couverts par cette garantie :

1. La garantie est rendue nulle si les numéros de série d'origine ont été enlevés, altérés ou ne peuvent pas être facilement déterminés.
2. Si les produits ont été achetés à des fins commerciales ou industrielles.
3. Dommages secondaires ou indirects subis par toute personne, suite au non-respect des garanties. Certains états ou provinces ne permettent pas l'exclusion ou la limitation des dommages secondaires ou indirects; par conséquent, la limitation ou exclusion ci-dessus peut ne pas s'appliquer à votre cas.

Pour le service à la clientèle :

1. Appelez le service à la clientèle Maytag au 1-877-366-5426 (États-Unis) ou au 1-800-688-2002 (Canada). Il sera probablement en mesure de vous aider à diagnostiquer le problème technique.
2. Écrivez à MAYTAG, Attn : CAIR[®] Center, P.O. Box 2370, Cleveland, TN 37320-2370. Lors d'une communication, par écrit ou par téléphone, sur un problème technique, veuillez inclure les renseignements suivants :
 - a. vos nom, adresse et numéro de téléphone;
 - b. numéros de modèle et de série de l'appareil (les numéros de modèle et de série se trouvent sur l'étiquette signalétique à l'arrière du distributeur);
 - c. description claire du problème rencontré;
 - d. preuve d'achat (ticket de caisse).
3. Les guides de l'utilisateur, les cartes de boissons supplémentaires, ainsi que les panneaux avant et latéraux personnalisés, sont disponibles en ligne sur : www.skyboxbymaytag.com.

SkyBox^{MR} de Maytag^{MR}

Distribuidor Personal de Bebidas

Modelo # MBV1976AA

Ahora ya puede presumir. Le felicitamos por su compra del distribuidor personal de bebidas SkyBox^{MR} de Maytag^{MR}. Es hora de instalar su distribuidor personal de bebidas SkyBox^{MR}, abastecerlo con sus botellas y latas favoritas y llamar a sus amigos. ¡No se sorprenda si ellos se entretienen más con el distribuidor de bebidas personal SkyBox^{MR} que viendo las repeticiones instantáneas de las jugadas!

Tabla de Materias

Instrucciones Importantes sobre Seguridad	33-34
Vista General.....	35
Montaje.....	36-41
Funcionamiento.....	42-43
Características.....	44
Mantenimiento.....	45
Antes de Solicitar Servicio	46
Garantía/Servicio a los Clientes	47

Instrucciones Importantes sobre Seguridad

Información sobre las Instrucciones de Seguridad

Las advertencias e instrucciones importantes sobre seguridad que aparecen en este manual no están destinadas a cubrir todas las posibles circunstancias y situaciones que puedan ocurrir. Se debe ejercer sentido común, precaución y cuidado cuando instale, efectúe mantenimiento o cuando use este distribuidor personal de bebidas.

Siempre póngase en contacto con su distribuidor, agente de servicio o fabricante si surgen problemas o situaciones que usted no comprenda.

Reconozca los símbolos, advertencias y etiquetas de seguridad

PELIGRO

PELIGRO – Riesgos inmediatos que **CAUSARAN** lesión personal grave o mortal.

ADVERTENCIA

ADVERTENCIA – Peligros o prácticas no seguras que **PODRIAN** causar lesión personal grave o mortal.

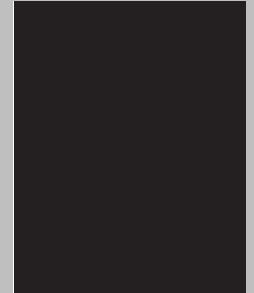
ATENCION

ATENCION – Peligros o prácticas no seguras que **PODRIAN** causar lesión personal menos grave o daños materiales.

PELIGRO

Los problemas de atrapamiento y asfixia de los niños no han quedado relegados al pasado. Los electrodomésticos de refrigeración desechados o abandonados son peligrosos - “aunque sólo se dejen unos días”. Si va a deshacerse de un distribuidor SkyBox^{MR} antiguo, por favor siga las siguientes instrucciones para ayudar a prevenir accidentes.

- Retire la puerta del distribuidor personal de bebidas SkyBox^{MR} (ver página 45).
- Deje los depósitos de almacenamiento en su lugar de modo que los niños no puedan entrar fácilmente.



Instrucciones Importantes sobre Seguridad

Precauciones Importantes

⚠ ADVERTENCIA

A fin de reducir el riesgo de incendio, choque eléctrico o lesión grave o mortal cuando use este artefacto de refrigeración y su pedestal, siga estas precauciones básicas incluyendo las siguientes:

1. Lea todas las instrucciones.
2. A fin de evitar lesiones, los niños no deben treparse, colgarse ni pararse en ninguna de las piezas de este artefacto o de su pedestal.
3. Use este artefacto y su pedestal solamente para el propósito que han sido diseñados.
4. Observe todos los códigos y reglamentos locales.
5. Para evitar la posibilidad de sufrir un choque eléctrico, nunca enchufe este artefacto refrigerado en un tomacorriente que no haya sido debidamente puesto a tierra de acuerdo con los códigos eléctricos locales y nacionales. Vea la advertencia y las instrucciones de puesta a tierra que se indican a continuación.
6. No use un adaptador de dos clavijas, un cordón de extensión ni una regleta protectora de tomas múltiples.
7. Desenchufe el cordón eléctrico del artefacto antes de colocar las latas o botellas y antes de la limpieza, de la reparación o del reemplazo del foco. Desenchufe el cordón eléctrico sujetándolo del enchufe, no del cordón.
8. Repare o cambie inmediatamente el cordón eléctrico del artefacto si se ha deshilachado o dañado o si el enchufe no calza firmemente en el tomacorriente eléctrico.
9. A fin de evitar un riesgo de incendio, este artefacto no debe funcionar en la cercanía de gasolina u otros vapores y líquidos inflamables.
10. Mantenga su distribuidor personal de bebidas SkyBox^{MR} en buen estado. Si golpea o deja caer el distribuidor personal de bebidas y/o el pedestal SkyBase^{MR} puede dañarlos o causar su mal funcionamiento o escapes. Si ocurre daño, póngase en contacto con un técnico de servicio calificado para efectuar la reparación.
11. Siempre lea y siga las instrucciones de instalación y funcionamiento del fabricante para los artículos que se guardarán en el distribuidor. Coloque las latas y las botellas en el distribuidor personal de bebidas como se describe en esta guía.
12. No levante ni mueva el distribuidor personal de bebidas y/o el pedestal SkyBase^{MR} cuando el distribuidor esté cargado con bebidas o cuando la puerta esté abierta.
13. El distribuidor personal de bebidas SkyBox^{MR} no ha sido diseñado para distribuir artículos alimenticios a excepción de los contenedores de bebidas especificados en esta guía.
14. No golpee con los pies ni de puñetazos o empuje el distribuidor personal de bebidas y/o el pedestal pues se puede volcar o dañar el sistema de refrigeración.
15. El distribuidor personal de bebidas SkyBox^{MR} ha sido diseñado para guardar contenedores de bebidas en las bandejas designadas en la parte superior del compartimiento principal. No coloque otros artículos encima del distribuidor.
16. No intente colocar los dedos, las manos o los brazos a través de la abertura del distribuidor de bebidas. Si se atasca una bebida en el distribuidor personal de bebidas SkyBox^{MR}, solucione el problema usando las instrucciones provistas en la página 45 de esta guía.

**CONSERVE ESTAS INSTRUCCIONES
PARA REFERENCIA FUTURA**

Vista General

Distribuidor Personal de Bebidas

SkyBox^{MR} de Maytag – Compartimiento de refrigeración con puerta delantera. Se abre para tener fácil acceso a cuatro depósitos de almacenamiento de bebidas. El distribuidor totalmente abastecido tiene capacidad para 64 latas de 12 onzas o 32 botellas de 12 onzas.

Gráfico Delantero – Se incluye con el distribuidor personal de bebidas SkyBox^{MR}.

Tarjetas de Bebidas – Su distribuidor personal de bebidas SkyBox^{MR} viene con un juego de tarjetas de las bebidas más comúnmente solicitadas las cuales pueden ser usadas para cubrir los botones de selección de bebidas. Para comprar tarjetas de bebidas adicionales, visite www.skyboxbymaytag.com.

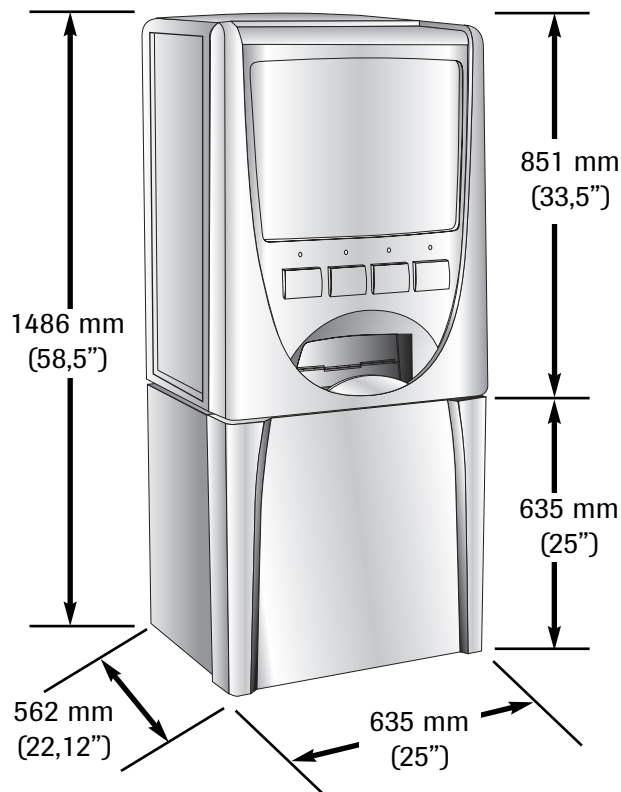
Paneles Gráficos – Los paneles se deslizan en la parte delantera y en los costados del distribuidor. Su distribuidor personal de bebidas SkyBox^{MR} viene con un panel delantero estándar. Para comprar paneles intercambiables delanteros y laterales personalizados con sus equipos deportivos favoritos visite www.skyboxbymaytag.com.

Pedestal SkyBase^{MR} (opcional) – Un pedestal resistente y estable que puede soportar aproximadamente 91 kg. (200 libras) de peso y sostener su distribuidor personal de bebidas completamente cargado. El distribuidor personal de bebidas SkyBox^{MR} se instala firmemente en el pedestal SkyBase^{MR}. Para comprarlo, visite a su distribuidor local o: www.skyboxbymaytag.com.

Montaje

Dimensiones

Una vez armado, el distribuidor personal de bebidas SkyBox^{MR} (el compartimiento principal instalado sobre el pedestal) tiene las siguientes dimensiones:



Lugar de Instalación

- El distribuidor personal de bebidas SkyBox^{MR} ha sido diseñado para uso en el interior con temperaturas ambiente que varíen entre 10° y 27° C (50° y 80° F).
- Se debe dejar un espacio mínimo de 127 mm (5") entre las bisagras de la puerta y una pared lateral para poder abrir la puerta. Deje un espacio libre de 77 mm (3") detrás del distribuidor personal de bebidas SkyBox^{MR} y 26 mm (1") en todos los costados para facilidad de instalación. Se necesita espacio adicional sobre el compartimiento principal para cambiar los paneles gráficos delanteros y laterales.

⚠ ADVERTENCIA

A fin de evitar una lesión, siga estas importantes instrucciones cuando instale el distribuidor personal de bebidas SkyBox^{MR} sobre la mesada.

Asegúrese de que el distribuidor sea colocado tan atrás como sea posible – a una distancia de por lo menos 6 pulgadas (15 cm) desde el borde delantero de la mesada al borde delantero de la puerta del distribuidor de bebidas.

⚠ ADVERTENCIA

- **IMPORTANTE:** Por razones de seguridad, el distribuidor personal de bebidas debe ser colocado en un área nivelada y firme, con el respaldo contra una pared, dejando un espacio libre de 77 mm (3"). La instalación contra la pared tiene por objeto evitar que cualquier persona, incluyendo los niños, puedan colocarse detrás del distribuidor y volcarlo, causando una lesión personal.

Instalación importante contra la pared



- Tenga cuidado cuando instale el distribuidor de bebidas sobre pisos de vinilo o de madera dura para evitar marcarlos o de otra manera dañar el revestimiento del piso. Se debe usar un pedazo de madera contrachapada, una alfombra u otro material para proteger el piso durante la instalación.
- Una vez que ha sido instalado y cargado con bebidas, el distribuidor personal de bebidas SkyBox^{MR} con el pedestal SkyBase^{MR} pesa alrededor de 136 kg. (300 libras), por lo tanto seleccione una ubicación donde no sea necesario moverlo con frecuencia.
- No mueva el distribuidor personal de bebidas SkyBox^{MR} cargado con bebidas pues se puede dañar.

⚠ ADVERTENCIA

Para evitar sufrir una lesión grave, **NO** levante ni mueva el distribuidor personal de bebidas SkyBox^{MR} y/o su pedestal SkyBase^{MR} cuando esté lleno con bebidas o cuando la puerta esté abierta.

Montaje

Montaje del Pedestal

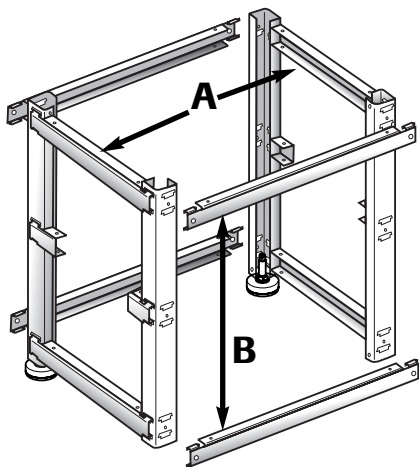
Desempaque cuidadosamente las piezas del pedestal (ver a continuación) de la caja de cartón.

Herramientas necesarias:

- Destornillador Phillips #2
- Nivel
- Llave Ajustable

Piezas	Cantidad
A Marco lateral.....	2
B Riel de soporte largo.....	4
C Tornillos niveladores traseros (instalados en los marcos laterales)	2
D Estantes.....	2
E Tornillos de Cabeza Plana.....	24
F Panel lateral izquierdo (con agujeros de bisagras) ...	1
G Panel lateral derecho (sin agujeros de bisagras).....	1
H Panel trasero	1
I Puerta	1
J Bisagras	2
K Pata delantera.....	2
L Tornillo Phillips de cabeza hexagonal M5 x 16 de 16 mm (5/8") de largo.....	6
M Cabeza niveladora de la pata delantera.....	2
N Tornillos fresados.....	6
FF Tornillo Phillips de cabeza hexagonal M5 x 20 de 20 mm (3/4") de largo.....	2

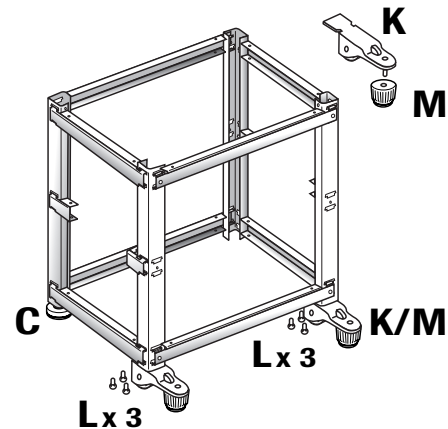
PASO 1 – Montaje del Marco del Pedestal



- Conecte un riel de soporte largo (**B**) a uno de los marcos laterales (**A**) insertando las lengüetas del riel de soporte en las ranuras del marco lateral y oprimiendo hacia abajo. Los rieles de soporte encajan temporalmente en su lugar cuando se les oprime hacia abajo.

- Conecte el otro extremo del riel de soporte a un segundo marco lateral (**A**) insertando las lengüetas del riel de soporte en las ranuras del marco lateral y oprimiendo hacia abajo.
- Repita el procedimiento con los 3 rieles restantes, para crear el marco básico del pedestal. **¡NO INSTALE NINGUN TORNILLO (E) DURANTE ESTE PASO!**

PASO 2 – Nivelación del Pedestal



- Instale las dos patas delanteras (**K**) en la parte inferior de los dos montantes con los seis tornillos Phillips de cabeza hexagonal M5 x 16 de 16 mm (5/8") de largo (**L**) para cada pata. **NOTA:** El perno roscado en la pata delantera debe quedar hacia afuera alejado del marco (ver figura.)
- Instale la cabeza niveladora (**M**) en el perno roscado en cada pata delantera (**K**).
- Coloque el conjunto en el piso donde será usado. Usando un nivel, ajuste las cabezas niveladoras de las patas delanteras (**M**) de modo que el rodillo delantero de la pata quede apenas sin tocar el suelo. Use una llave ajustable para ajustar los dos tornillos niveladores traseros (**C**) de modo que el pedestal quede bien nivelado en el piso.

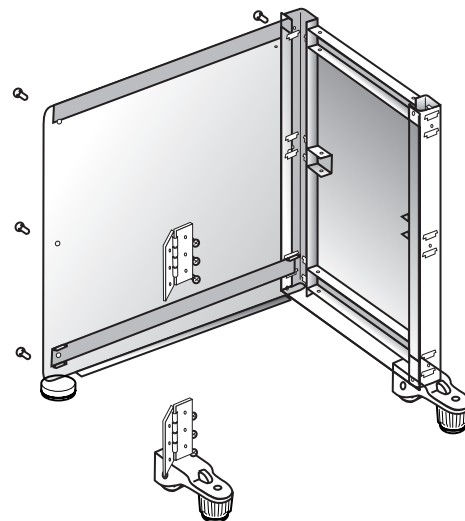
Montaje

PASO 3 – Instalación de los Estantes

- Coloque el estante inferior **(D)** sobre los rieles de soporte inferiores. Alinee los agujeros de los tornillos e instale los tornillos de cabeza plana **(E)**.
- Repita el procedimiento para el estante central **(D)**, que se instala sobre las cuatro lengüetas soldadas en los marcos laterales **(A)**.

PASO 4 – Montaje de los Paneles Exteriores

- Haga descender el reborde superior del panel lateral izquierdo **(F)** sobre la parte superior del marco lateral, alineando los agujeros de los tornillos del panel lateral con los agujeros del montante. Asegúrese de que el panel esté colocado para instalar las bisagras de la puerta en el costado delantero izquierdo. Instale el panel usando 3 tornillos de cabeza plana **(E)** hacia abajo en la parte delantera del pedestal y dos tornillos de cabeza plana **(E)** en el riel superior.



- Coloque el panel trasero **(H)** en el marco y en los paneles laterales alineando los agujeros de los tornillos en la parte trasera del pedestal. Asegure el panel trasero usando 6 tornillos de cabeza plana **(E)**. Durante este proceso, los tornillos también asegurarán la parte trasera del panel lateral derecho e izquierdo.

PASO 5 – Instalación de la Puerta del Pedestal SkyBase^{MR}

- Coloque la puerta **(I)** en la parte delantera del pedestal alineando los agujeros de los tornillos de las bisagras **(J)** con los agujeros de las bisagras del panel lateral izquierdo en la parte delantera del pedestal.
- Instale las bisagras **(J)** en el panel izquierdo **(F)** usando tres tornillos fresados **(N)** en cada bisagra.

Montaje

Montaje de la Cubierta Superior y de la Puerta del Distribuidor Personal de Bebidas SkyBox^{MR} (empaquete selecto solamente)

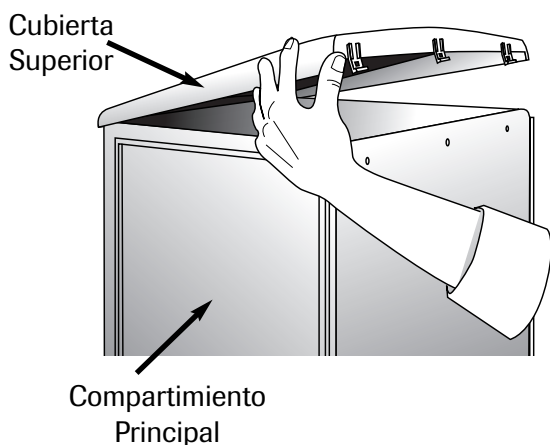
Desempaque cuidadosamente el distribuidor personal de bebidas SkyBox^{MR} de la caja de cartón.

Si es necesario, siga estas instrucciones para instalar la puerta del distribuidor personal de bebidas SkyBox^{MR}.

Piezas	Cantidad
Cubierta Superior	1
Compartimiento Principal	1
Puerta	1
Cableado Preformado de la Puerta	1

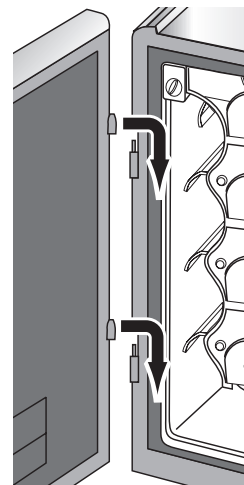
PASO 1 – Instalación de la Cubierta Superior

- Deslice los ganchos de la cubierta superior en las ranuras situadas en la parte delantera del compartimiento principal.
- Oprima la cubierta superior hacia abajo en la parte trasera de modo que las 3 lengüetas entren firmemente a presión en la parte trasera del compartimiento principal.



PASO 2 – Instalación de la Puerta

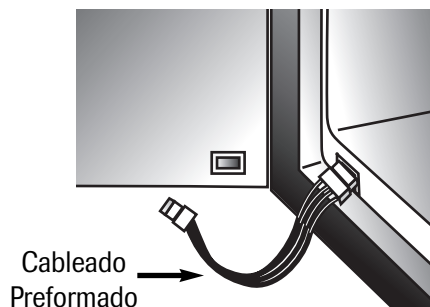
- Alinee las bisagras de la puerta con los pasadores de las bisagras del compartimiento principal. Mantenga la puerta abierta (**en un ángulo mayor de 90°**) desde la abertura del compartimiento principal. (**Nota:** Para su seguridad, la puerta no puede ser instalada ni ser sacada a un ángulo de 90°.)
- Inserte las bisagras en los pasadores de las bisagras. La puerta se deslizará fácilmente hacia abajo. **NO LA FUERCE.**



PASO 3 – Instalación del Cableado Preformado de la Puerta

⚠ ADVERTENCIA

Cerciórese de que el cordón eléctrico del distribuidor personal de bebidas SkyBox^{MR} **NO** esté enchufado en el tomacorriente antes de conectar el cableado preformado de la puerta.



- Instale un extremo del cableado preformado enchufándolo en la esquina izquierda inferior de la abertura del compartimiento principal, alineando el enchufe con la lengüeta pequeña dirigida hacia arriba para que calce en la toma. **Nota:** el enchufe puede insertarse en una dirección solamente. **NO LO FUERCE.**
- Instale el otro extremo del cableado preformado en la toma situada en la esquina derecha inferior de la puerta, alineando el enchufe con la lengüeta pequeña dirigida hacia arriba para que calce en la toma. **Nota:** el enchufe puede insertarse en una dirección solamente. **NO LO FUERCE.**

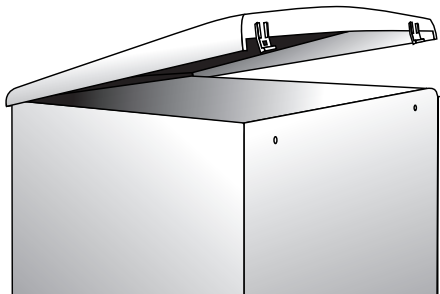
Montaje

Cambio de los Gráficos del Distribuidor SkyBox^{MR}

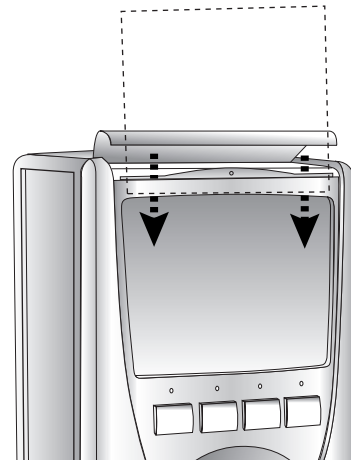
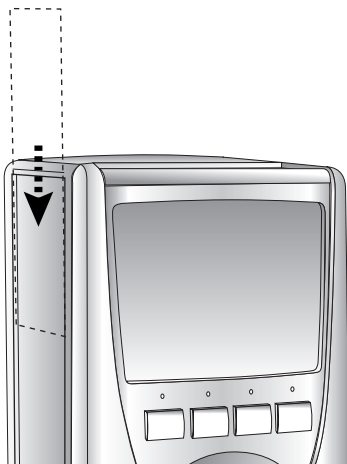
Su distribuidor personal de bebidas SkyBox^{MR} viene con un panel delantero estándar. Para comprar gráficos intercambiables delanteros y laterales personalizados, visite a su distribuidor local o www.skyboxbymaytag.com.

- Asegúrese de que el distribuidor personal de bebidas SkyBox^{MR} esté APAGADO y que el cordón esté desenchufado.

PASO 1 – Instalación de los Gráficos Laterales



- Retire la cubierta superior del distribuidor personal de bebidas SkyBox^{MR} levantando las lengüetas en la parte trasera de la cubierta. Tire levemente la cubierta superior hacia atrás para sacarla del marco. Déjela a un lado.

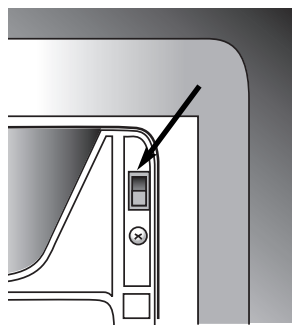


Funcionamiento

1. **INSTALE** el distribuidor personal de bebidas y el pedestal (ver páginas 36-41).
2. **COLOQUE** las bebidas en el distribuidor personal de bebidas (ver a continuación).
3. **ENCHUFE EL DISTRIBUIDOR** en un tomacorriente de 3 alvéolos con puesta a tierra.
4. **ENCIENDA LA LUCES** oprimiendo el interruptor situado en el lado derecho del distribuidor personal de bebidas arriba de la cerradura.
5. **AJUSTE EL TERMOSTATO** que se encuentra dentro del compartimiento principal en la esquina izquierda superior girando el control a la derecha a la temperatura deseada. Mientras más gira el control a la derecha más fría es la temperatura.
6. **ESPERE A QUE EL DISTRIBUIDOR SE ENFRIE.** Después de que se ha enchufado por primera vez, el distribuidor personal de bebidas demorará aproximadamente de 3 a 4 horas para enfriar sus bebidas.
7. **SIRVA** a sus invitados y a usted mismo oprimiendo el botón correspondiente a la bebida de su preferencia.

Bloqueo para Niños

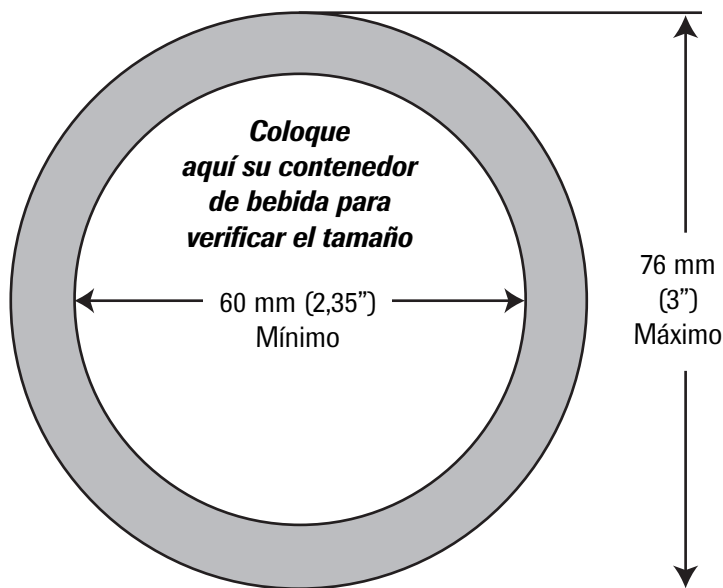
El distribuidor personal de bebidas SkyBox^{MR} viene equipado con una característica de bloqueo para niños. Simplemente abra la puerta del distribuidor y bloquee cada depósito (o solamente aquellos que usted desee). Para hacerlo, deslice hacia abajo el interruptor pequeño situado en el extremo derecho del depósito correspondiente. Para desbloquear, mueva el interruptor hacia arriba.



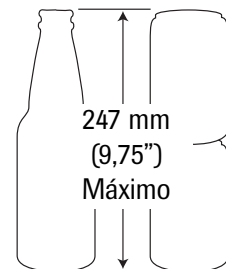
IMPORTANTE: El bloqueo para niños controla las bebidas distribuidas por el distribuidor personal de bebidas SkyBox^{MR}. Sin embargo, para bloquear en forma segura el acceso a todas las bebidas, use la llave provista para **CERRAR LA PUERTA** del compartimiento principal.

Abastecimiento del Distribuidor Personal de Bebidas SkyBox^{MR}

Su distribuidor personal de bebidas SkyBox^{MR} ha sido diseñado para guardar aproximadamente un total de 64 latas o 32 botellas de bebidas o una combinación de ambas. Cuando esté surtiendo su distribuidor, recuerde lo siguiente:

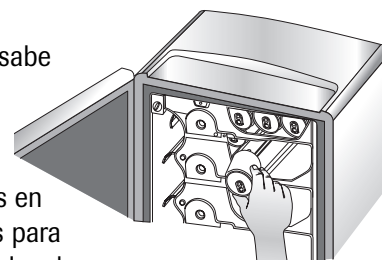


- Los contenedores de bebidas deben tener un diámetro mínimo de 60 mm (2,35") y un diámetro máximo de 76 mm (3").
- Los contenedores de bebidas deben ser redondos, debido a que el sistema distribuidor funciona por gravedad y los contenedores deben poder rodar.
- Los contenedores de bebidas no deben ser más altos que 2 latas de bebidas gaseosas estándares puestas una sobre la otra o 247 mm (9,75").



Sugerencias para colocar las bebidas:

- Para un funcionamiento sin problemas, **evite mezclar latas y botellas** dentro de un mismo depósito de almacenamiento.
- Para las bebidas que se sabe son muy gaseosas (tal como la cerveza espumante), coloque los contenedores de bebidas en los 2 depósitos inferiores para limitar la efervescencia y los derrames.



Funcionamiento

Opciones de Bebidas

Los siguientes contenedores de bebidas pueden colocarse en el compartimiento principal de su distribuidor personal de bebidas SkyBox^{MR}.

- Latas de bebidas de aluminio de 355 mL (12 onzas)
- Botellas de bebidas de vidrio de 355 mL (12 onzas)
- Botellas plásticas de cerveza de 355 mL (12 onzas)
- Botellas plásticas de bebidas gaseosas y de agua de 591 mL (20 onzas)

Cada uno de los depósitos de almacenamiento del compartimiento principal está equipado para distribuir botellas o latas.

Bebidas Altamente Gaseosas: Coloque en el depósito de almacenamiento inferior las bebidas altamente gaseosas y asegúrese de que ellas estén frías antes de ser distribuidas. Para evitar derrames cuando se abren bebidas muy gaseosas, espere 10 - 15 segundos antes de abrirlas y hágalo cuidadosamente en el fregadero.

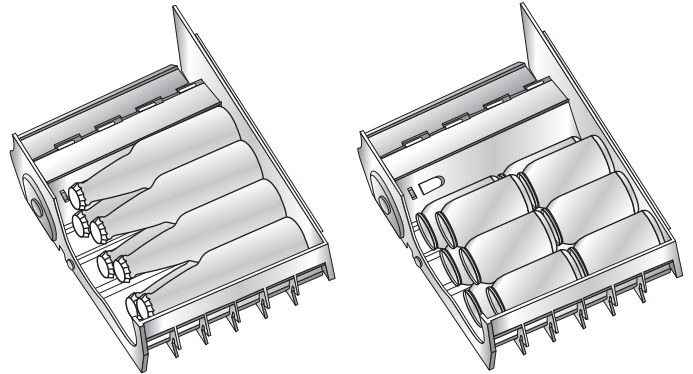
Capacidad: El depósito de almacenamiento superior tiene capacidad para 10 latas o 5 botellas. Cada uno de los 3 depósitos inferiores tiene capacidad para 18 latas o 9 botellas.

Pasos Importantes para Cargar el Distribuidor

Por favor siga las instrucciones de carga. La carga inapropiada puede causar que la luz indicadora de "bajo stock de bebidas" situada sobre los botones de las bebidas se ilumine prematuramente.

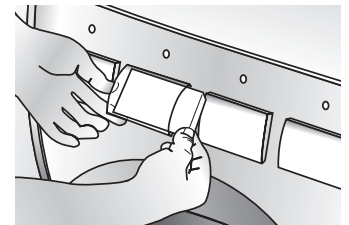
1. Asegúrese de que el compartimiento principal este APAGADO y que el cordón eléctrico esté desenchufado.
2. Abra la puerta delantera del compartimiento principal, para dejar al descubierto los cuatro depósitos de almacenamiento.

3. Cuando coloque los contenedores de bebidas, asegúrese de colocarlos con la **PORTE SUPERIOR DIRIGIDA HACIA EL FRENTE** (es decir, las botellas de cuello largo con los cuellos hacia el frente).

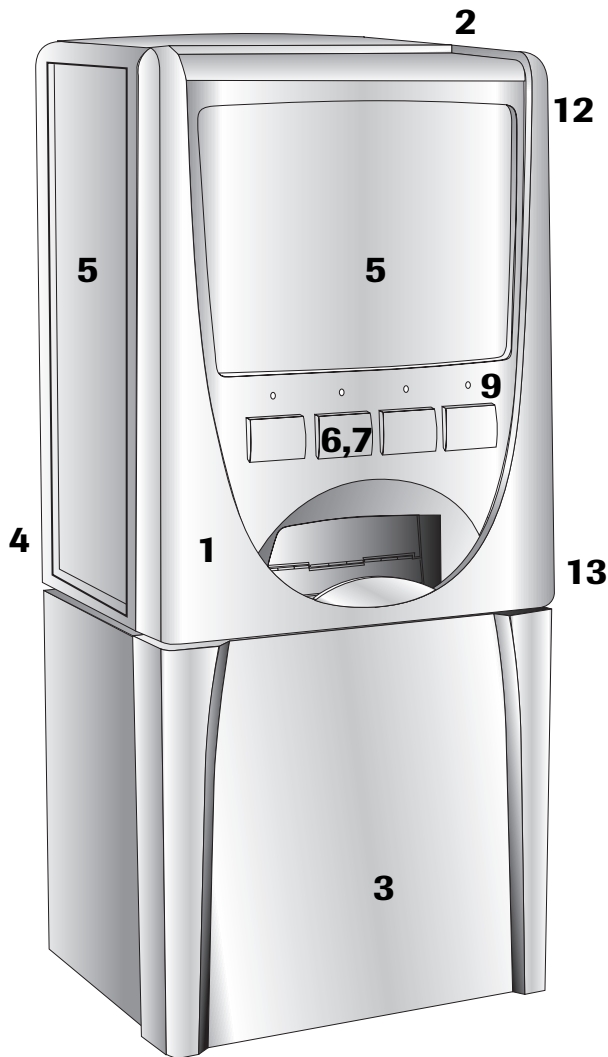


4. **IMPORTANTE** – Comience a cargar el extremo izquierdo del depósito, colocando un contenedor de bebida de costado completamente hasta atrás con la parte superior dirigida hacia delante. Si está colocando latas, empuje la primera lata hasta el fondo y luego coloque una directamente enfrente.
5. A continuación, pase un espacio a la derecha y coloque otro contenedor de bebida hasta el fondo. Si está colocando latas, agregue otra directamente enfrente. (Ver la ilustración.) Continúe hasta que el depósito de almacenamiento esté completamente lleno. Repita lo mismo con los depósitos de almacenamiento restantes.
6. Una vez que los depósitos están llenos, cierre la puerta y enchufe el cordón eléctrico en un tomacorriente puesto a tierra.

7. Inserte las tarjetas de bebidas correspondientes en los botones de selección de bebidas levantando cuidadosamente el borde inferior de los botones hacia arriba y deslizando en ellos las tarjetas. El primer botón de la izquierda corresponde al depósito de almacenamiento superior. El segundo botón a la derecha corresponde al segundo depósito de almacenamiento desde la parte superior, etc.



Características



- 1. Distribuidor Personal de Bebidas/Compartimento Principal** – El compartimento principal refrigerado está equipado con cuatro depósitos que en total almacenan hasta 64 latas o 32 botellas. Este compartimento, disponible en negro o gris platino, ha sido diseñado para armonizar con sus paneles gráficos personalizados.
- 2. Estantes de las Bebidas** – El área delantera superior del distribuidor personal de bebidas ha sido diseñada para sostener los contenedores de bebidas.
- 3. Pedestal SkyBase^{MR}** – El pedestal SkyBase^{MR}, disponible también en negro o gris platino, sostiene con seguridad su distribuidor personal de bebidas totalmente lleno. También ofrece espacio de almacenamiento adicional con temperatura ambiente y además un estante.
- 4. Cordón Eléctrico** – El cordón eléctrico está diseñado para alimentación normal de 120V CA, 15 amp., 60 Hz. Para su seguridad, este cordón está equipado con un enchufe de 3 clavijas con puesta a tierra.
- 5. Gráficos Personalizados** – Despliegue sus colores favoritos con los gráficos intercambiables delanteros y laterales. A

diferencia de su antiguo refrigerador, el gráfico delantero se ilumina igual que las máquinas distribuidoras comerciales. Al comienzo de cada temporada deportiva, cambie sus gráficos de acuerdo con sus preferencias. Para hacer pedidos de gráficos nuevos, visite a su distribuidor local o www.skyboxbymaytag.com.

- 6. Botones de Selección de Bebidas** – Inserte las tarjetas de sus bebidas favoritas y oprima los botones para servir a sus invitados y a usted mismo. Al contrario de las máquinas distribuidoras industriales, el distribuidor personal de bebidas SkyBox^{MR} funciona sin monedas o billetes.
- 7. Tarjetas de Bebidas Intercambiables** – Su distribuidor personal de bebidas SkyBox^{MR} se suministra con 20 tarjetas que ilustran las bebidas principales. Los botones de las bebidas se levantan cuidadosamente hacia adelante y hacia arriba, permitiéndole insertar cualquiera de las tarjetas que usted desee. Solicite tarjetas adicionales o de repuesto visitando www.skyboxbymaytag.com.
- 8. Sensor 'Auto-off' (cierre automático)** – Para propósitos de seguridad, cada vez que la puerta del compartimento de refrigeración esté abierta no habrá distribución de bebidas.
- 9. Luz Indicadora de "Bajo Stock de Bebidas"** – Evite tener que servir bebidas tibias. Cuando los depósitos de bebidas comienzan a estar vacíos y quedan 3 botellas o 6 latas, la luz indicadora de bajo stock de bebidas se iluminará arriba del botón de la bebida para indicar que es necesario reabastecer el depósito.
- 10. Reducción de la Espuma** – El distribuidor personal de bebidas SkyBox^{MR} está especialmente diseñado para distribuir sus bebidas con un mínimo de movimiento o sacudidas. Esto significa menos espuma cuando usted abre sus latas o botellas. Se debe notar que las bebidas tibias forman más espuma. Enfíe las bebidas antes de distribuir las. Consulte las páginas 42 y 43 para sugerencias sobre el almacenamiento de bebidas muy gaseosas.
- 11. Detector de Atascamiento** – En el improbable caso de que se produzca un atascamiento en el distribuidor, las luces indicadoras de bajo stock de bebidas destellarán para identificar el problema. Apague el distribuidor y desenchúfelo antes de abrir la máquina para inspeccionar el atascamiento. Consulte la página 45 para ver los pasos apropiados que se deben seguir para evitar atascamientos.
- 12. Bloqueo para Niños** – Para la seguridad de los niños o para controlar mejor a los animales domésticos curiosos, su distribuidor personal de bebidas SkyBox^{MR} está equipado con una característica de bloqueo para niños. Bloquee algunas bebidas individuales o bloquéelas todas con sólo accionar un interruptor. Vea más detalles en la página 42.
- 13. Llave de la puerta del compartimento principal** – Guarde sus bebidas en forma segura cerrando con llave la puerta del compartimento principal. Use la cerradura que se encuentra en el lado derecho del compartimento principal.

Mantenimiento

Limpieza

⚠ ADVERTENCIA

Para evitar choque eléctrico que puede causar una lesión personal grave o mortal, desenchufe el distribuidor personal de bebidas antes de la limpieza.

El diseño modular de su distribuidor personal de bebidas SkyBox^{MR} permite su fácil limpieza. La mayoría de los derrames pueden limpiarse con un paño o esponja húmeda. Si se usa un limpiador doméstico, seleccione un producto que sea suave y no abrasivo que no raye ni opaque la superficie de su máquina. No deje que los derrames de las bebidas permanezcan por mucho tiempo; límpielos inmediatamente.

Para evitar derrames, no guarde en el distribuidor personal de bebidas SkyBox^{MR} latas o botellas previamente abiertas o parcialmente usadas.

Desmontaje de la Puerta

1. Asegúrese de que el compartimiento principal esté APAGADO y que el cordón eléctrico esté desenchufado.
2. Desenchufe el cableado preformado de la esquina derecha inferior de la puerta y de la esquina izquierda inferior del distribuidor personal de bebidas.
3. Abra la puerta en un ángulo de más de 90°.
4. Levante la puerta hacia arriba para desenganchar las bisagras de la puerta de los pasadores de las bisagras.

Solución de los Atascamientos

Si ocurre un atascamiento, las luces indicadoras de bajo stock de bebidas destellarán para indicar el problema. Si sólo una luz está destellando, significa que el atascamiento ocurrió dentro del depósito de almacenamiento correspondiente. Si todas las luces están destellando, el atascamiento probablemente ocurrió en el trayecto de distribución. La mayoría de los atascamientos son causados por almacenamiento inapropiado de las bebidas. Consulte las páginas 42 y 43 para las instrucciones sobre la carga correcta de bebidas.

Para despejar un atascamiento abra la puerta del distribuidor personal de bebidas SkyBox^{MR} e inspeccione el trayecto de distribución y los depósitos de almacenamiento de bebidas. Retire o reorganice los contenedores de bebidas.

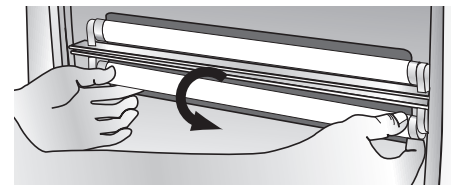
Al abrir la puerta para despejar el atascamiento las luces dejarán de destellar.

Consulte la siguiente lista de control.

- ¿Ha colocado los contenedores de bebidas de costado **hasta el fondo de cada compartimiento** con las **partes superiores dirigidas hacia adelante**?
- ¿El diámetro de los contenedores de bebidas no es superior a 76,2 mm (3")?
- ¿Está utilizando latas o botellas de formas o tamaños fuera de lo común? Si es así, coloque estos productos en el distribuidor SkyBox en una sola fila para ayudar a reducir los atascamientos.
- ¿Llenó el distribuidor personal de bebidas excediendo su capacidad?
- ¿Se enfrió completamente el distribuidor personal de bebidas? Los atascamientos suceden más fácilmente cuando el distribuidor ha sido recientemente enchufado y no se ha enfriado completamente.

Reemplazo de los Tubos Fluorescentes del Panel

1. Asegúrese de que el distribuidor personal de bebidas SkyBox^{MR} esté apagado y desenchufado.
2. Levante la cubierta de acceso al gráfico dejando al descubierto un tornillo y el borde superior del panel delantero.
3. Retire el tornillo.
4. Deslice el gráfico delantero hacia arriba para sacarlo del distribuidor personal de bebidas.
5. Levante el panel transparente hacia arriba y hacia afuera del distribuidor dejando al descubierto los casquillos de los tubos fluorescentes.
6. Retire los tubos girándolos hacia usted.
7. Instale tubos fluorescentes nuevos de 45,7 cm (18") de tipo F15T8 de 15 watts insertándolos en los casquillos y girándolos hacia arriba hasta que queden bien firmes.
8. Vuelva a colocar el panel transparente y deslice el gráfico delantero de nuevo colocándolo enfrente del panel transparente, detrás del borde inferior de la abertura del marco.
9. Vuelva a instalar el tornillo.
10. Baje a su lugar la cubierta de acceso al gráfico.



Antes de Solicitar Servicio

PROBLEMA	SOLUCION POSIBLE
Las luces indicadoras de bajo stock de bebidas están encendidas, pero no faltan bebidas en el compartimiento principal.	El compartimiento principal puede estar cargado de manera incorrecta lo cual causa que las luces indicadoras de bajo stock de bebidas se iluminen prematuramente. Por ejemplo, si las latas o las botellas no son empujadas completamente hasta el fondo del distribuidor, esto causará que las luces indicadoras se iluminen. Consulte las instrucciones de almacenamiento adecuado de las bebidas en las páginas 42 y 43.
Las luces indicadoras de bajo stock de bebidas están destellando rápidamente.	El compartimiento principal puede estar atascado y la luz está indicando el problema. Consulte la página 45 para información sobre como despejar el atascamiento. Para eliminar las luces destellantes, simplemente abra y cierre la puerta del distribuidor personal de bebidas.
No se distribuyen bebidas cuando se oprimen los botones de bebidas.	Asegúrese de que el distribuidor esté cargado con bebidas. Las bebidas deben ser colocadas de costado, completamente hasta el fondo con las partes superiores dirigidas hacia el frente.
	La característica de bloqueo para niños puede estar activada. Abra la puerta del compartimiento principal y asegúrese de que el seguro en el extremo derecho de cada depósito de almacenamiento esté abierto (dirigido hacia arriba).
	Verifique si hay atascamientos. Ver página 45.
	NUNCA de puntapiés, ni golpee o empuje el distribuidor personal de bebidas para intentar hacer salir las bebidas.
El distribuidor de bebidas no está enfriando.	Asegúrese de que usted está usando el compartimiento principal para la refrigeración en vez del pedestal. El pedestal no refrigera.
	Verifique si el distribuidor está enchufado en un tomacorriente de tres alvéolos puesto a tierra.
	Verifique el termostato en la esquina superior izquierda del distribuidor personal de bebidas SkyBox ^{MR} y gírelo completamente a la derecha.
El contenedor de bebidas se atasca.	Vea las sugerencias en la página 45.

Garantía/Servicio al Cliente

Todos los distribuidores personales de bebidas SkyBox^{MR} de Maytag^{MR} están garantizados durante un año desde la fecha de compra contra defectos de material y fabricación. Durante este período, cualquier producto Maytag que después de la inspección por Maytag resulte estar defectuoso, será reparado o reemplazado, según lo decida Maytag, sin costo para el cliente.

Esta garantía no es válida para ningún defecto causado por mal uso del comprador o del usuario del producto, por negligencia, por incumplimiento de las instrucciones de Maytag, por el uso con una corriente eléctrica o voltaje que no sea la que está impresa en el producto o por alteraciones o reparaciones no autorizada por Maytag. Si se envía un producto de repuesto, este estará cubierto por la garantía restante del producto original. La reparación o desmontaje por cualquier persona que no pertenezca a un centro de servicio autorizado Maytag anulará la garantía.

LAS GARANTIAS AQUI INDICADAS SON EXCLUSIVAS Y MAYTAG NO HACE NI AUTORIZA NINGUNA OTRA GARANTIA EXPRESA O IMPLICITA INCLUYENDO PERO NO LIMITANDO, CUALQUIER GARANTIA DE MERCANTIBILIDAD O APTITUD PARA UN PROPOSITO O USO PARTICULAR CON RESPECTO AL PRODUCTO.

Lo que no Cubre esta Garantía:

1. La garantía queda nula si los números de serie originales han sido retirados, alterados o no pueden ser fácilmente legibles.
2. Los productos comprados para uso comercial o industrial.
3. Daños consecuentes o incidentales sufridos por cualquier persona como resultado de cualquier incumplimiento de esta garantía. En algunos estados no se permite la exclusión o limitación de daños consecuentes o incidentales, por lo tanto la exclusión anterior puede no aplicarse en su caso.

Para ponerse en contacto con el Servicio a los Clientes:

1. Llame al Servicio a los Clientes MAYTAG al 1-877-366-5426 en EE.UU. o al 1-800-688-2002 en Canadá. Ellos podrán ayudarle a solucionar problemas de su producto. En Estados Unidos, los clientes que usan TTY para personas con impedimentos auditivos o del habla pueden llamar al 1-800-688-2080 (Lunes a Viernes, de 8:00 a.m. a 8:00 p.m., hora del este).
2. Escriba a MAYTAG, Attn: CAIR[®] Center, P.O. Box 2370, Cleveland, TN 37320-2370. Cuando escriba o llame respecto a un problema de servicio, por favor incluya la siguiente información:
 - a. Su nombre, dirección y número de teléfono;
 - b. Número de modelo y de serie del producto (los números de modelo y de serie se encuentran en una etiqueta de información en la parte trasera del distribuidor);
 - c. Una descripción clara del problema que está experimentando;
 - d. Comprobante de compra (recibo de compra).
3. Las guías del usuario, las tarjetas de bebidas adicionales, así como los paneles personalizados laterales y delanteros están disponibles en línea visitando www.skyboxbymaytag.com.

Free Manuals Download Website

<http://myh66.com>

<http://usermanuals.us>

<http://www.somanuals.com>

<http://www.4manuals.cc>

<http://www.manual-lib.com>

<http://www.404manual.com>

<http://www.luxmanual.com>

<http://aubethermostatmanual.com>

Golf course search by state

<http://golfingnear.com>

Email search by domain

<http://emailbydomain.com>

Auto manuals search

<http://auto.somanuals.com>

TV manuals search

<http://tv.somanuals.com>