



MAYTAG™

AIR PURIFIER

Use & Care Guide

For questions about features, operation/performance, parts, accessories or service call: **1-888-962-6245**

In Canada, call for assistance, installation and service, call **1-888-962-6245**,

or visit our website at... www.maytagairpurifiers.com

PURIFICADOR DE AIRE

Manual de uso y cuidado

Si tiene preguntas respecto a las características, funcionamiento, rendimiento, partes, accesorios o servicio técnico, llame al: **1-888-962-6245**

o visite nuestro sitio de Internet en... www.maytagairpurifiers.com

PURIFICATEUR D'AIR

Guide d'utilisation et d'entretien

Au Canada, pour assistance, installation ou service, composez le **1-888-962-6245**

ou visitez notre site Web... www.maytagairpurifiers.com

Table of Contents/Índice/Table des matières 2

MT-AP510

TABLE OF CONTENTS

AIR PURIFIER SAFETY	3	Cleaning.....	5
INSTALLATION REQUIREMENTS	4	Filter Replacement	5
Electrical Requirements	4	TROUBLESHOOTING	6
Location Requirements	4	ASSISTANCE OR SERVICE	6
AIR PURIFIER USE	4	In the U.S.A. and Canada.....	6
Using the Controls	5	Replacement Filters.....	6
AIR PURIFIER CARE	5	Seal of Silence 30-Day Money-Back Guarantee	6
		WARRANTY	7

ÍNDICE

SEGURIDAD DEL PURIFICADOR DE AIRE	8	Reemplazo de los filtros.....	11
REQUISITOS DE INSTALACIÓN	9	SOLUCIÓN DE PROBLEMAS	11
Requisitos eléctricos	9	AYUDA O SERVICIO TÉCNICO	12
Requisitos de ubicación.....	9	En los EE.UU. y Canadá.....	12
USO DEL PURIFICADOR DE AIRE	9	Filtros de repuesto	12
Uso de los controles	10	Garantía de silencio de 30 días o el reembolso de su dinero ...	12
CUIDADO DEL PURIFICADOR DE AIRE	11	GARANTÍA	13
Limpieza	11		

TABLE DES MATIÈRES

SÉCURITÉ DU PURIFICATEUR D'AIR	14	Remplacement du filtre	17
SPÉCIFICATIONS D'INSTALLATION	15	DÉPANNAGE	17
Spécifications électriques	15	ASSISTANCE OU SERVICE	18
Exigences d'emplacement.....	15	Aux États-Unis et au Canada.....	18
UTILISATION DU PURIFICATEUR D'AIR	15	Filtres de rechange.....	18
Utilisation des commandes.....	16	Garantie de silence de 30 jours ou argent remis	18
ENTRETIEN DU PURIFICATEUR D'AIR	17	GARANTIE	19
Nettoyage	17		



This product earned the ENERGY STAR by meeting strict energy efficiency guidelines set by the U.S. EPA. U.S. EPA does not endorse any manufacturer claims of healthier indoor air from the use of this product.

The energy efficiency of this ENERGY STAR qualified model is measured based on a ratio between the model's CADR for dust and the electrical energy it consumes, or CADR/Watt.

Este producto obtuvo la designación de ENERGY STAR al haber cumplido con los estrictos lineamientos de eficiencia de energía establecidos por la Agencia de Protección del Medioambiente (EPA) de los Estados Unidos. La Agencia de Protección del Medioambiente de los Estados Unidos no respalda ninguna afirmación por parte del fabricante en el sentido de que el uso de este producto proporciona aire interior más sano.

La eficiencia de energía de este modelo que reúne las condiciones de ENERGY STAR se mide en relación con la relación entre el CADR (Índice de emisión de aire limpio) para polvo del modelo y la energía eléctrica que consume, es decir CADR/Watt.

Ce produit a reçu la certification ENERGY STAR en satisfaisant aux directives strictes de rendement énergétique établies par l'EPA aux É.-U. L'EPA aux É.-U. ne garantit pas l'engagement du fabricant relatif à un air plus sain du fait de l'utilisation de ce produit.

Le rendement énergétique de ce modèle certifié ENERGY STAR est mesuré sur la base d'un ratio entre le débit d'air purifié (poussière) du modèle et l'électricité consommée, ou le ratio débit d'air purifié/Watt.

AIR PURIFIER SAFETY

Your safety and the safety of others are very important.

We have provided many important safety messages in this manual and on your appliance. Always read and obey all safety messages.



This is the safety alert symbol.

This symbol alerts you to potential hazards that can kill or hurt you and others.

All safety messages will follow the safety alert symbol and either the word "DANGER" or "WARNING."

These words mean:

⚠ DANGER

You can be killed or seriously injured if you don't immediately follow instructions.

⚠ WARNING

You can be killed or seriously injured if you don't follow instructions.

All safety messages will tell you what the potential hazard is, tell you how to reduce the chance of injury, and tell you what can happen if the instructions are not followed.

IMPORTANT SAFETY INSTRUCTIONS

WARNING: To Reduce The Risk Of Fire or Electrical Shock, Do Not Use The Air Purifier With Any Solid-State Speed Control Device.

WARNING: To Reduce The Risk Of Fire Or Electrical Shock And Injury To Persons, Do Not Use In A Window.

Unplug air purifier before servicing.

READ AND SAVE THESE INSTRUCTIONS

INSTALLATION REQUIREMENTS

Electrical Requirements

⚠ WARNING



Electrical Shock Hazard

Plug into a grounded 3 prong outlet.

Do not remove ground prong.

Do not use an adapter.

Do not use an extension cord.

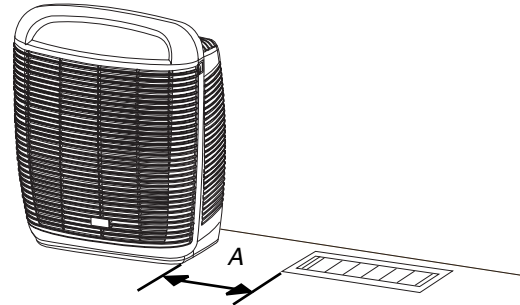
Failure to follow these instructions can result in death, fire, or electrical shock.

Electrical Connection

To properly install your air purifier, you must determine the type of electrical connection you will be using and follow the instructions provided for it here.

- The air purifier should be connected to a 115 V, 60 Hz, 15- or 20-amp fused 3 prong grounded outlet.
- The use of a time-delay fuse or time-delay circuit breaker is recommended.

Location Requirements

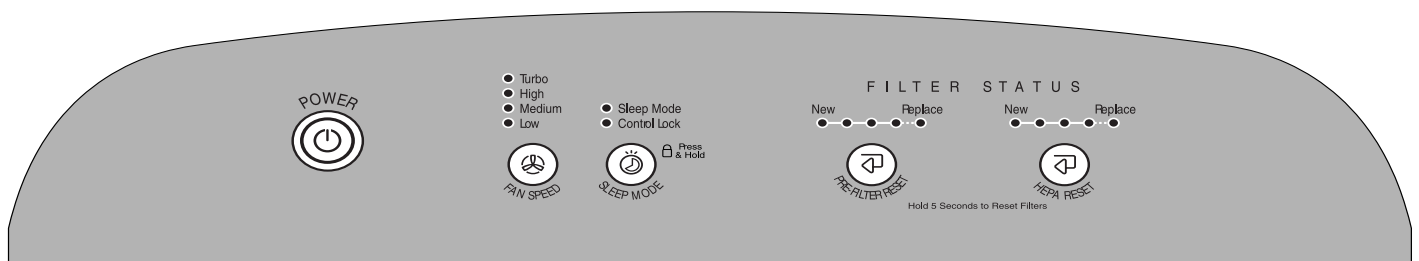


A. 6" (15.2 cm) minimum clearance

- You will need a level surface at least 6" (15.2 cm) from heat sources such as ranges or heaters.
- Do not block air openings or place air cleaner on a soft surface such as a bed or sofa.
- Operate indoors only.

AIR PURIFIER USE

NOTE: Before operating the air purifier, record the date of installation on the HEPA filter. Under normal conditions, the HEPA filter should be replaced annually, and the pre-filter should be replaced every 3 months. To remove and replace either filter, see "Filter Replacement" in the "Air Purifier Care" section.



Using the Controls

⚠ WARNING



Electrical Shock Hazard

Plug into a grounded 3 prong outlet.

Do not remove ground prong.

Do not use an adapter.

Do not use an extension cord.

Failure to follow these instructions can result in death, fire, or electrical shock.

1. Plug into a grounded 3 prong outlet.
2. Press POWER to start the air purifier. An indicator light will turn on.
3. Press POWER to stop the air purifier. The indicator light will turn off.

Fan Speed

Press FAN SPEED until the indicator light comes on for the desired speed.

Fan Speed	Result
Low	Best product sound
Medium	Slower cleaning power
High	Moderate cleaning power
Turbo	Maximum cleaning power

Sleep Mode

Press SLEEP MODE to set. Sleep mode runs on Low fan speed for 8 hours and then returns to previously selected setting. To exit before 8 hours, press SLEEP MODE, FAN SPEED, or POWER.

Control Lock

The Control Lock locks the controls to avoid unintended changing of the settings when the air purifier is on or off.

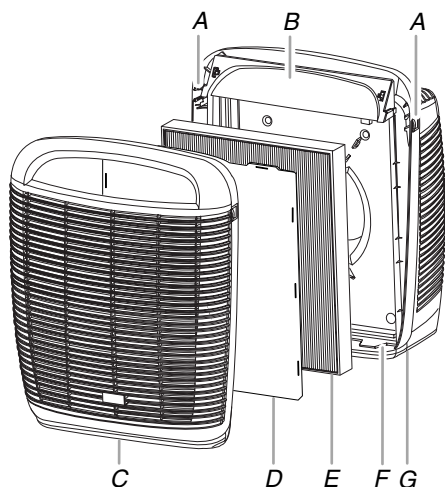
1. Press and hold SLEEP MODE for 5 seconds to lock. The Control Lock indicator light will turn on. (No selection can be made.)
2. Press SLEEP MODE for 5 seconds to unlock. The Control Lock indicator light will turn off. Now selections can be made and the unit can be turned on or off.

Filter Status Lights

The pre-filter and HEPA filter status lights will help you know when to change your filters. The green status lights will move from New to Replace at preset intervals. When the red Replace status light is flashing, replace the filter as indicated. See "Filter Replacement" in the "Air Purifier Care" section.

AIR PURIFIER CARE

Cleaning



A. Release tabs
B. Controls
C. Front grille

D. Pre-filter
E. HEPA filter

F. Bottom slot
G. Mainframe assembly

1. Press POWER to turn off the air purifier.
2. Unplug air purifier or disconnect power.
3. Place fingers on the front release tabs. Gently push the tabs in and pull the front grille forward to remove it.
4. Remove both filters and set aside. Do not try to wash and reuse either the HEPA filter or the pre-filter.
5. Clean the air purifier with a soft, damp cloth.
6. Gently wash the front grille in soapy water.
NOTE: The grille is not dishwasher safe.
7. Reassemble the filters as shown in previous illustration.
8. Place the bottom tabs on the front grille into the bottom slots in base of the air purifier. Push the top of the grille forward until the grille locks into place.
9. Plug in air purifier or reconnect power.
10. Press POWER to start the air purifier.

Filter Replacement

NOTE: The filter indicator lights on top of the air purifier will glow when it is time to replace either the pre-filter or the HEPA filter. For the most efficient operation of the air purifier, under normal conditions it is recommended that you replace the pre-filter every 3 months and the HEPA filter every year.

See "Replacement Filters" in the "Assistance or Service" section. Use of a non-Maytag filter or failure to replace the filter regularly will invalidate this warranty.

1. Press POWER to turn off the air purifier.
2. Unplug air purifier or disconnect power.
3. Place fingers on the front release tabs. Gently push the tabs in and pull the front grille forward to remove it.
4. Remove and replace the indicated filter. Install the new HEPA filter in the same direction shown by the arrow located on the filter frame. Install the new pre-filter by placing it on the tabs.

NOTE: Do not try to wash and reuse either the HEPA filter or the pre-filter.

5. Place the bottom tabs on the front grille into slots in the base of the air purifier. Push the top of the grille forward until the grille locks into place.
6. Plug in air purifier or reconnect power.
7. Press POWER to start the air purifier.
8. Press either the PRE-FILTER RESET or the HEPA RESET button for 5 seconds to turn off the filter indicator light(s) and reset timer.

TROUBLESHOOTING

First try the solutions suggested here and possibly avoid the cost of a service call...

Air purifier will not run

■ **Check the following:**

Is the air purifier turned on?

Is the power cord plugged into a grounded 3 prong outlet?
Has a household fuse blown, or has a circuit breaker tripped?
Replace the fuse or reset the circuit breaker. If the problem continues, call an electrician.

Was a regular fuse used? Use a time-delay fuse or time-delay circuit breaker.

ASSISTANCE OR SERVICE

Before calling for assistance or service, please check "Troubleshooting." It may save you the cost of a service call. If you still need help, follow the instructions below.

When calling, please know the purchase date and the complete model and serial number of your appliance. This information will help us to better respond to your request.

In the U.S.A. and Canada

Call the Customer Service Center toll free: **1-888-962-6245**.

Our consultants provide assistance with:

- Features and specifications on our full line of appliances.
- Installation information.
- Use and maintenance procedures.
- Accessory and repair parts sales.
- Specialized customer assistance (Spanish speaking, hearing impaired, limited vision, etc.).
- Referrals to local dealers, repair parts distributors and service companies. Designated service technicians are trained to fulfill the product warranty and provide after-warranty service, anywhere in the United States and Canada.

To locate the designated service company in your area, you can also look in your telephone directory Yellow Pages.

For further assistance

If you need further assistance, you can write to Master Brands HK Limited with any questions or concerns at:

Master Brands HK Limited
c/o CCRG Teleservices
4240 Ridge Lea Road, Ste. 29
Amherst, NY 14226

Please include a daytime phone number in your correspondence.

Replacement Filters

Replacement filters may be ordered by calling our Customer Service Center at **1-888-962-6245**.

You may also visit our website www.maytagairpurifiers.com.

NOTE: This information is also located on the HEPA filter for your convenience.

Air Purifier Model Number	HEPA Filter Replacement Part Number	Pre-Filter Replacement Part Number
MAPG45109W	6887446	2558666

Seal of Silence 30-Day Money-Back Guarantee

For 30 days from the date of purchase, if you are not completely satisfied that your new Maytag™ air purifier is quieter than your previous high-efficiency air purifier, Master Brands HK Limited will take it back and refund the full purchase price to you. (Finance and shipping charges are not included.) Contact the Customer Service Center toll-free at **1-888-962-6245** for money-back guarantee procedures.

MANUFACTURER'S FIVE-YEAR LIMITED WARRANTY

ONE YEAR LIMITED WARRANTY

For one year from the date of purchase, if the air purifier fails when operated and maintained according to instructions attached to or furnished with the product, Master Brands HK Limited will repair or, at our option, replace your air purifier. Your replacement unit is covered by our one year limited warranty. This warranty does not cover the replacement HEPA (High Efficiency Particulate Air) filter or pre-filter. Use of a non-Maytag filter or failure to replace the filter regularly will invalidate this warranty. Keep this book and your sales receipt together for future reference. You must provide proof of purchase or installation date for in-warranty service.

SECOND THROUGH FIFTH YEAR LIMITED WARRANTY ON AIR PURIFIER MOTOR

For five years from the date of purchase, if the air purifier motor fails when operated and maintained according to instructions attached to or furnished with the product, Master Brands HK Limited will repair or, at our option, replace your air purifier.

Master Brands HK Limited will not pay for:

1. Service calls to instruct you on how to use your air purifier, to replace house fuses or correct house wiring or reset circuit breakers, or to replace owner accessible air filters.
 2. Replacement when your air purifier is used in other than normal, single-family household use.
 3. Damage resulting from accident, alteration, misuse, abuse, fire, floods, acts of God, improper installation, installation not in accordance with local electrical codes, or use of products not approved by Master Brands HK Limited.
 4. Replacement parts, repair labor costs and/or replacement of a "failed" air purifier for units operated outside the United States and Canada.
 5. Repairs to parts or systems resulting from unauthorized modifications made to the appliance.
 6. Shipping or freight charges to return products for warranty service to Master Brands HK Limited.
 7. Damage resulting from improper packing of products returned for warranty service.
-

If you reside in the United States or Canada and your Maytag™ air purifier should fail within the first year of ownership or the motor fails in the second through fifth year:

1. Call our Customer Service Center at **1-888-962-6245** (toll-free).
 2. Give the consultant your complete model and serial numbers.
 3. The consultant will identify the designated service center nearest your location.
 4. You will be responsible for insurance and freight or other transportation to our service center. Please include your name and address on a piece of paper along with a copy of the proof of purchase (register receipt, credit card charge slip, etc.). The air purifier should be properly packaged to avoid damage in transit since we will not be responsible for any such damage.
 5. Master Brands HK Limited will return the repaired unit, or at our option, an identical or comparable air purifier to your door free of charge.
-

MASTER BRANDS HK LIMITED SHALL NOT BE LIABLE FOR INCIDENTAL OR CONSEQUENTIAL DAMAGES.

Some states and provinces do not allow the exclusion or limitation of incidental or consequential damages, so this exclusion or limitation may not apply to you. This warranty gives you specific legal rights and you may also have other rights which vary from state to state and province to province.

Outside the 50 United States and Canada, this warranty does not apply. Contact your authorized dealer to determine if another warranty applies.

If you need service, first see "Troubleshooting." Additional help can be found by checking "Assistance or Service," or by calling our Customer Service Center at **1-888-962-6245**, from anywhere in the U.S.A. and Canada, or write: Master Brands HK Limited, c/o CCRG Teleservices, 4240 Ridge Lea Road, Ste. 29, Amherst, NY 14226.

Keep this book and your sales slip together for future reference. You must provide proof of purchase or installation date for in-warranty service.

Write down the following information about your air purifier to better help you obtain assistance or service if you ever need it. You will need to know your complete model number and serial number. The model and serial number label is located on the bottom of your air purifier.

Dealer name _____
Address _____
Phone number _____
Model number _____
Serial number _____
Purchase date _____

SEGURIDAD DEL PURIFICADOR DE AIRE

Su seguridad y la seguridad de los demás es muy importante.

Hemos incluido muchos mensajes importantes de seguridad en este manual y en su electrodoméstico. Lea y obedezca siempre todos los mensajes de seguridad.



Este es el símbolo de advertencia de seguridad.

Este símbolo le llama la atención sobre peligros potenciales que pueden ocasionar la muerte o una lesión a usted y a los demás.

Todos los mensajes de seguridad irán a continuación del símbolo de advertencia de seguridad y de la palabra "PELIGRO" o "ADVERTENCIA". Estas palabras significan:

 **PELIGRO**

Si no sigue las instrucciones de inmediato, usted puede morir o sufrir una lesión grave.

 **ADVERTENCIA**

Si no sigue las instrucciones, usted puede morir o sufrir una lesión grave.

Todos los mensajes de seguridad le dirán el peligro potencial, le dirán cómo reducir las posibilidades de sufrir una lesión y lo que puede suceder si no se siguen las instrucciones.

INSTRUCCIONES IMPORTANTES DE SEGURIDAD

ADVERTENCIA: A fin de reducir el riesgo de incendio o de choque eléctrico, no use el purificador de aire con ningún dispositivo semiconductor para el control de la velocidad.

ADVERTENCIA: A fin de reducir el riesgo de incendio, de choque eléctrico o de daños personales, no use en una ventana.

Desenchufe el purificador de aire antes de darle servicio.

LEA Y GUARDE ESTAS INSTRUCCIONES

REQUISITOS DE INSTALACIÓN

Requisitos eléctricos

⚠ ADVERTENCIA



Peligro de Choque Eléctrico

Conecte a un contacto de pared de conexión a tierra de 3 terminales.

No quite la terminal de conexión a tierra.

No use un adaptador.

No use un cable eléctrico de extensión.

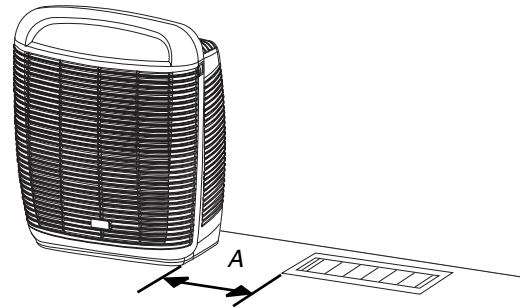
No seguir estas instrucciones puede ocasionar la muerte, incendio o choque eléctrico.

Conexión eléctrica

Para instalar el purificador de aire debidamente, debe determinar el tipo de conexión eléctrica que usará y seguir las instrucciones que se proveen aquí.

- El purificador de aire deberá conectarse en un contacto con conexión a tierra de 3 terminales, de 115 Voltios, 60 Hz, con fusibles de 15 ó 20 amperios.
- Se recomienda usar un fusible o un cortacircuitos retardador.

Requisitos de ubicación

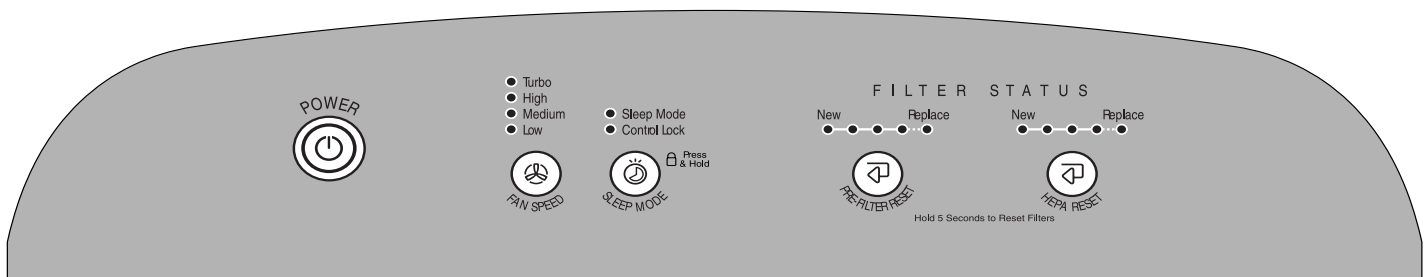


A. Espacio mínimo de 6" (15,2 cm)

- Necesitará una superficie nivelada de por lo menos 6" (15,2 cm) de distancia de fuentes térmicas como estufas o unidades de calefacción.
- No bloquee los orificios de aire ni coloque el purificador de aire sobre una superficie suave como una cama o un sofá.
- Haga funcionar este producto solamente adentro.

USO DEL PURIFICADOR DE AIRE

NOTA: Antes de poner a funcionar el purificador de aire, anote la fecha de instalación en el filtro HEPA. En condiciones normales, el filtro HEPA debería ser reemplazado anualmente mientras que el prefiltro debería reemplazarse cada 3 meses. Para quitar y volver a colocar cualquiera de los filtros, vea "Reemplazo de los filtros" en la sección "Cuidado del purificador de aire".



⚠️ ADVERTENCIA



Peligro de Choque Eléctrico

Conecte a un contacto de pared de conexión a tierra de 3 terminales.

No quite la terminal de conexión a tierra.

No use un adaptador.

No use un cable eléctrico de extensión.

No seguir estas instrucciones puede ocasionar la muerte, incendio o choque eléctrico.

1. Conecte a un contacto de pared de conexión a tierra de 3 terminales.
2. Presione POWER (Encendido) para poner el purificador de aire en marcha, y la luz indicadora se enciende.
3. Presione POWER para detener el purificador de aire y la luz indicadora se apaga.

Fan Speed (Velocidad del ventilador)

Presione FAN SPEED hasta que se encienda la luz indicadora de la velocidad deseada.

Velocidad del ventilador	Resultado
---------------------------------	------------------

Low (Baja)	Mejor sonido del producto
Medium (Media)	Poder de limpieza más lento
High (Alta)	Poder de limpieza moderado
Turbo	Poder de limpieza máximo

Sleep Mode (Modo de dormir)

Presione SLEEP MODE para fijar. El modo de sueño funciona en la velocidad del ventilador baja durante 8 horas y luego vuelve al ajuste previamente seleccionado. Para quitar el modo de dormir antes de que transcurran las 8 horas, presione SLEEP MODE, FAN SPEED o POWER.

Control Lock (Bloqueo del control)

El bloqueo del control bloquea los controles para evitar que los ajustes se cambien accidentalmente cuando el purificador de aire está encendido o apagado.

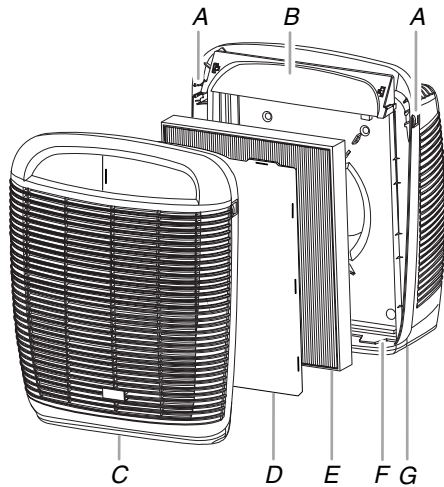
1. Presione y sostenga SLEEP MODE por 5 segundos para bloquear. La luz indicadora de Bloqueo del control se enciende. (No se puede hacer ninguna selección.)
2. Presione SLEEP MODE por 5 segundos para desbloquear. La luz indicadora de Bloqueo del control se apaga. Ahora se pueden hacer selecciones y se puede encender o apagar la unidad.

Luces de estado del filtro

Las luces de estado del prefiltro y del filtro HEPA le ayudarán a saber cuándo cambiar los filtros. Las luces verdes de estado cambiarán de New (Nuevo) a Replace (Reemplazar) en los intervalos preestablecidos. Cuando la luz roja de Replace (Reemplazar) esté destellando, cambie el filtro como se indica. Vea "Reemplazo de los filtros" en la sección "Cuidado del purificador de aire".

CUIDADO DEL PURIFICADOR DE AIRE

Limpeza



A. Lengüetas de liberación D. Prefiltro F. Ranura inferior
B. Controles E. Filtro HEPA G. Ensamblaje de la unidad central
C. Rejilla frontal

1. Presione POWER (Encendido) para apagar el purificador de aire.
2. Desenchufe el purificador de aire o desconecte el suministro de energía.
3. Coloque los dedos en las lengüetas de liberación delanteras. Empuje suavemente las lengüetas hacia adentro y jale la rejilla frontal hacia adelante para quitarla.
4. Quite ambos filtros y déjelos a un lado. No intente lavar y volver a usar ni el filtro HEPA ni el prefiltro.
5. Limpie el purificador de aire con un paño suave y húmedo.
6. Lave cuidadosamente la rejilla frontal en agua jabonosa.
NOTA: La rejilla no es resistente a la lavavajillas.
7. Vuelva a ensamblar los filtros como se muestra en la ilustración previa.
8. Coloque las lengüetas inferiores de la rejilla frontal en las ranuras que se encuentran en la base del purificador de aire. Empuje la parte superior de la rejilla hacia delante hasta que ésta encaje en su lugar.
9. Enchufe el purificador de aire o reconecte el suministro de energía.
10. Presione POWER (Encendido) para encender el purificador de aire.

Reemplazo de los filtros

NOTA: Las luces indicadoras de los filtros encima del purificador de aire se iluminarán cuando llegue el momento de cambiar el prefiltro o el filtro HEPA. Para un funcionamiento más eficiente de su purificador de aire, en condiciones normales se recomienda que reemplace el prefiltro cada 3 meses y el filtro HEPA cada año. Consulte "Filtros de repuesto" en la sección "Ayuda o servicio técnico". El uso de un filtro que no sea de Maytag o el no reemplazar el filtro regularmente anulará esta garantía.

1. Presione POWER (Encendido) para apagar el purificador de aire.
2. Desenchufe el purificador de aire o desconecte el suministro de energía.
3. Coloque los dedos en las lengüetas de liberación delanteras. Empuje suavemente las lengüetas hacia adentro y jale la rejilla delantera hacia adelante para quitarla.
4. Quite y reemplace el filtro indicado. Instale el nuevo filtro HEPA en la misma dirección que se muestra la flecha ubicada en el marco del filtro. Instale el nuevo prefiltro colocándolo sobre las lengüetas.

NOTA: No intente lavar y volver a usar ni el filtro HEPA ni el prefiltro.

5. Coloque las lengüetas inferiores de la rejilla delantera dentro de las ranuras en la base del purificador de aire. Empuje la parte superior de la rejilla hacia adelante hasta que ésta encaje en su lugar.
6. Enchufe el purificador de aire o reconecte el suministro de energía.
7. Presione POWER (Encendido) para encender el purificador de aire.
8. Presione el botón PRE-FILTER RESET (Reajuste del prefiltro) o HEPA RESET (Reajuste del filtro HEPA) por 5 segundos para apagar la(s) luz (luces) indicadora(s) del filtro y volver a fijar el temporizador.

SOLUCIÓN DE PROBLEMAS

Primero, pruebe las soluciones aquí sugeridas y quizás se ahorre el costo de una visita de servicio técnico...

El purificador de aire no funciona

■ Revise lo siguiente:

- ¿Está encendido el purificador de aire?
- ¿Está el cable eléctrico enchufado en un tomacorriente de tres terminales conectado a tierra?

¿Hay un fusible de la casa fundido o se disparó un cortacircuitos? Reemplace el fusible o reposicione el cortacircuitos. Si el problema continúa, llame a un electricista.

¿Se usó un fusible común? Use un fusible o un cortacircuitos retardador.

AYUDA O SERVICIO TÉCNICO

Antes de solicitar ayuda o servicio técnico, por favor consulte la sección "Solución de problemas". Esto le podría ahorrar el costo de una visita de servicio técnico. Si considera que aún necesita ayuda, siga las instrucciones que aparecen a continuación.

Cuando llame, tenga a mano la fecha de compra y el número completo del modelo y de la serie de su electrodoméstico. Esta información nos ayudará a atender mejor a su pedido.

En los EE.UU. y Canadá

Llame al Centro para el servicio del cliente sin costo alguno al: **1-888-962-6245**.

Nuestros consultores ofrecen asistencia con respecto a:

- Características y especificaciones de nuestra línea completa de electrodomésticos.
- Información sobre instalación.
- Procedimiento para el uso y mantenimiento.
- Venta de accesorios y piezas para reparación.
- Asistencia especializada para el cliente (habla hispana, problemas de audición, visión limitada, etc.).
- Recomendaciones con distribuidores locales, compañías que dan servicio y distribuidores de partes para reparación. Los técnicos de servicio designados están entrenados para cumplir con la garantía del producto y ofrecer servicio una vez que la garantía termine, en cualquier lugar de los Estados Unidos y Canadá.

Para localizar a una compañía de servicio designada en su área, también puede consultar la sección amarilla de su guía telefónica.

Para obtener más asistencia

Si necesita asistencia adicional, puede escribir a Master Brands HK Limited con sus preguntas o dudas a:

Master Brands HK Limited
c/o CCRG Teleservices
4240 Ridge Lea Road, Ste. 29
Amherst, NY 14226

Favor de incluir un número telefónico de día en su correspondencia.

Filtros de repuesto

Para pedir filtros de repuesto, llame a nuestro Centro para el servicio del cliente al **1-888-962-6245**.

También puede visitar nuestro sitio de Internet: www.maytagairpurifiers.com.

NOTA: Para su conveniencia, esta información también está ubicada en el filtro HEPA.

Purificador de aire Modelo No.	Filtro HEPA Pieza de repuesto No.	Prefiltro Pieza de repuesto No.
MAPG45109W	6887446	2558666

Garantía de silencio de 30 días o el reembolso de su dinero

Por 30 días a partir de la fecha de compra, si su nuevo purificador de aire de Maytag™ no le resulta más silencioso que su antiguo purificador de aire de alto rendimiento, Master Brands HK Limited lo recibirá de vuelta y le reembolsará a usted el precio total de la compra (no se incluyen los gastos de financiamiento y envío). Llame sin costo al Centro para el servicio del cliente al **1-888-962-6245** para los trámites de garantía de reembolso de dinero.

GARANTÍA LIMITADA DE CINCO AÑOS DEL FABRICANTE

GARANTÍA LIMITADA DE UN AÑO

Por un año a partir de la fecha de compra, si el purificador de aire falla mientras haya sido operado y mantenido según las instrucciones adjuntas o provistas con el producto, Master Brands HK Limited reparará o, según nuestra opción, reemplazará su purificador de aire. La unidad de reemplazo está cubierta por nuestra garantía limitada de un año. Esta garantía no se aplica al filtro HEPA (Aire particulado altamente eficaz) ni al prefiltro de repuesto. El uso de un filtro que no sea de Maytag o el no cambiar el filtro regularmente anulará esta garantía. Guarde este libro y su comprobante de compra juntos para referencia futura. Usted deberá proporcionar el comprobante de la compra o una fecha de instalación para obtener servicio bajo la garantía.

GARANTÍA LIMITADA DEL SEGUNDO AL QUINTO AÑO EN EL MOTOR DEL PURIFICADOR DE AIRE

Por cinco años a partir de la fecha de compra, si el motor del purificador de aire falla mientras haya sido operado y mantenido según las instrucciones adjuntas o provistas con el producto, Master Brands HK Limited reparará o, según nuestra opción, reemplazará su purificador de aire.

Master Brands HK Limited no se hará cargo de:

1. Visitas de servicio técnico para enseñarle a usar el purificador de aire, cambiar los fusibles de la casa, corregir el cableado de la casa, volver a fijar los cortacircuitos o cambiar los filtros de aire que estén al alcance del propietario.
2. Reemplazo cuando se haya dado al purificador de aire un uso diferente al doméstico normal de una sola familia.
3. Daños causados por accidente, alteración, uso indebido, abuso, incendio, inundación, actos fortuitos, instalación incorrecta, instalación que no esté de acuerdo con los códigos locales de electricidad o el empleo de productos no aprobados por Master Brands HK Limited.
4. Las piezas de repuesto, del gasto del trabajo de reparación y/o el reemplazo del purificador de aire "defectuoso" para unidades utilizadas fuera de los Estados Unidos y Canadá.
5. Reparaciones de piezas o sistemas como resultado de modificaciones no autorizadas que se hayan efectuado en el electrodoméstico.
6. Costo de envío o flete para devolver productos para servicio bajo la garantía a Master Brands HK Limited.
7. Daños causados por una manipulación inadecuada de los productos devueltos para servicio bajo la garantía.

Si usted reside en los Estados Unidos y Canadá y su purificador de aire de Maytag™ falla durante el primer año de adquisición o el motor falla durante el segundo al quinto año:

1. Llame a nuestro Centro para el servicio del cliente al **1-888-962-6245** (gratuito).
2. Dé al asesor el número completo del modelo y de la serie.
3. El asesor identificará el centro de servicio técnico designado más cercano a su domicilio.
4. Usted se deberá hacer cargo del seguro y flete u otro transporte hasta nuestro centro de servicio técnico. Sírvase incluir su nombre y domicilio en un papel junto con la copia del comprobante de compra (recibo de registradora, comprobante de pago con tarjeta de crédito, etc.). El purificador de aire debe estar debidamente empaquetado para que no se dañe durante el transporte dado que no nos haremos cargo de ningún daño producido de esa manera.
5. Master Brands HK Limited le entregará la unidad reparada o, según nuestra opción, un purificador de aire idéntico o comparable en su domicilio libre de cargo.

MASTER BRANDS HK LIMITED NO SE HARÁ RESPONSABLE POR DAÑOS INCIDENTALES O CONSECUENTES.

Algunos estados no permiten la exclusión o limitación de daños incidentales o consecuentes, de modo que esta exclusión o limitación quizás no le corresponda. Esta garantía le otorga derechos legales específicos y es posible que usted tenga también otros derechos que pueden variar de un estado a otro.

Esta garantía no tiene vigor fuera de los cincuenta Estados Unidos y Canadá. Póngase en contacto con el distribuidor autorizado para determinar si corresponde otra garantía.

Si necesita servicio técnico, vea primero la sección "Solución de problemas". Puede encontrar ayuda adicional en la sección "Ayuda o servicio técnico," o al llamar a nuestro Centro el servicio al cliente al **1-888-962-6245** desde cualquier lugar de los EE.UU. y Canadá o escriba a: Master Brands HK Limited, c/o CCRG Teleservices, 4240 Ridge Lea Road, Amherst, NY 14226.

Guarde este libro y su comprobante de compras juntos para consulta futura. Para obtener el servicio de la garantía deberá proporcionar un comprobante de compra o la fecha de instalación del electrodoméstico.

Anote la siguiente información acerca de su purificador de aire para facilitar la obtención de asistencia o servicio si llegara a necesitarlo. Usted tendrá que saber el número completo del modelo y de la serie. La etiqueta con el número de modelo y de serie está ubicada en la parte inferior de su purificador de aire.

Nombre del distribuidor _____

Dirección _____

Número de teléfono _____

Número del modelo _____

Número de la serie _____

Fecha de compra _____

SÉCURITÉ DU PURIFICATEUR D'AIR

Votre sécurité et celle des autres est très importante.

Nous donnons de nombreux messages de sécurité importants dans ce manuel et sur votre appareil ménager. Assurez-vous de toujours lire tous les messages de sécurité et de vous y conformer.



Voici le symbole d'alerte de sécurité.

Ce symbole d'alerte de sécurité vous signale les dangers potentiels de décès et de blessures graves à vous et à d'autres.

Tous les messages de sécurité suivront le symbole d'alerte de sécurité et le mot "DANGER" ou "AVERTISSEMENT". Ces mots signifient :

⚠ DANGER

Risque possible de décès ou de blessure grave si vous ne suivez pas immédiatement les instructions.

⚠ AVERTISSEMENT

Risque possible de décès ou de blessure grave si vous ne suivez pas les instructions.

Tous les messages de sécurité vous diront quel est le danger potentiel et vous disent comment réduire le risque de blessure et ce qui peut se produire en cas de non-respect des instructions.

IMPORTANTES INSTRUCTIONS DE SÉCURITÉ

AVERTISSEMENT : Pour réduire le risque d'incendie ou de choc électrique, ne pas utiliser le purificateur d'air avec tout appareil à commande de vitesse transistorisée.

AVERTISSEMENT : Pour réduire le risque d'incendie ou de choc électrique et de blessure corporelle, ne pas utiliser dans une fenêtre.

Débrancher le purificateur d'air avant de procéder à l'entretien.

LIRE ET CONSERVER CES INSTRUCTIONS

SPÉCIFICATIONS D'INSTALLATION

Spécifications électriques

⚠️ AVERTISSEMENT



Risque de choc électrique

Brancher sur une prise à 3 alvéoles reliée à la terre.

Ne pas enlever la broche de liaison à la terre.

Ne pas utiliser un adaptateur.

Ne pas utiliser un câble de rallonge.

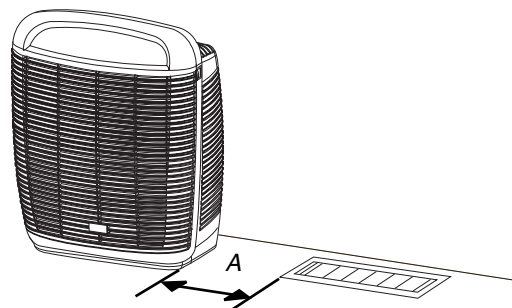
Le non-respect de ces instructions peut causer un décès, un incendie ou un choc électrique.

Raccordement électrique

Pour installer correctement votre purificateur d'air, vous devez déterminer le type de raccordement électrique que vous utiliserez et suivre les instructions fournies ici.

- Le purificateur d'air doit être raccordé à une prise à trois alvéoles de 115 V, 60 Hz, 15 ou 20 ampères, protégée par fusible et reliée à la terre.
- On recommande l'emploi d'un disjoncteur ou fusible temporisé.

Exigences d'emplacement

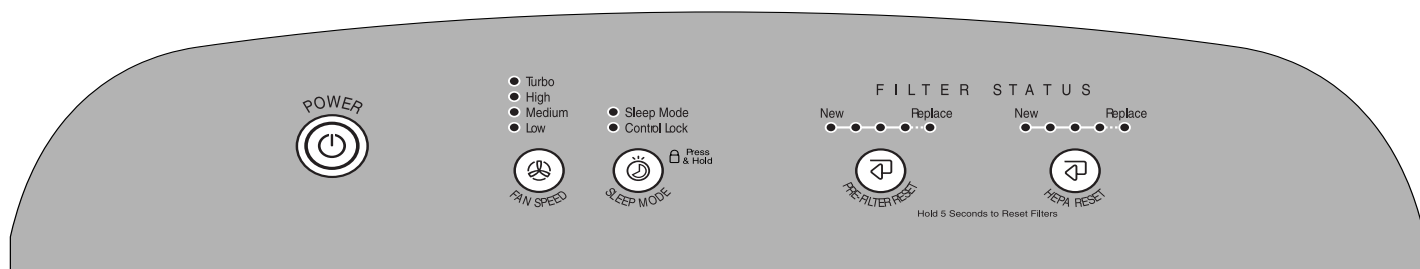


A. Dégagement minimum de 6" (15,2 cm)

- Placer le purificateur d'air sur une surface plane à au moins 6" (15,2 cm) de sources de chaleur telles que cuisinières ou chauffeuses.
- Ne pas bloquer les événements ni placer le purificateur d'air sur une surface molle telle qu'un lit ou un canapé.
- Ce produit est conçu pour utilisation à l'intérieur seulement.

UTILISATION DU PURIFICATEUR D'AIR

REMARQUE : Avant de faire fonctionner le purificateur d'air, inscrire la date d'installation sur le filtre HEPA. Dans des conditions normales, le filtre HEPA doit être remplacé chaque année et le préfiltre doit être remplacé tous les 3 mois. Pour retirer et remplacer un des filtres, voir "Remplacement du filtre" dans la section "Entretien du purificateur d'air".



⚠ AVERTISSEMENT



Risque de choc électrique

Brancher sur une prise à 3 alvéoles reliée à la terre.

Ne pas enlever la broche de liaison à la terre.

Ne pas utiliser un adaptateur.

Ne pas utiliser un câble de rallonge.

Le non-respect de ces instructions peut causer un décès, un incendie ou un choc électrique.

1. Brancher sur une prise à 3 alvéoles reliée à la terre.
2. Appuyer sur POWER (mise sous tension) pour mettre le purificateur d'air en marche. Un témoin lumineux s'allume.
3. Appuyer sur POWER pour arrêter le purificateur d'air. Le témoin lumineux s'éteint.

Fan Speed (vitesse du ventilateur)

Appuyer sur FAN SPEED jusqu'à ce que le témoin lumineux s'allume pour la vitesse désirée.

Vitesse du ventilateur	Résultat
Low (basse)	Niveau sonore idéal
Medium (modérée)	Puissance d'épuration plus basse
High (élevée)	Puissance d'épuration modérée
Turbo	Puissance d'épuration maximale

Sleep Mode (mode de veille)

Pour l'activation, appuyer sur SLEEP MODE. Au mode de veille, le ventilateur fonctionne pendant 8 heures à la vitesse basse et reprend ensuite la vitesse précédemment sélectionnée. Pour quitter ce mode avant 8 heures, appuyer sur SLEEP MODE, FAN SPEED ou POWER.

Control Lock (verrouillage des commandes)

La fonction de verrouillage des commandes empêche une modification accidentelle du réglage des commandes lorsque le purificateur d'air est en marche ou arrêté.

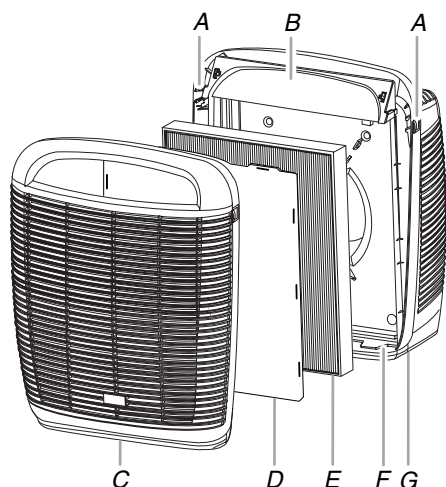
1. Appuyer pendant 5 secondes sur la touche SLEEP MODE pour le verrouillage. Le témoin lumineux de verrouillage des commandes s'allume. On ne peut ensuite faire aucune sélection.)
2. Appuyer pendant 5 secondes sur la touche SLEEP MODE pour le déverrouillage. Le témoin lumineux de verrouillage des commandes s'éteint. On peut alors introduire des sélections et commander la mise en marche et l'arrêt de l'appareil.

Témoins lumineux du statut des filtres

Les témoins du statut pour le préfiltre et le filtre HEPA permettent d'identifier s'il convient de changer un filtre. Le témoin de statut vert passe de New (neuf) à Replace (remplacement) selon un intervalle prédéfini. Lorsque le témoin rouge Replace clignote, remplacer le filtre selon les indications. Voir la section "Remplacement du filtre" dans la section "Entretien du purificateur d'air".

ENTRETIEN DU PURIFICATEUR D'AIR

Nettoyage



- A. Volets de dégagement
B. Commandes
C. Grille frontale
D. Préfiltre
E. Filtre HEPA
F. Fente inférieure
G. Châssis principal

1. Appuyer sur POWER (mise sous tension) pour éteindre le purificateur d'air.
2. Débrancher le purificateur d'air ou déconnecter la source de courant électrique.
3. Placer les doigts sur les volets de dégagement avant. Pousser les volets doucement vers l'intérieur, puis tirer la grille frontale vers l'avant pour l'extraire.
4. Retirer les deux filtres et les mettre de côté. Ne pas essayer de laver et de réutiliser le filtre HEPA ou le préfiltre.
5. Nettoyer le purificateur d'air avec un linge doux humide.
6. Laver soigneusement la grille frontale à l'eau savonneuse.
REMARQUE : La grille ne peut pas être lavée au lave-vaisselle.
7. Réassembler les filtres tel qu'indiqué sur l'illustration précédente.
8. Placer les volets inférieurs de la grille frontale dans les fentes inférieures de la base du purificateur d'air. Pousser le dessus de la grille vers l'avant jusqu'à ce que la grille s'emboîte.
9. Brancher le purificateur d'air ou reconnecter la source de courant électrique.
10. Appuyer sur POWER pour mettre le purificateur en marche.

Remplacement du filtre

REMARQUE : Les voyants situés sur le purificateur d'air s'allument lorsqu'il est temps de remplacer le préfiltre ou le filtre HEPA. Pour un fonctionnement optimal du purificateur d'air, dans des conditions normales, il est recommandé de remplacer le pré-filtre tous les 3 mois et le filtre HEPA chaque année. Voir "Filtres de rechange" dans la section "Assistance ou service". L'utilisation d'un filtre non fabriqué par Maytag ou le défaut de remplacement périodique du filtre entraînera l'annulation de la garantie.

1. Appuyer sur POWER pour éteindre le purificateur d'air.
2. Débrancher le purificateur d'air ou déconnecter la source de courant électrique.
3. Placer les doigts sur les volets de dégagement avant. Pousser les volets doucement vers l'intérieur, puis tirer la grille frontale vers l'avant pour l'extraire.
4. Retirer et remplacer le filtre signalé. Installer le nouveau filtre HEPA dans le sens de la flèche située sur le châssis du filtre. Installer le nouveau préfiltre en le plaçant sur les volets.

REMARQUE : Ne pas essayer de laver ou de réutiliser le filtre HEPA ou le préfiltre.

5. Placer les volets inférieurs de la grille frontale dans les fentes de la base du purificateur d'air. Pousser le dessus de la grille vers l'avant jusqu'à ce que la grille vers l'avant s'emboîte.
6. Brancher le purificateur d'air ou reconnecter la source de courant électrique.
7. Appuyer sur POWER pour mettre le purificateur d'air en marche.
8. Appuyer sur le bouton PRE-FILTER RESET (réinitialisation du préfiltre) ou HEPA RESET (réinitialisation du filtre HEPA) pendant 5 secondes pour éteindre le(s) voyant(s), puis régler à nouveau la minuterie.

DÉPANNAGE

Essayer d'abord les solutions suggérées ici, ce qui vous évitera peut-être le coût d'une visite de service...

Le purificateur d'air ne fonctionne pas

■ Vérifier ce qui suit :

- Le purificateur d'air est-il allumé?
- Le cordon d'alimentation est-il branché dans une prise à 3 alvéoles reliée à la terre?

Un fusible est-il grillé ou le disjoncteur s'est-il déclenché? Remplacer le fusible ou réenclencher le disjoncteur. Si le problème persiste, appeler un électricien.

A-t-on utilisé un fusible ordinaire? Utiliser un fusible temporisé ou un disjoncteur.

ASSISTANCE OU SERVICE

Avant de faire un appel pour assistance ou service, veuillez vérifier "Dépannage". Cette vérification peut vous faire économiser le coût d'une visite de service. Si vous avez encore besoin d'aide, suivre les instructions ci-dessous.

Lors d'un appel, veuillez connaître la date d'achat et les numéros au complet de modèle et de série de votre appareil. Ces renseignements nous aideront à mieux répondre à votre demande.

Aux États-Unis et au Canada

Téléphoner au Centre de service à la clientèle sans frais d'interurbain au : **1-888-962-6245**.

Pour localiser la compagnie de service désignée dans votre région, vous pouvez aussi consulter les Pages jaunes de l'annuaire téléphonique.

Nos consultants sont prêts à vous aider pour les questions suivantes :

- Caractéristiques et spécifications sur toute notre gamme d'appareils électroménagers.
- Renseignements d'installation.
- Procédés d'utilisation et d'entretien.
- Vente de pièces de rechange et d'accessoires.
- Assistance spécialisée aux consommateurs (langue espagnole, malentendants, malvoyants, etc.).
- Références aux marchands locaux, distributeurs de pièces de rechange et compagnies de service. Les techniciens de service désignés sont formés pour effectuer les travaux de réparation sous garantie et le service après la garantie, partout aux États-Unis et Canada.

Pour plus d'assistance

Si vous avez besoin de plus d'assistance, vous pouvez soumettre par écrit toute question ou préoccupation à Master Brands HK Limited à l'adresse suivante :

Master Brands HK Limited
c/o CCRG Teleservices
4240 Ridge Lea Road, Ste. 29
Amherst, NY 14226

Dans votre correspondance veuillez indiquer un numéro de téléphone où on peut vous joindre dans la journée.

Filtres de rechange

Vous pouvez commander des filtres de rechange en communiquant sans frais avec notre Centre de service à la clientèle au **1-888-962-6245**.

Vous pouvez également visiter notre site Web www.maytagairpurifiers.com.

REMARQUE : Cette information est également inscrite sur le filtre HEPA pour des raisons de commodité.

Purificateur N° du modèle	Filtre HEPA N° de la pièce de rechange	Préfiltre N° de la pièce de rechange
MAPG45109W	6887446	2558666

Garantie de silence de 30 jours ou argent remis

Pendant 30 jours à compter de la date d'achat, si vous n'êtes pas complètement satisfait(e) car votre nouveau purificateur d'air Maytag™ Whispure™ n'est pas plus silencieux que votre purificateur d'air haute efficacité précédent, Master Brands HK Limited le reprendra et vous remboursera le plein prix d'achat. (Frais de finance et d'expédition non inclus.) Contacter le Centre de service à la clientèle au numéro sans frais **1-888-962-6245** pour obtenir les directives à suivre pour la garantie de remboursement.

GARANTIE LIMITÉE DE CINQ ANS DU FABRICANT

GARANTIE LIMITÉE DE UN AN

Pendant un an à compter de la date d'achat, si le purificateur d'air tombe en panne alors qu'il est utilisé et entretenu conformément aux instructions jointes à ou fournies avec le produit, Master Brands HK Limited, à sa discrétion, réparera ou remplacera le purificateur d'air. L'appareil de remplacement sera couvert par notre garantie limitée de un an. Cette garantie ne couvre pas le filtre de remplacement HEPA (Haute efficacité—matières en suspension) ou le préfiltre au charbon actif. L'utilisation d'un filtre non fabriqué par Maytag ou le défaut de remplacement périodique du filtre entraînera l'annulation de la garantie. Conservez ce manuel et votre reçu de vente ensemble pour référence ultérieure. Pour le service sous garantie, vous devez présenter un document prouvant la date d'achat ou d'installation.

GARANTIE LIMITÉE DE LA DEUXIÈME À LA CINQUIÈME ANNÉE SUR LE MOTEUR DU PURIFICATEUR D'AIR

Pendant cinq ans à partir de la date d'achat, si le moteur du purificateur d'air tombe en panne alors qu'il est utilisé et entretenu conformément aux instructions jointes à ou fournies avec le produit, Master Brands HK Limited à sa discrétion, réparera ou remplacera le purificateur d'air.

Master Brands HK Limited ne prendra pas en charge :

1. Les visites de service pour donner des instructions concernant l'utilisation du purificateur d'air, remplacer des fusibles du domicile, rectifier le câblage du domicile, réenclencher les disjoncteurs ou remplacer les filtres à air accessibles du propriétaire.
2. Le remplacement lorsque votre purificateur d'air est utilisé autrement que dans le cadre d'une utilisation domestique normale, unifamiliale.
3. Les dommages causés par : accident, altération, mésusage, abus, incendie, inondation, actes de Dieu, installation incorrecte, installation non conforme aux codes locaux d'électricité, ou utilisation de produits non approuvés par Master Brands HK Limited.
4. Les frais de pièces de rechange et de main-d'oeuvre de réparation et/ou le remplacement d'un appareil "défaillant" pour les appareils utilisés en dehors des États-Unis ou du Canada.
5. Les réparations aux pièces ou systèmes résultant d'une modification non autorisée faite à l'appareil.
6. Les frais d'expédition ou de transport pour retourner des produits à Master Brands HK Limited pour le service sous garantie.
7. Les dommages résultant d'un emballage défectueux des produits retournés pour le service sous garantie.

Si vous résidez aux États-Unis ou Canada, et que votre purificateur d'air Maytag™ tombe en panne durant la première année ou si le moteur tombe en panne de la deuxième à la cinquième année inclusivement :

1. Appeler sans frais le Centre pour le service à la clientèle au **1-888-962-6245** (sans frais).
2. Indiquer au représentant les numéros complets de modèle et de série.
3. Le représentant localisera le centre de service désigné le plus près de chez vous.
4. L'assurance et le fret jusqu'à notre centre de service relèvent de votre responsabilité. Veuillez indiquer vos nom et adresse sur un morceau de papier avec une copie de votre preuve d'achat (reçu de caisse, bordereau d'achat, etc.). Le purificateur d'air doit être correctement emballé pour éviter tout dommage pendant le transport puisque nous ne pourrions être tenus responsables d'un tel dommage.
5. Master Brands HK Limited retournera à votre domicile l'appareil réparé ou, à sa discrétion, un purificateur d'air identique ou comparable, sans frais.

MASTER BRANDS HK LIMITED N'ASSUME AUCUNE RESPONSABILITÉ POUR LES DOMMAGES FORTUITS OU INDIRECTS.

Certains états et provinces ne permettent pas l'exclusion ou la limitation des dommages fortuits ou indirects de sorte que cette exclusion ou limitation peut ne pas être applicable dans votre cas. Cette garantie vous confère des droits juridiques spécifiques et vous pouvez également jouir d'autres droits qui peuvent varier d'un état ou d'une province à une autre.

À l'extérieur des 50 États des États-Unis et du Canada, cette garantie ne s'applique pas. Contacter votre marchand autorisé pour déterminer si une autre garantie s'applique.

Si vous avez besoin de service, consulter d'abord la section "Dépannage". On peut trouver de l'aide supplémentaire à la section "Assistance ou service" ou en téléphonant à notre Centre pour le service à la clientèle au **1-888-962-6245**, de n'importe où aux États-Unis et au Canada, ou écrire à : Master Brands HK Limited, c/o CCRG Teleservices, 4240 Ridge Lea Road, Amherst, NY 14226.

Conservez ce manuel et votre reçu de vente ensemble pour référence ultérieure. Pour le service sous garantie, vous devez présenter un document prouvant la date d'achat ou d'installation.

Inscrivez les renseignements suivants au sujet de votre purificateur d'air pour mieux vous aider à obtenir assistance ou service en cas de besoin. Vous devrez connaître le numéro de modèle et le numéro de série au complet. L'étiquette des numéros de modèle et de série est située au fond de votre purificateur d'air.

Nom du marchand _____

Adresse _____

Numéro de téléphone _____

Numéro de modèle _____

Numéro de série _____

Date d'achat _____

MT-AP510

© 2009
All rights reserved.
Todos los derechos reservados.
Tous droits réservés.

®Registered trademark/™ Trademark of Maytag Corporation or its related companies.
Manufactured under license by Master Brands HK Limited, Amherst, NY
® Marca registrada/™ Marca de comercio de Maytag Corporation o sus compañías asociadas.
Fabricado bajo licencia por Master Brands HK Limited, Amherst, NY
® Marque déposée/™ Marque de commerce de Whirlpool, U.S.A.
Fabriqué sous licence par Master Brands HK Limited, Amherst, NY

12/09
Printed in P.R.C.
Impreso en R.P.C.
Imprimé en R.P.C.

Free Manuals Download Website

<http://myh66.com>

<http://usermanuals.us>

<http://www.somanuals.com>

<http://www.4manuals.cc>

<http://www.manual-lib.com>

<http://www.404manual.com>

<http://www.luxmanual.com>

<http://aubethermostatmanual.com>

Golf course search by state

<http://golfingnear.com>

Email search by domain

<http://emailbydomain.com>

Auto manuals search

<http://auto.somanuals.com>

TV manuals search

<http://tv.somanuals.com>