




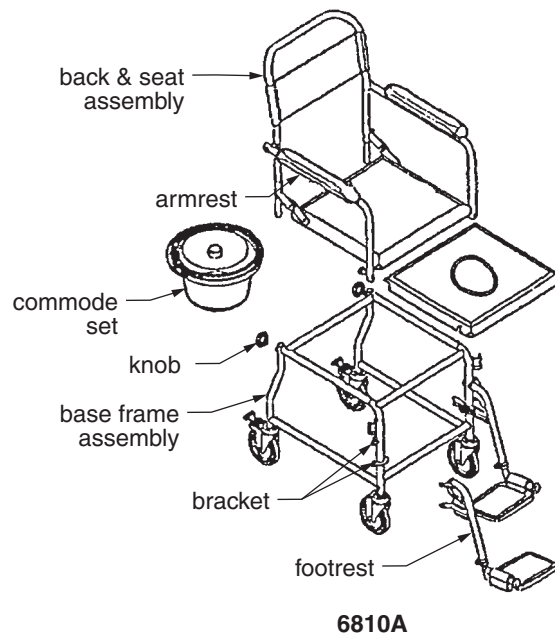
# 6810A: DROP ARM VERSAMODE (WITH COMMODOE PAIL) ASSEMBLY INSTRUCTIONS

-  **Warning: This product should not be used without proper instruction from a healthcare professional.**
-  **Warning: Lumex assumes no responsibility for any damage or injury caused by improper installation, assembly or use of this product.**
-  **Warning: If components are damaged or missing, contact your dealer immediately. DO NOT use substitute parts.**

## Assembly instructions (see picture at right)

1. Install back & seat assembly on base frame assembly.
2. Tighten and fix left and right knobs.
3. Install left and right armrests. Lock into place.
4. Install left and right footrests on base frame assembly brackets. Lock into place.
5. Slide the commode set under the seat set from back side.

-  **Warning: Ensure that all components are securely installed as described above before use.**



## WARRANTY

Lifetime limited warranty. For additional warranty information, please contact your Lumex dealer.

Graham-Field Health Products  
Atlanta, Georgia 30360



## Free Manuals Download Website

<http://myh66.com>

<http://usermanuals.us>

<http://www.somanuals.com>

<http://www.4manuals.cc>

<http://www.manual-lib.com>

<http://www.404manual.com>

<http://www.luxmanual.com>

<http://aubethermostatmanual.com>

Golf course search by state

<http://golfingnear.com>

Email search by domain

<http://emailbydomain.com>

Auto manuals search

<http://auto.somanuals.com>

TV manuals search

<http://tv.somanuals.com>