

LITTLE WONDER SHO

9502-00-01



MAN 4164249
Rev. A 5-2009

**Owners Manual and Safety Instructions for
SUBURBAN HIGH OUTPUT BLOWER
Manuel d'utilisation et consignes de sécurité pour la
SOUFFLANTE À GRAND DÉBIT SUBURBAN
Manual del propietario e instrucciones de seguridad para el
SOPLADOR 'SUBURBAN' DE ALTA CAPACIDAD**

TECHNICAL MANUAL

**CALIFORNIA
Proposition 65 Warning**

Diesel engine exhaust and some of its constituents are known to the State of California to cause cancer, birth defects and other reproductive harm.

 **WARNING**

The engine exhaust from this product contains chemicals known to the State of California to cause cancer, birth defects or other reproductive harm.

**Californie Proposition 65
Avertissement**

Les échappements des moteurs diesel et certains de leurs composés sont reconnus par l'Etat de Californie pour être cancérigènes, provoquer des défauts congénitaux et d'autres dangers en matière de reproduction.

 **AVERTISSEMENT**

L'émission du moteur de ce matériel contient des produits chimiques que l'Etat de Californie considère être cancérigènes, provoquer des défauts congénitaux et d'autres dangers en matière de reproduction.

**California Advertencia
de la Proposicion 65**

El estado de California hace saber que los gases de escape de los motores diesel y algunos de sus componentes producen cáncer, defectos de nacimiento y otros daños en el proceso de reproducción humana.

 **ADVERTENCIA**

El estado de California hace saber que los gases de escape de este producto contienen productos químicos que producen cáncer, defectos de nacimiento y otros daños en el proceso de reproducción humana.

**CALIFORNIA
Proposition 65 Warning**

Battery posts, terminals, wiring insulation, and related accessories contain lead and lead compounds, chemicals known to the State of California to cause cancer and birth defects or other reproductive harm.
WASH HANDS AFTER HANDLING.

IMPORTANT MESSAGE

On behalf of everyone at Little Wonder, we would like to thank you for your purchase of a Little Wonder Gasoline Powered Suburban High Output Blower. This professional blower was designed to the highest standards to ensure you many hours of uninterrupted service.

This manual provides the information necessary for safe and efficient operation and service. For your safety, it is critically important that you read and understand this entire manual before operating your blower.

LITTLE WONDER
SCHILLER GROUNDS CARE, INC.
1028 STREET ROAD, P.O. BOX 38
SOUTHAMPTON, PA 18966

TABLE OF CONTENTS	FIGURES	PAGE
SAFETY.....		4-7
ASSEMBLY		8
OPERATION.....		9
TORQUE SPECIFICATIONS		11
INTAKE GUARD ASSY	FIGURE 1	12
ENGINE ASSY	FIGURE 2	13
HOUSING ASSY	FIGURE 3	14

MANY USES:

The extreme versatility offered by Little Wonder's line of blowers makes them ideally suited for a wide variety of jobs; blowing leaves, grass clippings, thatch, blowing tennis courts dry, cleaning large driveways, stadiums, parking lots and other hard surfaces, precleaning roofs before repair and countless other jobs.



This Operator's Manual should be regarded as part of the machine. Suppliers of both new and second-hand machines must make sure that this manual is provided with the machine.

NOTICE !!!

Unauthorized modifications may present **extreme** safety hazards to operators and bystanders and could also result in product damage.

Schiller-Pfeiffer, Inc. strongly warns against, rejects and disclaims any modifications, add-on accessories or product alterations that are not designed, developed, tested and approved by Schiller-Pfeiffer, Inc. Engineering Department. Any Schiller-Pfeiffer, Inc. product that is altered, modified or changed in any manner not specifically authorized after original manufacture—including the addition of “after-market” accessories or component parts not specifically approved by Schiller-Pfeiffer, Inc.—will result in the Schiller-Pfeiffer, Inc. Warranty being voided.

Any and all liability for personal injury and/or property damage caused by any unauthorized modifications, add-on accessories or products not approved by Schiller-Pfeiffer, Inc. will be considered the responsibility of the individual(s) or company designing and/or making such changes. Schiller-Pfeiffer, Inc. will vigorously pursue full indemnification and costs from any party responsible for such unauthorized post-manufacture modifications and/or accessories should personal injury and/or property damage result.



This symbol means:
ATTENTION!
BECOME ALERT!

Your safety and the safety of others is involved.

Signal word definitions:

The signal words below are used to identify levels of hazard seriousness. These words appear in this manual and on the safety labels attached to Schiller-Pfeiffer, Inc. machines. For your safety and the safety of others, read and follow the information given with these signal words and/or the symbol shown above.

⚠ DANGER

DANGER indicates an imminently hazardous situation which, if not avoided, **WILL** result in death or serious injury.

⚠ WARNING

WARNING indicates a potentially hazardous situation which, if not avoided, **COULD** result in death or serious injury.

⚠ CAUTION

CAUTION indicates a potentially hazardous situation which, if not avoided, **MAY** result in minor or moderate injury. It may also be used to alert against unsafe practices or property damage.

CAUTION

CAUTION used without the safety alert symbol indicates a potentially hazardous situation which, if not avoided, **MAY** result in property damage.

SAFETY DECALS

An important part of the safety system incorporated in this blower are the warnings and informational decals found on various parts of the blower. These decals must be replaced if they become illegible due to abrasion, etc. It is your responsibility to replace the decals when they become hard to read. The location of these decals and their part numbers for ordering are shown below.

⚠ WARNING

IMPROPER USE OR CARE OF THIS BLOWER, OR FAILURE TO WEAR PROPER PROTECTION CAN RESULT IN SERIOUS INJURY.

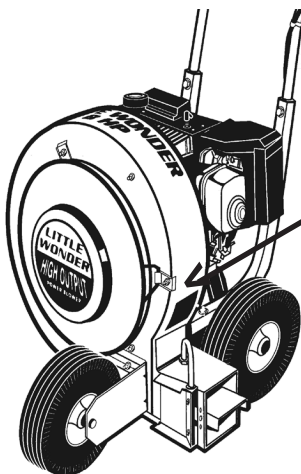
READ AND UNDERSTAND THE RULES FOR SAFE OPERATION AND ALL INSTRUCTIONS IN THIS MANUAL.

WEAR HEARING AND EYE PROTECTION.

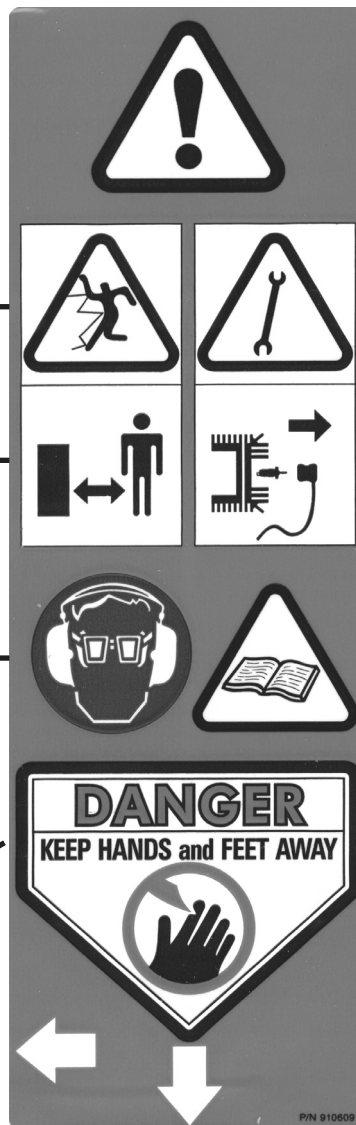
Caution:
Thrown objects.

Keep bystanders away.

Always wear eye and ear protection.



LOCATION OF LABEL ON BLOWER



Before performing any service or maintenance, disconnect spark plug wire. Make sure throttle is in STOP position.

Read and understand the owners manual. Pay particular attention to all sections regarding safety. Store your owners manual in a safe place.

Keep hands and feet away from air discharge areas. Rotating fan will cause serious injury.

PN 910609
Warning Label

GENERAL SAFETY RULES

Read and understand the owner's manual. Pay particular attention to all sections regarding safety. Store your owners manual in a safe place.

**WARNING**

KEEP CHILDREN, PETS, AND BYSTANDERS AWAY - DO NOT PERMIT CHILDREN TO CONTACT BLOWER. KEEP CHILDREN A SAFE DISTANCE FROM WORK AREA. NEVER ALLOW A PERSON MENTALLY ILL, UNDER INFLUENCE OF ALCOHOLIC DRINKS OR DRUGS OR TOO YOUNG IN AGE, TO OPERATE THE BLOWER

DON'T OVERREACH OR STAND ON UNSTABLE SUPPORT - Keep good footing and balance at all times.

MULTIPLE OPERATORS - Keep a safe distance between two or more operators when working together simultaneously.

WARNING

FAN COASTS AFTER TURN OFF

WARNING

IF BLOWER IS USED IMPROPERLY OR SAFETY PRECAUTIONS ARE NOT FOLLOWED, THE USER RISKS SERIOUS INJURY TO THEMSELVES AND OTHERS

READ AND UNDERSTAND THE FOLLOWING BEFORE ATTEMPTING TO OPERATE THIS BLOWER

Warnings - "Don'ts"**WARNING**

DANGER ROTATING FAN - KEEP HANDS AWAY. DON'T ATTEMPT TO REMOVE MATERIALS FROM INTAKE OR DISCHARGE WHEN BLOWER IS RUNNING

WARNING

DANGER - DO NOT INSTALL OR REMOVE ATTACHMENTS WHILE BLOWER IS RUNNING. TURN OFF ENGINE TO MAKE CHANGEOVER. BE SURE THROTTLE IS IN THE STOP POSITION, AND THE BLOWER HAS COME TO A COMPLETE STOP. REMOVE THE SPARK PLUG WIRE BEFORE REMOVING MATERIAL

DO NOT POINT THE BLOWER OUTLET in the direction of people, cars, glass, or other similar items which could be injured or damaged by blown debris.

DO NOT ATTEMPT TO REPAIR BLOWER - Have repairs made by a qualified Little Wonder dealer or repairman. See that only Little Wonder and recommended engine manufacturers replacement parts are used.

Warnings - "Do's"

DRESS PROPERLY — Do not wear loose clothing or jewelry. They can be caught in moving parts. Use of sturdy gloves, non-skid footwear and safety glasses are recommended. Always wear ear protectors where possible. Use face filter to avoid breathing dust.

STAY ALERT — Watch what you are doing and use common sense. Do not operate blower when fatigued.

KEEP HANDS AWAY FROM AIR INTAKE AND AIR OUTLET CHUTE — Keep both hands on handles when power is on.

MAINTAIN AND EXAMINE BLOWER WITH CARE — Follow maintenance instructions given in manual. Do not use the blower if the muffler is defective or missing.

STORE BLOWER INDOORS — When not in use, store blower indoors in a sheltered, dry area where it's not accessible to children. The blower, as well as fuel, should not be stored in a house. Keep throttle in the stop position.

BE SURE BLOWER IS FULLY ASSEMBLED — Never operate blower without all guards and deflectors in place. Ensure that all nuts, bolts, screws are installed and properly tightened.

KEEP THE THROTTLE IN THE “STOP” POSITION WHEN NOT IN USE.

Always keep a safe distance between two or more operators when working together simultaneously.

 **WARNING**

WARNING! IN ORDER TO AVOID ENGINE DAMAGE DUE TO OVER-HEATING OR OVERREVVING, KEEP ENGINE RECOIL STARTER ASSEMBLY, THE BLOWER INTAKE AND OUTLET AREAS CLEAR AND FREE OF LEAVES OR OTHER DEBRIS

Engine/ Fuel Warnings - “Don’ts”

 **WARNING**

HANDLE FUEL WITH CARE, IT IS HIGHLY FLAMMABLE. FUELING A HOT ENGINE OR NEAR AN IGNITION SOURCE CAN CAUSE FIRE AND RESULT IN SERIOUS PERSONAL INJURY AND/OR PROPERTY DAMAGE

Do not smoke while handling fuel.

Do not refuel a hot or running engine.

Do not fill tank indoors.

CAUTION — **Do not** start or run engine indoors as poisonous carbon monoxide is emitted.

Do not operate in unventilated area.

Do not use the blower when electric system causes spark outside the cylinder. Check spark plug from time to time. When checking, keep plug a safe distance from cylinder to avoid burning of evaporated fuel from cylinder.

Engine/ Fuel Warnings - “Do’s”

HANDLE GASOLINE WITH CARE. IT IS HIGHLY FLAMMABLE. Refuel before starting work.

Always use fresh gasoline. Stale gasoline can cause leakage.

Always pull starter cord slowly until resistance is felt. Then pull cord rapidly to avoid kick-back and prevent arm or hand injury.

Replace gasoline cap securely. If fuel is spilled move blower and fuel container from area and do not create a source of ignition.

Avoid spilling fuel or oil. Always wipe unit dry before using. Move at least 10 feet away from the fueling point before starting engine.

Always store gasoline in an approved container. Fill tank outdoors with extreme care.

Blower Assembly Instructions

NOTE : Refer to parts lists, and illustrations on Pages 14-17.

1. Install lower handles **15** on top of deck **17 & 18**. Secure with (4) cap screws 5/16-18 X 1-3/4 **19**, (4) 5/16 flat washers **16**, and (4) 5/16-18 nylon nuts **1**, finger tight. **(See Figure 2)**
2. Install upper handle **6** with (4) 5/16-18 X 1-3/4 cap screws **19**, (8) 5/16 washers **16**, and (4) 5/16-18 nylon nuts **1**, finger tight. Tighten lower handle nuts and bolts. Tighten upper handle nuts and bolts until the lower handle tubing pinches the upper handle. It will be normal for the lower handle tubing to crush slightly. **(See Figure 2)**
3. Attach brace **23** with (2) 5/16-18x2 cap screws **9**, (4) 5/16 washers **16**, and (2) 5/16-18 nylon nuts **1**. **(See Figure 2)**
4. Attach throttle cable **5** to upper handle **6** with (1) 1/4-20 X 1-3/4" cap screw **8** and (1) 1/4-20 locknut **10** through hole on upper handle **6** on the left handside. Connect throttle clip **4** to upper handle **(See Figure 2)**
5. Tilt blower back on handle and install front wheel bracket **17** over the three studs on lower front of blower housing **2**. Secure with (3) 5/16-18 flange nuts **1**. **(See Figure 3)**
6. Insert pneumatic wheel sleeve **19** in front pneumatic wheel **18**. Install pneumatic wheel spacers **20** over the axle sleeve on both sides of wheel and install in front wheel bracket **17**. Insert 3/8-16 X 5-1/2 axle bolt **16** through wheel bracket and axle sleeve. Secure with 3/8-16 axle nut **15**. **(See Figure 3)**

NOTE: Over tightening the screw on the left hand mounted controls could cause damage to the control.)

WARNING

ALL LITTLE WONDER BLOWER ENGINES ARE SHIPPED WITHOUT OIL. WHEN FILLING WITH OIL, USE SAE 30. REFER TO ENGINE MANUFACTURERS INSTRUCTION MANUAL FOR PROPER ENGINE OPERATION INSTRUCTIONS.

OPERATING INSTRUCTIONS

Refer to the engine manual for engine operation.

Little Wonder recommends using SAE 30 Oil. The use of multi-viscosity oil will result in high oil consumption and possible engine damage.

Leaves, thatch or other debris can be directed into windrows or piles, by simply maneuvering the unit and directing the flow of air accordingly.

Air flow can be directed to the side or front by the two-position deflector. The front discharge position is used to remove debris from along walls, fences, etc. The side discharge position is used to form windrows or piles. The horizontal deflector directs air downward to "chisel" under wet, heavy leaves and litter. Air velocity is regulated by the throttle control.

Moving the deflector to the upper hole allows for a greater volume of air to be directed downward. Moving the deflector to the lower hole allows for a greater volume of air to be directed upward. To reduce windrowing or to blow over an obstacle, point deflector upward.

Slight changes in deflector position will have a big effect on air flow. Experiment until you find the best position for your needs.

For best performance, be sure engine recoil starter assembly, the blower intake and outlet areas are always kept clear and free of leaves or other debris.

MAINTENANCE INSTRUCTIONS

Keep all nuts, bolts, and screws tight.

Never store the blower with fuel in its fuel tank inside a building or in a confined space where fumes may reach an open flame or sparks.

Always refer to the instruction manual for important details if the product is to be stored for an extended period.

Engine - 4 cycle. (Refer to engine manufacturer's operating instructions for fuel recommendations and additional information.)

Tires - Tubeless. Inflate to air pressure of 30 P.S.I.

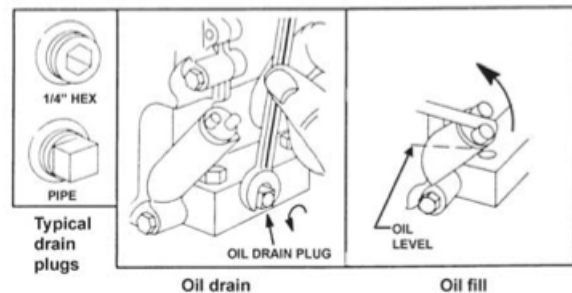
Labels should be inspected before each use. Replace damaged labels immediately.

Check oil level regularly

Be sure correct oil level is maintained. Check oil level after every 5 hours of operation, or daily, before starting engine. Use SAE 30 oil. Change oil after first 5 hours of operation. Remove drain plug and drain oil while engine is warm. Replace drain plug. Remove oil fill plug and refill with new oil. Start and run engine at idle for 30 seconds. Stop engine. Wait 30 seconds and re-check oil level. If required, add oil to overflowing at oil fill plug.

WARNING

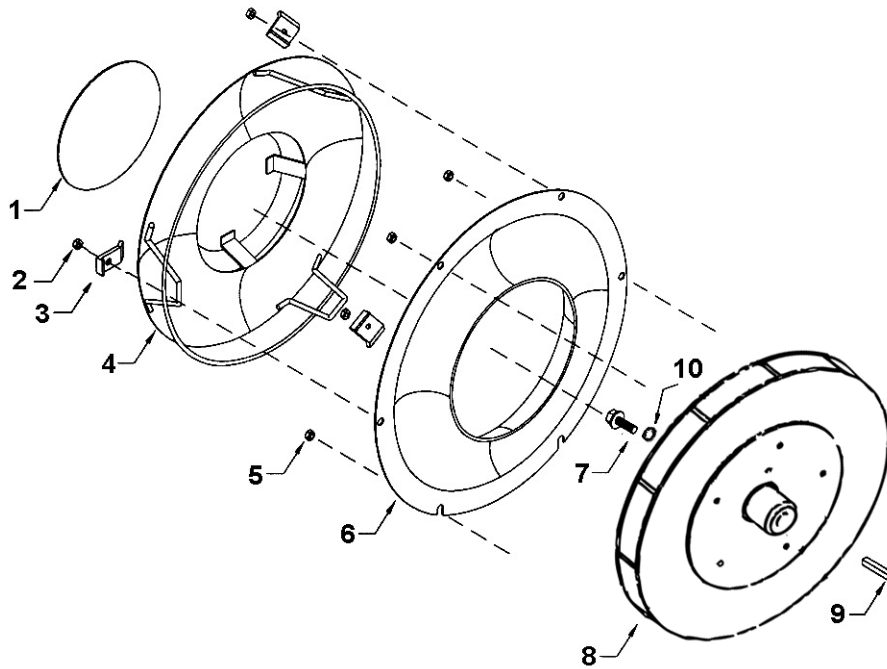
TO PREVENT ACCIDENTAL STARTING, REMOVE SPARK PLUG WIRE WHEN SERVICING ENGINE OR EQUIPMENT.



TORQUE SPECIFICATIONS

SHO BLOWER

Location	Description	P/N	Min. Torque Ft-lbs (In-lbs)	Max. Torque Ft-lbs (In-lbs)
Housing to engine face	BLT-W LF 5/16-24 x 3/4	910503	22 (264)	28 (336)
Deck to housing	NUT 5/16-18	64141-6	16 (192)	22 (276)
Engine to deck	BLT 5/16-18 X 1-1/2	64262-009	19 (228)	25 (300)
Lower handle to deck	BLT 5/16-18 X 1-3/4	64123-61	19 (228)	25 (300)
Upper handle to lower handle	BLT 5/16-18 X 1-3/4	64123-61	19 (228)	25 (300)
Brace to Lower Handle	BLT 5/16-18 X 2	64123-56	19 (228)	25 (300)
Throttle to handle	BLT 1/4-20 X 1-3/4	90-0414	4 (48)	6 (72)
Interior deflector to hook	BLT-W LF 10-32 X 5/8	64139-26	(52)	(71)
Fan to Crankshaft	BLT -HEX 5/16-24x2 GR8	64123-263	19 (228)	25 (300)
Front panel to housing (short stud)	NUT 5/16-18	64141-6	16 (192)	22 (276)
Intake guard clamp (long stud)	NUT-NYLOC 5/16-18	64229-02		8 (100)
Wheel bracket to housing	NUT-FL 5/16-18	64141-6	16 (192)	22 (276)
Front wheel axle bolt	BLT 3/8-16 X 5-1/2 GR 5	64123-252	34	45

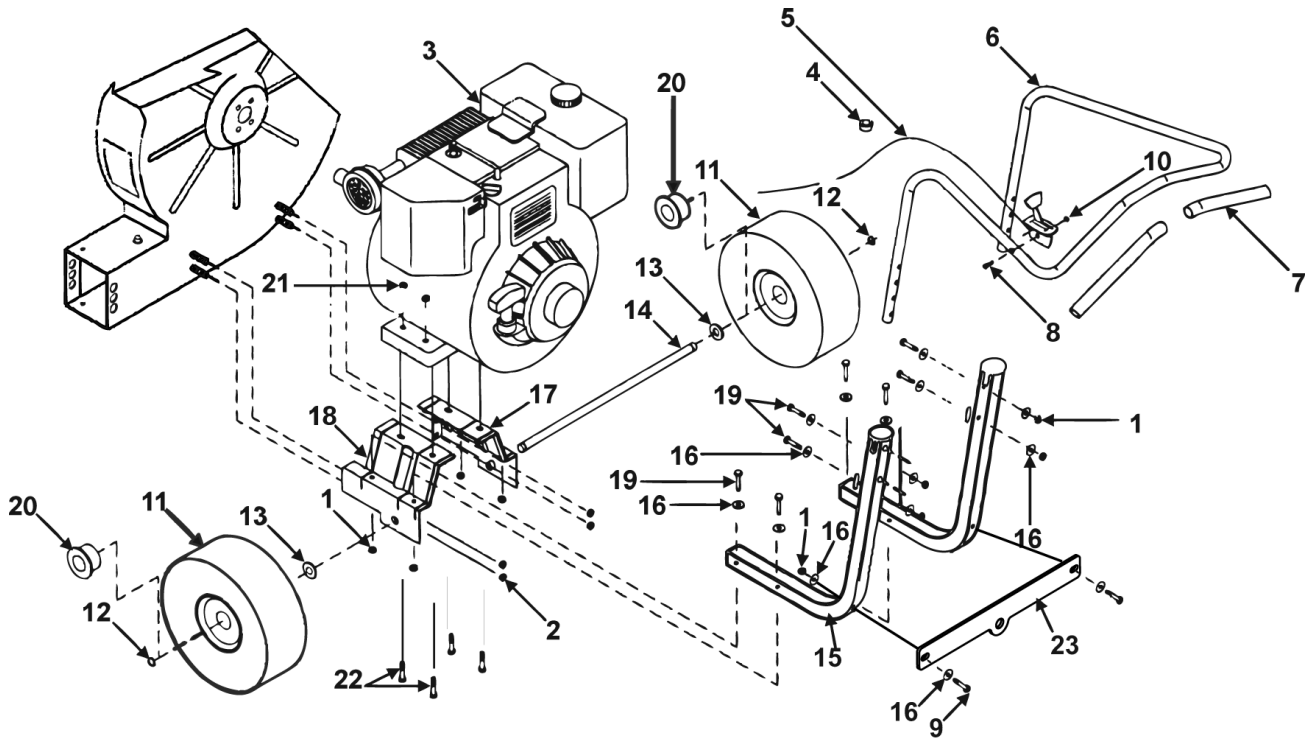


ITEM	PART NO.	DESCRIPTION	QTY	ITEM	PART NO.	DESCRIPTION	QTY
1-1	920600	LABEL-INTAKE GUARD	1				
1-2	64229-02	LOCKNUT-NYL 5/16-18	3				
1-3	911130	CLAMP-INTAKE GUARD	3				
1-4	921101.17	ASSY-INTAKE GUARD	1				
1-5	64141-6	NUT 5/16-18	3				
1-6	921121.10	FRONT PANEL	1				
1-7	64123-263	BLT-HEX 5/16-24X2.0 GR8	1				
1-8	920200	FAN-5HP (INCLUDES ITEMS 7,9 AND 10)	1				
1-9	64164-33	KEY, 3/16x3/16X1 3/4 OS	1				
1-10	64163-92	WASHER,FLAT .328X1X9	1				

ENGINE ASSY

SHO BLOWER

FIGURE 2

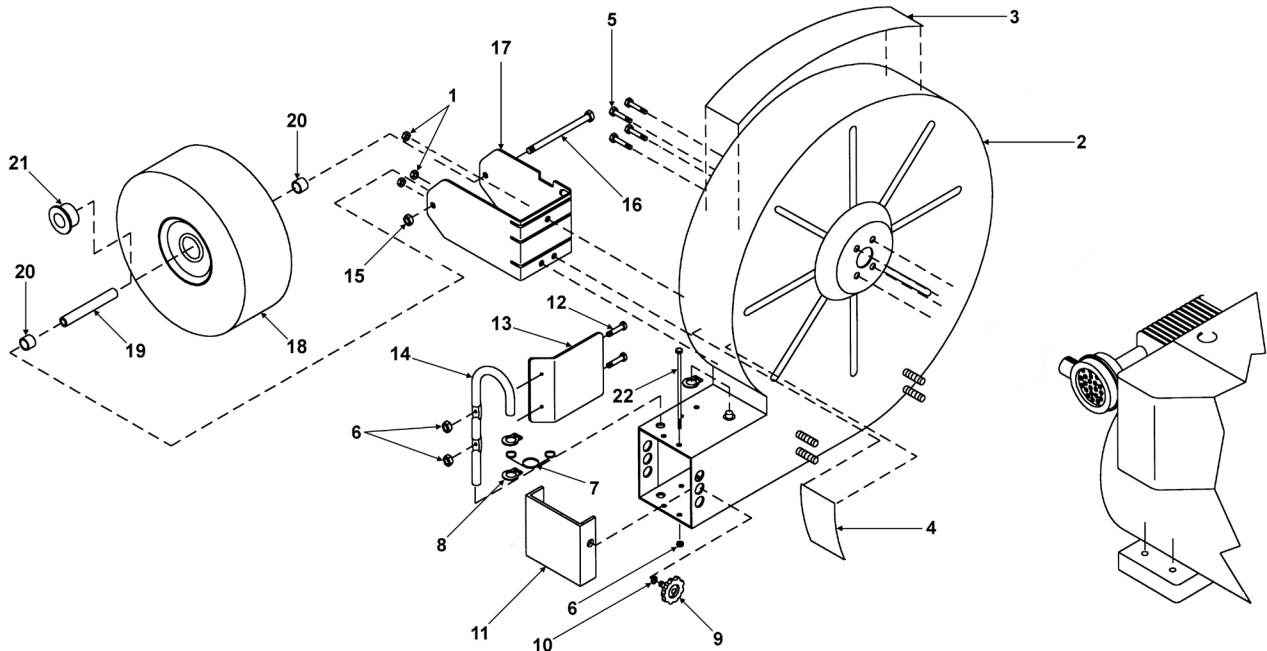


ITEM	PART NO.	DESCRIPTION	QTY	ITEM	PART NO.	DESCRIPTION	QTY
2-1	64229-02	LOCKNUT-NYL 5/16-18	10	2-12	64144-36	SNAP RING.625	2
2-2	64141-6	NUT 5/16-18	4	2-13	4164192-01	SPACER-PDR MTL 35X1.0X.25	2
2-3	910916	ENGINE-5HP HONDA	1	2-14	4164178	AXLE	1
2-4	946	CLIP-THROTTLE	1	2-15	916-2.10	HANDLE-LOWER	2
2-5	4164159-01	CABLE-THROTTLE	1	2-16	64163-55	WASHER-5/16 FLAT	16
2-6	900300	HANDLE-UPPER (INCLUDES 2 900303)	1	2-17	920008.7	DECK-RT	1
2-7	900303	GRIP	2	2-18	920010.7	DECK-LFT	1
2-8	90-0414	BLT-1/4-20 X 1-3/4	1	2-19	64123-61	BLT-HEX 5/16-18X1-3/4	8
2-9	64123-56	BLT-HEX 5/16-18X2	2	2-20	4164204-01	BEARING-WHL	4
2-10	64151-8	LOCKNUT-1/4-20 2-WAY	1	2-21	64268-02	NUT-FL NYLON LOCK 5/16-18	4
2-11	4164204	WHEEL	2	2-22	64262-009	BLT-FLGHD 5/16-18X1-1/2	4
				2-23	4164185.10	BRACE-BLOWER, ENG	1

SHO BLOWER

HOUSING ASSEMBLY

FIGURE 3



ITEM	PART NO.	DESCRIPTION	QTY	ITEM	PART NO.	DESCRIPTION	QTY
3-1	64141-6	NUT 5/16-18	3	3-11	910101.10	DEFLECTOR-SIDE	1
3-2	4164206	HOUSING-5/6HP (INCLUDES ITEM 4)	1	3-12	64139-26	BLT-WLF 10-32 X 5/8	2
3-3	910611	LABEL-LW HOUSING 5HP	1	3-13	910106.10	DEFLECTOR-INT	1
3-4	910609	LABEL-WARNING	1	3-14	910132	HANDLE-DEFLECTOR	1
3-5	910503	BLT-WLF 5/16-24 X 3/4	4	3-15	64151-18	LOCKNUT-3/8-16 2-WAY	1
3-6	64151-31	LOCKNUT-10-32	6	3-16	64123-252	BLT-HEX 3/8-16 X 5-1/2	1
3-7	910130	SPRING-DEFLECTOR	1	3-17	910403.10	BRKT-FRT WHL	1
3-8	8-18	RING-RETAINING	3	3-18	4164205	WHEEL-PNEUMATIC	1
3-9	910131	KNOB	1	3-19	900404	SLEEVE-WHEEL	1
3-10	64002-04	LOCKWASHER-5/16	1	3-20	900405	SPACER-FRT WHL BRKT	2
				3-21	4164204-01	BRG-PNEUMATIC WHL	2
				3-22	64152-68	SCREW 10-32X5-1/2 HH	4

**5 YEAR LIMITED SERVICE & WARRANTY POLICY
FOR GASOLINE POWERED
MAXIMUM OUTPUT BLOWERS**

All **Little Wonder** Gasoline Powered Maximum Output blowers are guaranteed against defects in material and workmanship for a period of FIVE YEARS from date of purchase, when used for RESIDENTIAL SERVICE, or COMMERCIAL SERVICE. Any **Little Wonder** Gasoline powered Maximum Output Blower or part found to be defective within the warranty period is to be returned to any registered **Little Wonder** dealer.

Engines for all gasoline powered products are warranted separately by the engine manufacture. Therefore, there are no warranties made, expressed or implied, for engines for gasoline powered products by **Little Wonder**.

Transportation charges for parts and units submitted for replacement under this warranty must be borne by the purchaser.

THIS WARRANTY shall not be effective if the product has been subject to misuse, negligence or accident, or if the product has been repaired or altered outside of our Southampton factory or authorized repair facility in any respect which affects its condition or operation.

Little Wonder shall not be liable for any special indirect or consequential damages arising from defective equipment. Any implied warranty, including merchantability of fitness for a particular purpose, shall not extend beyond the written warranty period.

THIS WARRANTY shall only be effective if the enclosed Warranty/Registration card is properly filled out and returned to Little Wonder, Schiller Grounds Care, Inc. at time of purchase.



THE ENGINE EXHAUST FROM THIS PRODUCT
CONTAINS CHEMICALS KNOWN TO THE STATE OF
CALIFORNIA TO CAUSE CANCER, BIRTH DEFECTS
OR OTHER REPRODUCTIVE HARM.

LITTLE WONDER®

**SCHILLER GROUNDS CARE, INC.
1028 STREET ROAD, P.O. BOX 38
SOUTHAMPTON, PA 18966**

PHONE 877-596-6337 • FAX 215-357-8045

Specifications, descriptions, and illustrative material in this literature are as accurate as known
at the time of publication, but are subject to change without notice.

LITTLE WONDER

SHO

9502-00-01



MAN 4164249

Rev. A 5-2009

**Owners Manual and Safety Instructions for
SUBURBAN HIGH OUTPUT BLOWER**
**Manuel d'utilisation et consignes de sécurité pour la
SOUFFLANTE À GRAND DÉBIT SUBURBAN**
**Manual del propietario e instructivo de seguridad para el
SOPLADOR 'SUBURBAN' DE ALTA CAPACIDAD**

TECHNICAL MANUAL

**CALIFORNIA
Proposition 65 Warning**

Diesel engine exhaust and some of its constituents are known to the State of California to cause cancer, birth defects and other reproductive harm.

 **WARNING**

The engine exhaust from this product contains chemicals known to the State of California to cause cancer, birth defects or other reproductive harm.

**Californie Proposition 65
Avertissement**

Les échappements des moteurs diesel et certains de leurs composés sont reconnus par l'Etat de Californie pour être cancérigènes, provoquer des défauts congénitaux et d'autres dangers en matière de reproduction.

 **AVERTISSEMENT**

L'émission du moteur de ce matériel contient des produits chimiques que l'Etat de Californie considère être cancérigènes, provoquer des défauts congénitaux et d'autres dangers en matière de reproduction.

**California Advertencia
de la Proposicion 65**

El estado de California hace saber que los gases de escape de los motores diesel y algunos de sus componentes producen cáncer, defectos de nacimiento y otros daños en el proceso de reproducción humana.

 **ADVERTENCIA**

El estado de California hace saber que los gases de escape de este producto contienen productos químicos que producen cáncer, defectos de nacimiento y otros daños en el proceso de reproducción humana.

**CALIFORNIA
Proposition 65 Warning**

Battery posts, terminals, wiring insulation, and related accessories contain lead and lead compounds, chemicals known to the State of California to cause cancer and birth defects or other reproductive harm.
WASH HANDS AFTER HANDLING.

MENSAJE IMPORTANTE

En nombre de todos los empleados de Little Wonder, queremos darle las gracias por haber adquirido la sopladora Suburban con motor de gasolina. Este soplador de uso profesional fue diseñado teniendo en cuenta las normas más estrictas de la industria, con el fin de garantizar un funcionamiento ininterrumpido, durante muchas horas.

Este manual le proporcionará la información necesaria para la operación y el servicio eficiente y seguro de este equipo. Para su propia seguridad, es sumamente importante que lea y entienda todo el contenido de este manual, antes de operar su soplador.

LITTLE WONDER
SHILLER GROUNDS CARE, INC.
1028 STREET ROAD, P.O. BOX 38
SOUTHAMPTON, PA 18966

ÍNDICE	FIGURAS	PÁGINA
SEGURIDAD		18-21
MONTAJE		22
OPERACIÓN		23
ESPECIFICACIONES DE LOS PARES DE APRIETE		24
CONJUNTO DE PROTECTOR DE ADMISIÓN .. FIGURA 1		25
CONJUNTO DE MOTOR	FIGURA 2	26
CONJUNTO DE CAJA.....	FIGURA 3	27

USOS MÚLTIPLES:

La gran versatilidad que ofrece la gama de sopladores de Little Wonder los hace idealmente adecuados para una amplia variedad de usos como barrido de hojas, recortes de césped, desechos de desbrozado, secado de canchas de tenis, limpieza de las entradas de las vías de acceso de gran tamaño, estadios, estacionamientos y otras superficies duras, la limpieza preliminar de tejados antes de ser reparados y un sinnúmero de diversas tareas.



Este manual del operador debe considerarse parte de la máquina. Los proveedores de máquinas nuevas y de segunda mano deben asegurarse de que este manual esté incluido con la máquina.

¡AVISO!

Las modificaciones no autorizadas pueden presentar peligros de seguridad **extremos** para los operadores y personas de los alrededores y también pueden dañar el producto.

Schiller-Pfeiffer, Inc. disuade enfáticamente, rechaza y se exime de cualquier responsabilidad de modificaciones, accesorios adicionales o alteraciones del producto que no hayan sido diseñados, desarrollados, probados y aprobados por el departamento de ingeniería de Schiller-Pfeiffer, Inc. Cualquier producto de Schiller-Pfeiffer, Inc. que sea alterado, modificado o cambiado de cualquier manera que no haya sido autorizada específicamente después de su fabricación original—incluida la adición de accesorios o componentes del “mercado posventa” que no haya sido aprobada específicamente por Schiller-Pfeiffer, Inc.—anulará la garantía de Schiller-Pfeiffer, Inc.

Cualquiera y todas las responsabilidades por lesiones personales y daños materiales causados por modificaciones no autorizadas, accesorios o productos adicionales no aprobados por Schiller-Pfeiffer, Inc. se considerarán que son responsabilidad de los individuos o de la compañía que diseñe o efectúe dichos cambios. Schiller-Pfeiffer, Inc. demandará vigorosamente la indemnización máxima y los costos de cualquier parte responsable de dichas modificaciones y accesorios no autorizados, después de la fabricación, en caso de que se produzcan lesiones personales y daños materiales.



Este símbolo significa:

¡ATENCIÓN!
¡ESTÉ ALERTA!

Su seguridad y la de otros está en juego.

Definiciones de las palabras de la señales:

Las palabras de las señales indicadas a continuación se usan para identificar niveles de gravedad de peligros. Estas palabras aparecen en este manual y en las etiquetas de seguridad sujetas a máquinas de Schiller-Pfeiffer. Para su seguridad y la de otras personas, lea y siga la información dada con estas palabras de señales y símbolos indicados arriba.

PELIGRO

PELIGRO indica una situación de peligro inminente que, de no evitarse, **RESULTARÁ** en lesiones graves o mortales.

ADVERTENCIA

ADVERTENCIA indica una situación potencialmente peligrosa que, de no evitarse, **RESULTARÁ** en lesiones graves o mortales.

PRECAUCIÓN

PRECAUCIÓN indica una situación potencialmente peligrosa que, de no evitarse, **PODRÍA** resultar en lesiones menores o moderadas. También podría usarse para alertar contra prácticas inseguras o daños materiales.

PRECAUCIÓN

PRECAUCIÓN usada sin el símbolo de alerta de seguridad indica una situación potencialmente peligrosa que, de no evitarse, **PODRÍA** resultar en daños materiales.

CALCOMANÍAS DE SEGURIDAD

Un elemento importante del sistema de seguridad incorporado en este soplador son las calcomanías de advertencia e información localizadas en varias partes de la unidad. Estas etiquetas deberán ser sustituidas por unas nuevas, si son ilegibles como resultado del efecto de los abrasivos, etc. Queda bajo su propia responsabilidad sustituir estas etiquetas cuando se dificulte su lectura. A continuación se indica la ubicación de estas calcomanías y los números de componente correspondientes para solicitarlas.

ADVERTENCIA

EL USO O MANTENIMIENTO INDEBIDOS DE ESTE SOPLADOR, ASÍ COMO OMITIR EL USO DE LOS EQUIPOS DE PROTECCIÓN APROPIADOS, PODRÍA OCASIONAR LESIONES GRAVES.

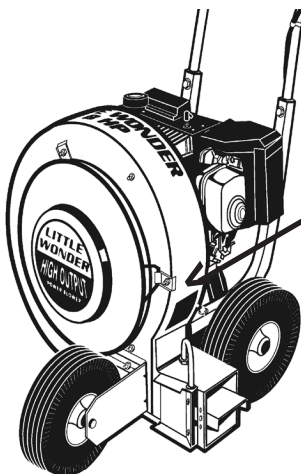
LEA Y ENTIENDA TODAS LAS REGLAS PARA SU OPERACIÓN SEGURA, ASÍ COMO TODAS LAS INSTRUCCIONES IMPRESAS EN ESTE MANUAL.

USE SIEMPRE DISPOSITIVOS DE PROTECCIÓN PARA LOS OJOS Y LOS OÍDOS.

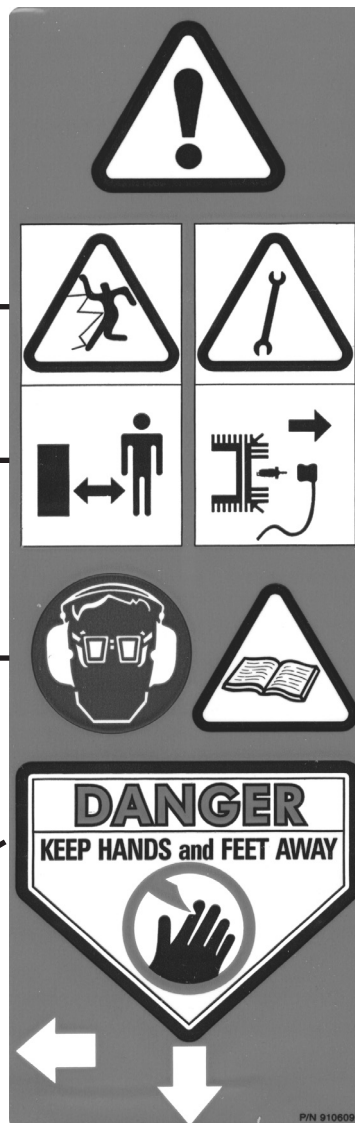
Precaución:
Lanzamiento de objetos.

No deje que se acerquen
las personas.

Use siempre protectores
para los ojos y oídos.



UBICACIÓN DE LA ETIQUETA EN EL SOPLADOR



Antes de hacer cualquier reparación o labor de mantenimiento, desconecte el cable de la bujía.
Cerciórese que el acelerador esté en la posición STOP (parada).

Lea y entienda el contenido del manual del propietario. Preste atención particularmente a todas las secciones relacionadas con la seguridad. Conserve su manual del propietario en un lugar seguro.

Mantenga alejadas las manos y los pies de las zonas de descarga del aire. El ventilador giratorio causará lesiones graves.

NP 910609
Etiqueta de advertencia

REGLAS GENERALES DE SEGURIDAD

Lea y entienda siempre el contenido del manual del propietario. Preste atención particularmente a todas las secciones relacionadas con la seguridad. Conserve su manual del propietario en un lugar seguro.



ADVERTENCIA

NO DEJE QUE SE ACERQUEN NIÑOS, MASCOTAS NI ESPECTADORES - NO DEJE QUE LOS NIÑOS SE PONGAN EN CONTACTO CON EL SOPLADOR. MANTENGA A LOS NIÑOS A UNA DISTANCIA SEGURA DE LA ZONA DE TRABAJO. NO DEJE NUNCA QUE OPERE EL SOPLADOR UNA PERSONA QUE ESTÉ MENTALMENTE INCAPACITADA, BAJO LOS EFECTOS DE LAS BEBIDAS ALCOHÓLICAS O LAS DROGAS, O QUE SEA DEMASIADO JOVEN.

NO INTRODUZCA EL BRAZO NI SE PONGA DE PIE SOBRE UN SOPORTE INESTABLE - Mantenga una buena postura y equilibrio en todo momento.

OPERADORES MÚLTIPLES - Mantenga una distancia segura entre dos o más operadores, cuando ambos estén trabajando simultáneamente.

ADVERTENCIA

EL SOPLADOR SEGUIRÁ GIRANDO POR INERCIA, DESPUÉS DE HABERSE APAGADO.

ADVERTENCIA

SI EL SOPLADOR ES UTILIZADO INDEBIDAMENTE O NO SE SIGUEN LAS PRECAUCIONES DE SEGURIDAD, EL USUARIO U OTRAS PERSONAS PODRÍAN SUFRIR LESIONES GRAVES.

LEA Y ENTIENDA LO SIGUIENTE, ANTES DE INTENTAR OPERAR ESTE SOPLADOR.

Advertencias – “No hacer”

ADVERTENCIA

PELIGRO VENTILADOR GIRANDO - NO ACERQUE LAS MANOS. NO INTENTE EXTRAER LOS MATERIALES ATASCADOS EN LA ADMISIÓN O EN LA DESCARGA DEL SOPLADOR MIENTRAS ESTÉ EN FUNCIONAMIENTO.

ADVERTENCIA

PELIGRO - NO INSTALE NI QUITE LOS ACCESORIOS MIENTRAS EL SOPLADOR ESTÉ EN FUNCIONAMIENTO. APAGUE EL MOTOR ANTES DE EFECTUAR CUALQUIER MODIFICACIÓN. CERCÍOARSE DE QUE EL ACELERADOR ESTÉ EN SU POSICIÓN DE PARADA (STOP) Y EL SOPLADOR SE HAYA DETENIDO COMPLETAMENTE. ANTES DE QUITAR EL MATERIAL ATASCADO, DESCONECTE EL CABLE DE LA BUJÍA.

NO DIRIJA LA DESCARGA DEL SOPLADOR hacia personas, automóviles, vidrios u otros artículos similares causando lesiones o daños como consecuencia de los residuos lanzados por el soplador.

NO INTENTE REPARAR EL SOPLADOR – Encargue las reparaciones a un distribuidor o personal de reparación capacitado de Little Wonder. Cercíese de que se usen solamente componentes de repuesto Little Wonder y los recomendados por el fabricante del motor.

Advertencias – “Hacer siempre”

VÍSTASE DE FORMA APROPIADA – No use ropa holgada ni artículos de joyería. Estos artículos podrían ser atrapados por los componentes en movimiento. Se recomienda el uso de guantes reforzados, calzado antirresbaladizo y gafas de seguridad. Use siempre protectores de los oídos, cuando sea posible. Use una mascarilla de filtración para no respirar el polvo.

MANTÉNGASE ALERTA – Preste atención a lo que esté haciendo y use su sentido común. No opere el soplador si está fatigado.

NO ACERQUE LAS MANOS AL CONDUCTO DE ADMISIÓN Y DESCARGA DE AIRE – Mantenga ambas manos en las asas mientras esté en funcionamiento.

MANTENGA Y REVISE EL SOPLADOR CON CUIDADO – Siga las instrucciones de mantenimiento indicadas en el manual. No use el soplador sin haber instalado el silenciador, o si es defectuoso.

GUARDE EL SOPLADOR BAJO TECHO – Cuando no se use el soplador, manténgalo bajo techo, en un área protegida y seca, donde no esté fácilmente al alcance de los niños. El soplador, así como el combustible, no debe guardarse en el interior de una casa. Mantenga el acelerador en la posición de parada (stop).

CERCIÓRESE DE QUE EL SOPLADOR ESTÉ TOTALMENTE MONTADO – No opere nunca el soplador sin todos los protectores y deflectores colocados. Cerciórese que todas las tuercas, pernos y tornillos estén bien instalados y apretados.

MANTENGA EL ACELERADOR EN LA POSICIÓN “STOP” (PARADA) MIENTRAS NO ESTÉ EN USO. Procure siempre que dos o más operadores estén a una distancia segura cuando ambos operen equipos de manera simultánea.

ADVERTENCIA

¡ADVERTENCIA! CON EL FIN DE NO DAÑAR EL MOTOR A CONSECUENCIA DE UN RECALENTAMIENTO O UNA ACELERACIÓN EXCESIVA, MANTENGA LIMPIO Y DESPEJADO DE HOJAS SECAS, Y CUALQUIER OTRO DESPERDICIO, EL CONJUNTO DEL MOTOR DE ARRANQUE DE RETROCESO DEL MOTOR Y LAS ÁREAS DE ADMISIÓN Y DESCARGA DE AIRE DEL SOPLADOR

Advertencias con el motor y el combustible – “No hacer”

ADVERTENCIA

MANIPULE EL COMBUSTIBLE CON CUIDADO, ES MUY INFLAMABLE. EL ABASTECIMIENTO DE COMBUSTIBLE DE UN MOTOR CALIENTE, O EN LAS CERCANÍAS DE UNA FUENTE DE INFLAMACIÓN, PUEDE PROVOCAR UN INCENDIO Y PRODUCIR LESIONES CORPORALES GRAVES Y DAÑOS MATERIALES.

No fume mientras manipule combustible.

No reabastezca de combustible el tanque, si el motor está caliente o en funcionamiento.

No reabastezca de combustible el tanque en interiores.

PRECAUCIÓN - No arranque ni haga funcionar el motor en interiores, ya que el silenciador del motor emite monóxido de carbono.

No opere el soplador en un área sin ventilación.

No use el soplador, si el sistema eléctrico del mismo provoca chispas fuera del cilindro. Verifique periódicamente las condiciones de la bujía. Al verificarla, mantenga la bujía a una distancia segura del cilindro y evite de esta manera la inflamación de los vapores del combustible en el interior del cilindro.

Advertencias sobre el motor y el combustible – “Hacer siempre”

MANIPULE EL COMBUSTIBLE CON CUIDADO. ES ALTAMENTE INFLAMABLE. Reabastezca el tanque de combustible antes de iniciar sus labores.

Use siempre gasolina que no haya perdido sus cualidades. El combustible que haya perdido sus cualidades podrá causar filtraciones.

Tire siempre lentamente del cordón del motor de arranque, hasta sentir cierta resistencia. Ahora, tire súbitamente del cordón para evitar el retroceso y evitar lesiones en brazos o manos.

Vuelva a colocar firmemente el tapón de la gasolina. Si se derrama combustible, aleje el soplador y el recipiente de combustible de esa área y colóquelos en otro lugar y tenga cuidado de no provocar una fuente de inflamación.

No derrame combustible ni aceite. Limpie y seque siempre la unidad antes de usarla. Aléjese a una distancia mínima de 3 metros (10 pies), del punto en donde reabasteció el tanque de combustible, antes de arrancar el motor.

Guarde siempre la gasolina en un recipiente aprobado. Llene el tanque de combustible cuidadosamente y en exteriores.

Instrucciones de montaje del soplador

NOTA: Consulte las listas de piezas y las ilustraciones de las páginas 32-35.

1. Instale asas inferiores **15** en la parte superior de la plataforma **17 y 18**. Fije con (4) tornillos de sombrerete de 5/16-18 X 1-3/4 **19**, (4) arandelas planas de 5/16 **16** y (4) tuercas de nilón 5/16-18 **1** apretados a mano. **(Vea la Figura 2).**
2. Instale el asa superior **6** con (4) tornillos de sombrerete de 5/16-18 X 1-3/4 **19**, (8) arandelas de 5/16 **16** y (4) tuercas de nilón 5/16-18 **1**, apretados a mano. Apriete las tuercas y los pernos del asa inferior. Apriete las tuercas y los pernos del asa superior, hasta que el tubo del asa inferior comprima el asa superior. Se considera normal que el tubo del asa inferior se comprima un poco. **(Vea la Figura 2).**
3. Ate la abrazadera **23** con (2) tornillos de 5/16-18x2 de gorra **9**, (4) arandelas 5/16 **16**, y loco de nilón de 5/16-18 **1**. **(Vea la Figura 2).**
4. Sujete el cable del acelerador **5** al asa superior **6** con (1) tornillo de sombrerete de 1/4-20 X 1-3/4" **8** y (1) una tuerca de traba 1/4-20 **10** por el agujero del asa superior **6** ubicada en el lado izquierdo.
5. Incline el soplador hacia atrás, apoyándolo sobre el asa e instale el soporte de la rueda delantera **17** por encima de los tres espárragos colocados en la parte inferior de la caja del soplador **2**. Fíjelo firmemente con (3) tuercas con pestaña de 5/16 - 18 **1**. **(Vea la Figura 3).**
6. Introduzca la camisa del neumático **19** delante del neumático **18**. Instale los espaciadores de los neumáticos **20** por encima de la camisa del eje en ambos lados de la rueda e instale en el soporte en la rueda delantera **17**. Introduzca el tornillo del eje de 3/8-16 x 5 1/2 **16** a través del soporte de la rueda y la camisa del eje. Fije una tuerca de eje de 3/8-16 **15**. **(Vea la Figura 3).**

NOTA: El apriete excesivo del tornillo instalado en los controles del lado izquierdo, podría dañar el control).

**ADVERTENCIA**

TODOS LOS SOPLADORES LITTLE WONDER SE ENVÍAN SIN ACEITE EN EL MOTOR. AL LLENAR DE ACEITE, USE SAE 30. CONSULTE EL MANUAL DE INSTRUCCIONES DEL FABRICANTE DEL MOTOR PARA OBTENER LAS INSTRUCCIONES DE OPERACIÓN.

INSTRUCCIONES DE OPERACIÓN

Consulte la operación del motor en el manual del motor.

Little Wonder recomienda el uso de aceite SAE 30. El uso de aceite con viscosidad múltiple dará como resultado un mayor consumo de aceite y la posibilidad de dañar el motor.

Las hojas, la paja y cualquier otro desperdicio podrán ser guiados hacia una hilera o un montón y basta simplemente maniobrar la unidad y dirigir el flujo de aire según sea adecuado.

El flujo de aire puede dirigirse hacia un lado o hacia el frente usando el deflector de dos posiciones. La posición de descarga delantera podrá ser utilizada para eliminar los desperdicios acumulados en los muros, cercas, etc., la posición de descarga lateral podrá ser utilizada para formar hileras o montones. El deflector horizontal dirige la descarga de aire hacia abajo para aplicar la corriente por debajo de las hojas y desperdicios mojados y pesados. La velocidad del aire se regula mediante el control del acelerador.

Al colocar el deflector en el orificio superior podrá descargar un mayor volumen de aire hacia abajo. Al colocar el deflector en el orificio inferior podrá descargar un mayor volumen de aire hacia arriba. Con el fin de reducir la formación de hileras de desperdicios, o descargar el aire por encima de un obstáculo, dirija el deflector hacia arriba.

Los cambios aparentemente poco significativos hechos en el deflector tendrán un efecto grande en el flujo de aire. Pruebe con las posiciones de descarga hasta encontrar la que mejor cumpla con sus necesidades.

Obtenga el mejor rendimiento del equipo, cerciórese de que el conjunto del motor de arranque de retroceso, la admisión de aire del soplador y las áreas de descarga no contengan obstrucciones u hojas o desperdicios.

INSTRUCCIONES DE MANTENIMIENTO

Mantenga todas las tuercas, tornillos y pernos bien apretados.

No guarde nunca el soplador con combustible dentro de un edificio o en un lugar estrecho, si el tanque de combustible contiene aún gasolina, y donde los vapores puedan inflamarse debido a una llama o una chispa.

Consulte en todo momento, en el manual de instrucciones, los detalles de importancia; si se va a almacenar el producto durante un período prolongado.

Motor - 4 tiempos. (Consulte las recomendaciones relacionadas con el combustible, así como la información adicional mencionada en las instrucciones de operación del manual del fabricante).

Neumáticos - Sin cámara. Inflélos a una presión de aire de 30 psi.

Se deben inspeccionar las calcomanías antes de cada uso. Sustituya inmediatamente las calcomanías dañadas.

Verifique periódicamente el nivel de aceite del motor.

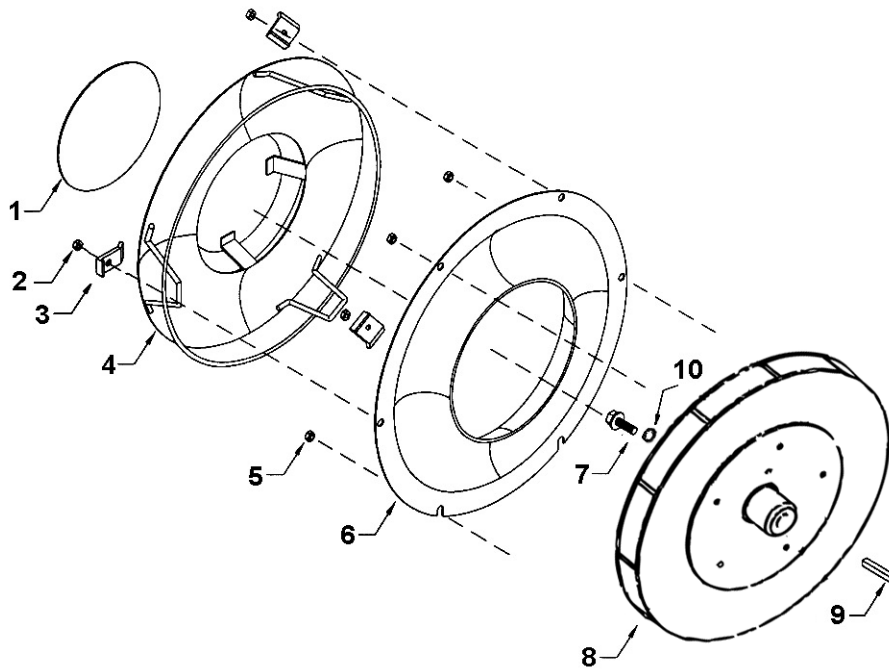
Cerciórese de mantener el nivel de aceite al nivel correcto. Verifique el nivel de aceite después de cada 5 horas de operación, o diariamente, antes de arrancar el motor. Use aceite SAE 30. Cambie el aceite después de las primeras 5 horas de operación. Quite el tapón de vaciado del aceite y deje que el aceite se vacíe mientras el motor esté caliente. Vuelva a poner el tapón de vaciado de aceite. Quite el tapón de llenado de aceite y rellene el depósito con aceite nuevo. Arranque y haga funcionar el motor al ralentí durante 30 segundos. Pare el motor. Espere 30 segundos y vuelva a verificar el nivel de aceite. Si es necesario, añada aceite hasta que rebose por el tapón de llenado.

ADVERTENCIA

PARA IMPEDIR UN ARRANQUE POR ACCIDENTE, quite el cable de la bujía al efectuar el servicio del motor o el equipo.



Localización	Descripción	N/P	Par de apriete mín. lb-pie (lb-pulg)	Par de apriete máx. lb-pie (lb-pulg)
Caja hasta el frente del motor	PERNO WLF 5/16-24 x 3/4	910503	22 (264)	28 (336)
Plataforma al bastidor	TUERCA 5/16-18	64141-6	16 (192)	22 (276)
Motor a la plataforma	PERNO 5/16-18 X 1-1/2	64262-009	19 (228)	25 (300)
Asa inferior a la plataforma	PERNO 5/16-18 X 1-3/4	64123-61	19 (228)	25 (300)
Asa superior al asa inferior	PERNO 5/16-18 X 1-3/4	64123-61	19 (228)	25 (300)
Abrazadera para bajar mango	PERNO 5/16-18 X 2	64123-56	19 (228)	25 (300)
Acelerador al asa	PERNO 1/4-20 X 1-3/4	90-0414	4 (48)	6 (72)
Deflector interior al gancho	PERNO WLF 10-32 x 5/8	64139-26	(52)	(71)
Ventilador al cigüeñal	PERNO 5/16-24 X 2.0 GR8	64123-263	30	50
Panel delantero a la caja (espárrago corto)	TUERCA 5/16-18	64141-6	16 (192)	22 (276)
Abrazadera del protector de admisión (espárrago largo)	TUERCA NYLOC 5/16-18	64229-02		8 (100)
Soporte de la rueda a la caja	TUERCA PESTAÑA 5/16-18	64141-6	16 (192)	22 (276)
Perno del eje de la rueda delantera	PERNO 3/8-16 X 5-1/2 GR5	64123-252	34	45

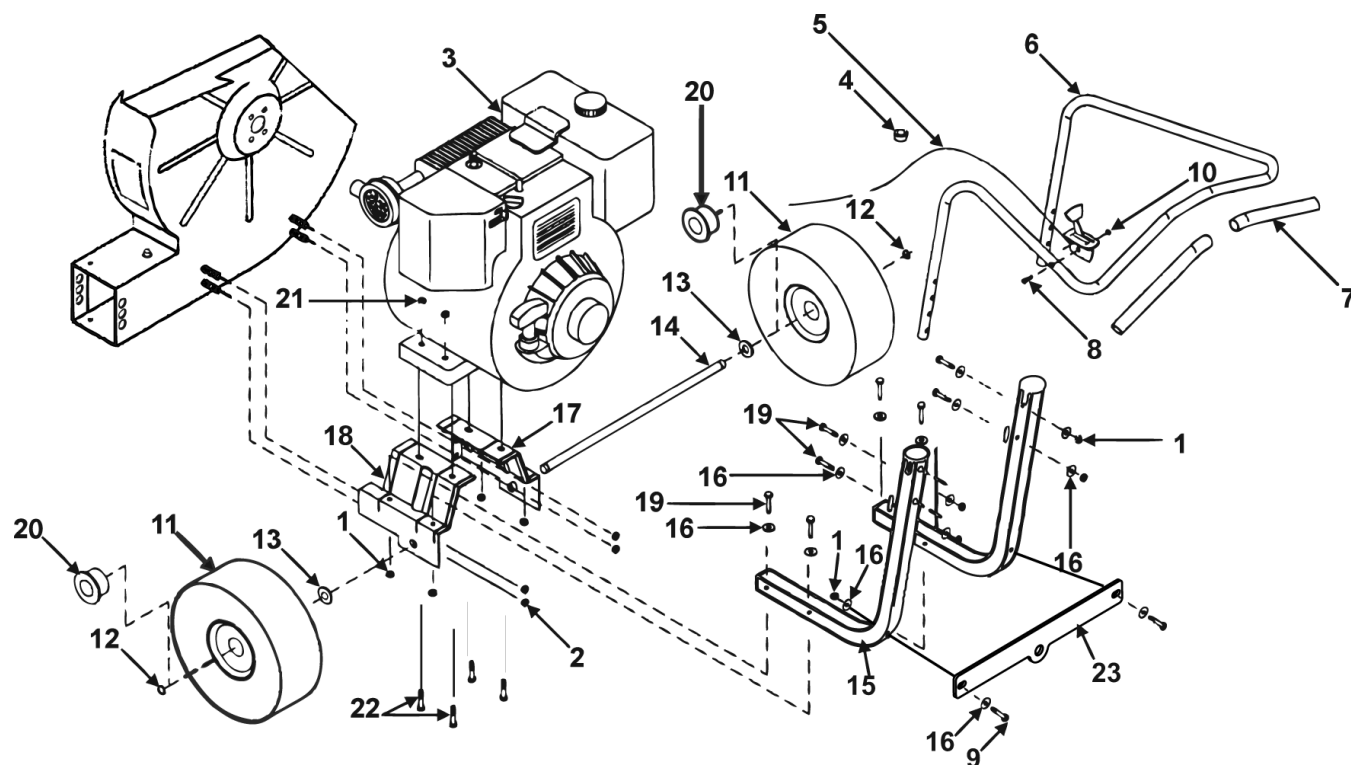


ITEM	PART NO.	DESCRIPTION	QTY	ITEM	PART NO.	DESCRIPTION	QTY
1-1	920600	ETIQUETA PROTECTOR ADMISIÓN	1				
1-2	64229-02	TUERCA TRABA NILÓN 5/16-18	3				
1-3	911130	ABRAZADERA PROTECTOR ADMISIÓN	3				
1-4	921101.17	CONJ PROTECTOR ADMISIÓN	1				
1-5	64141-6	TUERCA 5/16-18	3				
1-6	921121.10	PANEL DELANTERO	1				
1-7	64123-263	PERNO HEX 5/16-24X 2.0 GR8	1				
1-8	920200	VENTILADOR DE 5 HP (INCLUYE 7.9. & 10)	1				
1-9	64164-33	CHAVETA 3/16X3/16X1 3/4	1				
1-10	64163-92	ARANDELA .328X1X.19	1				

CONJUNTO DE MOTOR

SHO BLOWER

FIGURA 2

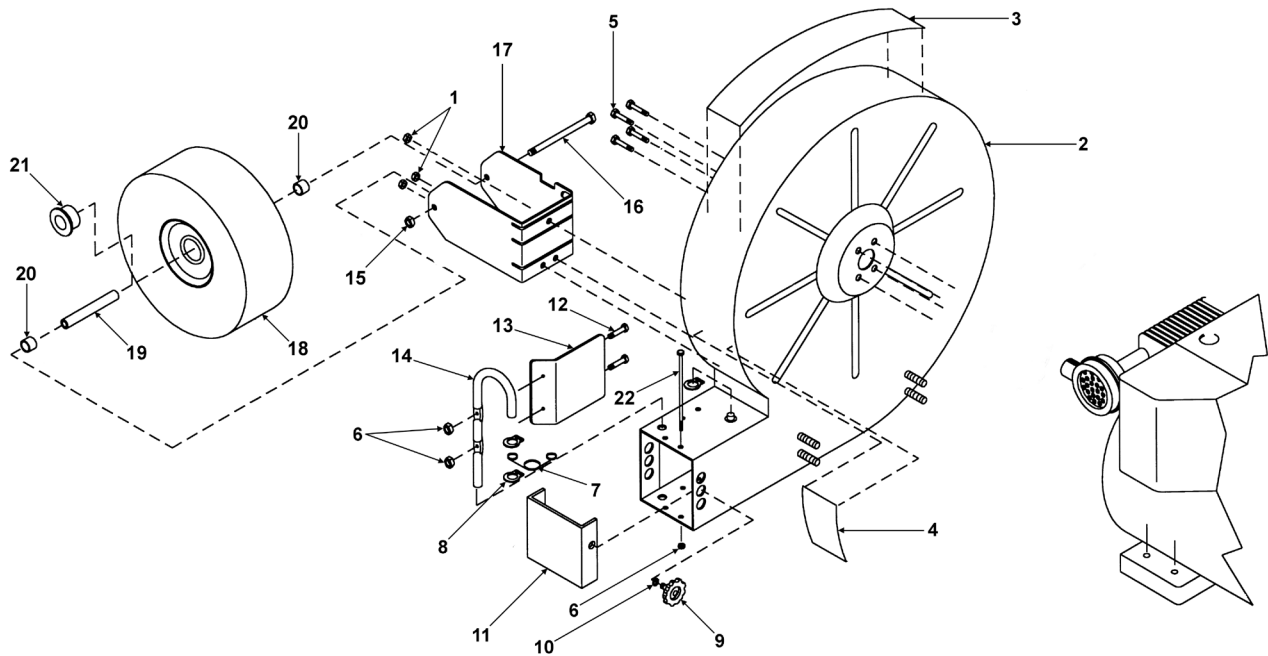


ITEM	PART NO.	DESCRIPTION	QTY	ITEM	PART NO.	DESCRIPTION	QTY
2-1	64229-02	TUERCA TRABA NILÓN 5/16-18	10	2-15	916-2.10	ASA INFERIOR	2
2-2	64141-6	TUERCA 5/16-18	4	2-16	64163-55	ARANDELA PLANA 5/16	16
2-3	910916	MOTOR HONDA DE 5 HP	1	2-17	920008.7	PLATAFORMA DCHA	1
2-4	946	PRESILLA DE ACELERADOR	1	2-18	920010.7	PLATAFORMA IZDA	1
2-5	4164159-01	CABLE DEL ACELERADOR	1	2-19	64123-61	PERNO HEX 5/16-16X1-3/4	8
2-6	900300	ASA SUPERIOR (INCLUYE DOS 900303)	1	2-20	4164204-01	COJINETE RUEDA	4
2-7	900303	EMPUÑADURA	2	2-21	64268-02	TUERCA TRABA NILÓN PEST 5/16-18	4
2-8	90-0414	PERNO 1/4-20 X 1-3/4	1	2-22	64262-009	PERNO 5/16-16X1-1/2	4
2-9	64123-56	PERNO-HEX 5/16-18X2	2	2-23	4164185.10	SOPLADOR DE ABRAZADERA	1
2-10	64151-8	TUERCA TRABA 2 VÍAS 1/4-20	1				
2-11	4164204	RUEDA	2				
2-12	64144-36	ANILLO REPENTINO	2				
2-13	4164192-01	ESPACIADOR-METAL EN POLVO .632X1X.25	2				
2-14	4164178	EJE	1				

SHO BLOWER

CONJUNTO DE MOTOR

FIGURA 3



ITEM	PART NO.	DESCRIPTION	QTY	ITEM	PART NO.	DESCRIPTION	QTY
3-1	64141-6	TUERCA 5/16-18	3	3-15	64151-18	TUERCA TRABA 2 VÍAS 3/8-16	1
3-2	4162406	CAJA 5 HP (INCLUYE ARTÍCULO 4)	1	3-16	64123-252	PERNO WLF 3/8-16 X 5-1/2	1
3-3	910611	ETIQUETA CAJA INF 5HP	1	3-17	910403.10	SOPORTE RUEDA DELANTERA	1
3-4	910609	ETIQUETA ADVERTENCIA	1	3-18	4164205	NEUMÁTICO	1
3-5	910503	PERNO WLF 5/16-24 x 3/4	4	3-19	900404	CAMISA RUEDA	1
3-6	64151-31	TUERCA TRABA 10-32	6	3-20	900405	ESPAC SOP RUEDA DELANTERA	2
3-7	910130	RESORTE DEFLECTOR	1	3-21	4164204-01	COJINETE NEUMÁTICO	2
3-8	8-18	ANILLO RETENCIÓN	3	3-22	64152-68	TORNILLO 10-32X5-1/2 HH	4
3-9	910131	PERILLA	1				
3-10	64002-04	ARANDELA TRABA 5/16	1				
3-11	910101.10	DEFLECTOR LADO	1				
3-12	64139-26	PERNO WLF 10-32 x 5/8	2				
3-13	910106.10	DEFLECTOR INT	1				
3-14	910132	ASA DEFLECTOR	1				

PÓLIZA DE SERVICIO Y GARANTÍA LIMITADOS A 5 AÑOS PARA SOPLADORES CON MOTOR DE GASOLINA CON CAPACIDAD MÁXIMA

Todos los sopladores de capacidad máxima marca **Little Wonder** con motor de gasolina están garantizados contra defectos en sus materiales y mano de obra durante un periodo de CINCO AÑOS a partir de la fecha de compra, mientras sean utilizados para SERVICIO RESIDENCIAL o COMERCIAL. Cualquier soplador de capacidad máxima Little Wonder con motor de gasolina o pieza defectuosos dentro del periodo de garantía, deberá ser devuelto a cualquier distribuidor registrado **Little Wonder**.

Los motores de gasolina están garantizados por separado por el fabricante del motor. Por lo tanto, no se hace ninguna garantía, ya sea expresa o implícita, para los motores de gasolina instalados en los productos por Little Wonder.

Los cargos de transporte de las piezas y unidades enviados para su reparación bajo esta garantía deberán ser abonados por el comprador.

ESTA GARANTÍA no es válida si el producto ha sido usado de forma indebida, negligente o ha sufrido un accidente, o si el producto fue reparado o alterado fuera de nuestra fábrica de Southampton o de las instalaciones de reparación autorizadas, en cualquier circunstancia que afecte sus condiciones u operación.

Little Wonder no asumirá la responsabilidad que resulte de daños especiales, indirectos o emergentes debido a cualquier equipo que se determine que está defectuoso. Cualquier garantía implícita, que incluya la comerciabilidad o adaptación para una aplicación en particular, no se extenderá más allá de la vigencia de lo manifestado en la garantía.

ESTA GARANTÍA solamente entrará en vigor si la tarjeta de Registro/Garantía adjunta se rellena apropiadamente y se envía a Little Wonder, Schiller Grounds Care, Inc., en el momento de su compra.



ADVERTENCIA



PELIGRO



ES DEL CONOCIMIENTO DEL ESTADO DE CALIFORNIA QUE EL HUMO DEL ESCAPE DEL MOTOR INSTALADO EN ESTE PRODUCTO CONTIENE PRODUCTOS QUÍMICOS QUE CAUSAN CÁNCER, DEFECTOS DE NACIMIENTO, O CUALQUIER OTRA CLASE DE LESIONES EN EL SISTEMA REPRODUCTOR.

LITTLE WONDER®

**SCHILLER GROUNDS CARE, INC.
1028 STREET ROAD, P.O. BOX 38
SOUTHAMPTON, PA 18966**

TELÉFONO 877-596-6337 • FAX 215-357-8045

www.littlewonder.com

Las especificaciones, descripciones y material ilustrativo en este material impreso son los más exactos posibles hasta el momento de su publicación; no obstante, quedan sujetos a modificaciones sin previo aviso.

LITTLE WONDER

SHO

9502-00-01



MAN 4164249
Rev. A 5-2009

**Owners Manual and Safety Instructions for
SUBURBAN HIGH OUTPUT BLOWER
Manuel d'utilisation et consignes de sécurité pour la
SOUFFLANTE À GRAND DÉBIT SUBURBAN
Manual del propietario e instrucciones de seguridad para el
SOPLADOR 'SUBURBAN' DE ALTA CAPACIDAD**

MANUEL TECHNIQUE

**CALIFORNIA
Proposition 65 Warning**

Diesel engine exhaust and some of its constituents are known to the State of California to cause cancer, birth defects and other reproductive harm.

 **WARNING**

The engine exhaust from this product contains chemicals known to the State of California to cause cancer, birth defects or other reproductive harm.

**Californie Proposition 65
Avertissement**

Les échappements des moteurs diesel et certains de leurs composés sont reconnus par l'Etat de Californie pour être cancérigènes, provoquer des défauts congénitaux et d'autres dangers en matière de reproduction.

 **AVERTISSEMENT**

L'émission du moteur de ce matériel contient des produits chimiques que l'Etat de Californie considère être cancérigènes, provoquer des défauts congénitaux et d'autres dangers en matière de reproduction.

**California Advertencia
de la Proposicion 65**

El estado de California hace saber que los gases de escape de los motores diesel y algunos de sus componentes producen cáncer, defectos de nacimiento y otros daños en el proceso de reproducción humana.

 **ADVERTENCIA**

El estado de California hace saber que los gases de escape de este producto contienen productos químicos que producen cáncer, defectos de nacimiento y otros daños en el proceso de reproducción humana.

**CALIFORNIA
Proposition 65 Warning**

Battery posts, terminals, wiring insulation, and related accessories contain lead and lead compounds, chemicals known to the State of California to cause cancer and birth defects or other reproductive harm.
WASH HANDS AFTER HANDLING.

MESSAGE IMPORTANT

Au nom de tout le personnel de Little Wonder, nous tenons à vous remercier de votre achat de la soufflante Suburban à essence Little Wonder. Cette soufflante professionnelle a été conçue en fonction des normes les plus élevées pour vous assurer de nombreuses heures de service ininterrompu.

Ce manuel contient les informations nécessaires à une utilisation et un entretien sûrs et efficaces. Pour votre sécurité, il est crucial que vous lisiez et compreniez tout ce manuel avant d'utiliser la soufflante.

LITTLE WONDER
SCHILLER GOURNDS CARE, INC.
1028 STREET ROAD, P.O. BOX 38
SOUTHAMPTON, PA 18966 ÉTATS-UNIS

TABLE DES MATIÈRES	FIGURES	PAGE
SÉCURITÉ		32-35
ASSEMBLAGE		36
MODE D'EMPLOI		37
COUPLES DE SERRAGE		38
CAPOT D'ADMISSION	FIGURE 1	39
MOTEUR	FIGURE 2	40
CARTER	FIGURE 3	41

NOMBREUSES UTILISATIONS :

La très grande souplesse d'emploi offerte par les soufflantes de la gamme Little Wonder les rend parfaitement adaptées à un vaste éventail de tâches ; soufflage des feuilles, de l'herbe coupée et du chaume, séchage des courts de tennis, nettoyage des grandes allées de garage, des stades, des terrains de stationnement et autres surfaces dures, nettoyage des toitures avant leur réfection, ainsi d'innombrables autres applications.



Ce manuel d'utilisation doit être considéré comme une partie de la machine. Les fournisseurs de machines neuves ou d'occasion doivent s'assurer que le manuel est fourni avec la machine.

AVIS !!!

Les modifications non autorisées peuvent présenter **des dangers** extrêmes pour la sécurité des opérateurs et autres personnes présentes et provoquer des dommages du produit.

Schiller-Pfeiffer, Inc. déconseille fortement, rejette et décline toute responsabilité pour de quelconques modifications, accessoires rapportés ou altération du produit qui ne sont pas conçus, développés, testés et agréés par le Bureau d'études de Schiller-Pfeiffer, Inc. Tout produit Schiller-Pfeiffer, Inc. qui est altéré, modifié ou changé d'une quelconque manière non spécifiquement autorisée après la fabrication d'origine-y compris par l'ajout d'accessoires ou de pièces de « rechange » non spécifiquement agréés par Schiller-Pfeiffer, Inc.-résultera dans l'annulation de la garantie Schiller-Pfeiffer, Inc.

Toutes les responsabilités pour dommages corporels et/ou matériels causés par de quelconques modifications non autorisées, accessoires ou produits rapportés non agréés par Schiller-Pfeiffer, Inc. seront considérées imputables aux personnes ou à la société ayant conçu ou effectué ces modifications. Schiller-Pfeiffer, Inc. réclamera activement une indemnisation et des remboursements complets de la part de tout parti responsable de telles modifications ou ajouts d'accessoires post-fabrication non autorisés s'il devait en résulter des dommages corporels et/ou matériels.



Ce symbole signifie :

**ATTENTION !
FAIRE PREUVE DE
VIGILANCE !**

Votre sécurité et celle des autres en dépend.

Définition des termes de mise en garde :

Les termes de mise en garde ci-dessous servent à identifier les niveaux de gravité de danger. Ces termes sont utilisés dans le manuel et sur les étiquettes de sécurité apposées sur les machines Schiller-Pfeiffer, Inc. Pour la sécurité de l'opérateur et des autres personnes, veiller à lire et respecter les indications fournies avec ces termes de mise en garde et/ou le symbole qui les accompagne.

⚠ DANGER

DANGER indique une situation de danger imminent qui, si elle n'est pas évitée, provoquera **IMMANQUABLEMENT** la mort ou des blessures graves.

⚠ AVERTISSEMENT

AVERTISSEMENT indique une situation de danger potentiel qui, si elle n'est pas évitée, **PEUT** provoquer la mort ou des blessures graves.

⚠ ATTENTION

ATTENTION indique une situation de danger potentiel qui, si elle n'est pas évitée, **POURRAIT** provoquer des blessures légères ou moyennes. Peut également être utilisé pour mettre en garde contre des pratiques dangereuses ou des risques de dommages matériels.

ATTENTION

ATTENTION utilisé sans le symbole d'alerte à la sécurité indique une situation de danger potentiel qui, si elle n'est pas évitée, **POURRAIT** provoquer des dommages matériels.

AUTOCOLLANTS DE SÉCURITÉ

Les autocollants de mise en garde et d'information apposés sur différentes parties de la soufflante constituent une partie importante du système de sécurité. Ces autocollants doivent être remplacés s'ils deviennent illisibles en raison de l'abrasion, etc. Il incombe à l'utilisateur de remplacer les autocollants lorsqu'ils deviennent difficiles à lire. Leur emplacement et leur numéro de référence pour la commande sont indiqués ci-dessous.

AVERTISSEMENT

POUR ÉCARTER LES RISQUES DE BLESSURE GRAVE, UTILISER ET ENTREtenir CETTE SOUFFLANTE DE FAÇON APPROPRIÉE ET PORTER UNE PROTECTION ADAPTÉE.

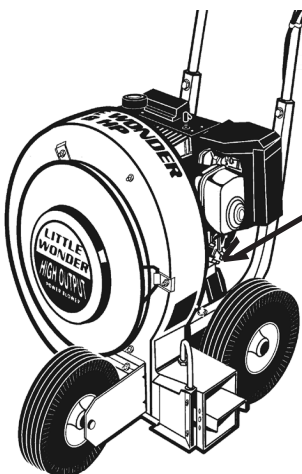
LIRE ET COMPRENDRE LES CONSIGNES DE SÉCURITÉ ET TOUTES LES INSTRUCTIONS CONTENUES DANS CE MANUEL.

PORTER PROTECTION AUDITIVE ET OCULAIRE.

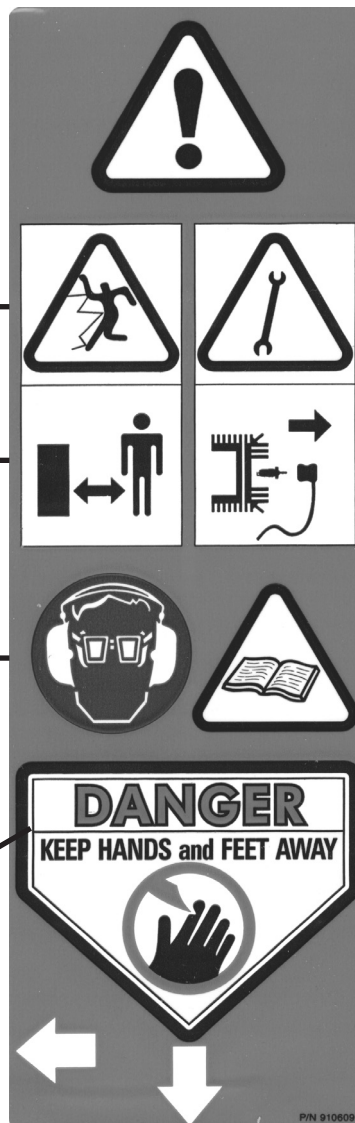
Attention :
Projection d'objets.

Tenir les personnes
présentes à l'écart.

Toujours porter une
protection
oculaire et auditive.



EMPLACEMENT DE L'AUTOCOLLANT SUR LA SOUFFLANTE



Avant toute opération
d'entretien ou de
réparation, débrancher
le fil de bougie.
S'assurer que
l'accélérateur est à la
position d'arrêt.

Veiller à lire et
comprendre le
manuel d'utilisation.
Accorder une attention
particulière à toutes les
sections relatives à la
sécurité. Conserver le
manuel d'utilisation en
lieu sûr.

Garder les mains et
les pieds à l'écart des
décharges d'air. Le
ventilateur rotatif cause
des blessures graves.

PN 910609
Étiquette de mise en
garde

CONSIGNES GÉNÉRALES DE SÉCURITÉ

Veiller à lire et comprendre le manuel d'utilisation. Accorder une attention particulière à toutes les sections relatives à la sécurité. Conserver le manuel d'utilisation en lieu sûr.

**AVERTISSEMENT**

TENIR LES ENFANTS, ANIMAUX DOMESTIQUES ET AUTRES PERSONNES PRÉSENTES À L'ÉCART – NE PAS PERMETTRE AUX ENFANTS DE TOUCHER LA SOUFFLANTE. TENIR LES ENFANTS À UNE DISTANCE SÛRE DE LA ZONE DE TRAVAIL. NE JAMAIS PERMETTRE À UNE PERSONNE SOUFFRANT DE MALADIE MENTALE, SOUS L'INFLUENCE D'ALCOOL OU DE DROGUE OU TROP JEUNE D'UTILISER LA SOUFFLANTE.

NE PAS SE PENCHER EXCESSIVEMENT NI SE TENIR SUR UN SUPPORT INSTABLE - Toujours garder le pied ferme et un bon équilibre.

OPÉRATEURS MULTIPLES - Garder une distance sûre entre plusieurs opérateurs qui travaillent ensemble.

AVERTISSEMENT

LE VENTILATEUR TOURNE PAR INERTIE APRÈS LA MISE À L'ARRÊT.

AVERTISSEMENT

POUR ÉCARTER LES RISQUES DE BLESSURES GRAVES POUR L'OPÉRATEUR ET D'AUTRES, UTILISER LA SOUFFLANTE CORRECTEMENT ET RESPECTER LES MESURES DE PRÉCAUTION.

LIRE ET COMPRENDRE CE QUI SUIT AVANT DE TENTER D'UTILISER CETTE SOUFFLANTE

Avertissements – À ne pas faire**AVERTISSEMENT**

DANGER VENTILATEUR EN ROTATION - GARDER LES MAINS À L'ÉCART. NE PAS ESSAYER D'ENLEVER DES MATIÈRES DE LA PRISE OU DÉCHARGE D'AIR LORSQUE LA SOUFFLANTE EST EN MARCHÉ.

AVERTISSEMENT

DANGER - NE PAS POSER NI DÉPOSER D'ACCESSOIRES PENDANT QUE LA SOUFFLANTE EST EN MARCHÉ. ARRÊTER LE MOTEUR AVANT TOUT CHANGEMENT DE CONFIGURATION. VÉRIFIER QUE L'ACCÉLÉRATEUR EST EN POSITION ARRÊT ET QUE LA SOUFFLANTE EST COMPLÈTEMENT ARRÊTÉE. DÉBRANCHER LE FIL DE LA BOUGIE AVANT D'ENLEVER TOUT MATÉRIEL.

NE PAS DIRIGER LA SORTIE DE LA SOUFFLANTE vers des personnes, des voitures, des vitres ou autres objets similaires susceptibles d'être blessés ou endommagés par les projections de débris.

NE PAS TENTER DE RÉPARER LA SOUFFLANTE — Confier les réparations à un revendeur Little Wonder ou technicien qualifié. Veiller à utiliser exclusivement des pièces de rechange Little Wonder et celles préconisées par le constructeur du moteur.

Avertissements - À faire

PORTER DES VÊTEMENTS APPROPRIÉS — Ne porter ni vêtements lâches ni bijoux. Ils peuvent être happés par les pièces en mouvement. L'utilisation de gants robustes, de chaussures antidérapantes et de lunettes de sécurité est conseillée. Toujours porter une protection auditive lorsque cela est possible. Utiliser un filtre facial pour ne pas respirer la poussière.

RESTER VIGILANT — Faire preuve d'attention et de bons sens. Ne pas utiliser la soufflante lorsqu'on est fatigué.

GARDER LES MAINS À L'ÉCART DE LA PRISE D'AIR ET DE LA GOULOTTE D'ÉJECTION — Garder les deux mains sur le guidon lorsque l'appareil est en marche.

ENTREtenir ET INSPECTER SOIGNEUSEMENT LA SOUFFLANTE — Suivre les instructions d'entretien figurant dans le manuel. Ne pas utiliser la soufflante si le silencieux est défectueux ou manquant.

ENTREPOSER LA SOUFFLANTE À L'INTÉRIEUR

— Lorsque la soufflante n'est pas utilisée, la garder à l'intérieur dans un endroit abrité et sec, hors de la portée des enfants. La soufflante ainsi que le carburant ne doivent pas être conservés à l'intérieur d'une habitation. Garder l'accélérateur en position d'arrêt.

S'ASSURER QUE LA SOUFFLANTE EST ENTIÈREMENT ASSEMBLÉE —

Ne jamais utiliser la soufflante sans toutes les protections et tous les déflecteurs en place. S'assurer que tous les écrous, boulons et vis sont en place et bien serrés.

GARDER L'ACCÉLÉRATEUR EN POSITION D'ARRÊT LORSQUE LA MACHINE N'EST PAS UTILISÉE.

Toujours garder une distance sûre entre plusieurs opérateurs qui travaillent ensemble.



AVERTISSEMENT

ATTENTION ! POUR ÉVITER LES DOMMAGES DU MOTEUR PAR SURCHAUFFE OU SUR-RÉGIME, GARDER LE DÉMARREUR À RAPPEL DU MOTEUR ET LES ZONES DE PRISE D'AIR ET D'ÉJECTION DE LA SOUFFLANTE DÉGAGÉS ET EXEMPTS DE FEUILLES OU AUTRES DÉBRIS.

Avertissements moteur / carburant – A ne pas faire



AVERTISSEMENT

LE CARBURANT EST TRÈS INFLAMMABLE, LE MANIPULER AVEC PRÉCAUTION. POUR ÉCARTER LES RISQUES D'INCENDIE ET DE DOMMAGES CORPORELS ET MATÉRIELS GRAVES, NE PAS REMPLIR LE RÉSERVOIR SI LE MOTEUR EST CHAUD OU S'IL SE TROUVE À PROXIMITÉ D'UNE SOURCE D'INFLAMMATION.

Ne pas fumer en manipulant le carburant.

Ne pas réapprovisionner en carburant un moteur chaud ou en marche.

Ne pas remplir le réservoir à l'intérieur.

ATTENTION — Ne pas démarrer ni faire tourner le moteur à l'intérieur car il dégage du monoxyde de carbone toxique.

Ne pas faire fonctionner dans un endroit non ventilé.

Ne pas utiliser la soufflante lorsque le circuit électrique produit des étincelles en dehors du cylindre. Vérifier la bougie de temps à autres. Pendant l'essai, tenir la bougie à une distance sûre du cylindre pour éviter l'inflammation du carburant s'évaporant du cylindre.

Avertissements moteur / carburant - À faire

MANIPULER L'ESSENCE AVEC PRÉCAUTION. ELLE EST TRÈS INFLAMMABLE. Refaire le plein de carburant avant de commencer à travailler.

Toujours utiliser de l'essence fraîche. L'essence viciée peut causer des fuites.

Toujours tirer le cordon du démarreur lentement jusqu'à rencontrer une résistance. Tirer ensuite le cordon rapidement pour éviter les rebonds et prévenir les blessures au bras ou à la main.

Remettre le bouchon d'essence en place soigneusement. En cas de déversement de carburant, éloigner la soufflante et le récipient de carburant et éviter de créer des sources d'inflammation.

Éviter de déverser du carburant ou de l'huile. Toujours essuyer la machine avant de l'utiliser. Déplacer la machine d'au moins 3 m du point de remplissage avant de démarrer le moteur.

Toujours conserver l'essence dans un récipient approuvé. Remplir le réservoir à l'extérieur en faisant preuve d'une grande prudence.

Assemblage de la soufflante

REMARQUE : Se reporter aux nomenclatures des pièces et aux illustrations aux pages 50 à 53.

1. Placer les montants du guidon **15** sur le dessus de la plate-forme **17** et **18**. Les fixer à l'aide de quatre (4) vis à tête 5/16-18 x 1 -3/4 **19**, quatre (4) rondelles plates 5/16 **16** et quatre (4) écrous en nylon 5/16-18 **1**, en serrant à la main. **(Voir Figure 2)**
2. Poser le guidon **6** à l'aide de quatre (4) vis à tête 5/16-18 x 1-3/4 **19**, huit (8) rondelles 5/16 **16** et quatre (4) écrous en nylon 5/16-18 **1** en serrant à la main. Serrer les écrous et boulons des montants du guidon. Serrer les écrous et boulons du guidon jusqu'à ce que les tubes des montants pincent le guidon. Il est normal pour les tubes des montants de montrer une légère déformation par écrasement. **(Voir Figure 2)**
3. Attachez l'accolade **23** avec deux 5/16-18x2 les vis de bonnet **9**, quatre machines à laver 5/16 **16** et deux noix de nylon 5/16-18 **1**. **(Voir Figure 2)**
4. Fixer le câble d'accélérateur **5** au guidon **6** à l'aide d'une (1) vis à tête 1/4-20 X 1-3/4" **8** et d'un (1) écrou-frein 1/4-20 **10** à travers le trou dans le côté gauche du guidon **6**. Raccorder la pince **4** de l'accélérateur au guidon. **(Voir Figure 2)**
5. Poser la soufflante en arrière sur le guidon et poser le support de roue avant **17** sur les trois goujons sur la partie inférieure avant du carter de soufflante **2**. Fixer à l'aide de trois (3) écrous à bride 5/16-18 **1**. **(Voir Figure 3)**
6. Insérer le manchon d'axe **19** dans la roue à pneumatique avant **18**. Positionner les entretoises de roue **20** sur le manchon d'axe des deux côtés de la roue et poser dans le support de roue avant **17**. Insérer un boulon d'axe 3/8-16 x 5 -1/2 **16** à travers le support de roue et le manchon d'axe. Fixer à l'aide de l'écrou d'axe 3/8-16 **15**. **(Voir Figure 3)**

REMARQUE : Un serrage excessif de la vis sur les commandes montées à gauche pourrait les endommager.



AVERTISSEMENT

TOUS LES MOTEURS DE SOUFFLANTE LITTLE WONDER SONT EXPÉDIÉES SANS HUILE. REMPLIR AVEC DE L'HUILE SAE 30. VOIR LES INSTRUCTIONS D'UTILISATION DU MOTEUR DANS LE MANUEL D'INSTRUCTIONS DU CONSTRUCTEUR DE MOTEUR

INSTRUCTIONS D'UTILISATION

Le fonctionnement du moteur est décrit dans le manuel du moteur.

Little Wonder recommande l'utilisation d'huile SAE 30. L'utilisation d'huile à viscosité multiple provoque une forte consommation d'huile et peut endommager le moteur.

Les feuilles, le chaume et autres débris peuvent être amassés en bancs ou en tas simplement en manœuvrant la machine pour diriger le souffle d'air en conséquence.

Le souffle d'air peut être dirigé vers le côté ou l'avant à l'aide du déflecteur à deux positions. La position de décharge avant est utilisée pour éliminer les débris le long des murs, clôtures, etc. La position de décharge latérale est utilisée pour former des bancs ou des tas. Le déflecteur horizontal dirige l'air vers le bas pour « buriner » sous les feuilles et les débris mouillés et lourds. La vitesse de l'air se contrôle par la commande d'accélérateur.

Le déplacement du déflecteur vers le trou supérieur permet de diriger un plus grand volume d'air vers le bas. Le déplacement du déflecteur vers le trou inférieur permet de diriger un plus grand volume d'air vers le haut. Pour réduire la formation de bancs ou pour souffler par-dessus un obstacle, diriger le déflecteur vers le haut.

De légers changements du déflecteur ont un effet considérable sur l'écoulement d'air. Il convient d'expérimenter jusqu'à obtenir la meilleure position pour la tâche à effectuer.

Pour optimiser les performances, s'assurer que le démarreur à rappel et les zones de prise d'air et d'éjection de la soufflante sont dégagés et exempts de feuilles ou autres débris.

ENTRETIEN

Maintenir tous les écrous, boulons et vis serrés.

Ne jamais entreposer la soufflante avec du carburant dans le réservoir à l'intérieur d'un bâtiment ou dans un endroit fermé où les vapeurs peuvent une flamme nue ou des étincelles.

Toujours consulter les indications importantes du manuel si le produit doit être entreposé pendant une durée prolongée.

Moteur - 4 temps. (Voir le carburant conseillé et autres renseignements supplémentaires dans les instructions du constructeur de moteur.)

Pneus - sans chambre à air. Gonfler à une pression de 2,1 kg/cm² (30 P.S.I.).

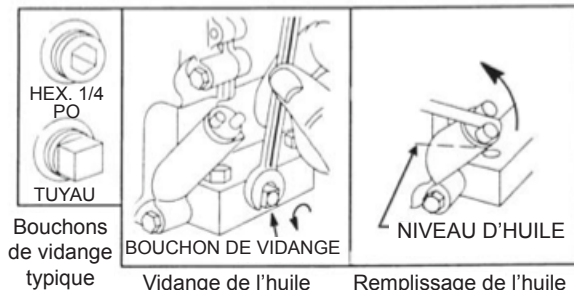
Les autocollants doivent être contrôlés avant chaque utilisation. Remplacer immédiatement les autocollants endommagés.

Contrôler régulièrement le niveau d'huile

Veiller à maintenir un niveau correct d'huile. Vérifier le niveau d'huile toutes les 5 heures d'exploitation ou, chaque jour, avant de démarrer le moteur. Utiliser de l'huile SAE 30. Changer l'huile après les 5 premières heures d'exploitation. Ouvrir le bouchon de vidange et vidanger l'huile pendant que le moteur est chaud. Remettre le bouchon de vidange en place. Ouvrir le bouchon d'huile et remplir d'huile fraîche. Démarrer le moteur et le faire tourner au ralenti pendant 30 secondes. Arrêter le moteur. Attendre 30 secondes et revérifier le niveau d'huile. Au besoin, compléter le niveau d'huile jusqu'au débordement par le bouchon de remplissage.

AVERTISSEMENT

POUR ÉVITER LES DÉMARRAGES ACCIDENTELS, DÉBRANCHER LE FIL DE BOUGIE LORS DE L'ENTRETIEN DU MOTEUR OU DU MATÉRIEL.



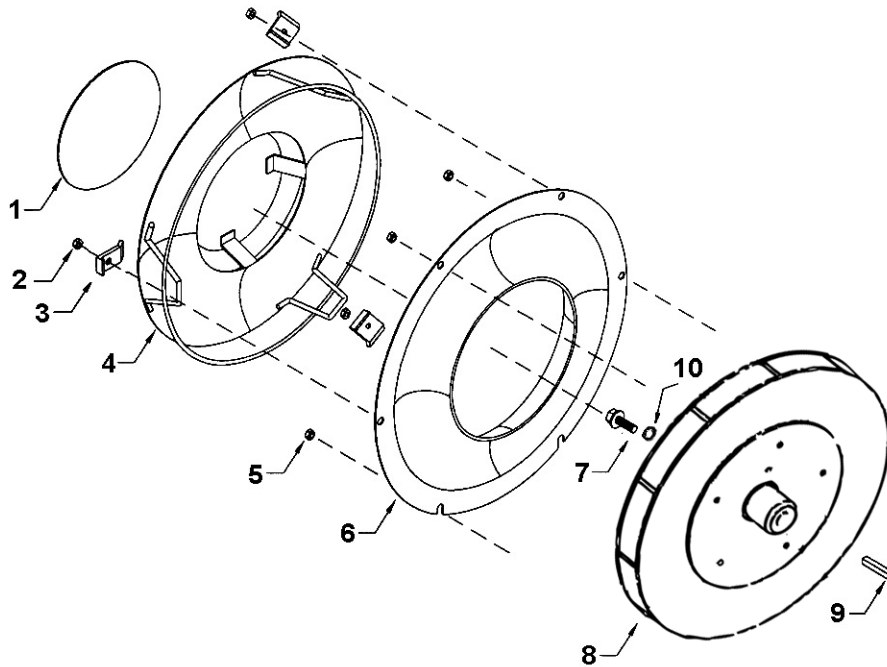
HEX. 1/4
PO
TUYAU
Bouchons
de vidange
typique

BOUCHON DE VIDANGE
Vidange de l'huile

NIVEAU D'HUILE
Remplissage de l'huile

Emplacement	Description	Réf.	Couple mini. pi-lbs (po-lbs)	Couple maxi. pi-lbs (po-lbs)
Carter à face du moteur	BOUL BRIDE 5/16-24 x 3/4	910503	22 (264)	28 (336)
Plate-forme à carter	ÉCROU 5/16-18	64141-6	16 (192)	22 (276)
Moteur à plate-forme	BOUL 5/16-18X1-1/2	64262-009	19 (228)	25 (300)
Montant de guidon à plate-forme	BOUL 5/16-18X1-3/4	64123-61	19 (228)	25 (300)
Guidon à montant de guidon	BOUL 5/16-18X1-3/4	64123-61	19 (228)	25 (300)
L'accolade pour baisser la poignée	BOUL 5/16-18X2	64123-56	19 (228)	19 (228)
Accélérateur à guidon	BOUL 1/4-20X1-3/4	90-0414	4 (48)	6 (72)
Défecteur intérieur à crochet	BOUL BRIDE10-32 X 5/8	64139-26	(52)	(71)
Ventilateur à vilebrequin	BOUL 5/16-24X2.0 GR8	64123-263	30	50
Panneau avant à carter (goujon court)	ÉCROU 5/16-18	64141-6	16 (192)	22 (276)
Bride de capot d'admission (goujon long)	ÉCROU NYLOC 5/16-18	64229-02		8 (100)
Support de roue à carter	ÉCROU BRIDE 5/16-18	64141-6	16 (192)	22 (276)
Boulon d'essieu de roue avant	BOUL 3/8-16 X 5-1/2 GR5	64123-252	34	45

FIGURE 1

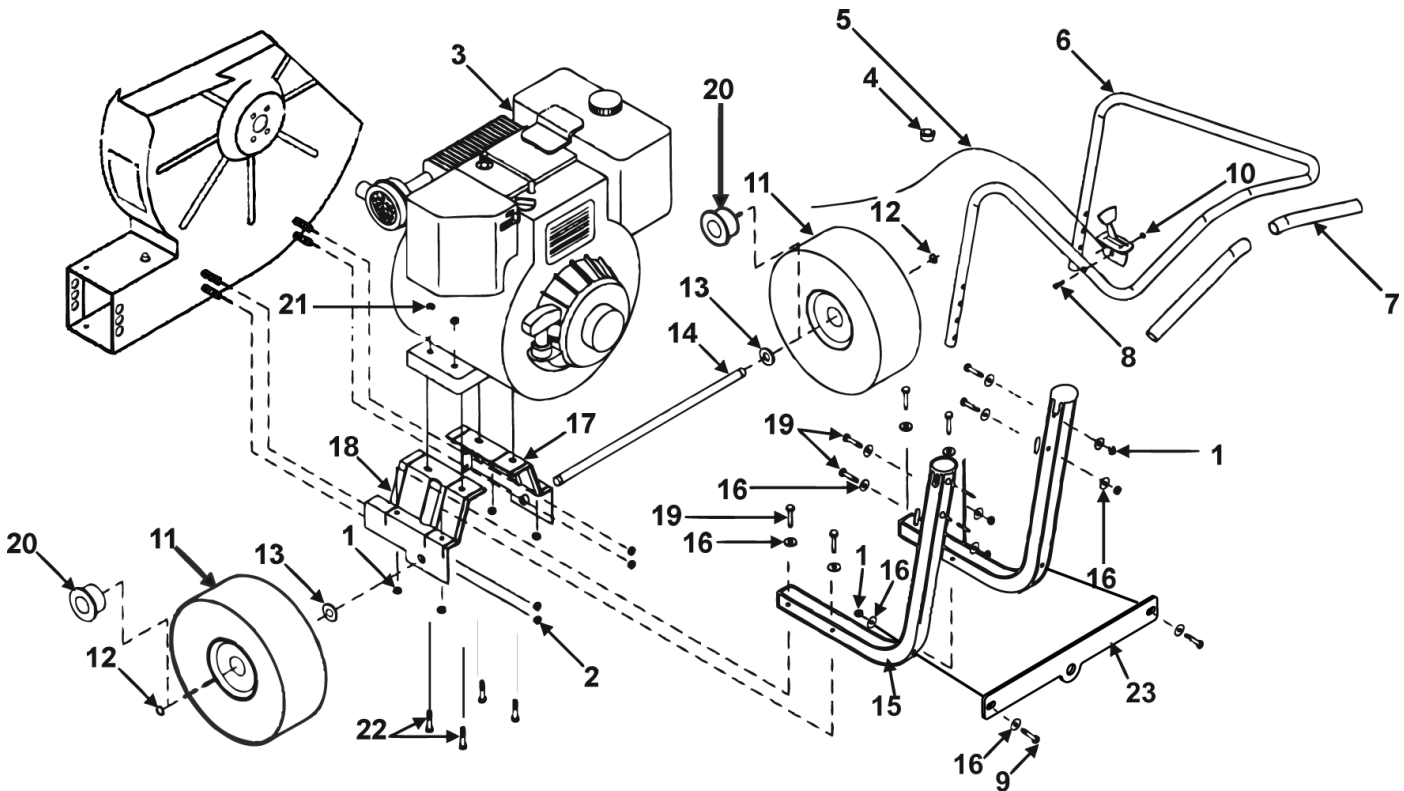


ITEM	PART NO.	DESCRIPTION	QTY	ITEM	PART NO.	DESCRIPTION	QTY
1-1	920600	ÉTIQUETTE-CAPOTADMISSION	1				
1-2	64229-02	ÉCROU FREIN-NYL 5/16-18	3				
1-3	911130	BRIDE-CAPOT ADMISSION	3				
1-4	921101.17	CAPOT D'ADMISSION	1				
1-5	64141-6	ÉCROU 5/16-18	3				
1-6	921121.10	PANNEAU AVANT	1				
1-7	64123-263	BOUL HEX 5/16-24X2.0 GR8	1				
1-8	920200	VENTILATEUR-5HP (INCLUT ITEM 7,9 & 10)	1				
1-9	64164-33	CLAVETTE, 3/16X3/16X1 3/4	1				
1-10	64163-92	RONDELLE .328X1X.19	1				

MOTEUR

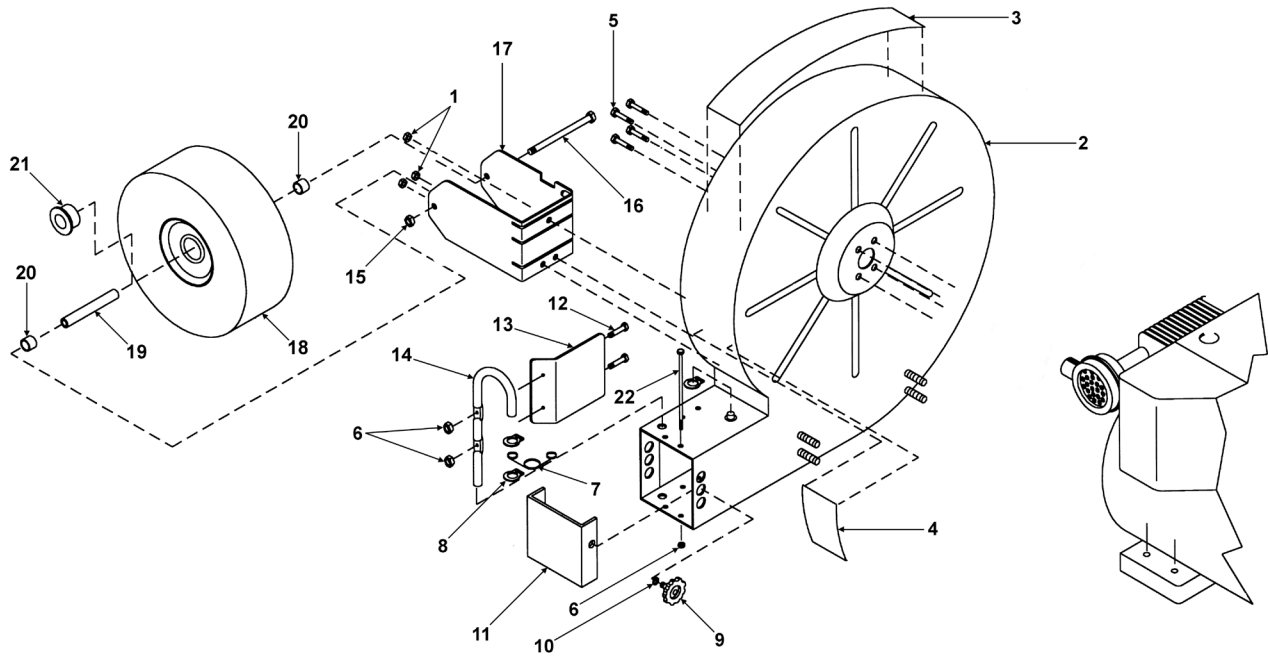
SHO BLOWER

FIGURE 2



REP.	No DE RÉF.	DESCRIPTION	QTÉ
2-1	64229-02	ÉCROU FREIN-NYL 5/16-18	10
2-2	64141-6	ÉCROU 5/16-18	4
2-3	910916	MOTEUR-5HP HONDA	1
2-4	946	ATTACHE ACCÉLÉRATEUR	1
2-5	4164159-01	CÂBLE D'ACCÉLÉRATEUR	1
2-6	900300	GUIDON (INCLUT DEUX 900303)	1
2-7	900303	POIGNÉE	2
2-8	90-0414	BOULON-1/4-20 X 1-3/4	1
2-9	64123-56	BOULON-HEX 5/16-18X2	2
2-10	64151-8	ÉCROU FREIN-1/4-20 BI-DIR	1
2-11	4164204	ROUE	2
2-12	64144-36	ANNEAU RAPIDE .625	2
2-13	4164192-01	ENTRETOISE-MÉTAL EN POUDRE .635X1X.25	2

REP.	No DE RÉF.	DESCRIPTION	QTÉ
2-14	4164178	AXE	1
2-15	916-2.10	MONTANT DE GUIDON	2
2-16	64163-55	RONDELLE PLATE-5/16	16
2-17	920008.7	PLATE-FORME-DR	1
2-18	920010.7	PLATE-FORME-GCH 1	1
2-19	64123-61	BOUL HEX 5/16-18X1-3/4	8
2-20	4164204-01	PALIER ROUE	4
2-21	64268-02	ÉCROU-FR BRIDE NYLON 5/16-18	4
2-22	64123-009	BOUL HEX 5/16-18X1-1/2	4
2-23	4164185.10	ACCOLADE-SOUFFLANTE	1



ITEM	PART NO.	DESCRIPTION	QTY	ITEM	PART NO.	DESCRIPTION	QTY
3-1	64141-6	ÉCROU 5/16-18	3	3-15	64151-18	ÉCROU FREIN-3/8-16 BI-DIR	1
3-2	4164206	CARTER-5/6HP (INCLUT L'ARTICLE 4)	1	3-16	64123-252	BOUL HEX 3/8-16 X 5-1/2	1
3-3	910611	ÉTIQUETTE-CARTER INF 5HP	1	3-17	910403.10	SUPPRT ROUE AVT	1
3-4	910609	ÉTIQUETTE AVERTISSEMENT	1	3-18	4164205	ROUE PNEUMATIQUE	1
3-5	910503	BOUL-BRIDE 5/16-24 X 3/4	4	3-19	900404	MANCHON ROUE	1
3-6	64151-31	ÉCROU FREIN-10-32	6	3-20	900405	ENTRETOISE SUP ROUE AVT	2
3-7	910130	RESSORT DE DÉFLECTEUR	1	3-21	4164204-01	PALIER DE ROUE	2
3-8	8-18	BAGUE DE RETENUE	3	3-22	64152-68	VIS 10-32X5-1/2 HH	4
3-9	910131	BOUTON DE SERRAGE	1				
3-10	64002-04	RONDELLE FREIN-5/16	1				
3-11	910101.10	DÉFLECTEUR LAT	1				
3-12	64139-26	BOUL BRIDE 10-32 X 5/8	2				
3-13	910106.10	DÉFLECTEUR INT	1				
3-14	910132	MANCHE DE DÉFLECTEUR	1				

POLITIQUE DE SERVICE ET DE GARANTIE LIMITÉE POUR CINQ ANS POUR LES SOUFLANTES À DÉBIT MAXIMAL À MOTEUR À ESSENCE

Toutes les soufflantes à essence à grand débit **Little Wonder** sont garanties contre les vices de matériaux et d'exécution pendant une période de CINQ ANS depuis la date d'achat, lorsqu'elles sont utilisées à FINS RÉSIDENTIELLES ou à FINS COMMERCIALES. Toute soufflante à débit maximal à moteur à essence. **Little Wonder** ou pièce qui s'avère défectueuse durant la période de garantie doit être renvoyée à un revendeur agréé **Little Wonder**.

Les moteurs de tous les produits à essence sont garantis séparément par le constructeur du moteur. Par conséquent, aucune garantie, explicite ou implicite, n'est fournie par **Little Wonder** sur les moteurs des produits à essence.

Les frais de transport des pièces détachées et des appareils renvoyés en vue de leur remplacement dans le cadre de cette garantie incombent à l'acheteur.

CETTE GARANTIE sera de nul effet si le produit a fait l'objet d'une utilisation erronée, de négligence ou d'un accident, ou si le produit a été réparé ou altéré à l'extérieur de notre usine de Southampton ou d'un centre de réparation agréé d'une manière qui influe sur son état ou son fonctionnement.

Little Wonder décline toute responsabilité en cas de dommages particuliers indirects ou accessoires liés à la défectuosité de l'équipement. Aucune garantie implicite, notamment garantie de qualité marchande ou d'aptitude à une fin particulière, ne s'étend au-delà de la période de garantie spécifiée ci-dessus.

LA PRÉSENTE GARANTIE n'est valide que si la fiche jointe de garantie et inscription a été correctement remplie et renvoyée à Little Wonder, Schiller Grounds Care, Inc. au moment de l'achat.



AVERTISSEMENT



DANGER



L'ÉCHAPPEMENT DU MOTEUR DE CE PRODUIT CONTIENT
DES PRODUITS CHIMIQUES DÉCLARÉS PAR L'ÉTAT DE LA
CALIFORNIE RESPONSABLES DE CANCER, MALFORMATIONS
CONGÉNITALES OU AUTRES ANOMALIES DE LA
REPRODUCTION.

LITTLE WONDER®

SCHILLER GROUNDS CARE., INC.
1028 STREET ROAD, P.O. BOX 38
SOUTHAMPTON, PA 18966

TÉLÉPHONE 877-596-6337 • TÉLÉCOPIEUR 215-357-8045

www.littlewonder.com

Les caractéristiques, descriptions et illustrations de ce guide sont exactes au mieux de notre connaissance au moment de la publication, mais elles sont susceptibles d'être modifiées sans préavis.

Free Manuals Download Website

<http://myh66.com>

<http://usermanuals.us>

<http://www.somanuals.com>

<http://www.4manuals.cc>

<http://www.manual-lib.com>

<http://www.404manual.com>

<http://www.luxmanual.com>

<http://aubethermostatmanual.com>

Golf course search by state

<http://golfingnear.com>

Email search by domain

<http://emailbydomain.com>

Auto manuals search

<http://auto.somanuals.com>

TV manuals search

<http://tv.somanuals.com>