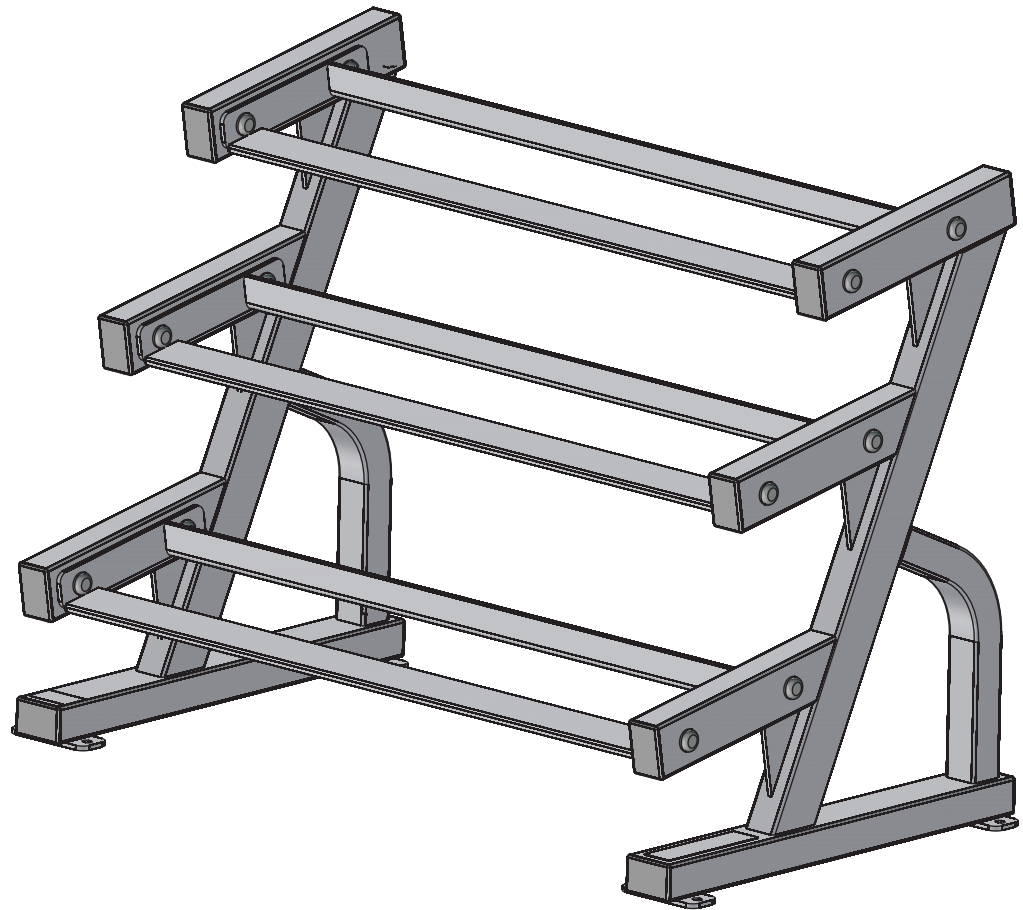


3 Tier Dumbbell Rack

Owners Manual



LifeFitness

3 Tier Dumbbell Rack

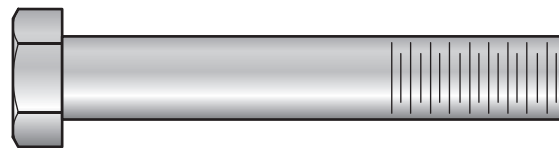
1. Assembly Instructions

Item	Qty	Description	Part Number
1	3	Tier	AP04-0807 (WHT)(PLT)
2	1	Left End	AP04-0806L (WHT)(PLT)
3	1	Right End	AP04-0806R (WHT)(PLT)
4	12	3/8 x 67mm Bolt	DA1C03806716NU
5	24	3/8 Washer	DC120010510U
6	24	3/8 RH Washer	P05-0009
7	12	3/8 Lock Nut	DB2E03807200U
8	12	Black RH Cap	P06-0021
9	12	RH Cap	P06-0021 (WHT)(PLT)

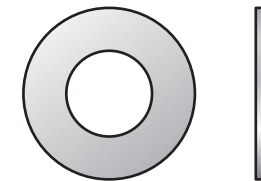
Tools Required:

- 9/16 Wrench
- Ratchet - 9/16 Socket
- Rubber Mallet

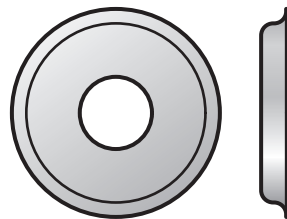
4)



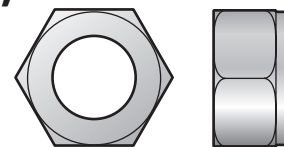
5)



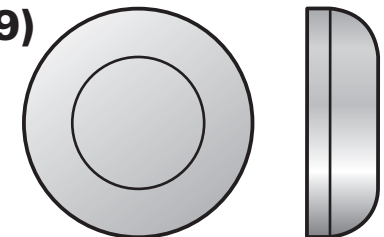
6)



7)



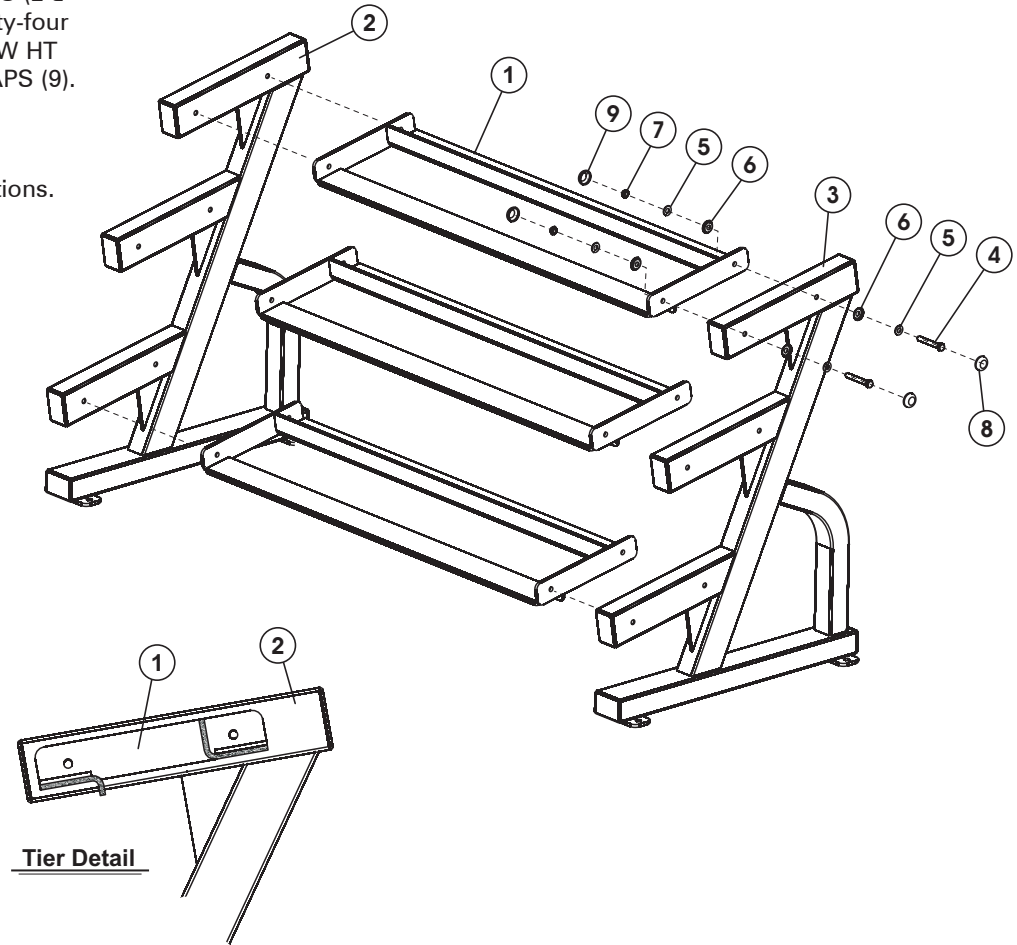
8 & 9)



1. LOOSELY assemble the three TIERS (1) between the LEFT and RIGHT ENDS (2 & 3) starting with the bottom tier, using twelve 3/8 X 67mm BOLTS (4), twenty-four 3/8" SAE WASHERS (5), twenty-four 3/8" RH WASHERS (6), twelve 3/8" LOW HT LOCK NUTS (7), twelve BLACK RH CAPS (8) and twelve frame color RH CAPS (9).

NOTE: Make sure the TIERS are oriented correctly. The larger angle flange should face upward. See DETAIL.

2. Starting with the BOTTOM TIER, SECURELY tighten all twelve bolt connections. Snap on the twenty-four RH CAPS (8 & 9).



LifeFitness

3 Tier Dumbbell Rack

2. Safety & Warranty

It is the sole responsibility of the purchaser of LIFE FITNESS products to instruct all individuals, whether they are the end user or supervising personnel on proper usage of the equipment.

It is recommended that all users of LIFE FITNESS exercise equipment be informed of the following information prior to its use.

PROPER USAGE

1. Do not use any equipment in any way other than designed or intended by the manufacturer. It is imperative that all LIFE FITNESS equipment is used properly to avoid injury.
2. Keep hands and feet clear at all times from moving parts to avoid injury.

CHECK FOR DAMAGED PARTS

1. DO NOT use any equipment that is damaged and or has worn or broken parts. Use only replacement parts supplied by LIFE FITNESS.
2. MAINTAIN LABELS AND NAMEPLATES: Do not remove labels for any reason. They contain important information. If unreadable or missing, contact LIFE FITNESS for a replacement.
3. SECURING EQUIPMENT: All equipment MUST be secured to the floor to stabilize and eliminate rocking or tipping over. This must be performed by a licensed contractor.
4. Ensure that any person(s) making adjustments or performing maintenance or repair of any kind is qualified to do so. LIFE FITNESS will provide service and maintenance training at our corporate facility upon request or in the field if proper arrangements are made.

SPECIFIC OPERATING WARNINGS

1. Do not allow users to wear loose fitting clothing while using equipment. It is also recommended to have users secure long hair back and up to avoid contact with moving parts.
2. It is the purchaser's sole responsibility to properly instruct its end users and supervising personnel as to the proper operating procedures of all LIFE FITNESS equipment.
3. Keep children away from strength equipment. Parent or others supervising children must provide close supervision of children if the equipment is used in the presence of children.
4. UNDERSTANDING EACH AND EVERY WARNING TO THE FULLEST IS IMPORTANT. IF ANY OF THESE WARNINGS ARE UNCLEAR, ASK FOR CLARIFICATION FROM LIFE FITNESS PERSONNEL.
5. It is recommended that all individuals consult a physician prior to commencing an exercise program. If at any time during exercise you feel faint, dizzy or experience pain, stop and consult your physician.

WARRANTY

WHAT IS COVERED

This Life Fitness commercial exercise equipment (3 Tier Dumbbell Rack) is warranted to be free of all defects in material and workmanship.

WHO IS COVERED

The original purchaser or any person receiving the Product as a gift from the original purchaser.

WHO PAYS TRANSPORTATION & INSURANCE FOR SERVICE

If the Product or any covered part must be returned to a service facility for repairs, We, Life Fitness, will pay all transportation and insurance charges for the first year. You are responsible for transportation and insurance charges during the second and third years (if applicable).

WHAT WE WILL DO TO CORRECT COVERED DEFECTS

We will ship to you any new or rebuilt replacement part or component, or, at our option, replace the Product. Such replacement parts are warranted for the remaining portion of the original warranty period.

WHAT IS NOT COVERED

Any failures or damage caused by unauthorized service, misuse, accident, negligence, improper assembly or installation, debris resulting from any construction activities in the Product's environment, rust or corrosion as a result of the Product's location, alterations or modifications without our written authorization or by failure on your part to use, operate and maintain the Product as set out in your Operation Manual (.Manual.). All terms of this warranty are void if this product is moved beyond the continental borders of the United States of America (excluding Alaska, Hawaii and Canada) and are then subject to the terms provided by that country's local authorized Life Fitness representative.

OPERATION MANUAL

It is VERY IMPORTANT THAT YOU READ THIS MANUAL before operating the Product. Remember to perform the periodic maintenance requirements specified in the Manual to assure proper operation and your continued satisfaction.

HOW TO GET PARTS & SERVICE

Simply call Customer Support Services at (800) 351-3737 or (847) 451-0036, Monday through Friday from 8:00 a.m. to 6:00 p.m. Central Standard Time, and tell them your name, address and the serial number of your Product. They will tell you how to get a replacement part, or, if necessary, arrange for service where your Product is located or advise you on how and where to ship the Product for service. Before shipping:

1. Obtain a Return Authorization Number (RA#) from Customer Support Services
2. Securely pack your Product (use the original shipping carton, if possible)
3. Write the RA# on the outside of the carton
4. Insure the Product, and
5. Include a letter explaining the defect or problem and a copy of your proof of purchase if you believe the service is covered by warranty

The logo for Life Fitness, featuring the words "Life Fitness" in a stylized, red, cursive font.

3 Tier Dumbbell Rack

2. Safety & Warranty

EXCLUSIVE WARRANTY

THIS LIMITED WARRANTY IS IN LIEU OF ALL OTHER WARRANTIES OF ANY KIND EITHER EXPRESSED OR IMPLIED, INCLUDING BUT NOT LIMITED TO THE IMPLIED WARRANTIES OF MERCHANTABILITY AND FITNESS FOR A PARTICULAR PURPOSE, AND ALL OTHER OBLIGATIONS OR LIABILITIES ON OUR PART. We neither assume nor authorize any person to assure for us any other obligation or liability concerning the sale of this Product. Under no circumstances shall we be liable under this warranty, or otherwise, of any damage to any person or property, including any lost profits or lost savings, for any special, indirect, secondary, incidental or consequential damages of any nature arising out of the use of or inability to use this Product. Some states do not allow the exclusion or limitation of implied warranties or of liability for incidental or consequential damages, so the above limitations or exclusions may not apply to you.

CHANGES IN WARRANTY NOT AUTHORIZED

No one is authorized to change, modify or extend the terms of this limited warranty.

EFFECT OF STATE LAWS

This warranty gives you specific legal rights and you may have other rights, which vary, from state to state.

OUR PLEDGE TO YOU

Our Products are designed and manufactured to the highest standards.

We want you completely satisfied with our Products and will do everything possible under the terms of this warranty to keep you secure in knowing you have bought the best!

3 Tier Dumbbell Rack

3. Specifications

General Specifications

1. Frame Construction

Frame is constructed of mechanical quality steel purchased in mill run quantities
Frame is primarily 2 x 3 tubing with 11 gauge wall thickness.

2. Frame Finish

Prior to applying finish, each part is chemically washed to prepare surface for maximum adhesion

3. Bolts

All hardware is metric length and has a corrosion resistant finish.

4. Warranty

A 10-year minimum warranty on structural frames (excluding surface finish) and 90 days on any items not specified.

5. Liability Insurance

Certificate of insurance available upon request

Product Specifications

3 TIER DUMBBELL RACK

Product # **CSDB3T**

Size:

in = 27L x 50W x 34.5H cm = 69L x 127W x 88H



3 Tier Dumbbell Rack

4. Maintenance

INSPECT

- Hardware should be checked for looseness. Tighten as required using 9/16 wrench and 9/16 socket.
- Frames should be inspected for wear or damage. All paint chips should be filled immediately with touch-up paint.

ONCE A WEEK

- Visually inspect all hardware for loosening, tampering or wear.

ACTION	MONTHLY	BI-ANNUALLY
INSPECT		
Hardware	X	
Frame		X

Free Manuals Download Website

<http://myh66.com>

<http://usermanuals.us>

<http://www.somanuals.com>

<http://www.4manuals.cc>

<http://www.manual-lib.com>

<http://www.404manual.com>

<http://www.luxmanual.com>

<http://aubethermostatmanual.com>

Golf course search by state

<http://golfingnear.com>

Email search by domain

<http://emailbydomain.com>

Auto manuals search

<http://auto.somanuals.com>

TV manuals search

<http://tv.somanuals.com>