



HEARTH PRODUCTS

GAS APPLIANCE KITS AND ACCESSORIES

750,217M REV. A 06/2007

GAS CONVERSION KIT

WARNING: THIS CONVERSION KIT SHALL BE INSTALLED BY A QUALIFIED SERVICE AGENCY IN ACCORDANCE WITH THE MANUFACTURER'S INSTRUCTIONS AND ALL APPLICABLE CODES AND REQUIREMENTS OF THE AUTHORIZED HAVING JURISDICTION. IF THE INFORMATION IN THESE INSTRUCTIONS IS NOT FOLLOWED EXACTLY, A FIRE, EXPLOSION OR PRODUCTION OF CARBON MONOXIDE MAY RESULT CAUSING PROPERTY DAMAGE, PERSONAL INJURY OR LOSS OF LIFE. THE INSTALLATION IS NOT PROPER AND COMPLETE UNTIL THE OPERATION OF THE CONVERTED APPLIANCE IS CHECKED AS SPECIFIED IN THE OWNER INSTRUCTIONS SUPPLIED WITH THE KIT. THE QUALIFIED SERVICE AGENCY PERFORMING THIS INSTALLATION ASSUMES RESPONSIBILITY FOR THIS CONVERSION.

AVERTISSEMENT: CET ÉQUIPEMENT DE CONVERSION SERA INSTALLÉ PAR UNE AGENCE QUALIFIÉE DE SERVICE CONFORMÉMENT AUX INSTRUCTIONS DU FABRICANT ET TOUTES EXIGENCES ET CODES APPLICABLES DE L'AUTORISÉS AVOIR LA JURIDICTION. SI L'INFORMATION DANS CETTE INSTRUCTION N'EST PAS SUIVIE EXACTEMENT, UN FEU, EXPLOSION OU PRODUCTION DE PROTOXYDE DE CARBONE PEUT RÉSULTER LE DOMMAGES CAUSER DE PROPRIÉTÉ, PERTE OU BLESSURE PERSONNELLE DE VIE. L'AGENCE QUALIFIÉE DE SERVICE EST ESPONSABLE DE L'INSTALLATION PROPRE DE CET ÉQUIPEMENT. L'INSTALLATION N'EST PAS PROPRE ET COMPLÈTE JUSQU'À L'OPÉRATION DE L'APPAREIL CONVERTI EST CHÉQUE SUIVANT LES CRITÈRES ÉTABLIS DANS LES INSTRUCTIONS DE PROPRIÉTAIRE PROVISIONNÉES AVEC L'ÉQUIPEMENT.

In Canada:

THE CONVERSION SHALL BE CARRIED OUT IN ACCORDANCE WITH THE REQUIREMENTS OF THE PROVINCIAL AUTHORITIES HAVING JURISDICTION AND IN ACCORDANCE WITH THE REQUIREMENTS OF THE CAN1-B149.1 AND .2 INSTALLATION CODE.

LA CONVERSION DEVRA ÊTRE EFFECTUÉE CONFORMÉMENT AUX RECOMMANDATIONS DES AUTORITÉS PROVINCIALES AYANT JURIDICTION ET CONFORMÉMENT AUX EXIGENCES DU CODE D'INSTALLATION CAN1-B149.1 ET .2.

Gas conversion kits are available to adapt your appliance from the use of one type of gas to the use of another. These kits contain all the necessary components needed to complete the task including labeling that must be affixed to ensure safe operation.

Kit part numbers are listed here and the following steps detail the conversion procedure.

CAUTION: THE GAS SUPPLY SHALL BE SHUT OFF PRIOR TO DISCONNECTING THE ELECTRICAL POWER, BEFORE PROCEEDING WITH THE CONVERSION.

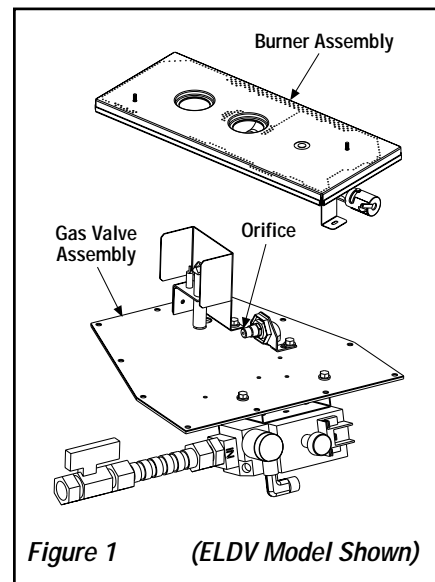
Table with 3 columns: Models No., Unit Type, Catalog No. for Natural To Propane Gas Conversion Kit.

Table with 3 columns: Model No., Unit Type, Catalog No. for Propane to Natural Gas Conversion Kit.

Step 1. Turn off the gas supply to the appliance and disconnect the electrical power. Remove the front glass door from the appliance.

Step 2. Carefully remove the logs. Exercise care so as not to break the logs.

Step 3. Refer to Figure 1. Remove the burner assembly with attached venturi tube.



NOTE: DIAGRAMS & ILLUSTRATIONS NOT TO SCALE.

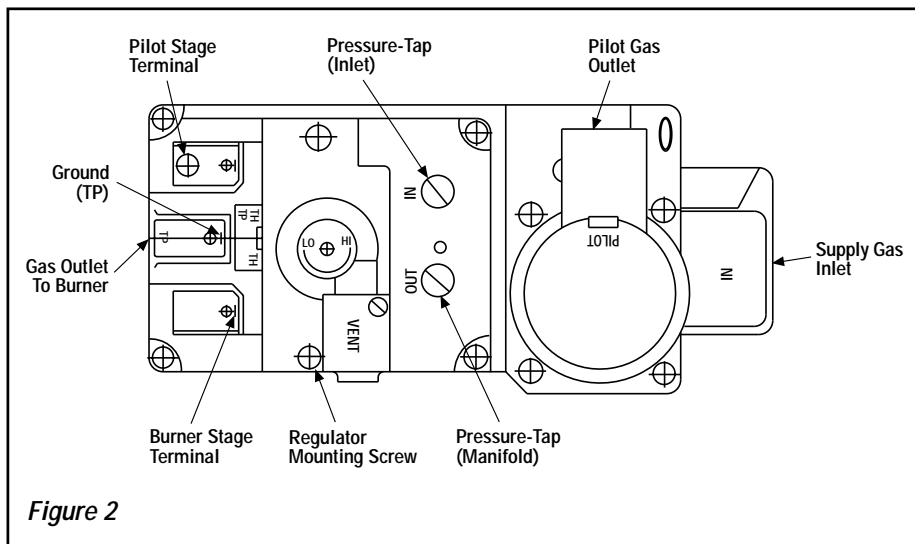


Figure 2

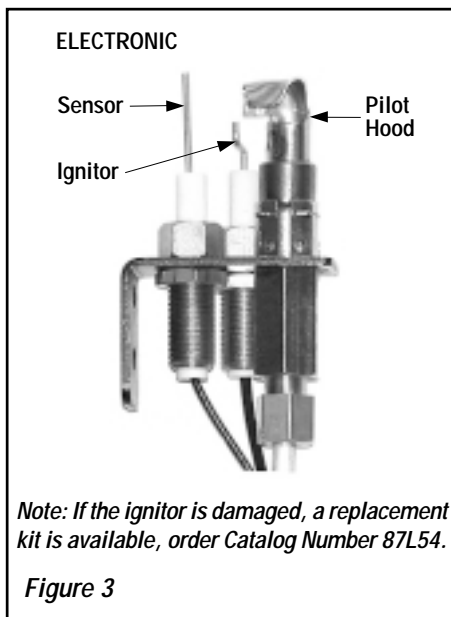


Figure 3

### Electronic Appliances

**Step 4. DEXEN Electronic Valves** - See *Figure 2* and the instructions provided with the kit. Remove and discard the two pressure regulator mounting screws. Remove the pressure regulator and diaphragm. Discard all removed components. Ensure the provided diaphragm is installed properly onto the replacement pressure regulator and install the new pressure regulator using the new screws supplied with the kit. Tighten screws.

See *Figure 3* and replace the pilot orifice as follows: Remove pilot hood assembly to access the phillipped pilot orifice. Remove and replace the orifice with the one provided with the kit.

Exercise extreme care to prevent damage to or breakage of the ignitor assembly.

### Step 5. (Refer to *Figure 1*)

**A.** Remove the orifice from the manifold and replace it with the one provided in the kit. See the following table for orifice sizes for natural and propane models. *Figure 4* illustrates the orifice.

**B.** Retrieve the burner and slide the venturi tube over the orifice. Set the shutter adjusting opening as shown in *Figure 5*.

Model No.	Orifice size	
	Natural	Propane
ELDV35	#38	#53
ELDV40	#37	0.062"
ELDV45	#36	0.065"
MPLDV30	0.070"	#61
MPLDV35	#56	#47
MPLDV40	#41	#54
MPLDV45	#40	#53

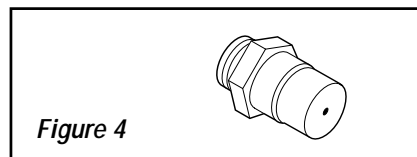
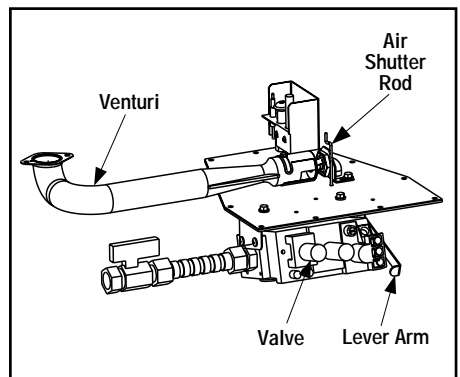


Figure 4

**Step 6.** Reassemble the remaining components by reversing the procedures outlined in the preceding steps.

Use pipe joint compound or Teflon tape on all pipe fittings before installing (ensure propane resistant compounds are used in propane applications, do not use pipe joint compounds on flare fittings).



### MAIN BURNER FACTORY SHUTTER OPENING SETTING

Models	Natural Gas inches (mm)	Propane Gas inches (mm)
ELDV35	1/8 (3.2)	3/8 (9.5)
ELDV40	1/16 (1.6)	3/8 (9.5)
ELDV45	1/8 (3.2)	3/8 (9.5)
MPLDV30	3/32 (2.4)	3/16 (4.7)
MPLDV35	3/32 (2.4)	1/8 (1.6)
MPLDV40	3/16 (4.7)	3/8 (9.5)
MPLDV45	3/16 (4.7)	1/2 (12.7)

Figure 5

**Step 7.** Attach appropriate conversion kit label (*Figure 6*) to the rating plate on the appliance.

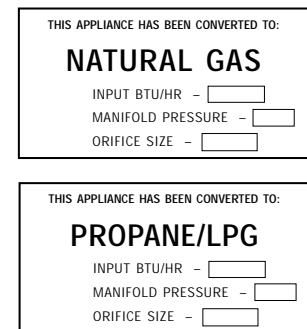


Figure 6

**Step 8.** Turn on gas supply and test for gas leaks, using a soapy water solution.

NOTE: DIAGRAMS & ILLUSTRATIONS NOT TO SCALE.

Lennox Hearth Products reserves the right to make changes at any time, without notice, in design, materials, specifications, prices and also to discontinue colors, styles and products. Consult your local distributor for fireplace code information.

## Free Manuals Download Website

<http://myh66.com>

<http://usermanuals.us>

<http://www.somanuals.com>

<http://www.4manuals.cc>

<http://www.manual-lib.com>

<http://www.404manual.com>

<http://www.luxmanual.com>

<http://aubethermostatmanual.com>

Golf course search by state

<http://golfingnear.com>

Email search by domain

<http://emailbydomain.com>

Auto manuals search

<http://auto.somanuals.com>

TV manuals search

<http://tv.somanuals.com>