



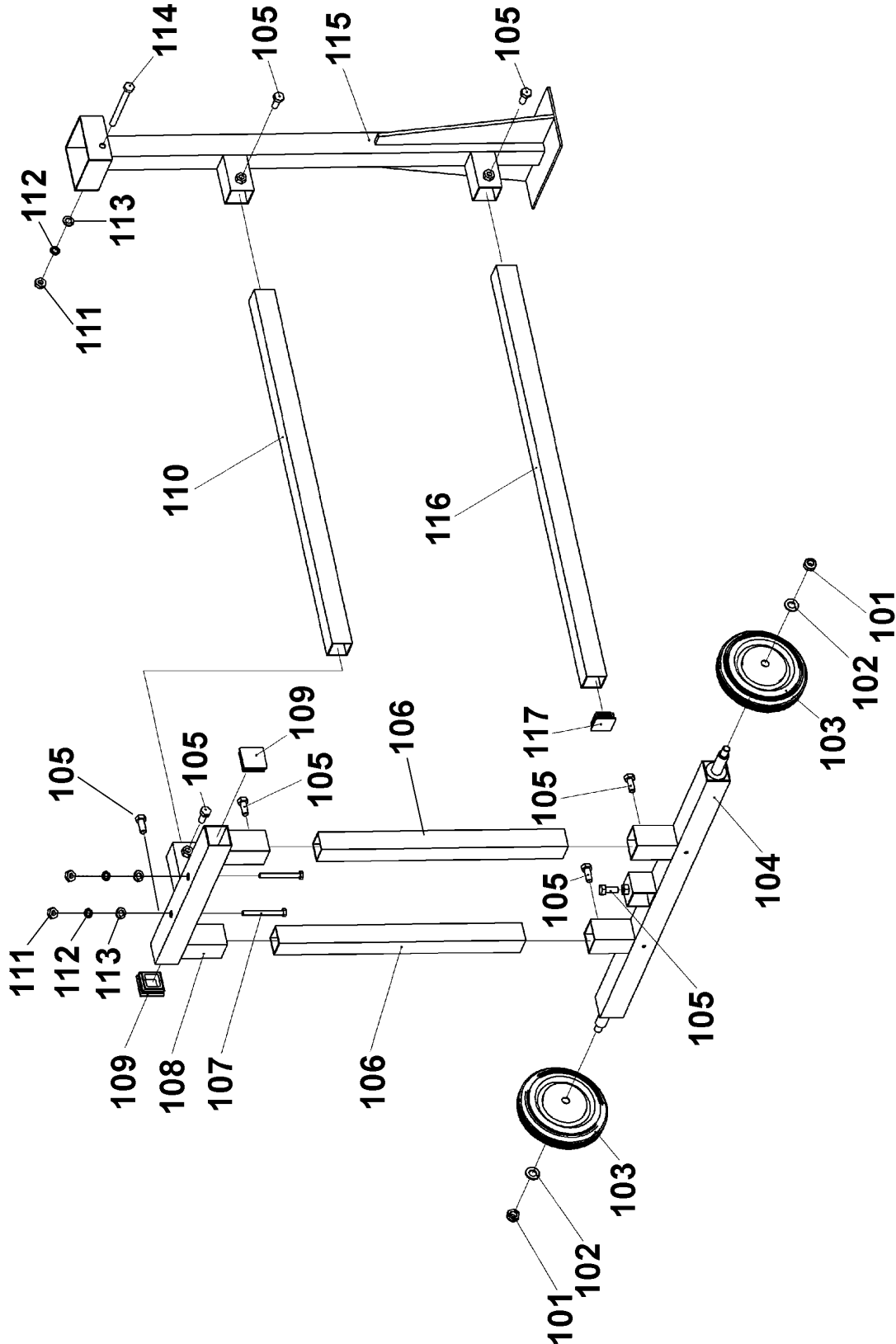
Service Manual / Manuel de Service

# Stand for Log Splitter Support pour Fendeuse



Revised/Revisé 08/2008

**SS-5LS**





## Parts Pricing List / Liste de Prix des Pièces

# SS-5LS

Diag.	Order # Com.	English Description	Description Française	Qty./Qté.	Price/Prix
101	7700501010	NYLON HEX. NUT	ECROU HEXAGONAL AVEC NYLON	2	\$2.13
102	7700501020	LARGE WASHER	GRANDE RONDELLE	2	\$1.55
103	7700501030	WHEEL	ROUE	2	\$10.29
104	7700501040	WHEEL SUPPORT	SUPPORT DES ROUES	1	\$17.19
105	7700501050	HEX. BOLT	BOULON HEXAGONAL	8	\$1.67
106	7700501060	VERTICAL BAR	BARRE VERTICALE	2	\$11.44
107	7700501070	HEX. BOLT	BOULON HEXAGONAL	2	\$2.13
108	7700501080	UPPER SUPPORT	SUPPORT DU HAUT	1	\$14.89
109	7700501090	PLASTIC CAP	CAPUCHON EN PLASTIQUE	2	\$2.82
110	7700501100	SHORT HORIZONTAL BAR	BARRE HORIZONTALE (COURTE)	1	\$13.74
111	7700501110	HEX. NUT	ECROU HEXAGONAL	3	\$1.55
112	7700501120	SPRING WASHER	RONDELLE A RESSORT	3	\$1.55
113	7700501130	WASHER	RONDELLE	3	\$1.55
114	7700501140	HEX. BOLT	BOULON HEXAGONAL	1	\$3.28
115	7700501150	MAIN SUPPORT	SUPPORT VERTICALE PRINCIPALE	1	\$28.69
116	7700501160	LONG HORIZONTAL BAR	BARRE HORIZONTALE (LONGUE)	1	\$14.89
117	7700501170	PLASTIC CAP	CAPUCHON EN PLATIQUE	1	\$2.82
555-5	7700505555	HARDWARE BAG	SAC DE QUINCAILLERIE	1	\$22.94

Pricing subject to change without prior notice. / Prix sujet à changement sans préavis.

## Free Manuals Download Website

<http://myh66.com>

<http://usermanuals.us>

<http://www.somanuals.com>

<http://www.4manuals.cc>

<http://www.manual-lib.com>

<http://www.404manual.com>

<http://www.luxmanual.com>

<http://aubethermostatmanual.com>

Golf course search by state

<http://golfingnear.com>

Email search by domain

<http://emailbydomain.com>

Auto manuals search

<http://auto.somanuals.com>

TV manuals search

<http://tv.somanuals.com>